



WATER SYSTEMS

www.starwatersystems.com

POWERFLUSH OPTIMA PRO

MODELS #S2004, S2006

Product information presented here reflects conditions at time of publication. Consult factory regarding discrepancies or inconsistencies.

Español p. 25



For missing, damaged parts or technical help, Call

1-800-742-5044

before returning product

ATTACH YOUR RECEIPT HERE

Purchase Date _____

MODEL NO.	_____
DATE CODE:	_____
DATE INSTALLED:	_____

SW1718 A

SAFETY INFORMATION

Please read and understand this entire manual before attempting to assemble, operate or install the product. Inspect all materials before installation. If parts are damaged or missing, call 1-800-742-5044 before returning to your retailer.

WARNING



ELECTRICAL SHOCK HAZARD.

To help reduce the risk of electrical shock, a properly grounded receptacle or control box of grounding type must be installed and protected by a ground fault circuit interrupter (GFCI) in accordance with the National Electrical Code and applicable local codes. Never remove ground pin from plug.

ELECTRICAL SHOCK HAZARD.

Make certain that the ground fault interrupter protected receptacle is within reach of the pump's power supply cord. **DO NOT USE AN EXTENSION CORD.** Extension cords that are too long or too light do not deliver sufficient voltage to the pump motor. But more important, they could present a safety hazard if the insulation were to become damaged or the connection end were to fall into a damp or wet area.

ELECTRICAL SHOCK HAZARD.

Make sure the pump's electrical supply circuit is equipped with fuses or circuit breakers of proper capacity. A separate branch circuit, sized according to the National Electrical Code for the current shown on the pump name plate is recommended (see Note 3).

ELECTRICAL SHOCK ALERT.

TESTING FOR GROUND. As a safety measure, each electrical outlet should be checked for ground using an Underwriters Laboratory Listed circuit analyzer which will indicate if the power, neutral and ground wires are correctly connected to your outlet. If they are not, call a qualified licensed electrician.

ELECTRICAL SHOCK ALERT.

FOR YOUR PROTECTION ALWAYS DISCONNECT PUMP FROM ITS POWER SOURCE BEFORE HANDLING. If pump is wired direct, de-energize the circuit at the control box. Grounded pumps are supplied with a 3-prong grounded plug to help protect you against the possibility of electrical shock. **DO NOT UNDER ANY CIRCUMSTANCES REMOVE THE GROUND PIN.** To reduce the risk of electrical shock, a properly grounded receptacle of grounding type must be installed and protected by a ground fault circuit interrupter (GFCI) in accordance with National Electrical Code and applicable local codes.

WARNING



ELECTRICAL SHOCK ALERT.

Installation and checking of electrical circuits and hardware should only be performed by a qualified licensed electrician.

PROP65 WARNING FOR CALIFORNIA RESIDENTS:

Cancer and Reproductive Harm - www.P65Warnings.ca.gov

CAUTION

PRODUCT DAMAGE MAY RESULT

This unit is not designed to handle any material other than human waste and toilet paper. The following list includes, but is not limited to, items that should not be used with this system: Feminine sanitary products, condoms, cotton balls and swabs, baby wipes, paper towels, etc.

PRODUCT DAMAGE MAY RESULT

Check to be sure your power source is adequate to handle the amperage requirements of the motor as indicated on the pump or unit I.D. tag.

PRODUCT DAMAGE MAY RESULT

All plumbing (discharge and vent lines) must be installed to meet local codes. Unit must be vented. Do not use an automatic plumbing vent device. Toilet will not flush.

PRODUCT DAMAGE MAY RESULT

Maximum operating temperature for models S2004 / S2006 must not exceed 130°F (54°C). Duty cycle should not exceed 30 seconds on/30 seconds off.

PRODUCT DAMAGE MAY RESULT

Do not use cleaning products containing bleach in the toilet tank, toilet or attached fixtures as they will degrade the pump seals.

EXPLOSION ALERT

Risk of explosion. Do not use the pump for flammable liquids such as diesel oil, petrol or similar liquids.

NOTES:

Repair and service should be performed by an Authorized Service Station only. (Consult Factory.)

Recommended for installations up to 20-ft total dynamic head. Consult Factory if installation is above 15-ft vertical height in 1-in pipe. Mini-grinder Pump is designed for use in PowerFlush Optima Pro units only. It is not designed for use in any other application.

Mini-grinder pump is rated for 115V, 60 Hz, 9.6 Amps, .5 HP.

Pumps with the "UL" mark and pumps with the "US" mark are tested to UL Standard UL778. CSA Certified pumps are certified to CSA Standard C22.2 No. 108. PowerFlush Optima units only. It is not designed for use in any other application. The IP rating is certified and issued by the CSA group. IP68 requires that the product be sealed against all dust and also against water for at least a depth of 2m for 30 minutes.

S2004 and S2006 toilets utilize 1.28 gallons per flush.

All fixtures connecting to the system must be on the same floor level.

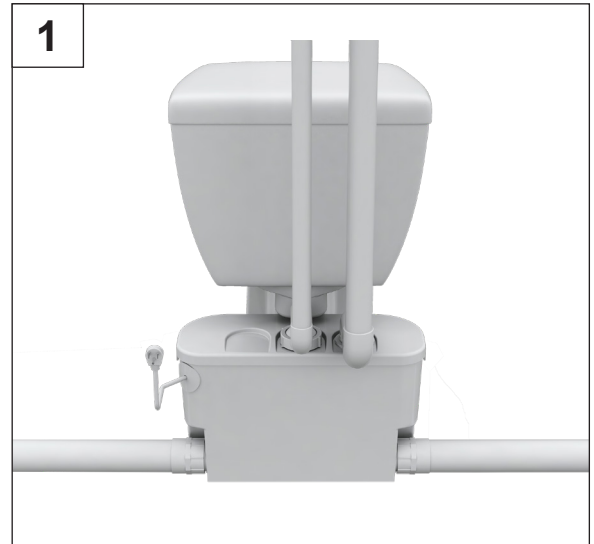
GENERAL PUMP USES

The Powerflush Optima Pro allows you to add a bathroom in a variety of residential locations:

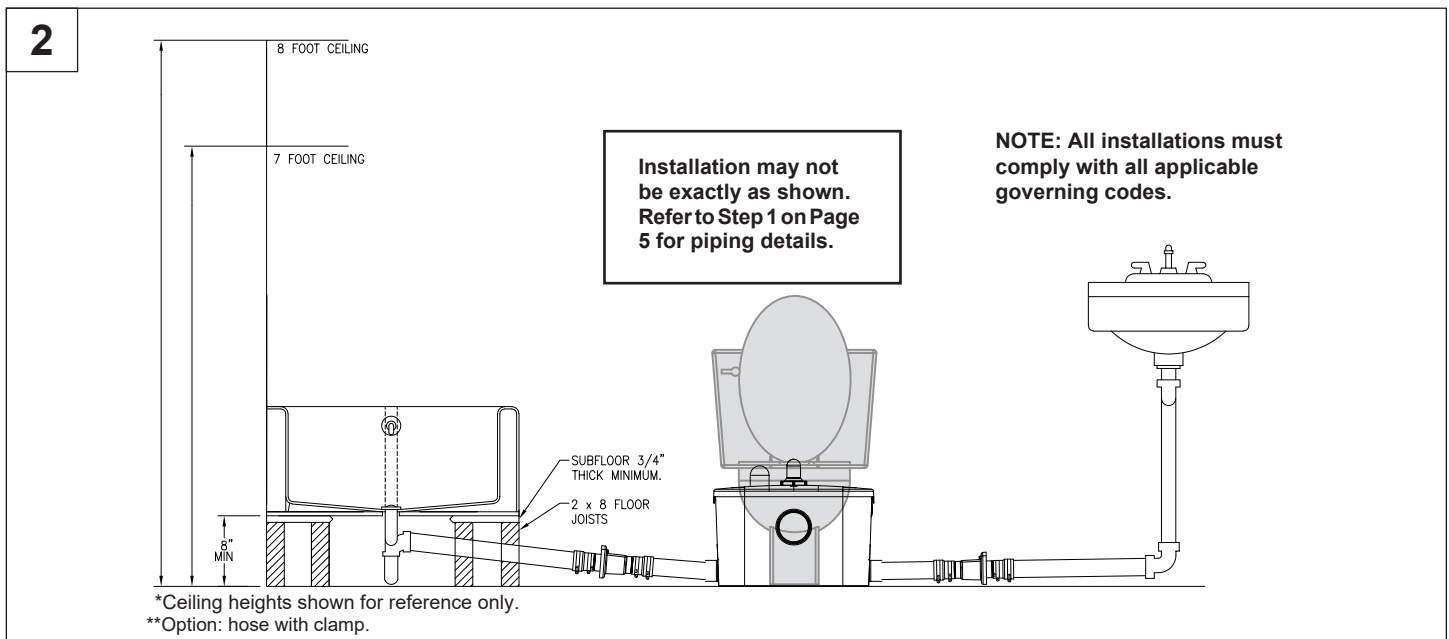
Basements
New Homes
Cabins
Additions

Workshops
Garages
Slab Construction

1. The patented grinder/tank system is designed to move waste water and sewage up to existing sewer lines recommended for installations up to 20-ft. total dynamic head.

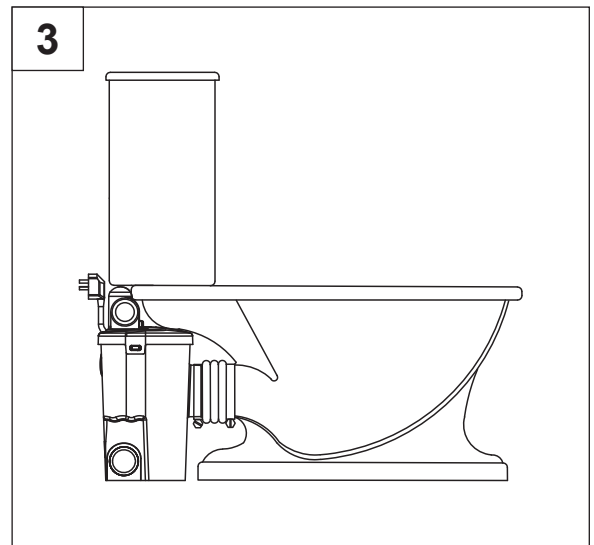


2. Multiple fixtures can drain into Powerflush Optima Pro, allowing you to include a bath or shower as well as a vanity sink. Simply plumb these additional items directly to the grinder/tank unit.

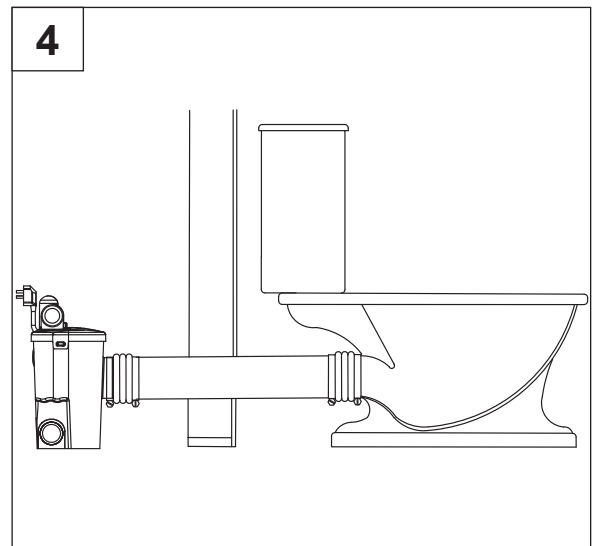


GENERAL PUMP USES (CONTINUED)

3. Exposed Installation (grinder/tank unit is visible behind toilet).



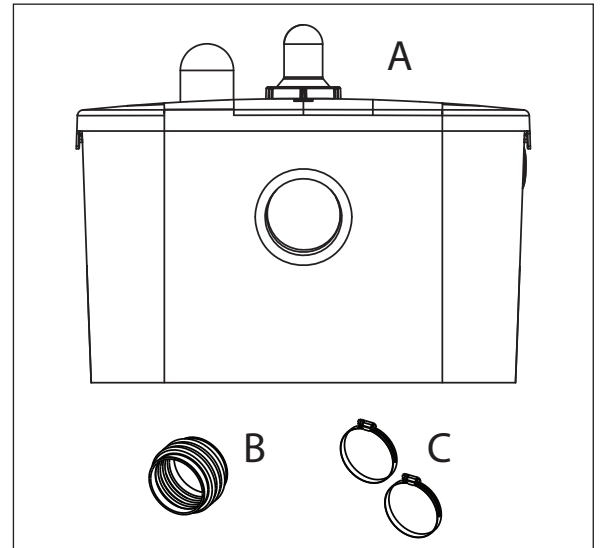
4. Hidden Installation (grinder/tank unit is hidden behind wall). For installation behind a wall, extension kit 023260 (sold separately) is required.



PACKAGE CONTENTS

Part	Description	Quantity
A	1/2 HP mini-grinder pump unit with discharge fittings	1
B	Rubber coupling	1
C	Clamps for rubber coupling	2
*	Installation instructions	1

*Not Shown



NOTE: For installations with pump unit hidden behind a wall, purchase extension kit 023260.



IL1764

PREPARATION

Before beginning installation of product, make sure all parts are present. Compare parts with package contents list. If any part is missing or damaged, do not attempt to assemble the product.

Estimated Installation Time: 5 hours for non-hidden installation or additional fixtures.

Tools Required for Assembly (not included): tape measure, pipe tape, hacksaw, flathead screwdriver, 2-step PVC glue system (primer and sealer), hydraulic cement or other material

Powerflush Pro Model 025566



INSTALLATION TIPS

Helpful Hints For Easy Installation

Read all instructions before beginning installation.

Be sure the floor is level within 1/8-in (3 mm).

Install vent pipe seal with flange side of seal on outside of lid.

Use soapy water to lubricate all seals to aid installation.

Install rubber coupling/union in vent line to aid disassembly.

Do not over torque toilet mounting screws.

Do not use an automatic plumbing vent device.

Obtain model number and date code, and record information in the space provided on the front of this manual. Refer to this information when calling factory.

Do's And Don'ts For Installing A Unit

DO read all installation material with the unit.

DO inspect unit for any visible damage caused by shipping. Contact dealer if unit appears to be damaged.

DO clean all visible debris from the unit.

DO always disconnect pump from power source before handling. DO always connect to a separately protected and properly grounded ground fault protected circuit. DO NOT ever cut, splice or damage power cord. DO NOT carry or lift pump by its power cord. DO NOT use an extension cord.

DO install a ball or gate valve and a union in the discharge line downstream of the check valve.

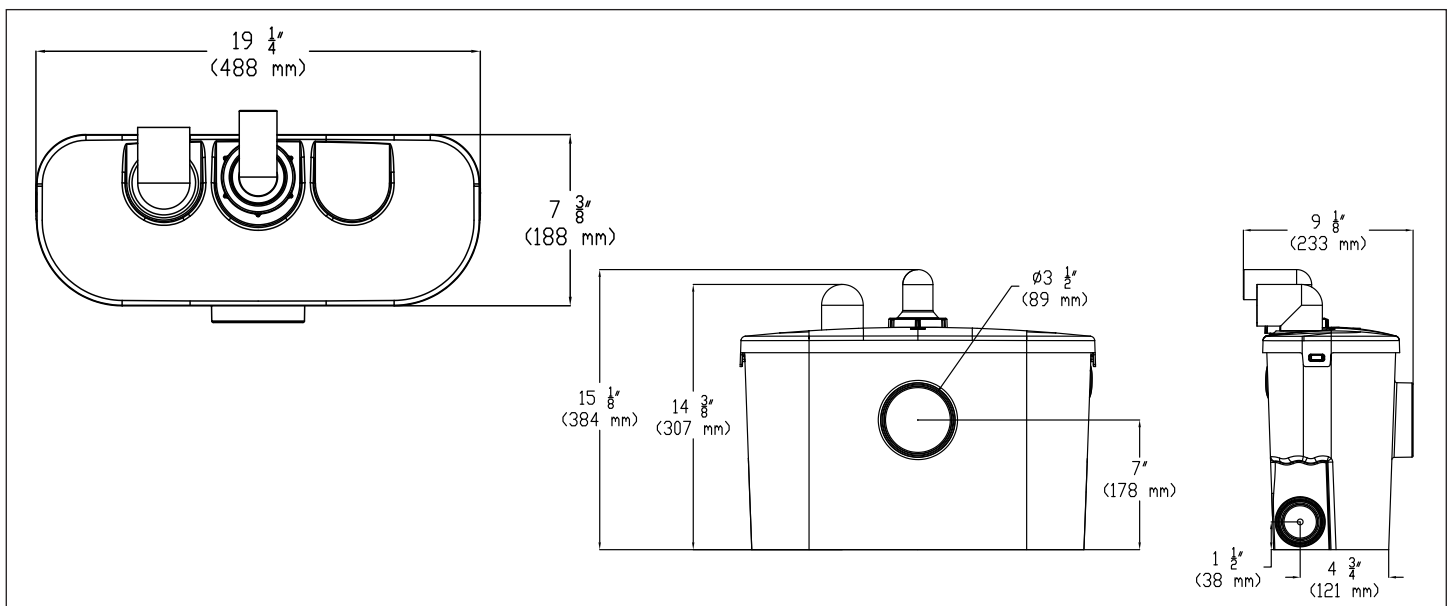
DO test pump immediately after installation to be sure that the system is working properly.

DO review all applicable local and national codes and verify that the installation conforms to each of them.

We DO NOT recommend this product be connected to utilities other than those found in a normal bathroom application. Washing machines and dishwashers are examples of equipment that we Do Not recommend.

DO inspect and test system for proper operations at least every 3 months.

DIMENSIONS



LOCATION SELECTION

1. Plan your new installation carefully.

Floor: The floor should be structurally sound and level within 1/8-in (3 mm). If the floor is not level, use hydraulic cement or similar material to level the floor.

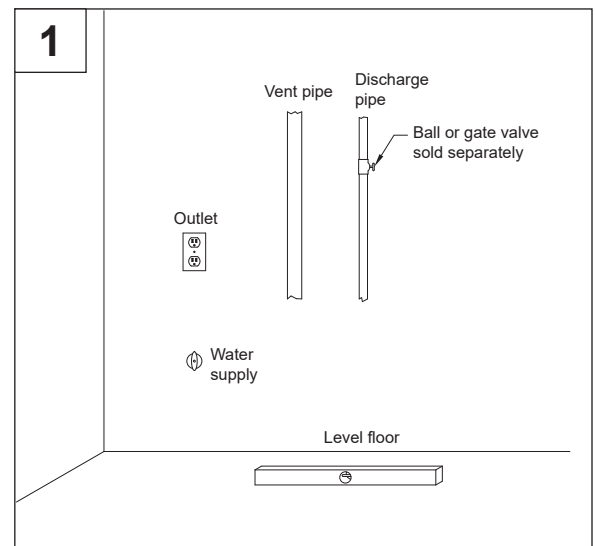
Water: A water supply will be needed to operate the toilet. Usually a 1/2-in (DN15) line with a shut-off valve is sufficient.

Electrical: A receptacle of the appropriate voltage will be needed to supply electrical power to the pump.

Sewage: Access to a sewage line is required. The Powerflush Optima Pro requires a 1-in (DN25) (or 3/4-in [DN20] if local code allows it) sewage discharge line to connect to an existing sewage line. A ball or gate valve should be installed in the discharge line.

Vent: Access to a vent pipe is required in some markets. The use of a mechanical vent system is NOT recommended as the toilet will not flush.

NOTE: If a built-in installation is to be used, locate the pump unit in an area that will allow access to the pump and switch.



⚠ WARNING

Always disconnect power source before attempting to install, service or maintain the system. Never handle a pump with wet hands or when standing on wet or damp surface or in water. Fatal electrical shock could occur.

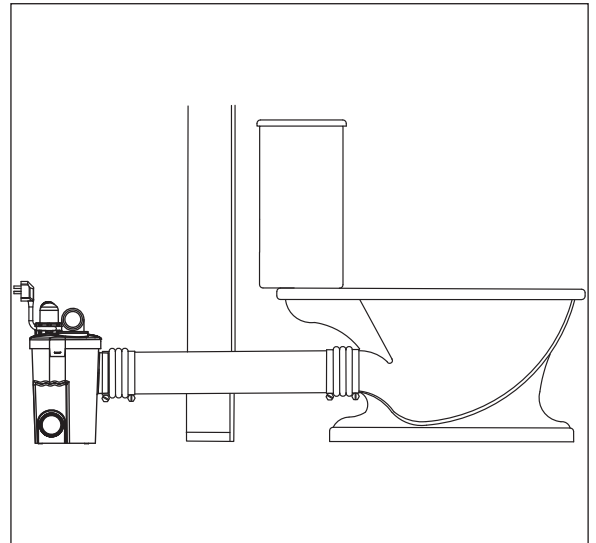
LEVELING PUMP UNIT

⚠ CAUTION

Do not use wooden shims to level the pump unit.

⚠ CAUTION

Ensure that nails, screws or other sharp objects do not puncture the pump unit. Level the pump unit to within 1/8-in (3 mm) using hydraulic cement or similar material.

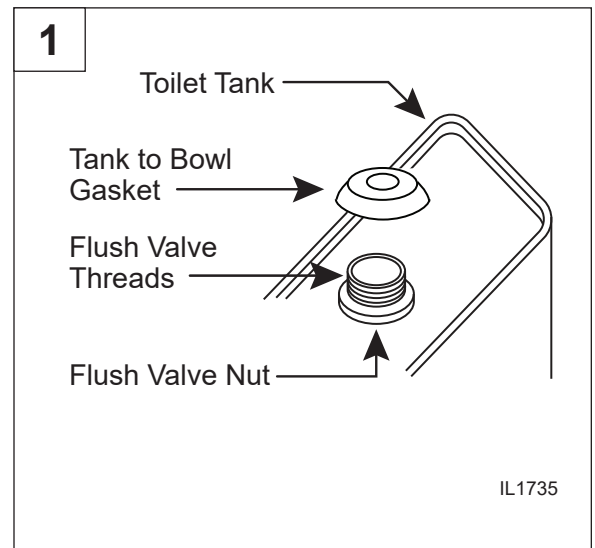


TOILET ASSEMBLY

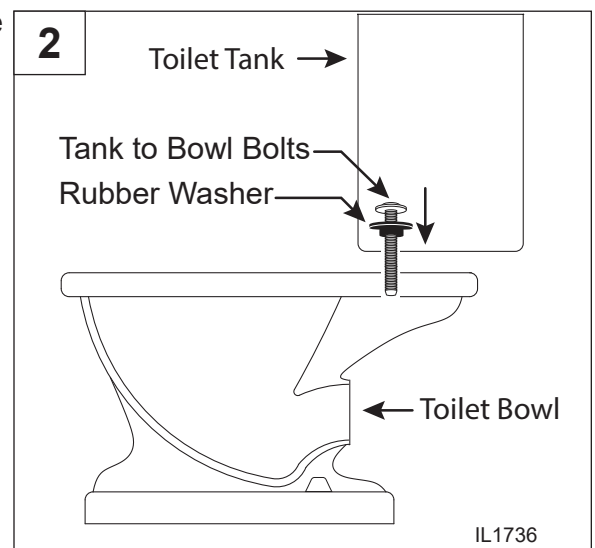
1. Turn the toilet tank upside down and rest on protective padding. Install the tank to bowl gasket over the bottom threads of the flush valve, making sure that the tank gasket covers the flush valve nut and the tapered side is toward the bowl.

CAUTION: Do not use pipe dope on any plastic or rubber parts.

CAUTION: Be careful when tightening bolts or nuts against china to prevent cracking the china.



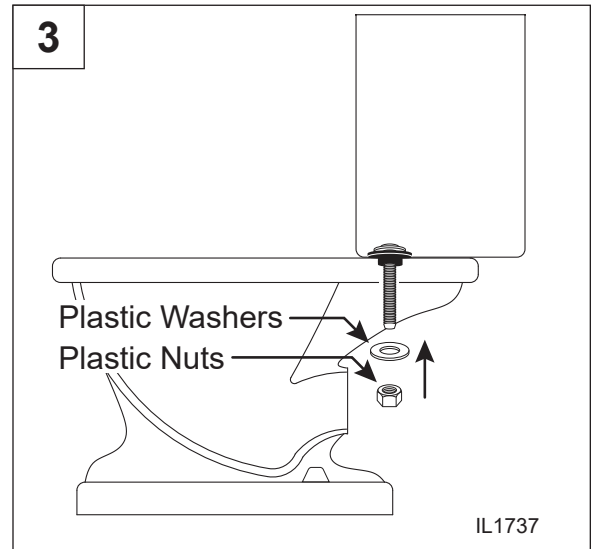
2. Lift the toilet tank right side up and position the tank on the bowl by centering the gasket and aligning holes on the bowl. Install tank to bowl bolts and rubber washers with narrow side down, through the tank and bowl.



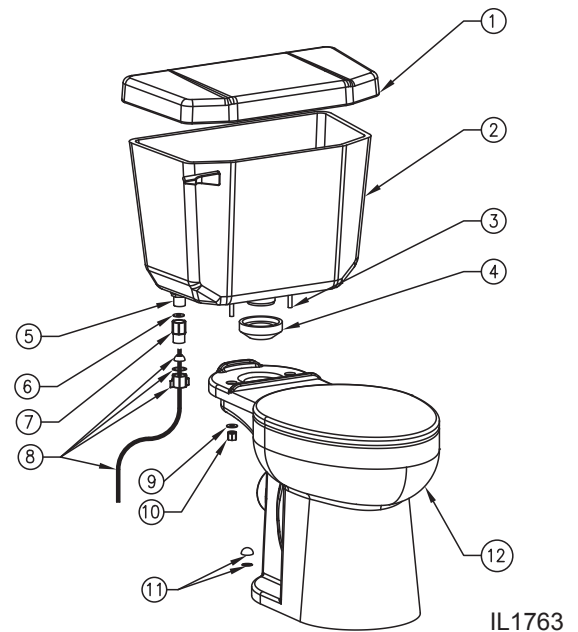
TOILET ASSEMBLY (CONTINUED)

3. Push down on the top of the toilet tank one side at a time while tightening plastic washers and nuts under the bowl. Alternate tightening nuts to achieve a watertight seal, while make sure the bowl and tank are level.

CAUTION: Do not over tighten or china may crack.

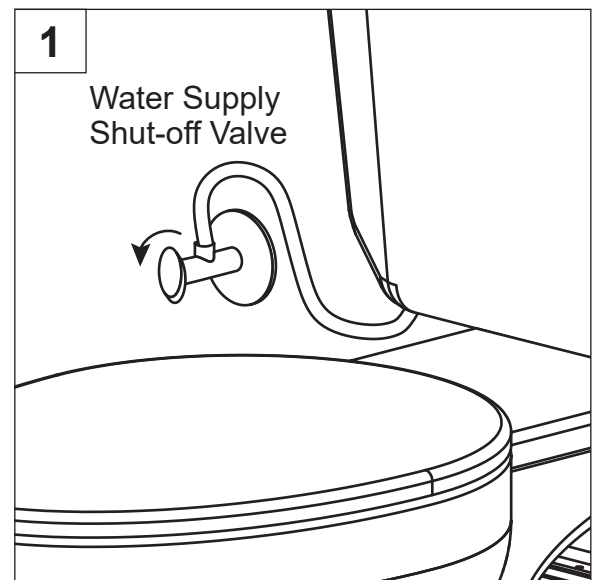


Item	Description
1	Toilet tank cover
2	Toilet tank
3	Toilet tank to toilet bowl gasket bolts
4	Rubber toilet tank to toilet bowl gasket
5	Water supply connection
6	Water supply line rubber seal
7	Water supply line adapter
8	Water supply line (not included)
9	Plastic flat washer
10	Plastic nut
11	Bolt cover
12	Toilet bowl



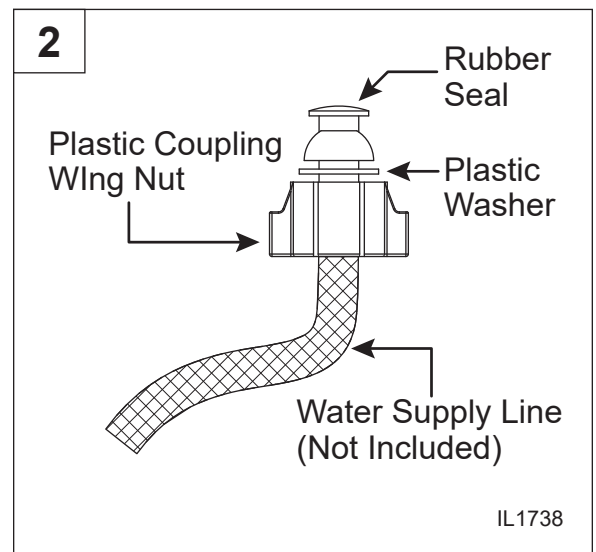
WATER SUPPLY HOOKUP

1. Make sure the incoming water supply is turned off.



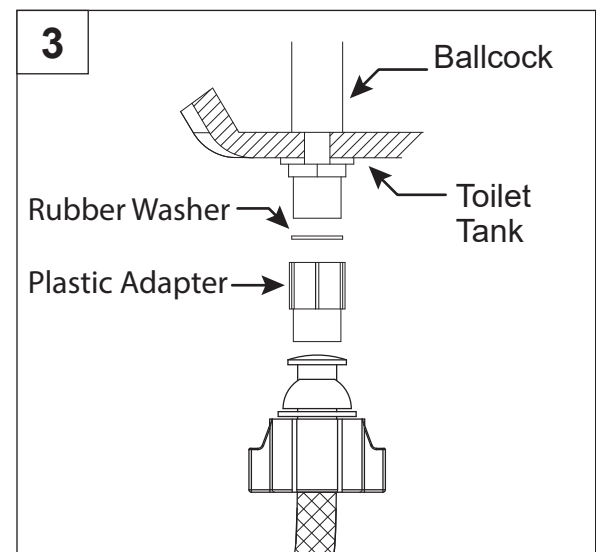
WATER SUPPLY HOOKUP (CONTINUED)

2. Insert the plastic coupling wing nut, plastic washer and rubber seal over the end of the water supply line (not included).



3. Connect the water supply line to the ballcock shank that extends below the toilet tank by tightening the plastic adapter with rubber washer over the end of the ballcock shank.

CAUTION: Do not over tighten. Ballcock shank may split and void the warranty.



ROUGH-IN

CAUTION

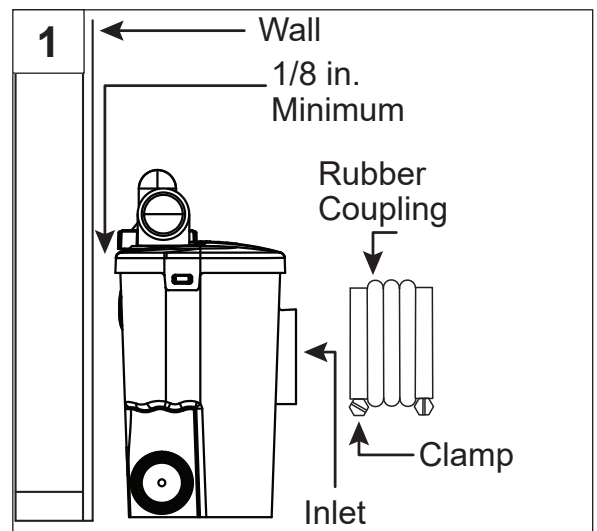
Toilet assembly is top heavy. Take special precautions to ensure that toilet does not tip over and break.

Connect the rear discharge toilet to the front inlet of the Powerflush Optima Pro via hose clamps. Ensure the connections are according to local, regional and state codes.



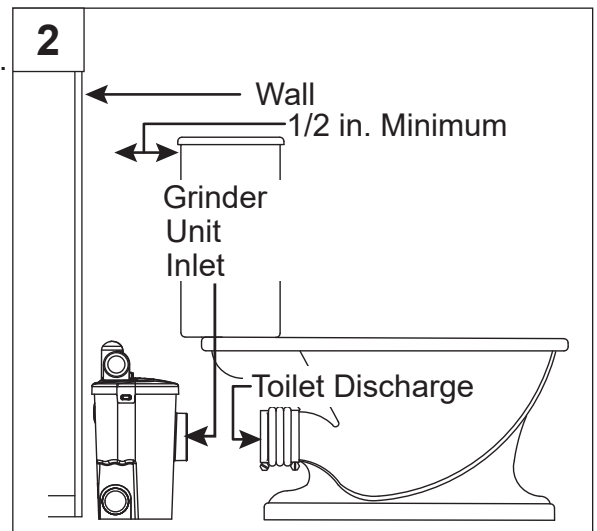
ROUGH-IN - EXPOSED PUMP UNIT INSTALLATION

1. Position the grinder/tank unit a minimum of 1/8-in from the wall with the inlet facing forward. Attach the rubber coupling to the inlet using the worm drive clamp provided.

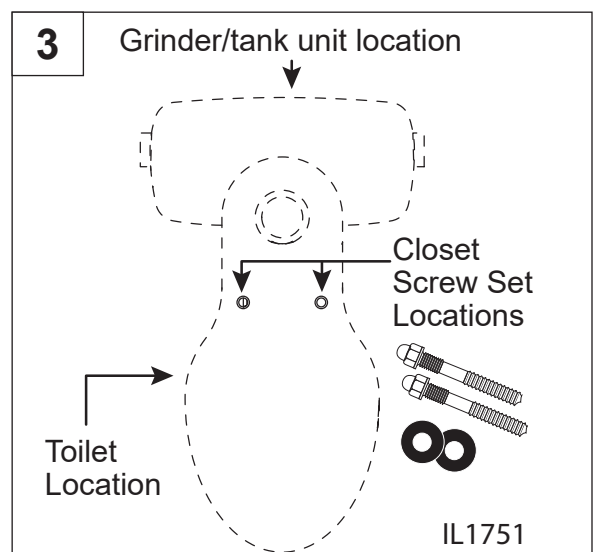


2. Place the toilet in front of grinder/tank unit; aligning the discharge of the toilet with the inlet of the grinder/tank unit. Check to be sure that the rubber coupling will bridge the gap adequately for final installation. The toilet tank should be a minimum of 1/2-in. from the wall.

CAUTION: Do not connect rubber coupling to toilet at this time.

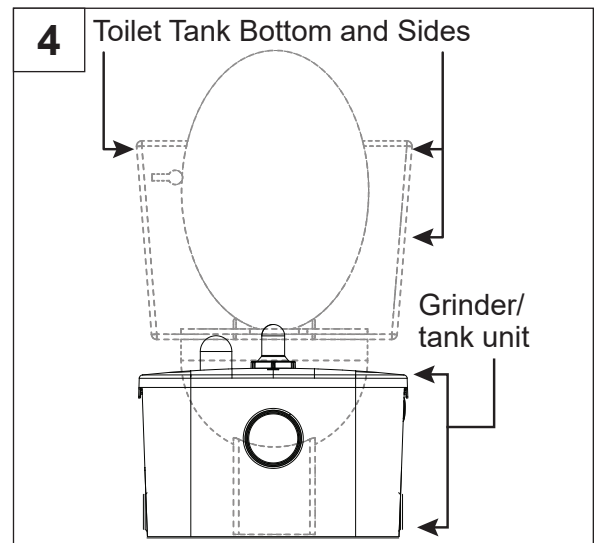


3. Lightly mark the locations of the grinder/tank unit, toilet and closet screw set locations on the floor.



ROUGH-IN - EXPOSED PUMP UNIT INSTALLATION (CONTINUED)

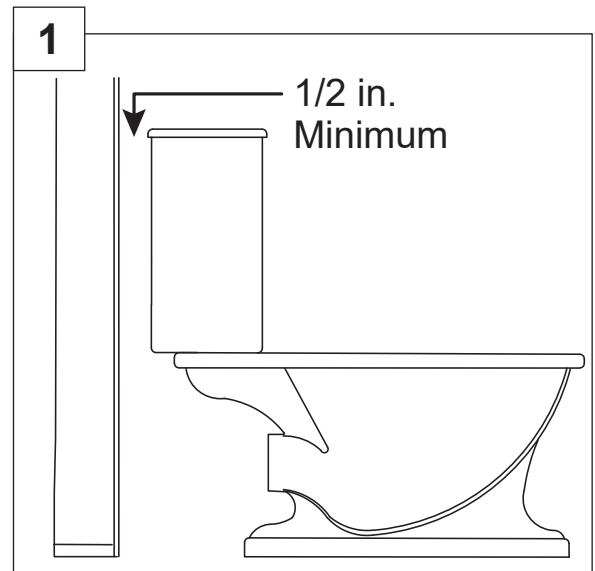
4. Lightly mark the wall with the height of the grinder/tank unit and the bottom and sides of the toilet tank to prevent interference from pipe runs during pipe installation. Remove the toilet from the grinder/tank unit and set it aside until piping is installed.



ROUGH-IN - HIDDEN PUMP UNIT INSTALLATION

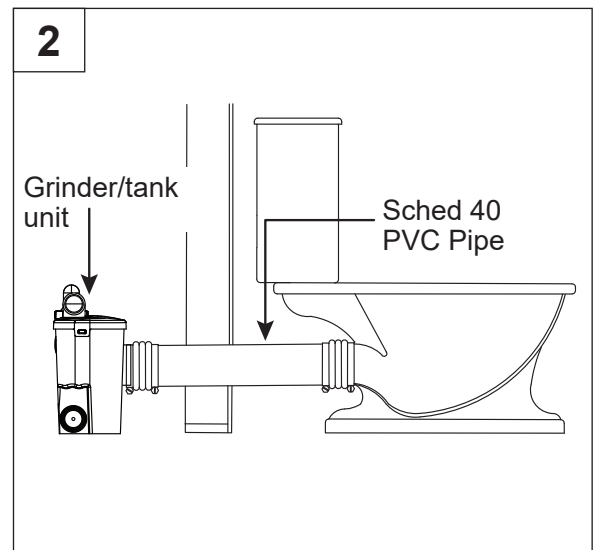
NOTE: Installing the grinder/tank unit behind a wall will require an extension kit (P/N 023260) sold separately.

1. Place the toilet assembly a minimum of 1/2-in from the wall and mark the closet screw set locations on the floor.



2. Position the grinder/tank unit behind the wall. Measure the appropriate length of 3½-in. Schedule 40 PVC pipe provided with the extension kit and cut it to length. Set toilet aside.

CAUTION: Toilet assembly is top heavy. Take special precautions to ensure that toilet does not tip over and break.



PIPING

1. Cut and dry-fit the pipe and fittings as required for 1-in (DN25) diameter discharge pipe (may be reduced to 3/4-in [DN20] diameter if local code allows it).
2. While dry-fitting the discharge pipe, position and mark the location of the pump unit discharge fitting.
3. Cut and dry-fit 1-1/2-in (DN40) vent pipe as required to ensure that the vent pipe does not interfere with other components. Make the connection to the pump unit with the provided street elbow. A 2-in x 1-in 90° discharge fitting has been provided.

⚠ CAUTION

Proper venting is required

4. Temporarily set the toilet in place to check that there is no piping interference. Remove the toilet and set it aside.
5. Clean, prime and solvent weld the discharge piping and pump unit discharge fitting.

⚠ CAUTION

When applying solvent weld to discharge fitting, ensure that none gets into the check valve assembly. Pay close attention to the proper alignment of the discharge fitting previously marked.

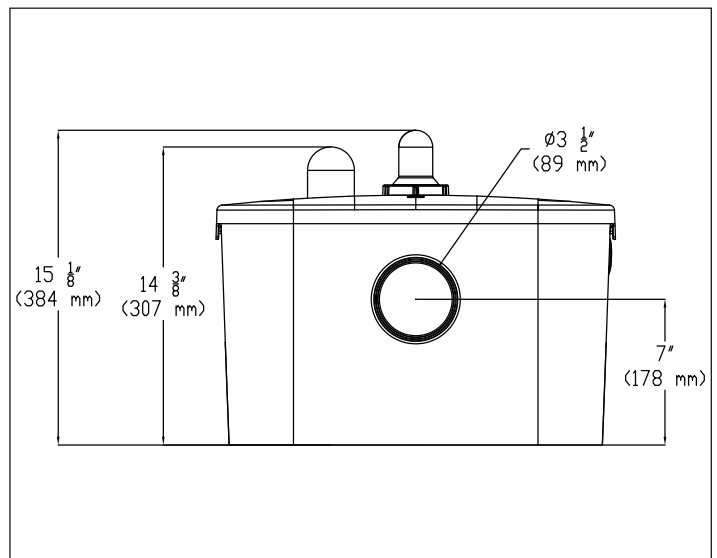
6. For markets requiring a pipe vent, clean and solvent weld the vent piping as required for proper venting.

Note: Adding other bathroom fixtures: The Powerflush Optima Pro system is designed to accept additional bathroom fixtures utilizing the

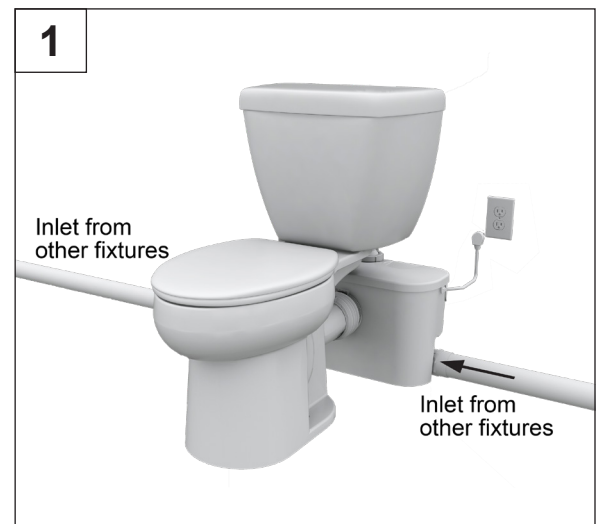
two side inlets. These inlets can be attached using the 2-in MPT (outside diameter) or the 1-1/2-in (DN40) slip (inside diameter). These inlets must have the inner portion drilled out using a 1-3/4-in (44mm) hole saw. This is to ensure there is no leakage problems from inlets not in use. When utilizing side inlets, install a check valve on the incoming line.

⚠ CAUTION

Once the side inlet opening has been drilled out, remove burrs and rough edges to avoid the potential for clogging.

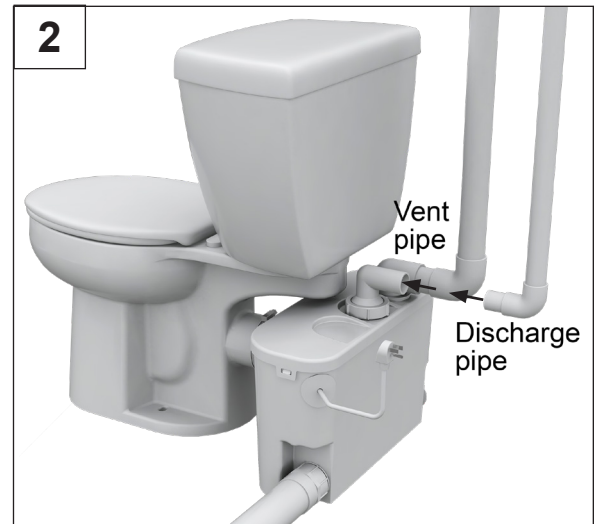


1. Connect the desired inlet pipe from other fixtures to the side inlet(s) of the Powerflush Pro. Use a 1-3/4-in (44 mm) hole saw to cut hole in side inlet(s).

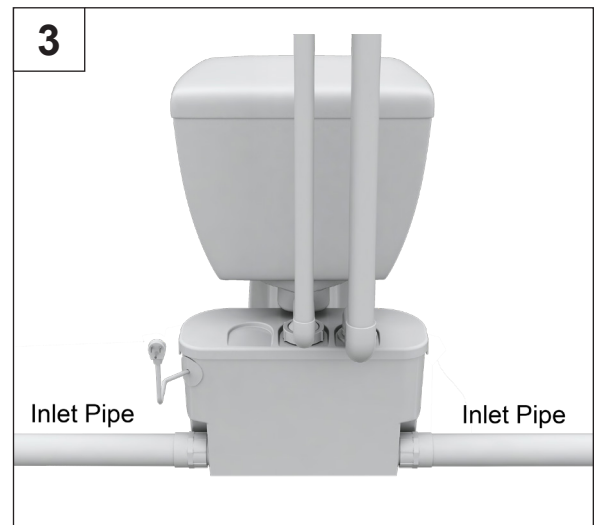


PIPING (CONTINUED)

2. Connect the discharge pipe and vent pipe to the top of the Powerflush Optima Pro.

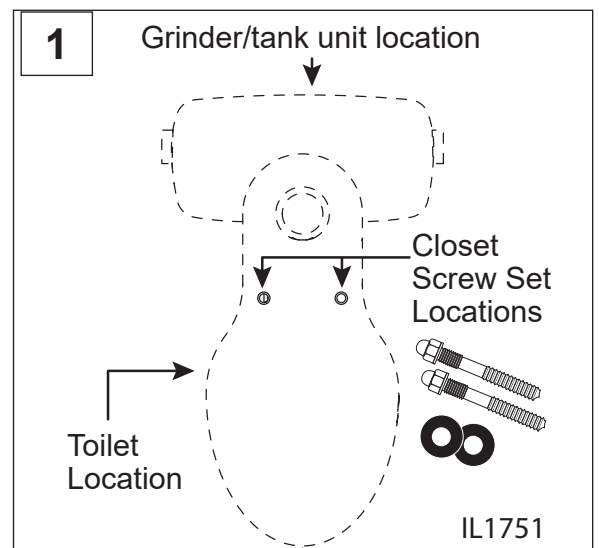


3. Connect all inlet piping to the Powerflush Pro if desired.



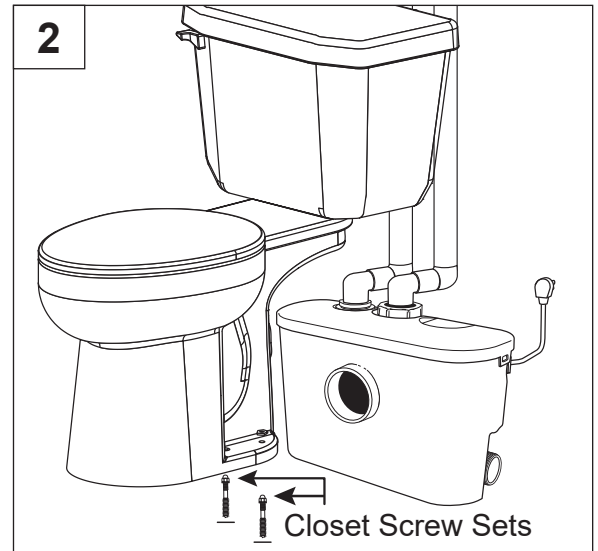
TOILET INSTALLATION

1. Pre-drill holes for closet screw sets at the points marked earlier and install screws in holes.

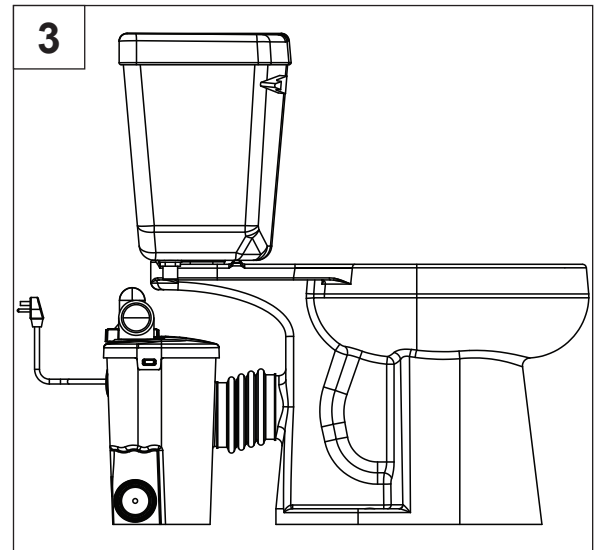


TOILET INSTALLATION (CONTINUED)

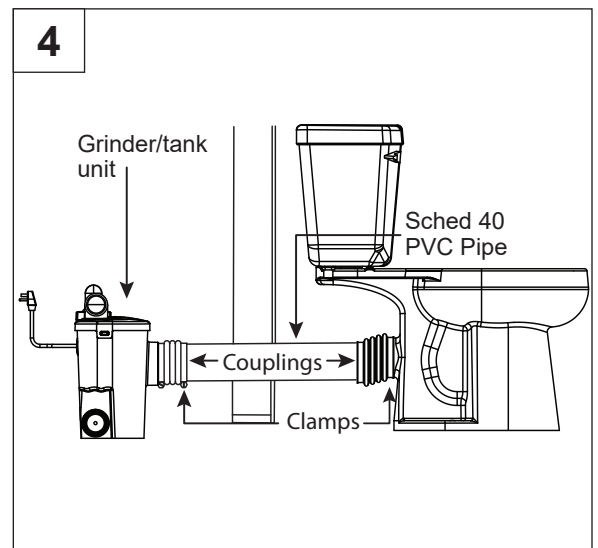
- Place the toilet assembly over the closet screw sets. Install the anchoring hardware and tighten in an alternating pattern. Check for level and shim as required. Be careful when tightening bolts or nuts against china to avoid cracking the china.



- For exposed installation, Install rubber coupling onto the toilet discharge and grinder/tank unit hub and secure with the worm clamps provided .

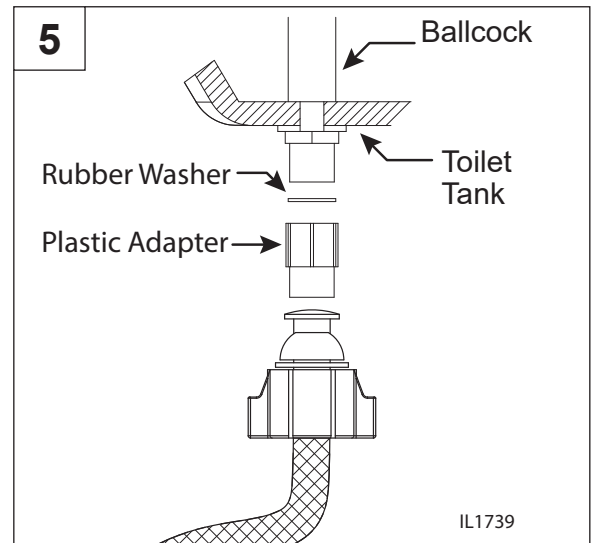


- For hidden installation, (using optional extension kit 023260) install the rubber couplings to both the grinder/tank unit and the toilet discharge and secure to extension pipe with worm clamps provided.

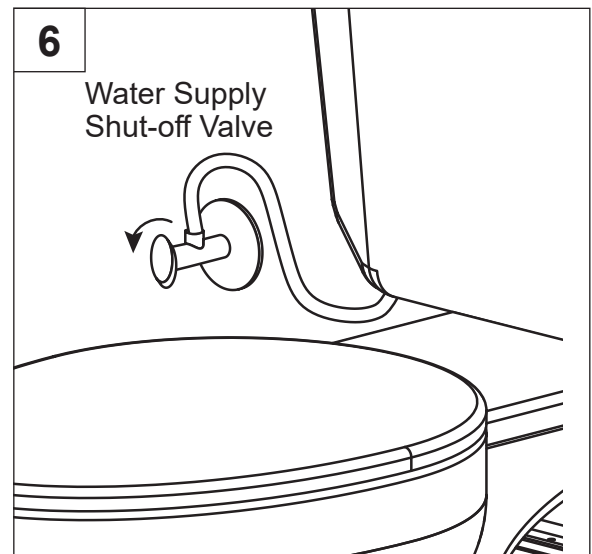


TOILET INSTALLATION (CONTINUED)

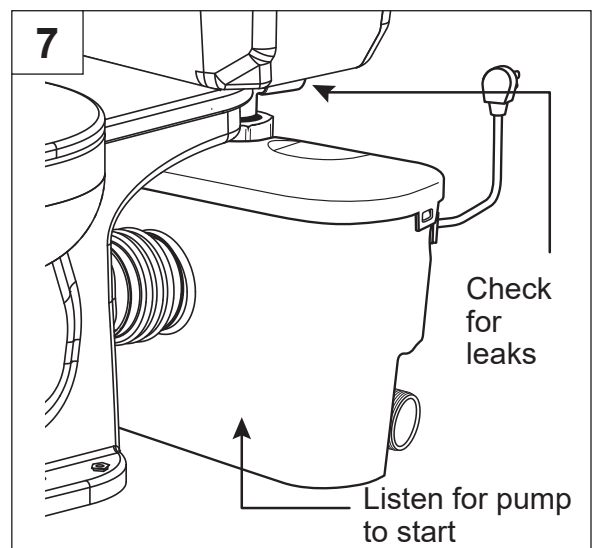
5. Install the water supply line from the existing water shut-off valve to the toilet water supply connection.



6. Open the water supply valve and check for leaks. The toilet tank should fill to the proper level. Adjust if required.

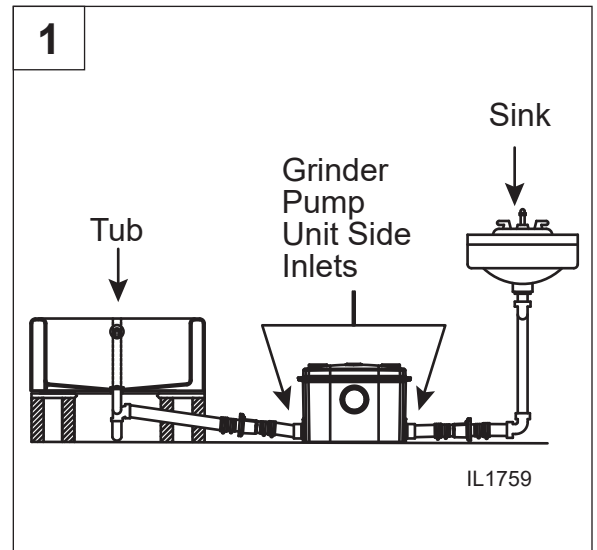


7. Flush the toilet and watch for proper operation. Listen for the pump to start. The pump unit requires proper venting in order for toilet to flush. Check for leaks. Repeat flush cycles to assure proper operation.

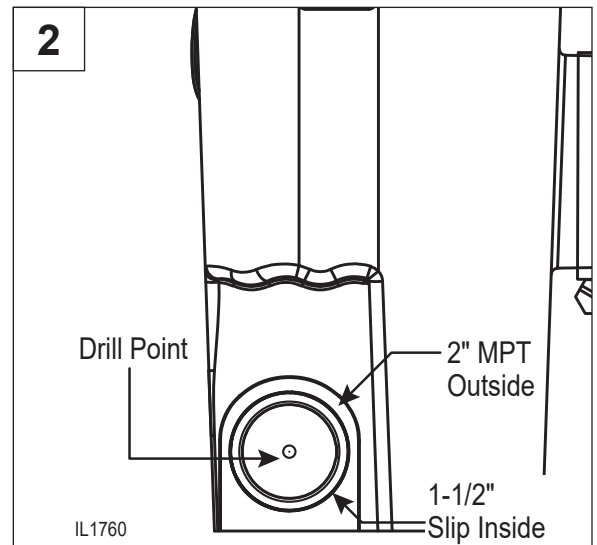


ADDING OTHER BATHROOM FIXTURES

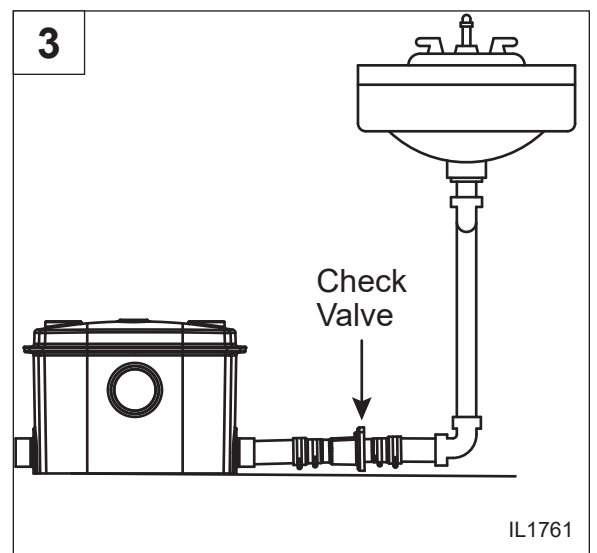
1. PowerFlush Optima is designed to accept additional bathroom fixtures utilizing the two side inlets.



2. Additional fixtures can be attached either to the 2 in. MPT (outside diameter) or the 1½-in. slip (inside diameter). These side inlets are sealed by the factory to prevent leaks when inlets are not used. Before use, these side inlets must be drilled out using a 1¾-in. hole saw.



3. When utilizing side inlets, install a check valve on the incoming line.

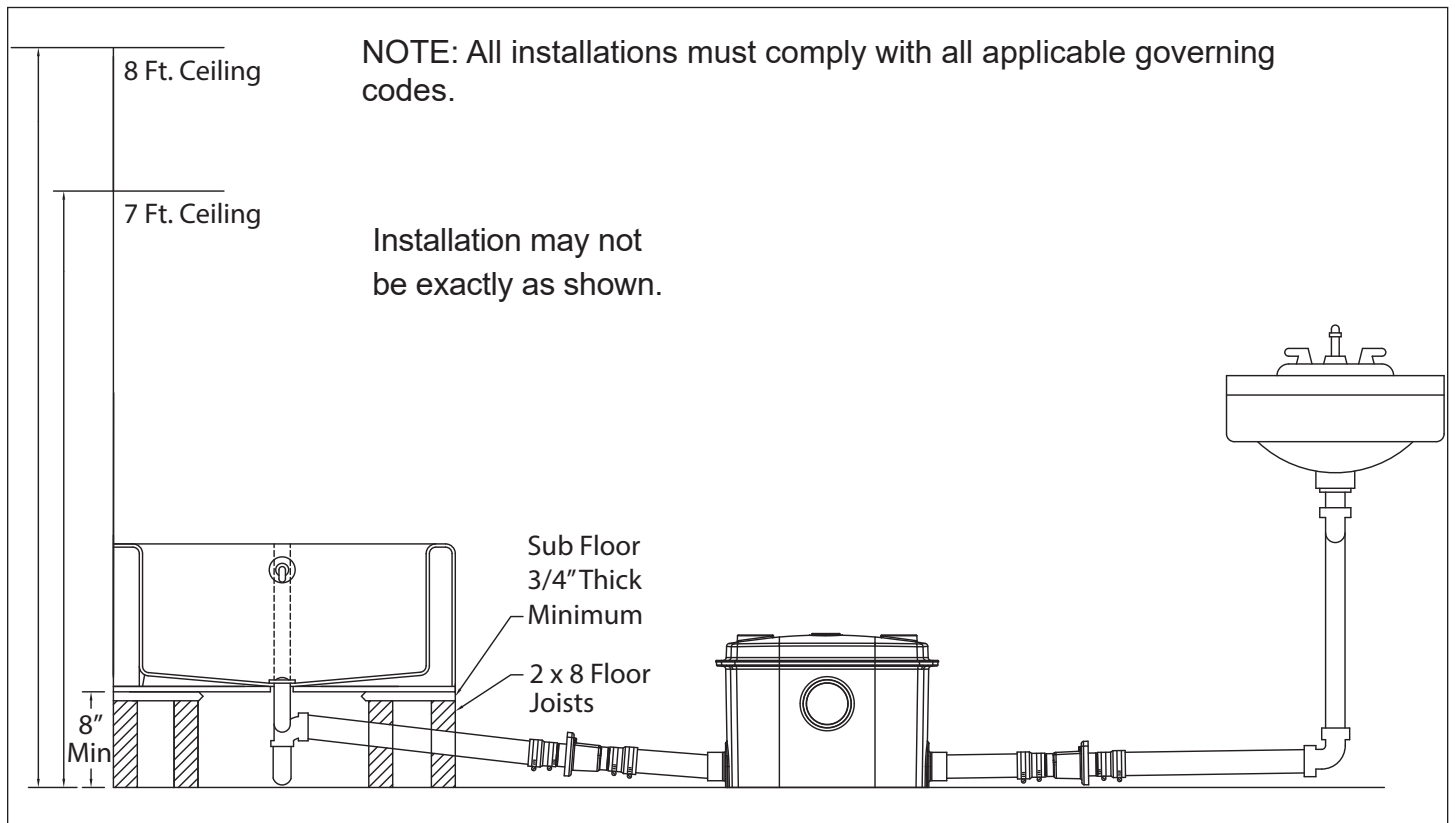


POWER

Plug the power cord into a wall socket to provide power to the unit.



TYPICAL INSTALLATION

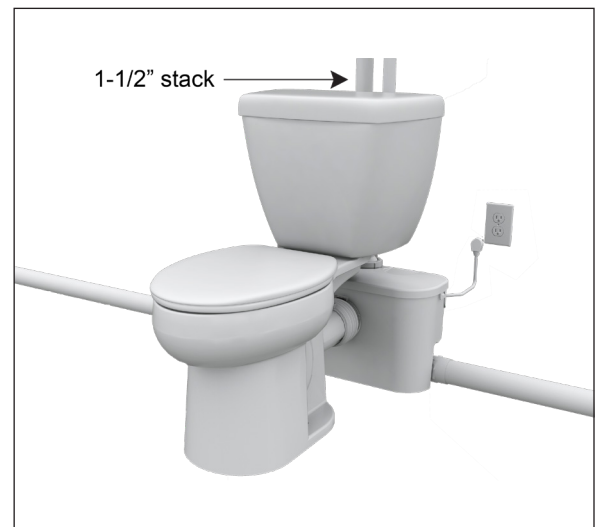


MAINTENANCE

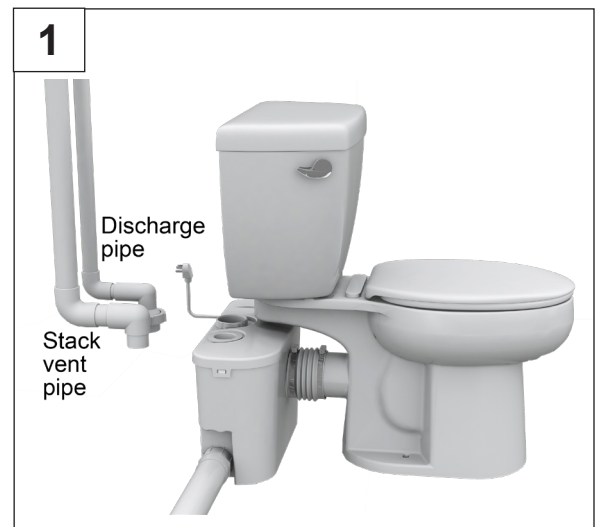
⚠ WARNING

Mechanical and Electrical Hazard.

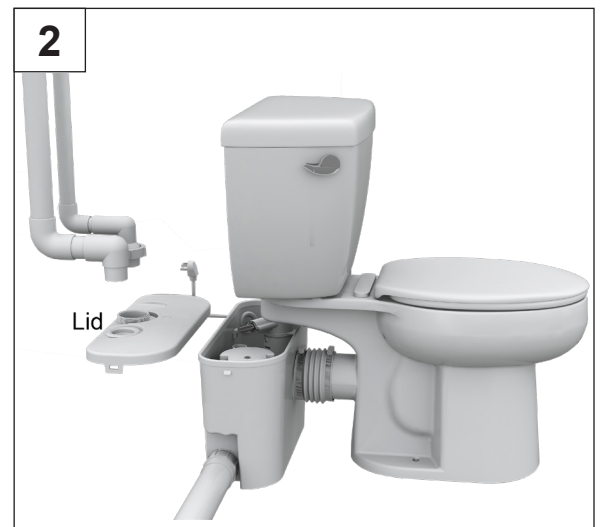
Disconnect power prior to maintenance or opening. This equipment is only to be serviced and maintained by a qualified professional.



1. Remove the stack vent pipe and discharge pipe from the top of the Powerflush Optima Pro.

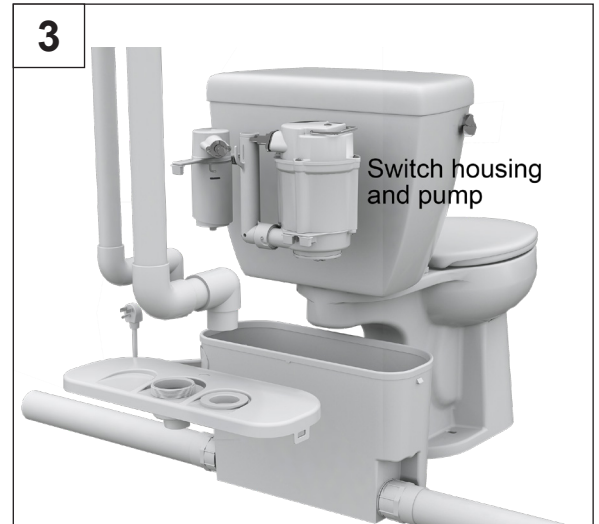


2. Take the lid off the Powerflush Optima Pro.

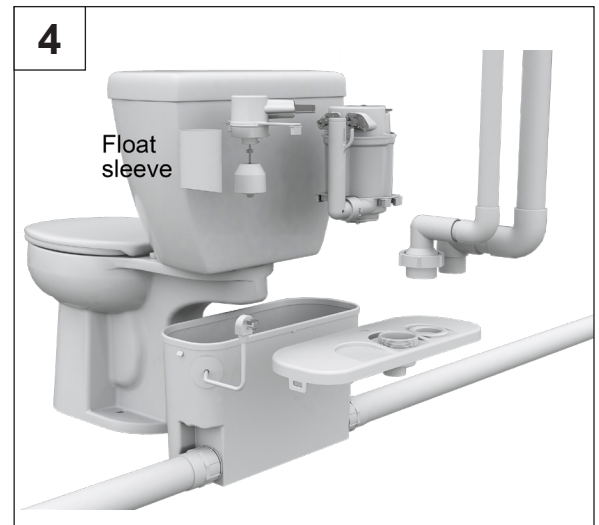


MAINTENANCE (CONTINUED)

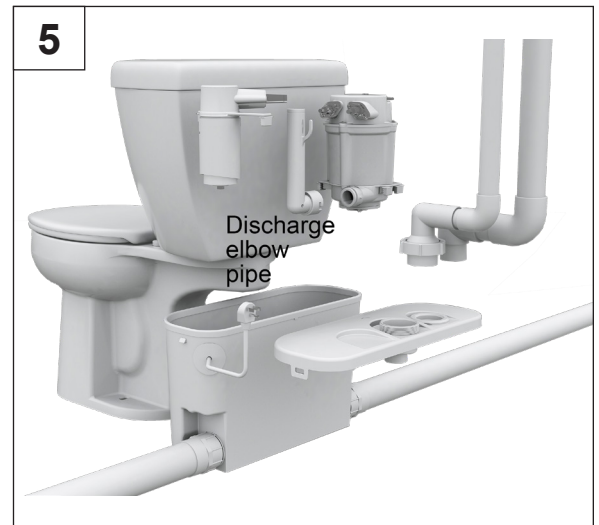
3. Lift the switch housing and pump out of the tank.



4. The float sleeve can be removed from the switch housing to clear the float of debris.

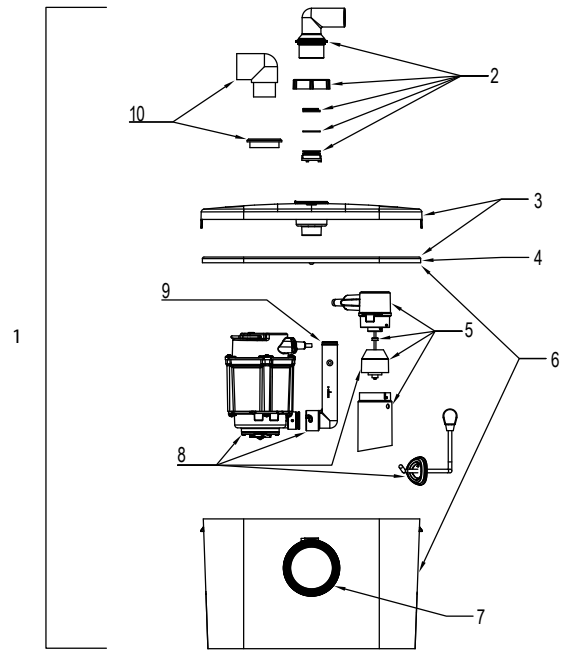


5. The discharge elbow pipe can be disconnected from the volute of the pump to be cleared of debris.

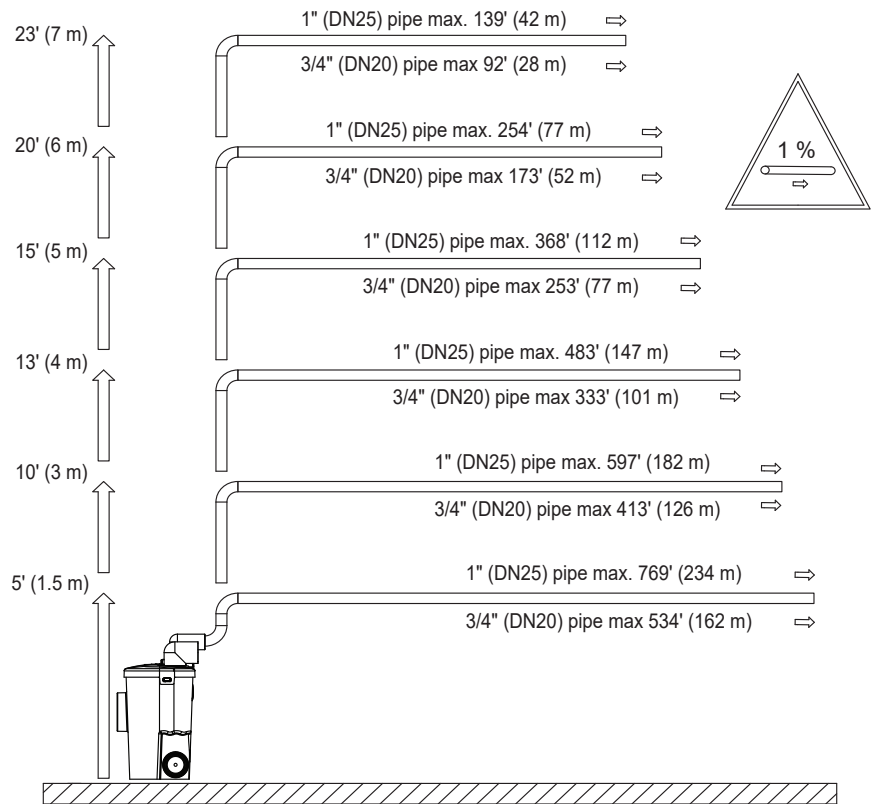
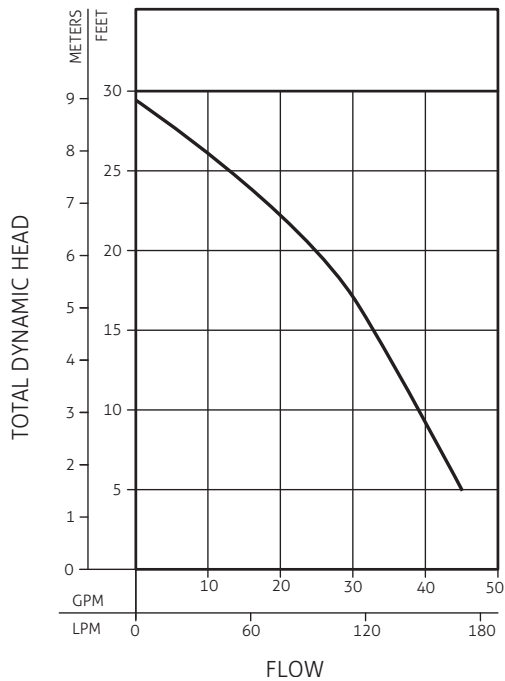


REPLACEMENT PARTS

Item	Description	Repair Kit or Part Number
1	Powerflush Optima Pro Complete system	025566
2	Outlet pipe assembly repair kit	084993
3	Tank cover repair kit	084994
4	Tank seal repair kit	085006
5	Switch housing and float repair kit	084996
6	Tank repair kit	084998
7	Bellow repair kit	084840
8	Pump repair kit	085000
9	Discharge elbow repair kit	085002
10	Vent pipe repair kit	085001



PUMP PERFORMANCE



TOTAL DYNAMIC HEAD / FLOW			
MODEL		115 V / 60 H	
Feet	Meters	Gallons	Liters
5	1.5	45	170.3
10	3.0	39	147.6
15	4.6	33	124.9
20	6.1	25	94.6
25	7.6	13	49.2
Shut-off Head		29.5 ft. (9m)	

TROUBLESHOOTING

Condition	Possible Cause	Remedy
Pump will not start or run.	Low voltage, open circuit, failed capacitor	Have a qualified electrician check fuse and circuit.
	Impeller bound and cutter bound.	Contact the Technical Service Department.
	Motor or wiring shorted.	
	Debris on float switch.	Remove debris
Pump will not shut off or runs too long before water is pumped.	Debris under float.	Remove debris from around float.
	Faulty float switch.	Contact the Technical Service Department.
	Pump is air locked.	Make sure vent hole in discharge pipe is clear.
	Waste material has accumulated blocking flow of material to pump intake.	Hold flush handle down on toilet for 15 seconds. If unit will not clear, unplug and wait 30 minutes. Plug unit back in and repeat. If unit still will not turn off, it will need to be opened and the debris removed.
Pump operates but delivers little or no water.	Debris around intake.	Clean area around intake.
	Blockage in discharge pipe.	Remove pipe and flush out debris.
	Low or incorrect voltage.	Have a qualified electrician check house wiring.
	Damaged Impeller.	Contact the Technical Service Department.
	Incorrect float adjustment.	Contact the Technical Service Department.
	Pump is air locked.	Make sure vent hole in discharge pipe is clear.
	Vertical lift too high.	Change discharge piping or contact the Technical Service Department.

If this checklist does not solve the problem, contact the Technical Service Department at 1-800-742-5044. Do not attempt to service or otherwise disassemble pump. Care of finish: Soap and water is all that is recommended for cleaning the outside of the tank. Other cleaning products may cause discoloration and scratching.

WARRANTY

This product is warranted for two years from the date of purchase. Subject to the conditions hereinafter set forth, the manufacturer will repair or replace to the original consumer, any portion of the product which proves defective due to defective materials or workmanship. This warranty does not cover replacement parts for failure due to normal wear and tear. To obtain warranty service, contact the dealer from whom the product was purchased. The manufacturer retains the sole right and option to determine whether to repair or replace defective equipment, parts or components. Damage due to conditions beyond the control of the manufacturer is not covered by this warranty.

THIS WARRANTY WILL NOT APPLY:

- (a) To defects or malfunctions resulting from failure to properly install, operate or maintain the unit in accordance with printed instructions provided;
- (b) to failures resulting from abuse, accident or negligence or use of inappropriate chemicals or additives in the water;
- (c) to normal maintenance services and the parts used in connection with such service;
- (d) to units which are not installed in accordance with normal applicable local codes, ordinances and good trade practices; and
- (e) if the unit is used for purposes other than for what it was designed and manufactured.

RETURN OF WARRANTED COMPONENTS:

Any item to be repaired or replaced under this warranty must be returned to the manufacturer at Kendallville, Indiana or such other place as the manufacturer may designate, freight prepaid.

THE WARRANTY PROVIDED HEREIN IS IN LIEU OF ALL OTHER EXPRESS WARRANTIES, AND MAY NOT BE EXTENDED OR MODIFIED BY ANYONE. ANY IMPLIED WARRANTIES SHALL BE LIMITED TO THE PERIOD OF THE LIMITED WARRANTY AND THEREAFTER ALL SUCH IMPLIED WARRANTIES ARE DISCLAIMED AND EXCLUDED. THE MANUFACTURER SHALL NOT, UNDER ANY CIRCUMSTANCES, BE LIABLE FOR INCIDENTAL, CONSEQUENTIAL OR SPECIAL DAMAGES, SUCH AS, BUT NOT LIMITED TO DAMAGE TO, OR LOSS OF, OTHER PROPERTY OR EQUIPMENT, LOSS OF PROFITS, INCONVENIENCE, OR OTHER INCIDENTAL OR CONSEQUENTIAL DAMAGES OF ANY TYPE OR NATURE. THE LIABILITY OF THE MANUFACTURER SHALL NOT EXCEED THE PRICE OF THE PRODUCT UPON WHICH SUCH LIABILITY IS BASED.

This warranty gives you specific legal rights, and you may have other rights which vary from state to state. Some states do not allow limitations on duration of implied warranties or exclusion of incidental or consequential damages, so the above limitations may not apply to you.

In those instances where damages are incurred as a result of an alleged pump failure, the Homeowner must retain possession of the pump for investigation purposes.



WATER SYSTEMS

www.starwatersystems.com

POWERFLUSH OPTIMA PRO

MODELOS #S2004, S2006

La información sobre el producto presentado aquí refleja las condiciones al momento de la publicación. Consulte con la fábrica si hay discrepancias o incongruencias.



En caso de piezas faltantes o dañadas, o asistencia técnica, llame al

1-800-742-5044

antes de devolver el producto

ADJUNTE SU RECIBO AQUÍ

Fecha de compra _____

MODELO NO.: _____ CÓDIGO DE FECHA: _____ FECHA DE INSTALACIÓN: _____
--

SW1718S A

INFORMACIÓN DE SEGURIDAD

Lea y comprenda completamente este manual antes de intentar ensamblar, usar o instalar el producto.

Revise todos los materiales antes de su instalación. Si faltan piezas o estas están dañadas, llame al 1-800-742-5044 antes de volver a la tienda.

WARNING



PELIGRO DE DESCARGA ELÉCTRICA.

Para ayudar a reducir el riesgo de choque eléctrico deberá instalarse un receptáculo con conexión de tierra o una caja de control del tipo conectado a tierra, y protegerse mediante un interruptor de circuito por fallo de conexión a tierra (GFCI), de conformidad con el Código eléctrico nacional de EE.UU. (National Electrical Code) y los códigos locales aplicables. Nunca elimine el terminal de tierra del enchufe.

PELIGRO DE DESCARGA ELÉCTRICA.

Asegúrese de que el receptáculo protegido por interruptor con detección de falla a tierra esté al alcance del cable de alimentación eléctrica de la bomba. **NO USE NINGÚN CABLE DE EXTENSIÓN.** Los cables de extensión que sean demasiado largos o cortos no suministrarán suficiente voltaje al motor de la bomba. Lo más importante es que pueden representar un peligro para la seguridad si se deteriorara el aislamiento o si el terminal de conexión cayera en una zona húmeda o mojada.

PELIGRO DE DESCARGA ELÉCTRICA.

Compruebe que el circuito de suministro de energía eléctrica de la bomba esté equipado con fusibles o cortacircuitos de la capacidad adecuada. Es aconsejable usar un circuito derivado independiente con la capacidad estipulada en el Código eléctrico nacional de EE.UU. (National Electrical Code) según la corriente especificada en la placa de identificación de la bomba. (vea la Nota 3)..

ALERTA DE DESCARGA ELÉCTRICA.

PRUEBAS DE TIERRA. Como medida de seguridad, se debe verificar la conexión a tierra de cada toma de corriente eléctrica utilizando un analizador de circuitos de Underwriters Laboratory, que indicará si los cables de alimentación, neutro y de tierra están conectados correctamente a su toma de corriente. Si no lo están, llame a un electricista certificado.

ALERTA DE DESCARGA ELÉCTRICA.

PARA SU PROTECCIÓN, DESCONECTE SIEMPRE LA BOMBA DE LA FUENTE DE SUMINISTRO ELÉCTRICO ANTES DE MANIPULARLA. Si la bomba se cablea directamente a la energía eléctrica, desconecte el circuito en la caja de control. Las bombas con conexión a tierra se suministran con un enchufe de tres terminales con conexión de tierra, para ayudar a proteger al usuario contra un posible choque eléctrico. **BAJO NINGUNA CIRCUNSTANCIA ELIMINE EL TERMINAL DE TIERRA.** Para reducir el riesgo de choque eléctrico deberá instalarse un receptáculo con conexión de tierra o una caja de control del tipo conectado a tierra, y protegerse mediante un interruptor de circuito por fallo de conexión a tierra (GFCI), de conformidad con el Código eléctrico nacional de EE.UU. (National Electrical Code) y los códigos locales aplicables.

! ADVERTENCIA



ALERTA DE DESCARGA ELÉCTRICA.

La instalación y verificación de circuitos eléctricos y demás dispositivos debe ser realizada únicamente por un electricista calificado que cuente con la debida licencia.

ADVERTENCIA DE PROPOSICIÓN 65 PARA RESIDENTES DE CALIFORNIA:

Cáncer y Daño Reproductivo – www.P65Warnings.ca.gov

PRECAUCIÓN

PUEDE PROVOCAR DAÑO AL PRODUCTO

Esta unidad no está diseñada para manejar ningún otro material que no sean desechos humanos y papel higiénico. La siguiente lista incluye, entre otros, elementos que no se deben utilizar con este sistema: Productos de higiene femenina, preservativos, bolas e hisopos de algodón, toallitas para bebé, toallas de papel, etc.

PUEDE PROVOCAR DAÑO AL PRODUCTO

Cerciórese de que la fuente de suministro de energía eléctrica es adecuada para satisfacer los requisitos de amperaje del motor, lo cual se indica en la placa de identificación de la bomba o de la unidad.

PUEDE PROVOCAR DAÑO AL PRODUCTO

Todas las tuberías (líneas de descarga y ventilación) deberán instalarse de conformidad con los códigos locales. La unidad deberá colocarse en un sitio ventilado. No use dispositivos de ventilación automática de tuberías. El inodoro no descargará.

PUEDE PROVOCAR DAÑO AL PRODUCTO

La temperatura de funcionamiento máxima para los modelos S2004/S2006 no debe sobrepasar los 130 °C (54 °F). El ciclo de trabajo no debe superar los 30 segundos de encendido/30 segundos de apagado.

PUEDE PROVOCAR DAÑO AL PRODUCTO

No utilice productos de limpieza que contengan lejía en el tanque del inodoro, el inodoro o en los accesorios conectados ya que degradarán los sellos de la bomba.

ALERTA DE EXPLOSIÓN

Riesgo de explosión. No use la bomba para líquidos inflamables, como combustible diésel, petróleo o líquidos similares.

NOTAS:

El mantenimiento y la reparación de la unidad debe ser realizado por un centro de servicio autorizado únicamente. (En este sentido, consulte con la fábrica).

Recomendada para instalaciones de hasta 6 m (20') de carga dinámica total. Consulte a la fábrica si la instalación queda por encima de 4.6 m (15') de altura vertical con tuberías DN25 (1'). La minibomba trituradora está diseñada para ser usada solo en las unidades PowerFlush Optima Pro. No fue diseñada para ningún otro uso.

La minibomba trituradora tiene una capacidad nominal de 115 V, 60 Hz, 9.6 A, 0.4 kW.

Las bombas que exhiban la marca "UL", así como aquéllas que exhiban la marca "US", satisfacen la norma UL778 de Underwriters Laboratory. Las bombas certificadas por la Asociación Canadiense de Normalización (CSA) satisfacen la norma C22.2 de la CSA. 108. El grado de protección IP está certificado y emitido por el grupo CSA. La norma IP68 requiere que el producto esté sellado contra todo tipo de polvo y también contra agua para una profundidad mínima de 2 m durante 30 minutos.

Los inodoros S2004 y S2006 utilizan 4.9 litros (1.28 galones) por descarga.

Todos los accesorios que se conectan al sistema deben estar al mismo nivel.

USOS GENERALES DE LA BOMBA

Powerflush Optima Pro le permite agregar un baño en una amplia variedad de lugares residenciales:

Sótanos

Nuevas casas

Cabañas

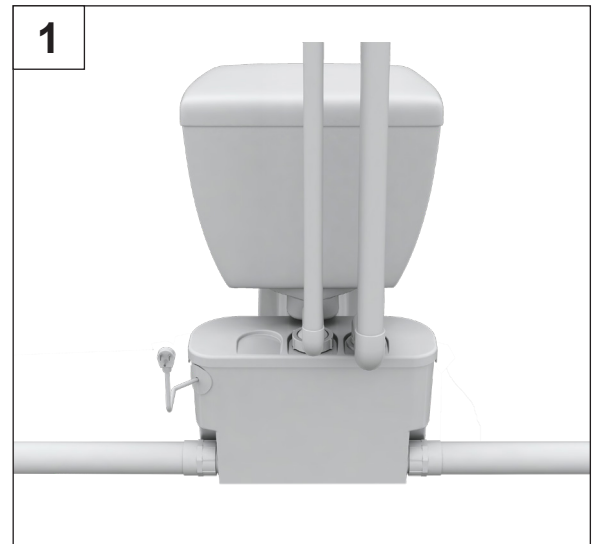
Espacios adicionales

Talleres

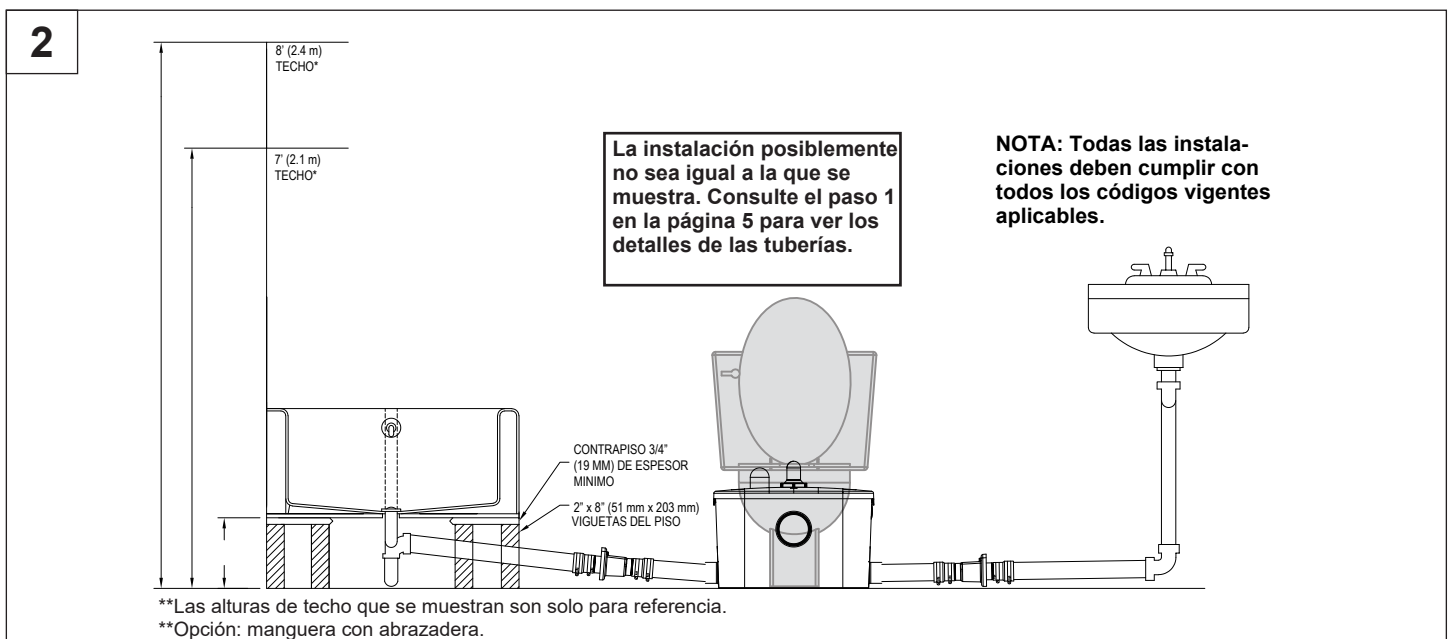
Garajes

Construcción de losas

1. El sistema patentado de trituradora/tanque está diseñado para mover las aguas residuales y las aguas negras hacia tuberías de alcantarillado existentes para instalaciones con una carga dinámica total de hasta 6 m (20').

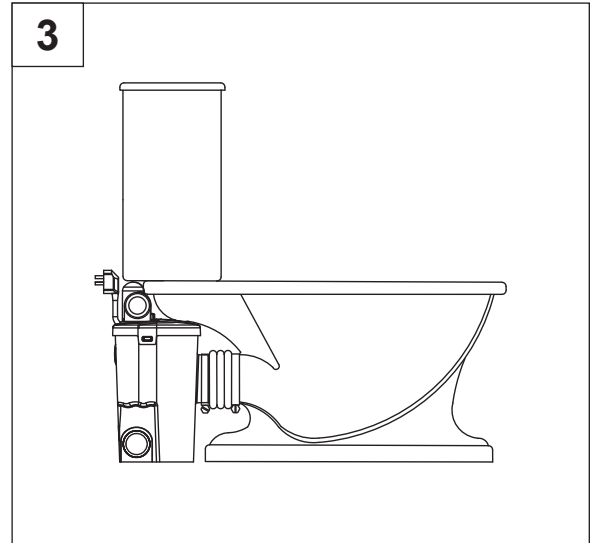


2. Varios accesorios pueden drenar en Powerflush Optima Pro, lo que le permite incluir una bañera o ducha, así como un lavabo. Solo tiene que conectar estos elementos adicionales directamente a la unidad trituradora/tanque.

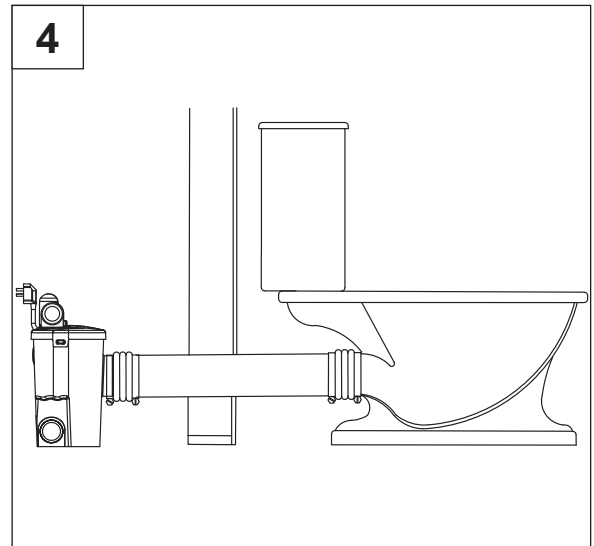


USOS GENERALES DE LA BOMBA (CONTINUACIÓN)

3. Instalación a la vista (la unidad trituradora/tanque es visible detrás del inodoro).



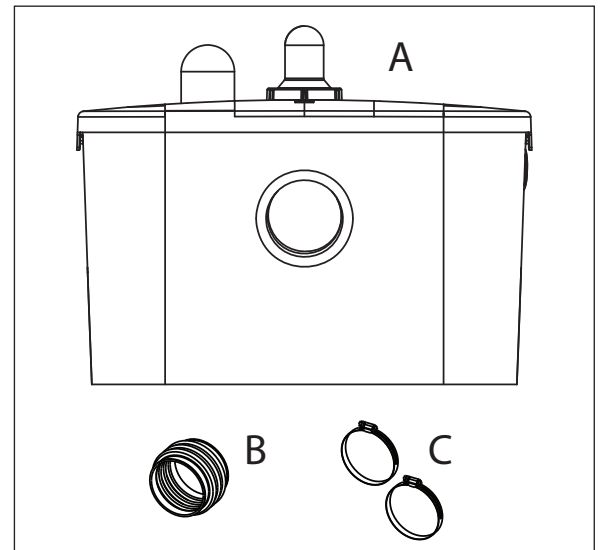
4. Instalación oculta (la unidad trituradora/tanque está oculta detrás de la pared). Para instalar detrás de una pared, se necesita el juego de extensión 023260 (se vende por separado).



CONTENIDO DEL PAQUETE

Pieza	Descripción	Cantidad
A	Unidad de minibomba trituradora de 0.4 kW con accesorios de descarga	1
B	Acople de caucho (incluidas con bomba)	1
C	Abrazaderas (incluidas con bomba)	2
*	instrucciones de instalación	1

*No mostrado



NOTE: For installations with pump unit hidden behind a wall, purchase extension kit 023260.



IL1764

PREPARACIÓN

Antes de comenzar a instalar el producto, asegúrese de tener todas las piezas. Compare las piezas con el dibujo del contenido del paquete. No intente ensamblar el producto si falta alguna pieza o si éstas están dañadas

Tiempo estimado de instalación: 5 horas para una instalación no oculta o ensambles adicionales.

Herramientas necesarias para el ensamblaje (no se incluyen): cinta métrica, cinta para tuberías, sierra de mano, destornillador de cabeza plana, sistema de pegamento PVC de 2 pasos (cebado y sellado), cemento hidráulico u otro material.

Modelo de Powerflush Pro 025566



CONSEJOS DE INSTALACIÓN

Útiles Consejos Para Una Fácil Instalación

Lea todas las instrucciones antes de iniciar la instalación.

Compruebe que el desnivel del piso no produzca un desnivel mayor de 3 milímetros (1/8 de pulgada).

Instale el sello de la tubería de ventilación con el lado de la brida del sello en la parte exterior de la tapa.

Use agua jabonosa para lubricar todos los sellos y facilitar así la instalación.

Instale una unión o acoplador de caucho en la línea de ventilación para facilitar el desmontaje.

No apriete demasiado los tornillos de montaje del inodoro

No use dispositivos de ventilación automática de tuberías.

Obtenga el número de modelo y el código de fecha, y anote la información en el espacio provisto en la primera página de este manual. Tenga a mano esta información cuando llame a la fábrica.

Lo que se debe hacer y lo que no debe hacer antes de instalar la unidad

DEBE leer todo el material de instalación que viene con la bomba y el tanque.

DEBE inspeccionar la unidad en busca de daños visibles causados durante el transporte. Comuníquese con el concesionario si la unidad parece haber sufrido daños.

DEBE limpiar todos los desechos de material que haya en la unidad.

Desconecte siempre la bomba de la fuente de energía eléctrica antes de manipularla. Conecte siempre la unidad a un circuito separado, protegido y con la debida conexión a tierra.

Nunca corte, empalme ni dañe el cable de alimentación. No sostenga ni levante la bomba por el cable de alimentación. No use cable de extensión.

INSTALE una válvula de bola o de paso y una unión en la línea de descarga posterior a la válvula de retención.

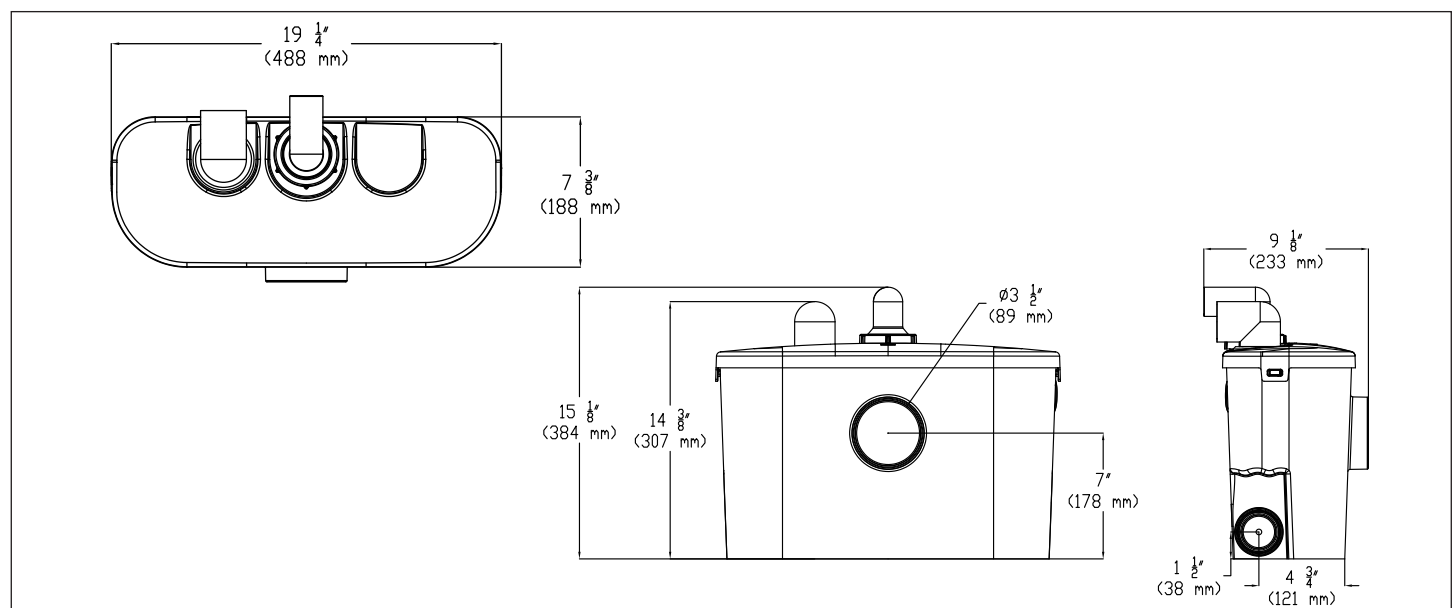
Pruebe la bomba inmediatamente después de la instalación para asegurarse de que el sistema esté funcionando correctamente.

Revise todos los códigos nacionales y locales aplicables, y verifique la conformidad de la instalación con cada uno de ellos.

NO recomendamos que se conecte este producto a otros elementos que aquellos que se encuentran en una aplicación normal de baño. Las lavadoras y lavaplatos son ejemplos de equipos que NO recomendamos.

INSPECCIONE y pruebe el sistema para asegurarse de que funciona correctamente al menos cada 3 meses.

DIMENSIONES



SELECCIÓN DE UBICACIÓN

1. Planifique con cuidado su nueva instalación.

Piso: el piso debe ser estructuralmente firme y estar nivelado dentro de los 1/8" (3 mm). Si el piso no está nivelado, utilice cemento hidráulico o un material similar para nivelarlo.

Agua: se necesitará un suministro de agua para que funcione el inodoro.

Por lo general, es suficiente una línea DN15 (1/2") con una válvula de cierre

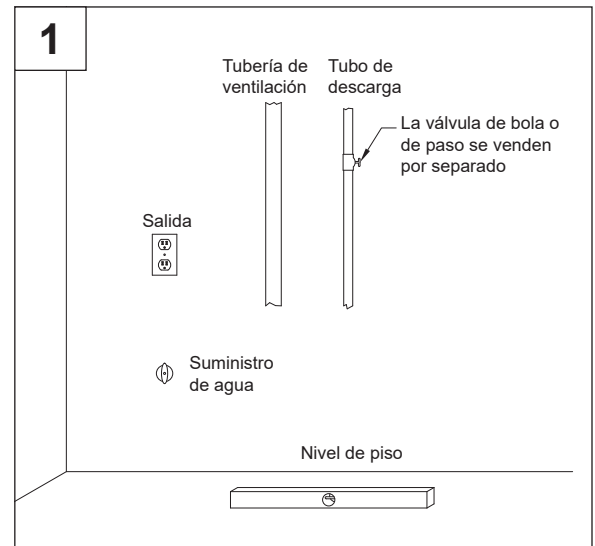
Electricidad: se necesitará un receptáculo de voltaje adecuado para suministrar energía eléctrica a la bomba.

Aguas negras: se requiere acceso a una línea de aguas negras.

Powerflush Optima requiere una línea de descarga de aguas negras DN25 (1") (o DN20 [3/4"] si el código local lo permite) para conectarse a una línea de aguas negras existente. Se debe instalar una válvula de bola o de paso en la línea de descarga.

Ventilación: en ciertos mercados se requiere acceso a una tubería de ventilación. NO se recomienda el uso de un sistema de ventilación mecánica ya que el inodoro no se descargará

NOTA: Si se va a utilizar una instalación empotrada, ubique la bomba en un área que permita acceso a la bomba y al interruptor.



ADVERTENCIA

Desconecte siempre la fuente de alimentación antes de instalar, reparar o realizar el mantenimiento del servicio.

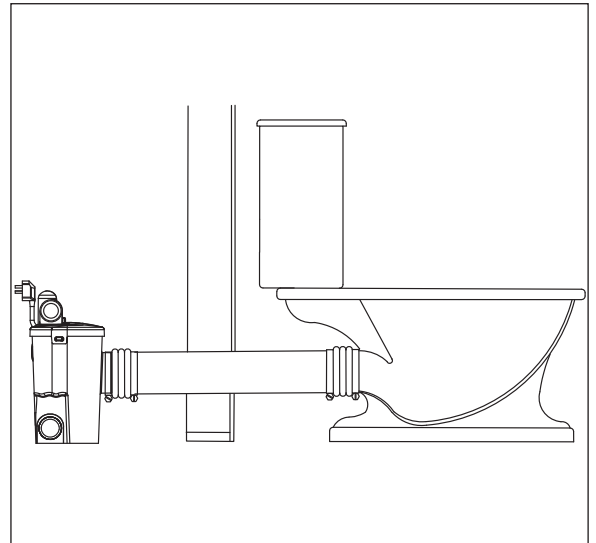
No manipule nunca la bomba con las manos mojadas o cuando esté parado sobre una superficie mojada, húmeda o con agua. Puede ocurrir una descarga eléctrica mortal.

NIVELACIÓN DE LA BOMBA

- PRECAUCIÓN** ¡No utilice cuñas de madera para nivelar la bomba!

PRECAUCIÓN ¡Asegúrese de que los clavos, tornillos u otros objetos afilados no perforen la bomba! Nivele la bomba en 1/8" (3 mm) utilizando cemento hidráulico o un material similar.

Nivele la unidad trituradora/tanque en 0.3 cm (1/8") en longitud y ancho. Utilice cemento hidráulico o un material similar para nivelar.

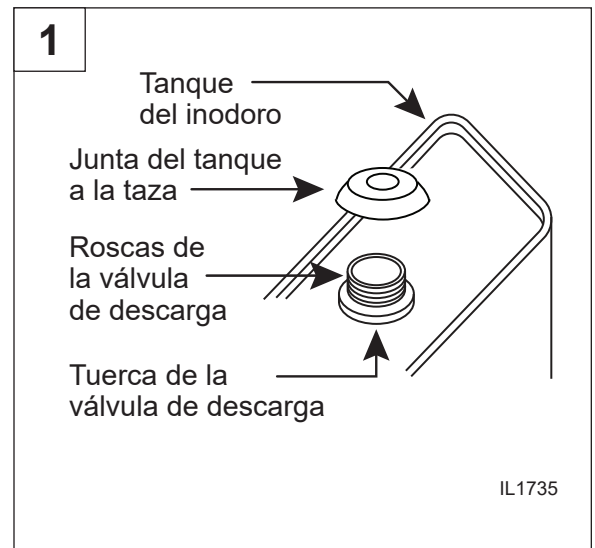


ENSAMBLAJE DEL INODORO

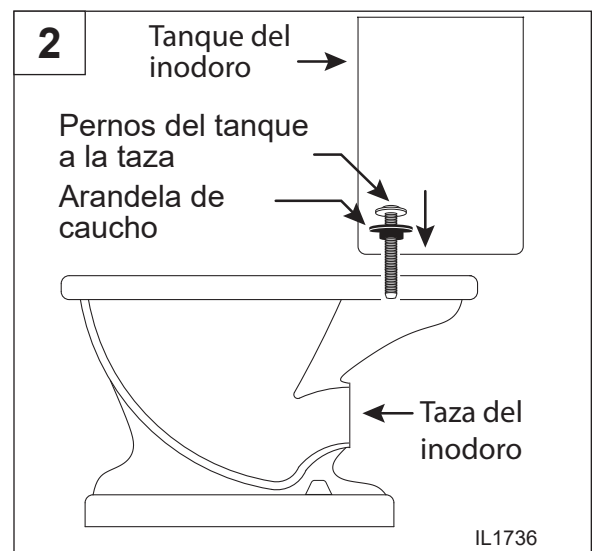
- Coloque el tanque del inodoro boca abajo y apóyelo sobre una almohadilla protectora. Instale el tanque a la junta de la taza sobre las rocas inferiores de la válvula de descarga, asegurándose que la junta del tanque cubra la tuerca de la válvula de descarga y que el lado cónico apunte hacia la taza.

PRECAUCIÓN: No use sellante de tuberías en piezas de plástico o de caucho.

PRECAUCIÓN: Tenga cuidado al ajustar tuercas o pernos contra la porcelana para evitar romperla.



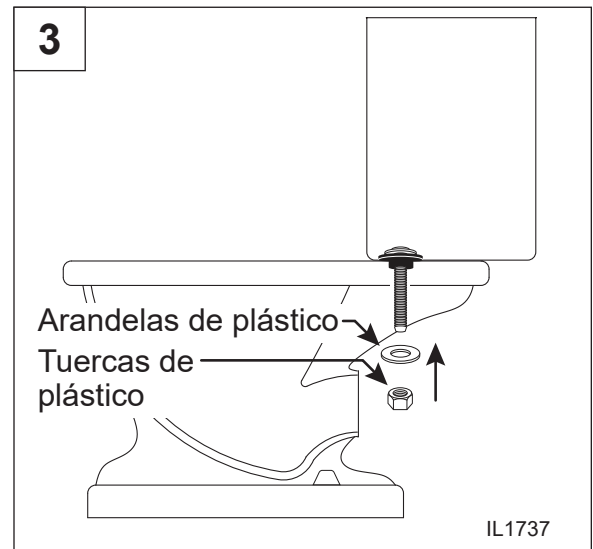
- Levante el tanque del inodoro con el lado derecho hacia arriba y coloque el tanque en la taza al centrar la junta y alinear los agujeros en la taza. Instale el tanque a los pernos y las arandelas de caucho de la taza con el lado estrecho hacia abajo, a través del tanque y de la taza.



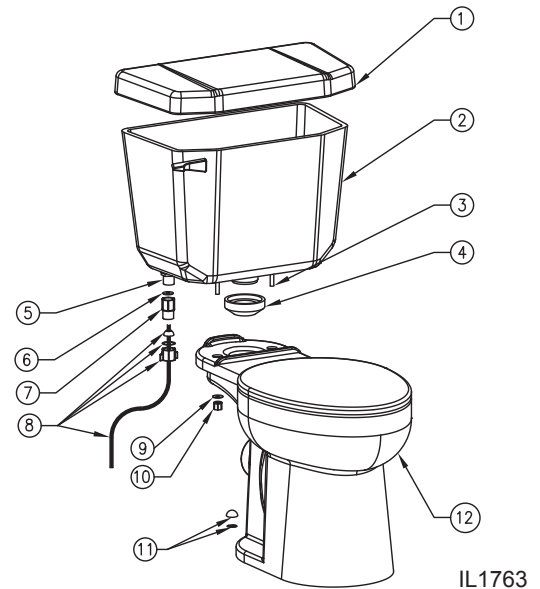
ENSAMBLAJE DEL INODORO (CONTINUACIÓN)

3. Presione hacia abajo en la parte superior del tanque del inodoro, un lado a la vez, mientras aprieta las arandelas de plástico y las tuercas debajo de la taza. Alterne el apriete de las tuercas para lograr un sello hermético, mientras se asegura de que la taza y el tanque estén nivelados.

PRECAUCIÓN: No apriete demasiado o se romperá la porcelana.

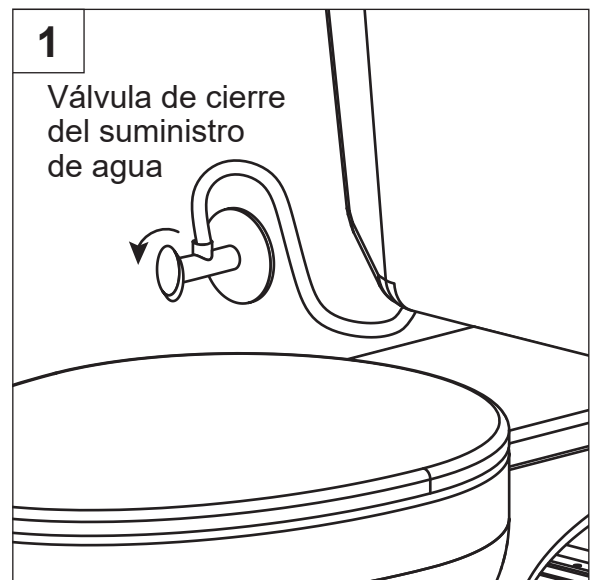


ARTICULO	DESCRIPCIÓN
1	Tapa del tanque del inodoro
2	Tanque del inodoro
3	Pernos de la junta del tanque del inodoro a la taza del inodoro
4	Junta de caucho del tanque del inodoro a la taza del inodoro
5	Conexión del suministro de agua
6	Sello de caucho de la tubería de suministro de agua
7	Adaptador de la tubería de suministro de agua
8	Tubería de suministro de agua (no incluida)
9	Arandela plana de plástico
10	Tuerca de plástico
11	Tapa del perno



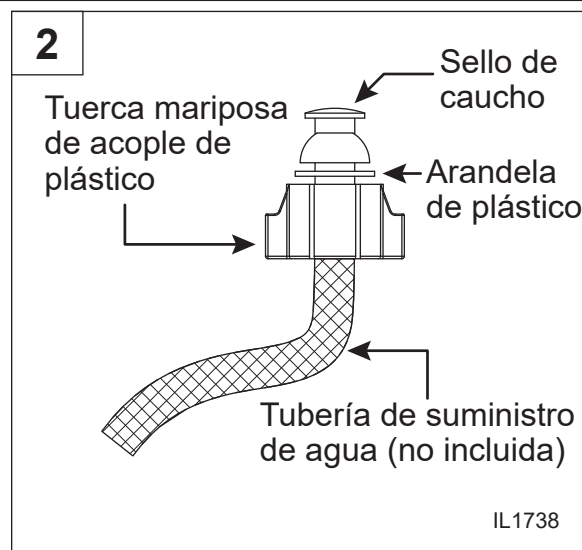
CONEXIÓN DEL SUMINISTRO DE AGUA

1. Asegúrese de que el suministro de agua entrante esté cerrado.



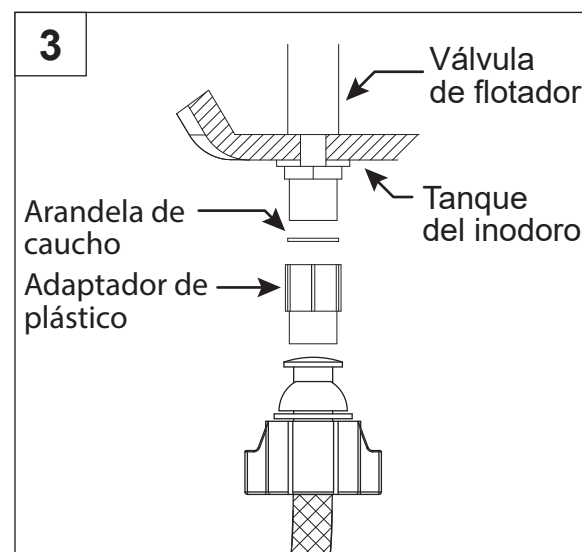
CONEXIÓN DEL SUMINISTRO DE AGUA (CONTINUACIÓN)

2. Inserte la tuerca mariposa de acople de plástico, la arandela de plástico y el sello de caucho en el extremo de la tubería de suministro de agua (no incluida).



3. Conecte la tubería de suministro de agua al vástago de la válvula de flotador que se extiende por debajo del tanque del inodoro al ajustar el adaptador de plástico con la arandela de caucho sobre el extremo del vástago de la válvula de flotador.

PRECAUCIÓN: no lo apriete excesivamente. El vástago de la válvula de flotador se puede partir y anular la garantía.



INSTALACIONES EN BRUTO

PRECAUCIÓN

El montaje del inodoro es muy pesado.

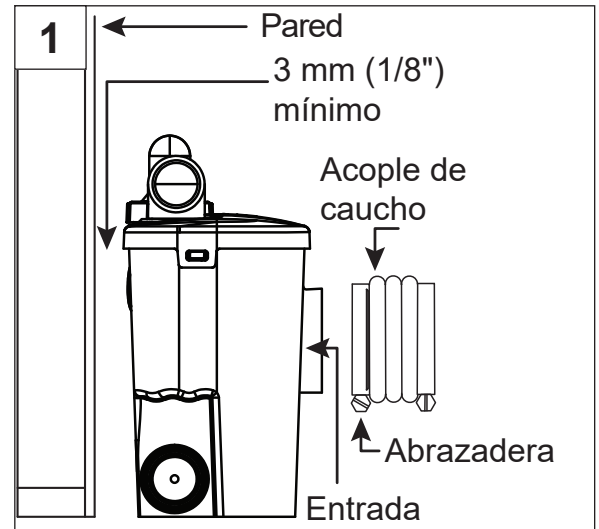
Tome precauciones especiales para asegurarse de que el inodoro no se vuelque y se rompa.

Conecte la tubería de descarga trasera del inodoro a la entrada frontal de Powerflush Optima Pro con abrazaderas de manguera. Asegúrese de que las conexiones sean de acuerdo con los códigos locales, regionales y estatales.



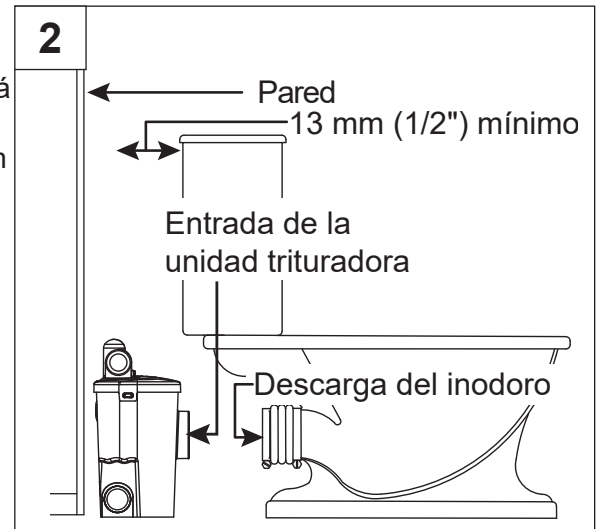
INSTALACIÓN DE BOMBA OCULTA - A LA VISTA

1. Ubique la unidad trituradora/tanque a una distancia mínima de 3 mm (1/8") de la pared con la entrada hacia adelante. Fije el acople de caucho a la entrada con la abrazadera de tornillo sin fin provista.

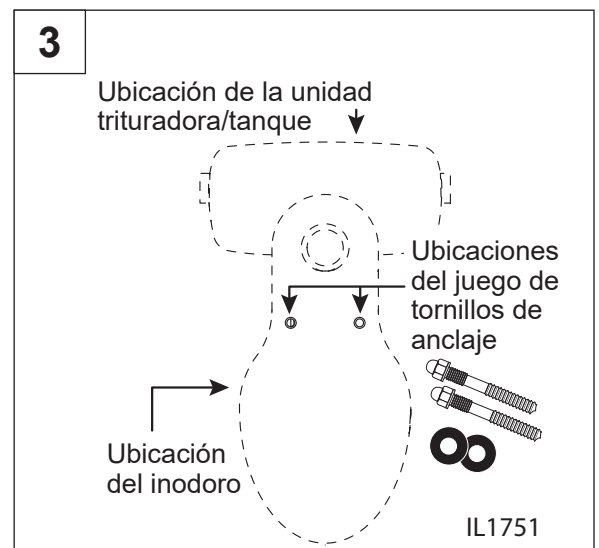


2. Ubique el inodoro frente a la unidad trituradora/tanque, al alinear la descarga del inodoro con la entrada de la unidad trituradora/tanque. Verifique de que el acople de caucho cubrirá la separación de manera adecuada para la instalación final. El tanque el inodoro debe estar a una distancia mínima de 13 mm (1/2") de la pared.

PRECAUCIÓN: No conecte el acople de caucho al inodoro en este momento.

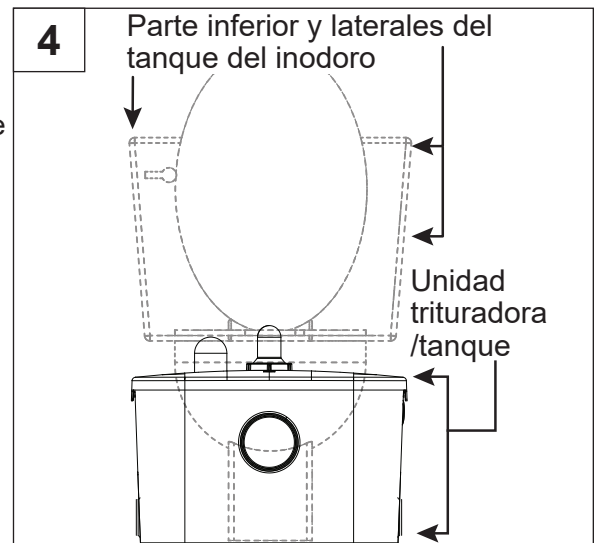


3. Marque ligeramente las ubicaciones de la unidad trituradora/tanque, el inodoro y el juego de tornillos de anclaje en el piso.



INSTALACIÓN DE BOMBA OCULTA - A LA VISTA (CONTINUACIÓN)

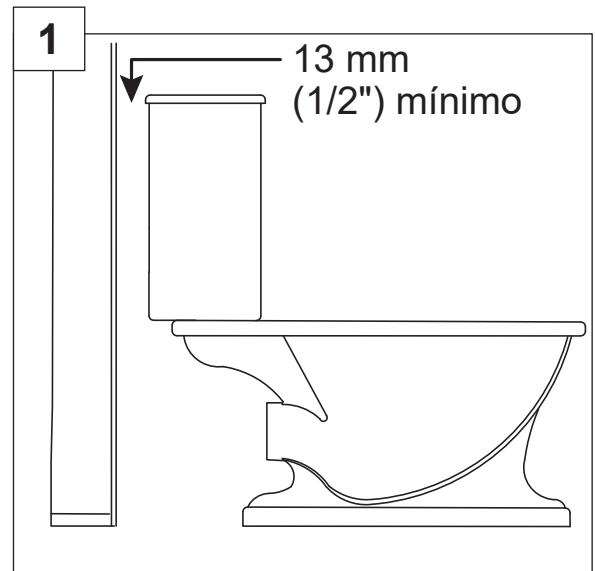
4. Marque ligeramente la pared con la altura de la unidad trituradora/tanque y la parte inferior y los laterales del tanque del inodoro para prevenir interferencias durante la instalación de las tuberías. Quite el inodoro de la unidad trituradora/tanque y déjelo a un lado hasta que instale las tuberías.



INSTALACIÓN DE LA BOMBA OCULTA - EMPOTRADA

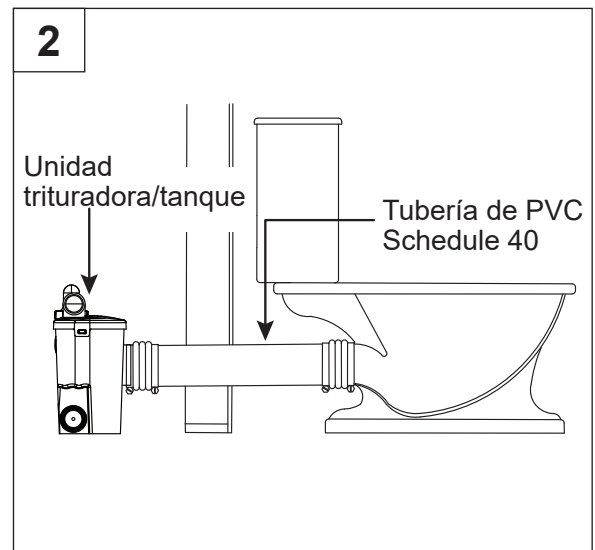
NOTA: Para instalar la unidad trituradora/tanque detrás de una pared se necesitará un juego de extensión (N/P 023260) que se vende por separado.

1. Ubique el montaje del inodoro a una distancia mínima de 13 mm (1/2") de la pared y marque la ubicación de los tornillos de anclaje en el piso.



2. Ubique la unidad trituradora/tanque detrás de la pared. Mida la distancia adecuada de la tubería de PVC Schedule 40 (3 1/2") provista con el juego de extensión y córtela a medida. Deje el inodoro a un lado.

PRECAUCIÓN: El montaje del inodoro es muy pesado. Tome precauciones especiales para asegurarse de que el inodoro no se vuelque y se rompa.



TUBERÍAS

1. Corte y ajuste en seco la tubería y los conectores como se requiere para la tubería de descarga 1" (DN25) de diámetro (se puede reducir a un diámetro 3/4" [DN20] si el código local lo permite).
2. Al ajustar en seco la tubería de descarga, ubique y marque la ubicación del conector de descarga de la bomba.
3. Corte y ajuste en seco la tubería de ventilación DN40 (1½") según se requiera para asegurar que la tubería de ventilación no interfiere con otros componentes. Realice la conexión con la bomba con el codo macho-hembra provisto. Se ha proporcionado un conector de descarga de 2" x 1" de 90°.

⚠ PRECAUCIÓN

Se necesita ventilación adecuada.

4. Coloque temporalmente el inodoro en su lugar para verificar que no hay interferencias con las tuberías. Quite el inodoro y déjelo a un lado.
5. Limpie, cebe y suelde en frío la tubería de descarga y el conector de descarga de la bomba

⚠ PRECAUCIÓN

Al aplicar soldadura en frío al conector de descarga, asegúrese de que no entra nada en el conjunto de válvula de retención. Preste mucha atención a la correcta alineación del conector de descarga marcado previamente.

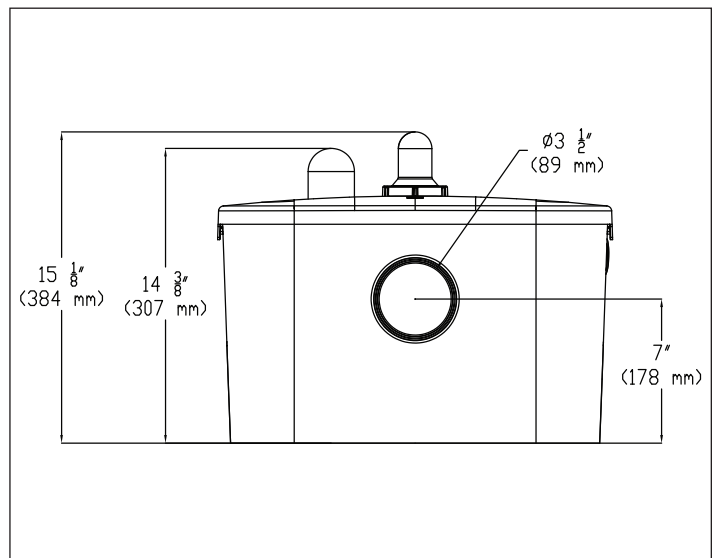
6. Para mercados que requieren una tubería de ventilación, limpiar y soldar en frío la tubería de ventilación según se requiera para una ventilación apropiada.
7. Filtro de ventilación de carbono opcional: Para mercados donde se permite un filtro de ventilación de carbono, reemplace el filtro de

carbóno periódicamente para que la ventilación funcione de manera adecuada.

Nota: Agregar otros accesorios de baño - El Qwik Jon® Choice está diseñado para aceptar accesorios de baño adicionales a través de las dos entradas laterales. Estas entradas se pueden unir mediante el MPT de 2" (diámetro exterior) o el deslizamiento de 1-1 / 2" (DN40) (diámetro interior). Estas entradas deben tener el orificio interior perforado con una sierra de perforación de 1-3 / 4" (44 mm). Esto es para garantizar que no haya problemas de fugas de entradas que no estén seguras. Cuando utilice entradas laterales, instale una válvula de retención en la entrada línea.

⚠ PRECAUCIÓN

Una vez que se haya perforado la abertura de entrada lateral, elimine las rebabas y los bordes ásperos para evitar la posibilidad de obstrucciones.

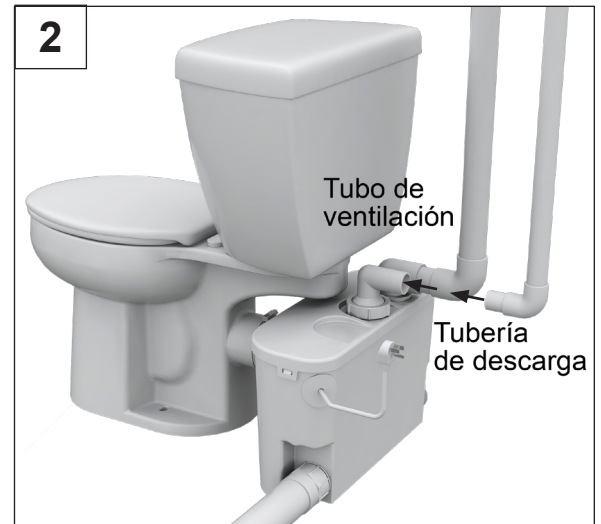


1. Conecte las entradas de descarga deseadas al costado del Powerflush Optima Pro. Utilice una sierra perforada de 44 mm (1-3/4") para cortar los orificios en las entradas laterales.

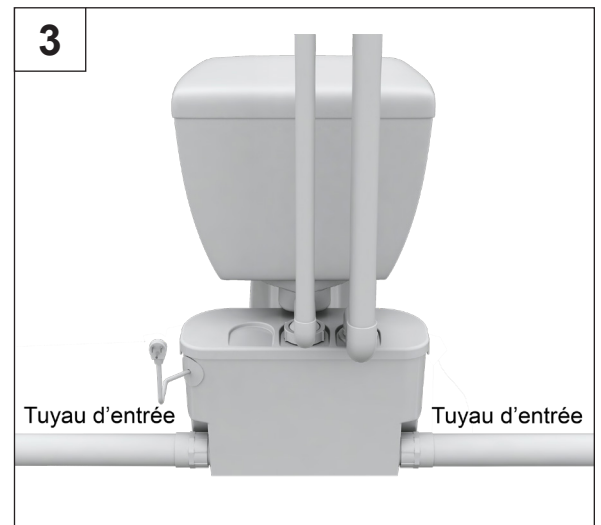


TUBERÍAS (CONTINUACIÓN)

2. Conecte la tubería de descarga a la parte superior del Powerflush Optima Pro.

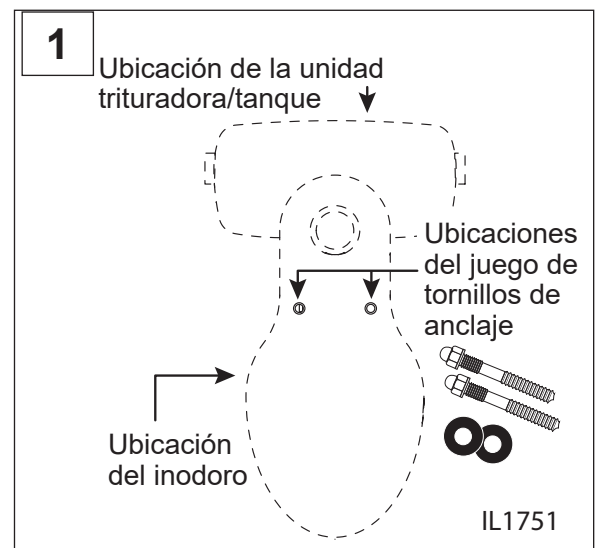


3. Conecte todas las tuberías de entrada al Powerflush Optima Pro si se desea



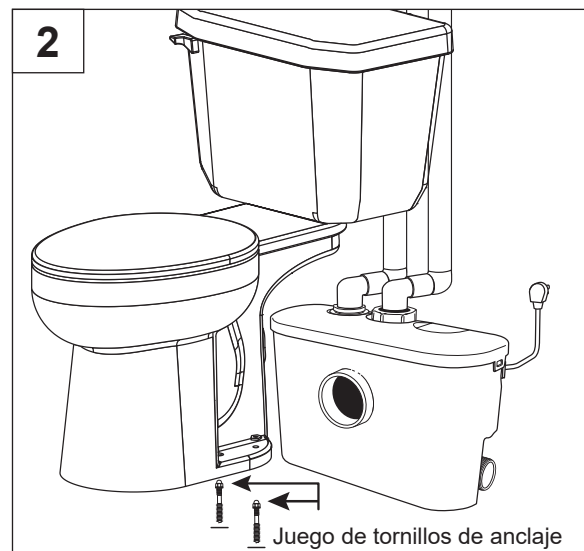
INSTALACIÓN DEL INODORO

1. Perfore previamente los agujeros para los tornillos de anclaje en los puntos que marcó antes y colóquelos.

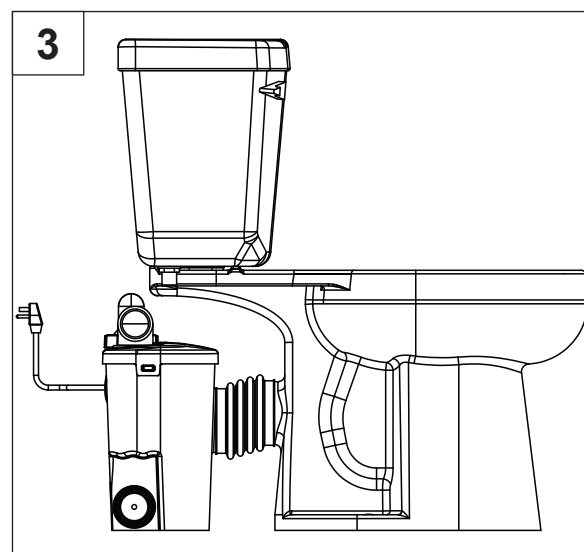


INSTALACIÓN DEL INODORO (CONTINUACIÓN)

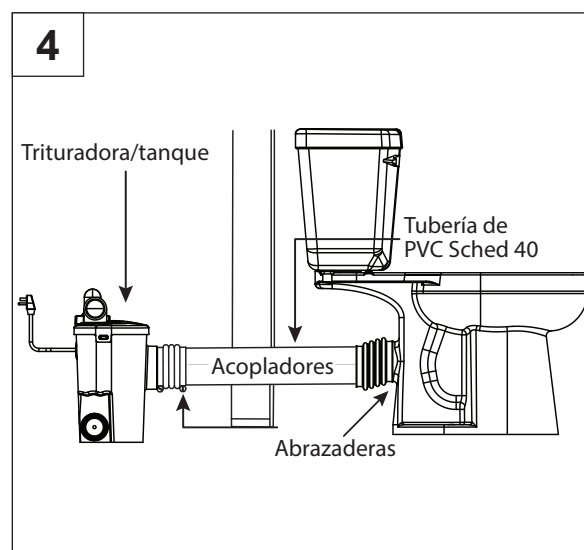
2. Ubique el montaje del inodoro sobre los tornillos de anclaje en el piso. Instale los herrajes de anclaje y ajústelos de forma alternada. Verifique el nivel y utilice cuñas según sea necesario. Tenga cuidado al ajustar tuercas o pernos contra la porcelana para evitar romperla.



3. Para instalaciones expuestas, instale el acople de caucho en la descarga del inodoro y el buje de la unidad trituradora/tanque y fíjelo con las abrazaderas helicoidales provistas.

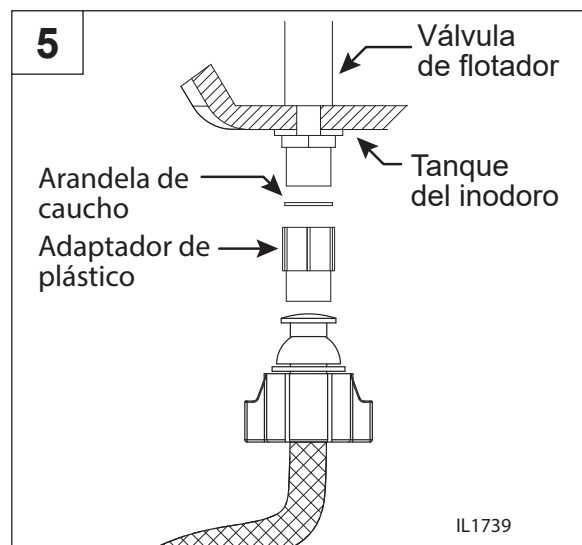


4. Para instalaciones ocultas (con el juego de extensión opcional 023260), instale los acoples de caucho tanto en la unidad trituradora/tanque como en la descarga del inodoro y fíjelos a la tubería de extensión con las abrazaderas helicoidales provistas.

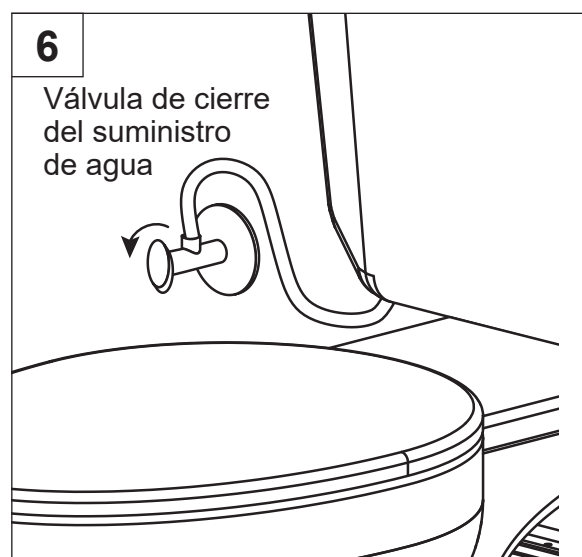


INSTALACIÓN DEL INODORO (CONTINUACIÓN)

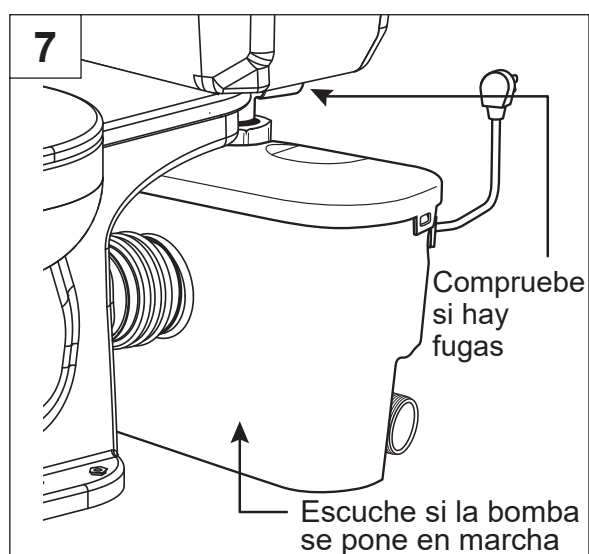
5. Instale la tubería de suministro de agua desde la válvula de cierre de agua existente a la conexión de suministro de agua del inodoro.



6. Abra la válvula de suministro de agua y compruebe si hay fugas. El tanque del inodoro se debe llenar hasta el nivel adecuado. Ajuste si es necesario.

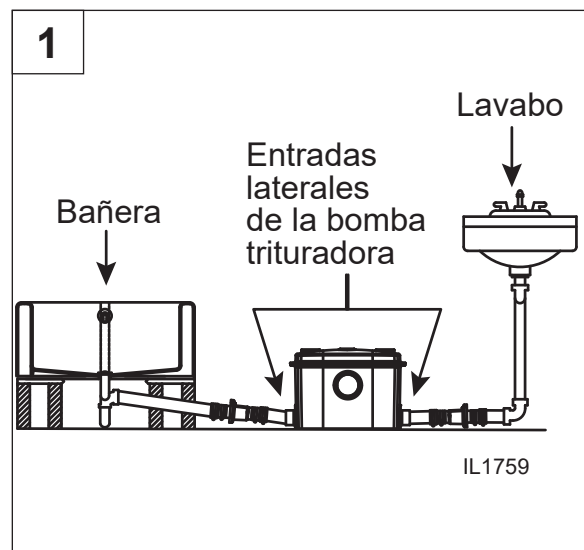


7. Descargue el inodoro y verifique que funcione bien. Escuche si la bomba se pone en marcha. La bomba necesita una ventilación adecuada para que el inodoro pueda descargar. Compruebe si hay fugas. Repita la descarga para garantizar un funcionamiento adecuado.

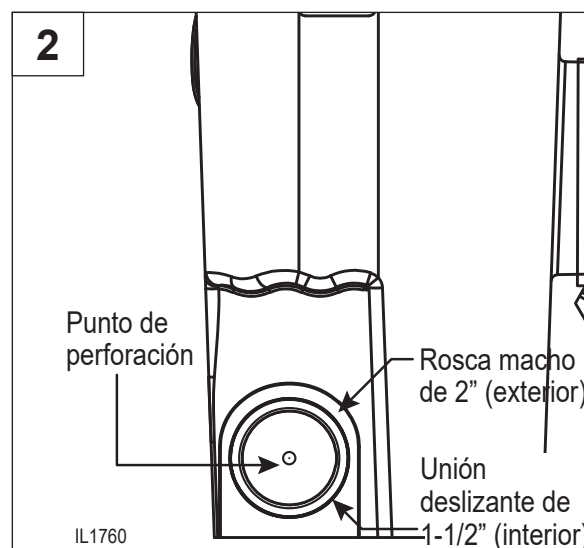


AGREGAR OTROS ACCESORIOS DE BAÑO

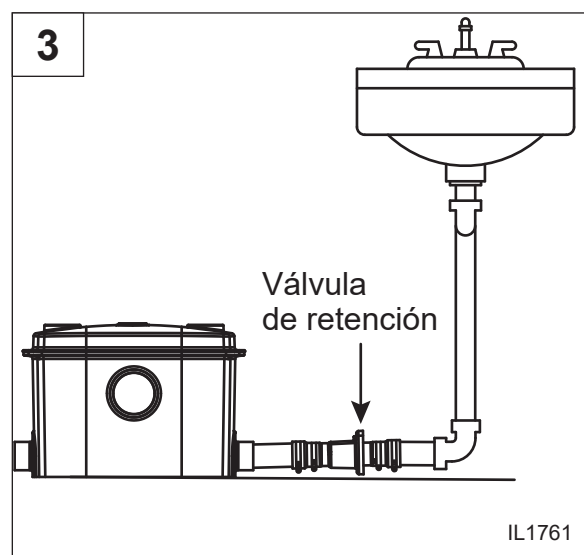
1. PowerFlush Optima Pro está diseñado para aceptar accesorios de baño adicionales a través de las dos entradas laterales.



2. Los accesorios adicionales se pueden conectar a la rosca macho de 2" (diámetro exterior) o la unión deslizante de 1½" (diámetro interior). Estas entradas laterales están selladas en fábrica para prevenir fugas cuando no se utilizan. Antes de utilizarlas, se deben perforar estas entradas laterales con una sierra perforada de 44 mm (1¾").



3. Cuando utiliza entradas laterales, instale una válvula de retención en la línea de entrada.

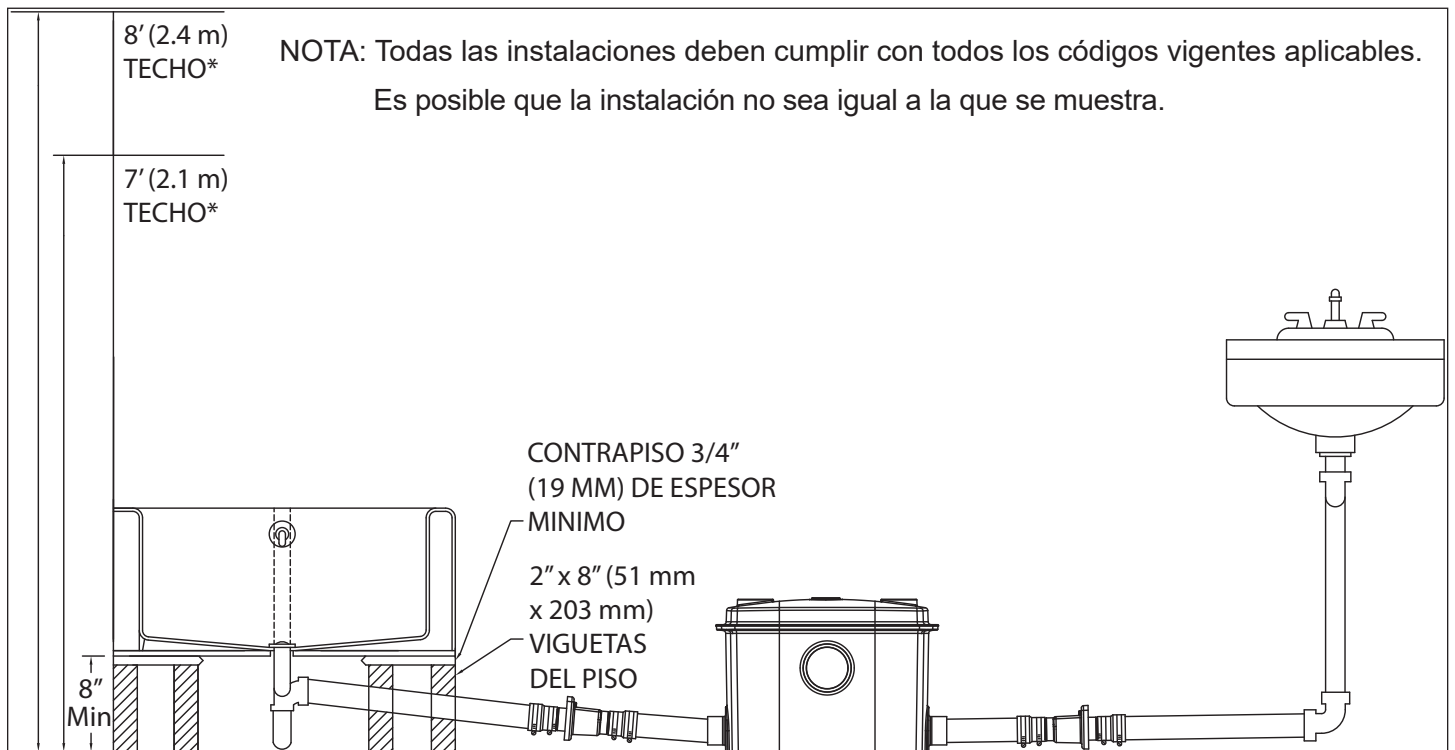


ENERGÍA

1. Enchufe el cable de alimentación a un enchufe de pared para proporcionar energía a la unidad.



INSTALACION TIPICA



MANTENIMIENTO

⚠ ADVERTENCIA Peligro mecánico y eléctrico.

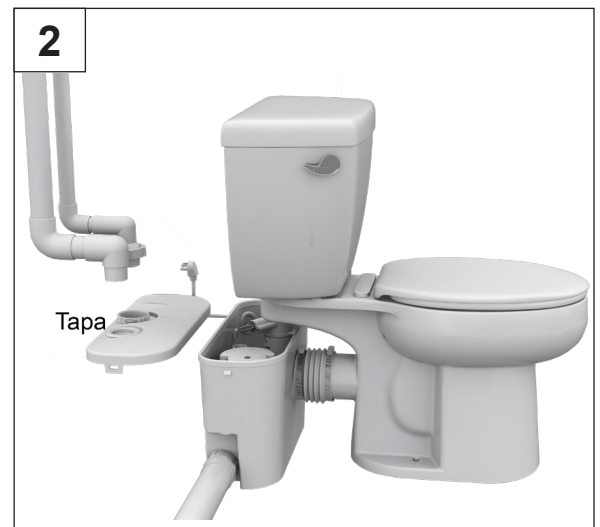
Desconecte la energía antes de realizar un mantenimiento o abrir. Este equipo solo debe ser revisado y mantenido por un profesional calificado.



1. Retire la tubería de ventilación del bajante y la tubería de descarga de la parte superior del Powerflush Optima Pro.

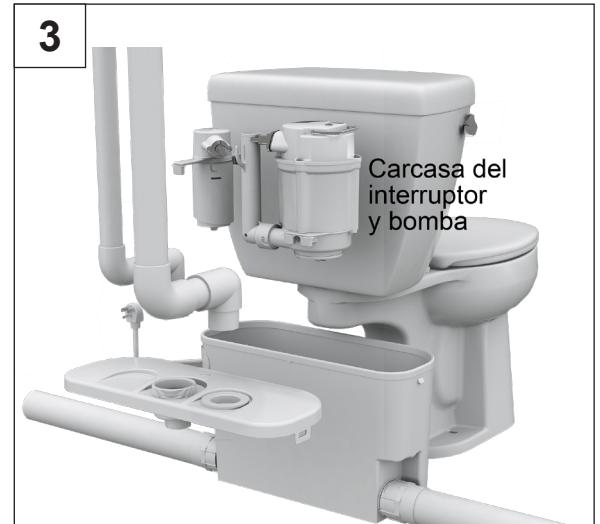


2. Retire la tapa del Powerflush Optima Pro.

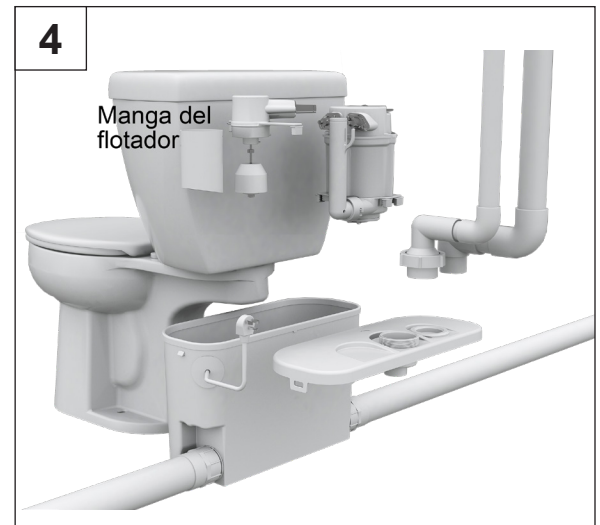


MANTENIMIENTO (CONTINUACIÓN)

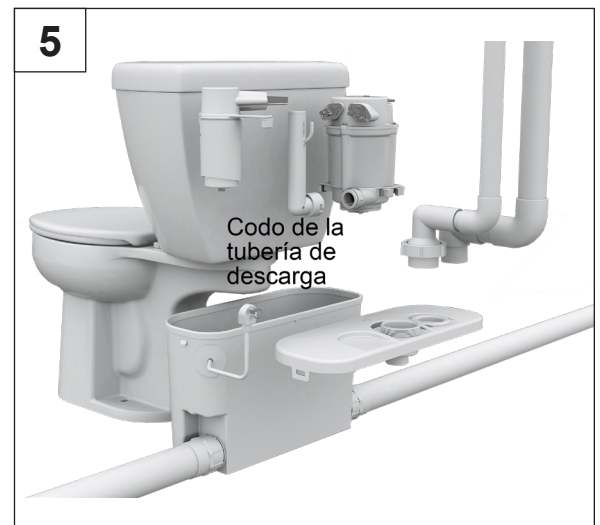
3. Levante la carcasa del interruptor y la bomba fuera del tanque



4. La manga del flotador se puede retirar de la carcasa del interruptor para limpiar el flotador de residuos.

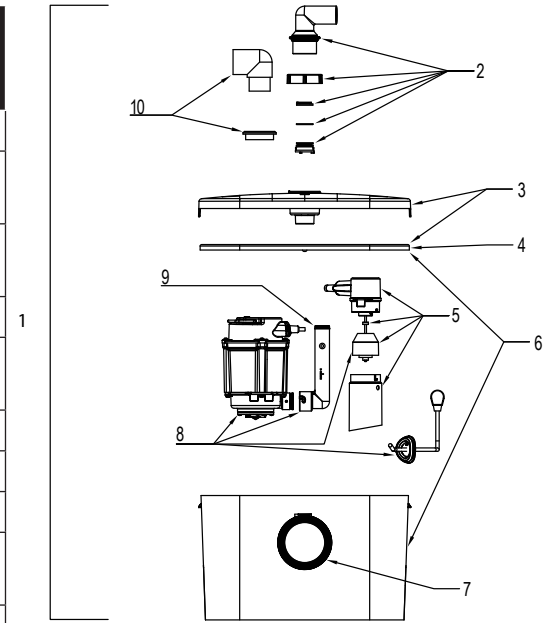


5. El codo de la tubería de descarga se puede desconectar de la voluta de la bomba para limpiarla de residuos.

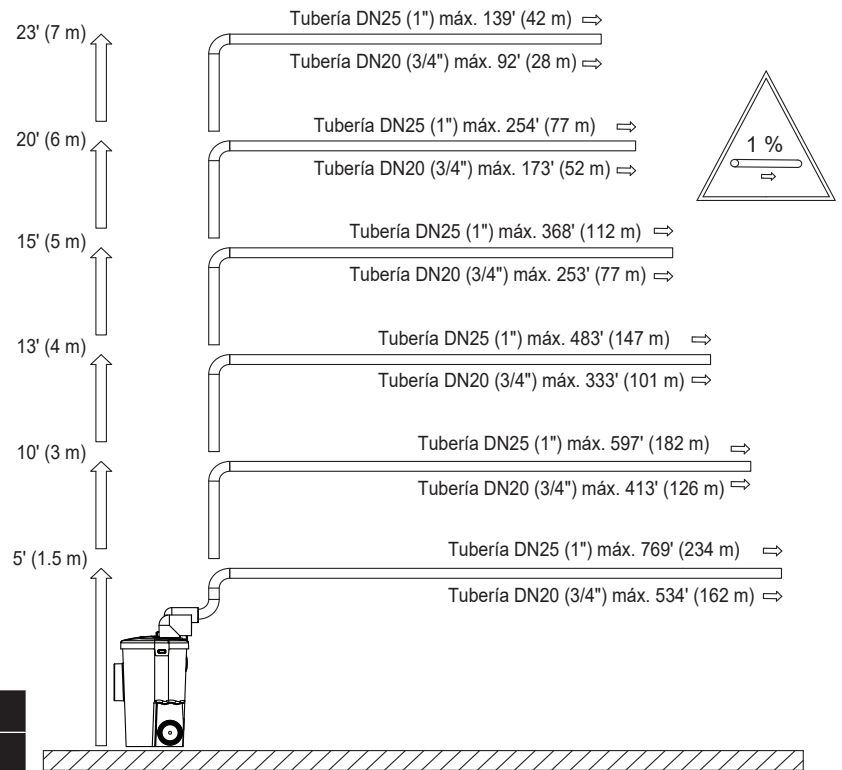
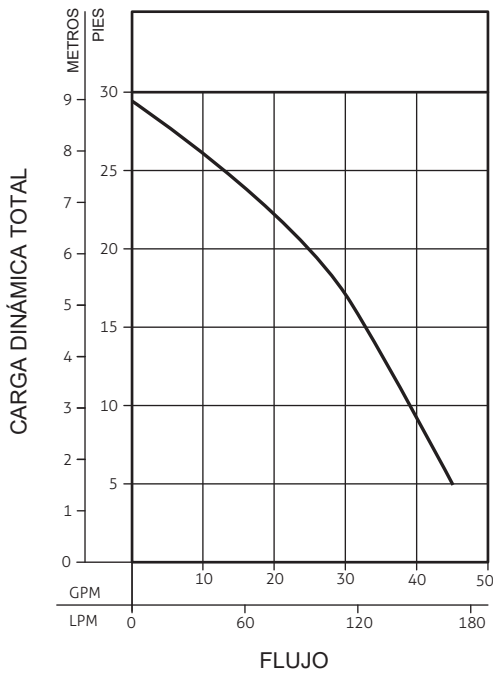


LISTA DE PIEZAS DE REPUESTO

Artículo	Descripción	Juego de reparación o número de pieza
1	Sistema completo Powerflush Optima Pro	025566
2	Juego de reparación del ensamblaje de la tubería de salida	084993
3	Juego de reparación de la cubierta del tanque	084994
4	Juego de reparación del sello del tanque	085006
5	Carcasa del interruptor y juego de reparación del flotador	084996
6	Juego de reparación del tanque	084998
7	Juego de reparación del fuelle	084840
8	Juego de reparación de la bomba	085000
9	Juego de reparación del codo de la tubería de descarga	085002
10	Vent pipe repair kit	085001



RENDIMIENTO DE BOMBA



CARGA DINÁMICA TOTAL			
MODELO		115 V / 60 HZ	
PIES	METROS	GALONES	LITROS
5	1.5	45	170.3
10	3.0	39	147.6
15	4.6	33	124.9
20	6.1	25	94.6
25	7.6	13	49.2
Carga negativa		29.5 Pies (9m)	

SOLUCIÓN DE PROBLEMAS

Condiciones	Causa posible	Solución
La bomba no arranca o no trabaja.	Bajo voltaje, circuito abierto, condensador defectuoso	Pídale a un electricista calificado que revise el circuito.
	Impulsor y cortador atascados	Contacte al departamento de servicio técnico.
	Motor o cableado en cortocircuito	
	Suciedad en el interruptor de flotador	Elimine la suciedad.
La bomba no se apaga o trabaja durante mucho tiempo antes de bombear el agua.	Escombros bajo el flotador	Elimine la suciedad del flotador y alrededor del mismo.
	Interruptor del flotador defectuoso	Contacte al departamento de servicio técnico.
	La bomba está bloqueada por aire	Asegúrese de que el orificio de ventilación en la tubería de descarga esté limpio.
	Se ha acumulado material de desecho, lo que bloquea el flujo del material hacia la entrada de la bomba	Mantenga hacia abajo la palanca del tanque del inodoro durante 15 segundos. Si la unidad no se limpia, desenchufe y espere 30 minutos. Enchufe nuevamente la unidad y repita. Si la unidad todavía no se apaga, deberá abrirla y eliminar la suciedad.
La bomba trabaja pero saca muy poca agua o ninguna.	Hay escombros alrededor de la entrada	Limpie el área alrededor de la entrada.
	Obstrucción en la tubería de descarga	Retire la tubería y lave la suciedad.
	Voltaje bajo o incorrecto	Pídale a un electricista calificado que revise los cables de la caja.
	Impulsor dañado	Contacte al departamento de servicio técnico.
	Ajuste incorrecto del flotador.	Contacte al departamento de servicio técnico.
	La bomba está bloqueada por aire	Asegúrese de que el orificio de ventilación en la tubería de descarga esté limpio.
	La extracción de agua es demasiado elevada	Cambie la tubería de descarga o comuníquese con el departamento de servicio técnico.

Si esta lista de verificación no resuelve el problema, comuníquese con el departamento de servicio técnico al 1-800-742-5044. No intente reparar ni desarmar la bomba usted mismo. Cuidado del acabado: Todo lo que se recomienda para limpiar la parte exterior del tanque es agua y jabón. Otros productos de limpieza podrían provocar decoloración y arañazos.

GARANTÍA

Este producto se garantiza por un período de dos años a partir de la fecha de compra. Sujeto a las condiciones establecidas en el presente, el fabricante reparará o reemplazará, para el consumidor original, cualquier parte del producto que se compruebe que está defectuosa debido a defectos en los materiales o la mano de obra. Esta garantía no cubre las piezas de repuesto por falla debido a desgaste normal. Para obtener los servicios de garantía, póngase en contacto con el distribuidor donde adquirió el producto. El fabricante se reserva el derecho y la opción exclusivos de determinar la reparación o el reemplazo de equipos, piezas o componentes defectuosos. Los daños causados por condiciones que escapen del control del fabricante no están cubiertos por esta garantía.

ESTA GARANTÍA NO SE APLICARÁ:

- (a) a defectos o mal funcionamiento como resultado de una falla en la instalación, operación o mantenimiento de la unidad según lo indicado en las instrucciones impresas provistas;
- (b) a los fallos resultantes del abuso, accidentes o negligencia o uso inapropiado de productos químicos o aditivos en el agua,
- (c) a los servicios de mantenimiento normativos y las piezas utilizadas en conexión con dichos servicios;
- (d) a unidades que no se instalaron según los códigos normativos locales, las ordenanzas o las buenas prácticas comerciales aplicables; y
- (e) si la unidad se utiliza para fines para los cuales no está destinada ni fabricada.

DEVOLUCIÓN DE COMPONENTES EN GARANTÍA: Cualquier elemento a ser reparado o reemplazado bajo esta garantía debe ser devuelto al fabricante en Kendallville, Indiana o a cualquier otro lugar que el fabricante pueda designar, con flete prepago.

LA GARANTÍA QUE SE PROPORCIONA EN EL PRESENTE REEMPLAZA A TODAS LAS DEMÁS GARANTÍAS EXPLÍCITAS Y NO PUEDE SER EXTENDIDA NI MODIFICADA POR NADIE. CUALQUIER GARANTÍA IMPLÍCITA ESTARÁ LIMITADA AL PERÍODO DE LA GARANTÍA LIMITADA Y, POR CONSIGUIENTE, SE RECHAZAN Y SE EXCLUYEN TODAS DICHAS GARANTÍAS IMPLÍCITAS. BAJO NINGUNA CIRCUNSTANCIA, EL FABRICANTE SERÁ RESPONSABLE DE DAÑOS ACCIDENTALES, RESULTANTES O ESPECIALES, INCLUIDOS, ENTRE OTROS, LOS DAÑOS A LA PROPIEDAD O AL EQUIPO, O LA PÉRDIDA DE ESTOS, LA PÉRDIDA DE GANANCIAS, INCONVENIENTES U OTROS DAÑOS ACCIDENTALES O RESULTANTES DE CUALQUIER TIPO O NATURALEZA. LA RESPONSABILIDAD DEL FABRICANTE NO SUPERARÁ EL PRECIO DEL PRODUCTO SOBRE EL CUAL SE BASA DICHA RESPONSABILIDAD.

Esta garantía le otorga derechos legales específicos, pero usted podría tener otros derechos que varían según el estado. Algunos estados no permiten las limitaciones sobre la duración de las garantías implícitas, o la exclusión de los daños accidentales o resultantes, de modo que las limitaciones mencionadas anteriormente podrían no aplicarse en su caso.

En aquellas instancias en que haya daños causados por una presunta falla de la bomba, el propietario deberá conservar la bomba a fin de investigar dicha falla.