

ATTACH YOUR RECEIPT HERE

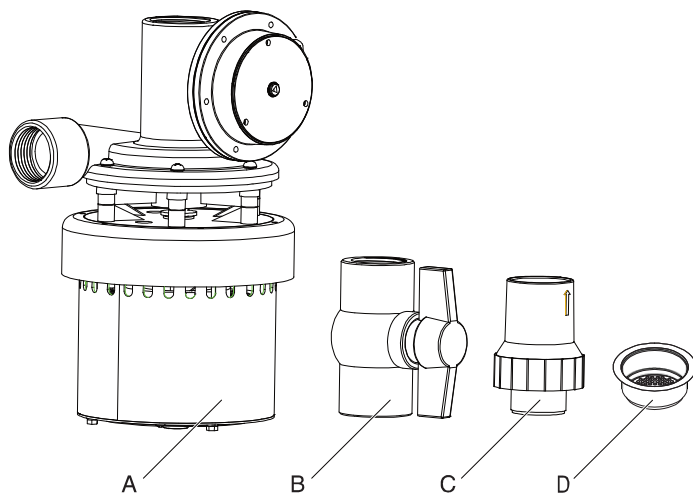
Serial Number _____ Purchase Date _____



Questions, problems, missing parts? Before returning to your retailer, call our customer service department at 1-800-742-5044, 7:30 a.m. - 5:00 p.m., EST, Monday - Friday.

PACKAGE CONTENTS

ITEM	DESCRIPTION	QUANTITY
A	Pump	1
B	Ball Valve	1
C	Check Valve	1
D	Strainer	1



SAFETY INFORMATION

Please read and understand this entire manual before attempting to assemble, operate or install the product.

NOTE: Pumps with the “UL” Mark and pumps with the “US” mark are tested to UL Standard UL778. CSA certified pumps are certified to CSA Standard C22.2 No. 108. (CUS.)

IMPORTANT

- The motor of this pump has a thermal protector that will trip if the motor becomes too hot. The protector will reset itself once the motor cools down and an acceptable temperature has been reached. The pump may start unexpectedly if it is plugged in.
- Ensure the electrical power source is adequate for the requirements of the pump.
- This pump is made of high-strength, corrosion-resistant materials. It will provide trouble-free service for a long time when properly installed, maintained, and used. However, inadequate electrical power to the pump, dirt, or debris may cause the pump to fail. Please carefully read the manual and follow the instructions regarding common pump problems and remedies.

NOTE: This pump does not require a connection to a main stack vent, per the National Standard Plumbing Code (NSPC) 2003 Section 11.7.9.

 **DANGER**

- Do not pump flammable or explosive liquids such as oil, gasoline, kerosene, ethanol, etc. Do not use in the presence of flammable or explosive vapors. Using this pump with or near flammable liquids can cause an explosion or fire, resulting in property damage, serious personal injury, and/or death.
- Always disconnect the power to the pump before servicing.
- Do not touch the motor housing during operation. The motor is designed to operate at high temperatures. Do not disassemble the motor housing.
- Do not handle the pump or pump motor with wet hands or when standing on a wet surface, or in water.

 **WARNING**

- Extension cords may not deliver sufficient voltage to the pump motor. Extension cords present a life threatening hazard if the insulation becomes damaged or the connection ends fall into water. The use of an extension cord to power this pump is not permitted.
- Secure the discharge line before starting the pump. An unsecured discharge line will whip, possibly causing personal injury, and/or property damage.
- Ensure that the electrical circuit to the pump is protected by a 15 amp fuse or circuit breaker.
- Release all pressure and drain all water from the system before servicing any component.
- Wear safety goggles at all times when working with pumps.
- The unit is designed only for use on 115 volts (single phase), 60 Hz, and is equipped with an approved 3-conductor cord and 3-prong grounded plug. Do not remove the ground pin under any circumstances. The 3-prong plug must be directly inserted into a properly installed and grounded 3-prong, grounding-type receptacle. Do not use this pump with a 2-prong wall outlet. Replace the 2-prong outlet with a properly grounded 3-prong receptacle (a GFCI outlet) installed in accordance with the National Electrical Code and local codes and ordinances. All wiring should be performed by a qualified electrician.
- Protect the electrical cord from sharp objects, hot surfaces, oil, and chemicals. Avoid kinking the cord. Do not use damaged or worn cords.

 **CAUTION**

- Do not lift the pump by the power cord.
- Know the pump and its applications, limitations, and potential hazards.
- Follow all safety standards and all local electrical codes.

SPECIFICATIONS

Power Supply	115V, 60Hz., 15 Amp Circuit
Liquid Temp Range	32°F to 120°F (0°-50°C)
Pump Inlet	1-1/2 in. NPT
Pump Discharge	1-1/4 in. NPT

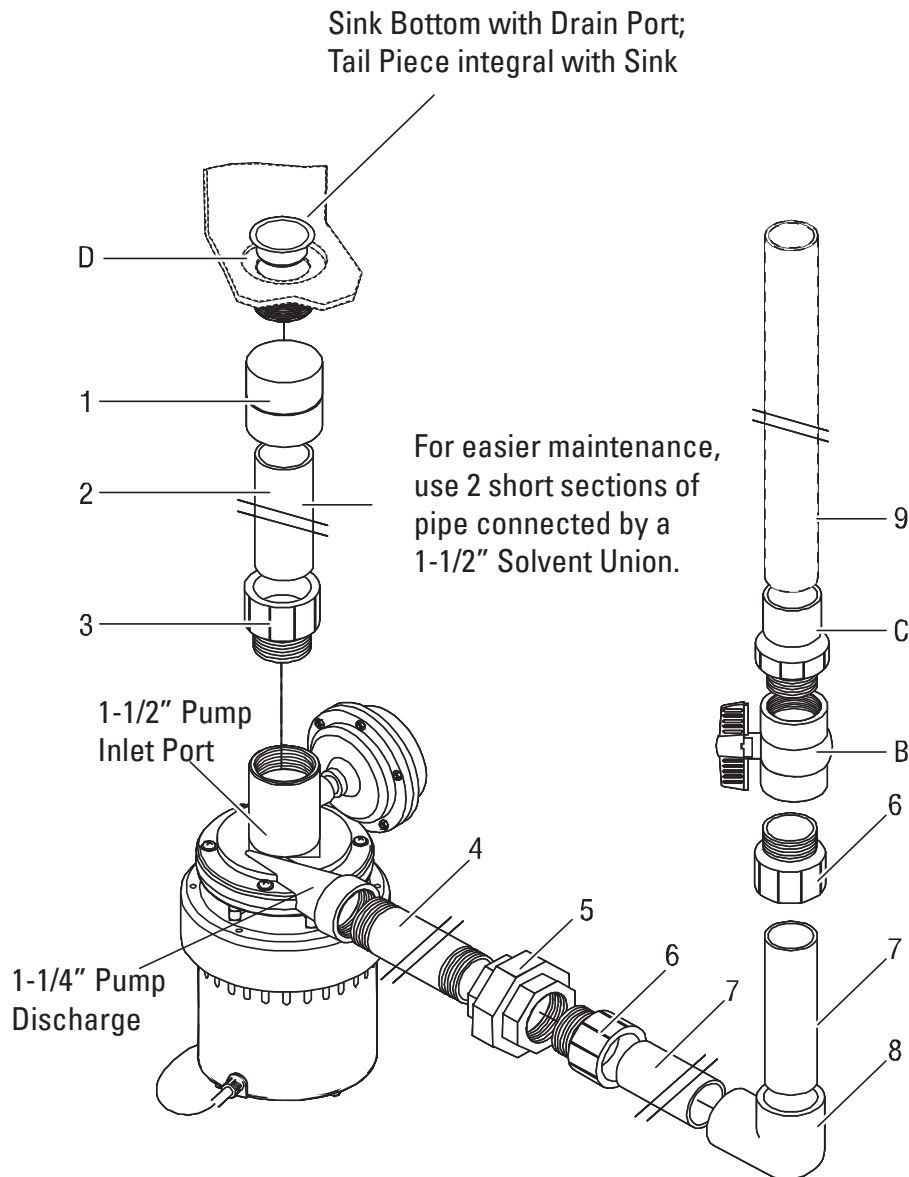
PREPARATION

Materials required for assembly:

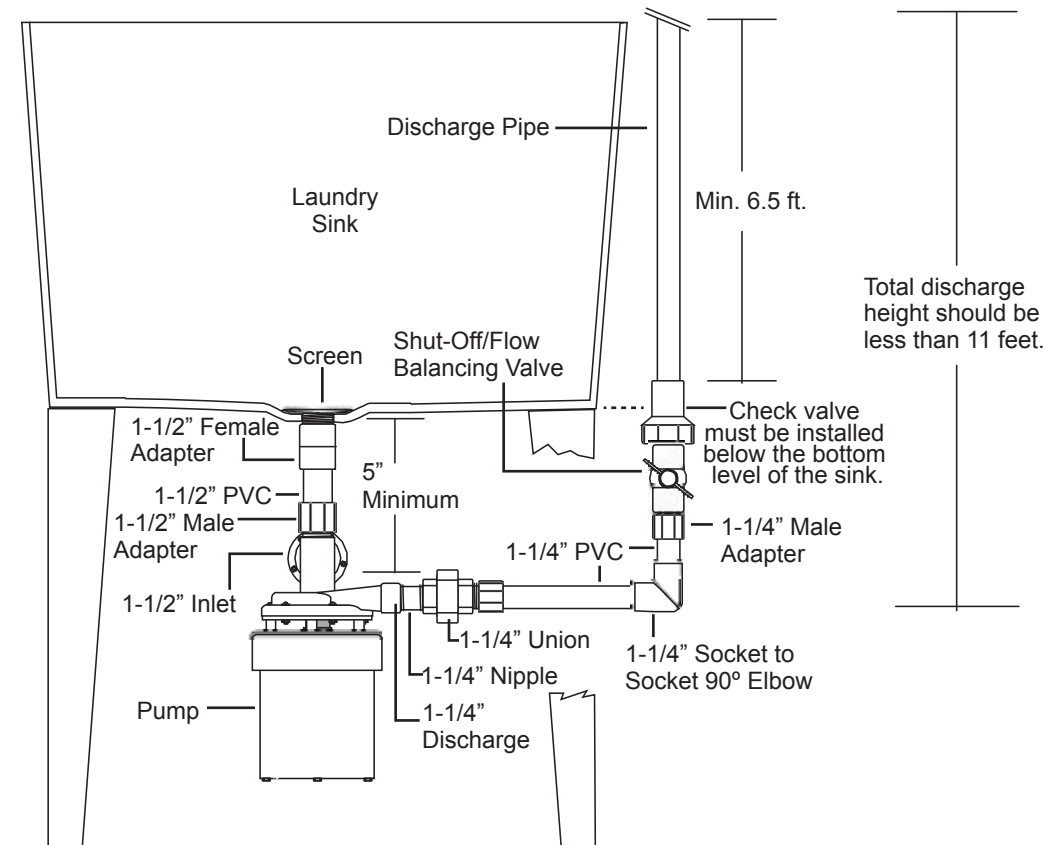
1	1-1/2" NPT x 1-1/2" Slip Female Adapter
2	1-1/2" Schedule 40 PVC Pipe (to fit)
3	1-1/2" NPT x 1-1/2" Slip Male Adapter
4	1-1/4" NPT Galvanized Nipple (to fit)
5	1-1/4" NPT Galvanized Union
6	(2) 1-1/4" NPT x 1-1/4" Male Adapter

7	(2) 1-1/4" Schedule 40 PVC Pipe (to fit)
8	1-1/4" Socket to Socket 90° Elbow
9	1-1/4" Schedule 40 PVC Pipe to Drain
	PVC Pipe Cement
	PTFE Pipe Thread Sealant Tape
	1-1/2" PVC Solvent Union

Materials supplied: Sink Drain Screen (D), 1-1/4" NPT x 1-1/4" Slip Check Valve (C),
1-1/4" NPT Ball Valve (B)



INSTALLATION INSTRUCTIONS



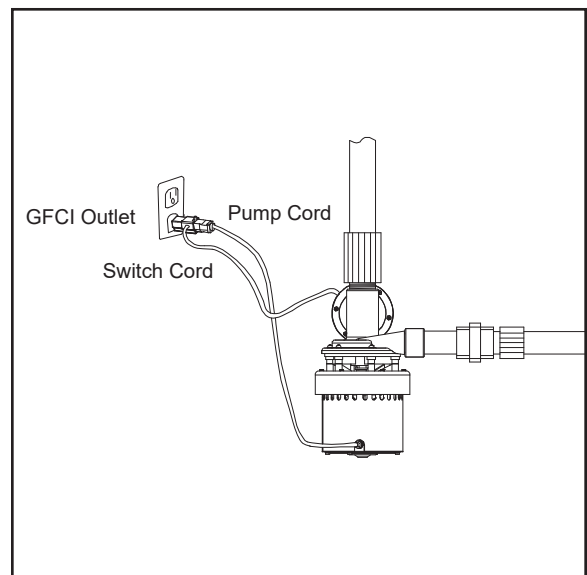
NOTE: 5" space is needed from sink bottom to inlet for proper operation. Do NOT use plumber's pipe threading compound (pipe dope) on plastic pipe, it can damage the plastic, causing leaks and piping failure, voiding the warranty.

1. Place the sink in its final location
2. Remove any existing drain fittings back to the tail piece. Make sure the existing tail piece does not leak.
3. Glue the 1-1/2 in PVC pipe into the female adapter (purchase separately).
4. Wrap the threads of the tail piece with 1 to 1-1/2 turns of PTFE pipe thread sealant tape. Thread the 1-1/2 in NPT female adapter onto the sink-drain tail piece. Thread it hand tight plus 1/2 turn with a pipe wrench or slip joint pliers. DO NOT over tighten.
5. Wrap the threads of the 1-1/2 in. male adapter with 1 to 1-1/2 turns of PTFE pipe thread sealant tape and install it in the pump inlet. Tighten it hand tight plus 1/2 turn with a pipe wrench or slip joint pliers. DO NOT over tighten.
6. Measure the 1-1/2 in. PVC pipe against the drain and the pump and trim the pipe to fit.

7. Do a trial assembly (dry - no glue) of the pump onto the drain pipe. Swing the pump until it accurately faces the discharge piping, and then mark the pump and the inlet pipe/ adapter assembly so that you can accurately install the pump in Step 8. Arrange a temporary support under the pump to relieve the strain on the sink drain piping while the glue is setting. Leave it in place while you measure and cut the discharge piping (Step 12).
8. Slide the pump up into position and glue the pipe into the male adapter (on the pump).
9. Wrap the 1-1/4 in. galvanized nipple with 1-1/2 to 2 turns of PTFE pipe thread sealant tape on each end and thread it into the pipe discharge port. Do NOT overtighten, overtightening can crack the plastic.
10. Hold the nipple with a pipe wrench and thread on half of the 1-1/4 in union onto it, hand tight plus 1-1/2 turns with a pipe wrench or slip-joint pliers.
11. At this time, wrap the threads on both the 1-1/4 in male adapters with 1-1/2 to 2 turns of PTFE pipe thread sealant tape. Thread one of the adapters into the other half of the 1-1/4 in union, hand tight plus 1/2 turn with a wrench or slip-joint pliers. DO NOT over tighten!
12. Install the discharge piping as shown. The order is:
 - a. 1-1/4 in. PVC Pipe cut to fit
 - b. 90° Soc. to Soc. elbow
 - c. 1-1/4 in PVC Pipe cut to fit
 - d. Male adapter
 - e. Flow Control/Ball Valve, Check Valve
 - f. 1-1/4 in. Outlet Pipe
13. Install the check valve in the vertical discharge pipe with threads down. Be sure the arrow points AWAY from the pump. When the check valve is correctly installed, the arrow showing direction of flow should point UP. The vertical height for the check valve to the pipe outlet should be at least 6 feet to avoid check valve leakage.
14. Connect the discharge piping to the building drain.

OPERATING INSTRUCTIONS

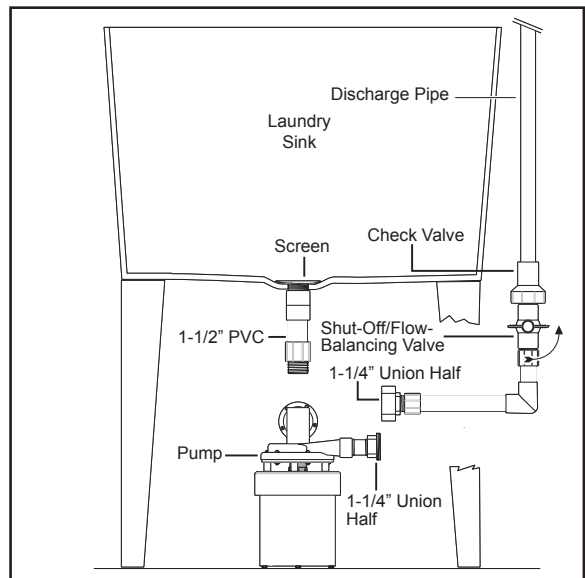
AFTER the pump is completely installed, plug the switch into the GFCI protected, properly grounded outlet. Plug the pump into the back of the switch's plug.



ADJUSTING THE FLOW

The drain pump can pump up to 21 gallons per minute (GPM). Normal sink drains allow only 5 to 6 GPM to flow. Adjust the discharge shut-off/flow balancing valve as follows so that the pump does not cycle on and off when the faucets are on full.

- Run water into the sink. The pump will start when it detects water.
- Check for leaks. IF leaks are found, unplug the pump power cord and fix the leaks before proceeding.
- Put a stopper in the drain and allow the sink to fill up a few inches.
- Open the discharge shut-off valve, open the faucets, and remove the stopper to drain the sink.
- The pump will start. Adjust the discharge shut-off/flow balancing valve until the pump runs continuously while the faucets are running and the sink is draining. If the water level rises with the pump on, slightly open the discharge valve to balance the flow. If it drops, slightly close the discharge valve.



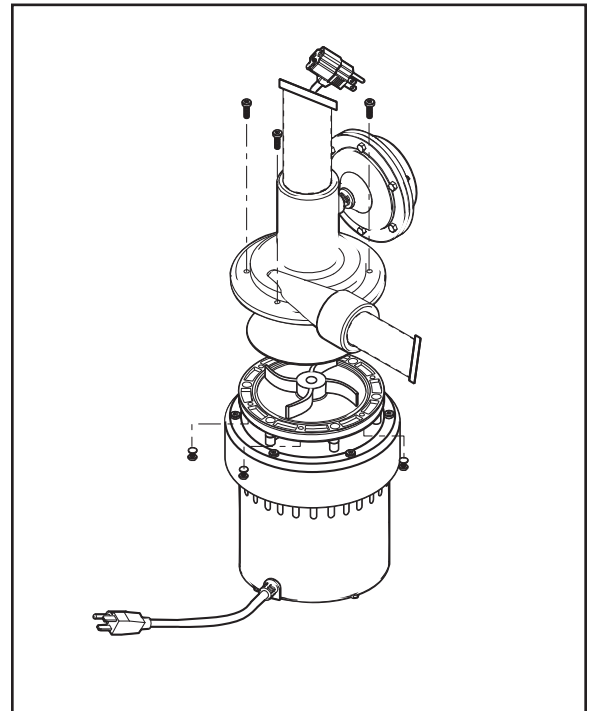
Washing machines usually discharge more water than the faucets do, and it is normal for the water level to rise in the sink while the pump is discharging. Do not adjust the discharge valve to match the flow when the washing machine discharges into it, unless the sink is ONLY used for washing machine discharge.

CARE AND MAINTENANCE

This pump requires very little maintenance and should provide a long service life. Problems are rare; when the pump flow drops off, the most likely cause is something solid going down the drain and jamming the impeller.

TO CLEAR A JAMMED IMPELLER:

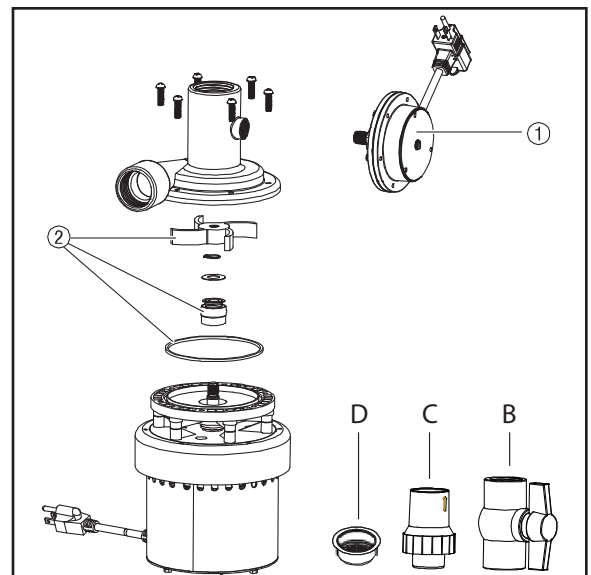
- Unplug the pump
- Close the discharge shutoff valve
- Bail out the sink as much as possible
- Disconnect the union, unscrew the pump from the sink tail piece, lower the pump to the floor, and slide it out from under the sink
- Remove the six housing screws
- Clean out the pump. Make sure that the pump discharge is clear. If necessary, replace the impeller.
- Install the new gasket (included with impeller). Reassemble the pump.
- Raise the pump back into position, thread it back onto the sink tail piece, and reconnect the union.
- Plug in the pump. Run water in the sink until the pump has run at least one complete cycle to make sure the pump is operating correctly and there are no leaks.



PARTS LIST

No.	P/N	Description	Qty.
1	025511	Diaphragm Switch	1
2	025512	Impeller, Gasket, Mechanical Seal	1
D*		Sink Drain Screen	1
C*		1-1/4" NPT x 1-1/4" Slip Check Valve	1
B*		1-1/4" NPT Ball Valve	1

*Available locally



WARRANTY

This product is warranted for one year from the date of purchase. Subject to the conditions hereinafter set forth, the manufacturer will repair or replace to the original consumer, any portion of the product which proves defective due to defective materials or workmanship. This warranty does not cover replacement parts for failure due to normal wear and tear. To obtain warranty service, contact the dealer from whom the product was purchased. The manufacturer retains the sole right and option to determine whether to repair or replace defective equipment, parts or components. Damage due to conditions beyond the control of the manufacturer is not covered by this warranty.

THIS WARRANTY WILL NOT APPLY:

- (a) To defects or malfunctions resulting from failure to properly install, operate or maintain the unit in accordance with printed instructions provided;
- (b) to failures resulting from abuse, accident or negligence or use of inappropriate chemicals or additives in the water;
- (c) to normal maintenance services and the parts used in connection with such service;
- (d) to units which are not installed in accordance with normal applicable local codes, ordinances and good trade practices; and
- (e) if the unit is used for purposes other than for what it was designed and manufactured.

RETURN OF WARRANTED COMPONENTS:

Any item to be repaired or replaced under this warranty must be returned to the manufacturer at Kendallville, Indiana or such other place as the manufacturer may designate, freight prepaid.

THE WARRANTY PROVIDED HEREIN IS IN LIEU OF ALL OTHER EXPRESS WARRANTIES, AND MAY NOT BE EXTENDED OR MODIFIED BY ANYONE. ANY IMPLIED WARRANTIES SHALL BE LIMITED TO THE PERIOD OF THE LIMITED WARRANTY AND THEREAFTER ALL SUCH IMPLIED WARRANTIES ARE DISCLAIMED AND EXCLUDED. THE MANUFACTURER SHALL NOT, UNDER ANY CIRCUMSTANCES, BE LIABLE FOR INCIDENTAL, CONSEQUENTIAL OR SPECIAL DAMAGES, SUCH AS, BUT NOT LIMITED TO DAMAGE TO, OR LOSS OF, OTHER PROPERTY OR EQUIPMENT, LOSS OF PROFITS, INCONVENIENCE, OR OTHER INCIDENTAL OR CONSEQUENTIAL DAMAGES OF ANY TYPE OR NATURE. THE LIABILITY OF THE MANUFACTURER SHALL NOT EXCEED THE PRICE OF THE PRODUCT UPON WHICH SUCH LIABILITY IS BASED.

This warranty gives you specific legal rights, and you may have other rights which vary from state to state. Some states do not allow limitations on duration of implied warranties or exclusion of incidental or consequential damages, so the above limitations may not apply to you.

In those instances where damages are incurred as a result of an alleged pump failure, the Homeowner must retain possession of the pump for investigation purposes.

TROUBLESHOOTING

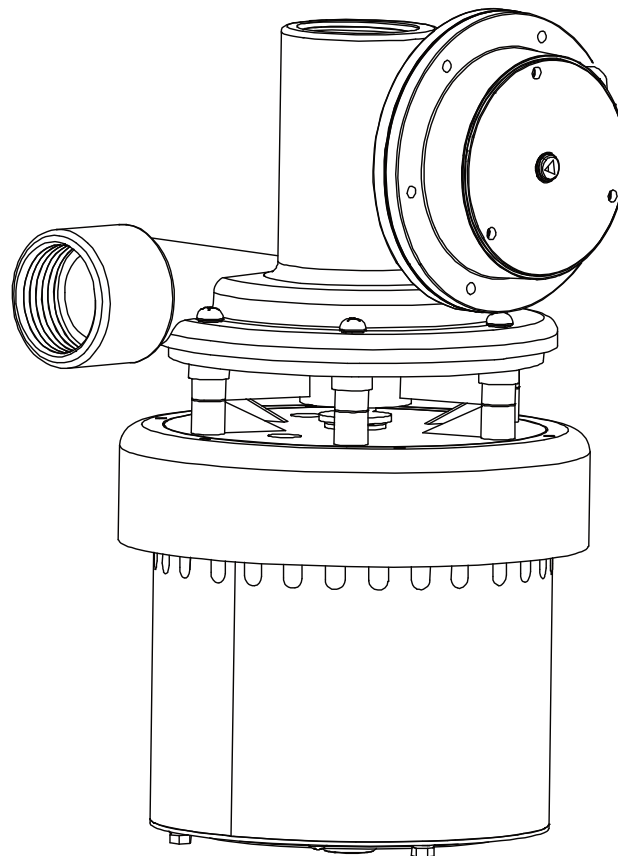


DANGER

RISK OF ELECTRIC SHOCK.

Always disconnect power source before attempting to install, service or maintain the pump. Never handle a pump with wet hands or when standing on wet or damp surface or in water. Fatal electrical shock could occur.

PROBLEM	POSSIBLE CAUSE	CORRECTIVE ACTION
Pump will not run when water flows in from the sink.	1. The pump is unplugged.	1. Plug in the pump.
	2. There is no power to the outlet.	2. Check the fuse/breaker.
	3. The pump impeller is jammed.	3. Unplug the pump and follow the procedure under "Maintenance" to clear the pump.
	4. The sink stopper is in the drain.	4. Remove stopper.
Pump runs but does not empty the sink.	1. The drain is clogged	1. Clear the drain screen.
	2. The discharge line is clogged.	2. Unplug the pump. Then open and clear discharge line.
	3. The shut-off valve is closed.	3. Open shut-off valve slightly.
	4. The system discharge line is too high or too long.	4. Unplug the pump or reduce the height or length of the discharge line (11 ft. max. height)
	5. The check valve is installed backwards.	5. Make sure the flow arrow on the check valve points away from the pump.
Pump cycles on and off when no water is in the sink.	1. Check valve is not installed.	1. Unplug the pump and install the check valve.
	2. Check valve is jammed.	2. Unplug the pump. Then open the discharge line and clean the check valve.
Pump cycles on and off when the sink is at maximum water flow or is full.	1. Shut-off valve is not adjusted.	1. See "Operation Instructions."
	2. Shut-off valve is not installed.	2. Unplug the pump and install a shut-off valve.



ADJUNTE SU RECIBO AQUÍ

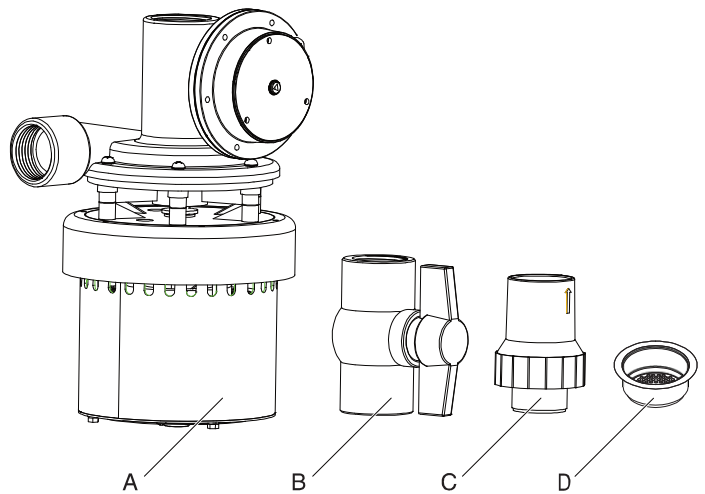
Número de serie _____ Fecha de compra _____



¿Preguntas, problemas, piezas faltantes? Antes de volver a la tienda, llame a nuestro Departamento de Servicio al Cliente al 1-800-742-5044, de lunes a viernes de 7:30 a.m. a 5:00 p.m., hora estándar del Este.

CONTENIDO DEL PAQUETE

Artículo	DESCRIPCIÓN	CANTIDAD
A	Bomba	1
B	Válvula de bola	1
C	Válvula de retención	1
D	Filtro o colador	1



INFORMACIÓN DE SEGURIDAD

Lea y comprenda completamente este manual antes de intentar ensamblar, usar o instalar el producto.

NOTA: Las bombas con la marca “UL” y con la marca “US” se prueban para cumplir con los estándares UL778 de UL. Las bombas con certificación CSA cumplen con el estándar CSA C22.2 No. 108. (CUS.)

IMPORTANTE

- El motor de esta bomba tiene un protector térmico que se activará si el motor se calienta demasiado. El protector se reconfigurará una vez que el motor se enfríe y se haya alcanzado una temperatura aceptable. La bomba puede arrancar inesperadamente si está enchufada.
- Asegúrese de que la fuente de energía eléctrica sea la adecuada para los requisitos de la bomba.
- Esta bomba está hecha de materiales de alta resistencia que protegen contra la corrosión. Proporcionará un servicio sin problemas durante mucho tiempo cuando se instale, mantenga y use de manera apropiada. Sin embargo, la alimentación eléctrica inadecuada a la bomba, la suciedad o los desechos pueden hacer que la bomba falle. Lea atentamente el manual y siga las instrucciones sobre los problemas y las soluciones más comunes de la bomba.

NOTA: Esta bomba no requiere una conexión a un respiradero del bajante principal, según la Sección 11.7.9 del Código Nacional de Plomería (NSPC por sus siglas en inglés) de 2003.

PELIGRO

- No bombee líquidos inflamables o explosivos como aceite, gasolina, queroseno, etanol, etc. No usar en presencia de vapores inflamables o explosivos. El uso de esta bomba con o cerca de líquidos inflamables puede causar una explosión o incendio, lo que puede provocar daños a la propiedad, lesiones personales graves y/o la muerte.
- Desconecte siempre la bomba de su fuente de alimentación antes de darle mantenimiento.
- No toque la carcasa del motor durante el funcionamiento. El motor está diseñado para funcionar a altas temperaturas. No desmonte la carcasa del motor.
- No manipule la bomba o el motor de la bomba con las manos mojadas o cuando esté parado sobre una superficie mojada, húmeda o con agua.

ADVERTENCIA

- Los cables de extensión pueden no suministrar suficiente voltaje al motor de la bomba. Los cables de extensión presentan un peligro mortal si el aislamiento se daña o los extremos de la conexión caen al agua. El uso de un cable de extensión para suministrar energía eléctrica a esta bomba no está permitido.
- Asegure la línea de descarga antes de arrancar la bomba. Una línea de descarga que no esté asegurada puede soltarse bruscamente y posiblemente causar lesiones personales y/o daños materiales.
- Asegúrese de que el circuito eléctrico de la bomba esté protegido por un fusible de 15 amp o un disyuntor.
- Libere toda la presión y drene toda el agua del sistema antes de reparar o darle mantenimiento a cualquier componente.
- Use gafas de seguridad todo el tiempo cuando trabaje con bombas.
- La unidad está diseñada solo para su uso con 115 voltios (monofásico), 60 Hz, y está equipada con un cable de 3 conductores aprobado y un enchufe con conexión a tierra de 3 clavijas. No quite el conector a tierra bajo ninguna circunstancia. El enchufe de 3 clavijas debe insertarse directamente en un receptáculo de 3 clavijas con conexión a tierra instalado y conectado correctamente. No use esta bomba con un tomacorriente de pared de 2 clavijas. Reemplace el tomacorriente de 2 clavijas con un receptáculo de 3 clavijas debidamente conectado a tierra (un tomacorriente GFCI) instalado de acuerdo con el Código Eléctrico Nacional y los códigos y ordenanzas locales. Todo el cableado debe ser efectuado por un electricista calificado. by a qualified electrician.
- Proteja el cable eléctrico de objetos afilados, superficies calientes, aceite y productos químicos. Evite torcer el cordón. No use cables dañados o desgastados.

PRECAUCIÓN

- No levante la bomba por el cable de alimentación.
- Conozca la bomba y sus aplicaciones, limitaciones y riesgos potenciales.
- Cumpla con todas las normas de seguridad y todos los códigos eléctricos locales.

ESPECIFICACIONES

Suministro de electricidad	115V, 60Hz., Circuito de 15 amperios
Rango de temperature del líquido	32°F to 120°F (0°-50°C)
Entrada de la bomba	1-1/2" NPT
descarga de la bomba	1-1/4" NPT

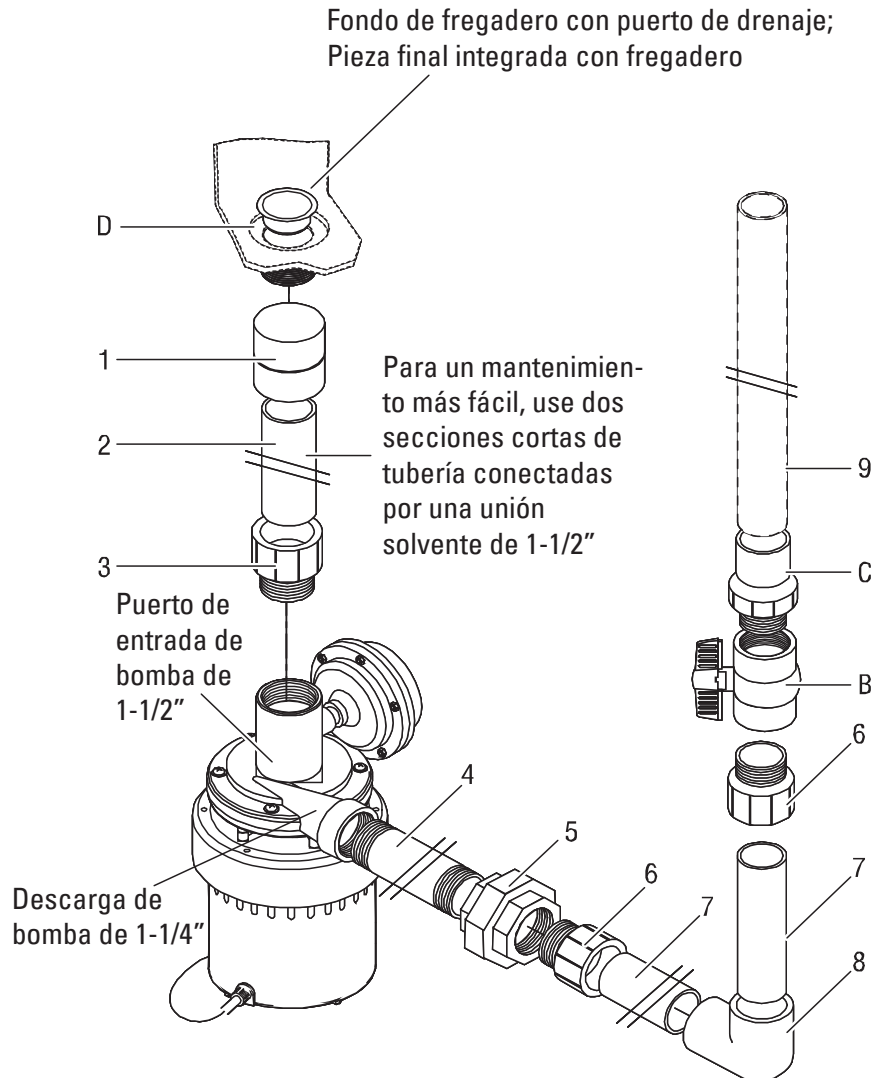
PREPARACIÓN

Materiales requeridos para el ensamblaje:

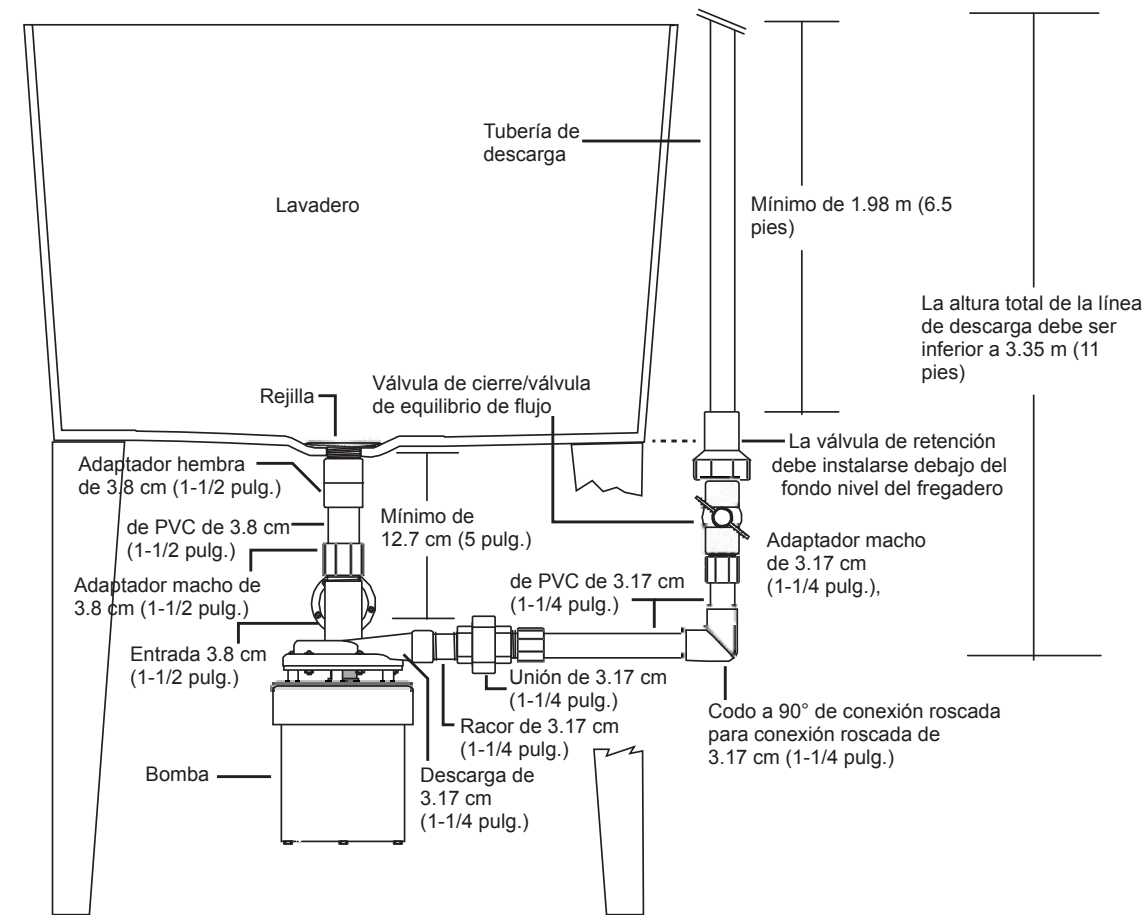
1	Adaptador hembra deslizante NPT de 3.8 cm x 3.8 cm (1-1/2 pulg. x 1-1/2 pulg.)
2	Tubería de PVC Schedule 40 de 3.8 cm (1-1/2 pulg.) (para ajuste)
3	Adaptador macho deslizante NPT de 3.8 cm x 3.8 cm (1-1/2 pulg. x 1-1/2 pulg.)
4	Racor galvanizado NPT de 3.17 cm (1-1/4 pulg.)
5	Unión galvanizada NPT de 3.17 cm (1-1/4 pulg.)
6	Adaptador macho (2) NPT de 3.17 cm x 3.17 cm (1-1/4 pulg. x 1-1/4 pulg.)

7	Tubería de PVC Schedule 40 (2) de 3.17 cm (1-1/4 pulg.) (para ajuste)
8	Codo a 90° de conexión roscada para conexión roscada de 3.17 cm (1-1/4 pulg.)
9	Tubería de PVC Schedule 40 para drenaje de 3.17 cm (1-1/4 pulg.)
	Cemento para tubería de PVC
	Cinta selladora de roscas de tuberías PTFE
	Solvente para unión de PVC de 3.8 cm (1-1/2 pulg.)

Materiales suministrados: Rejilla de drenaje del lavadero, válvula de retención antideslizante NPT de 3.17 cm x 3.17 cm (1-1/4 pulg. x 1-1/4 pulg.), válvula de bola NPT de 3.17 cm (1-1/4 pulg.)



INSTRUCCIONES DE INSTALACIÓN



NOTA: Se necesita un espacio de 12.7 cm (5 pulg.) desde el fondo del lavadero hasta la tubería de entrada para un funcionamiento adecuado. NO use el compuesto sellador para las roscas de tubería de plomería (pegamento para tuberías) en la tubería de plástico, ya que puede dañar el plástico, causar fugas y fallas en la tubería, anulando la garantía.

1. Coloque el lavadero en su lugar definitivo.
2. Reponga cualquier conector del drenaje existente al tubo de desagüe. Asegúrese de que la tubería existente no tenga fugas.
3. Pegue el tubo de PVC de 3.8 cm (1-1/2 pulg.) dentro del adaptador hembra (se compra por separado).
4. Envuelva las roscas de la tubería de desagüe con 1 a 1-1/2 vueltas de cinta selladora de roscas de tubería de PTFE. Enrosque el adaptador hembra NPT de 3.8 cm (1-1/2 pulg.) en la tubería del drenaje del lavadero. Enrósquelo a mano más de 1/2 vuelta con una llave de plomería o alicates para junta deslizante. No apriete demasiado.
5. Envuelva las roscas del adaptador macho de 3.8 cm (1-1/2 pulg.) con 1 a 1-1/2 vueltas de cinta selladora de roscas de tubería de PTFE e instálelo en la entrada de la bomba. Apriételo a mano más de 1/2 vuelta con una llave de plomería o alicates para junta deslizante. No apriete demasiado.
6. Mida la tubería de PVC de 3.8 cm (1-1/2 pulg.) en proporción con el drenaje y la bomba y recorte la tubería para que encaje.

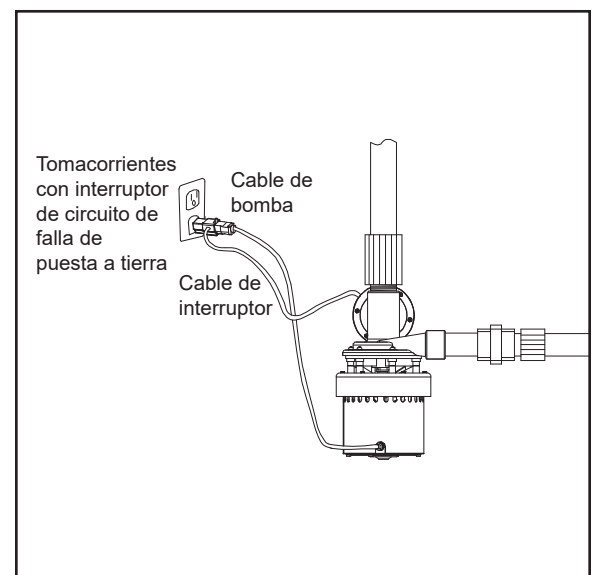
7. Haga un ensamblaje de prueba (en seco - sin pegamento) de la bomba en la tubería de drenaje. Gire la bomba hasta que esté de frente exactamente a la tubería de descarga, y luego marque la bomba y el ensamblaje del tubo de entrada/adaptador para que pueda instalar la bomba con precisión en el Paso 8. Prepare un soporte temporal debajo de la bomba para aliviar la tensión en la tubería de drenaje del lavadero mientras se aplica el pegamento. Déjelo en su lugar mientras mide y corta la tubería de descarga (Paso 12).
8. Deslice la bomba hacia arriba en su posición y pegue la tubería en el adaptador macho (en la bomba).
9. Envuelva el racor galvanizado de 3.17 cm (1-1/4 pulg.) con 1-1/2 a 2 vueltas de cinta selladora de roscas de tubería de PTFE en cada extremo y enrósquelo en el puerto de descarga de la tubería. NO apriete en exceso, apretar demasiado puede romper el plástico.
10. Sujete el racor con una llave de plomería y enrosque la mitad de la unión de 3.17 cm (1-1/4 pulg.) en él, apriete a mano más 1-1/2 vueltas con una llave de plomería o alicates para junta deslizante.
11. Ahora, envuelva las roscas de los adaptadores macho de 3.17 cm (1-1/4 pulg.) con 1-1/2 a 2 vueltas de cinta selladora de roscas de tubería de PTFE. Enrosque

uno de los adaptadores en la otra mitad de la unión de 3.17 cm (1-1/4 pulg.), apriete a mano más 1/2 vuelta con una llave o alicates para junta deslizante. No apriete demasiado.

12. Instale la tubería de descarga como se muestra. El orden es:
 - a. 3.2 cm (1-1/4 pulg.) Tubo de PVC cortado para que encaje
 - b. Codo a 90° de conexión roscada para conexión roscada
 - c. Tubería de PVC de 3.17 cm (1-1/4 pulg.) cortado para que encaje
 - d. Adaptador macho
 - e. Control de flujo/Válvula de bola, válvula de retención
 - f. 3.2 cm (1-1/4 pulg.) Tubería de salida.
13. Instale la válvula de retención en el tubo de descarga vertical con las roscas hacia abajo. Asegúrese de que la flecha apunte EN SENTIDO OPUESTO A la bomba. Cuando la válvula de retención esté instalada correctamente, la flecha que muestra la dirección del flujo debe apuntar hacia ARRIBA. La altura vertical de la válvula de retención a la salida de la tubería debe ser de al menos 1.82 m (6 pies) para evitar fugas en la válvula de retención.
14. Conecte la tubería de descarga al drenaje del edificio.

INSTRUCCIONES DE FUNCIONAMIENTO:

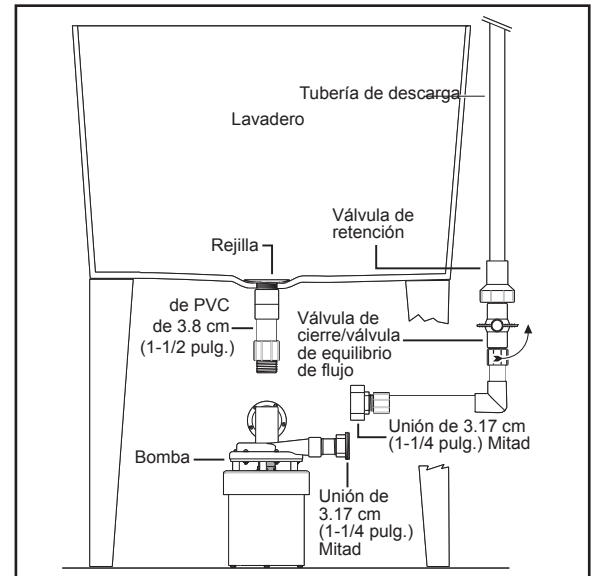
DESPUÉS de que la bomba esté completamente instalada, enchufe el interruptor en el tomacorriente con conexión a tierra protegido por GFCI. Enchufe la bomba en la parte posterior del enchufe del interruptor.



AJUSTE DEL FLUJO

La bomba de drenaje puede bombear hasta 21 galones por minuto (GPM). Los desagües normales del lavadero permiten que solo fluyan de 5 a 6 galones por minuto. Ajuste la válvula de cierre de descarga/equilibrio de flujo de la siguiente manera para que la bomba no se active y desactive cuando los grifos estén abiertos completamente.

- Deje correr el agua dentro del lavadero. La bomba arrancará cuando detecte el agua.
- Compruebe si hay fugas. Si se encuentran fugas, desconecte el cable de alimentación de la bomba y repare las fugas antes de continuar.
- Coloque un tapón en el desagüe y permita que el lavadero se llene unos centímetros.
- Abra la válvula de cierre de descarga, abra los grifos y retire el tapón para drenar el lavadero.
- La bomba arrancará. Ajuste la válvula de cierre de descarga/equilibrio de flujo hasta que la bomba funcione continuamente mientras los grifos estén abiertos y el lavadero esté drenando. Si el nivel del agua sube con la bomba encendida, abra ligeramente la válvula de descarga para equilibrar el flujo. Si baja, cierre ligeramente la válvula de descarga.



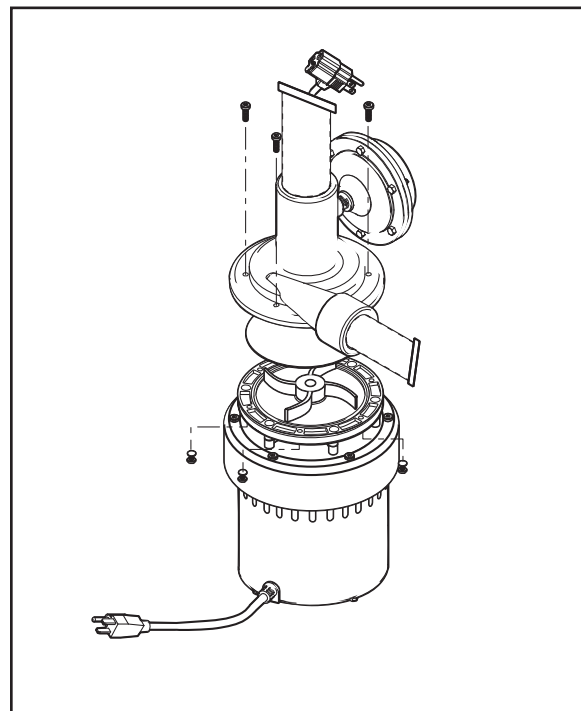
Las lavadoras generalmente descargan más agua que los grifos, y es normal que el nivel del agua suba en la tina del lavadero mientras la bomba se descarga. No ajuste la válvula de descarga para que coincida con el flujo cuando la lavadora descargue en ella, a menos que el lavadero SOLO se use para la descarga de la lavadora.

CUIDADO Y MANTENIMIENTO

Esta bomba requiere muy poco mantenimiento y debe proporcionar una larga vida útil. Los problemas son raros; cuando el flujo de la bomba cae, la causa más probable es que algo sólido se haya ido por el desagüe y haya atascado el impulsor.

PARA LIMPIAR UN IMPULSOR ATASCADO:

- Desenchufe la bomba
- Cierre la válvula de línea de descarga.
- Elimine todo el agua posible del lavadero
- Desconecte la unión, desenrosque la bomba de la tubería de desagüe del lavadero, baje la bomba al piso y deslícela hacia fuera desde abajo del lavadero.
- Retire los seis tornillos de la carcasa
- Limpie la bomba. Asegúrese de que la línea de descarga de la bomba esté limpia. Si es necesario, reemplace el impulsor.
- Instale la nueva junta (incluida con el impulsor). Vuelva a armar la bomba.
- Levante la bomba de nuevo a su posición, vuelva a enroscarla en la tubería de desagüe del lavadero y vuelva a conectar la unión.

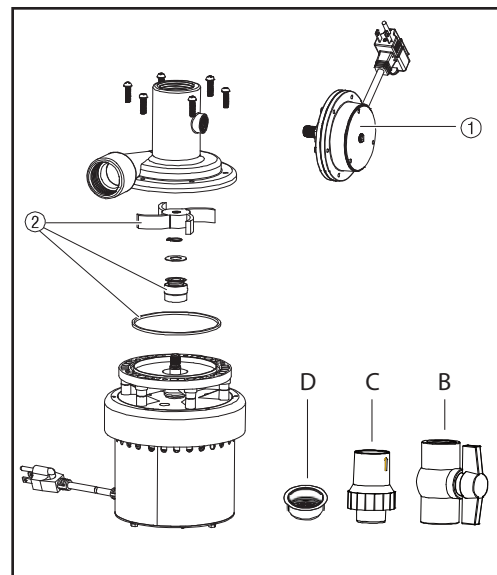


- Enchufe la bomba. Haga correr el agua en el lavadero hasta que la bomba haya ejecutado al menos un ciclo completo para asegurarse de que esté funcionando correctamente y que no haya fugas.

LISTA DE PIEZAS

Pieza	Pieza No.	Descripción	Cantidad
1	025511	Interruptor de diafragma	1
2	025512	Impulsor, Junta, Sello mecánico	1
D*		Rejilla de drenaje del lavadero	
C*		Válvula de retención antideslizante NPT de 3.17 cm x 3.17 cm (1-1/4 pulg. x 1-1/4 pulg.)	
B*		Válvula de bola NPT de 3.17 cm (1-1/4 pulg.)	

*Disponible a nivel local.



WARRANTY

Este producto cuenta con una garantía de un año a contar de la fecha de compra. Sujeto a las condiciones establecidas en el presente, el fabricante reparará o reemplazará, para el consumidor original, cualquier parte del producto que se compruebe que está defectuosa debido a defectos en los materiales o la mano de obra. Esta garantía no cubre las piezas de repuesto por falla debido a desgaste normal. Para obtener los servicios de garantía, póngase en contacto con el distribuidor donde adquirió el producto. El fabricante se reserva el derecho y la opción exclusivos de determinar la reparación o el reemplazo de equipos, piezas o componentes defectuosos. Los daños causados por condiciones que escapen del control del fabricante no están cubiertos por esta garantía.

ESTA GARANTÍA NO SE APLICARÁ:

- (a) a defectos o mal funcionamiento como resultado de una falla en la instalación, operación o mantenimiento de la unidad según lo indicado en las instrucciones impresas provistas;
- (b) a los fallos resultantes del abuso, accidentes o negligencia o uso inapropiado de productos químicos o aditivos en el agua,
- (c) a los servicios de mantenimiento normativos y las piezas utilizadas en conexión con dichos servicios;
- (d) a unidades que no se instalaron según los códigos normativos locales, las ordenanzas o las buenas prácticas comerciales aplicables; y
- (e) si la unidad se utiliza para fines para los cuales no está destinada ni fabricada.

DEVOLUCIÓN DE COMPONENTES EN GARANTÍA: Cualquier elemento a ser reparado o reemplazado bajo esta garantía debe ser devuelto al fabricante en Kendallville, Indiana o a cualquier otro lugar que el fabricante pueda designar, con flete prepagado.

LA GARANTÍA QUE SE PROPORCIONA EN EL PRESENTE REEMPLAZA A TODAS LAS DEMÁS GARANTÍAS EXPLÍCITAS Y NO PUEDE SER EXTENDIDA NI MODIFICADA POR NADIE. CUALQUIER GARANTÍA IMPLÍCITA ESTARÁ LIMITADA AL PERÍODO DE LA GARANTÍA LIMITADA Y, POR CONSIGUIENTE, SE RECHAZAN Y SE EXCLUYEN TODAS DICHAS GARANTÍAS IMPLÍCITAS. BAJO NINGUNA CIRCUNSTANCIA, EL FABRICANTE SERÁ RESPONSABLE DE DAÑOS ACCIDENTALES, RESULTANTES O ESPECIALES, INCLUIDOS, ENTRE OTROS, LOS DAÑOS A LA PROPIEDAD O AL EQUIPO, O LA PÉRDIDA DE ESTOS, LA PÉRDIDA DE GANANCIAS, INCONVENIENTES U OTROS DAÑOS ACCIDENTALES O RESULTANTES DE CUALQUIER TIPO O NATURALEZA. LA RESPONSABILIDAD DEL FABRICANTE NO SUPERARÁ EL PRECIO DEL PRODUCTO SOBRE EL CUAL SE BASA DICHA RESPONSABILIDAD.

Esta garantía le otorga derechos legales específicos, pero usted podría tener otros derechos que varían según el estado. Algunos estados no permiten las limitaciones sobre la duración de las garantías implícitas, o la exclusión de los daños accidentales o resultantes, de modo que las limitaciones mencionadas anteriormente podrían no aplicarse en su caso.

En aquellas instancias en que haya daños causados por una presunta falla de la bomba, el propietario deberá conservar la bomba a fin de investigar dicha falla.

SOLUCIÓN DE PROBLEMAS



PELIGRO

RIESGO DE DESCARGA ELÉCTRICA.

Siempre desconecte la alimentación eléctrica antes de instalar la bomba o realizar actividades de servicio o mantenimiento. Nunca manipule la bomba con las manos mojadas o si está de pie en agua o sobre una superficie húmeda o mojada, ya que podría ocurrir una electrocución fatal.

PROBLEMA	CAUSA POSIBLE	ACCIÓN CORRECTIVA
La bomba no funciona cuando el agua fluye desde el lavadero.	1. La bomba está desenchufada.	1. Enchufe la bomba.
	2. No hay energía en el tomacorriente.	2. Verifique el fusible/disyuntor.
	3. El impulsor de la bomba está atascado.	3. Desenchufe la bomba y siga el procedimiento bajo "Mantenimiento" para limpiar la bomba.
	4. El tapón del fregadero está en el desagüe.	4. Quite el tapón.
La bomba funciona pero no vacía el lavadero.	1. El desagüe está obstruido	1. Limpie la rejilla de drenaje.
	2. La línea de descarga está obstruida	2. Desenchufe la bomba. Luego abra y despeje la línea de descarga.
	3. La válvula de cierre está cerrada	3. Abra la válvula de cierre ligeramente.
	4. La línea de descarga del sistema es demasiado alta o demasiado larga.	4. Desenchufe la bomba o reduzca la altura o la longitud de la línea de descarga (altura máxima de 3.35 m [11 pies])
	5. La válvula de retención está instalada al revés.	5. Asegúrese de que la flecha de flujo en la válvula de retención apunte en sentido opuesto de la bomba.
La bomba se enciende y se apaga cuando no hay agua en el lavadero.	1. La válvula de retención no está instalada.	1. Desenchufe la bomba e instale la válvula de retención.
	2. La válvula de retención está atascada.	2. Desenchufe la bomba. Luego abra la línea de descarga y limpie la válvula de retención.
La bomba se enciende y se apaga cuando el lavadero tiene el flujo de agua máximo o está lleno.	1. La válvula de cierre no está ajustada.	1. Consulte las "Instrucciones de funcionamiento".
	2. La válvula de cierre no está instalada.	2. Desenchufe la bomba e instale una válvula de cierre.