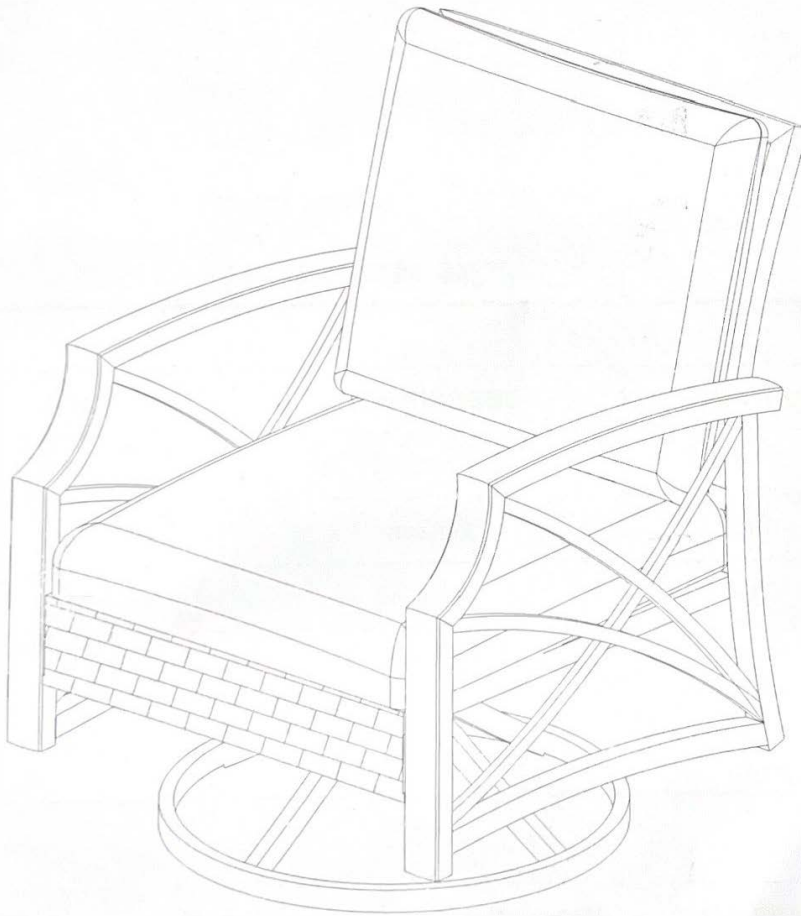
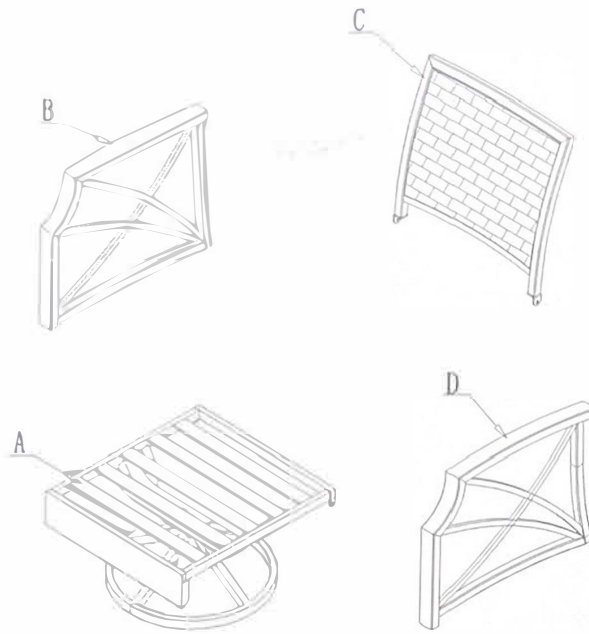


Swivel Chair

Instruction Manual







EXPLODED VIEW



PART LIST

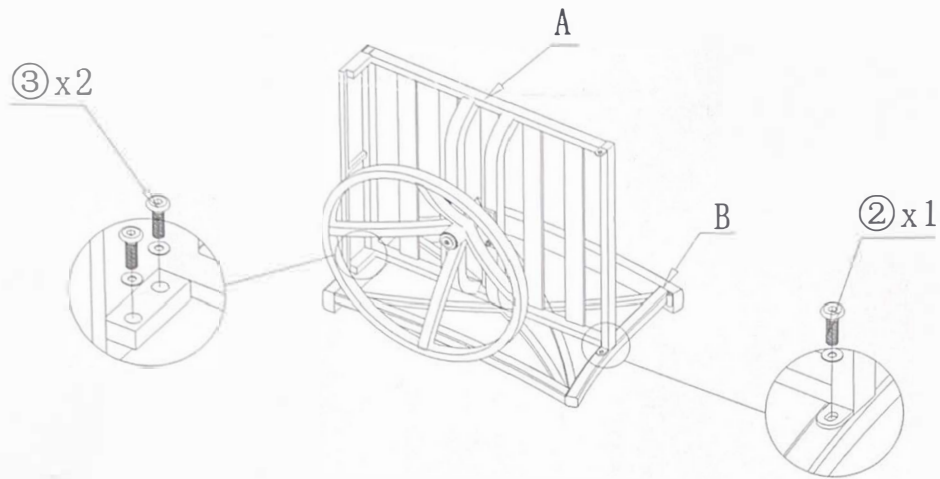
PART NO.	DESCRIPTION	QTY
A	Seat panel	1
B	Left arm	1
C	Back panel	1
D	Right arm	1




SCREW PACKAGE

PART NO.	Description	Picture	QTY
①	Washer		8
②	Screw M6*20mm		4
③	Screw M6*35mm		6
④	Allen Key		1

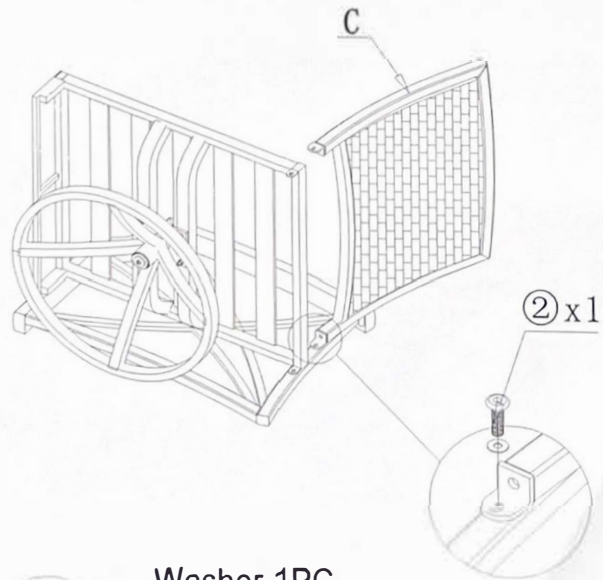
ASSEMBLY INSTRUCTIONS

Step 1



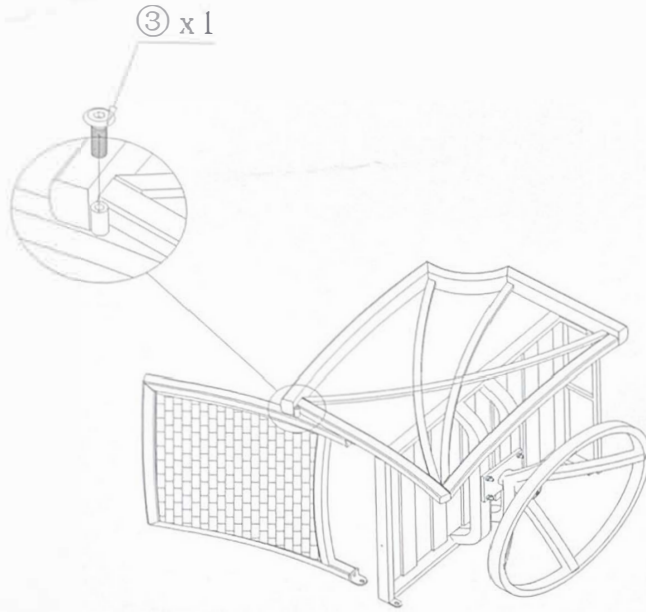
- ①  Washer 3PCS
- ②  M6*20 1PC
- ③  M6*35 2PCS


Step 2



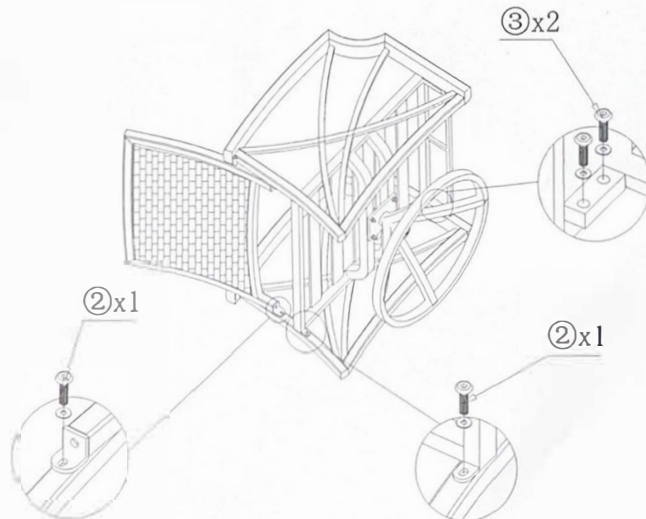
- ①  Washer 1PC
- ②  M6*20 1PC




Step 3



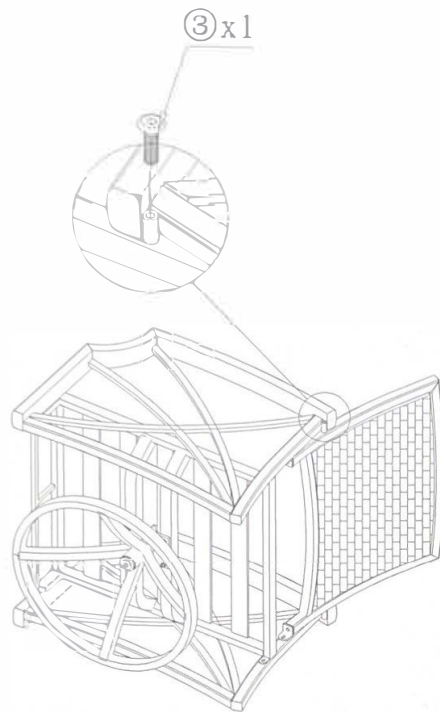
③  M6*35 1PC

Step 4



①  Washer 4PCS
②  M6*20 2PCS
③  M6*35 2PCS

Step 5



③



M6*35 1PC