



# Wireless Remote Control Instructions

ITEM #10800001P

Polestar wireless remote works lets you operate your winch from up to 75 ft. without cables or switches. Just press the remote transmitter and you're ready to operate your winch Start, stop, in or out.

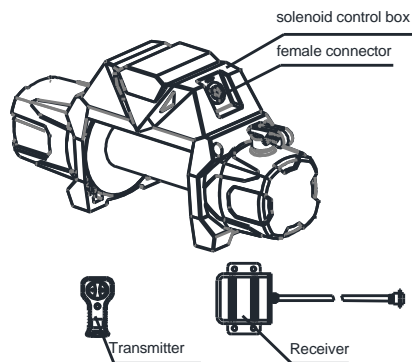
- ◆ Remote range up to 75 ft.
- ◆ Transmitter equipped with long life.
- ◆ Battery and power saver circuit.
- ◆ Transmitter & receiver.
- ◆ Visual indicator light shows remote operation.
- ◆ Additional transmitters available to operate receiver.
- ◆ Installs in minutes.
- ◆ Transmitter replacement battery readily available.

**WARNING:** The Wireless Remote is designed for use on front mount self-recovery winches only. The remote is not designed for and should not be used on winches or hoists in industrial applications (commercial car haulers/carriers, wreckers, cranes, etc.) or for any other remote controlled applications.

## Part List:

1. one transmitter.
2. one receiver with connector.

## Installation and operating instructions:



We suggest operate your winch as follows:

1. Disengage the clutch of your winch.
2. Pull out the winch wire rope about 1.5 meters.
3. Reengage the clutch of your winch.
4. Insert the plug of the receiver into the winches control box female connector
5. Put your receiver at a certain place.
6. Keep the antenna of receiver out and straight.
7. Pull out the antenna of transmitter, and move down the cover of your transmitter, bare out the control button.
8. Press the button, you can operate your winch start, stop, in and out.

## Trouble Solving:

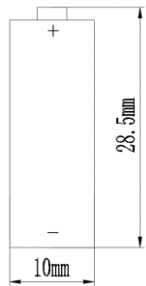
SYMPTOM	POSSIBLE CAUSE	SUGGESTED ACTION
Motor turns, but Winch does not work,	Defective winch.	Check the winch Operating instructions.
Motor does not turn, but you can hear "Click" sound in the receiver	Receiver Loose connections to the winch.	Reinsert the wire.
	Defective winch.	Check the winch Operating instructions.
Motor runs in one direction only	Receiver Loose connections to the winch.	Reinsert the wire.
	Defective winch.	Check the winch Operating instructions.
No actions	Receiver and transmitter does not matching.	return to the manufacture to rematch.

**Battery replacement for transmitter:**

Battery parameters: 12V23A battery capacity: 50mAh

Battery quantity: 2 battery type: MN21

Battery sizes as below:

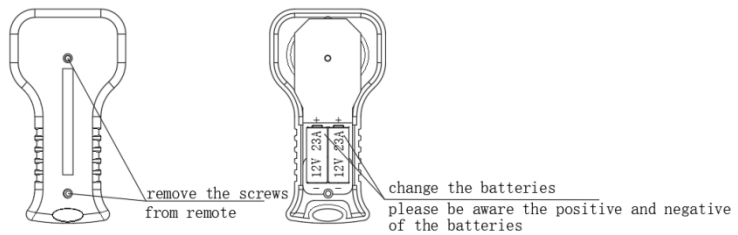


Way to replace battery:

A、 Remove the screw from remote as below image;

B、 Take out old batteries inside;

C install the new batteries inside;



**Remark:**

Please be aware the positive and negative of the battery