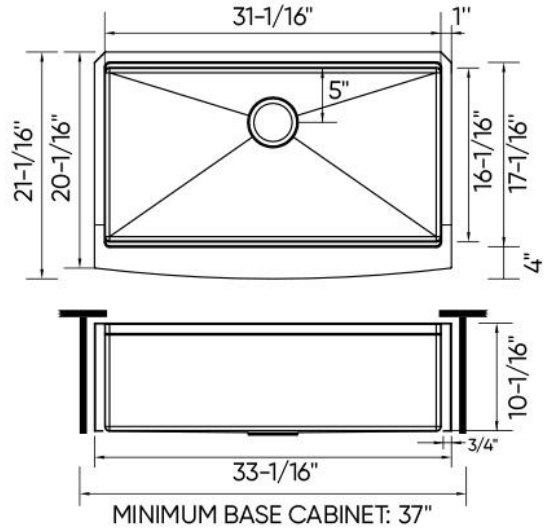


### Sinber Kitchen Sink Introduction

**KSS0004S-OL**



**Sink Net Weight: 26.01 lbs**

16 Gauge Stainless Steel 33" L x 21" W Farmhouse Kitchen Sink with Basket Strainer (Set of 8)			
<b>Installation Type</b>	Apron	<b>Sink Shape</b>	Rectangular
<b>Primary Material</b>	304 Stainless Steel	<b>Stainless Steel Gauge</b>	16
<b>Resistance Type</b>	Scratch; Stain; Rust; Heat; Fade	<b>Sound Dampening</b>	Yes
<b>Finish</b>	Satin	<b>Craftsmanship Type</b>	Handmade
<b>Overall Dimensions</b>	33" L x 21" W x 10" H	<b>Basin</b>	16" W x 31" L x 10" D
<b>Drain Diameter</b>	5"	<b>Drain Placement</b>	Center
<b>Number of Faucet Holes</b>	0	<b>Supplier Intended and Approved Use</b>	Residential Use; Non Residential Use
<b>cUPC Certificates</b>	Yes	<b>Warranty</b>	Lifetime Limited
<b>Installation Required</b>	Yes	<b>Cut Out Template Included</b>	Yes
<b>Package Includes:</b> Drain Assembly, Basket Strainer (Stainless Steel), Sink Grid (Stainless Steel), Protective Bumpers, Protective Feet, Colander, Cutting Board, Mounting Hardware.			