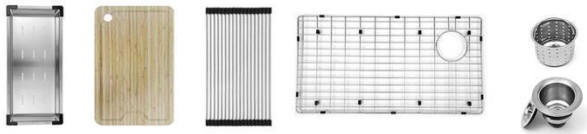
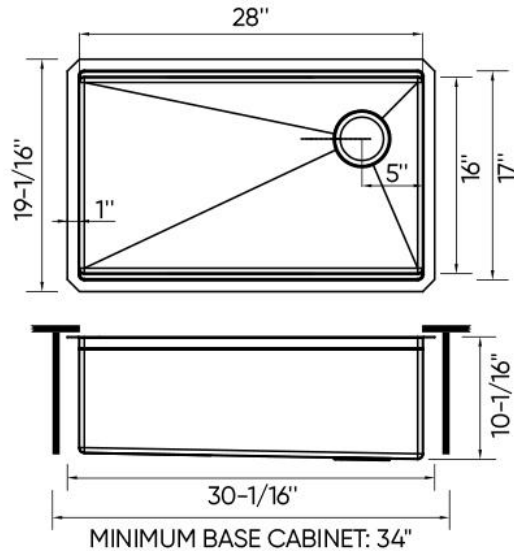


Sinber Kitchen Sink Introduction

KSS0002S-OL



Sink Net Weight: 23.15 lbs

KSS0002S-OL 30" L x 19" W Undermount Kitchen Sink			
Installation Type	Undermount	Sink Shape	Rectangular
Primary Material	304 Stainless Steel	Stainless Steel Gauge	16
Resistance Type	Scratch; Stain; Rust; Heat; Fade	Sound Dampening	Yes
Finish	Satin	Craftsmanship Type	Handmade
Kitchen Sink Workstation	Yes	Overall Dimensions	30" L x 19" W x 10"H
Basin	16" W x 28" L x 10" D	Drain Placement	Right
Number of Faucet Holes	0	Supplier Intended and Approved Use	Residential Use; Non Residential Use
cUPC Certificates	Yes	Warranty	Lifetime Limited
Installation Required	Yes	Cut Out Template Included	Yes
Package Includes: Drain Assembly, Basket Strainer (Stainless Steel), Sink Grid (Stainless Steel), Protective Bumpers, Protective Feet, Colander, Cutting Board, Mounting Hardware.			