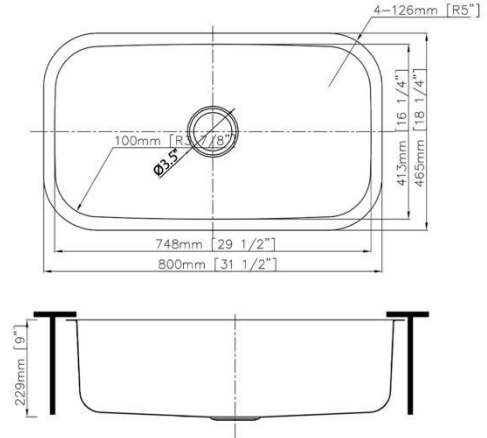


Sinber Kitchen Sink Introduction



Minimum Base Cabinet: 34 inches
Sink Net Weight: 23.3 lbs

31" Undermount Singel Bowl 304 Stainless Steel Kitchen Sink			
Installation Type	Undermount	Sink Shape	Rectangular
Primary Material	304 Stainless Steel	Stainless Steel Gauge	18
Resistance Type	Scratch; Stain; Rust; Heat; Fade	Sound Dampening	Yes
Finish	Satin	Craftsmanship Type	Machine
Number of Basins	1	Overall Dimensions	31" L x 18" W
Basin	16" W x 29" L x 9" D	Drain Placement	Center
Number of Faucet Holes	0	Supplier Intended and Approved Use	Residential Use; Non Residential Use
cUPC Certificates	Yes	Warranty	Lifetime Limited
Installation Required	Yes	Cut Out Template Included	Yes
Package Includes: Undermount sink, mounting hardware and cut-out template.			