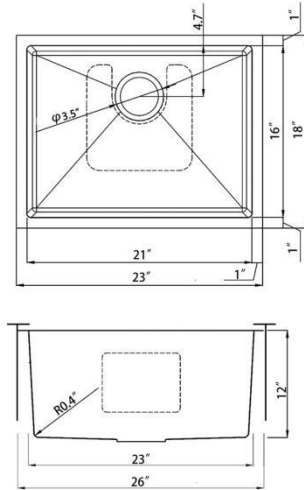
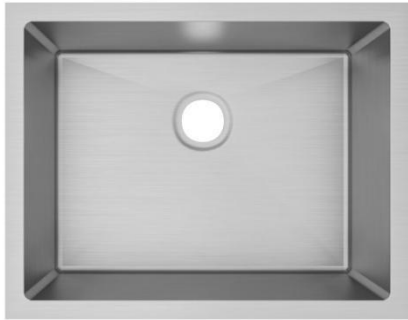


Sinber Kitchen Sink Introduction

HU2318S-12-S



Minimum Base Cabinet: 26 inches
Sink Net Weight: 14.3 lbs

HU2318S-12-S 23" L x 18" W Undermount Kitchen Sink			
Installation Type	Undermount	Sink Shape	Rectangular
Primary Material	304 Stainless Steel	Stainless Steel Gauge	18
Resistance Type	Scratch; Stain; Rust; Heat; Fade	Sound Dampening	Yes
Finish	Satin	Craftsmanship Type	Handmade
Overall Dimensions	23" L x 18" W	Basin	16" W x 21" L x 12" D
Basin	16" W x 21" L x 12" D	Drain Placement	Center
Number of Faucet Holes	0	Supplier Intended and Approved Use	Residential Use; Non Residential Use
cUPC Certificates	Yes	Warranty	Lifetime Limited
Installation Required	Yes	Cut Out Template Included	Yes
Package Includes: Undermount sink, mounting hardware and cut-out template.			