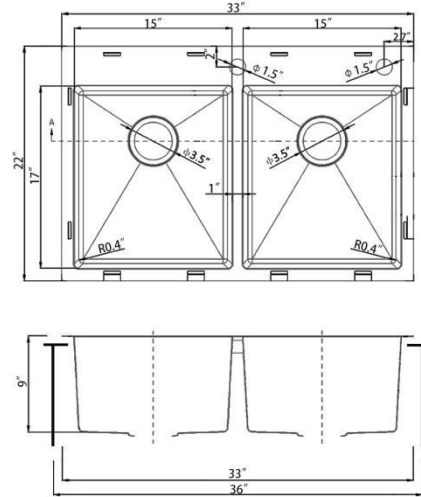
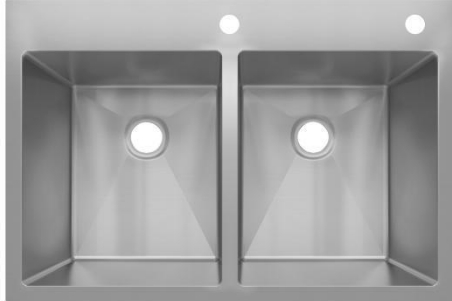


Sinber Kitchen Sink Introduction

HT3322D-9-S



Minimum Base Cabinet: 36 inches
Sink Net Weight: 25.57 lbs

HT3322D-9-S 33" L x 22" W Double Basin Drop-In Kitchen Sink			
Installation Type	Drop-in	Sink Shape	Rectangular
Primary Material	304 Stainless Steel	Stainless Steel Gauge	18
Resistance Type	Scratch; Stain; Rust; Heat; Fade	Sound Dampening	Yes
Finish	Silver	Craftsmanship Type	Handmade
Number of Basins	2	Basin Split	50/50
Hole Diameter	1.5"	Drain Placement	Center
Number of Faucet Holes	3	Supplier Intended and Approved Use	Residential Use; Non Residential Use
cUPC Certificates	Yes	Warranty	Lifetime Limited
Installation Required	Yes	Cut Out Template Included	Yes
Package Includes: Countertop sink, mounting hardware and cut-out template.			