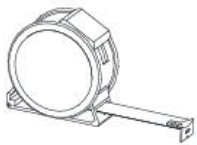


Installation Instructions

Drop-in Stainless Steel Sinks



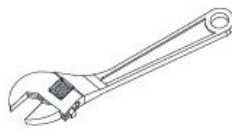
Tools You Will Need



Measuring tape



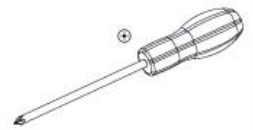
Pencil



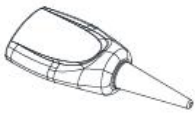
Wrenches



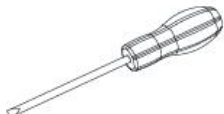
Safety goggles



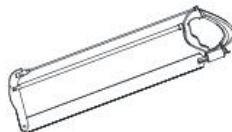
Phillips screwdriver



Silicone sealant



Flathead screwdriver



Hacksaw



Electric drill



Saber saw or jig saw

INSTALLATION TIPS

- For optimum installation results homeowners, cabinet makers, countertops, and sink installers should all be involved in the planning and installation process.
- The manufacturer suggests this sink be installed by a locally licensed professional and recommends using the actual sink to determine the final cabinet and countertop dimensions.
- Prior to installation be sure to inspect the sink for damage. The manufacturer is not responsible for damage caused during installation or by improper installation.
- Be sure to use proper tools and always wear personal protective equipment for your safety.
- Caution: Metal edges may be sharp – handle with care.



Drop-in Stainless Steel Sinks

Installation / Installation / Instalación

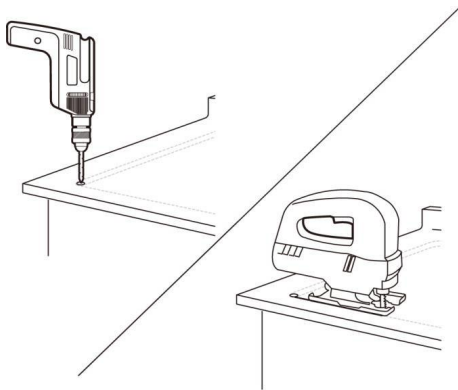
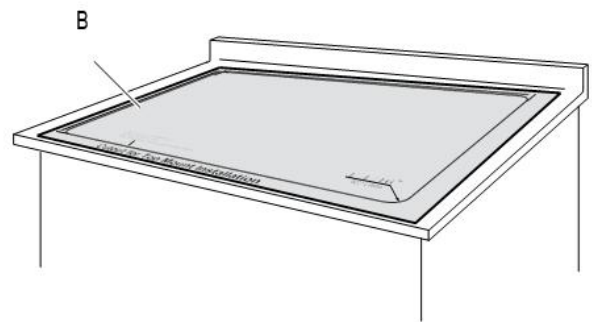
Drop-in sinks are sinks that are attached from above the countertop. These instructions are for installing 1858 Brand drop-in stainless steel sinks in a solid surface countertop only. The manufacturer recommends that drop-in sinks be installed by a professional installer for best results.

Please carefully read the complete instructions before beginning installation.

Step 1 – Preparing the countertop

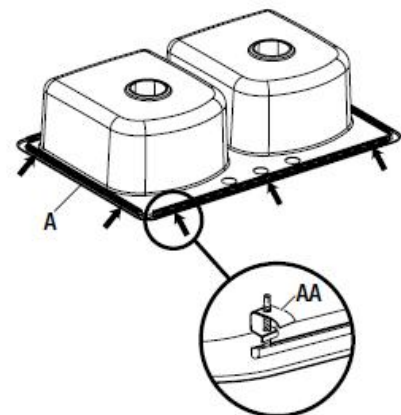
Place the template (B) on the countertop. Ensure the template is centered on the counter so that it is parallel to the counter edge and that the installation hole will not interfere with the structure of the cabinet.

Tape the template (B) to the countertop to keep it in place and trace the cutout line on the template (B) with a pencil.



Step 2 – Cutting the installation hole

Drill a pilot hole and cut the countertop opening. Use the appropriate cutting tool for the surface you are cutting and cut along the inside of the template line.



Step 3 – Attaching the mounting clips

Attach the top mount clips (AA) at the corners of the sink (A) and space the rest evenly around the sink(A)

1858 Brands recommends that all countertops be cut by an approved or certified installer and that the sinks be installed by the installer whenever possible. The countertop/sink unit ideally should be installed as one on the job site. Please carefully read all instructions before beginning installation.



Drop-in Stainless Steel Sinks

Installation / Installation / Instalación

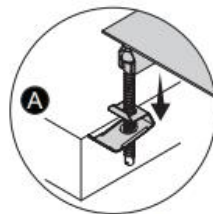
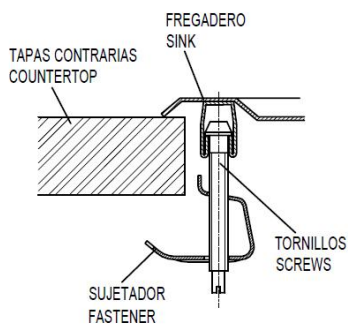
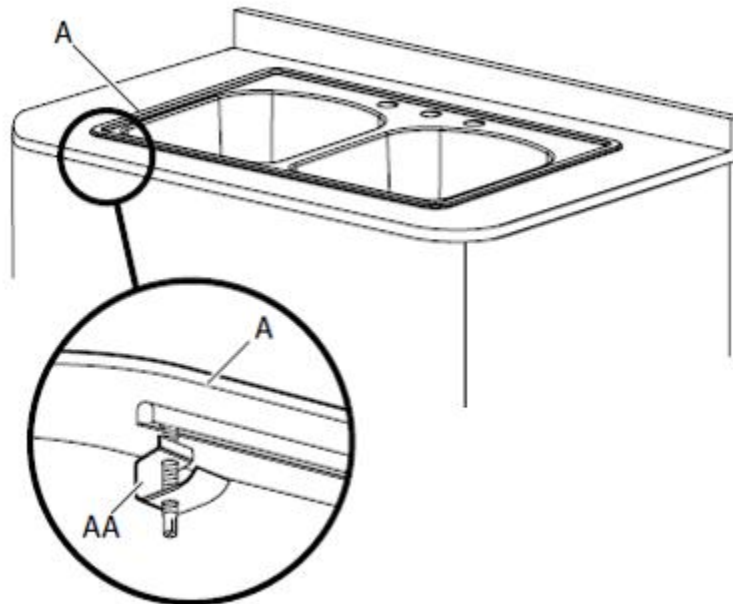
Step 4 – Installing the sink

Apply the silicone sealant (not included) around the underside and lip of the sink (A).

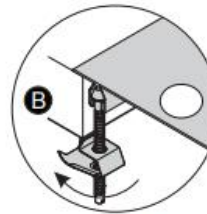
Carefully put the sink (A) into the counter.

Tighten the screws on the installation clips (AA) evenly until the sink is flush with the counter. Do not over-tighten.

Wipe excess sealant with a rag.



Insert the sink



Rotate the clip



Tighten to secure sink



Installation / Installation / Instalación

Care & Cleaning Guidelines

Cleaning

- Daily, regular cleaning to remove dirt and prevent staining is recommended. Use liquid dish detergent, water, and a soft household sponge.
- Mild, non-abrasive cleaners can be used with a nylon scrub pad. To ensure a uniform appearance on a stainless steel sink surface, rinse with water and wipe down the sink with a soft, dry cloth. Drying the sink will prevent water spots caused by time in the water.
- Remove stubborn stains from lime or calcium deposits by pouring a little warm vinegar or vinegar-based cleaner into the sink and allowing it to sit for a few minutes. Rinse with clean water and dry.

Please note chlorides are found in almost all soap, detergents, bleaches, and cleansers. Chlorides can be harsh on stainless steel. Rinse your sink thoroughly after each use to remove any chloride residue.

Scratches

Scratches are inevitable during your usage over time. To treat, use a nylon pad with an iron-free abrasive polishing compound. Follow the original polish lines to blend out the scratch in a small area. Be cautious not to overdo the process, as cleaning too aggressively could result in a bright spot.

Rust Spots

Stainless steel does not rust. Rust stains are the result of iron particles introduced by water, cookware, and steel wool pads that react with water to create rust. Metal cleaners will remove rust spots.

Food Stains

Depending on the severity of the stain, use a bleach and water solution or pour the bleach onto a cloth and cover the stain. Allow the bleach to sit for at least 1/2 hour and then clean with dish detergent and water.

Some Don'ts

- DO NOT use strong abrasive cleaners, metal scrub pads, or steel wool. These will scratch the surface.
- DO NOT leave rubber mats or sponges inside the sink. Water trapped below could lead to stains.
- DO NOT let food with a high salt content sit inside the sink for prolonged periods of time.
- DO NOT allow chlorine bleach to sit inside a stainless steel sink for more than 1 hour.
- DO NOT allow drain cleaners to come into contact with the sink surface.
- DO NOT pour paint into your sink. The chemicals in acrylic paint will react with sinks if allowed to sit over 24 hours and will produce permanent marks. For latex-based paints, remove any residue immediately using a paint remover manufactured by the same brand. Consult the paint remover recommendations before using it on the sink. For all sinks, we also recommend nail polish remover, rubbing alcohol, or an acetone-based paint remover to eliminate paint residue.

