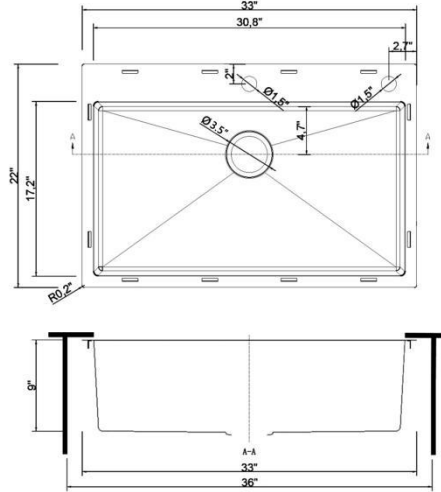
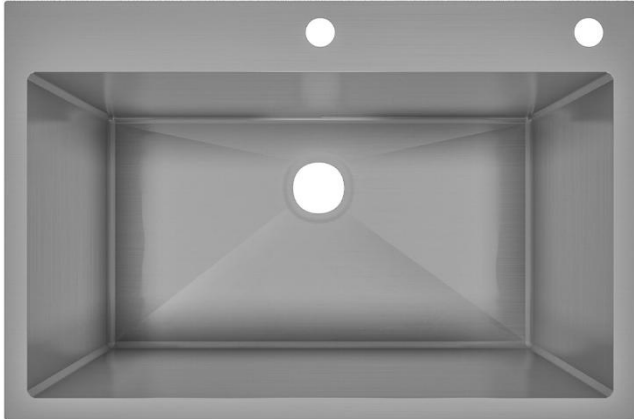


### Sinber Kitchen Sink Introduction

#### HT3322S-S-9



Minimum Base Cabinet: 36 inches  
Sink Net Weight: 25.57 lbs

HT3322S-S-9 33" L x 22" W Drop In Kitchen Sink			
<b>Installation Type</b>	Drop-in	<b>Sink Shape</b>	Rectangular
<b>Primary Material</b>	304 Stainless Steel	<b>Stainless Steel Gauge</b>	18
<b>Resistance Type</b>	Scratch; Stain; Rust; Heat; Fade	<b>Sound Dampening</b>	Yes
<b>Finish</b>	Satin	<b>Craftsmanship Type</b>	Handmade
<b>Hole Diameter</b>	2"	<b>Overall Dimensions</b>	33" L x 22" W
<b>Basin</b>	17.2" W x 30.8" L x 8" D	<b>Drain Placement</b>	Center
<b>Number of Faucet Holes</b>	1	<b>Supplier Intended and Approved Use</b>	Residential Use; Non Residential Use
<b>cUPC Certificates</b>	Yes	<b>Warranty</b>	Lifetime Limited
<b>Installation Required</b>	Yes	<b>Cut Out Template Included</b>	Yes
<b>Package Includes: Countertop sink, mounting hardware and cut-out template.</b>			