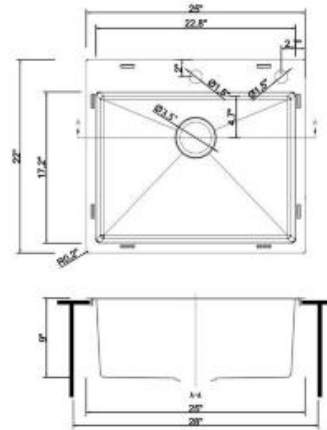
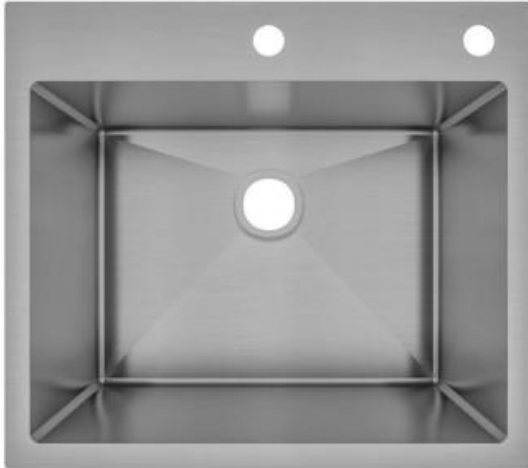


Sinber Kitchen Sink Introduction

HT2522S-9-S



Minimum Base Cabinet: 28 inches
Sink Net Weight: 17.98 lbs

HT2522S-9-S 25" L x 22" W Drop-In Kitchen Sink with Accessories

Installation Type	Drop-in	Sink Shape	Rectangular
Primary Material	304 Stainless Steel	Stainless Steel Gauge	18
Resistance Type	Scratch; Stain; Rust; Heat; Fade	Sound Dampening	Yes
Finish	Satin	Craftsmanship Type	Handmade
Drain Diameter	4.5"	Overall Dimensions	25" x 22" x 9"
Basin	22.8" x 17.2" x 9"	Drain Placement	Center
Number of Faucet Holes	1	Supplier Intended and Approved Use	Residential Use; Non Residential Use
cUPC Certificates	Yes	Warranty	Lifetime Limited
Installation Required	Yes	Cut Out Template Included	Yes

Package Includes: Countertop sink, mounting hardware and cut-out template.