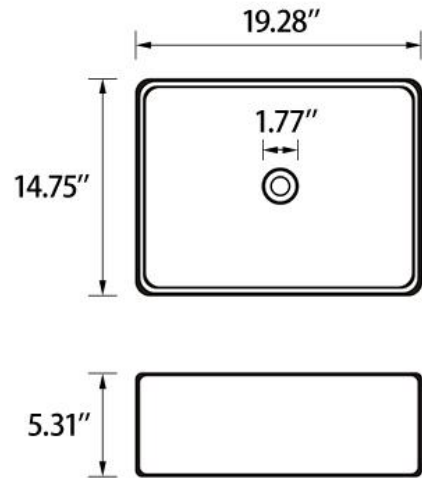


Sinber Ceramic Bathroom Sink

BVS1915A-OL



Net Weight: 17.64 lbs

BVS1915A-OL White Ceramic Rectangular Vessel Bathroom Sink			
Installation Type	Vessel	Sink Shape	Rectangular
Primary Material	Ceramic	Finish	White
Natural Variation Type	No Natural Variation	Basin	19.28" L x 14.75" W x 5" D
Overall	19.28" L x 14.75" W x 5.31" H	Overall Product Weight	17.64 lb.
Number of Faucet Holes	0	Drain Placement	Center
Shut-Off Valve Included	No	P-Trap Included	No
cUPC Certificates	Yes	Supplier Intended and Approved Use	Residential Use; Non Residential Use
Installation Required	Yes	Warranty	Lifetime Limited
Package Includes: Countertop sink, mounting hardware and cut-out template.			