



**ScaffoldMart**

.com

# User Manual & Safety Guide



**Read This Manual**

**Thoroughly read** this manual before assembling or using scaffolding unit. Failure to do so can result in **injury or death.**

Seriously... **read it.**



**ONE YEAR  
WARRANTY**

**ANSI**  
Meets Code A10.8

**OSHA**  
Conforms to  
29 CFR Part 1926

**CSA**  
Conforms to  
CSA Standard

**NO TOOLS  
REQUIRED**

**900  
LB  
PER  
PLATFORM**

Read Instructions thoroughly before assemblage. Non-compliance with guidelines may result in serious injury or death.

## PRIOR TO USE

- Only use scaffold unit as intended while complying with local, state, and national guidelines and legislation.
- A competent person should manually inspect scaffolding prior to each use, ensuring it is in good working condition and that all parts are present and properly assembled.
- Only use on level, hard, even surfaces. Avoid using scaffold on surfaces that are soft, muddy, debris filled, holey or otherwise obstructed.
- Refrain from using scaffolding if you are unwell, taking medication, consuming alcohol, mind-altering drugs or experiencing any other condition that may impair your ability to work.
- Three platforms should be installed on frame structure prior to use, all set level. Scaffold collapse is possible if both platforms are not set level and could result in injury or death.
- Casters must always be secured with span pins and caster brakes must be locked before climbing or standing on scaffolding.
- Do not use any scaffolding component that is damaged or if parts are missing.

## DURING USE

- Keep body centered inside structure of scaffold to avoid tipping.
- Maintain a constant firm grip while climbing scaffold. Always maintain three points of contact.
- Keep scaffold free of clutter and unnecessary equipment to avoid tripping while in use.
- If any part of scaffolding unit becomes damaged during use, it should be removed immediately from the work area and replaced.
- Acids are corrosive and exposure diminishes the integrity of scaffold unit. Do not expose to corrosive materials.
- Remove or fasten all tools, material, or equipment before moving scaffolding. Never move scaffold while a person is on unit. Be careful when moving unit to avoid tipping.

- This scaffold should be stored inside, out of the elements and away from excessive heat or corrosive materials. Rust and other forms of corrosion or deterioration compromise the structural integrity of the scaffold and should be avoided. Do not use scaffold if structure is compromised in any way.
- Unit intended to hold a maximum of one person.
- A safe work platform to stand upon should be at least 18 inches wide.
- Remove all tools and materials before moving scaffolding.
- Before using tool shelf, make sure hinges are fully engaged.

## DO NOTS

- Never use powered devices to propel this scaffold unit.
- Never stack on loose materials, boxes, or any other non-approved foundation.
- Never move scaffold with personnel on unit.
- Never load unit without caster brakes locked.
- Never use scaffold in windy conditions or during inclement weather.
- Never use on uneven or soft surfaces.
- Never stand or sit on tool shelf. Max shelf capacity 35 lb.
- Never use if any part of the scaffold unit is missing.
- Never modify the scaffolding in any way, doing so voids its warranty.
- Never climb the outside of the unit.



### Do Not Over Encumber

This unit was designed for a maximum capacity load of 900 lbs (227 kg)  
Per decking unit: 450 lbs (113 kg)  
Tool Shelf: 35 lbs (16 kg)

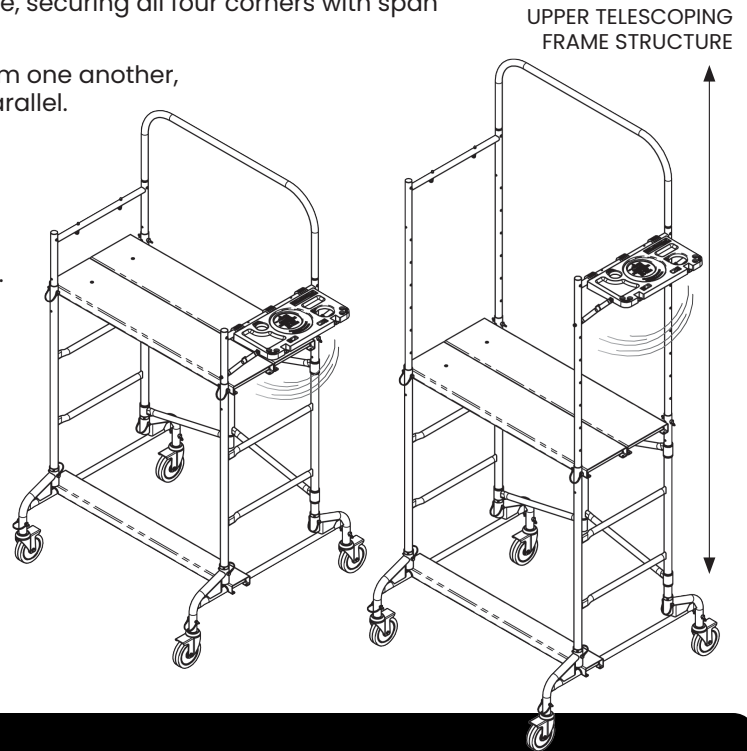


### Metal Conducts Electricity

Never use scaffolding unit in proximity to live electrical circuits or power lines.

# Assembly Instructions

- 1 Unpack box contents on level, hard, unobstructed surface.
- 2 Insert casters into base adaptors, making certain to secure with span pins. Lock casters before proceeding.
- 3 Attach base adaptors to bottom of lower frame structure, securing all four corners with span pins.
- 4 Stand the scaffold unit up and spread its ends away from one another, keeping them in parallel. Unit will tip if ends are not in parallel.
- 5 With unit extended, place platforms at desired heights. Make certain platforms are properly seated and level, with their semi-circular cut-outs snug against the horizontal supports.
- 6 Insert upper frame structures into lower frame structure. Make certain tool shelf turns outward, and that handrail attaches on same side as diagonal supports. Set upper frame structures at the same height and secure all four corners with span pins.
- 7 Install hand rail by first fastening it's two ends to the center portion. Make certain spring rivets are secure, then install in the vertical tubes of the upper frame structures. Again, make certain spring rivets secure all connections.
- 8 Install platform hooks. The top horizontal beam is drilled with two holes, insert hooks through these holes and secure with included nuts.



## Replacement Parts

IMAGE	PRODUCT NAME	PART NUMBER
	Anti-Slip Rings	UTLSLIPRING
	J Hook	UTLHOOK
	Tube Caps	UTLCAP
	Span Pin	381SPANPL
	Caster Wheel and Span Pin	MF378-5RP
	Spring Rivet	381SR
	Tool Shelf & Hinge Kit	UTLSHELF

**To order these replacement parts, contact our customer service department.**

**Customer Service:**

.....  
**1 (866) 900-0983**  
**customerservice@scaffoldmart.com**  
**scaffoldmart.com**  
 .....



**ONE YEAR WARRANTY**

ScaffoldMart guarantees this product against any material defect for a period of one year beginning at the time of purchase. This warranty does not cover damages or injury due to inappropriate or incorrect use, care or maintenance of your unit.

## List of Box Contents

- A. Lower Frame Structure ( 1 )
- B. Wide Platforms ( 2 )
- C. Base Adaptors ( 2 )
- D. Narrow Platform ( 1 )
- E. Upper Frame Structures ( 2 )
- F. Handrail Assembly ( 1 )
- G. Caster Wheels ( 4 )
- H. Spring Rivets ( 2 )
- I. Span Pins ( 12 )

