



52" 9-Drawer Rolling Cabinet



Your tools. Your shop.™

Cabinet: 955209C6



More massive, more everything

The **SHOPMAX® 9-Drawer Rolling Tool Cabinet** is your go-to storage solution for larger workspaces and garages. The cabinet features all-welded 20-ga. steel construction and is designed for heavy usage. The ball-bearing drawer slides provide super-smooth opening and closing, while the soft-close retention system with locking mechanism ensures your drawers close softly, and stay closed when moving. Use the sturdy all-steel side handle to place the cabinet exactly where you need it. Holds up to 1,200 pounds of your tools and equipment, but rolls easily on four heavy-duty 5" x 2" casters. Paint is a rust-resistant composition finished with a rugged, non-scratching rough finish.

- **18,399 in³** total storage space
- **Overall dimensions (W x D x H): 51.57" x 18.11" x 42.72"**
- **Dual deep 9.5" bottom drawers** with dual ball-bearing drawer slides for large items
- **Pegboard side perforations** for hanging even more tools
- **Four 5" x 2" casters**, two swivel/locking and two static
- **100-lb Capacity ball-bearing drawer slides**

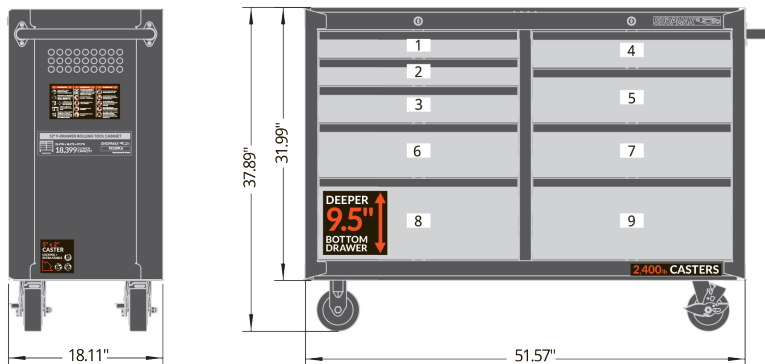
PRODUCT SPECIFICATIONS*

Product Width (in.)	51.57
Product Depth (in.)	18.11
Product Height (in.)	37.89
Weight Rating	Industrial Grade: >1,000 lb
Steel Frame Thickness (ga.)	20
Drawer Slide Weight Rating (lb.)	100
Weight Capacity (lb.)	1,200
Holding Capacity (cu in.)	18,399
Number of Drawers	9
Product Weight (lb.)	178.4
Warranty	3 year Limited
Drawer Dimensions (in.) W x D x H	1-2 / 22.43 x 15.79 x 3.05 3-4 / 22.43 x 15.79 x 4.15 5-7 / 22.43 x 15.79 x 6.22 8-9 / 22.43 x 15.79 x 9.45

*Preliminary specs, subject to change.

Compatible Top Chest(s):

- 995206C2
- 995208C2



Bottom reinforced steel and heavy-duty casters