

Grizzly **Industrial, Inc.**®

MODEL T31739 **12" VARIABLE-SPEED** **BENCHTOP DRILL PRESS** **OWNER'S MANUAL** *(For models manufactured since 11/19)*



COPYRIGHT © JANUARY, 2020 BY GRIZZLY INDUSTRIAL, INC.
**WARNING: NO PORTION OF THIS MANUAL MAY BE REPRODUCED IN ANY SHAPE
OR FORM WITHOUT THE WRITTEN APPROVAL OF GRIZZLY INDUSTRIAL, INC.**
#CS20663 PRINTED IN CHINA

V1.01.20



WARNING!

This manual provides critical safety instructions on the proper setup, operation, maintenance, and service of this machine/tool. Save this document, refer to it often, and use it to instruct other operators.

Failure to read, understand and follow the instructions in this manual may result in fire or serious personal injury—including amputation, electrocution, or death.

The owner of this machine/tool is solely responsible for its safe use. This responsibility includes but is not limited to proper installation in a safe environment, personnel training and usage authorization, proper inspection and maintenance, manual availability and comprehension, application of safety devices, cutting/sanding/grinding tool integrity, and the usage of personal protective equipment.

The manufacturer will not be held liable for injury or property damage from negligence, improper training, machine modifications or misuse.



WARNING!

Some dust created by power sanding, sawing, grinding, drilling, and other construction activities contains chemicals known to the State of California to cause cancer, birth defects or other reproductive harm. Some examples of these chemicals are:

- **Lead from lead-based paints.**
- **Crystalline silica from bricks, cement and other masonry products.**
- **Arsenic and chromium from chemically-treated lumber.**

Your risk from these exposures varies, depending on how often you do this type of work. To reduce your exposure to these chemicals: Work in a well ventilated area, and work with approved safety equipment, such as those dust masks that are specially designed to filter out microscopic particles.

Table of Contents

INTRODUCTION	2	SECTION 5: ACCESSORIES	27
Contact Info.....	2	SECTION 6: MAINTENANCE	28
Manual Accuracy	2	Schedule	28
Identification.....	3	Cleaning & Protecting	28
Controls & Components.....	4	Lubrication	28
Machine Data Sheet	5	SECTION 7: SERVICE	30
SECTION 1: SAFETY	7	Troubleshooting	30
Safety Instructions for Machinery	7	V-Belt Tension & Replacement.....	32
Additional Safety for Drill Presses	9	Calibrating Depth Stop.....	32
SECTION 2: POWER SUPPLY	10	Replacing Lasers & LED Worklight	33
SECTION 3: SETUP	12	Adjusting Spring Tension.....	35
Needed for Setup.....	12	SECTION 8: WIRING	36
Unpacking	12	Wiring Safety Instructions	36
Inventory	13	Wiring Diagram.....	37
Hardware Recognition Chart	14	SECTION 9: PARTS	38
Cleanup.....	15	Main	38
Site Considerations.....	15	Labels & Cosmetics	40
Bench Mounting	16	WARRANTY & RETURNS	41
Assembly	16		
Joining Drill Chuck & Arbor.....	18		
Test Run	19		
SECTION 4: OPERATIONS	20		
Operation Overview	20		
Choosing Spindle Speeds	21		
Changing Spindle Speed.....	22		
Installing/Removing Chuck Arbor	22		
Installing/Removing Drill Bits	24		
Using LED Worklight.....	24		
Adjusting Depth Stop	24		
Positioning Table	25		
Adjusting Laser Sight.....	26		

INTRODUCTION

Contact Info

We stand behind our machines! If you have questions or need help, contact us with the information below. Before contacting, make sure you get the **serial number** and **manufacture date** from the machine ID label. This will help us help you faster.

Grizzly Technical Support
1815 W. Battlefield
Springfield, MO 65807
Phone: (570) 546-9663
Email: techsupport@grizzly.com

We want your feedback on this manual. What did you like about it? Where could it be improved? Please take a few minutes to give us feedback.

Grizzly Documentation Manager
P.O. Box 2069
Bellingham, WA 98227-2069
Email: manuals@grizzly.com

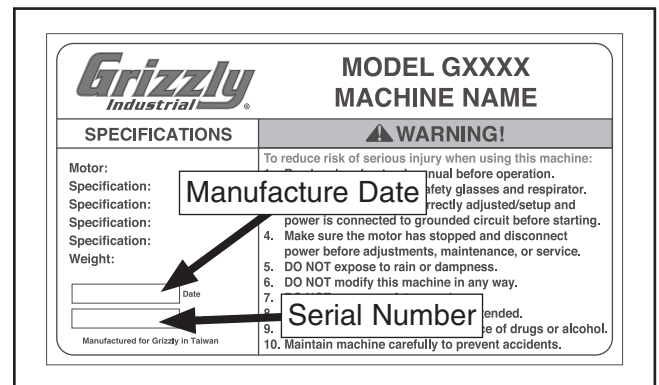
Manual Accuracy

We are proud to provide a high-quality owner's manual with your new machine!

We made every effort to be exact with the instructions, specifications, drawings, and photographs in this manual. Sometimes we make mistakes, but our policy of continuous improvement also means that **sometimes the machine you receive is slightly different than shown in the manual.**

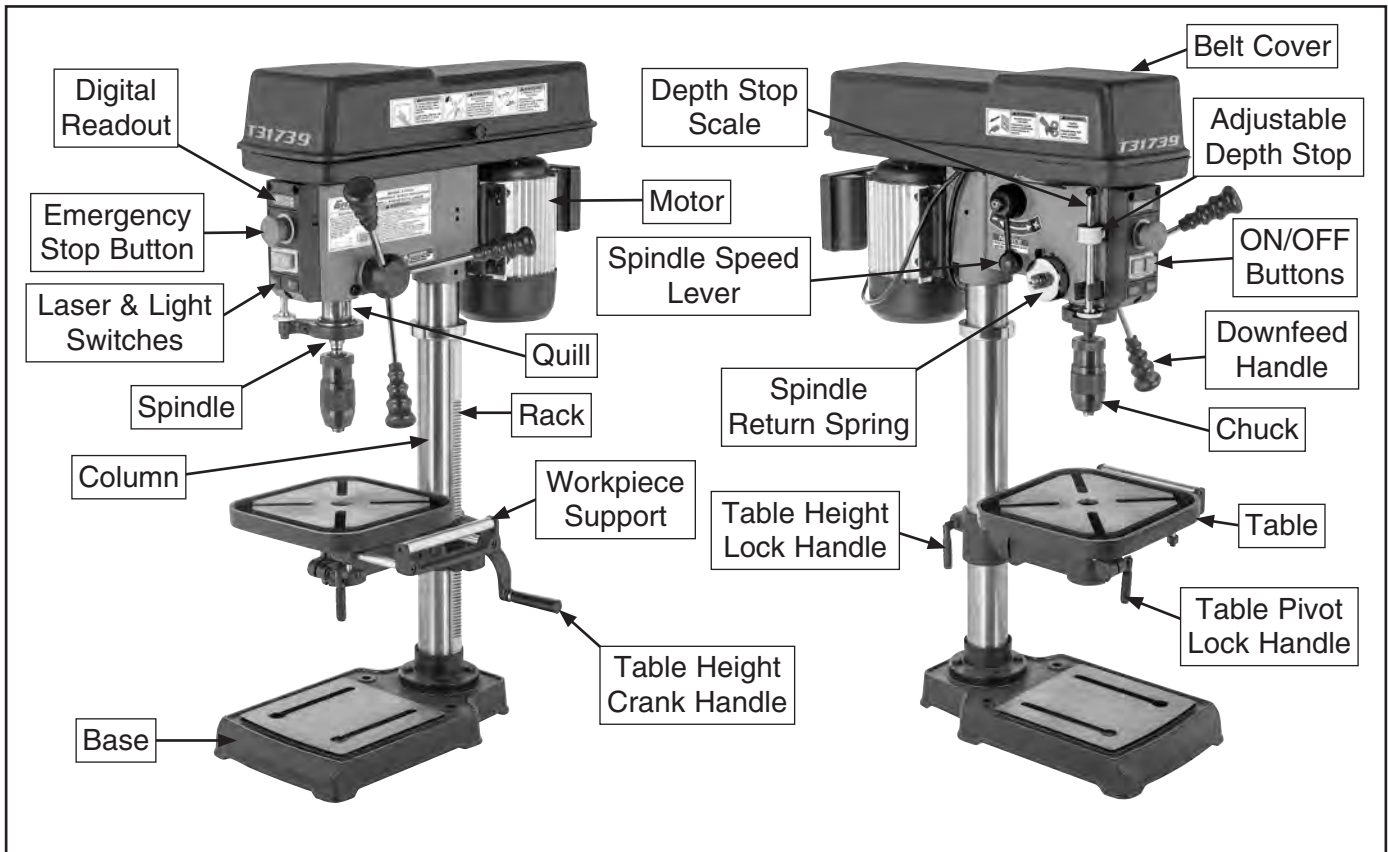
If you find this to be the case, and the difference between the manual and machine leaves you confused or unsure about something, check our website for an updated version. We post current manuals and manual updates for free on our website at www.grizzly.com.

Alternatively, you can call our Technical Support for help. Before calling, make sure you write down the **Manufacture Date** and **Serial Number** from the machine ID label (see below). This information is required for us to provide proper tech support, and it helps us determine if updated documentation is available for your machine.



Identification

Become familiar with the names and locations of the controls and features shown below to better understand the instructions in this manual.



⚠️ WARNING

For Your Own Safety Read Instruction Manual Before Operating Drill Press

- a) Wear eye protection.
- b) Do not wear gloves, necktie, or loose clothing.
- c) Clamp workpiece or brace against column to prevent rotation.
- d) Use recommended speed for drill accessory and workpiece material.



Controls & Components



Refer to the following figures and descriptions to become familiar with the basic controls and components of this machine. Understanding these items and how they work will help you understand the rest of the manual and minimize your risk of injury when operating this machine.

Headstock

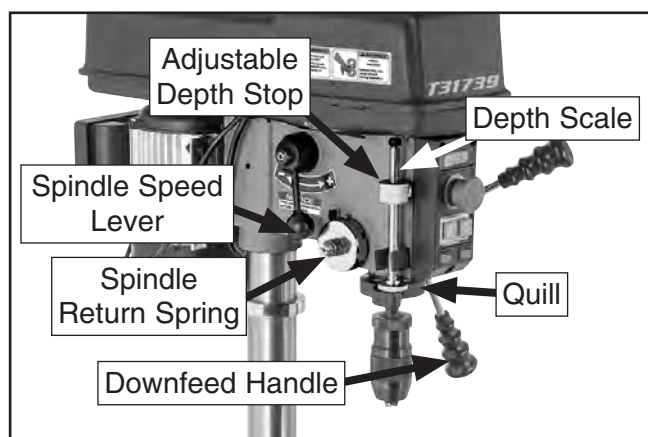


Figure 1. Headstock controls.

Adjustable Depth Stop: Stops spindle travel at predetermined depth.

Depth Scale: Indicates drilling depth and position of depth stop.

Downfeed Handles: Moves spindle down when pulled down. Spindle automatically returns to top position when released.

Spindle Speed Lever: Adjusts spindle speed rate from 400 to 2700 RPM.

Spindle Return Spring: Automatically returns quill into headstock.

Quill: Houses spindle and spindle bearings.

Table

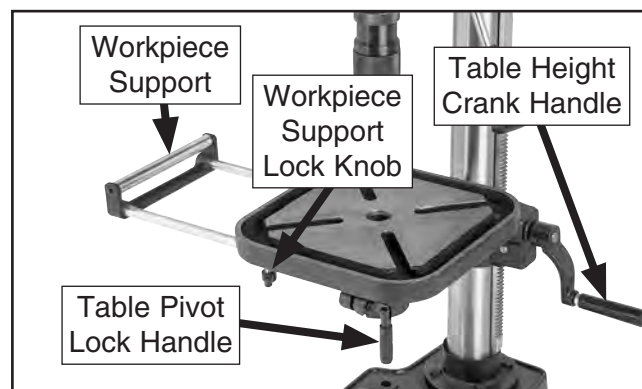


Figure 2. Table controls.

Workpiece Support: Provides extra support for long workpieces.

Table Height Crank Handle: Adjusts table height.

Table Pivot Lock Handle: Locks table to keep it from rotating.

Workpiece Support Lock Knob (1 of 2): Locks support arm in position.

Control Panel

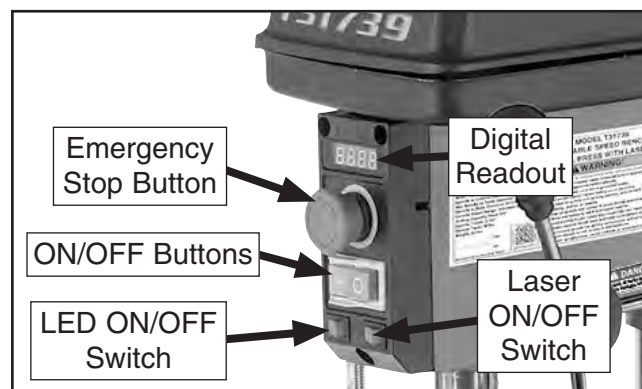


Figure 3. Control panel.

Emergency Stop Button: Immediately cuts power to motor and control panel when pressed. Twist button clockwise to reset.

ON/OFF Buttons: Turns drill press **ON** and **OFF**.

LED ON/OFF Switch: Turns work light **ON** or **OFF**.

Digital Readout: Displays spindle RPM.

Laser ON/OFF Switch: Turns laser sights **ON** or **OFF**.





MACHINE DATA SHEET

Customer Service #: (570) 546-9663 · To Order Call: (800) 523-4777 · Fax #: (800) 438-5901

MODEL T31739 12" VARIABLE-SPEED BENCHTOP DRILL PRESS WITH LASER

Product Dimensions:

Weight..... 88 lbs.
Width (side-to-side) x Depth (front-to-back) x Height..... 13 x 22 x 36 in.
Footprint (Length x Width)..... 16 x 9-1/2 in.

Shipping Dimensions:

Type..... Cardboard Box
Content..... Machine
Weight..... 93 lbs.
Length x Width x Height..... 30 x 20 x 12 in.

Electrical:

Power Requirement..... 120V, Single-Phase, 60 Hz
Full-Load Current Rating..... 5.1A
Minimum Circuit Size..... 15A
Connection Type..... Cord & Plug
Power Cord Included..... Yes
Power Cord Length..... 6 ft.
Power Cord Gauge..... 18 AWG
Plug Included..... Yes
Included Plug Type..... 5-15
Switch Type..... ON/OFF Push Button

Motors:

Main

Horsepower..... 1/3 HP
Phase..... Single-Phase
Amps..... 5.1A
Speed..... 1150 RPM
Type..... TEFC Capacitor-Run Induction
Power Transfer..... Belt
Bearings..... Shielded & Permanently Lubricated

Main Specifications:

Operation Information

Type..... Bench
Swing..... 12 in.
Spindle Taper..... MT#2
Spindle Travel..... 3-1/2 in.
Max. Distance From Spindle to Column..... 6 in.
Max. Distance From Spindle to Table..... 13-1/4 in.
Number of Spindle Speeds..... Variable
Range of Spindle Speeds..... 400 - 2700 RPM
Max. Head Swivel..... 360 deg.
Drilling Capacity (Mild Steel)..... 5/8 in.
Drill Chuck Type..... JT3 Keyless Chuck
Drill Chuck Size..... 1/32 - 5/8 in.



Spindle Information

Distance From Spindle to Base..... 20-1/4 in.
Quill Diameter..... 1.575 in.

Table Information

Max. Table Tilt (Left/Right)..... 45 deg.
Table Swing..... 360 deg.
Table Swivel Around Center..... 360 deg.
Table Swivel Around Column..... 360 deg.
Table Length..... 9-5/8 in.
Table Width..... 9-5/8 in.
Table Thickness..... 1 in.
Vertical Table Travel..... 10 in.
Number of T-Slots..... 4
T-Slot Size..... 1/2 in.
T-Slot Centers..... 3 in.
Floor-To-Table Height..... 8-7/8 - 18-7/8 in.

Construction

Table..... Precision-Ground Cast Iron
Column..... Steel
Spindle Housing..... Cast Iron
Head..... Cast Iron
Base..... Cast Iron
Paint Type/Finish..... Powder Coated

Other Related Information

Base Length..... 16-1/4 in.
Base Width..... 9-5/8 in.
Column Diameter..... 2-3/8 in.
Depth Stop Type..... Threaded Rod with Positive Stop
Has Work Light..... Yes
Light Socket Type..... 3.5V, LED Bulb
Maximum Bulb Wattage..... 1 W

Other Specifications:

Country of Origin China
Warranty 1 Year
Approximate Assembly & Setup Time 45 Minutes
Serial Number Location ID Label
ISO 9001 Factory Yes

Features:

Adjustable Laser Sight
Four 1/2" T-Slots
Variable-Speed Spindle Control from 400 - 2700 RPM
Precision-Ground Cast-Iron Table w/7-1/4" Extension
LED Worklight
Spindle Speed Digital Readout
Depth Stop 0-90mm w/Quick-Release
Rack & Pinion Table Elevation Control

Accessories Included:

Hex Wrenches 3, 4, 5mm
Drift Key



SECTION 1: SAFETY

For Your Own Safety, Read Instruction Manual Before Operating This Machine

The purpose of safety symbols is to attract your attention to possible hazardous conditions. This manual uses a series of symbols and signal words intended to convey the level of importance of the safety messages. The progression of symbols is described below. Remember that safety messages by themselves do not eliminate danger and are not a substitute for proper accident prevention measures. Always use common sense and good judgment.



Indicates an imminently hazardous situation which, if not avoided, **WILL** result in death or serious injury.



Indicates a potentially hazardous situation which, if not avoided, **COULD** result in death or serious injury.



Indicates a potentially hazardous situation which, if not avoided, **MAY** result in minor or moderate injury. It may also be used to alert against unsafe practices.

NOTICE

Alerts the user to useful information about proper operation of the machine to avoid machine damage.

Safety Instructions for Machinery

WARNING

OWNER'S MANUAL. Read and understand this owner's manual **BEFORE** using machine.

TRAINED OPERATORS ONLY. Untrained operators have a higher risk of being hurt or killed. Only allow trained/supervised people to use this machine. When machine is not being used, disconnect power, remove switch keys, or lock-out machine to prevent unauthorized use—especially around children. Make your workshop kid proof!

DANGEROUS ENVIRONMENTS. Do not use machinery in areas that are wet, cluttered, or have poor lighting. Operating machinery in these areas greatly increases the risk of accidents and injury.

MENTAL ALERTNESS REQUIRED. Full mental alertness is required for safe operation of machinery. Never operate under the influence of drugs or alcohol, when tired, or when distracted.

ELECTRICAL EQUIPMENT INJURY RISKS. You can be shocked, burned, or killed by touching live electrical components or improperly grounded machinery. To reduce this risk, only allow qualified service personnel to do electrical installation or repair work, and always disconnect power before accessing or exposing electrical equipment.

DISCONNECT POWER FIRST. Always disconnect machine from power supply **BEFORE** making adjustments, changing tooling, or servicing machine. This prevents an injury risk from unintended startup or contact with live electrical components.

EYE PROTECTION. Always wear ANSI-approved safety glasses or a face shield when operating or observing machinery to reduce the risk of eye injury or blindness from flying particles. Everyday eyeglasses are **NOT** approved safety glasses.



WARNING

WEARING PROPER APPAREL. Do not wear clothing, apparel or jewelry that can become entangled in moving parts. Always tie back or cover long hair. Wear non-slip footwear to reduce risk of slipping and losing control or accidentally contacting cutting tool or moving parts.

HAZARDOUS DUST. Dust created by machinery operations may cause cancer, birth defects, or long-term respiratory damage. Be aware of dust hazards associated with each workpiece material. Always wear a NIOSH-approved respirator to reduce your risk.

HEARING PROTECTION. Always wear hearing protection when operating or observing loud machinery. Extended exposure to this noise without hearing protection can cause permanent hearing loss.

REMOVE ADJUSTING TOOLS. Tools left on machinery can become dangerous projectiles upon startup. Never leave chuck keys, wrenches, or any other tools on machine. Always verify removal before starting!

USE CORRECT TOOL FOR THE JOB. Only use this tool for its intended purpose—do not force it or an attachment to do a job for which it was not designed. Never make unapproved modifications—modifying tool or using it differently than intended may result in malfunction or mechanical failure that can lead to personal injury or death!

AWKWARD POSITIONS. Keep proper footing and balance at all times when operating machine. Do not overreach! Avoid awkward hand positions that make workpiece control difficult or increase the risk of accidental injury.

CHILDREN & BYSTANDERS. Keep children and bystanders at a safe distance from the work area. Stop using machine if they become a distraction.

GUARDS & COVERS. Guards and covers reduce accidental contact with moving parts or flying debris. Make sure they are properly installed, undamaged, and working correctly BEFORE operating machine.

FORCING MACHINERY. Do not force machine. It will do the job safer and better at the rate for which it was designed.

NEVER STAND ON MACHINE. Serious injury may occur if machine is tipped or if the cutting tool is unintentionally contacted.

STABLE MACHINE. Unexpected movement during operation greatly increases risk of injury or loss of control. Before starting, verify machine is stable and mobile base (if used) is locked.

USE RECOMMENDED ACCESSORIES. Consult this owner's manual or the manufacturer for recommended accessories. Using improper accessories will increase the risk of serious injury.

UNATTENDED OPERATION. To reduce the risk of accidental injury, turn machine **OFF** and ensure all moving parts completely stop before walking away. Never leave machine running while unattended.

MAINTAIN WITH CARE. Follow all maintenance instructions and lubrication schedules to keep machine in good working condition. A machine that is improperly maintained could malfunction, leading to serious personal injury or death.

DAMAGED PARTS. Regularly inspect machine for damaged, loose, or mis-adjusted parts—or any condition that could affect safe operation. Immediately repair/replace BEFORE operating machine. For your own safety, DO NOT operate machine with damaged parts!

MAINTAIN POWER CORDS. When disconnecting cord-connected machines from power, grab and pull the plug—NOT the cord. Pulling the cord may damage the wires inside. Do not handle cord/plug with wet hands. Avoid cord damage by keeping it away from heated surfaces, high traffic areas, harsh chemicals, and wet/damp locations.

EXPERIENCING DIFFICULTIES. If at any time you experience difficulties performing the intended operation, stop using the machine! Contact our Technical Support at (570) 546-9663.



Additional Safety for Drill Presses

WARNING

Serious injury or death can occur from getting clothing, jewelry, or long hair entangled in rotating spindle or bit/cutting tool. Contact with rotating bit/cutting tool can result in severe cuts or amputation of fingers. Flying metal chips can cause blindness or eye injuries. Broken bits/cutting tools, unsecured workpieces, chuck keys, or other adjustment tools thrown from rotating spindle can strike nearby operator or bystanders with deadly force. To reduce the risk of these hazards, operator and bystanders **MUST** completely heed hazards and warnings below.

EYE/FACE/HAND PROTECTION. Flying chips created by drilling can cause eye injuries or blindness. Always wear a face shield in addition to safety glasses. Always keep hands and fingers away from drill bit/cutting tool. Avoid awkward hand positions, where a sudden slip could cause hand to move into bit/cutting tool.

AVOIDING ENTANGLEMENT. DO NOT wear loose clothing, gloves, or jewelry. Tie back long hair. Keep all guards in place and secure. Always allow spindle to stop on its own. DO NOT stop spindle using your hand or any other object.

REMOVING ADJUSTMENT TOOLS. Chuck key, wrenches, and other tools left on machine can become deadly projectiles when spindle is started. Remove all loose items or tools used on spindle immediately after use.

CORRECT SPINDLE SPEED. Using wrong spindle speed can cause bits/cutting tools to break and strike operator or bystanders. Follow recommended speeds and feeds for each size/type of bit/cutting tool and workpiece material.

SECURING BIT/CUTTING TOOL. Firmly secure bit/cutting tool in chuck so it cannot fly out of spindle during operation or startup.

DRILLING PREPARATION. To avoid loss of drilling control or bit breakage, only drill into a flat surface that is approximately perpendicular to bit. Clear table of all objects before starting spindle. Never start spindle with bit pressed against workpiece.

SECURING TABLE AND HEADSTOCK. To avoid loss of control leading to bit breakage or accidental contact with tool/bit, tighten all table and headstock locks before operating drill press.

WORKPIECE CONTROL. An unsecured workpiece may unexpectedly shift, spin out of control, or be thrown if bit/cutting tool “grabs” during operation. Clamp workpiece to table or in table-mounted vise, or brace against column to prevent rotation. NEVER hold workpiece by hand during operation. NEVER start machine with bit/cutting tool touching workpiece; allow spindle to gain full speed before drilling into workpiece.

INSPECTING BIT/CUTTING TOOL. Damaged bits/cutting tools may break apart during operation and hit operator or bystanders. Dull bits/cutting tools increase cutting resistance and are more likely to grab and spin/throw workpiece. Always inspect bits/cutting tools for sharpness, chips, or cracks before each use. Replace dull, chipped, or cracked bits/cutting tools immediately.

WARNING

Like all machinery there is potential danger when operating this machine. Accidents are frequently caused by lack of familiarity or failure to pay attention. Use this machine with respect and caution to decrease the risk of operator injury. If normal safety precautions are overlooked or ignored, serious personal injury may occur.

CAUTION

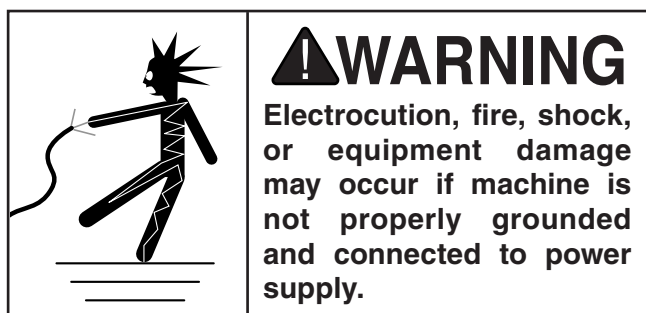
No list of safety guidelines can be complete. Every shop environment is different. Always consider safety first, as it applies to your individual working conditions. Use this and other machinery with caution and respect. Failure to do so could result in serious personal injury, damage to equipment, or poor work results.



SECTION 2: POWER SUPPLY

Availability

Before installing the machine, consider the availability and proximity of the required power supply circuit. If an existing circuit does not meet the requirements for this machine, a new circuit must be installed. To minimize the risk of electrocution, fire, or equipment damage, installation work and electrical wiring must be done by an electrician or qualified service personnel in accordance with all applicable codes and standards.



Full-Load Current Rating

The full-load current rating is the amperage a machine draws at 100% of the rated output power. On machines with multiple motors, this is the amperage drawn by the largest motor or sum of all motors and electrical devices that might operate at one time during normal operations.

Full-Load Current Rating at 120V ... 5.1 Amps

The full-load current is not the maximum amount of amps that the machine will draw. If the machine is overloaded, it will draw additional amps beyond the full-load rating.

If the machine is overloaded for a sufficient length of time, damage, overheating, or fire may result—especially if connected to an undersized circuit. To reduce the risk of these hazards, avoid overloading the machine during operation and make sure it is connected to a power supply circuit that meets the specified circuit requirements.

! WARNING

Serious injury could occur if you connect machine to power before completing setup process. DO NOT connect to power until instructed later in this manual.

120V Circuit Requirements

This machine is prewired to operate on a power supply circuit that has a verified ground and meets the following requirements:

Nominal Voltage 110V, 115V, 120V
Cycle 60 Hz
Phase Single-Phase
Power Supply Circuit 15 Amps

A power supply circuit includes all electrical equipment between the breaker box or fuse panel in the building and the machine. The power supply circuit used for this machine must be sized to safely handle the full-load current drawn from the machine for an extended period of time. (If this machine is connected to a circuit protected by fuses, use a time delay fuse marked D.)

! CAUTION

For your own safety and protection of property, consult an electrician if you are unsure about wiring practices or electrical codes in your area.

Note: *Circuit requirements in this manual apply to a dedicated circuit—where only one machine will be running on the circuit at a time. If machine will be connected to a shared circuit where multiple machines may be running at the same time, consult an electrician or qualified service personnel to ensure circuit is properly sized for safe operation.*



Grounding & Plug Requirements

This machine **MUST** be grounded. In the event of certain malfunctions or breakdowns, grounding reduces the risk of electric shock by providing a path of least resistance for electric current.

This machine is equipped with a power cord that has an equipment-grounding wire and a grounding plug. Only insert plug into a matching receptacle (outlet) that is properly installed and grounded in accordance with all local codes and ordinances. **DO NOT** modify the provided plug!

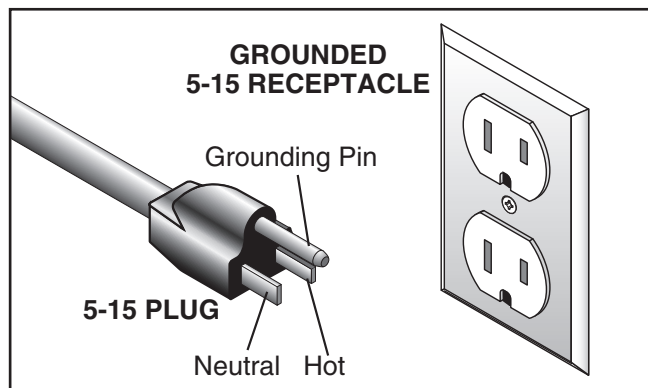


Figure 4. Typical 5-15 plug and receptacle.

⚠ CAUTION

SHOCK HAZARD!

Two-prong outlets do not meet the grounding requirements for this machine. Do not modify or use an adapter on the plug provided—if it will not fit the outlet, have a qualified electrician install the proper outlet with a verified ground.

Improper connection of the equipment-grounding wire can result in a risk of electric shock. The wire with green insulation (with or without yellow stripes) is the equipment-grounding wire. If repair or replacement of the power cord or plug is necessary, do not connect the equipment-grounding wire to a live (current carrying) terminal.

Check with a qualified electrician or service personnel if you do not understand these grounding requirements, or if you are in doubt about whether the tool is properly grounded. If you ever notice that a cord or plug is damaged or worn, disconnect it from power, and immediately replace it with a new one.

Extension Cords

We do not recommend using an extension cord with this machine. If you must use an extension cord, only use it if absolutely necessary and only on a temporary basis.

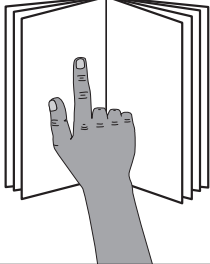
Extension cords cause voltage drop, which can damage electrical components and shorten motor life. Voltage drop increases as the extension cord size gets longer and the gauge size gets smaller (higher gauge numbers indicate smaller sizes).

Any extension cord used with this machine must be in good condition and contain a ground wire and matching plug/receptacle. Additionally, it must meet the following size requirements:

Minimum Gauge Size 16 AWG
Maximum Length (Shorter is Better).....50 ft.




SECTION 3: SETUP



!WARNING
 This machine presents serious injury hazards to untrained users. Read through this entire manual to become familiar with the controls and operations before starting the machine!



!WARNING
 Wear safety glasses during the entire setup process!



!WARNING
 This machine and its components are very heavy. Get lifting help or use power lifting equipment such as a forklift to move heavy items.

Needed for Setup

The following items are needed, but not included, for the setup/assembly of this machine.

Description	Qty
• Safety Glasses (for each person).....	1
• Solvent/Cleaner	1
• Shop Rags.....	1
• Lifting Equipment (Rated for at least 100 lbs.)	1
• Assistant for Lifting	1
• Plumb Bob.....	1
• Ruler.....	1

Unpacking

This machine was carefully packaged for safe transport. When unpacking, separate all enclosed items from packaging materials and inspect them for shipping damage. ***If items are damaged, please call us immediately at (570) 546-9663.***

IMPORTANT: Save all packaging materials until you are completely satisfied with the machine and have resolved any issues between Grizzly or the shipping agent. ***You MUST have the original packaging to file a freight claim. It is also extremely helpful if you need to return your machine later.***



Inventory

The following is a list of items shipped with your machine. Before beginning setup, lay these items out and inventory them.

If any non-proprietary parts are missing (e.g. a nut or a washer), we will gladly replace them; or for the sake of expediency, replacements can be obtained at your local hardware store.

NOTICE

If you cannot find an item on this list, carefully check around/inside the machine and packaging materials. Often, these items get lost in packaging materials while unpacking or they are pre-installed at the factory.

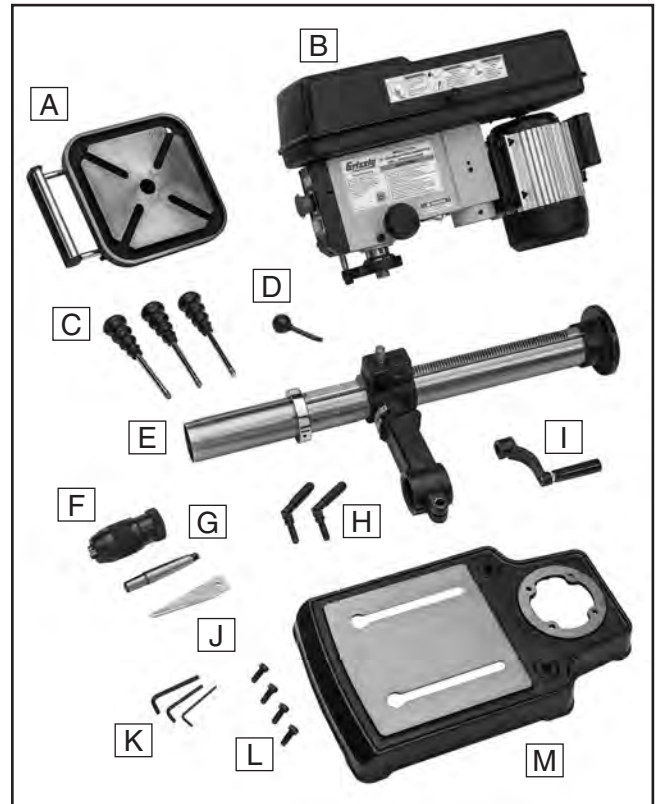


Figure 5. T31739 loose parts inventory.







Box 1 (Figure 5)	Qty
A. Table Assembly	1
B. Headstock Assembly.....	1
C. Downfeed Handles	3
D. Speed Lever	1
E. Column Assembly	1
F. Chuck 1/32"-5/8" JT3 Keyless	1
G. Chuck Arbor JT3 x MT2	1
H. Table Lock Handles.....	2
I. Table Height Crank Handle	1
J. Drift Key.....	1
K. Hex Wrenches 3, 4, 5mm.....	1 Ea.
L. Hex Bolts M8-1.25 x 20	4
M. Base	1

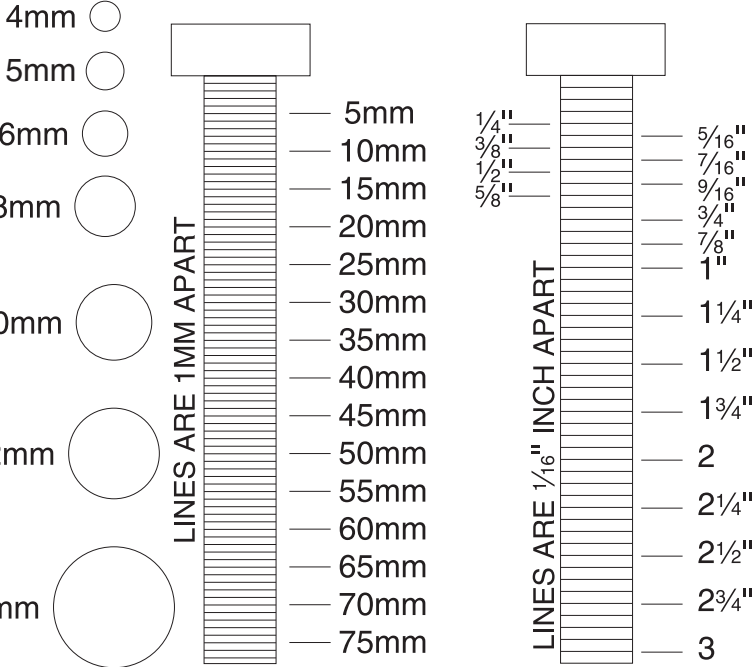
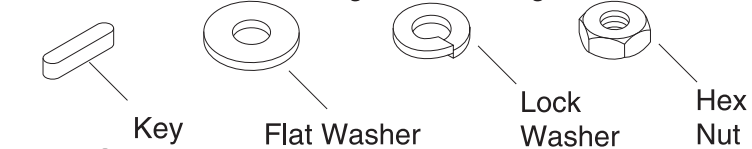
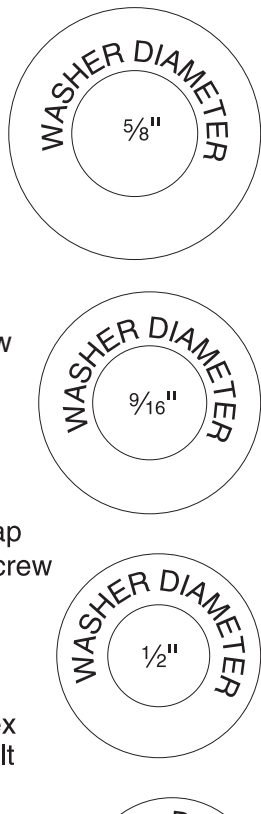
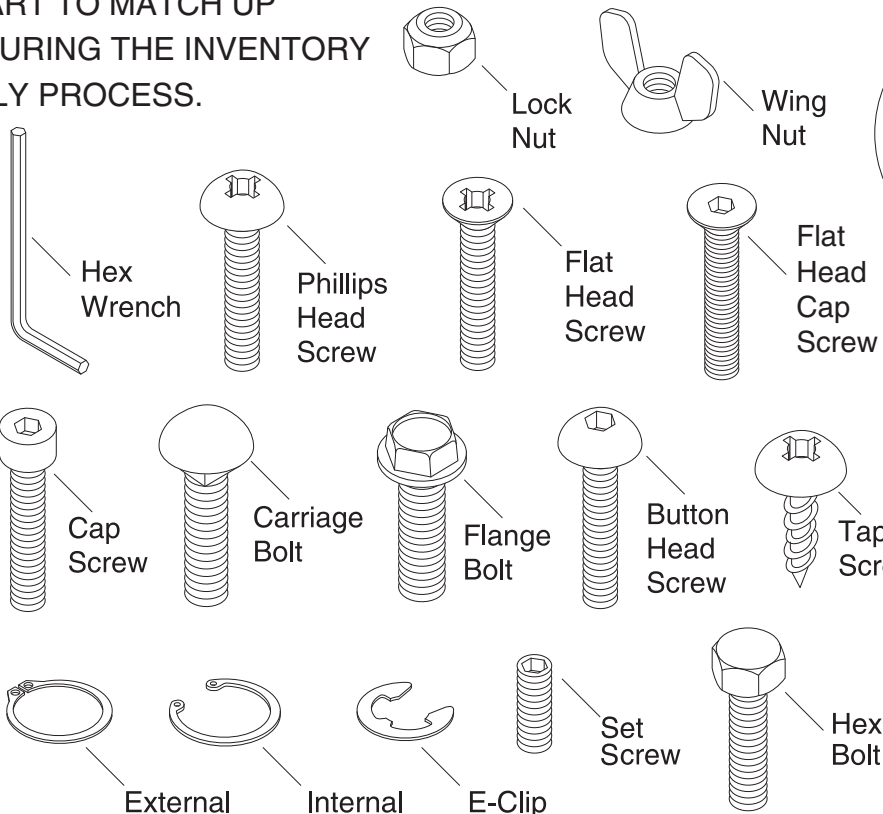


Hardware Recognition Chart

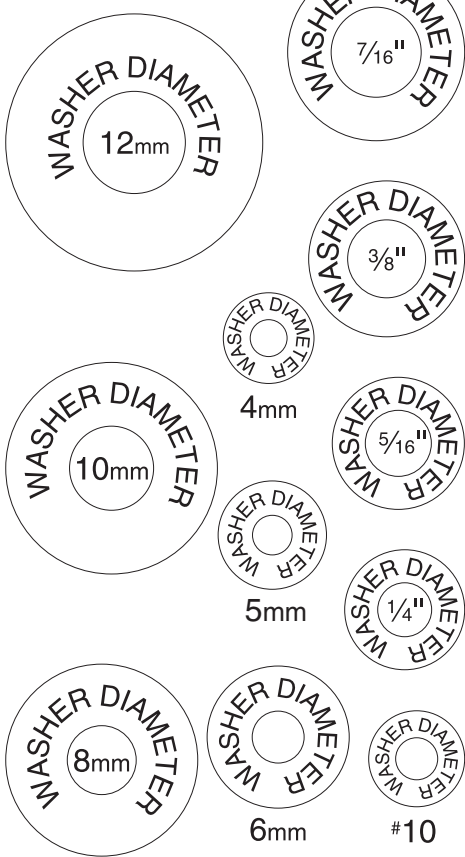
USE THIS CHART TO MATCH UP
HARDWARE DURING THE INVENTORY
AND ASSEMBLY PROCESS.

MEASURE BOLT DIAMETER BY PLACING INSIDE CIRCLE

-  #10
-  1/4"
-  5/16"
-  3/8"
-  7/16"
-  1/2"



WASHERS ARE MEASURED BY THE INSIDE DIAMETER



Cleanup

The unpainted surfaces of your machine are coated with a heavy-duty rust preventative that prevents corrosion during shipment and storage. This rust preventative works extremely well, but it will take a little time to clean.

Be patient and do a thorough job cleaning your machine. The time you spend doing this now will give you a better appreciation for the proper care of your machine's unpainted surfaces.

There are many ways to remove this rust preventative, but the following steps work well in a wide variety of situations. Always follow the manufacturer's instructions with any cleaning product you use and make sure you work in a well-ventilated area to minimize exposure to toxic fumes.

Before cleaning, gather the following:

- Disposable rags
- Cleaner/degreaser (WD-40 works well)
- Safety glasses & disposable gloves
- Plastic paint scraper (optional)

Basic steps for removing rust preventative:

1. Put on safety glasses.
2. Coat the rust preventative with a liberal amount of cleaner/degreaser, then let it soak for 5–10 minutes.
3. Wipe off the surfaces. If your cleaner/degreaser is effective, the rust preventative will wipe off easily. If you have a plastic paint scraper, scrape off as much as you can first, then wipe off the rest with the rag.
4. Repeat **Steps 2–3** as necessary until clean, then coat all unpainted surfaces with a quality metal protectant to prevent rust.

NOTICE

Avoid harsh solvents like acetone or brake parts cleaner that may damage painted surfaces. Always test on a small, inconspicuous location first.

Site Considerations

Workbench Load

Refer to the **Machine Data Sheet** for the weight and footprint specifications of your machine. Some workbenches may require additional reinforcement to support the weight of the machine and workpiece materials.

Placement Location

Consider anticipated workpiece sizes and additional space needed for auxiliary stands, work tables, or other machinery when establishing a location for this machine in the shop. Below is the minimum amount of space needed for the machine.

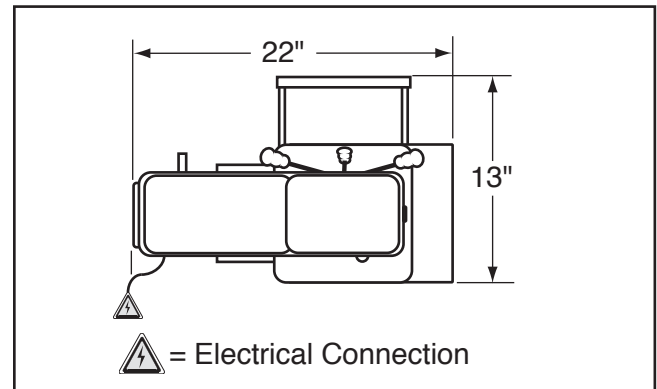
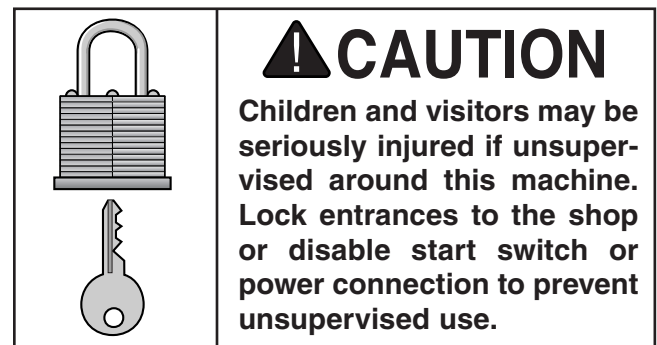


Figure 6. Minimum working clearances.



Bench Mounting

Number of Mounting Holes 4
Diameter of Mounting Hardware Needed .. 1/2"

The base of this machine has mounting holes that allow it to be fastened to a workbench or other mounting surface to prevent it from moving during operation and causing accidental injury or damage.

The strongest mounting option is a "Through Mount" (see example below) where holes are drilled all the way through the workbench—and hex bolts, washers, and hex nuts are used to secure the machine in place.

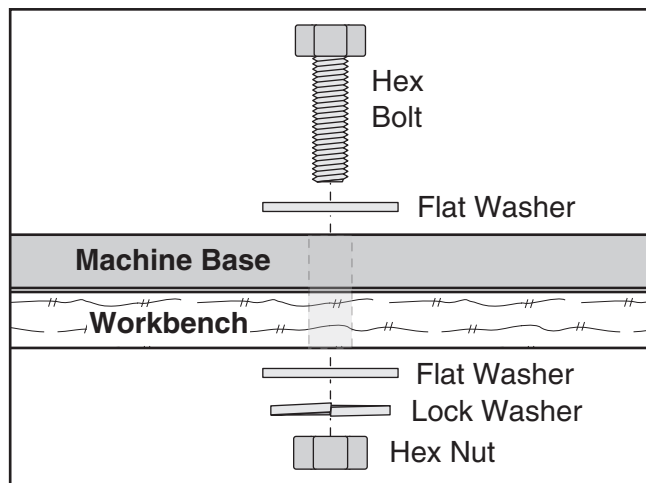


Figure 7. "Through Mount" setup.

Another option is a "direct mount" (see example below) where the machine is secured directly to the workbench with lag screws and washers.

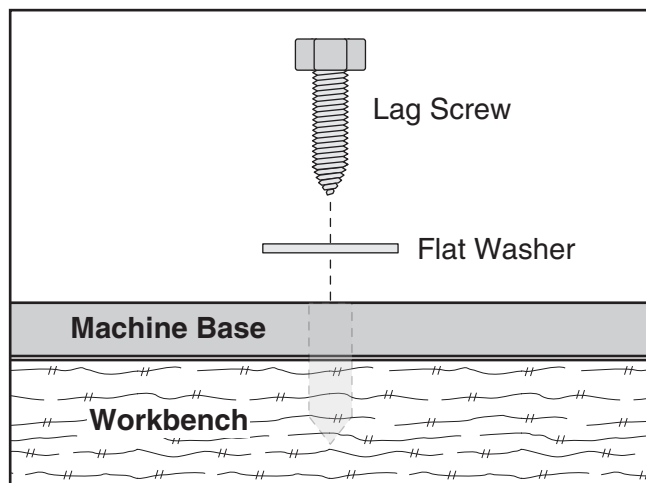


Figure 8. "Direct Mount" setup.

Assembly

The machine must be fully assembled before it can be operated. Before beginning the assembly process, refer to **Needed for Setup** and gather all listed items. To ensure the assembly process goes smoothly, first clean any parts that are covered or coated in heavy-duty rust preventative (if applicable).

To assemble machine:

1. Attach column to base using (4) M8-1.25 x 20 hex bolts (see **Figure 9**).

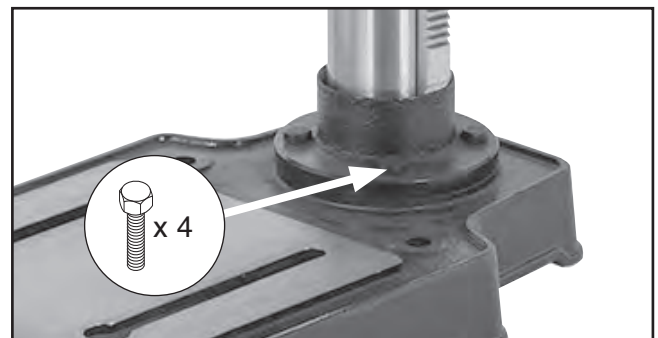



Figure 9. Column attached to base.



⚠ CAUTION

The headstock is very heavy. You **MUST** have assistance when moving, lifting, or mounting the headstock on the column and base assembly.

2. Lift headstock and fit it onto top of column (see **Figure 10**).



Figure 10. Headstock placed on column.



- Suspend a plumb bob from center of headstock spindle so it is over tape/ruler, as shown in **Figure 11**.
- Center headstock directly over base as indicated by plumb bob and ruler (see **Figure 11**).

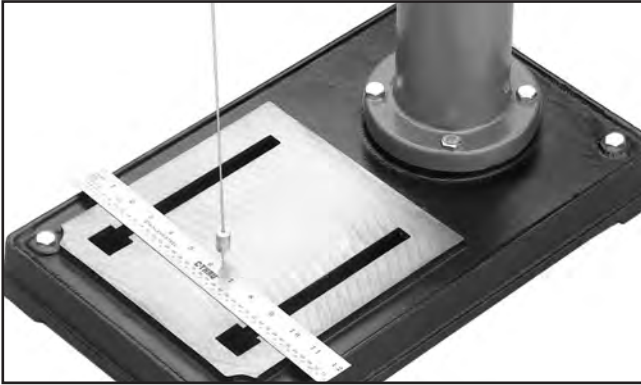


Figure 11. Example of using plumb bob to align headstock to base.

- Tighten (2) pre-installed set screws to secure headstock to column (see **Figure 12**).



Figure 12. Location of set screws that secure headstock to column.

- Attach table height crank handle to table arm (see **Figure 13**) and secure by tightening pre-installed set screw against worm shaft.

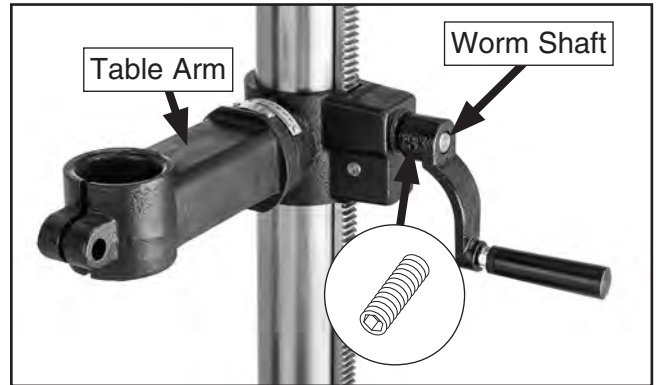


Figure 13. Table height crank handle attached to table arm.

- Thread (1) table height lock handle into worm gear housing cartridge (see **Figure 14**) and tighten until table arm will not move.

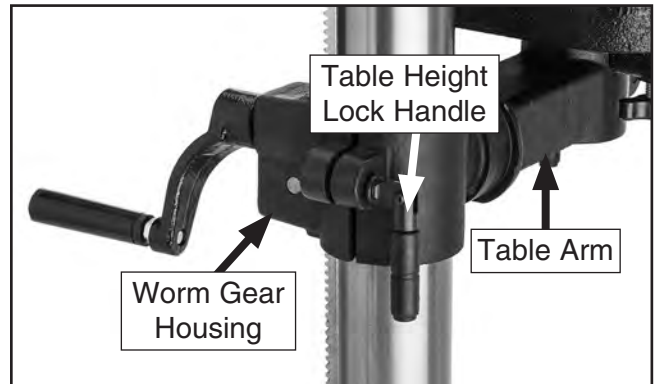


Figure 14. Table height lock handle inserted into cartridge.

- Install table into table mounting arm (see **Figure 15**).

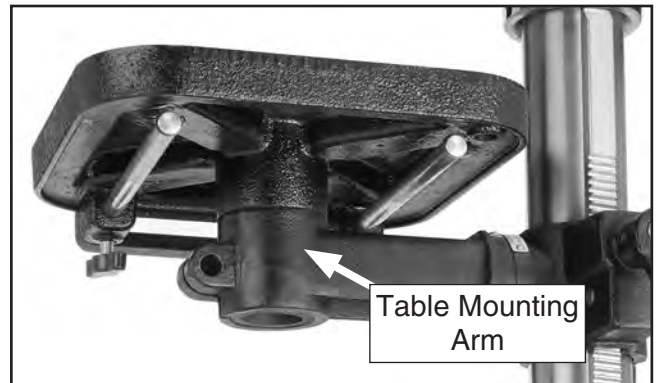


Figure 15. Table installed into table arm.



- Thread (1) table pivot lock handle into table mounting arm cartridge (see **Figure 16**) and tighten until table is secure.

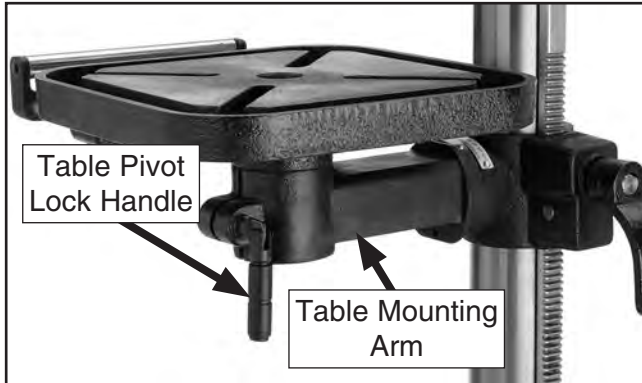


Figure 16. Table secured with table pivot lock handle.

- Thread (3) downfeed handles into downfeed hub, as shown in **Figure 17**.

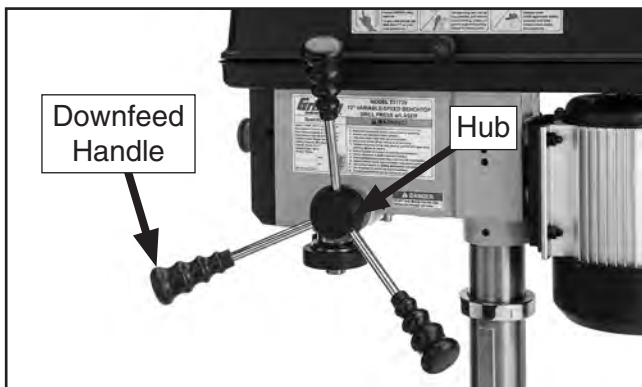


Figure 17. Downfeed handles installed in hub.

- Thread spindle speed lever into speed adjustment hub (see **Figure 18**).

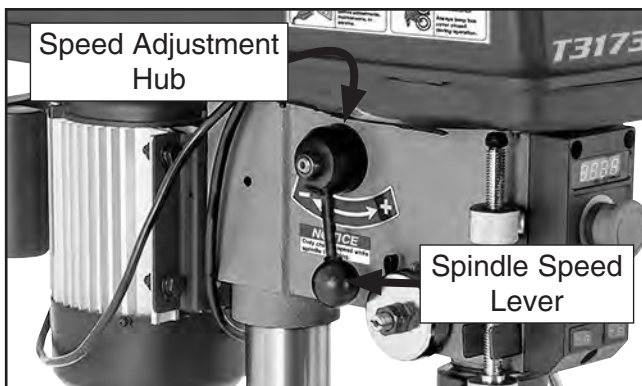


Figure 18. Spindle speed lever installed.

Joining Drill Chuck & Arbor

An arbor is included for the drill chuck that comes with this machine. The following procedure describes how to install the arbor in the chuck.

After the arbor is installed in the drill chuck, it is very difficult to separate the assembly. If you would like to use a different chuck in the future, we recommend obtaining a new arbor.

IMPORTANT: DO NOT install the drill chuck and arbor assembly into the spindle until **AFTER** the test run.

To join drill chuck and arbor:

- Use acetone or lacquer thinner to clean drill chuck and arbor mating surfaces, especially the bore.
- Retract chuck jaws completely into chuck.
- Insert small end of arbor into chuck.
- Hold assembly by the arbor and tap chuck onto a block of wood with medium force, as illustrated below.

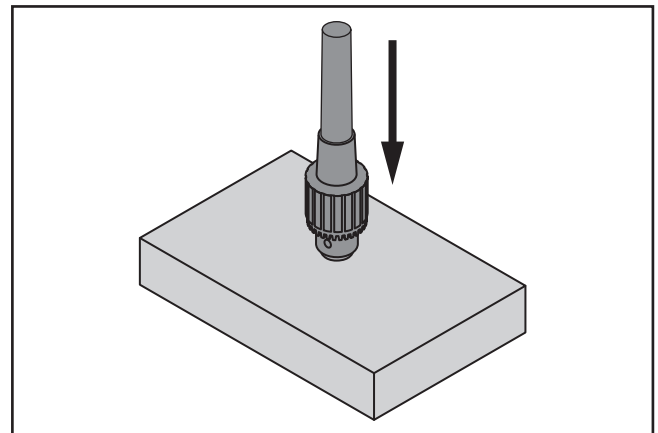


Figure 19. Tapping drill chuck/arbor on block of wood.

- Attempt to separate drill chuck and arbor by hand—if they separate, repeat **Steps 3–4**.



Test Run

Once assembly is complete, test run the machine to ensure it is properly connected to power and safety components are functioning correctly.

If you find an unusual problem during the test run, immediately stop the machine, disconnect it from power, and fix the problem **BEFORE** operating the machine again. The **Troubleshooting** table in the **SERVICE** section of this manual can help.

The Test Run consists of verifying the following:

- 1) The motor powers up and runs correctly, and
- 2) the emergency stop disabling mechanism works correctly.

WARNING

Serious injury or death can result from using this machine **BEFORE** understanding its controls and related safety information. **DO NOT** operate, or allow others to operate, machine until the information is understood.

WARNING

DO NOT start machine until all preceding setup instructions have been performed. Operating an improperly set up machine may result in malfunction or unexpected results that can lead to serious injury, death, or machine/property damage.

To test run machine:

1. Clear all setup tools away from machine.
2. Press Emergency Stop button in.
3. Connect machine to power by inserting power cord plug into a matching receptacle.

Note: *The speed digital readout will not illuminate until **Step 4** is completed.*

4. Twist Emergency Stop button clockwise until it springs out (see **Figure 20**). This resets the switch so the machine can start.

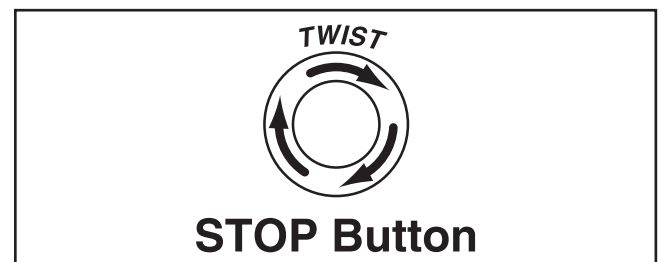


Figure 20. Resetting the switch.

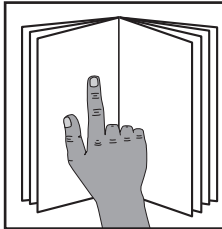
5. Press green ON button (–) to turn machine **ON**. Verify motor starts up and runs smoothly without any unusual problems or noises.
6. Adjust spindle speed throughout full speed range (see **Changing Spindle Speed** on **Page 22**).
7. Press Emergency Stop button to turn machine **OFF**.
8. **WITHOUT** resetting Emergency Stop button, try to start machine by pressing the ON button. The machine should not start.

— If the machine *does not* start, the safety feature of the Emergency Stop button is working correctly. Congratulations! The Test Run is complete.

— If the machine *does* start, immediately turn it **OFF** and disconnect power. The safety feature of the Emergency Stop button is **NOT** working properly and must be replaced before further using the machine.



SECTION 4: OPERATIONS

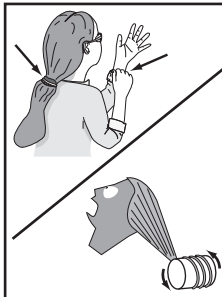
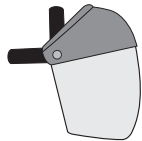


!WARNING

To reduce your risk of serious injury, read this entire manual **BEFORE** using machine.

!WARNING

To reduce risk of eye or face injury from flying chips, always wear approved safety glasses and a face shield when operating this machine.



!WARNING

Keep hair, clothing, and jewelry away from moving parts at all times. Entanglement can result in death, amputation, or severe crushing injuries!

NOTICE

If you are not experienced with this type of machine, **WE STRONGLY RECOMMEND** that you seek additional training outside of this manual. Read books/magazines or get formal training before beginning any projects. Regardless of the content in this section, Grizzly Industrial will not be held liable for accidents caused by lack of training.

Operation Overview

The purpose of this overview is to provide the novice machine operator with a basic understanding of how the machine is used during operation, so the machine controls/components discussed later in this manual are easier to understand.

Due to the generic nature of this overview, it is **not** intended to be an instructional guide. To learn more about specific operations, read this entire manual, seek additional training from experienced machine operators, and do additional research outside of this manual by reading "how-to" books, trade magazines, or websites.

To complete a typical operation, the operator does the following:

1. Examines workpiece to make sure it is suitable for drilling.
2. Puts on required safety glasses and face shield.
3. Firmly secures workpiece to table using a vise or T-slot clamps.
4. Installs correct drill bit for operation.
5. Adjusts table to correct height, then locks it in place.
6. Selects appropriate spindle speed according to drill bit speed chart located on **Page 21**.
7. Connects machine to power, and turns machine **ON**.
8. Performs drilling operation.
9. When finished, turns machine **OFF** and disconnects it from power.



Choosing Spindle Speeds

Using Drill Bit Speed Chart

The chart shown in **Figure 21** is intended as a generic guide only. Always follow the manufacturer's speed recommendations if provided with your drill bits, cutters, or hole saws. Exceeding the recommended speeds may be dangerous to the operator.

The speeds shown here are intended to get you started. The optimum speed will always depend on various factors, including tool diameter, drilling pressure, material hardness, material quality, and desired finish.

Often, when drilling materials other than wood, some type of lubrication is necessary.

Lubrication Suggestions

WoodNone
 PlasticsSoapy Water
 BrassWater-Based Lubricant
 Aluminum..... Paraffin-Based Lubricant
 Mild Steel..... Oil-Based Lubricant

⚠ CAUTION

Larger bits turning at slower speeds tend to grab workpiece aggressively. This can result in operator's hand being pulled into bit or workpiece being thrown with great force. Always clamp workpiece to table to prevent reduce risk of injury.

Twist/Brad Point Drill Bits	Soft Wood	Hard Wood	Plastic	Brass	Aluminum	Mild Steel
1/16" – 3/16"	3000	2500	2500	2500	3000	2500
13/64" – 3/8"	2000	1500	2000	1250	2500	1250
25/64" – 5/8"	1500	750	1500	750	1500	600
11/16" – 1"	750	500	1000	400	1000	350

Spade/Forstner Bits	Soft Wood	Hard Wood	Plastic	Brass	Aluminum	Mild Steel
1/4" – 1/2"	2000	1500	/	/	/	/
9/16" – 1"	1500	1250	/	/	/	/
1-1/8" – 1-7/8"	1000	750	/	/	/	/
2–3"	500	350	/	/	/	/

Hole Saws	Soft Wood	Hard Wood	Plastic	Brass	Aluminum	Mild Steel
1/2" – 7/8"	500	500	600	600	600	500
1" – 1-7/8"	400	400	500	500	500	400
2" – 2-7/8"	300	300	400	400	400	300
3" – 3-7/8"	200	200	300	300	300	200
4" – 5"	100	100	200	200	200	100

Rosette Cutters	Soft Wood	Hard Wood	Plastic	Brass	Aluminum	Mild Steel
Carbide Insert Type	350	250	/	/	/	/
One-Piece Type	1800	500	/	/	/	/

Tenon/Plug Cutters	Soft Wood	Hard Wood	Plastic	Brass	Aluminum	Mild Steel
3/8" – 1/2"	1200	1000	/	/	/	/
5/8" – 1"	800	600	/	/	/	/

Figure 21. Drill bit speed chart (RPMs).



Changing Spindle Speed

The Model T31739 has a variable-speed spindle that operates between 400-2700 RPM. This speed range is achieved using an adjustable pulley system that is controlled by moving the spindle speed lever shown in **Figure 22**.

The digital readout on the front of the headstock displays the spindle RPM. Pull the spindle speed lever forward to increase spindle speed. Push the lever backward to decrease spindle speed.

Note: Spindle speed can only be adjusted when the spindle is running.

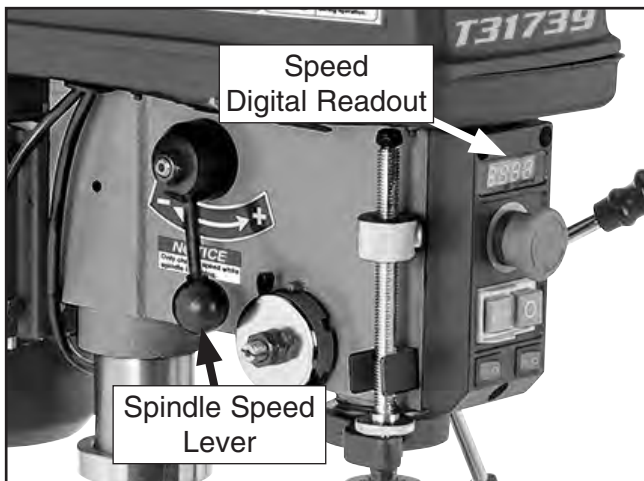


Figure 22. Spindle speed lever and DRO.

Installing/Removing Chuck Arbor

Usually, once the chuck and arbor have been properly mounted together, they are considered semi-permanent connections. If you would like to install a different chuck, we recommend getting a new arbor for that chuck.

Installing Drill Chuck and Arbor

1. DISCONNECT MACHINE FROM POWER!
2. Rotate chuck on arbor until chuck jaws retract into drill chuck body.
3. Slide arbor into spindle socket while slowly rotating chuck to line up tang on arbor with slot in socket (see **Figure 23**).

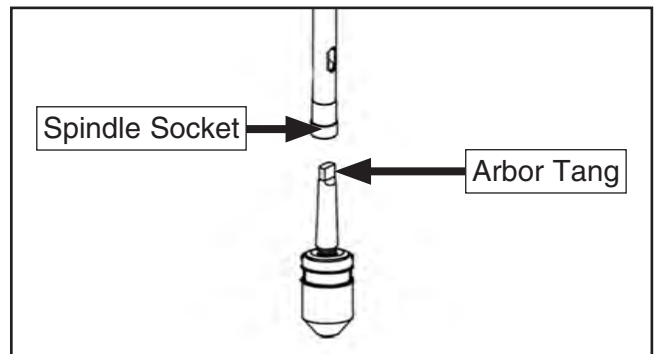


Figure 23. Spindle, arbor, and chuck.

4. Strike face of chuck from below with rubber-faced mallet to seat arbor in spindle.
5. Check seat by gently pulling down on chuck.

Scan this code to see a video of the above process!



Removing Drill Chuck Arbor

The arbor can be removed to install other Morse Taper #2 tooling in the spindle. A drift key is included to help remove the arbor or other tooling from the spindle.

Items Needed	Qty
Metal Hammer.....	1
Towel or Cloth.....	As Needed

To remove drill chuck arbor:

1. DISCONNECT MACHINE FROM POWER!
2. Rotate downfeed handles until drift key slot is exposed in side of quill (see **Figure 24**).

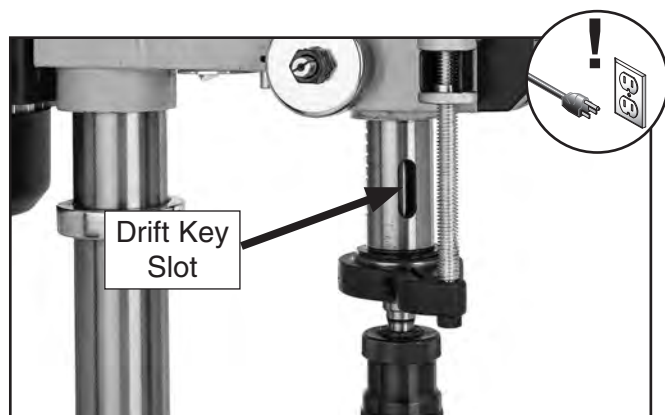


Figure 24. Drift key slot exposed.

3. Adjust feed return stop nut shown in **Figure 25** so it touches stop bracket. The quill should not return up into the head casting when depth stop is adjusted this way.

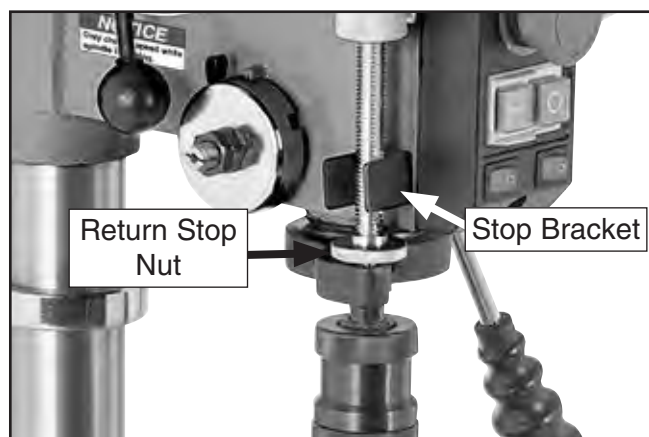


Figure 25. Feed return stop nut location.

4. Move table up until it is 1/4" below bottom of chuck, and place a towel or cloth under the chuck.

5. Rotate spindle until inner drift key slot is aligned with outer slot (see **Figure 26**). You will see through the spindle when the slot is properly aligned.

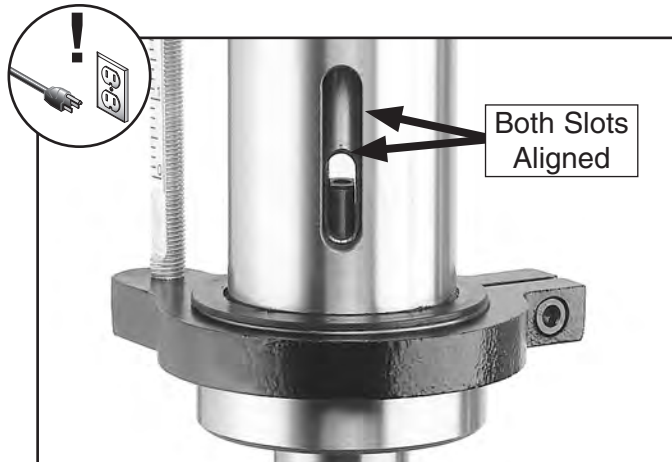


Figure 26. Inner and outer drift key slots aligned.

6. Insert drift key into drift key slot, and allow quill to rise, trapping drift key.
7. Tap drift key with a metal hammer (see **Figure 27**) until chuck releases.

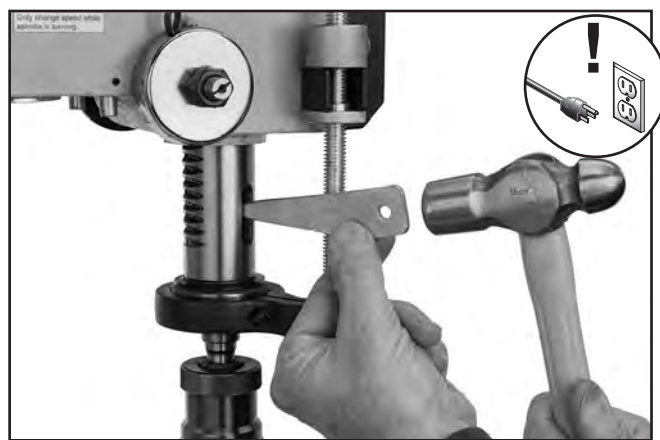


Figure 27. Using drift key to remove arbor from spindle.

8. Hold downfeed handle with one hand, and adjust feed return stop back to bottom of depth stop with the other hand.
9. Carefully retract the quill into the headstock.



Installing/Removing Drill Bits

Any drill bit you install in the chuck must be tight enough that it will not come loose during operation. With a keyless chuck like the one that comes on the T31739, no chuck key is necessary for tightening or loosening.

Installing a Drill Bit

1. DISCONNECT MACHINE FROM POWER!
2. Turn drill chuck counterclockwise on arbor to open jaws enough to accept shank of drill bit.
3. Insert drill bit as far as possible into chuck WITHOUT allowing chuck jaws to touch fluted portion of bit, and hand-tighten chuck clockwise as tightly as you can.

Note: Make sure small bits are not trapped between edges of two jaws; if they are, reinstall drill bit or it will not be secure enough to use for drilling.

Removing a Drill Bit

1. DISCONNECT MACHINE FROM POWER!
2. Turn chuck counterclockwise to open jaws and catch drill bit with a rag to protect hands.

Using LED Worklight

Use light switch on front of headstock to turn on LED worklight. Worklight can be repositioned as necessary by pivoting it forward or backward.

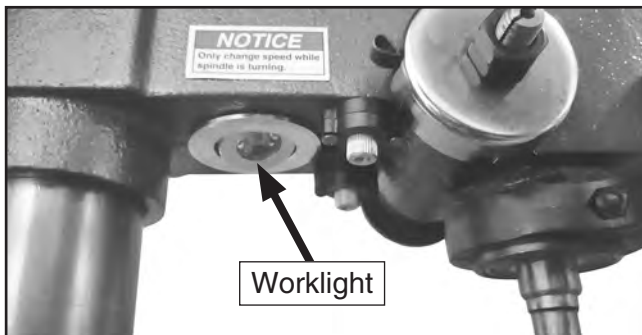


Figure 28. Location of LED worklight.

Adjusting Depth Stop

The Model T31739 has a depth stop that allows you to drill repeat non-through holes to the same depth every time.

The depth stop consists of a stud attached to the quill with a depth nut that can be lowered or raised against a stop bracket to control drilling depth. Figure 29 shows the various components of the depth stop.

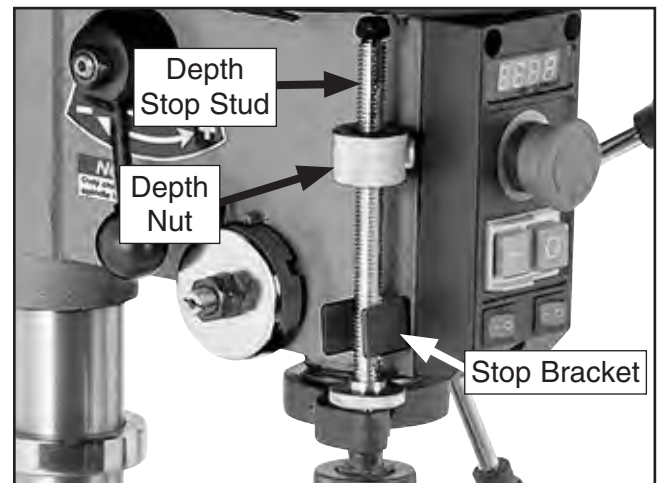


Figure 29. Depth stop components.

To adjust depth stop:

1. Lower drill bit to required height.
2. Thread depth nut down against stop bracket.

Note: The scale on the depth stop can be recalibrated if it gets moved or has changed from factory setting. Refer to **Calibrating Depth Stop** on **Page 32** for instructions on how this is done.



Positioning Table

The table moves vertically, rotates 360°, pivots around the column, and tilts 45° left or right. The support can also be extended to accommodate long workpieces.

Rotating Table

1. Loosen pivot lock handle shown in **Figure 30**.
2. Rotate table to desired position, then re-tighten pivot lock handle.

Raising/Lowering Table

1. Loosen table height lock handle shown in **Figure 30**.
2. Adjust table height by rotating table height crank handle (see **Figure 30**), then re-tighten table height lock handle.

Pivoting Table Around Column

1. Loosen table height lock handle (see **Figure 30**).
2. Pivot table to desired location, making sure guide rack moves around column with table, as shown in **Figure 30**.
3. Retighten table height lock handle.

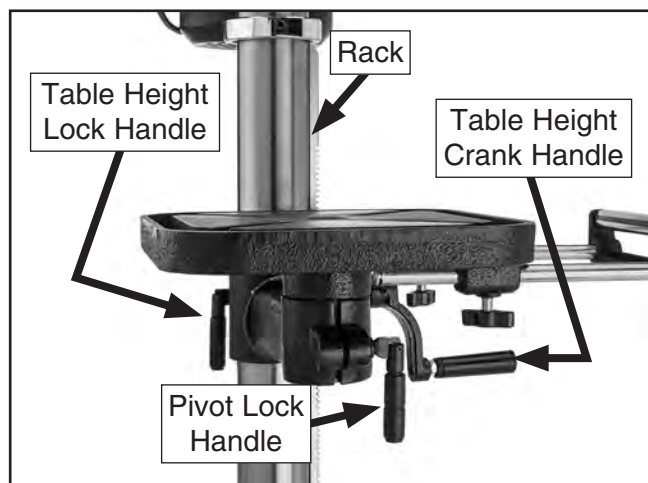


Figure 30. Table adjustment controls.

Tilting Table

1. Loosen the lock bolt and set screw shown in **Figure 31**.
2. Tilt table until pointer aligns with desired angle on scale (see **Figure 31**).

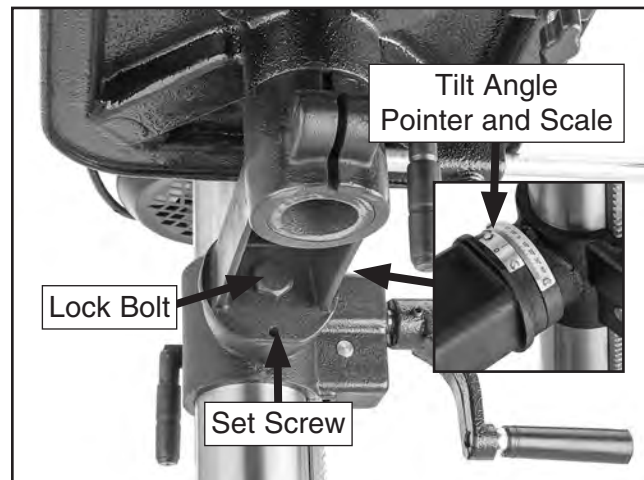


Figure 31. Table tilt controls.

3. Retighten set screw and lock bolt to secure table position.

Adjusting Support Arm Extension

1. Loosen support arm extension locks (see **Figure 32**).

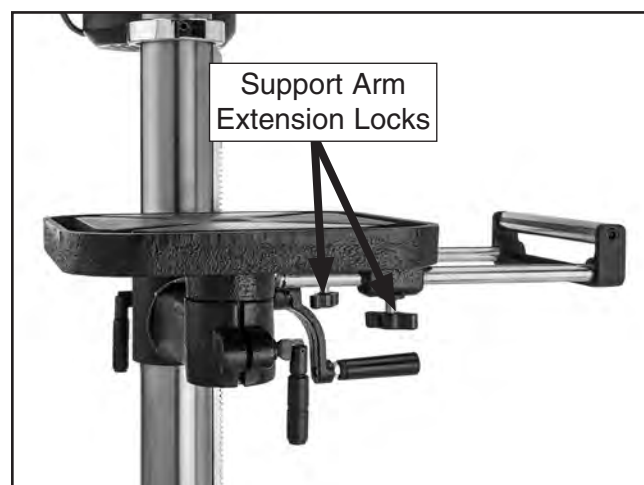


Figure 32. Support arm extension locks.

2. Adjust support arm to desired length.
3. Tighten support arm extension locks.



Adjusting Laser

The crosshair lasers should be checked and adjusted for accuracy before starting a new project, raising or lowering the table, or changing workpiece thickness.

If a laser burns out, refer to **Replacing Lasers & Worklight** on **Page 33** to replace.

WARNING
DO NOT look directly into laser. Severe eye injury will result.

Items Needed	Qty
Phillips Head Screwdriver #1.....	1

To adjust lasers:

1. DISCONNECT MACHINE FROM POWER!
2. Install drill bit in chuck (see **Installing/Removing Drill Bits** on **Page 24**).
3. Clamp workpiece to table.
4. Adjust table so workpiece is just below drill bit, then lock table in position.
5. Lower drill bit so it touches workpiece, making a slight indentation in the surface, then raise bit.
6. Connect drill press to power. Turn laser **ON** using switch on front of drill press (see **Figure 33**).

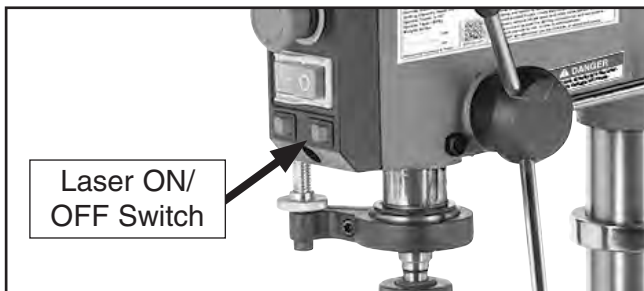


Figure 33. Location of laser ON/OFF switch.

7. Loosen (2) Phillips head screws securing each laser seat then adjust lasers by hand (**Figure 34**), positioning them so crosshairs align with indentation you made earlier in surface of workpiece (see **Figure 35**).

- Turning each laser will adjust each crosshair line angle.
- Adjusting laser position in seat will adjust crosshair line positions.

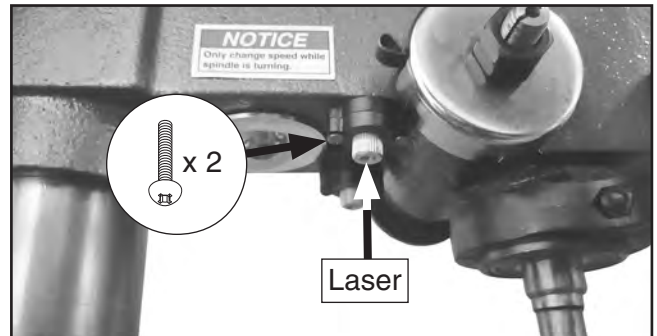


Figure 34. Laser adjustment components.

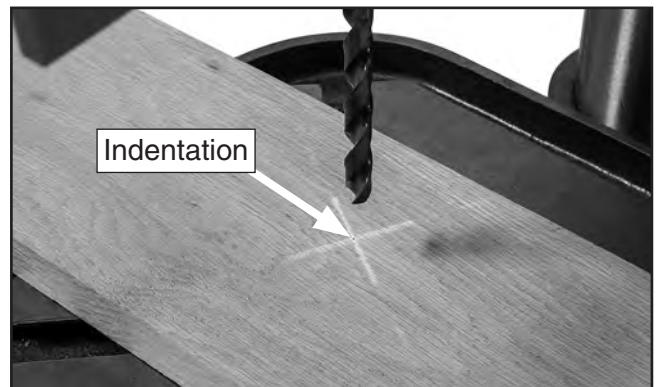


Figure 35. Crosshairs aligned with indentation on workpiece.

8. Once crosshairs are aligned with indentation in workpiece, tighten screws loosened in **Step 7** to secure laser positions.



SECTION 5: ACCESSORIES

! WARNING

Installing unapproved accessories may cause machine to malfunction, resulting in serious personal injury or machine damage. To reduce this risk, only install accessories recommended for this machine by Grizzly.

NOTICE

Refer to our website or latest catalog for additional recommended accessories.

D2139—Steelex® Cobalt Alloy Drill Bits 21-Pc. Set

Because of its resistance to heat and stress, Cobalt Alloy bits turn faster without overheating. The 135° split point enables the drill to use less thrust and eliminates the tendency of the drill point to walk, which makes these great for use in portable drills or drill presses. Cobalt Alloy bits will retain their edge sharpness longer than normal HSS bits, resulting in a significant saving of time and money in the workshop. Includes 1/16"- 3/8" bits and a heavy-gauge steel index case for storage.



Figure 36. Model D2139 21-Pc. Alloy Drill Bits.

G5978—Drill Press Vise 6"

If you use a drill press and value your fingers, you need one of these. Made from high-grade cast iron, these hefty horizontal vises offer support and stability, allowing you to keep your hands well away from fast moving bits and cutters.

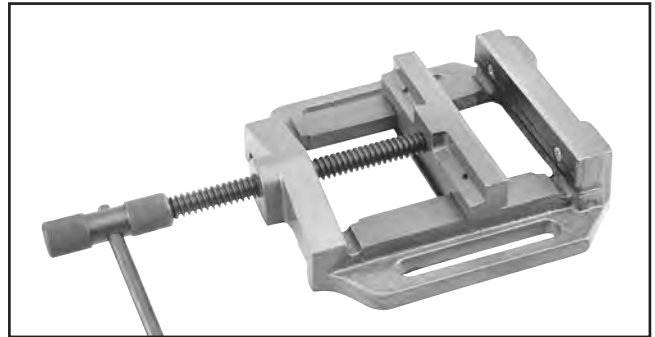


Figure 37. Model G5978 Drill Press Vise 6".

H8203—Professional Drill Bit Sharpening Machine (For Bits 1/8"–1/2" in Diameter)

This precision made Drill Bit Sharpening Machine is so simple to use, anyone can sharpen dull, smaller bits in three easy steps. Just set the drill bit in the collet, grind the taper relief angle, then grind the web thinning angle to reduce the center point width. It features a depth adjustment gauge, tapered diamond wheel, 90°–140° angle setting adjustment, and built-in collet tray. Collet sizes include 1/8", 5/32", 3/16", 1/4", 9/32", 5/16", 3/8", 25/64", 7/16", 15/32", and 1/2". Patented in the US!

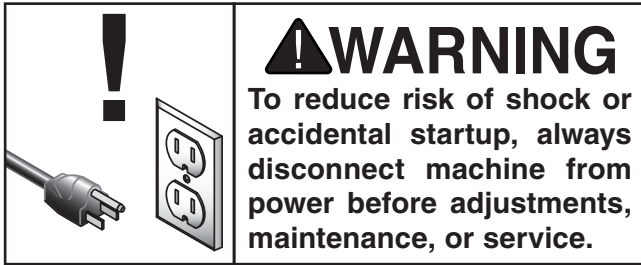


Figure 38. H8203 Professional Drill Bit Sharpening Machine.

order online at www.grizzly.com or call 1-800-523-4777



SECTION 6: MAINTENANCE



Schedule

For optimum performance from this machine, this maintenance schedule must be strictly followed.

Ongoing

To minimize your risk of injury and maintain proper machine operation, shut down the machine immediately if you ever observe any of the items below, and fix the problem before continuing operations:

- Loose mounting bolts.
- Worn switches.
- Worn or damaged wires.
- Damaged V-belt.
- Any other unsafe condition.

Monthly Check

- V-belt tension, damage, or wear (**Page 32**).
- Clean/vacuum dust buildup off motor.

Cleaning & Protecting

Cleaning the Model T31739 is relatively easy. Vacuum excess wood chips and sawdust, and wipe off the remaining dust with a dry cloth. If any resin has built up, use a resin dissolving cleaner to remove it.

Protect the unpainted cast-iron table by wiping it clean after every use—this ensures moisture from wood dust does not remain on bare metal surfaces. Keep the table rust-free with regular applications of products like those in **Figure 39**.

- G5562—SLIPIT® 1 Qt. Gel
- G5563—SLIPIT® 12 Oz. Spray
- G2871—Boeshield® T-9 12 Oz. Spray
- H3788—G96® Gun Treatment 12 Oz. Spray



Figure 39. Recommended products for protecting unpainted cast-iron and steel.

Lubrication

An essential part of lubrication is cleaning the components before lubricating them.

This step is critical because grime and chips build up on lubricated components, which makes them hard to move. Simply adding more lubricant will not result in smooth moving parts.

Clean components in this section before lubricating with recommended products like those shown in **Figure 40**.

DISCONNECT MACHINE FROM POWER BEFORE PERFORMING LUBRICATION.

- T23962—ISO 68 Moly-D Way Oil, 5 Gal.
- T26419—Syn-O-Gen Synthetic Grease



Figure 40. Recommended lubrication products.

Model T31739 (Mfd. Since 11/19)



Quill & Column Surfaces

Oil TypeGrizzly T23962 or ISO 68 Equivalent
 Oil Amount.....Thin Coat
 Lubrication Frequency8 Hrs. of Operation

Move the spindle all the way down to access the smooth surfaces of the quill. Adjust table height as necessary to access entire length of column (see **Figures 41–42**). Clean both with mineral spirits and shop rags.

Note: Avoid removing the grease from the column and quill racks during cleaning.

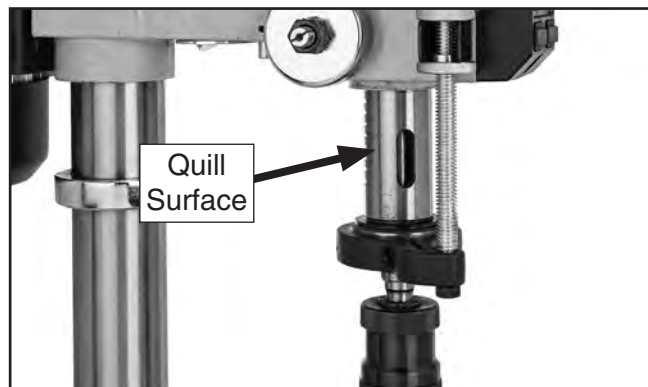


Figure 41. Quill surface.

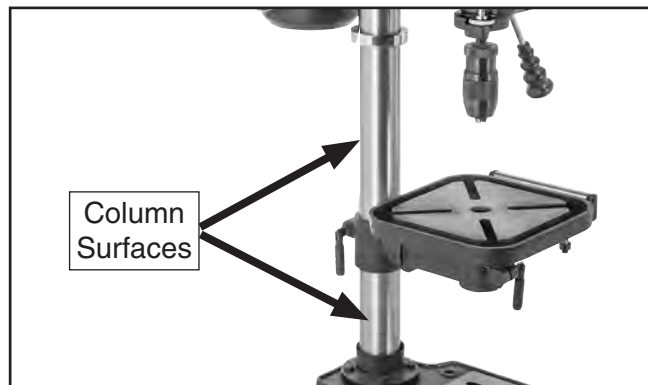


Figure 42. Column surface locations.

After cleaning, allow mineral spirits to dry, then apply a thin coat of oil to the surfaces.

Column Rack, Quill Rack & Pinion

Grease TypeGrizzly T26419 or NLGI#2 Equiv
 Grease AmountThin Coat
 Lubrication Frequency 90 hrs. of Operation

Move spindle all the way down to gain full access to quill rack (see **Figure 43**), then clean teeth with mineral spirits, shop rags, and a brush.

Clean the column rack teeth in a similar manner with mineral spirits, shop rags, and a brush.

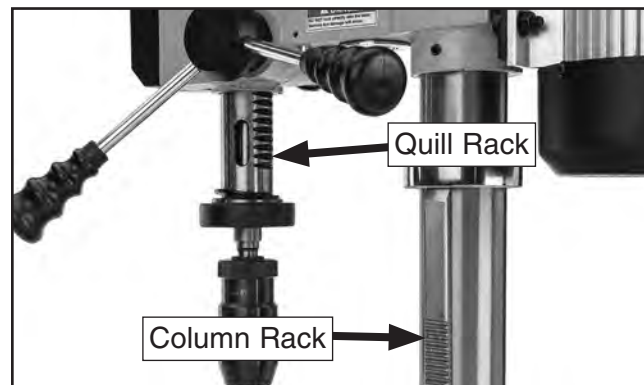


Figure 43. Quill and column rack locations.

After cleaning, allow mineral spirits to dry, then use a brush to apply a thin coat of grease to the rack teeth, then fully raise/lower quill and table to distribute grease.

Note: Apply oil to the quill smooth outside surface that was removed during the cleaning process.

Support Arm Extension Rods

Oil TypeGrizzly T23962 or ISO 68 Equivalent
 Oil Amount.....Thin Coat
 Lubrication Frequency As Needed

Clean support arm extension rods (see **Figure 44**) with mineral spirits and a shop rag.



Figure 44. Support arm rod location.

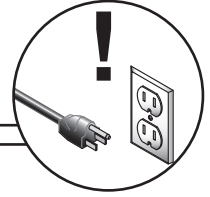
After cleaning, allow mineral spirits to dry, then apply a thin coat of oil to the rods. Move support arm in and out to distribute lubricant.



SECTION 7: SERVICE

Review the troubleshooting procedures in this section if a problem develops with your machine. If you need replacement parts or additional help with a procedure, call our Technical Support. **Note:** *Please gather the serial number and manufacture date of your machine before calling.*

Troubleshooting



Motor & Electrical

Symptom	Possible Cause	Possible Solution
Machine does not start, or power supply fuse/breaker trips immediately after startup.	<ol style="list-style-type: none"> 1. E-Stop Button depressed/at fault. 2. Incorrect power supply voltage or circuit size. 3. Power supply circuit breaker tripped or fuse blown. 4. Start capacitor at fault. 5. Wiring broken, disconnected, or corroded. 6. ON/OFF buttons at fault. 7. Motor at fault. 	<ol style="list-style-type: none"> 1. Rotate E-Stop Button head to reset. Replace if at fault. 2. Ensure correct power supply voltage and circuit size (Page 10). 3. Ensure circuit is sized correctly and free of shorts. Reset circuit breaker or replace fuse. 4. Test/replace if at fault. 5. Fix broken wires or disconnected/corroded connections (Page 36). 6. Replace. 7. Test/repair/replace.
Machine stalls or is underpowered.	<ol style="list-style-type: none"> 1. Incorrect bit/cutter for task. 2. Feed rate/cutting speed too fast. 3. Dull bit/cutter. 4. Belt slipping. 5. Machine undersized for task. 6. Motor overheated. 7. Pulley slipping on shaft. 8. Motor at fault. 	<ol style="list-style-type: none"> 1. Use correct bit/cutter for task. 2. Decrease feed rate/cutting speed (Page 22). 3. Sharpen bit/cutter or replace. 4. Ensure belt is oil free, tension/replace belt (Page 32). 5. Use correct cutter/bit; reduce feed rate; reduce spindle RPM; use cutting fluid if possible. 6. Clean motor/let cool, and reduce workload. 7. Tighten loose pulley; replace broken/missing parts. 8. Test/repair/replace.
Machine has vibration or noisy operation.	<ol style="list-style-type: none"> 1. Motor or component loose. 2. V-belt worn. 3. Incorrectly mounted to workbench. 4. Motor mount loose/broken. 5. Spindle loose, improperly installed or damaged. 6. Workpiece loose. 7. Motor fan rubbing on fan cover. 8. Spindle bearings at fault. 9. Chuck or cutter at fault. 10. Motor bearings at fault. 	<ol style="list-style-type: none"> 1. Replace damaged or missing bolts/nuts or tighten if loose. 2. Inspect/replace belt (Page 32). 3. Shim or tighten mounting hardware (Page 16). 4. Tighten/replace. 5. Tighten loose spindle, install spindle with clean mating surfaces, replace spindle if damaged. 6. Use the correct holding fixture for workpiece. 7. Fix/replace fan cover; replace loose/damaged fan. 8. Test by rotating spindle; rotational grinding/loose shaft requires bearing replacement. 9. Replace out-of-round chuck, dull, or bent cutter. 10. Test by rotating shaft; rotational grinding/loose shaft requires bearing replacement.



Drill Press Operations

Symptom	Possible Cause	Possible Solution
Tool falls out/loose in spindle/chuck.	<ol style="list-style-type: none"> 1. Tool loose or incorrectly installed. 2. Debris on tool or in spindle taper. 3. Excessive feed pressure. 	<ol style="list-style-type: none"> 1. Remove and re-install (Page 24). 2. Clean tool and spindle taper, then re-install. 3. Decrease feed pressure and allow chips to clear.
Breaking tools or cutters.	<ol style="list-style-type: none"> 1. Spindle speed/feed rate too fast. 2. Taking too big of cut at one time. 3. Improper cutting technique or type of cut. 4. Cutting tool getting too hot. 5. Spindle extended too far down while drilling. 	<ol style="list-style-type: none"> 1. Reduce spindle speed; reduce feed rate. 2. Decrease feed pressure and allow chips to clear. 3. Use right technique, tool, or machine for job. 4. Use coolant or oil for appropriate application (Page 21); reduce cutting speed (Page 22). 5. Retract spindle and raise table to increase rigidity.
Workpiece or tool vibrates or chatters during operation.	<ol style="list-style-type: none"> 1. Spindle extended too far down while drilling. 2. Table locks not tight. 3. Workpiece not secure. 4. Spindle speed/feed rate too fast. 	<ol style="list-style-type: none"> 1. Retract spindle and raise table to increase rigidity. 2. Tighten table locks (Page 25). 3. Properly clamp workpiece on table or in vise. 4. Reduce spindle speed (Page 22); reduce feed rate.
Table hard to move.	<ol style="list-style-type: none"> 1. Table locked. 2. Dirty or dry rack and pinion. 	<ol style="list-style-type: none"> 1. Disengage table locks (Page 25). 2. Clean away chips/debris. Lubricate rack and pinion.
Spindle overheats.	<ol style="list-style-type: none"> 1. Drill press operated too long at high speeds. 	<ol style="list-style-type: none"> 1. Allow drill press to cool. Avoid operating at high speeds for extended time.
Spindle does not fully retract.	<ol style="list-style-type: none"> 1. Poorly adjusted/worn return spring. 2. Debris on spindle/quill rack. 	<ol style="list-style-type: none"> 1. Replace/increase return spring tension (Page 35). 2. Clean and lubricate spindle/quill rack.
Drill bit drifts.	<ol style="list-style-type: none"> 1. Dull/incorrectly sharpened drill bit. 2. Tool/bit/chuck incorrectly installed. 	<ol style="list-style-type: none"> 1. Correctly sharpen drill bit. 2. Correctly install tool/bit/chuck.
Drill bit stuck in workpiece.	<ol style="list-style-type: none"> 1. Workpiece loose. 2. Lack of proper lubrication for workpiece material. 3. Bit/cutting tool loose in chuck. 4. Spindle speed/feed rate too slow/fast. 	<ol style="list-style-type: none"> 1. Properly clamp workpiece. 2. Use appropriate lubrication for application (Page 21). 3. Remove and re-install (Page 24). 4. Adjust spindle speed (Page 22); feed rate.
Workpiece thrown from table.	<ol style="list-style-type: none"> 1. Workpiece not secure; bit too large for feed speed. 	<ol style="list-style-type: none"> 1. Properly clamp workpiece on table or in vise; decrease feed speed.
Excessive runout or wobbling in chuck/ drill bit.	<ol style="list-style-type: none"> 1. Debris between chuck-to-spindle mating surface. 2. Tool/bit bent or installed incorrectly. 3. Spindle bearings worn. 	<ol style="list-style-type: none"> 1. Remove chuck, clean, deburr tapered chuck and spindle mating surfaces, reassemble. 2. Install tool/bit correctly or replace (Page 25). 3. Replace spindle bearings.
Depth stop inaccurate.	<ol style="list-style-type: none"> 1. Depth stop not calibrated. 	<ol style="list-style-type: none"> 1. Calibrate depth stop (Page 32).
Backside of workpiece splinters.	<ol style="list-style-type: none"> 1. Scrap board not installed between table and workpiece. 	<ol style="list-style-type: none"> 1. Install scrap board between table and workpiece.
Speed DRO display is incorrect.	<ol style="list-style-type: none"> 1. Speed sensor catching on pulley/at fault. 2. DRO circuit board wiring broken, disconnected, or corroded. 	<ol style="list-style-type: none"> 1. Adjust position/replace if at fault. 2. Fix broken wires or disconnected/corroded wiring connections (Page 36).
Laser or LED does not work.	<ol style="list-style-type: none"> 1. Lens covered with dust. 2. Wires disconnected or damaged. 3. Laser/LED ON/OFF switch at fault. 4. Laser/LED damaged/at fault. 5. Circuit board at fault. 	<ol style="list-style-type: none"> 1. Clean lens. 2. Check for proper connections or replace (Page 36). 3. Replace switch. 4. Replace laser/LED (Page 33). 5. Replace circuit board.



V-Belt Tension & Replacement

The V-belt transfers power from the motor to the spindle. If the V-belt does not have the proper tension or is damaged or contaminated with oil/grease, the drill press will not operate with full power. Regularly check V-belt tension and replace the belt when necessary. **Figure 45** shows the V-belt tension components.

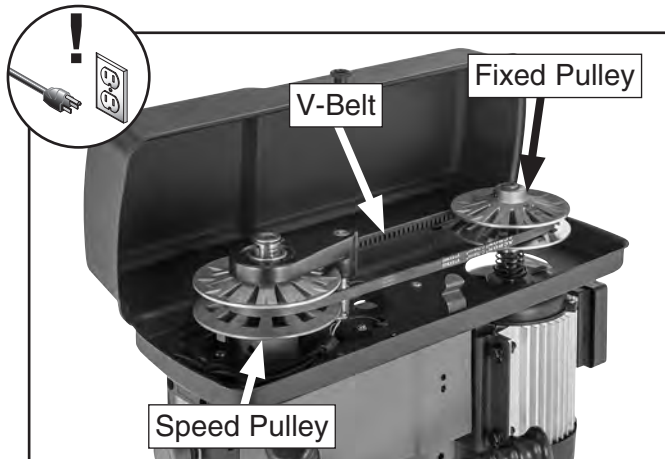


Figure 45. V-belt tension components.

To replace V-belt:

1. DISCONNECT MACHINE FROM POWER!
2. Adjust spindle speed lever fully forward to highest speed setting (see **Figure 46**) to release belt tension.

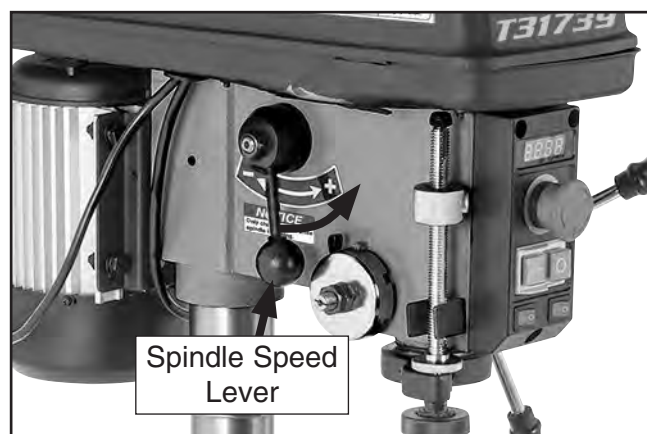


Figure 46. Spindle speed lever location.

3. Open belt cover.
4. Remove old belt and install a new one.
5. Close belt cover and connect machine to power.
6. To re-tension belt, turn spindle rotation **ON**, and adjust spindle speed lever to lowest speed setting.

Note: *Belt tension cannot be reapplied without spindle turning.*

Calibrating Depth Stop

The depth stop allows you to drill multiple holes at the same depth. The scale on this depth stop can be calibrated if it ever becomes incorrect.

To calibrate depth stop:

1. Loosen return stop nut and calibration nut shown in **Figure 47**.

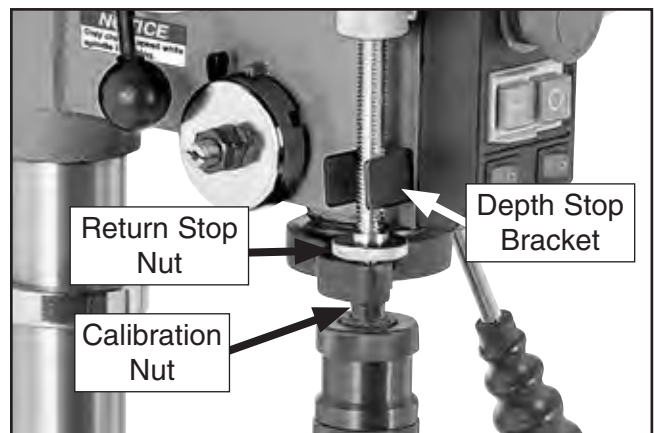


Figure 47. Calibration components.

2. Use calibration nut to zero depth stop scale with depth stop bracket.
3. Hold depth stop at zero, and tighten return stop nut to hold depth stop in position.
4. Test depth stop by measuring how far spindle moves with respect to where you set depth stop.



Replacing Lasers & LED Worklight

If either one of the lasers or the LED bulb in the worklight burn out and need to be replaced, they must be rewired. A wiring diagram is provided on **Page 36** for your reference.

Items Needed	Qty
Phillips Head Screwdriver #1, #2.....	1 Ea.
New Laser & Cord (#PT31739067)	1

Replacing Laser

1. DISCONNECT MACHINE FROM POWER!
2. Remove (2) Phillips head screws securing burned out laser in laser seat (see **Figure 48**).

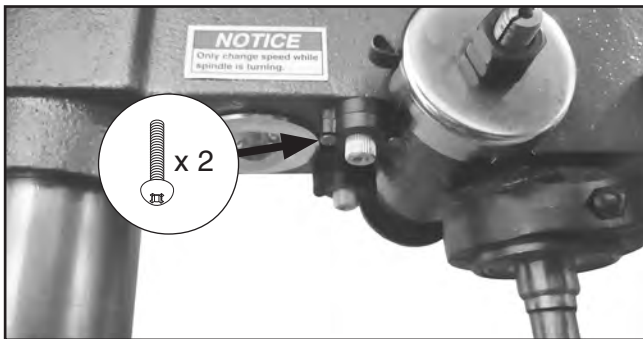


Figure 48. Location of Phillips head screws securing laser.

3. Open belt cover and identify which cord is connected to laser by lightly tugging cords fed into headstock (see **Figure 49**).

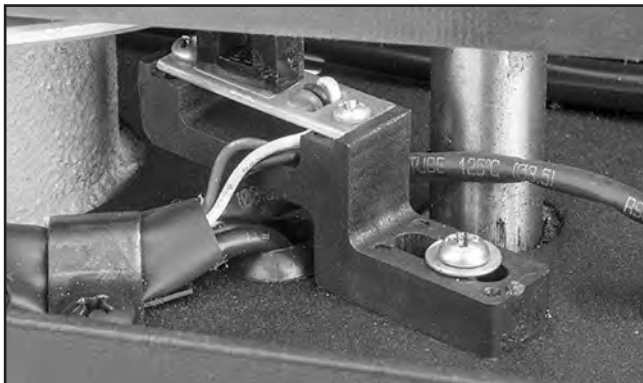


Figure 49. Worklight and laser cords fed into headstock.

4. Remove control panel cover. Find where laser cord wires connect to laser switch and crimp wire connector (see **Figure 50**).

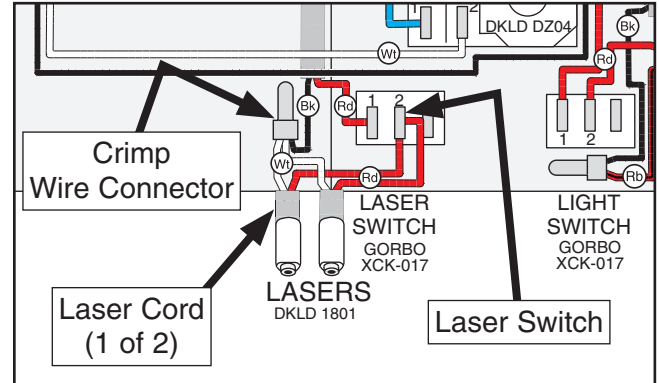


Figure 50. Laser wiring.

5. Remove burned out laser wires from their connections on laser switch and in crimp wire connector, then remove laser from headstock, pulling wires with it.
6. Insert new laser wires up through hole in headstock, through belt cover, and attach wires to laser switch and crimp wire connector as they were connected in **Step 4**.
7. Replace control panel cover and close belt cover.
8. Refer to **Adjusting Laser** on **Page 26** to secure and adjust laser.



Replacing Worklight

Items Needed

	Qty
Phillips Head Screwdriver #2	1 Ea.
New Worklight & Cord (#PT31739066)	1

To replace worklight:

1. DISCONNECT MACHINE FROM POWER!
2. Grip and pull worklight down through headstock hole to reveal spring clamps (see **Figure 51**). Quarter-turn the worklight to release clamps and worklight.

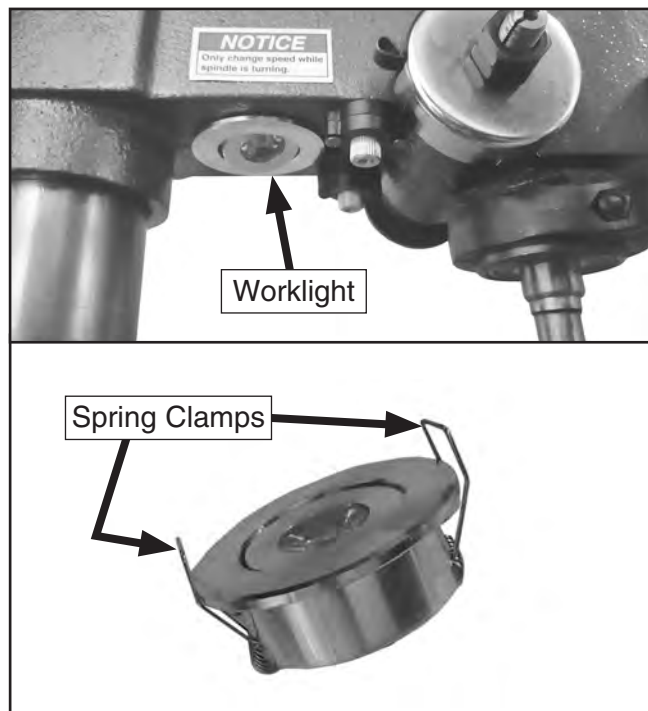


Figure 51. Worklight position and clamps.

3. Open belt cover and identify which cord is connected to worklight by lightly tugging cords fed into headstock (see **Figure 52**).

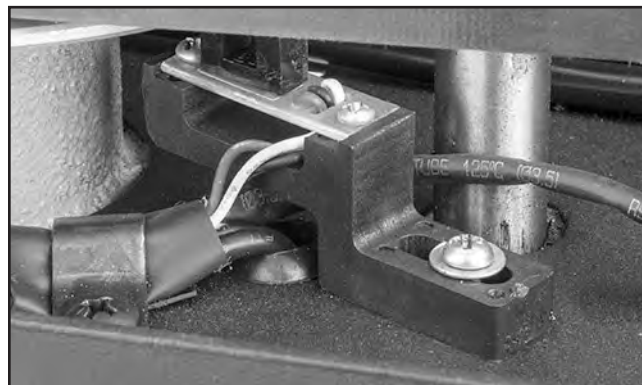


Figure 52. Cords fed into headstock.

4. Remove control panel cover. Find where worklight cord wires connect to worklight switch and crimp wire connector (see **Figure 53**).

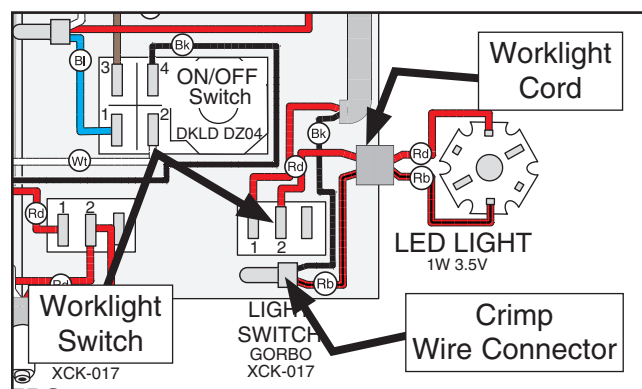


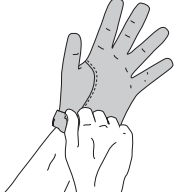

Figure 53. Worklight wiring.

5. Replace old worklight wires with new worklight wires, and feed new worklight back through headstock and worklight hole.
6. Replace control panel cover and close belt cover.
7. Use spring clamps to secure worklight in position.



Adjusting Spring Tension

The spring tension for automatic quill recoil has been pre-set at the factory. In most cases, it will never need to be re-adjusted during life of the machine. However, if quill stops automatically recoiling, the spring may need to be adjusted for additional tension. If it does need adjustment, the spring housing is located on the left side of the headstock.

	<p>⚠ WARNING If the return spring should come loose from the spring cap and rapidly unwind, laceration or impact injuries could occur. Always wear heavy leather gloves and safety glasses when adjusting the return spring tension.</p>
	

Items Needed	Qty
Heavy Leather Gloves.....	1 Pair
Safety Glasses	1 Pair
Shop Rags.....	As Needed
Open-End Wrench 19mm.....	1

To adjust spring tension:

1. DISCONNECT MACHINE FROM POWER!
2. PUT ON SAFETY GLASSES!
3. Wipe any oil off spring lock cover so it does not slip in your fingers when you hold the cover from spinning (see **Figure 55**).
4. Hold spring lock cover against side of headstock so the cover stays splined with locking lug, as shown in **Figure 55**, then loosen jam nut and loosen cover nut approximately 1/4" each.

IMPORTANT: Hold spring cover tightly during **Step 5**, or force of spring will cause cover to spin out of your hands.

5. Wearing gloves, pull spring cover (see **Figure 55**) outward just enough to disengage spring-cover lock slot from locking lug.
6. Rotate cover counterclockwise to increase tension, or let cover slowly unwind in clockwise direction to reduce spring tension (see **Figure 54**).

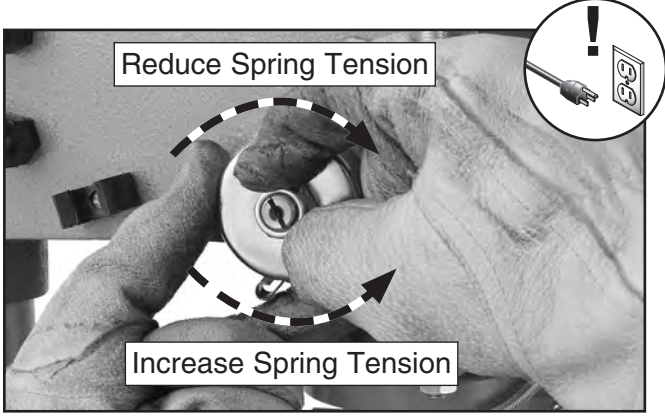


Figure 54. Example of adjusting cover.

7. Engage next available spring-cover lock slot with locking lug (see **Figure 55**) and hold spring lock cover tightly to side of headstock.

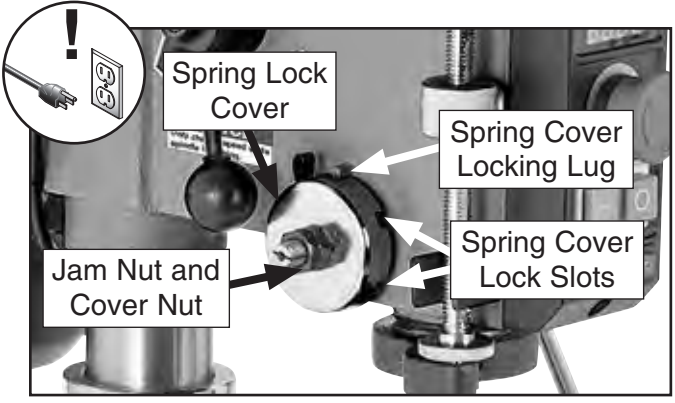


Figure 55. Spindle return spring assembly.

8. Tighten cover nut against spring cover just until nut stops, and then back off nut approximately 1/3 turn.
9. Hold cover nut and tighten jam nut to cover nut.
10. Check return spring tensioning by downfeeding spindle. Spindle should return quickly when downward pressure is released.

— If spindle does not retract quickly, repeat **Steps 4–9**, and re-check tension until return speed is adequate.



SECTION 8: WIRING

These pages are current at the time of printing. However, in the spirit of improvement, we may make changes to the electrical systems of future machines. Compare the manufacture date of your machine to the one stated in this manual, and study this section carefully.

If there are differences between your machine and what is shown in this section, call Technical Support at (570) 546-9663 for assistance BEFORE making any changes to the wiring on your machine. An updated wiring diagram may be available. **Note:** *Please gather the serial number and manufacture date of your machine before calling. This information can be found on the main machine label.*

WARNING

Wiring Safety Instructions

SHOCK HAZARD. Working on wiring that is connected to a power source is extremely dangerous. Touching electrified parts will result in personal injury including but not limited to severe burns, electrocution, or death. Disconnect the power from the machine before servicing electrical components!

MODIFICATIONS. Modifying the wiring beyond what is shown in the diagram may lead to unpredictable results, including serious injury or fire. This includes the installation of unapproved after-market parts.

WIRE CONNECTIONS. All connections must be tight to prevent wires from loosening during machine operation. Double-check all wires disconnected or connected during any wiring task to ensure tight connections.

CIRCUIT REQUIREMENTS. You MUST follow the requirements at the beginning of this manual when connecting your machine to a power source.

WIRE/COMPONENT DAMAGE. Damaged wires or components increase the risk of serious personal injury, fire, or machine damage. If you notice that any wires or components are damaged while performing a wiring task, replace those wires or components.

MOTOR WIRING. The motor wiring shown in these diagrams is current at the time of printing but may not match your machine. If you find this to be the case, use the wiring diagram inside the motor junction box.











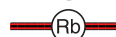

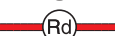

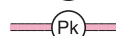
CAPACITORS/INVERTERS. Some capacitors and power inverters store an electrical charge for up to 10 minutes after being disconnected from the power source. To reduce the risk of being shocked, wait at least this long before working on capacitors.

EXPERIENCING DIFFICULTIES. If you are experiencing difficulties understanding the information included in this section, contact our Technical Support at (570) 546-9663.

NOTICE

The photos and diagrams included in this section are best viewed in color. You can view these pages in color at www.grizzly.com.

COLOR KEY

BLACK 	BLUE 	YELLOW 	LIGHT BLUE 
WHITE 	BROWN 	YELLOW GREEN 	BLUE WHITE 
GREEN 	GRAY 	RED BLACK 	TURQUOISE 
RED 	ORANGE 	PINK 	



Wiring Diagram

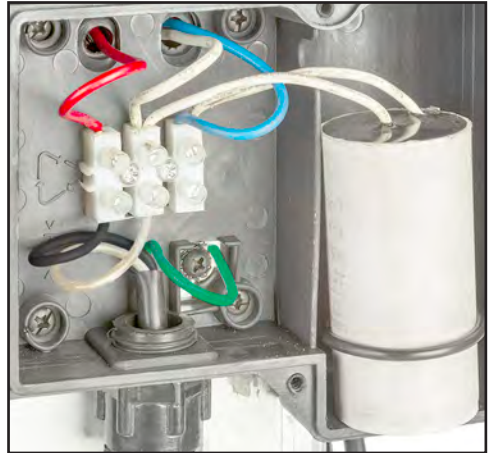
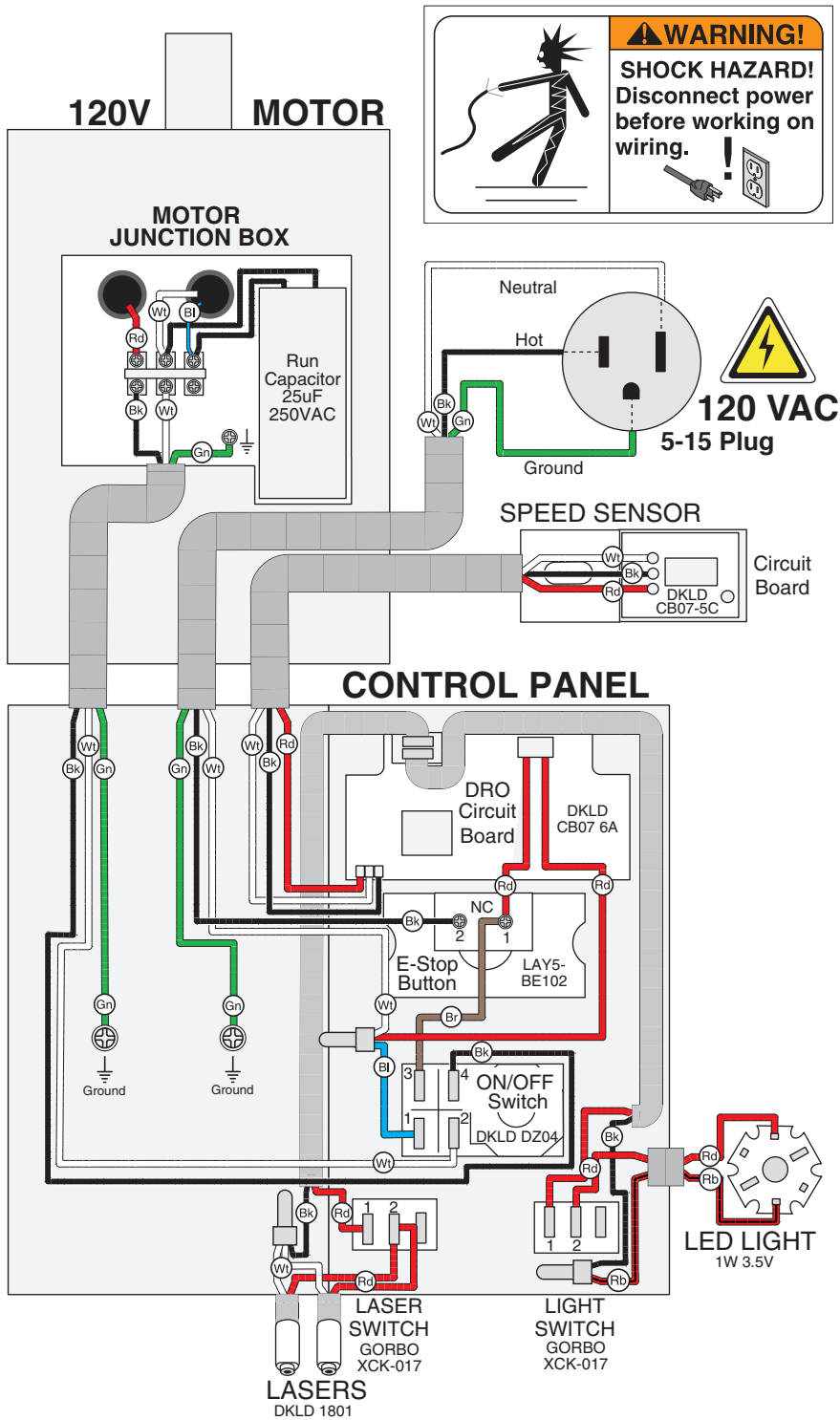


Figure 56. Motor junction box wiring.

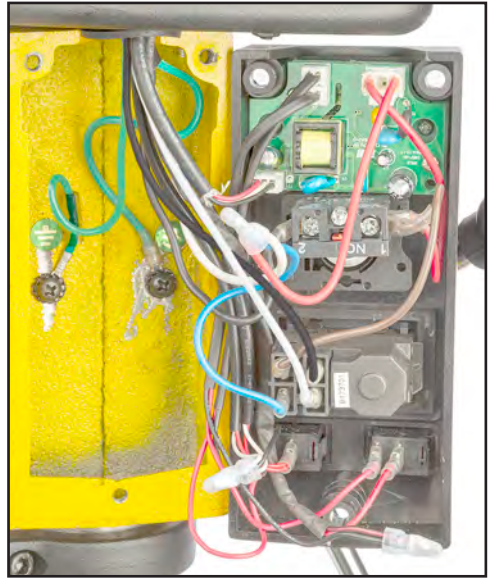


Figure 57. Control panel wiring.



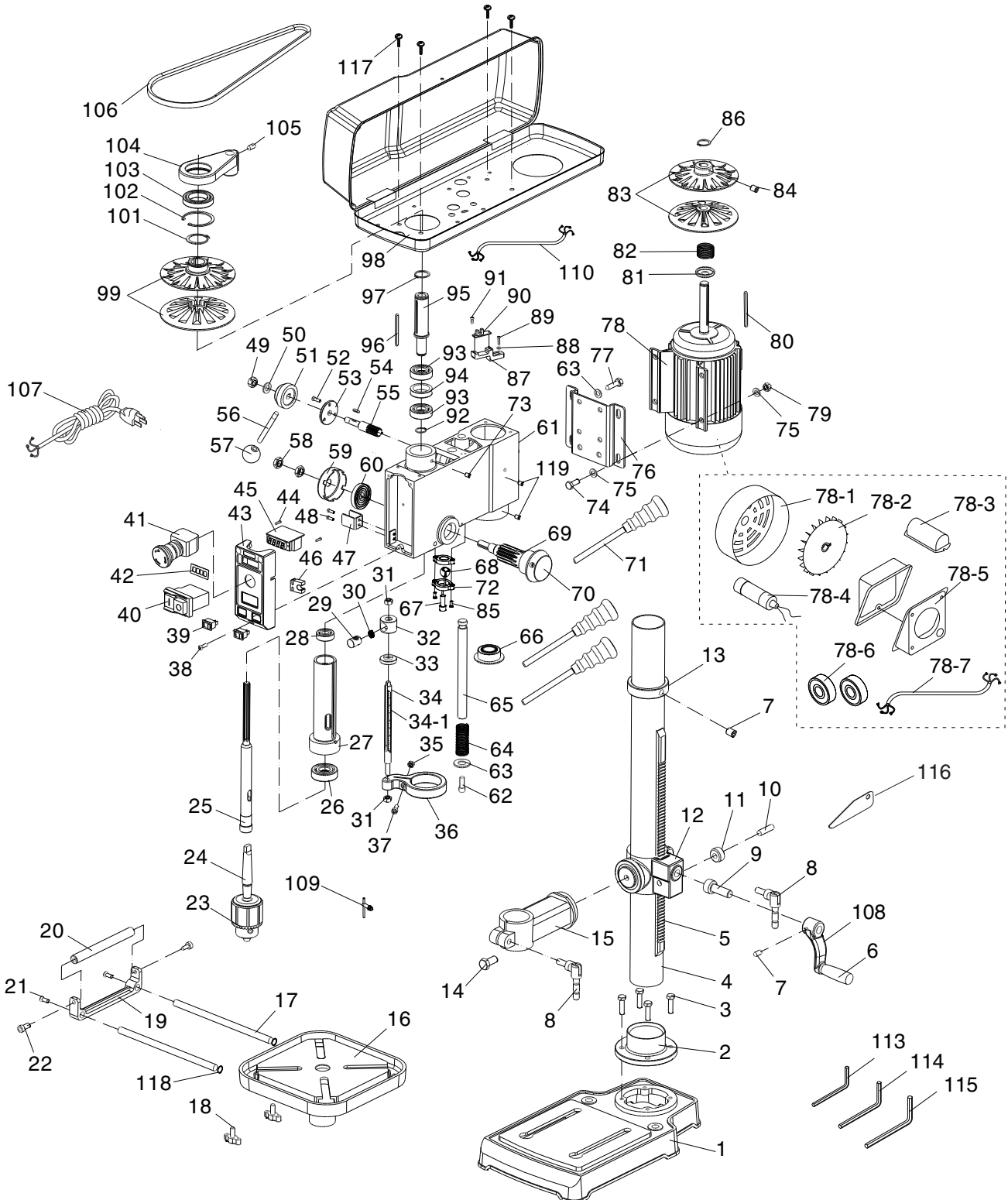
Figure 58. Speed sensor.



SECTION 9: PARTS

We do our best to stock replacement parts when possible, but we cannot guarantee that all parts shown are available for purchase. Call (800) 523-4777 or visit www.grizzly.com/parts to check for availability.

Main



Main Parts List

REF PART #	DESCRIPTION
1	PT31739001 BASE
2	PT31739002 COLUMN SEAT
3	PT31739003 HEX BOLT M8-1.25 X 20
4	PT31739004 COLUMN
5	PT31739005 RACK
6	PT31739006 REVOLVING HANDLE 20 X 75, M10-1.5 X 10
7	PT31739007 SET SCREW M6-1 X 10
8	PT31739008 LOCK HANDLE 15 X 78, M10-1.5 X 25
9	PT31739009 WORM SHAFT
10	PT31739010 WORM GEAR PIN
11	PT31739011 WORM GEAR
12	PT31739012 WORM GEAR HOUSING
13	PT31739013 COLUMN RING
14	PT31739014 HEX BOLT M12-1.75 X 25
15	PT31739015 TABLE MOUNTING ARM
16	PT31739016 TABLE
17	PT31739017 EXTENSION ROD 1/2" X 8-3/4"
18	PT31739018 KNOB BOLT M8-1.25 X 18, D36, WING
19	PT31739019 EXTENSION ROLLER BRACKET
20	PT31739020 EXTENSION ROLLER
21	PT31739021 FLAT HD CAP SCR M6-1 X 12
22	PT31739022 CAP SCREW M10-1.5 X 20
23	PT31739023 DRILL CHUCK JT3 X 1/32"-5/8" KEYLESS
24	PT31739024 DRILL CHUCK ARBOR 5/8"
25	PT31739025 SPINDLE
26	PT31739026 BALL BEARING 6204ZZ
27	PT31739027 QUILL
28	PT31739028 BALL BEARING 6201ZZ
29	PT31739029 CLAMP BOLT M12-1.75 X 2
30	PT31739030 COMPRESSION SPRING 1.2 X 6
31	PT31739031 LOCK NUT M8-1.25
32	PT31739032 QUICK-RELEASE DEPTH STOP
33	PT31739033 DEPTH STOP SUPPORT NUT
34	PT31739034 THREADED DEPTH ROD
34-1	PT31739034-1 DEPTH STOP GAUGE
35	PT31739035 HEX NUT M6-1
36	PT31739036 DEPTH STOP BRACKET
37	PT31739037 CAP SCREW M6-1 X 25
38	PT31739038 PHLP HD SCR M5-.8 X 16
39	PT31739039 ROCKER SWITCH GORBO XCK-017 10(4)A 250V
40	PT31739040 MAG ON/OFF SWITCH DKLD DZ04 10A 120V
41	PT31739041 E-STOP BUTTON LAY5-BE102 10(6)A 400V
42	PT31739042 DISPLAY SCREEN COVER
43	PT31739043 SWITCH BOX
44	PT31739044 TAP SCREW M3 X 8
45	PT31739045 DIGITAL DISPLAY DKLD CB07-6A
46	PT31739046 CHUCK KEY HOLDER
47	PT31739047 DEPTH STOP BRACKET
48	PT31739048 PHLP HD SCR M5-.8 X 12
49	PT31739049 LOCK NUT M10-1.5
50	PT31739050 FLAT WASHER 10MM
51	PT31739051 SPEED HANDLE HUB
52	PT31739052 FLAT HD SCR M5-.8 X 16
53	PT31739053 SPEED ADJUST PLATE
54	PT31739054 KEY 4 X 4 X 12 SE
55	PT31739055 SPEED CONTROL GEAR
56	PT31739056 SPEED CONTROL KNOB SHAFT
57	PT31739057 KNOB M8-1.25, D32, BALL

REF PART #	DESCRIPTION
58	PT31739058 HEX NUT M12-1.75
59	PT31739059 RETURN SPRING COVER
60	PT31739060 FLAT COIL SPRING
61	PT31739061 HEADSTOCK
62	PT31739062 CAP SCREW M8-1.25 X 12
63	PT31739063 FLAT WASHER 8MM
64	PT31739064 COMPRESSION SPRING 2 X 22 X 80
65	PT31739065 SPEED SHAFT
66	PT31739066 LED BULB 1W 3.5V
67	PT31739067 LASER DKLD 1801
68	PT31739068 LASER COVER
69	PT31739069 PINION GEAR
70	PT31739070 DOWNFEED LEVER HUB M10-1.5
71	PT31739071 KNOB BOLT M10-1.5 X 10, D40, ROUND
72	PT31739072 LASER SEAT
73	PT31739073 SET SCREW M6-1 X 10
74	PT31739074 HEX BOLT M10-1.5 X 40
75	PT31739075 FLAT WASHER 10MM
76	PT31739076 MOTOR MOUNT PLATE
77	PT31739077 HEX BOLT M8-1.25 X 16
78	PT31739078 MOTOR 1/3HP 120V 1-PH
78-1	PT31739078-1 MOTOR FAN COVER
78-2	PT31739078-2 MOTOR FAN
78-3	PT31739078-3 CAPACITOR COVER
78-4	PT31739078-4 R CAPACITOR 24M 250V 40 X 90
78-5	PT31739078-5 MOTOR JUNCTION BOX
78-6	PT31739078-6 BALL BEARING 6203ZZ
78-7	PT31739078-7 MOTOR CORD 3G 3W 39"
79	PT31739079 HEX NUT M10-1.5
80	PT31739080 KEY 4 X 4 X 80 SE
81	PT31739081 MOTOR SPRING SEAT
82	PT31739082 COMPRESSION SPRING 2 X 33 X 78
83	PT31739083 MOTOR PULLEY SET
84	PT31739084 SET SCREW M6-1 X 10
85	PT31739085 PHLP HD SCR M4-.7 X 16
86	PT31739086 EXT RETAINING RING 16MM
87	PT31739087 SPEED SENSOR MOUNT
88	PT31739088 FLAT WASHER 5MM
89	PT31739089 PHLP HD SCR M5-.8 X 20
90	PT31739090 SPEED SENSOR DKLD CB07-5C
91	PT31739091 TAP SCREW M2.9 X 6
92	PT31739092 EXT RETAINING RING 17MM
93	PT31739093 BALL BEARING 6203ZZ
94	PT31739094 BUSHING 39 X 27 X 10
95	PT31739095 SPINDLE PULLEY SHAFT
96	PT31739096 KEY 4 X 4 X 65 SE
97	PT31739097 EXT RETAINING RING 24MM
98	PT31739098 BELT GUARD
99	PT31739099 SPINDLE PULLEY SET
101	PT31739101 EXT RETAINING RING 35MM
102	PT31739102 INT RETAINING RING 50MM
103	PT31739103 BALL BEARING 61907-ZZ
104	PT31739104 SPEED SEAT
105	PT31739105 SET SCREW M10-1.5 X 20
106	PT31739106 POLY V-BELT AX35
107	PT31739107 POWER CORD 18G 3W 39.5" 5-15P
108	PT31739108 LEVER

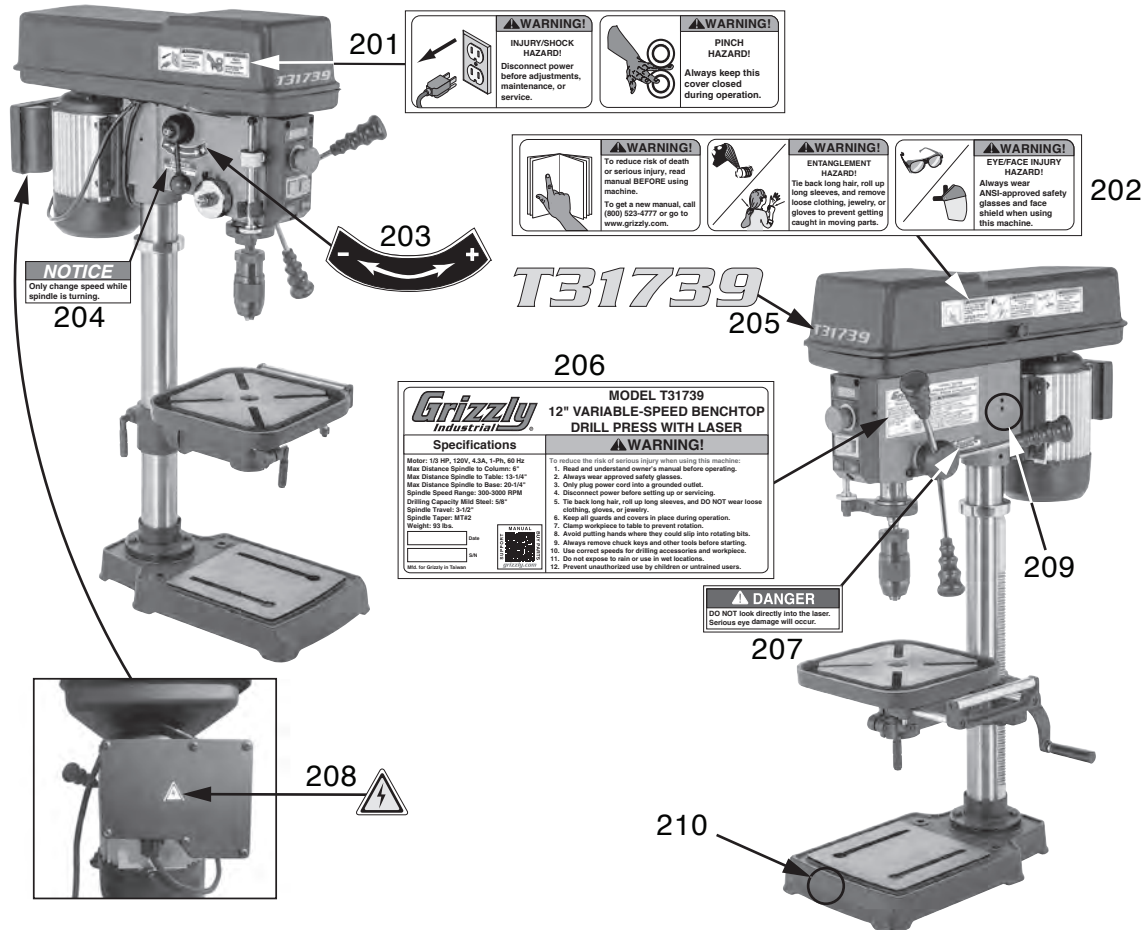


Main Parts List (Cont.)

REF	PART #	DESCRIPTION
110	PT31739110	SPEED SENSOR CORD 24G 3W 10"
113	PT31739113	HEX WRENCH 3MM
114	PT31739114	HEX WRENCH 4MM
115	PT31739115	HEX WRENCH 5MM

REF	PART #	DESCRIPTION
116	PT31739116	DRIFT KEY
117	PT31739117	FLANGE SCREW M6-1 X 12
118	PT31739118	EXT RETAINING RING 12MM
119	PT31739119	SET SCREW M8-1.25 X 12

Labels & Cosmetics



REF	PART #	DESCRIPTION
201	PT31739201	SHOCK/PINCH HAZARD LABEL
202	PT31739202	MANUAL/ENTANGLEMENT/EYE-FACE LABEL
203	PT31739203	SPEED ADJUSTMENT LABEL
204	PT31739204	SPEED NOTICE LABEL
205	PT31739205	MODEL NUMBER LABEL

REF	PART #	DESCRIPTION
206	PT31739206	MACHINE ID LABEL
207	PT31739207	LASER LABEL
208	PT31739208	ELECTRICITY GREEN
209	PT31739209	TOUCH-UP PAINT GRIZZLY GREEN
210	PT31739210	TOUCH-UP PAINT GRIZZLY BLACK

WARNING

Safety labels help reduce the risk of serious injury caused by machine hazards. If any label comes off or becomes unreadable, the owner of this machine **MUST** replace it in the original location before resuming operations. For replacements, contact (800) 523-4777 or www.grizzly.com.



WARRANTY & RETURNS

Grizzly Industrial, Inc. warrants every product it sells for a period of **1 year** to the original purchaser from the date of purchase. This warranty does not apply to defects due directly or indirectly to misuse, abuse, negligence, accidents, repairs or alterations or lack of maintenance. This is Grizzly's sole written warranty and any and all warranties that may be implied by law, including any merchantability or fitness, for any particular purpose, are hereby limited to the duration of this written warranty. We do not warrant or represent that the merchandise complies with the provisions of any law or acts unless the manufacturer so warrants. In no event shall Grizzly's liability under this warranty exceed the purchase price paid for the product and any legal actions brought against Grizzly shall be tried in the State of Washington, County of Whatcom.

We shall in no event be liable for death, injuries to persons or property or for incidental, contingent, special, or consequential damages arising from the use of our products.

The manufacturers reserve the right to change specifications at any time because they constantly strive to achieve better quality equipment. We make every effort to ensure that our products meet high quality and durability standards and we hope you never need to use this warranty.

In the event you need to use this warranty, contact us by mail or phone and give us all the details. We will then issue you a "Return Number," which must be clearly posted on the outside as well as the inside of the carton. We will not accept any item back without this number. Proof of purchase must accompany the merchandise.

Please feel free to write or call us if you have any questions about the machine or the manual.

Thank you again for your business and continued support. We hope to serve you again soon.

To take advantage of this warranty, you must register it at <https://www.grizzly.com/secureforms/warranty-card>, or you can scan the QR code below to be automatically directed to our warranty registration page. Enter all applicable information for the product.



grizzly.com[®]

TOOL WEBSITE

Buy Direct and Save with Grizzly[®] – Trusted, Proven and a Great Value!
~Since 1983~

*Visit Our Website Today For
Current Specials!*

**ORDER
24 HOURS A DAY!
1-800-523-4777**

