

READ THIS FIRST



For questions or help with this product contact Tech Support at (570) 546-9663 or techsupport@grizzly.com

Model G0857/G0858

*****IMPORTANT UPDATE*****

For Machines Mfd. Since 11/20
and Owner's Manual Revised 06/20

The following changes were recently made since the owner's manual was printed:

- Infeed table lock warning added to **Adjusting Infeed Table Height** on **Page 32**.
- Infeed table lock warning label added to **Labels & Cosmetics** on **Page 60**.

Aside from this information, all other content in the owner's manual applies and **MUST** be read and understood for your own safety. **IMPORTANT: Keep this update with the owner's manual for future reference.**

For questions or help, contact our Tech Support at (570) 546-9663 or techsupport@grizzly.com.

Adjusting Infeed Table Height

To adjust the infeed table height, loosen the infeed table lock (see **Figure 24**), move the infeed table adjustment lever (see **Figure 24**) up or down to raise or lower the table, and then tighten the lock to secure the setting.

To lower the infeed table below the $\frac{1}{8}$ " depth stop, pull the release knob (see **Figure 24**), adjust the table height, and then tighten the lock to secure the setting.

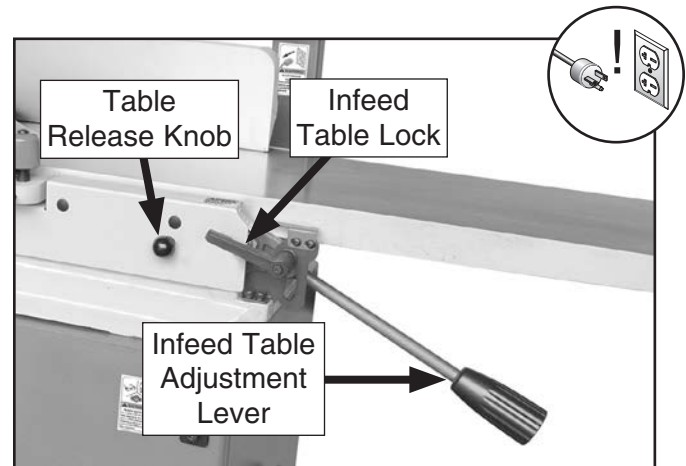
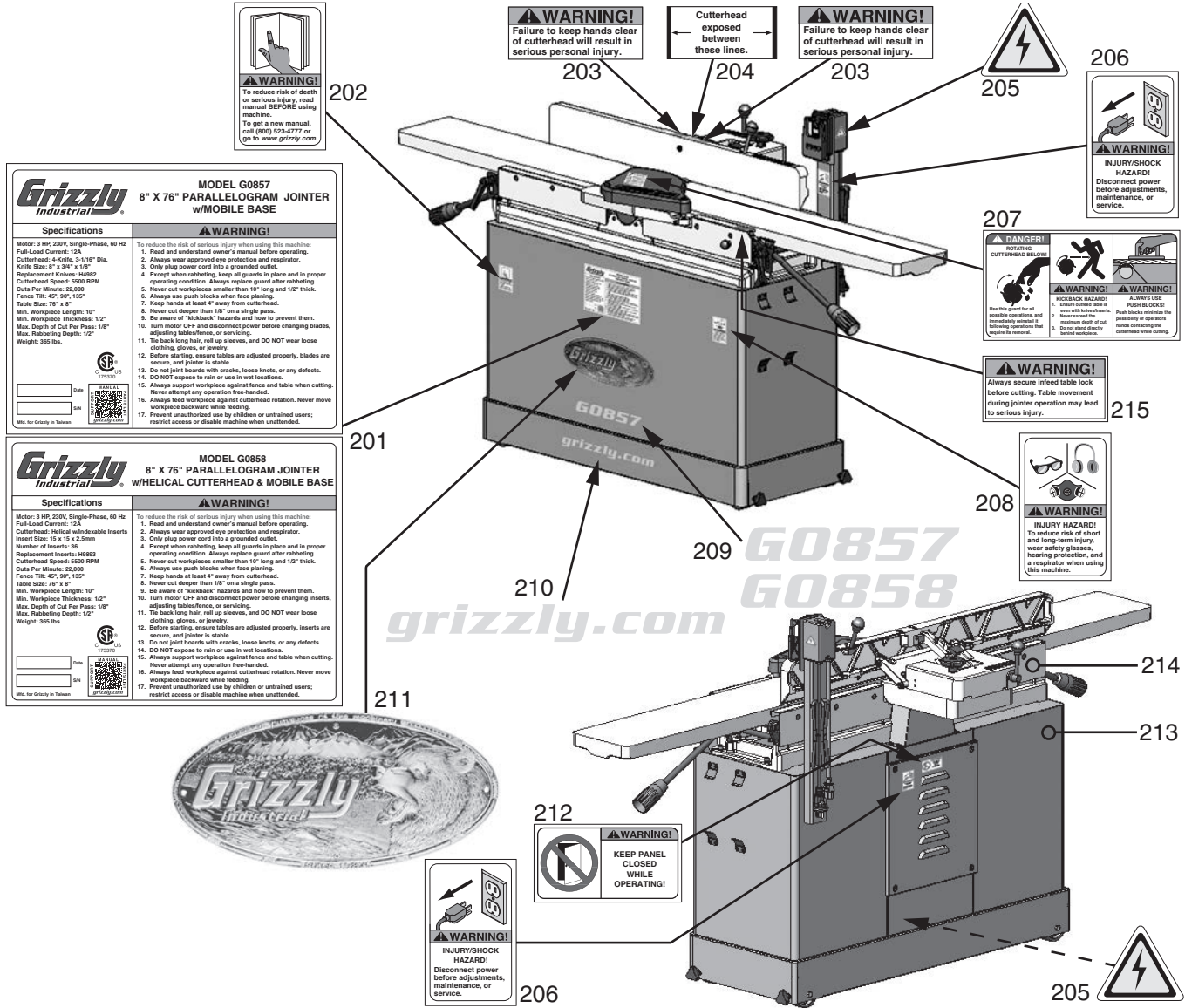


Figure 24. Infeed table controls.

⚠WARNING

Always secure infeed table lock before cutting. Table movement during jointer operation may lead to serious injury.

Labels & Cosmetics



REF PART #	DESCRIPTION
201	P0857201 MACHINE ID LABEL (G0857)
201	P0858201 MACHINE ID LABEL (G0858)
202	P0857202 READ MANUAL LABEL
203	P0857203 CUTTERHEAD WARNING LABEL
204	P0857204 CUTTERHEAD EXPOSED LABEL
205	P0857205 ELECTRICITY LABEL
206	P0857206 DISCONNECT POWER LABEL
207	P0857207 CUTTERHEAD GUARD LABEL
208	P0857208 EYES EARS LUNGS WARNING LABEL

REF PART #	DESCRIPTION
209	P0857209 MODEL NUMBER LABEL (G0857)
209	P0858209 MODEL NUMBER LABEL (G0858)
210	P0857210 GRIZZLY.COM LABEL
211	P0857211 GRIZZLY NAMEPLATE-SMALL
212	P0857212 PANEL CLOSED WARNING LABEL
213	P0857213 TOUCH-UP PAINT, GRIZZLY GREEN
214	P0857214 TOUCH-UP PAINT, GREY PUTTY
215	P0857215 INFED TABLE LOCK WARNING LABEL

! WARNING

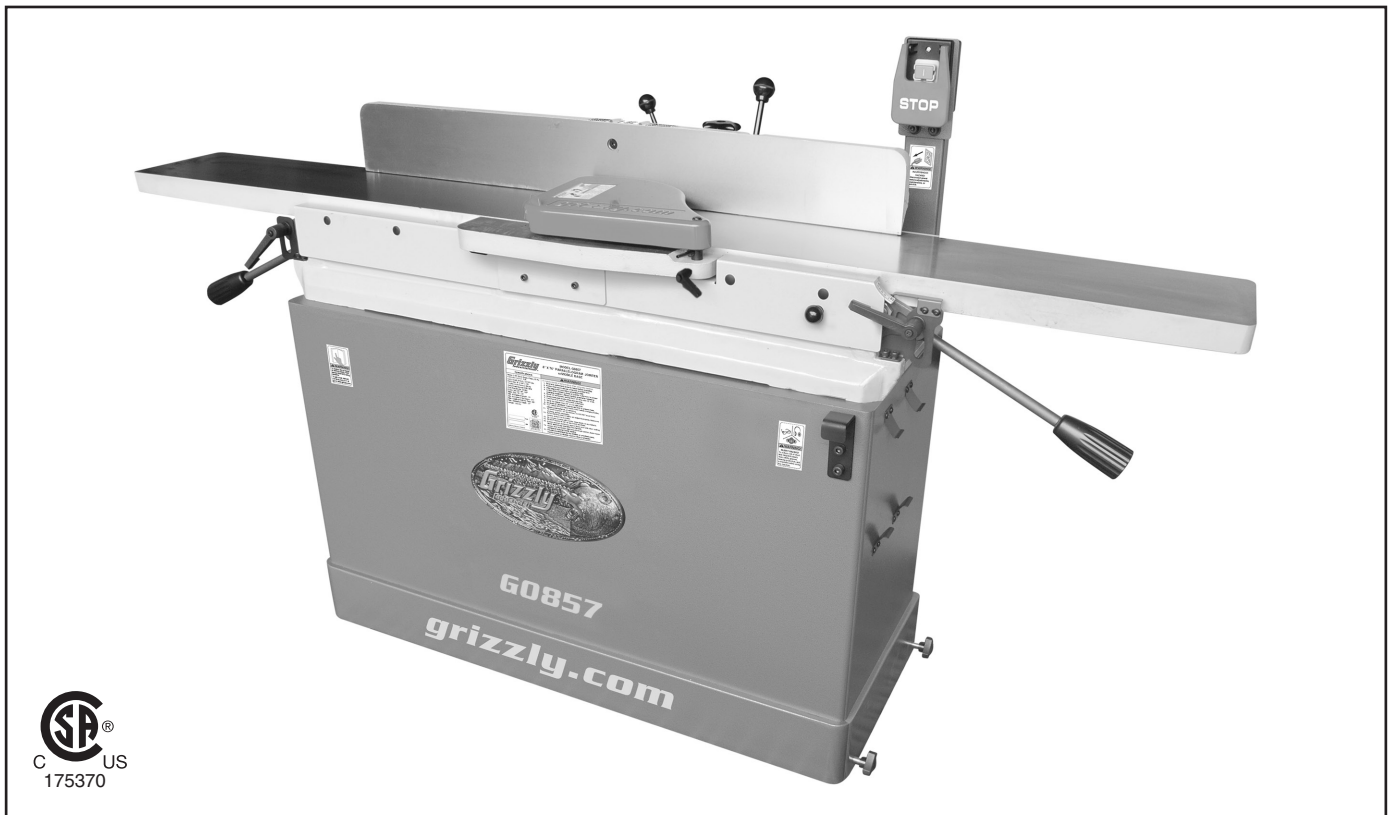
Safety labels help reduce the risk of serious injury caused by machine hazards. If any label comes off or becomes unreadable, the owner of this machine **MUST** replace it in the original location before resuming operations. For replacements, contact (800) 523-4777 or www.grizzly.com.



Grizzly **Industrial, Inc.**®

MODEL G0857/G0858 **8" X 76" PARALLELOGRAM** **JOINTER w/MOBILE BASE** **OWNER'S MANUAL**

(For models manufactured since 02/20)



CSA
C US
175370

COPYRIGHT © OCTOBER, 2018 BY GRIZZLY INDUSTRIAL, INC. REVISED JUNE, 2020 (MN)
**WARNING: NO PORTION OF THIS MANUAL MAY BE REPRODUCED IN ANY SHAPE
OR FORM WITHOUT THE WRITTEN APPROVAL OF GRIZZLY INDUSTRIAL, INC.**

#ES19675 PRINTED IN TAIWAN

V2.06.20



WARNING!

This manual provides critical safety instructions on the proper setup, operation, maintenance, and service of this machine/tool. Save this document, refer to it often, and use it to instruct other operators.

Failure to read, understand and follow the instructions in this manual may result in fire or serious personal injury—including amputation, electrocution, or death.

The owner of this machine/tool is solely responsible for its safe use. This responsibility includes but is not limited to proper installation in a safe environment, personnel training and usage authorization, proper inspection and maintenance, manual availability and comprehension, application of safety devices, cutting/sanding/grinding tool integrity, and the usage of personal protective equipment.

The manufacturer will not be held liable for injury or property damage from negligence, improper training, machine modifications or misuse.



WARNING!

Some dust created by power sanding, sawing, grinding, drilling, and other construction activities contains chemicals known to the State of California to cause cancer, birth defects or other reproductive harm. Some examples of these chemicals are:

- **Lead from lead-based paints.**
- **Crystalline silica from bricks, cement and other masonry products.**
- **Arsenic and chromium from chemically-treated lumber.**

Your risk from these exposures varies, depending on how often you do this type of work. To reduce your exposure to these chemicals: Work in a well ventilated area, and work with approved safety equipment, such as those dust masks that are specially designed to filter out microscopic particles.

Table of Contents

INTRODUCTION	2	SECTION 5: ACCESSORIES	34
Contact Info.....	2	SECTION 6: MAINTENANCE	35
Machine Differences.....	2	Schedule.....	35
Manual Accuracy.....	2	Cleaning & Protecting.....	35
Identification.....	3	Lubrication.....	36
Controls & Components.....	4	SECTION 7: SERVICE	37
Machine Data Sheet (G0857).....	6	Troubleshooting.....	37
Machine Data Sheet (G0858).....	8	Setting/Replacing Knives (G0857).....	39
SECTION 1: SAFETY	10	Rotating/Replacing Helical	
Safety Instructions for Machinery.....	10	Cutterhead Inserts (G0858).....	42
Additional Safety for Jointers.....	12	Checking/Adjusting Table Parallelism.....	43
SECTION 2: POWER SUPPLY	13	Setting Outfeed Table Height.....	46
SECTION 3: SETUP	15	Calibrating 1/8" Infeed Table Stop.....	47
Needed for Setup.....	15	Setting Fence Stops.....	48
Unpacking.....	15	Calibrating Depth-of-Cut Scale.....	50
Inventory.....	16	Tensioning/Replacing Belt.....	51
Hardware Recognition Chart.....	17	Checking/Aligning Pulleys.....	52
Cleanup.....	18	Checking/Adjusting Cutterhead Guard.....	53
Site Considerations.....	19	SECTION 8: WIRING	54
Assembly.....	20	Wiring Safety Instructions.....	54
Knife-Setting Jig (G0857).....	22	Wiring Diagram.....	55
Dust Collection.....	22	SECTION 9: PARTS	56
Test Run.....	23	Tables, Fence & Cutterhead.....	56
Tightening Belt.....	23	Base, Stand & Motor.....	57
Disabling & Locking Switch.....	24	Labels & Cosmetics.....	60
SECTION 4: OPERATIONS	25	WARRANTY & RETURNS	61
Operation Overview.....	25		
Stock Inspection & Requirements.....	26		
Squaring Stock.....	27		
Surface Planing.....	28		
Edge Jointing.....	29		
Bevel Cutting.....	30		
Rabbet Cutting.....	31		
Setting Depth of Cut.....	32		

WARNING

Like all machinery there is potential danger when operating this machine. Accidents are frequently caused by lack of familiarity or failure to pay attention. Use this machine with respect and caution to decrease the risk of operator injury. If normal safety precautions are overlooked or ignored, serious personal injury may occur.

WARNING

No list of safety guidelines can be complete. Every shop environment is different. Always consider safety first, as it applies to your individual working conditions. Use this and other machinery with caution and respect. Failure to do so could result in serious personal injury, damage to equipment, or poor work results.

INTRODUCTION

Contact Info

We stand behind our machines! If you have questions or need help, contact us with the information below. Before contacting, make sure you get the **serial number** and **manufacture date** from the machine ID label. This will help us help you faster.

Grizzly Technical Support
1815 W. Battlefield
Springfield, MO 65807
Phone: (570) 546-9663
Email: techsupport@grizzly.com

We want your feedback on this manual. What did you like about it? Where could it be improved? Please take a few minutes to give us feedback.

Grizzly Documentation Manager
P.O. Box 2069
Bellingham, WA 98227-2069
Email: manuals@grizzly.com

Machine Differences

Models G0857 and G0858 are 3 HP, 8" x 76" jointers with the following differences:

- **Model G0857** has a 4-knife cutterhead with high-speed steel knives.
- **Model G0858** has a helical cutterhead with 4 spirals and 36 indexable carbide inserts.


Manual Accuracy

We are proud to provide a high-quality owner's manual with your new machine!

We made every effort to be exact with the instructions, specifications, drawings, and photographs in this manual. Sometimes we make mistakes, but our policy of continuous improvement also means that **sometimes the machine you receive is slightly different than shown in the manual.**

If you find this to be the case, and the difference between the manual and machine leaves you confused or unsure about something, check our website for an updated version. We post current manuals and manual updates for free on our website at **www.grizzly.com**.

Alternatively, you can call our Technical Support for help. Before calling, make sure you write down the **Manufacture Date** and **Serial Number** from the machine ID label (see below). This information is required for us to provide proper tech support, and it helps us determine if updated documentation is available for your machine.

		MODEL GXXXX MACHINE NAME	
SPECIFICATIONS		▲ WARNING!	
Motor:		To reduce risk of serious injury when using this machine:	
Specification:		1. Read manual before operation.	
Specification:		2. Wear safety glasses and respirator.	
Specification:		3. Make sure safety guards are properly adjusted/setup and	
Specification:		4. Make sure the motor has stopped and disconnect power before adjustments, maintenance, or service.	
Weight:		5. DO NOT expose to rain or dampness.	
		6. DO NOT modify this machine in any way.	
		7.	
		8.	
		9. Do not use while under the influence of drugs or alcohol.	
		10. Maintain machine carefully to prevent accidents.	
Manufactured for Grizzly in Taiwan			

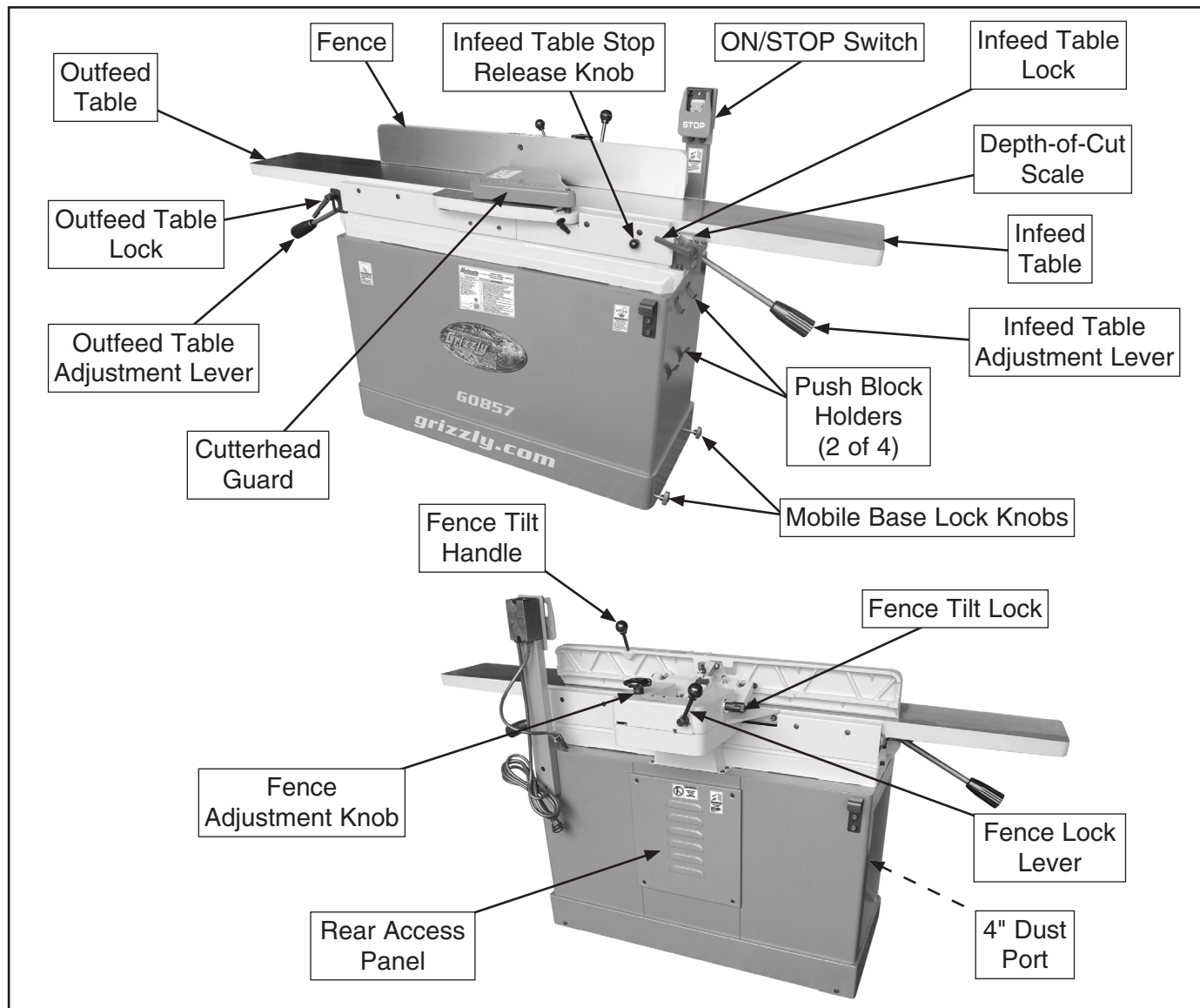
Manufacture Date

Serial Number



Identification

Become familiar with the names and locations of the controls and features shown below to better understand the instructions in this manual.



⚠️ WARNING

For Your Own Safety Read Instruction Manual Before Operating Jointer

- a) Wear eye protection.
- b) Always keep cutterhead and drive guards in place and in proper operating condition. If removed, **ALWAYS** replace cutterhead guard immediately after rabbeting operations.
- c) Never make cuts deeper than $\frac{1}{8}$ " per pass.
- d) Always use hold-down or push blocks when jointing material narrower than 3" or planing material thinner than 3".
- e) Never perform jointing, planing, or rabbeting cuts on pieces shorter than 10" in length.



Controls & Components



Refer to **Figures 1–4** and the following descriptions to become familiar with the basic controls and components of this machine. Understanding these items and how they work will help you understand the rest of the manual and stay safe when operating this machine.

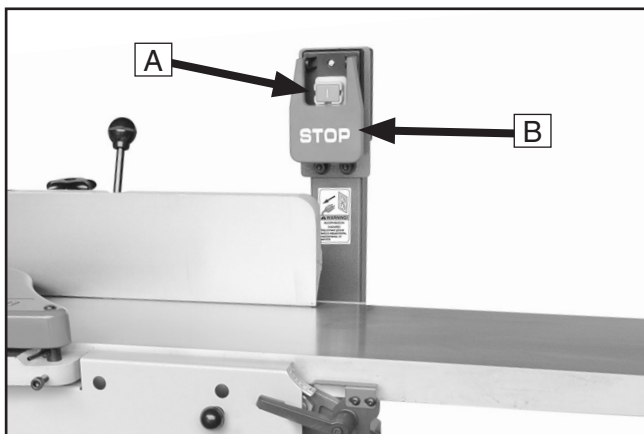


Figure 1. ON/STOP controls.

- A. ON Button:** Push to start motor. Insert padlock through button to disable (padlock not included).
- B. STOP Paddle:** Push to stop motor.

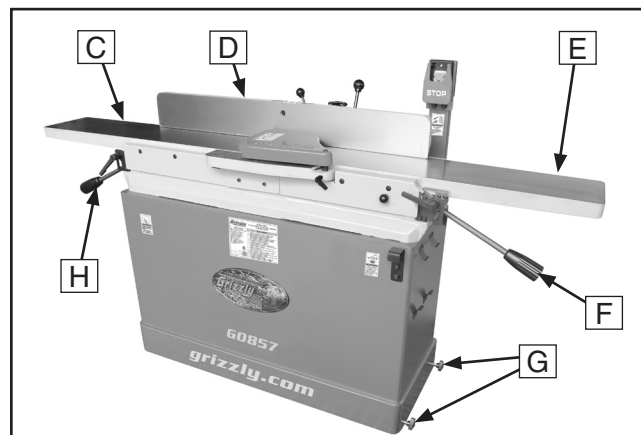


Figure 2. Table controls and components.

- C. Outfeed Table:** Supports workpiece after it passes over cutterhead. For optimum results, outfeed table must be properly adjusted even with highest point of cutterhead knives/inserts.
- D. Fence:** Supports workpiece laterally as it moves across cutterhead; determines angle of cut when edge or bevel jointing.
- E. Infeed Table:** Supports workpiece before it reaches cutterhead. Position of infeed table relative to cutterhead knives/inserts determines depth of cut.
- F. Infeed Table Adjustment Lever:** Move up or down to adjust position of infeed table (when infeed table lock is loosened).
- G. Mobile Base Lock Knobs:** Tighten to secure jointer in position; loosen to move jointer.
- H. Outfeed Table Adjustment Lever:** Move up or down to adjust position of outfeed table (when outfeed table lock is loosened). Only used when setting outfeed table even with cutterhead knives/inserts.



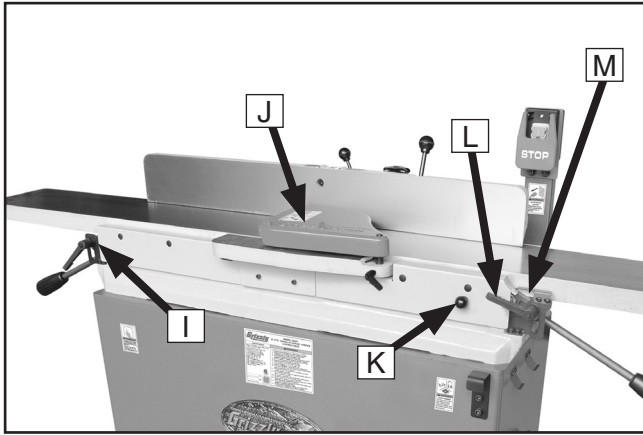


Figure 3. Table locks, cutterhead guard, and depth-of-cut scale.

- I. Outfeed Table Lock:** Tighten to secure outfeed table position; loosen for table adjustment.
- J. Cutterhead Guard:** Covers cutterhead until workpiece pushes guard out of the way during operation. When workpiece leaves cutterhead, guard springs back to its starting position.
- K. Table Release Knob:** Pull out to lower infeed table more than $\frac{1}{8}$ ". Infeed table is factory-set to automatically stop at $\frac{1}{8}$ ".
- L. Infeed Table Lock:** Tighten to secure infeed table position; loosen for table adjustment.
- M. Depth-of-Cut Scale:** Shows depth of cut (per pass).

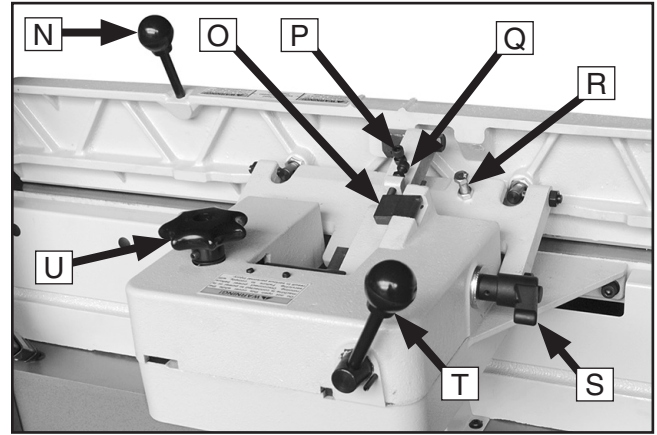


Figure 4. Fence controls and components.

- N. Fence Tilt Handle:** Use to tilt fence throughout its range of motion from 45° inward to 45° outward (135°). (Fence tilt lock must be loosened first.)
 - O. 90° Stop Block:** Swivels to engage with 90° stop bolt. When engaged, stops fence at 90° . When disengaged, allows bevel cuts greater than 90° .
 - P. 45° Inward Fence Stop:** Stops fence at 45° inward.
 - Q. 90° Fence Stop:** Stops fence at 90° .
 - R. 45° Outward Fence Stop:** Stops fence at 45° outward (135°).
 - S. Fence Tilt Lock:** Tighten to secure fence at any position in available tilt range.
- IMPORTANT:** Always tighten tilt lock before starting machine—even when fence is resting against stops.
- T. Fence Lock Lever:** Tighten to secure fence position along width of tables; loosen for fence adjustment.
 - U. Fence Adjustment Knob:** Rotate to move fence position forward/backward. (Fence lock lever must be loosened first.)





MACHINE DATA SHEET

Customer Service #: (570) 546-9663 · To Order Call: (800) 523-4777 · Fax #: (800) 438-5901

MODEL G0857 8" X 76" PARALLELOGRAM JOINTER WITH MOBILE BASE

Product Dimensions:

Weight..... 365 lbs.
 Width (side-to-side) x Depth (front-to-back) x Height..... 76 x 25 x 41-1/2 in.
 Footprint (Length x Width)..... 40 x 16 in.

Shipping Dimensions:

Type..... Wood Crate
 Content..... Machine
 Weight..... 484 lbs.
 Length x Width x Height..... 85 x 26 x 43 in.
 Must Ship Upright..... Yes

Electrical:

Power Requirement..... 230V, Single-Phase, 60 Hz
 Motor Size..... 3 HP
 Full-Load Current Rating..... 12A
 Minimum Circuit Size..... 20A
 Connection Type..... Cord & Plug
 Power Cord Included..... Yes
 Power Cord Length..... 6 ft.
 Power Cord Gauge..... 14 AWG
 Plug Included..... Yes
 Included Plug Type..... 6-20
 Switch Type..... Push Button Magnetic w/Large Shut-Off Paddle

Motors:

Main

Horsepower..... 3 HP
 Phase..... Single-Phase
 Amps..... 12A
 Speed..... 3450 RPM
 Type..... TEFC Capacitor-Start Induction
 Power Transfer Belt
 Bearings..... Sealed & Permanently Lubricated
 Centrifugal Switch/Contacts Type..... External

Main Specifications:

Main Specifications

Jointer Size..... 8 in.
 Bevel Jointing..... 0 - 45 deg. L/R
 Maximum Width of Cut..... 8 in.
 Maximum Depth of Cut..... 1/8 in.
 Minimum Workpiece Length..... 10 in.
 Minimum Workpiece Thickness..... 1/2 in.
 Maximum Rabbeting Depth..... 1/2 in.
 Number of Cuts Per Minute..... 22,000



Fence Information

Fence Length..... 38 in.
Fence Width..... 1-1/4 in.
Fence Height..... 4-1/2 in.
Fence Stops..... 45, 90, 135 deg.

Cutterhead Information

Cutterhead Type..... 4 Knife
Cutterhead Diameter..... 3-1/16 in.
Cutterhead Speed..... 5500 RPM

Knife Information

Number of Knives..... 4
Knife Type..... HSS, Single-Sided
Knife Length..... 8 in.
Knife Width..... 3/4 in.
Knife Thickness..... 1/8 in.
Knife Adjustment..... Jack Screws or Springs

Table Information

Table Length..... 76 in.
Table Width..... 8 in.
Table Thickness..... 1-3/4 in.
Floor to Table Height..... 31-1/4 in.
Table Adjustment Type..... Lever Action
Table Movement Type..... Parallelogram

Construction

Body Assembly..... Cast Iron
Cabinet..... Sheet Metal
Fence Assembly..... Precision-Ground Cast Iron
Guard..... Die-Cast Aluminum
Table..... Precision-Ground Cast Iron
Paint Type/Finish..... Powder Coated

Other Information

Number of Dust Ports..... 1
Dust Port Size..... 4 in.
Mobile Base..... Built-In

Other Specifications:

Country of Origin Taiwan
Warranty 1 Year
Approximate Assembly & Setup Time 1 Hour
Serial Number Location Machine ID Label
ISO 9001 Factory Yes
Certified by a Nationally Recognized Testing Laboratory (NRTL) Yes





MACHINE DATA SHEET

Customer Service #: (570) 546-9663 · To Order Call: (800) 523-4777 · Fax #: (800) 438-5901

MODEL G0858 8" X 76" PARALLELOGRAM JOINTER WITH HELICAL CUTTERHEAD & MOBILE BASE

Product Dimensions:

Weight..... 365 lbs.
 Width (side-to-side) x Depth (front-to-back) x Height..... 76 x 25 x 41-1/2 in.
 Footprint (Length x Width)..... 40 x 16 in.

Shipping Dimensions:

Type..... Wood Crate
 Content..... Machine
 Weight..... 487 lbs.
 Length x Width x Height..... 85 x 26 x 43 in.
 Must Ship Upright..... Yes

Electrical:

Power Requirement..... 230V, Single-Phase, 60 Hz
 Motor Size..... 3 HP
 Full-Load Current Rating..... 12A
 Minimum Circuit Size..... 20A
 Connection Type..... Cord & Plug
 Power Cord Included..... Yes
 Power Cord Length..... 6 ft.
 Power Cord Gauge..... 14 AWG
 Plug Included..... Yes
 Included Plug Type..... 6-20
 Switch Type..... Push Button Magnetic w/Large Shut-Off Paddle

Motors:

Main

Horsepower..... 3 HP
 Phase..... Single-Phase
 Amps..... 12A
 Speed..... 3450 RPM
 Type..... TEFC Capacitor-Start Induction
 Power Transfer..... Belt
 Bearings..... Sealed & Permanently Lubricated
 Centrifugal Switch/Contacts Type..... External

Main Specifications:

Main Specifications

Jointer Size..... 8 in.
 Bevel Jointing..... 0 - 45 deg. L/R
 Maximum Width of Cut..... 8 in.
 Maximum Depth of Cut..... 1/8 in.
 Minimum Workpiece Length..... 10 in.
 Minimum Workpiece Thickness..... 1/2 in.
 Maximum Rabbeting Depth..... 1/2 in.
 Number of Cuts Per Minute..... 22,000



Fence Information

Fence Length..... 38 in.
Fence Width..... 1-1/4 in.
Fence Height..... 4-1/2 in.
Fence Stops..... 45, 90, 135 deg.

Cutterhead Information

Cutterhead Type..... Helical
Cutterhead Diameter..... 3-1/16 in.
Number of Cutter Spirals..... 4
Number of Indexable Cutters..... 36
Cutterhead Speed..... 5500 RPM

Cutter Insert Information

Cutter Insert Type..... Indexable Carbide
Cutter Insert Length..... 15 mm
Cutter Insert Width..... 15 mm
Cutter Insert Thickness..... 2.5 mm

Table Information

Table Length..... 76 in.
Table Width..... 8 in.
Table Thickness..... 1-3/4 in.
Floor to Table Height..... 31-1/4 in.
Table Adjustment Type..... Lever Action
Table Movement Type..... Parallelogram

Construction

Body Assembly..... Cast Iron
Cabinet..... Sheet Metal
Fence Assembly..... Precision-Ground Cast Iron
Guard..... Die-Cast Aluminum
Table..... Precision-Ground Cast Iron
Paint Type/Finish..... Powder Coated

Other Information

Number of Dust Ports..... 1
Dust Port Size..... 4 in.
Mobile Base..... Built-In

Other Specifications:

Country of Origin Taiwan
Warranty 1 Year
Approximate Assembly & Setup Time 1 Hour
Serial Number Location Machine ID Label
ISO 9001 Factory Yes
Certified by a Nationally Recognized Testing Laboratory (NRTL) Yes



SECTION 1: SAFETY

For Your Own Safety, Read Instruction Manual Before Operating This Machine

The purpose of safety symbols is to attract your attention to possible hazardous conditions. This manual uses a series of symbols and signal words intended to convey the level of importance of the safety messages. The progression of symbols is described below. Remember that safety messages by themselves do not eliminate danger and are not a substitute for proper accident prevention measures. Always use common sense and good judgment.



Indicates an imminently hazardous situation which, if not avoided, **WILL** result in death or serious injury.



Indicates a potentially hazardous situation which, if not avoided, **COULD** result in death or serious injury.



Indicates a potentially hazardous situation which, if not avoided, **MAY** result in minor or moderate injury. It may also be used to alert against unsafe practices.

NOTICE

Alerts the user to useful information about proper operation of the machine to avoid machine damage.

Safety Instructions for Machinery

WARNING

OWNER'S MANUAL. Read and understand this owner's manual **BEFORE** using machine.

TRAINED OPERATORS ONLY. Untrained operators have a higher risk of being hurt or killed. Only allow trained/supervised people to use this machine. When machine is not being used, disconnect power, remove switch keys, or lock-out machine to prevent unauthorized use—especially around children. Make your workshop kid proof!

DANGEROUS ENVIRONMENTS. Do not use machinery in areas that are wet, cluttered, or have poor lighting. Operating machinery in these areas greatly increases the risk of accidents and injury.

MENTAL ALERTNESS REQUIRED. Full mental alertness is required for safe operation of machinery. Never operate under the influence of drugs or alcohol, when tired, or when distracted.

ELECTRICAL EQUIPMENT INJURY RISKS. You can be shocked, burned, or killed by touching live electrical components or improperly grounded machinery. To reduce this risk, only allow qualified service personnel to do electrical installation or repair work, and always disconnect power before accessing or exposing electrical equipment.

DISCONNECT POWER FIRST. Always disconnect machine from power supply **BEFORE** making adjustments, changing tooling, or servicing machine. This prevents an injury risk from unintended startup or contact with live electrical components.

EYE PROTECTION. Always wear ANSI-approved safety glasses or a face shield when operating or observing machinery to reduce the risk of eye injury or blindness from flying particles. Everyday eyeglasses are **NOT** approved safety glasses.



WARNING

WEARING PROPER APPAREL. Do not wear clothing, apparel or jewelry that can become entangled in moving parts. Always tie back or cover long hair. Wear non-slip footwear to reduce risk of slipping and losing control or accidentally contacting cutting tool or moving parts.

HAZARDOUS DUST. Dust created by machinery operations may cause cancer, birth defects, or long-term respiratory damage. Be aware of dust hazards associated with each workpiece material. Always wear a NIOSH-approved respirator to reduce your risk.

HEARING PROTECTION. Always wear hearing protection when operating or observing loud machinery. Extended exposure to this noise without hearing protection can cause permanent hearing loss.

REMOVE ADJUSTING TOOLS. Tools left on machinery can become dangerous projectiles upon startup. Never leave chuck keys, wrenches, or any other tools on machine. Always verify removal before starting!

USE CORRECT TOOL FOR THE JOB. Only use this tool for its intended purpose—do not force it or an attachment to do a job for which it was not designed. Never make unapproved modifications—modifying tool or using it differently than intended may result in malfunction or mechanical failure that can lead to personal injury or death!

AWKWARD POSITIONS. Keep proper footing and balance at all times when operating machine. Do not overreach! Avoid awkward hand positions that make workpiece control difficult or increase the risk of accidental injury.

CHILDREN & BYSTANDERS. Keep children and bystanders at a safe distance from the work area. Stop using machine if they become a distraction.

GUARDS & COVERS. Guards and covers reduce accidental contact with moving parts or flying debris. Make sure they are properly installed, undamaged, and working correctly **BEFORE** operating machine.

FORCING MACHINERY. Do not force machine. It will do the job safer and better at the rate for which it was designed.

NEVER STAND ON MACHINE. Serious injury may occur if machine is tipped or if the cutting tool is unintentionally contacted.

STABLE MACHINE. Unexpected movement during operation greatly increases risk of injury or loss of control. Before starting, verify machine is stable and mobile base (if used) is locked.

USE RECOMMENDED ACCESSORIES. Consult this owner's manual or the manufacturer for recommended accessories. Using improper accessories will increase the risk of serious injury.

UNATTENDED OPERATION. To reduce the risk of accidental injury, turn machine **OFF** and ensure all moving parts completely stop before walking away. Never leave machine running while unattended.

MAINTAIN WITH CARE. Follow all maintenance instructions and lubrication schedules to keep machine in good working condition. A machine that is improperly maintained could malfunction, leading to serious personal injury or death.

DAMAGED PARTS. Regularly inspect machine for damaged, loose, or mis-adjusted parts—or any condition that could affect safe operation. Immediately repair/replace **BEFORE** operating machine. For your own safety, **DO NOT** operate machine with damaged parts!

MAINTAIN POWER CORDS. When disconnecting cord-connected machines from power, grab and pull the plug—**NOT** the cord. Pulling the cord may damage the wires inside. Do not handle cord/plug with wet hands. Avoid cord damage by keeping it away from heated surfaces, high traffic areas, harsh chemicals, and wet/damp locations.

EXPERIENCING DIFFICULTIES. If at any time you experience difficulties performing the intended operation, stop using the machine! Contact our Technical Support at (570) 546-9663.



Additional Safety for Jointers

WARNING

Serious cuts, amputation, entanglement, or death can occur from contact with rotating cutterhead or other moving components! Flying chips from cutting operations can cause eye injuries or blindness. Workpieces or inserts/knives thrown by cutterhead (kickback) can strike nearby operator or bystanders with deadly force. To reduce the risk of serious personal injury from these hazards, operator and bystanders **MUST** completely heed the hazards and warnings below.

KICKBACK. Occurs when workpiece is ejected from machine at a high rate of speed. Kickback injuries occur from getting struck by workpiece or hands being pulled into cutterhead. To reduce the risk of kickback, only use proper workpieces, safe feeding techniques, and proper machine setup or maintenance.

GUARD REMOVAL. Operating jointer without guards unnecessarily exposes operator to knives/inserts and other hazardous moving parts. Except when rabbeting, never operate jointer or allow it to be connected to power if any guards are removed. Turn jointer **OFF** and disconnect power before clearing any shavings or sawdust from around cutterhead. After rabbeting or maintenance is complete, immediately replace all guards and ensure they are properly installed/adjusted before resuming regular operations.

DULL OR DAMAGED KNIVES/INSERTS. Dull or damaged knives/inserts increase risk of kickback and cause poor workpiece finish. Only use sharp, undamaged knives/inserts.

OUTFEED TABLE ALIGNMENT. Setting outfeed table too high can cause workpiece to hit table or get stuck while feeding. Setting outfeed table too low may cause workpiece to rock or shift while feeding. Both of these results will increase risk of kickback. Always keep outfeed table even with knives/inserts at highest point during rotation.

INSPECTING STOCK. Impact injuries or kickback may result from using improper workpieces. Thoroughly inspect and prepare workpiece before cutting. Verify workpiece is free of nails, staples, loose knots or other foreign material. Always joint warped workpieces with cupped side facing down.

MAXIMUM CUTTING DEPTH. To reduce risk of kickback, never cut deeper than $\frac{1}{8}$ " per pass.

GRAIN DIRECTION. Jointing against the grain or end grain can increase risk of kickback. It also requires more cutting force, which produces chatter or excessive chip out. Always joint or surface plane **WITH** the grain.

CUTTING LIMITATIONS. Cutting workpieces that do not meet minimum dimension requirements can result in kickback or accidental contact with cutterhead. Never perform jointing, planing, or rabbeting cuts on pieces smaller than specified in machine data sheet.

PUSH BLOCKS. Push blocks reduce risk of accidental cutterhead contact with hands. Always use push blocks when planing materials less than 3" high or wide. Never pass your hands directly over cutterhead without a push block.

WORKPIECE SUPPORT. Poor workpiece support or loss of workpiece control while feeding will increase risk of kickback or accidental contact with cutterhead. Support workpiece with fence continuously during operation. Support long stock with auxiliary tables if necessary.

FEED WORKPIECE PROPERLY. Kickback or accidental cutterhead contact may result if workpiece is fed into cutterhead the wrong way. Allow cutterhead to reach full speed before feeding. Never start jointer with workpiece touching cutterhead. Always feed workpiece from infeed side to outfeed side without stopping until cut is complete. Never move workpiece backwards while feeding.

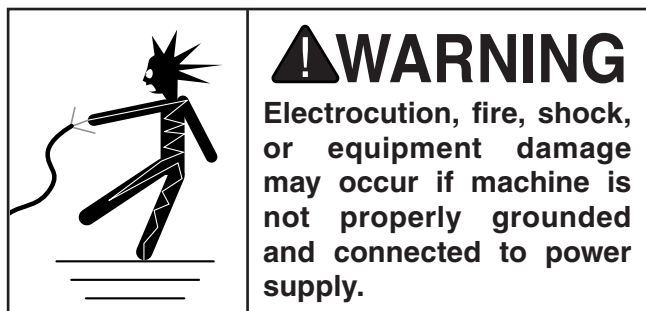
SECURE KNIVES/INSERTS. Loose knives or improperly set inserts can be thrown from cutterhead with dangerous force. Always verify knives/inserts are secure and properly adjusted before operation. Straight knives should never project more than $\frac{1}{8}$ " (0.125") from cutterhead body.



SECTION 2: POWER SUPPLY

Availability

Before installing the machine, consider the availability and proximity of the required power supply circuit. If an existing circuit does not meet the requirements for this machine, a new circuit must be installed. To minimize the risk of electrocution, fire, or equipment damage, installation work and electrical wiring must be done by an electrician or qualified service personnel in accordance with all applicable codes and standards.



Full-Load Current Rating

The full-load current rating is the amperage a machine draws at 100% of the rated output power. On machines with multiple motors, this is the amperage drawn by the largest motor or sum of all motors and electrical devices that might operate at one time during normal operations.

Full-Load Current Rating at 230V 12 Amps

The full-load current is not the maximum amount of amps that the machine will draw. If the machine is overloaded, it will draw additional amps beyond the full-load rating.

If the machine is overloaded for a sufficient length of time, damage, overheating, or fire may result—especially if connected to an undersized circuit. To reduce the risk of these hazards, avoid overloading the machine during operation and make sure it is connected to a power supply circuit that meets the specified circuit requirements.

Circuit Information

A power supply circuit includes all electrical equipment between the breaker box or fuse panel in the building and the machine. The power supply circuit used for this machine must be sized to safely handle the full-load current drawn from the machine for an extended period of time. (If this machine is connected to a circuit protected by fuses, use a time delay fuse marked D.)

! CAUTION
For your own safety and protection of property, consult an electrician if you are unsure about wiring practices or electrical codes in your area.

Note: *Circuit requirements in this manual apply to a dedicated circuit—where only one machine will be running on the circuit at a time. If machine will be connected to a shared circuit where multiple machines may be running at the same time, consult an electrician or qualified service personnel to ensure circuit is properly sized for safe operation.*

Circuit Requirements

This machine is prewired to operate on a power supply circuit that has a verified ground and meets the following requirements:

Nominal Voltage 208V, 220V, 230V, 240V
Cycle 60 Hz
Phase Single-Phase
Power Supply Circuit 20 Amps
Plug/Receptacle NEMA 6-20



Grounding Requirements

This machine **MUST** be grounded. In the event of certain malfunctions or breakdowns, grounding reduces the risk of electric shock by providing a path of least resistance for electric current.

This machine is equipped with a power cord that has an equipment-grounding wire and a grounding plug. Only insert plug into a matching receptacle (outlet) that is properly installed and grounded in accordance with all local codes and ordinances. **DO NOT** modify the provided plug!

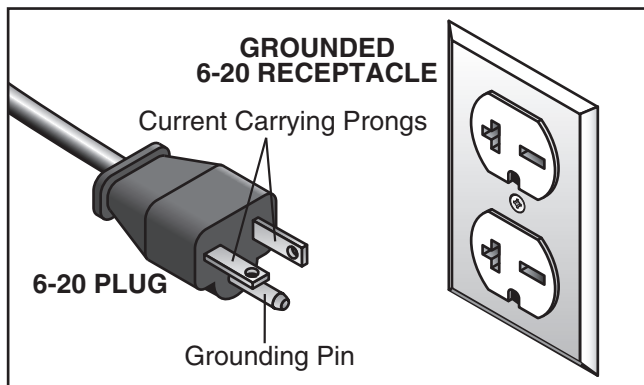
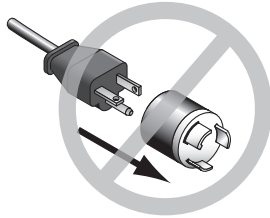


Figure 5. Typical 6-20 plug and receptacle.

CAUTION



No adapter should be used with plug. If plug does not fit available receptacle, or if machine must be reconnected for use on a different type of circuit, reconnection must be performed by an electrician or qualified service personnel, and it must comply with all local codes and ordinances.

WARNING

Serious injury could occur if you connect machine to power before completing setup process. DO NOT connect to power until instructed later in this manual.

Improper connection of the equipment-grounding wire can result in a risk of electric shock. The wire with green insulation (with or without yellow stripes) is the equipment-grounding wire. If repair or replacement of the power cord or plug is necessary, do not connect the equipment-grounding wire to a live (current carrying) terminal.

Check with a qualified electrician or service personnel if you do not understand these grounding requirements, or if you are in doubt about whether the tool is properly grounded. If you ever notice that a cord or plug is damaged or worn, disconnect it from power, and immediately replace it with a new one.

Extension Cords

We do not recommend using an extension cord with this machine. If you must use an extension cord, only use it if absolutely necessary and only on a temporary basis.

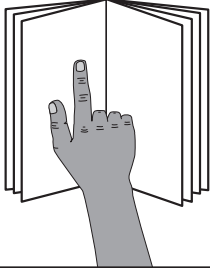
Extension cords cause voltage drop, which can damage electrical components and shorten motor life. Voltage drop increases as the extension cord size gets longer and the gauge size gets smaller (higher gauge numbers indicate smaller sizes).

Any extension cord used with this machine must be in good condition and contain a ground wire and matching plug/receptacle. Additionally, it must meet the following size requirements:

Minimum Gauge Size 12 AWG
Maximum Length (Shorter is Better).....50 ft.




SECTION 3: SETUP



!WARNING
This machine presents serious injury hazards to untrained users. Read through this entire manual to become familiar with the controls and operations before starting the machine!



!WARNING
Wear safety glasses during the entire setup process!



!WARNING
HEAVY LIFT!
Straining or crushing injury may occur from improperly lifting machine or some of its parts. To reduce this risk, get help from other people and use a forklift (or other lifting equipment) rated for weight of this machine.

Needed for Setup

The following items are needed, but not included, for the setup/assembly of this machine.

Description	Qty
• Additional People	1-3
• Safety Glasses	1 ea.
• Leather Gloves	1 Pair ea.
• Cleaner/Degreaser (Page 18)	As Needed
• Disposable Shop Rags.....	As Needed
• Lifting Equipment (Min. 1000-lb. Rating):	
—Forklift or Hoist	1
—Lifting Slings	2
• Precision Straightedge 3'	1
• Phillips Screwdriver #2	1
• Dust-Collection System	1
• 4" Dust Hose (length as needed)	1
• 4" Hose Clamp	1

Unpacking

This machine was carefully packaged for safe transport. When unpacking, separate all enclosed items from packaging materials and inspect them for shipping damage. ***If items are damaged, please call us immediately at (570) 546-9663.***

IMPORTANT: Save all packaging materials until you are completely satisfied with the machine and have resolved any issues between Grizzly or the shipping agent. *You MUST have the original packaging to file a freight claim. It is also extremely helpful if you need to return your machine later.*



Inventory

The following is a list of items shipped with your machine. Before beginning setup, lay these items out and inventory them.

If any non-proprietary parts are missing (e.g. a nut or a washer), we will gladly replace them; or for the sake of expediency, replacements can be obtained at your local hardware store.

NOTICE

If you cannot find an item on this list, carefully check around/inside the machine and packaging materials. Often, these items get lost in packaging materials while unpacking or they are pre-installed at the factory.

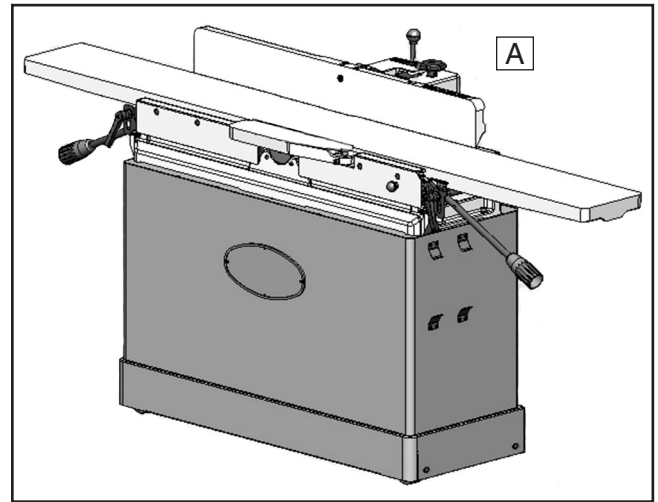


Figure 6. Inventory—jointer assembly.

Inventory (Figures 6–7)

	Qty
A. Jointer Assembly	1
B. Lifting Hooks	2
C. Lock Washers 8mm (Lifting Hooks)	4
D. Cap Screws M8-1.25 x 20 (Lifting Hooks) ..	4
E. Fence Tilt Handle	1
F. Push Blocks.....	2
G. Open-End Wrench 11/13mm	1
H. Open-End Wrench 8/10mm.....	1
I. Hex Wrench 6mm.....	1
J. Knife-Setting Jig (G0857)	
—External Retaining Rings	4
—Knife Jig Feet.....	2
—Knife Jig Rod.....	1
K. Helical Cutterhead Accessories (G0858)	
—T-Handle Torx Driver T-25	2
—Torx Screws T-25 #10-32 x 1/2	10
—Indexable Inserts 15 x 15 x 2.5mm	5
L. Knob Bolts M10-1.5 x 22 (Mobile Base)	2
M. Hex Wrench 4mm.....	1
N. Cutterhead Guard Assembly	1

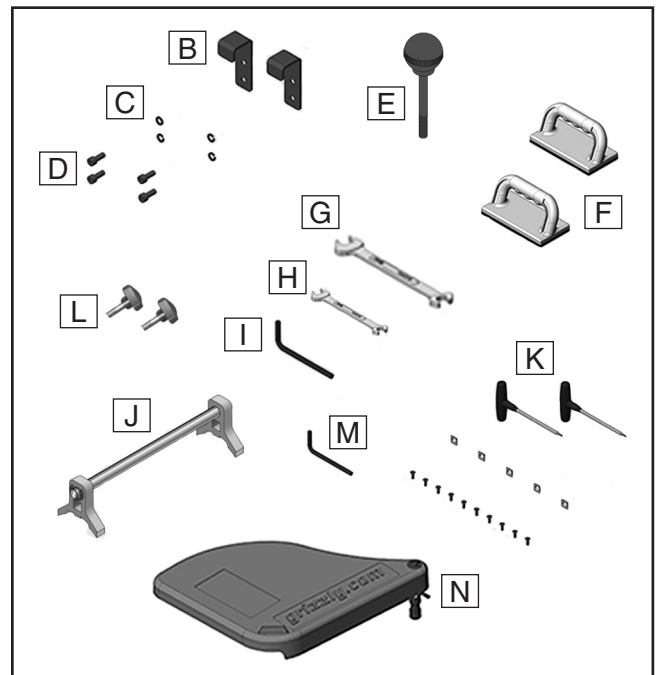


Figure 7. Inventory—loose items.



Hardware Recognition Chart

USE THIS CHART TO MATCH UP
HARDWARE DURING THE INVENTORY
AND ASSEMBLY PROCESS.

MEASURE BOLT DIAMETER BY PLACING INSIDE CIRCLE

#10

1/4"

5/16"

3/8"

7/16"

1/2"

4mm

5mm

6mm

8mm

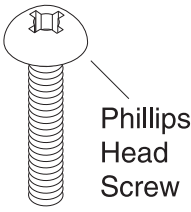
10mm

12mm

16mm



Hex Wrench



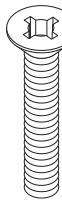
Phillips Head Screw



Lock Nut



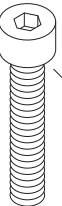
Wing Nut



Flat Head Screw



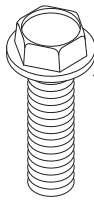
Flat Head Cap Screw



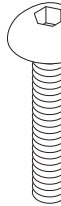
Cap Screw



Carriage Bolt



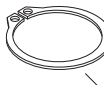
Flange Bolt



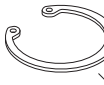
Button Head Screw



Tap Screw



External Retaining Ring



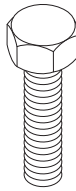
Internal Retaining Ring



E-Clip



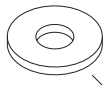
Set Screw



Hex Bolt



Key



Flat Washer

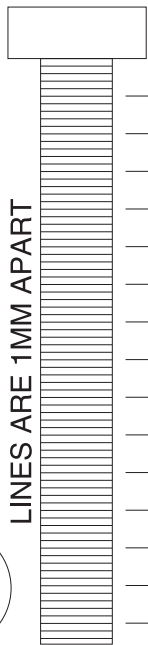


Lock Washer



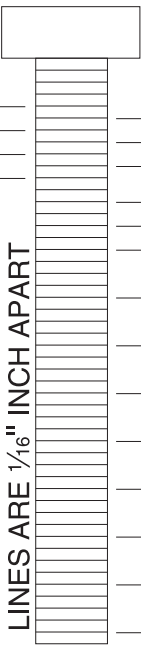
Hex Nut

LINES ARE 1MM APART



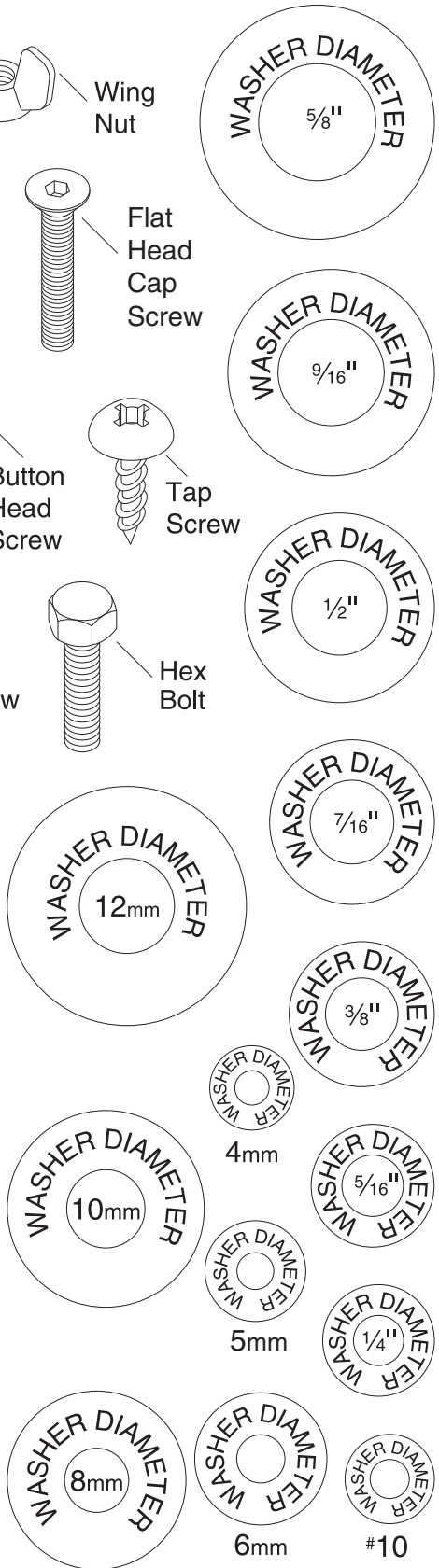
5mm
10mm
15mm
20mm
25mm
30mm
35mm
40mm
45mm
50mm
55mm
60mm
65mm
70mm
75mm

LINES ARE 1/16" INCH APART



1/4"
3/8"
1/2"
5/8"
5/16"
7/16"
9/16"
3/4"
7/8"
1"
1 1/4"
1 1/2"
1 3/4"
2
2 1/4"
2 1/2"
2 3/4"
3

WASHERS ARE MEASURED BY THE INSIDE DIAMETER



Cleanup

The unpainted surfaces of your machine are coated with a heavy-duty rust preventative that prevents corrosion during shipment and storage. This rust preventative works extremely well, but it will take a little time to clean.

Be patient and do a thorough job cleaning your machine. The time you spend doing this now will give you a better appreciation for the proper care of your machine's unpainted surfaces.

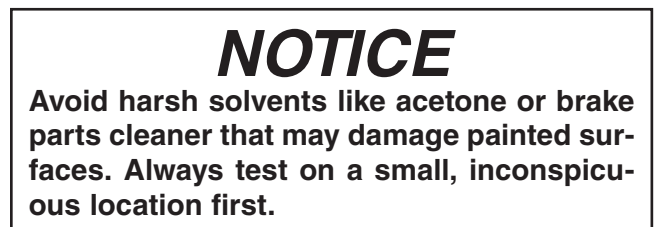
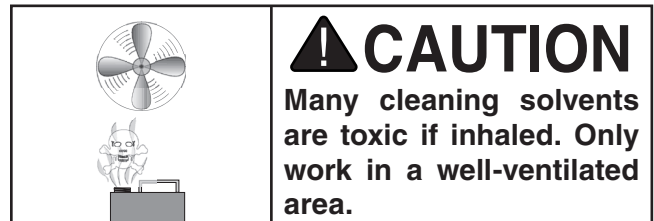
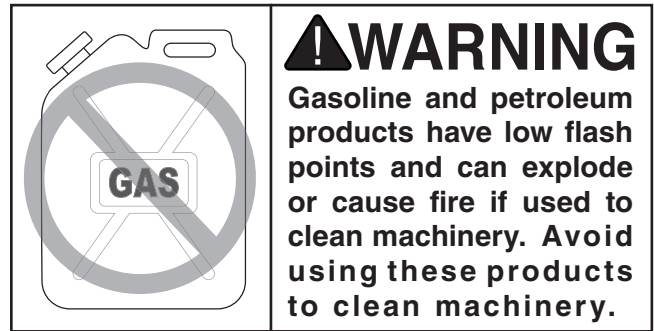
There are many ways to remove this rust preventative, but the following steps work well in a wide variety of situations. Always follow the manufacturer's instructions with any cleaning product you use and make sure you work in a well-ventilated area to minimize exposure to toxic fumes.

Before cleaning, gather the following:

- Disposable rags
- Cleaner/degreaser (WD•40 works well)
- Safety glasses & disposable gloves
- Plastic paint scraper (optional)

Basic steps for removing rust preventative:

1. Put on safety glasses.
2. Coat the rust preventative with a liberal amount of cleaner/degreaser, then let it soak for 5–10 minutes.
3. Wipe off the surfaces. If your cleaner/degreaser is effective, the rust preventative will wipe off easily. If you have a plastic paint scraper, scrape off as much as you can first, then wipe off the rest with the rag.
4. Repeat **Steps 2–3** as necessary until clean, then coat all unpainted surfaces with a quality metal protectant to prevent rust.



T23692—Orange Power Degreaser

A great product for removing the waxy shipping grease from the **non-painted** parts of the machine during clean up.



Figure 8. T23692 Orange Power Degreaser.



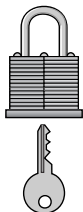
Site Considerations

Weight Load

Refer to the **Machine Data Sheet** for the weight of your machine. Make sure that the surface upon which the machine is placed will bear the weight of the machine, additional equipment that may be installed on the machine, and the heaviest workpiece that will be used. Additionally, consider the weight of the operator and any dynamic loading that may occur when operating the machine.

Space Allocation

Consider the largest size of workpiece that will be processed through this machine and provide enough space around the machine for adequate operator material handling or the installation of auxiliary equipment. With permanent installations, leave enough space around the machine to open or remove doors/covers as required by the maintenance and service described in this manual. **See below for required space allocation.**

	<p>CAUTION</p> <p>Children or untrained people may be seriously injured by this machine. Only install in an access restricted location.</p>
---	--

Physical Environment

The physical environment where the machine is operated is important for safe operation and longevity of machine components. For best results, operate this machine in a dry environment that is free from excessive moisture, hazardous chemicals, airborne abrasives, or extreme conditions. Extreme conditions for this type of machinery are generally those where the ambient temperature range exceeds 41°–104°F; the relative humidity range exceeds 20%–95% (non-condensing); or the environment is subject to vibration, shocks, or bumps.

Electrical Installation

Place this machine near an existing power source. Make sure all power cords are protected from traffic, material handling, moisture, chemicals, or other hazards. Make sure to leave enough space around machine to disconnect power supply or apply a lockout/tagout device, if required.

Lighting

Lighting around the machine must be adequate enough that operations can be performed safely. Shadows, glare, or strobe effects that may distract or impede the operator must be eliminated.

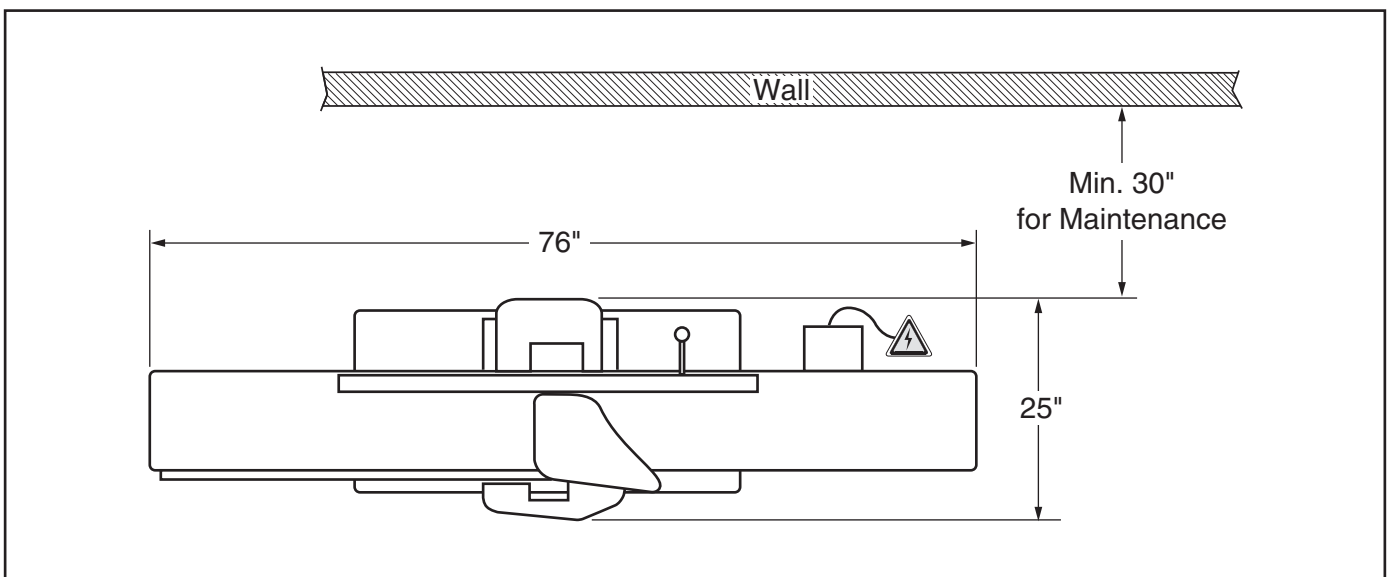



Figure 9. Minimum working clearances.



Assembly

The machine must be fully assembled before it can be operated. Before beginning the assembly process, refer to **Needed for Setup** and gather all listed items. To ensure the assembly process goes smoothly, first clean any parts that are covered or coated in heavy-duty rust preventative (if applicable).

	<p>WARNING HEAVY LIFT! Straining or crushing injury may occur from improperly lifting machine or some of its parts. To reduce this risk, get help from other people and use a forklift (or other lifting equipment) rated for weight of this machine.</p>
---	---

This jointer is equipped with a mobile base to allow moving and placing of machine without power lifting equipment. **DO NOT** attempt to lift or move jointer without necessary assistance from other people. If using power lifting equipment (such as a forklift or crane), each piece of lifting equipment must be rated for **at least 1000 lbs.** to support dynamic loads that may be applied while lifting.

Review the **Power Supply** section (see **Page 13**), then prepare a permanent location for the jointer.

To assemble jointer:

1. Remove top and sides of shipping crate, then place small items aside in safe location.

NOTE: *Do not destroy crate or packaging until after **Test Run**.*

2. If moving and placing jointer without power lifting equipment, carefully "walk" machine off the shipping pallet with the help of other people and roll it to its prepared location. Proceed to **Step 4**.

3. If moving and placing machine with power lifting equipment, attach (2) lifting hooks to front and rear of jointer stand with (4) M8-1.25 x 20 cap screws and (4) 8mm lock washers (see **Figure 10**).

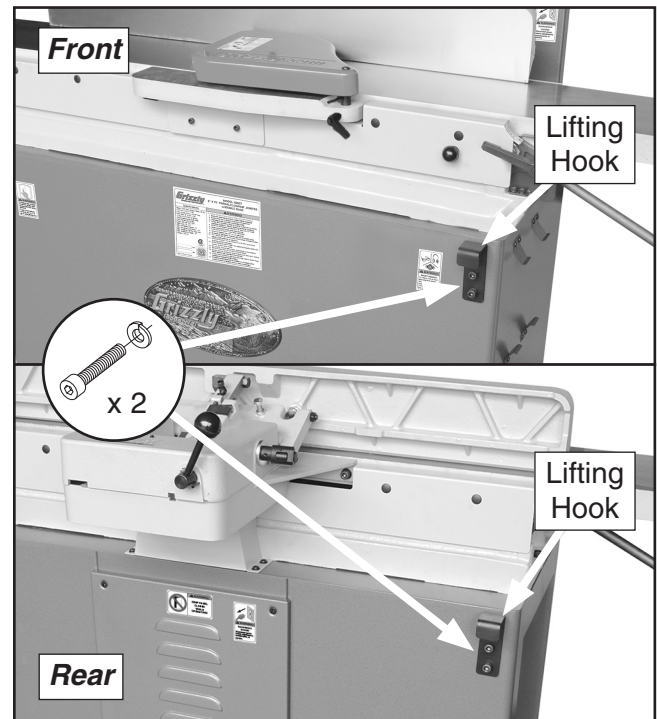


Figure 10. Lifting hooks attached.

NOTICE

If using power lifting equipment, **DO NOT** lift this jointer by the tables. Doing so may affect factory-set table parallelism. Attach lifting slings to lifting hooks. After lifting, remove lifting hooks and roll jointer to its prepared location.



4. Install (2) mobile base lock knobs (see **Figure 11**) so jointer will not easily move.

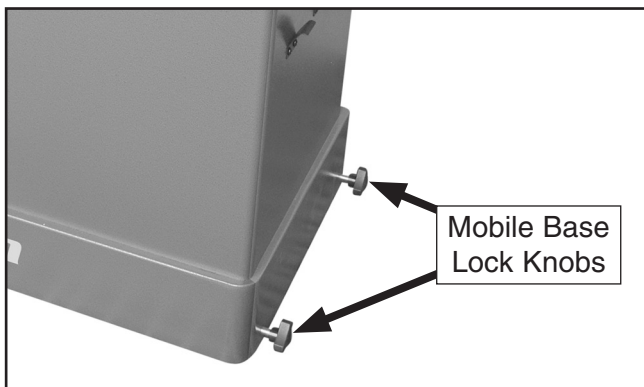


Figure 11. Mobile base lock knobs installed.

5. Adjust feet (see **Figure 12**) as necessary until jointer is stable without any rocking or wobbling.

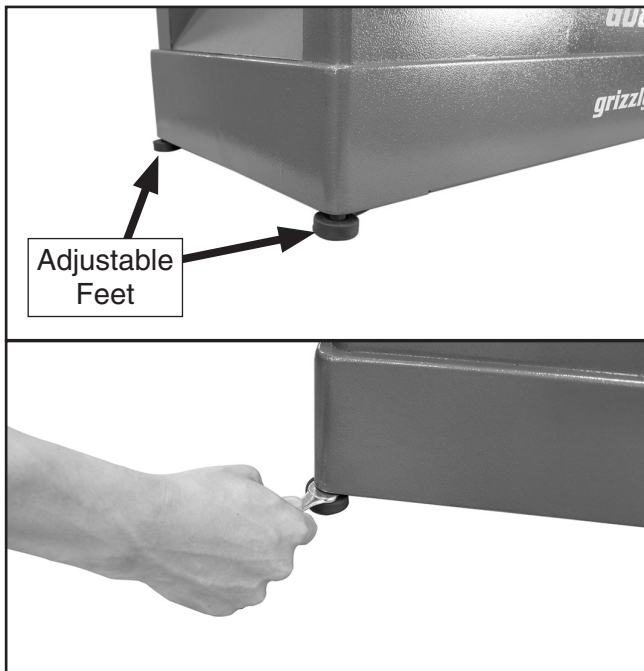


Figure 12. Leveling jointer.

6. Reposition and secure switch pedestal (see **Figure 13**) in upright position with (2) M8-1.25 x 20 cap screws and (2) 8mm lock washers pre-installed on stand.

Note: Switch pedestal is mounted upside-down for shipping purposes.

7. Connect switch cord to motor cord and install fence tilt handle (see **Figure 13**).

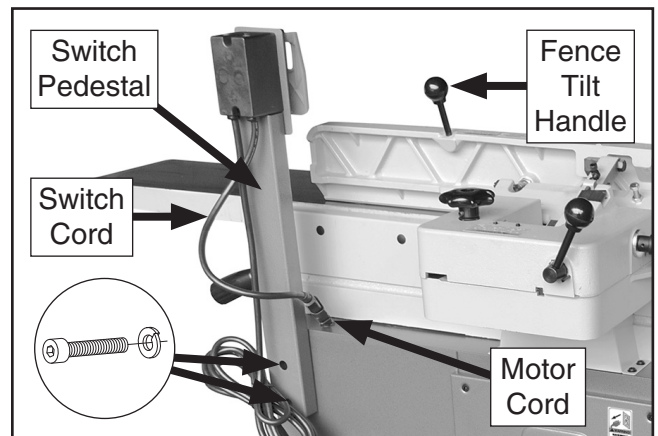


Figure 13. Switch pedestal attached to stand, cords connected, and fence tilt handle installed.

8. Verify outfeed table height is set correctly with knives/inserts at top dead center (TDC) (refer to **Setting Outfeed Table Height** on **Page 46**) and all knives/inserts are securely tightened in cutterhead.
9. Set fence to 90° and move it all the way back.
10. Remove pre-installed button head cap screw and fender washer from bottom of cutterhead guard shaft; then loosen shaft lock and insert shaft into mounting hole, positioned so guard rests against fence (see **Figure 14**).

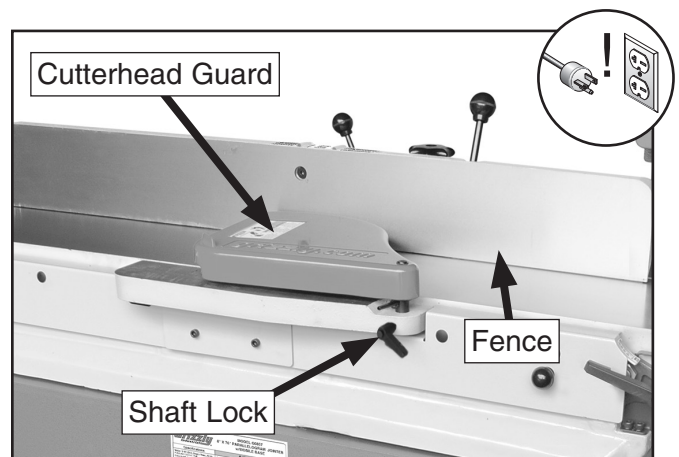


Figure 14. Cutterhead guard components.

11. Position guard height as low as possible without dragging on infeed table/rabbeting ledge (approximately 1/16" above infeed table), tighten shaft lock to secure setting, then install button head cap screw and fender washer.



12. Verify proper operation of cutterhead guard by setting fence to 90°, moving fence to rear of table, then pulling cutterhead guard back and letting it go. It should spring back over cutterhead and contact fence without dragging across outfeed table.

— If cutterhead guard does not spring back over cutterhead and contact fence, or if it drags across outfeed table, then it must be adjusted (refer to **Checking/Adjusting Cutterhead Guard** on **Page 53** for instructions).

!WARNING

The cutterhead guard is a critical safety feature of this jointer. You **MUST** verify its operation before using the jointer! Failure to do so will greatly increase risk of serious personal injury.

Knife-Setting Jig (G0857)

Assemble the knife-setting jig (see **Figure 15**) using the knife-setting jig rod, feet, and external retaining rings.

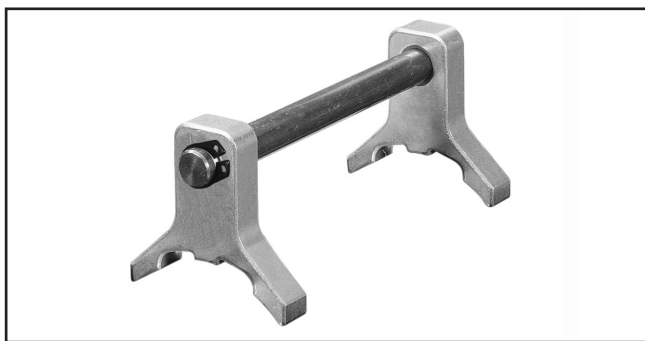


Figure 15. Knife-setting jig assembly (G0857 only).

Dust Collection

!CAUTION

This machine creates a lot of wood chips/dust during operation. Breathing airborne dust on a regular basis can result in permanent respiratory illness. Reduce your risk by wearing a respirator and capturing the dust with a dust-collection system.

Recommended CFM at Dust Port: 400 CFM

Do not confuse this CFM recommendation with the rating of the dust collector. To determine the CFM at the dust port, you must consider these variables: (1) CFM rating of the dust collector, (2) hose type and length between the dust collector and the machine, (3) number of branches or wyes, and (4) amount of other open lines throughout the system. Explaining how to calculate these variables is beyond the scope of this manual. Consult an expert or purchase a good dust collection "how-to" book.

To connect dust-collection hose:

1. Fit 4" dust hose over dust port, as shown in **Figure 16**, and secure with a hose clamp.

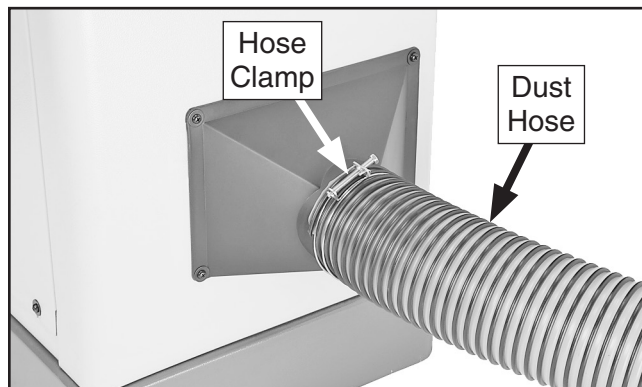


Figure 16. Example of dust hose attached to dust port.

2. Tug hose to make sure it does not come off. A tight fit is necessary for proper performance.



Test Run

Once assembly is complete, test run the machine to ensure it is properly connected to power and safety components are functioning correctly.

If you find an unusual problem during the test run, immediately stop the machine, disconnect it from power, and fix the problem BEFORE operating the machine again. The **Troubleshooting** table in the **SERVICE** section of this manual can help.

WARNING

Serious injury or death can result from using this machine BEFORE understanding its controls and related safety information. DO NOT operate, or allow others to operate, machine until the information is understood.

WARNING

DO NOT start machine until all preceding setup instructions have been performed. Operating an improperly set up machine may result in malfunction or unexpected results that can lead to serious injury, death, or machine/property damage.

To test run machine:

1. Clear all setup tools away from machine.
2. Connect machine to power supply.
3. Push ON button to start machine. A correctly operating machine runs smoothly with little or no vibration or rubbing noises.
4. Push STOP paddle to stop machine. Congratulations! The Test Run is complete.

Tightening Belt

The final step in the setup process must be done after approximately 16 hours of operation. During this first 16 hours, the belt will stretch and seat into the pulley groove. After this time, you must re-tension the belt to avoid slippage and burn out. Refer to **Page 51** when you are ready to perform this important adjustment.

Note: *Pulleys and belt can get hot. This is a normal condition. Allow them to cool before making adjustments.*

A small amount of black belt dust at the bottom of the belt housing is normal during the life of the machine and does not indicate a problem with the machine or belt.



Disabling & Locking Switch

The switch can be disabled and locked by inserting a padlock through the ON/START button, as shown. Locking the switch in this manner can prevent unauthorized operation of the machine, which is especially important if the machine is not stored inside an access-restricted building.

IMPORTANT: Locking the switch with a padlock only restricts its function. It is not a substitute for disconnecting power from the machine when adjusting or servicing.

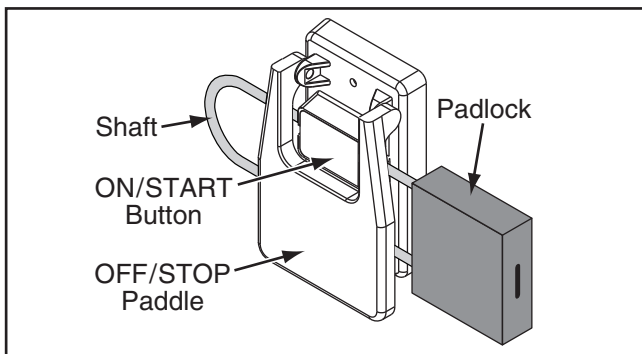


Figure 17. Switch disabled by a padlock.

!WARNING

Children or untrained people can be seriously injured by this machine. This risk increases with unsupervised operation. To help prevent unsupervised operation, disable and lock the switch before leaving machine unattended! Place key in a well-hidden or secure location.

NOTICE

The padlock shaft diameter is important to the disabling function of the switch. Use padlocks with a maximum shaft diameter of 4mm. With any padlock used to lock the switch, test the switch after installation to ensure that it is properly disabled.

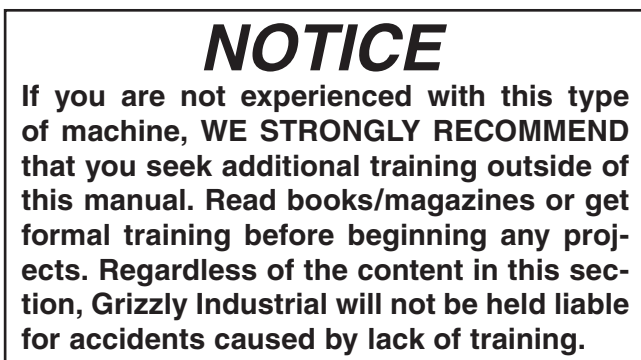
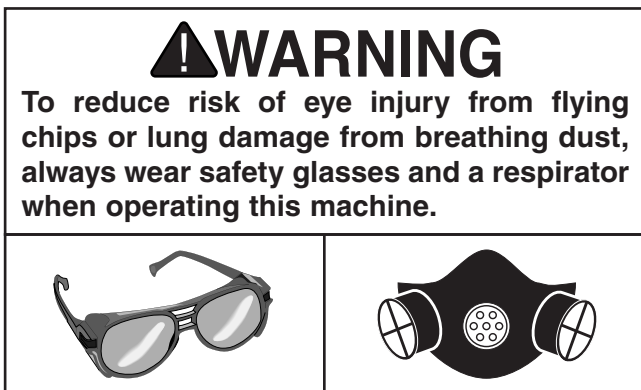


SECTION 4: OPERATIONS

Operation Overview

The purpose of this overview is to provide the novice machine operator with a basic understanding of how the machine is used during operation, so the machine controls/components discussed later in this manual are easier to understand.

Due to the generic nature of this overview, it is **not** intended to be an instructional guide. To learn more about specific operations, read this entire manual, seek additional training from experienced machine operators, and do additional research outside of this manual by reading "how-to" books, trade magazines, or websites.



To complete a typical operation with the jointer, the operator does the following:

1. Examines workpiece to verify it is safe and suitable for cutting.
2. Adjusts fence for width of workpiece and locks it in place.
3. Adjusts fence tilt, if necessary.
4. Adjusts infeed table height to set depth of cut per pass.
5. Puts on safety glasses, respirator, and any other required protective equipment.
6. Starts jointer.
7. Using push blocks as needed, holds workpiece firmly against infeed table and fence, and feeds workpiece into cutterhead at a steady and controlled rate until entire length of workpiece has been cut and it clears the cutterhead on the outfeed table side.
8. Repeats cutting process described above until desired results are achieved.
9. Stops jointer.



Stock Inspection & Requirements

Follow these rules when choosing and jointing stock:

- **DO NOT joint or surface plane stock that contains large or loose knots.** Injury to the operator or damage to the workpiece can occur if a knot becomes dislodged during the cutting operation.
- **DO NOT joint or surface plane against the grain direction.** Cutting against the grain increases the likelihood of kickback, as well as tear-out on the workpiece.
- **Jointing and surface planing with the grain produces a better finish and is safer for the operator.** Cutting with the grain is described as feeding the stock on the jointer so the grain points down and toward you as viewed on the edge of the stock (see **Figure** below).

Note: If the grain changes direction along the edge of the board, decrease the cutting depth and make additional passes.

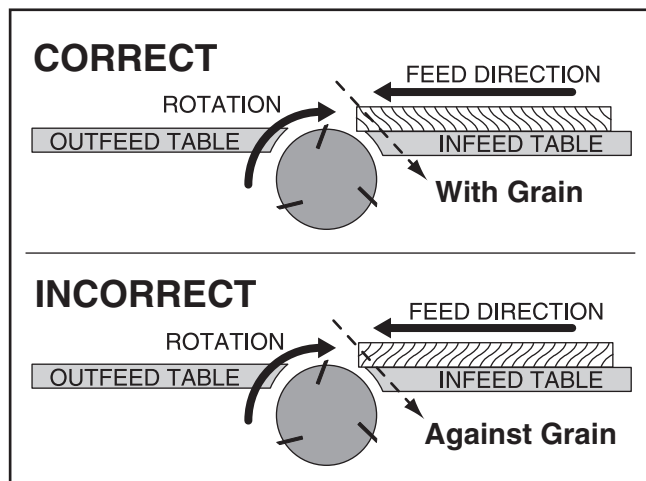


Figure 18. Proper grain alignment with cutterhead.

- **Only cut natural wood.** This jointer is only designed for cutting natural wood stock. Never use it to cut MDF, particle board, plywood, laminates, drywall, backer board, metals, glass, stone, tile, products with lead-based paint, or products that contain asbestos. Cutting these may lead to injury or machine damage.

- **Scrape all glue off the workpiece before jointing.** Glue deposits on the workpiece, hard or soft, will gum up the cutterhead and produce poor results.
- **Remove foreign objects from the workpiece.** Make sure that any stock you process with the jointer is clean and free of dirt, nails, staples, tiny rocks or any other foreign objects that could damage the cutterhead. These particles could also cause a spark as they strike the cutterhead and create a fire hazard.

IMPORTANT: Wood stacked on a concrete or dirt surface can have small pieces of concrete or stone pressed into the surface.

- **Make sure all stock is sufficiently dried before jointing.** Wood with a moisture content over 20% will cause unnecessary wear on the cutters and poor cutting results. Excess moisture can also hasten rust and corrosion.

⚠ WARNING

Make sure your workpiece exceeds the minimum dimension requirements shown below before processing it through the jointer, or the workpiece may break or kick back during the operation.

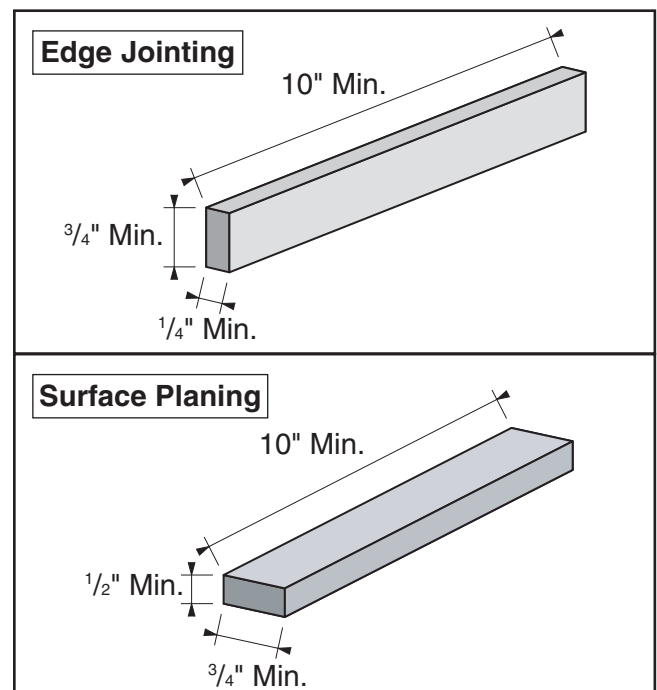


Figure 19. Minimum stock dimensions for jointer.



Squaring Stock

Squaring stock means making it flat and parallel along both length and width, and making the length and width perpendicular to one another.

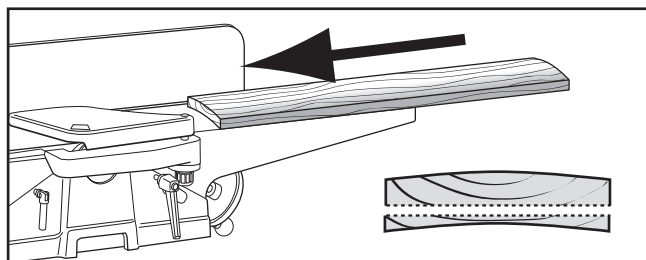
The purpose of squaring stock is to prepare it for accurate cuts and construction later on.

A properly "squared up" workpiece is essential for tasks such as accurate table saw cuts, glue-ups/laminations, cutting accurate bevels on a bandsaw, and many other applications where one surface of a workpiece is used to reference another.

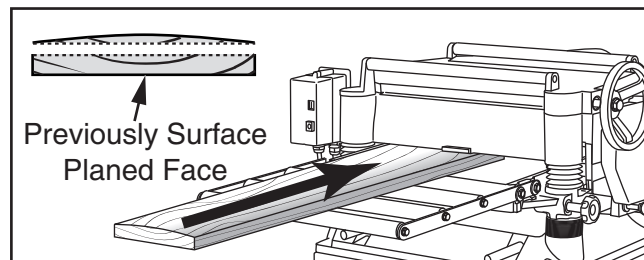
Items Needed	Qty
Jointer	1
Planer	1
Table Saw	1

Squaring stock involves four steps performed in the order below:

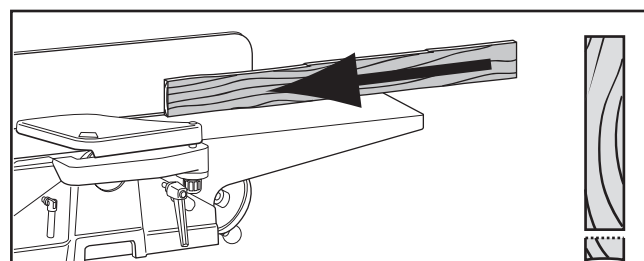
- 1. Surface Plane on Jointer**—Concave face of workpiece is surface planed flat with jointer.



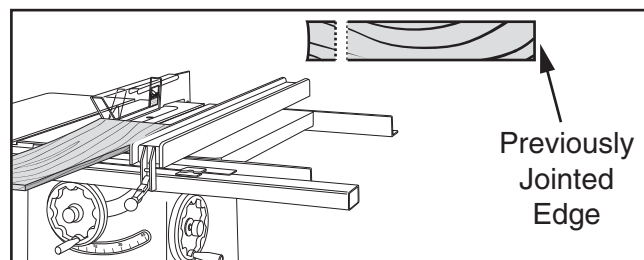
- 2. Surface Plane on a Thickness Planer**—Opposite face of workpiece is surface planed flat with a thickness planer.



- 3. Edge Joint on Jointer**—Concave edge of workpiece is jointed flat with jointer.



- 4. Rip Cut on a Table Saw**—Jointed edge of workpiece is placed against a table saw fence and opposite edge cut off.



Surface Planing

The purpose of surface planing (see example **Figures** below) on the jointer is to make one flat face on a piece of stock to prepare it for thickness planing on a planer.

!WARNING

Failure to use push blocks when surface planing could result in your hands contacting rotating cutterhead, which will cause serious personal injury. ALWAYS use push blocks when surface planing on jointer!

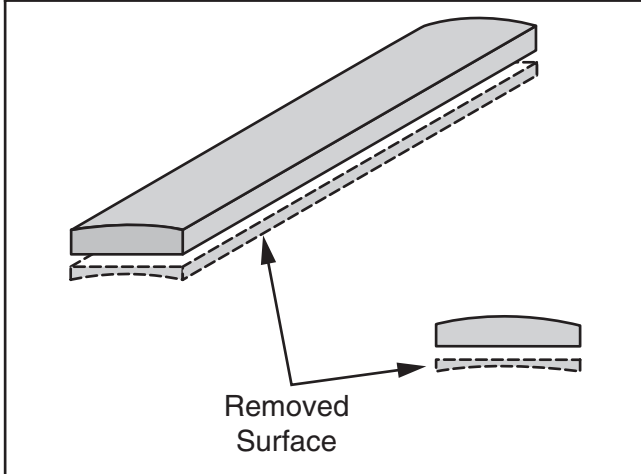
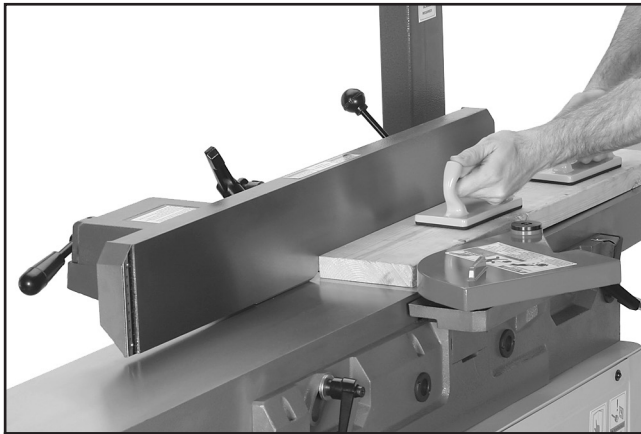


Figure 20. Example photo of a surface planing operation.

To surface plane on jointer:

1. Inspect stock to ensure it is safe and suitable for the operation (see **Stock Inspection & Requirements** section).

2. Set infeed table height to desired cutting depth for each pass.

!CAUTION: To minimize risk of kickback, do not exceed a cutting depth of $\frac{1}{16}$ " per pass when surface planing.

3. Set fence to 90° .

4. Start jointer.

5. Place workpiece firmly against fence and infeed table.

!CAUTION: To ensure workpiece remains stable during cut, concave sides of workpiece must face toward table and fence.

6. Feed workpiece completely across cutterhead while keeping it firmly against fence and tables during the entire cut.

!CAUTION: Keep hands at least 4" away from cutterhead during the entire cut. Instead of allowing a hand to pass directly over cutterhead, lift it up and over cutterhead, and safely reposition it on the outfeed side to continue supporting workpiece. Use push blocks whenever practical to further reduce risk of accidental hand contact with cutterhead.

7. Repeat **Step 6** until entire surface is flat.

Tip: When squaring up stock, cut opposite side of workpiece with a planer instead of the jointer to ensure both sides are parallel.



Edge Jointing

Edge jointing (see example **Figures** below) produces a flat and true surface along the side of a workpiece by removing uneven areas. It is an essential step for squaring up warped or rough stock and when preparing a workpiece for joinery or finishing.

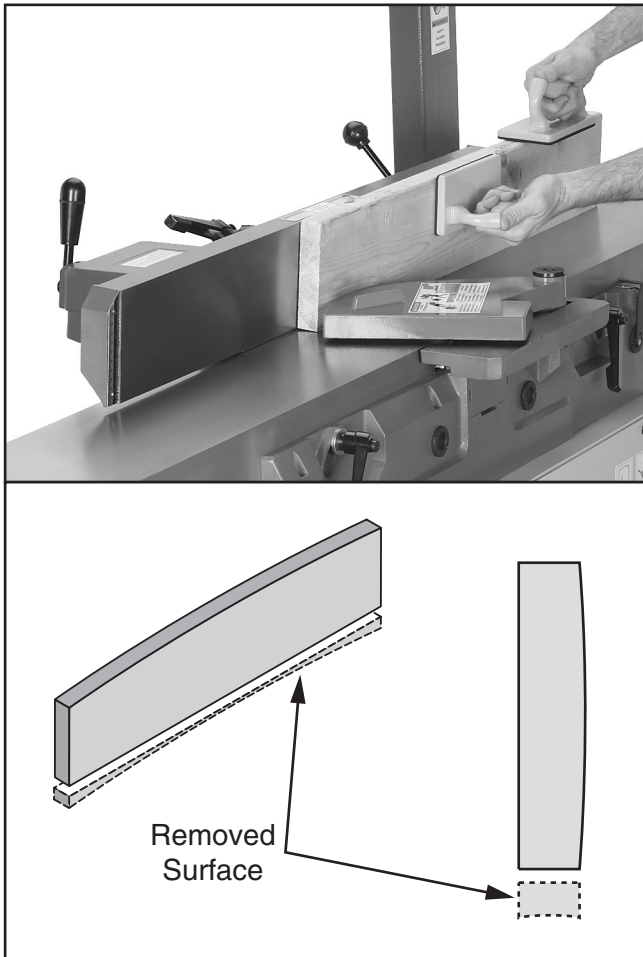


Figure 21. Example photo of an edge jointing operation.

To edge joint on jointer:

1. Inspect stock to ensure it is safe and suitable for the operation (see **Stock Inspection & Requirements** section).

2. Set infeed table height to desired cutting depth for each pass.

▲ CAUTION: To minimize risk of kickback, do not exceed a cutting depth of $\frac{1}{8}$ " per pass.

3. Set fence to 90° .

4. Start jointer.

5. Place workpiece firmly against fence and infeed table.

▲ CAUTION: To ensure workpiece remains stable during cut, concave sides of workpiece must face toward table and fence.

6. Feed workpiece completely across cutterhead while keeping it firmly against fence and tables during the entire cut.

▲ CAUTION: Keep hands at least 4" away from cutterhead during the entire cut. Instead of allowing a hand to pass directly over cutterhead, lift it up and over cutterhead, and safely reposition it on the outfeed side to continue supporting workpiece. Use push blocks whenever practical to further reduce risk of accidental hand contact with cutterhead.

7. Repeat **Step 6** until the entire edge is flat.

Tip: When squaring up stock, cut opposite edge of workpiece with a table saw instead of the jointer—otherwise, both edges of workpiece will not be parallel with each other.



Bevel Cutting

Bevel cuts (see example **Figures** below) can be made by setting the fence at the desired angle and feeding the workpiece firmly along the fence face, with the bottom inside corner firmly against the table. The cutting process typically requires multiple passes or cuts to bevel the entire edge of a workpiece.

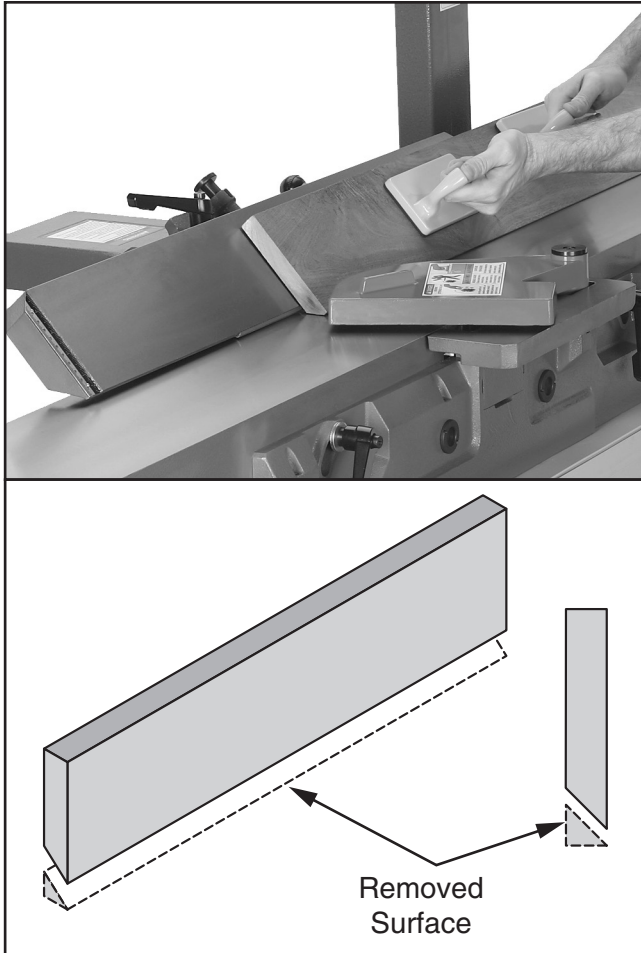


Figure 22. Example of fence set up for a bevel cut of 45°.

To bevel cut on jointer:

1. Inspect stock to ensure it is safe and suitable for the operation (see **Stock Inspection & Requirements** section).
2. Set infeed table height to cutting depth desired for each pass.
▲ CAUTION: Cutting depth for bevel cuts is typically between $\frac{1}{16}$ " and $\frac{1}{8}$ ", depending on hardness and width of stock.
3. Set fence tilt to desired angle of cut.
4. Place workpiece against fence and infeed table with concave side face down.
5. Start jointer.
6. With a push block in your leading hand, press workpiece against table and fence with firm pressure, and feed workpiece over cutterhead with a push block in your trailing hand.

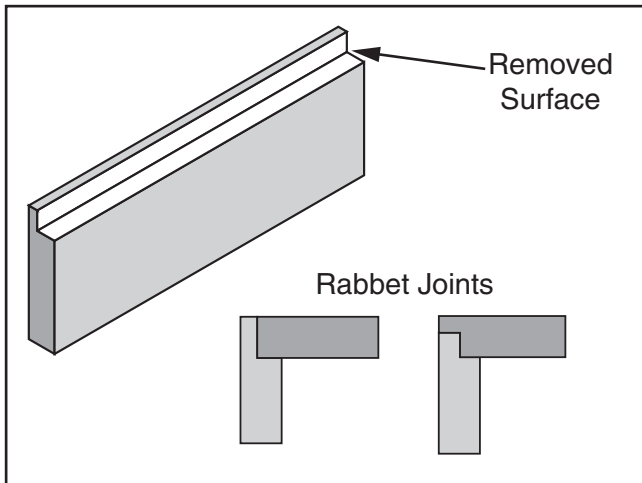
▲ CAUTION: When your leading hand gets within 4" of the cutterhead, lift it up and over cutterhead, and place push block on portion of the workpiece once it is 4" past cutterhead. Now, focus your pressure on outfeed end of the workpiece while feeding, and repeat same action with your trailing hand when it gets within 4" of cutterhead. To help keep your hands safe, **DO NOT** let them get closer than 4" from moving cutterhead at any time during operation!

7. Repeat cutting process, as necessary, until you are satisfied with the results.



Rabbet Cutting

A rabbet cut removes a portion of a workpiece edge, so it fits together with an opposing, equally sized rabbet cut on another workpiece (see example **Figure** below). This is a classic method of joining two workpieces that is simple, yet strong.



This jointer can be used to make high-quality rabbet cuts, but there are some situations—whether it is due to an excessively large/small workpiece size or rabbet cutting width/depth—when it will not be safe or appropriate for making the rabbet cut on this jointer. In these cases, you need to use another tool or method for rabbet cutting that will be a safer alternative.

A rabbet cut can alternatively be made using a table saw, router, or even a hand saw. As with any type of cutting operation, always consider your safety first and use good judgement!

Typically, rabbet cutting with a jointer requires the cutterhead guard to be removed first, so the workpiece can slide along the rabbeting ledge during the cut. However, it is possible to make rabbet cuts with workpieces up to 1" thick without removing the cutterhead guard. This is done by performing the rabbet cut with the workpiece on end (similar to when you are edge jointing).

To rabbet cut on jointer:

1. Inspect stock to ensure it is safe and suitable for the operation (see **Stock Inspection & Requirements** section).
2. Set infeed table height to desired cutting depth for each pass.
⚠ CAUTION: For safety reasons, cutting depth should never exceed $\frac{1}{8}$ " per pass.
3. Remove cutterhead guard if necessary to perform operation (see **Figures** below.)

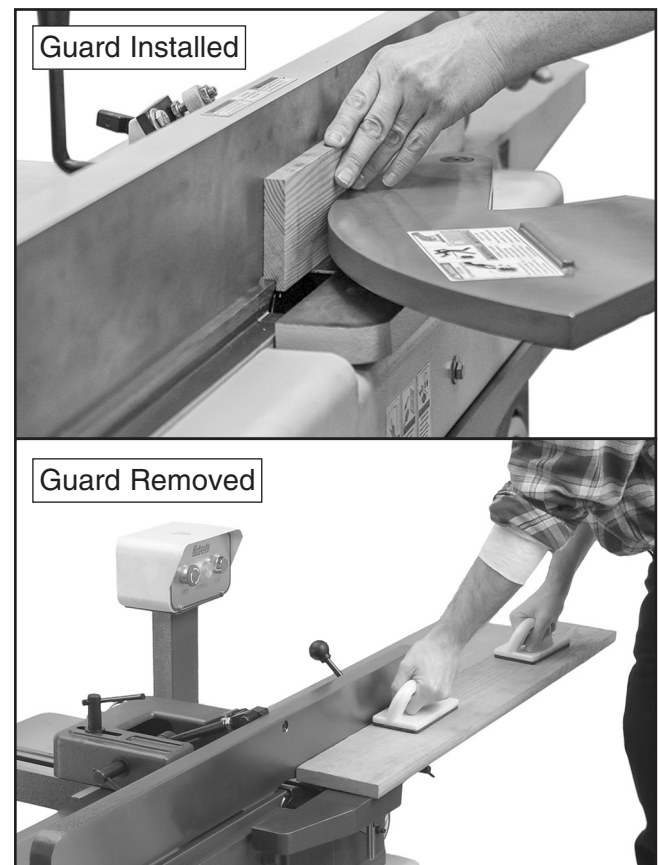


Figure 23. Examples of typical rabbet cutting operations.

⚠ WARNING

When cutterhead guard is removed, attempting any other cut besides a rabbet directly exposes operator to moving cutterhead. To minimize risk of injury and unnecessary exposure to cutterhead, always keep cutterhead guard installed when possible, and **ALWAYS** immediately replace it after performing rabbet cuts.



4. Set fence to 90° and near front of jointer, so amount of exposed cutterhead in front of fence matches size of desired rabbet.

5. Start jointer.

6. Place workpiece firmly against fence and infeed table.

⚠ CAUTION: To ensure workpiece remains stable during cut, concave sides of workpiece must face toward table and fence.

7. Feed workpiece completely across cutterhead while keeping it firmly against fence and tables during entire cut.

⚠ CAUTION: Keep hands at least 4" away from cutterhead during the entire cut. Instead of allowing a hand to pass directly over cutterhead, lift it up and over cutterhead, and safely reposition it on the outfeed side to continue supporting workpiece. Use push blocks whenever practical to further reduce risk of accidental hand contact with cutterhead.

8. Repeat **Step 7** until rabbet is cut to depth.

9. Re-install cutterhead guard if removed in **Step 3**.

Setting Depth of Cut

The depth of cut on a jointer affects the amount of material removed from the bottom of the workpiece as it passes over the cutterhead.

The depth of cut is set by adjusting the height of the infeed table relative to the outfeed table and cutterhead knives/inserts at top dead center (TDC).

This jointer is equipped with a 1/8" depth stop. This prevents the table from accidentally being lowered below 1/8", which is the maximum depth of cut.

⚠ CAUTION

DO NOT exceed 1/8" depth of cut per pass on this machine or kickback and serious injury may occur!

Adjusting Infeed Table Height

To adjust the infeed table height, loosen the infeed table lock (see **Figure 24**), move the infeed table adjustment lever (see **Figure 24**) up or down to raise or lower the table, and then tighten the lock to secure the setting.

To lower the infeed table below the 1/8" depth stop, pull the release knob (see **Figure 24**), adjust the table height, and then tighten the lock to secure the setting.

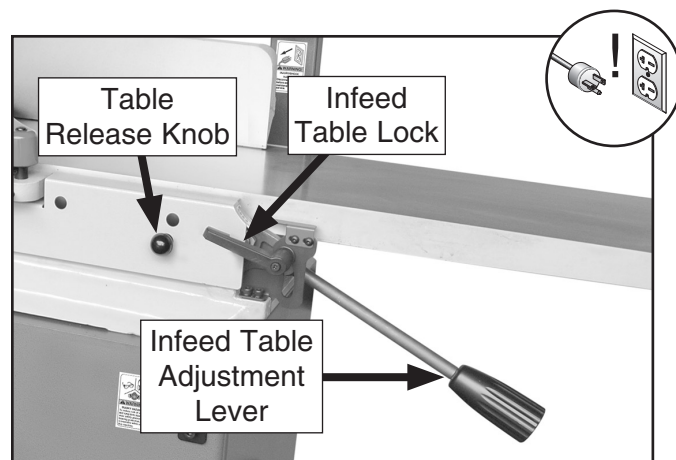


Figure 24. Infeed table controls.



Depth-of-Cut Scale

The depth of cut can be referenced directly from the depth scale located on the front of the jointer (see **Figure 25**).

Note: *The depth scale can be calibrated or "zeroed" if it is not accurate. (Refer to **Calibrating Depth-of-Cut Scale** on **Page 50**.)*

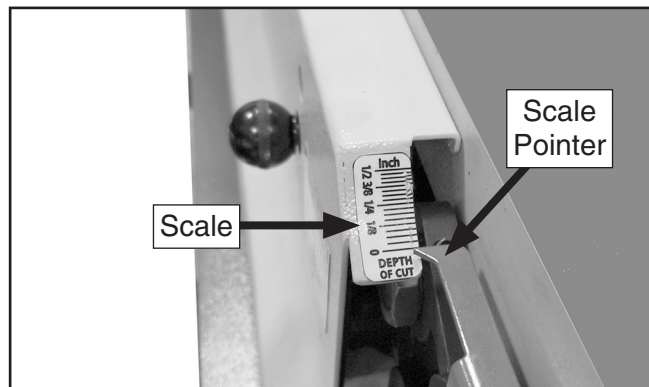


Figure 25. Depth-of-cut scale components.

Infeed Positive Stops

The infeed table has three positive stop bolts (see **Figure 26**) that allow you to quickly adjust the infeed table between finish/final cuts and shaping/heavy cuts, and the maximum depth of cut of $\frac{1}{2}$ " (or less) when rabbeting.

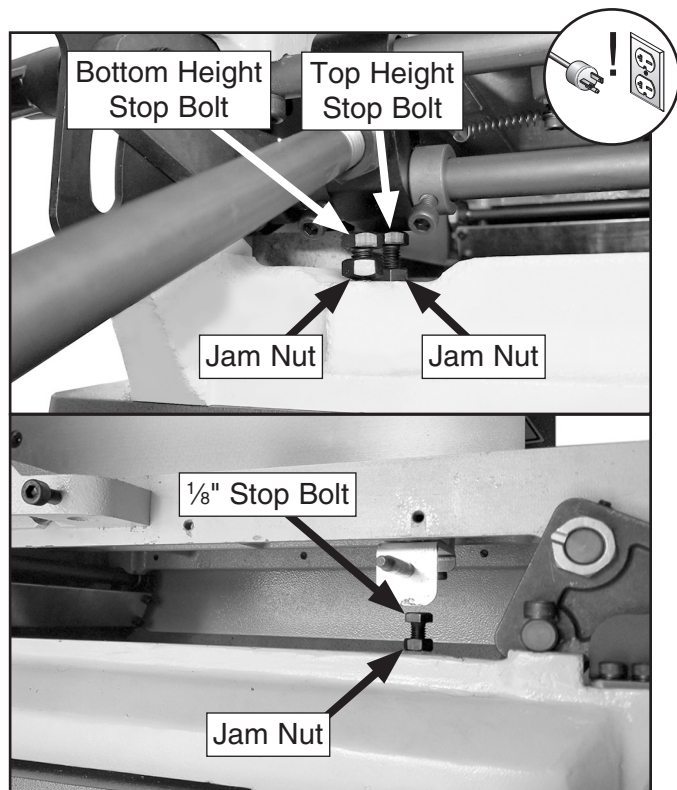


Figure 26. Positive stop bolts for infeed table.

The positive stop bolts control the top and bottom range of table movement. Jam nuts lock the positive stop bolts in position so they will not move during operation.

We recommend setting the bottom height stop bolt at $\frac{1}{2}$ ". The top height stop can be set anywhere between 0" and $\frac{1}{16}$ ". The $\frac{1}{8}$ " stop bolt is factory set and should not be adjusted unless calibration is necessary.

Item(s) Needed	Qty
Open-End Wrench 13mm.....	1

To adjust infeed positive stop bolts:

1. DISCONNECT MACHINE FROM POWER!
2. Loosen jam nuts on both stop bolts (see **Figure 26**).
3. Raise table to minimum desired depth of cut, then tighten top height stop bolt (see **Figure 26**) until it contacts table. Tighten jam nut to secure stop bolt in position.
4. Lower table to maximum desired depth of cut, then tighten bottom height stop bolt until it contacts table. Tighten jam nut to secure stop bolt in position.

Note: *If you need to lower the infeed table more than $\frac{1}{8}$ ", then pull and hold the table release knob (see **Figure 24**) while lowering infeed table.*



SECTION 5: ACCESSORIES

! WARNING

Installing unapproved accessories may cause machine to malfunction, resulting in serious personal injury or machine damage. To reduce this risk, only install accessories recommended for this machine by Grizzly.

NOTICE

Refer to our website or latest catalog for additional recommended accessories.

H4982—HSS Jointer Knives, 4 Pk.
8" x 3/4" x 1/8" replacement HSS jointer knives.

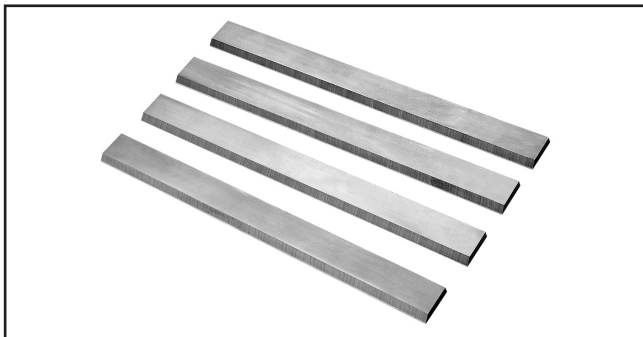


Figure 27. H4982 Jointer Knives for Model G0855.

W1211A—Jointer Pal® Magnetic Knife Gauge (For HSS & Cobalt Knives)

This magnetic knife-setting system lets you set jointer knives in perfect alignment every time!



Figure 28. W1211A Jointer Pal® Knife Gauge.

H9893—Indexable Carbide Inserts, 10-Pk.
15 x 15 x 2.5mm replacement indexable carbide inserts.

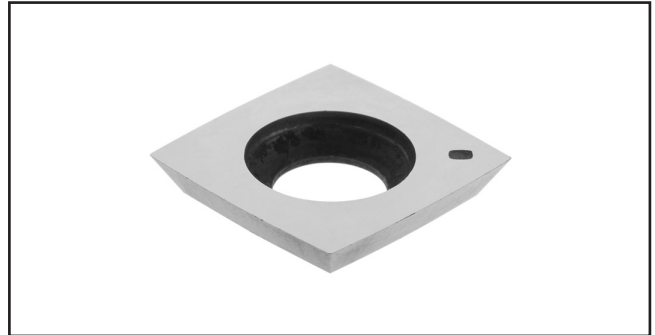


Figure 29. H9893 Indexable Carbide Inserts for Model G0858.

Basic Eye Protection

- T20501—Face Shield Crown Protector 4"
- T20502—Face Shield Crown Protector 7"
- T20503—Face Shield Window
- T20451—"Kirova" Clear Safety Glasses
- T20452—"Kirova" Anti-Reflective S. Glasses
- T20456—DAKURA Safety Glasses

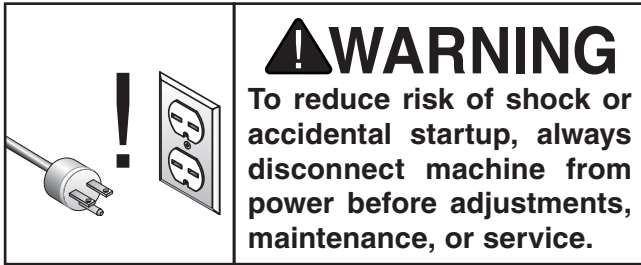


Figure 30. Assortment of basic eye protection.

order online at www.grizzly.com or call 1-800-523-4777



SECTION 6: MAINTENANCE



Schedule

For optimum performance from this machine, this maintenance schedule must be strictly followed.

Ongoing

To maintain a low risk of injury and proper machine operation, if you ever observe any of the items below, shut down the machine immediately and fix the problem before continuing operations:

- Loose mounting bolts.
- Dust or debris on and around machine.
- Dull or damaged cutterhead knives/inserts.
- Unprotected cast-iron surfaces.
- Worn or damaged wires.
- Any other unsafe condition.

Monthly Check

- Clean and lubricate fence pivot points (**Page 36**).
- Poly-V belt tension, damage, or wear.
- Clean/vacuum dust buildup from inside stand and off of motor.

Cleaning & Protecting

The cleaning process for this machine is simple. Vacuum excess wood chips and sawdust, and wipe off the remaining dust with a dry cloth. If any resin has built up, use a resin dissolving cleaner to remove it. Treat all unpainted cast iron and steel with a non-staining lubricant after cleaning.

Protect the unpainted cast iron surfaces on the table by wiping the table clean after every use—this ensures moisture from wood dust does not remain on bare metal surfaces.

Keep tables rust-free with regular applications of products like G96® Gun Treatment, SLIPIT®, or Boeshield® T-9.

G5562—SLIPIT® 1 Qt. Gel

G5563—SLIPIT® 12 Oz. Spray

G2871—Boeshield® T-9 12 Oz. Spray

G2870—Boeshield® T-9 4 Oz. Spray

H3788—G96® Gun Treatment 12 Oz. Spray

H3789—G96® Gun Treatment 4.5 Oz. Spray



Figure 31. Recommended products for protecting unpainted cast iron and steel.



Lubrication

Since all bearings are sealed and permanently lubricated, simply leave them alone until they need to be replaced. DO NOT lubricate them.

It is essential to clean components before lubricating them because dust and chips build up on lubricated components and make them hard to move. Simply adding more grease to them will not yield smooth-moving components.

Item(s) Needed:	Qty
Pump-Type Oil Can	1
Mineral Spirits.....	As Needed
Clean Shop Rags	As Needed

Fence & Carriage

Oil Type	Grizzly T27914 or ISO 68 Equivalent
Oil Amount.....	1–2 Drops
Lubrication Frequency....	Monthly, or As Needed

Clean fence pivot points and carriage ways (see **Figure 32**) with mineral spirits and shop rags, allow to dry, then lubricate with light machine oil. Wipe off excess oil.

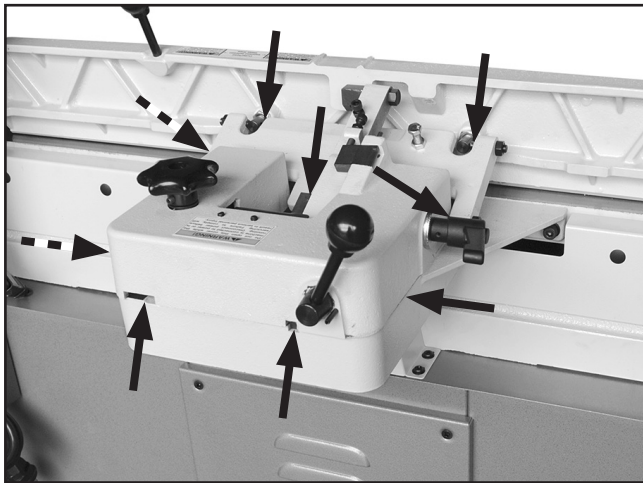


Figure 32. Fence and carriage lubrication locations.

T27914—Moly-D Machine & Way Oil ISO 68
Moly-D oils are some of the best we've found for maintaining the critical components of machinery because they tend to resist run-off and maintain their lubricity under a variety of conditions—as well as reduce chatter or slip.



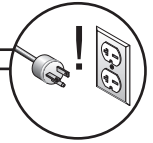
Figure 33. T27914 Moly-D Machine & Way Oil.



SECTION 7: SERVICE

Review the troubleshooting procedures in this section if a problem develops with your machine. If you need replacement parts or additional help with a procedure, call our Technical Support. **Note:** *Please gather the serial number and manufacture date of your machine before calling.*

Troubleshooting



Motor & Electrical

Symptom	Possible Cause	Possible Solution
Machine does not start or a breaker trips immediately after startup.	<ol style="list-style-type: none"> 1. Incorrect power supply voltage/circuit size. 2. Power supply circuit breaker tripped/fuse blown. 3. Motor wires connected incorrectly. 4. Wiring open/has high resistance. 5. ON/STOP switch at fault. 6. Start capacitor at fault. 7. Centrifugal switch at fault. 8. Motor at fault. 	<ol style="list-style-type: none"> 1. Ensure correct power supply voltage/circuit size. 2. Ensure circuit is sized correctly and free of shorts. Reset circuit breaker or replace fuse. 3. Correct motor wiring connections (Page 54). 4. Check/fix broken, disconnected, or corroded wires. 5. Test/replace switch. 6. Test/replace capacitor. 7. Adjust/replace centrifugal switch if available. 8. Test/repair/replace.
Machine stalls or is underpowered.	<ol style="list-style-type: none"> 1. Workpiece material not suitable. 2. Excessive feed rate. 3. Excessive depth of cut. 4. Dull knives/inserts. 5. Belt slipping or pulleys misaligned. 6. Dust collection blockage. 7. Motor overheated. 8. Pulley slipping on shaft. 9. Run capacitor at fault. 10. Centrifugal switch at fault. 11. Motor bearings at fault. 12. Motor at fault. 	<ol style="list-style-type: none"> 1. Ensure workpiece is suitable for jointing (Page 26). 2. Reduce feed rate. 3. Reduce depth of cut (Page 32). 4. Sharpen/replace knives (Page 40); rotate/replace inserts (Page 42). 5. Tension/replace belt (Page 51); ensure pulleys are aligned (Page 52). 6. Clear blockages, seal leaks, use smooth-wall duct, eliminate bends, close other branches. 7. Clean motor, let cool, and reduce workload. 8. Tighten/replace loose pulley/shaft, replace shaft key; tighten pulley set screw. 9. Test/repair/replace. 10. Adjust/replace centrifugal switch if available. 11. Test/repair/replace. 12. Test/repair/replace.
Machine has vibration or noisy operation.	<ol style="list-style-type: none"> 1. Mobile base lock knobs loose or stand feet not adjusted properly. 2. Motor or other component loose. 3. Belt worn or loose. 4. Motor fan rubbing on fan cover. 5. Pulley loose or misaligned. 6. Dull knives/inserts. 7. Cutterhead bearings at fault. 8. Centrifugal switch at fault. 9. Motor bearings at fault. 	<ol style="list-style-type: none"> 1. Tighten mobile base lock knobs or adjust stand feet to stabilize machine. 2. Replace missing bolts/nuts, or tighten if loose. 3. Inspect/tension or replace belt (Page 51). 4. Fix/replace fan cover; replace loose/damaged fan. 5. Secure pulley on shaft or realign (Page 52). 6. Sharpen/replace knives (Page 40); rotate/replace inserts (Page 42). 7. Replace bearing(s). 8. Adjust/replace centrifugal switch if available. 9. Test/repair/replace.



Machine Operation

Symptom	Possible Cause	Possible Solution
Table is hard to adjust.	<ol style="list-style-type: none"> 1. Table lock engaged/partially engaged. 2. Table stop blocking movement. 	<ol style="list-style-type: none"> 1. Completely loosen table lock (Page 5). 2. Loosen/reset table stop (Page 33).
Excessive snipe (gouge in end of board that is uneven with rest of cut).	<ol style="list-style-type: none"> 1. Outfeed table set too low. 2. Knives set too high (G0857). 3. Operator pushing down on trailing end of workpiece as it leaves cutterhead. 	<ol style="list-style-type: none"> 1. Align outfeed table with cutterhead knife/insert at top dead center (Page 46). 2. Adjust height of knives evenly with outfeed table (Page 40). 3. Reduce/eliminate downward pressure on trailing end of workpiece as it leaves cutterhead.
Workpiece stops in middle of cut.	<ol style="list-style-type: none"> 1. Outfeed table set too high. 	<ol style="list-style-type: none"> 1. Align outfeed table with cutterhead knife/insert at top dead center (Page 46).
Workpiece chipping, tear-out, indentations, or overall rough cuts.	<ol style="list-style-type: none"> 1. Workpiece not suitable for jointing. 2. Operator not feeding workpiece to cut "with" the grain. 3. Feed rate too fast. 4. Excessive depth of cut. 5. Dull knives/inserts. 6. Dust collection problems. 	<ol style="list-style-type: none"> 1. Ensure workpiece is suitable for jointing (Page 26). 2. Turn workpiece 180° before feeding again. 3. Reduce feed rate. 4. Reduce depth of cut. 5. Sharpen/replace knives (Page 40); rotate/replace inserts (Page 42). 6. Clear blockages, seal leaks, move machine closer to dust collector, upgrade dust collector.
Fuzzy grain left in workpiece.	<ol style="list-style-type: none"> 1. Wood has high moisture content. 2. Dull knives/inserts. 	<ol style="list-style-type: none"> 1. Ensure wood moisture content is less than 20%. Allow to dry if necessary. 2. Sharpen/replace knives (Page 40); rotate/replace inserts (Page 42).
Long lines or ridges that run along length of workpiece.	<ol style="list-style-type: none"> 1. Nicked or chipped knives/inserts. 2. Inserts not consistently tightened/torqued (G0858). 3. Dirt or debris under inserts (G0858). 	<ol style="list-style-type: none"> 1. Replace knives (Page 40); rotate/replace inserts (Page 42). 2. Tighten/torque all inserts consistently when rotating/replacing (Page 42). 3. Remove inserts, properly clean mounting pocket and re-install (Page 42).
Uneven cutter marks, wavy surface, or chatter marks across face of workpiece.	<ol style="list-style-type: none"> 1. Feeding workpiece too fast. 2. Knives not properly adjusted (G0857). 3. Dirt or debris under inserts (G0858). 	<ol style="list-style-type: none"> 1. Reduce feed rate. 2. Properly adjust knives (Page 40). 3. Remove inserts, properly clean mounting pocket, and re-install (Page 42).
Glossy surface; scorching or burn marks on workpiece.	<ol style="list-style-type: none"> 1. Feed rate too slow. 2. Dull knives/inserts. 	<ol style="list-style-type: none"> 1. Increase feed rate. 2. Sharpen/replace knives (Page 40); rotate/replace inserts (Page 42).
Workpiece is concave or convex along its length after jointing.	<ol style="list-style-type: none"> 1. Workpiece not held with even pressure against outfeed table during cut. 2. Workpiece excessively bowed or warped, not suitable for jointing. 3. Tables are not parallel with cutterhead and each other. 	<ol style="list-style-type: none"> 1. Apply even downward pressure against workpiece throughout entire travel along outfeed side during cut. 2. Ensure workpiece is suitable for jointing (Page 26). 3. Check/adjust table parallelism (Page 43).
Workpiece edges not square; tapered cut produced.	<ol style="list-style-type: none"> 1. Fence not square to table(s); fence tilt unlocked. 2. Knives not properly adjusted (G0857). 3. Inserts not consistently tightened/torqued (G0858). 4. Warped infeed or outfeed table. 	<ol style="list-style-type: none"> 1. Square fence to table(s) (Page 48); lock fence. 2. Properly adjust knives (Page 40). 3. Tighten/torque all inserts consistently when rotating/replacing (Page 42). 4. Regrind/replace table.



Setting/Replacing Knives (G0857)

Setting the knives correctly is crucial to the proper operation of the jointer and it plays an important role in keeping the knives sharp. If one knife is higher than the others, it will do the majority of the work, and thus, become dull much faster.

The cutterhead on this jointer comes with both jack screws and springs for setting knife height. Which one you choose is a matter of personal preference. However, *only one of these options is needed to set the knives.*

There are two options for setting the knives—the straightedge method and the knife-setting jig method. Each option has advantages and disadvantages; the correct one for you will be a matter of personal preference. For best results, the tables must be parallel with each other (refer to **Checking/Adjusting Table Parallelism**) and the outfeed table height must be properly set (refer to **Setting Outfeed Table Height**).

Straightedge Method

A high quality straightedge (or Jointer Pal) is held flat against the outfeed table and the knife heights are set to the bottom of the straightedge, as shown. Because the knife projection height from the cutterhead is dependent on the outfeed table height, the outfeed table must be set as described in **Setting Outfeed Table Height** for this method to work correctly.

When using the straightedge method to set the knives, you will not need to move the outfeed table once it is set and you will always be assured that the knives are even with the outfeed table in their highest point of rotation (TDC)—even if the cutterhead is not perfectly parallel with the outfeed table.

Item(s) Needed	Qty
Precision Straightedge or Knife-Setting Jig	1
Hex Wrench 3mm.....	1
Open-End Wrench 10mm.....	1

To check knife height with a straightedge:

1. DISCONNECT MACHINE FROM POWER!
2. Remove cutterhead guard or block it open.
3. Using a straightedge on outfeed table, check height of each knife at positions as shown.

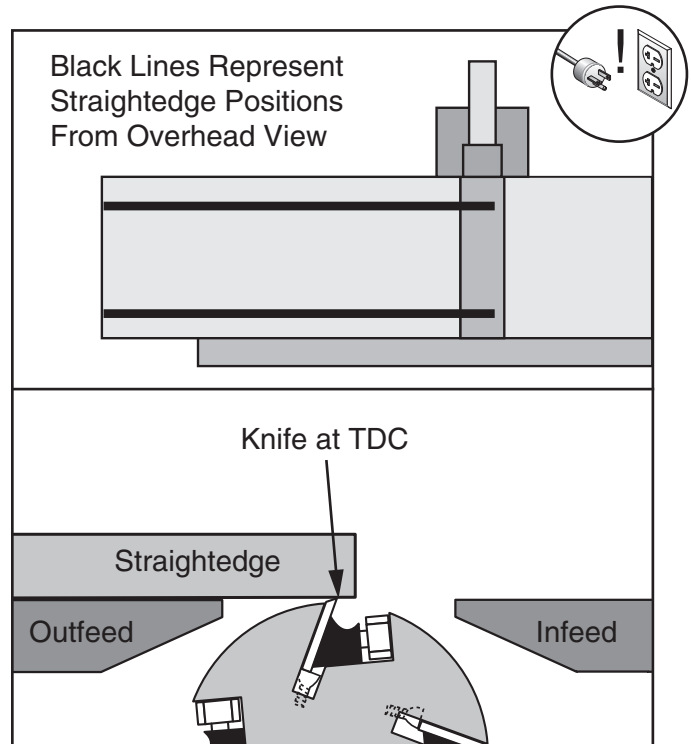


Figure 34. Setting knife height with a straightedge.



Figure 35. Setting knife height with a Jointer Pal®.

- Knives are set correctly when they just touch bottom of straightedge at TDC in each of straightedge positions.
- If knives do not touch straightedge or they lift up at any position, then those knives need to be adjusted (refer to **Setting/Replacing Knives** on Page 40).



Knife-Setting Jig Method

The infeed table is lowered to fit the jig on the cutterhead, as shown, and the knife heights are set to just touch the middle pad of the jig. The knife-setting jig included with the jointer is designed to set all the knives evenly and at the correct height in the cutterhead.

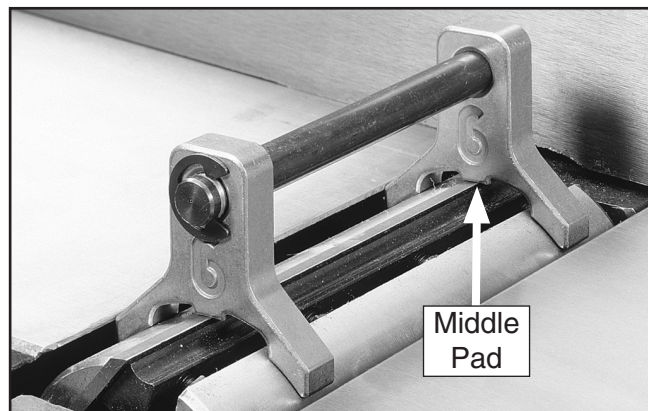


Figure 36. Example of knife-setting jig positioned over cutterhead knife.

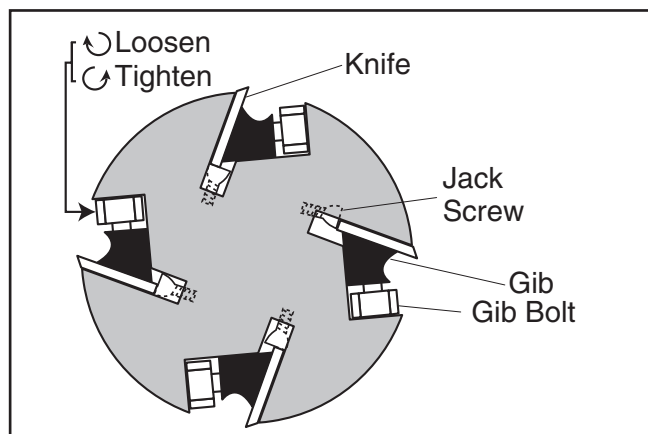


Figure 37. Cutterhead profile diagram.

To check knife height with a knife-setting jig:

1. DISCONNECT MACHINE FROM POWER!
2. Remove cutterhead guard or block it open.
3. Lower infeed table to $\frac{1}{2}$ " scale mark.
4. Place knife jig on cutterhead, directly over a knife.

5. Closely examine how jig touches cutterhead and knife. Knife is set correctly when, on each side of cutterhead, both legs of jig sit firmly on cutterhead body and middle pad of jig just touches top edge of knife.

— If jig does not sit as described, then that knife must be reset. Repeat this inspection with other knives before resetting. (Refer to **Setting/Replacing Knives** section below.)

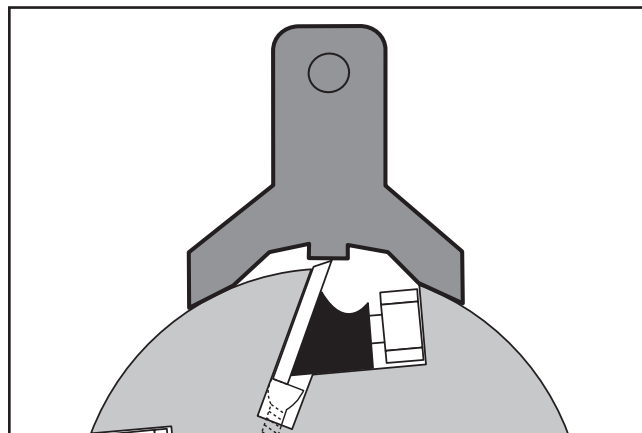


Figure 38. Using knife-setting jig to set knife height.

Setting/Replacing Knives

1. DISCONNECT MACHINE FROM POWER!
2. Remove cutterhead guard from table and lower infeed table to $\frac{1}{2}$ " on depth-of-cut scale. This will provide unrestricted access to cutterhead.
3. Remove cabinet rear access panel to expose cutterhead pulley.
4. Rotate cutterhead pulley to provide good access to cutterhead knives.



- Loosen cutterhead gib bolts, starting in the middle, and alternating back and forth until all gib bolts are loose, but not falling out.

The first time you set or replace a knife, remove the gib and knife from cutterhead. Clean gib and clean inside cutterhead slot to remove all pitch or sawdust. Coat knife and gib with a metal protectant.

- Position knife jig over knife. Loosen gib bolts until knife is completely loose.
- Jack Screws**—Access jack screws through holes in cutterhead (see **Figure** below). Using a hex wrench, rotate jack screws to raise or lower knife. When knife is set correctly, it will barely touch the bottom of the straightedge or the middle pad of the knife jig. Snug gib bolts just tight enough to hold knife in place. Repeat with remaining knives.

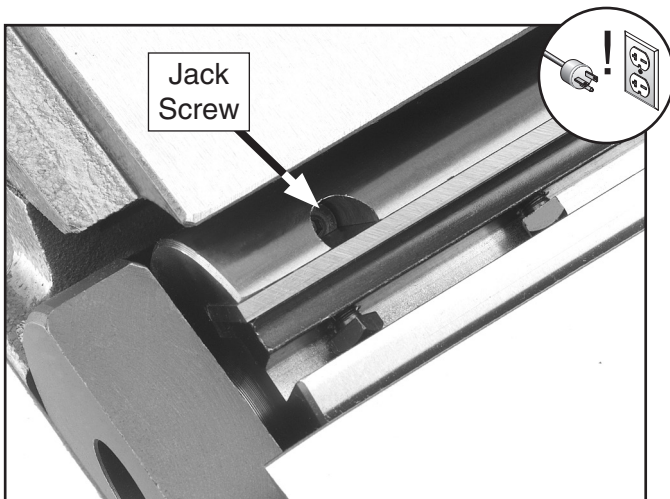


Figure 39. Location of jack screw access hole.

Springs—Push knife down with straight-edge or middle pad of knife-setting jig (see **Figure** below). Keep straightedge flat against outfeed table. If using jig, keep feet pressed evenly against cutterhead. Tighten gib bolts just enough to hold knife in place. Repeat with remaining knives.

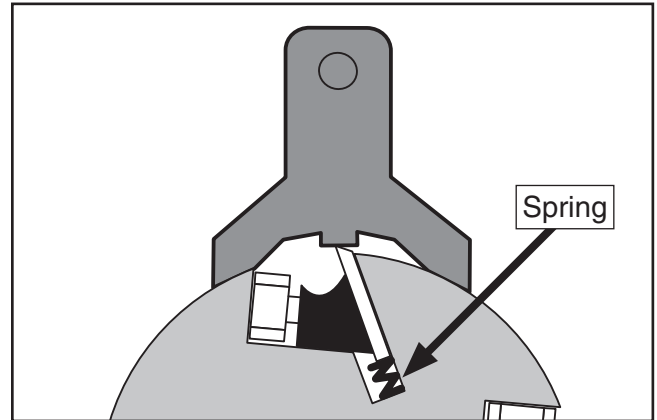


Figure 40. Location of spring.

- Rotate cutterhead to reveal the first knife you started with. Lightly snug all gib bolts, alternating from one side to the other, and working from the ends to the middle. Repeat with remaining knives.

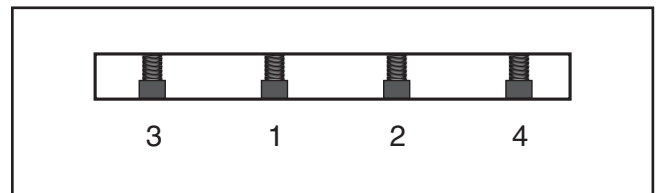


Figure 41. Gib bolt tightening sequence.

- Tighten each gib bolt in the same alternating manner as you did in the previous step.
- Make sure outfeed table is set even with the new knives at top dead center.
- Replace cutterhead guard and cabinet rear access panel.



Rotating/Replacing Helical Cutterhead Inserts (G0858)

The helical cutterhead is equipped with 4-sided indexable carbide inserts. Each insert can be removed, rotated, and re-installed to use any one of its four cutting edges. Therefore, if one cutting edge becomes dull or damaged, simply rotate it 90° (as shown below) to use a sharp cutting edge.

The inserts have a reference dot on one corner. The position of the reference dot on installed inserts can be used to track which edges are sharp/unused and which edges are dull or damaged. Replace inserts once the reference dot has been rotated back to its original position.

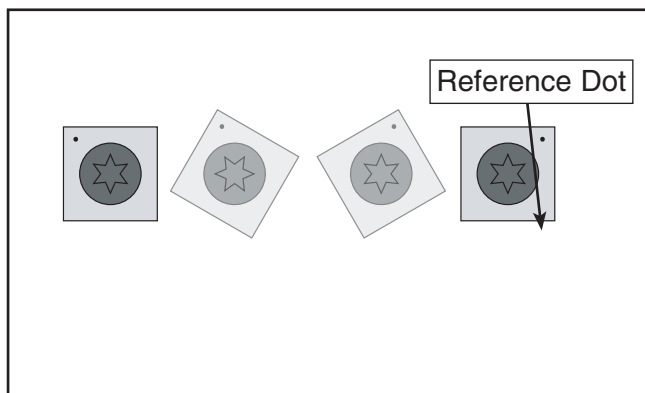


Figure 42. Insert rotating sequence.

Item(s) Needed	Qty
Carbide Inserts 15 x 15 x 2.5mm	As Needed
Torx Head Screws T-25 #10-32 x 1/2"	As Needed
Torque Wrench	1
T-25 Torx Bit	1

To rotate or replace helical cutterhead insert:

1. DISCONNECT MACHINE FROM POWER!
2. Remove cutterhead guard from table, and lower infeed table as far down as it will go.
3. Remove cover to get access to cutterhead pulley.
4. Taking care not to pinch your hand between belt and pulley, rotate pulley as needed to make inserts accessible for removal.
5. Put on heavy leather gloves to protect fingers and hands.
6. Carefully clean away all sawdust or debris from top of insert, Torx screw, and surrounding area (see **Figure** below).

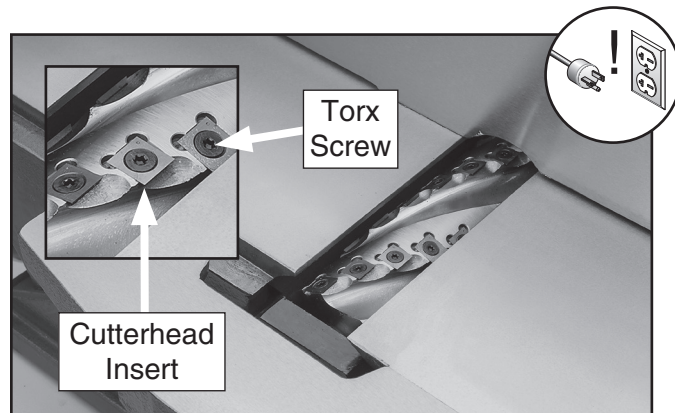


Figure 43. Example of cutterhead inserts and Torx screws.



- Remove Torx screw and insert, then carefully clean away all dust and debris from insert and insert pocket in cutterhead.

IMPORTANT: This step is critical for achieving a smooth finish with cutting operations. Dirt or dust trapped under insert during installation will slightly raise insert in cutterhead, which will leave marks on workpiece after jointing.

Tip: Use low-pressure compressed air or a vacuum nozzle to clean cutterhead pocket.

- Re-install insert with a sharp cutting edge facing outward. Make sure insert is properly seated in cutterhead pocket before securing.

—If all four insert cutting edges have been used, replace insert with a new one. Always position reference dot in same position when installing a new insert to aid in rotational sequencing.

- Lubricate Torx screw threads with a small amount of light machine oil, wipe excess off, and torque screw to 48–50 inch/pounds.

IMPORTANT: If too much oil is applied to the threads, excess will attempt to squeeze out of threaded hole as you install insert and force it

Checking/Adjusting Table Parallelism

If the tables are not parallel with the cutterhead and each other, then poor cutting results and kick-back can occur.

Item(s) Needed	Qty
Precision Straightedge 3'	1
Open-End Wrench 16mm	1
Hex Wrenches 3, 5mm	1 Ea.

Checking Outfeed Table

- DISCONNECT MACHINE FROM POWER!
- Remove cutterhead guard, fence assembly, and rear access panel on stand.
- Loosen outfeed table lock located at front of machine, and loosen jam nuts and stop bolts located under outfeed table (see **Figure 44**).

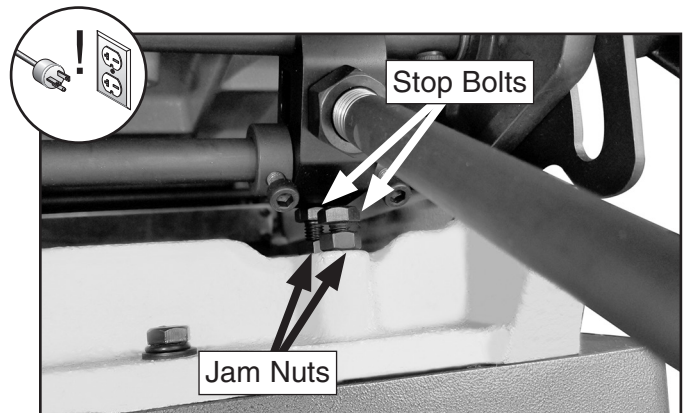


Figure 44. Location of outfeed table stop bolts and jam nuts.

- Rotate motor pulley so that you can access cutterhead body with straightedge between the knives/inserts, as shown in **Figure 45**.

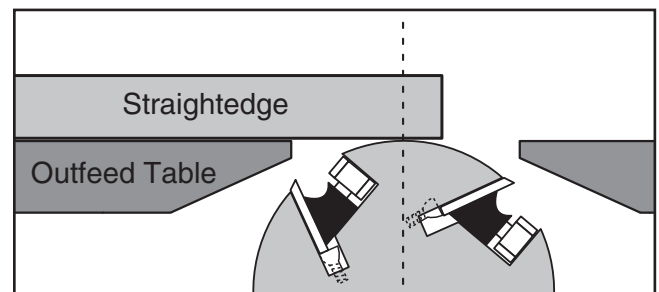


Figure 45. Adjusting outfeed table even with cutterhead body (knife-style cutterhead shown).



5. Place straightedge on outfeed table so it hangs over cutterhead, then lower outfeed table until straightedge just touches cutterhead body.
6. Place straightedge in positions shown in **Figure 46**. In each position, straightedge should touch cutterhead and sit flat on outfeed table.

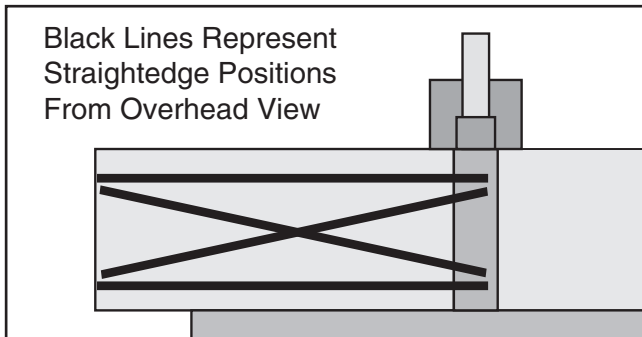


Figure 46. Straightedge positions for verifying if outfeed table is parallel with cutterhead.

- If straightedge touches cutterhead body and sits flat across outfeed table in all positions, then outfeed table is already parallel with cutterhead. Follow the **Checking Infeed Table** instructions on **This Page**.
- If straightedge *does not* touch cutterhead body and sit flat across outfeed table in any of the positions, then outfeed table is not parallel with cutterhead. Perform **Adjusting Table Parallelism** procedure on **Page 45**, then perform **Checking Infeed Table** procedure on **This Page**.

Checking Infeed Table

1. Follow all steps for checking outfeed table parallelism to first make sure that outfeed table is parallel with cutterhead.
2. Set outfeed table height (refer to **Setting Outfeed Table Height** on **Page 46**).
3. Rotate cutterhead so knives/inserts will not interfere, then place straightedge on infeed and outfeed tables and adjust infeed table even with outfeed table, as shown in **Figure 47**.

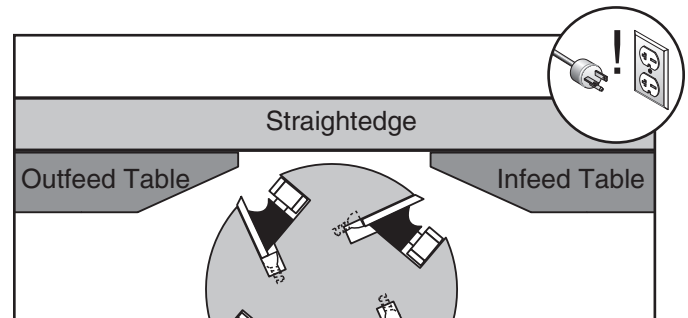


Figure 47. Infeed and outfeed tables set evenly (knife-style cutterhead shown).

4. Place straightedge in the positions shown in **Figure 48**. In each position, straightedge should sit flat against both outfeed table and infeed table.

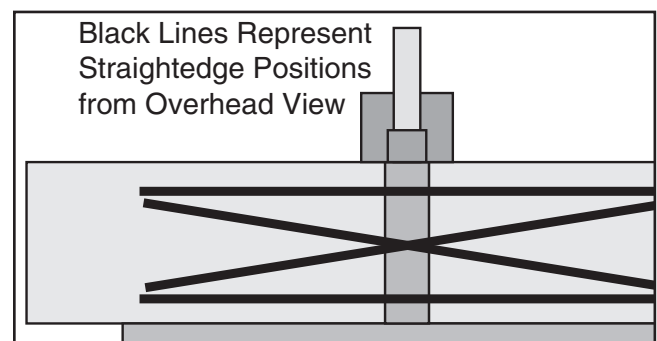


Figure 48. Straightedge positions for checking infeed/outfeed table parallelism.

- If straightedge sits flat against both infeed and outfeed tables in all positions, then tables are parallel. Replace cutterhead guard, fence assembly, and rear access panel on stand.
- If straightedge *does not* sit flat against both infeed and outfeed tables in any of the positions, then perform **Adjusting Table Parallelism** on **Page 45**.



Adjusting Table Parallelism

For safe and proper cutting results, the tables must be parallel to the cutterhead. Adjusting them to be parallel is a task of precision and patience, and may take up to one hour to complete. Luckily, this is considered a permanent adjustment and should not need to be repeated for the life of the machine.

Due to the complex nature of this task, we recommend that you double check the current table positions to make sure that they really need to be adjusted before starting.

Each table has four eccentric bushings on the base underneath that allow the table to be adjusted parallel. Each bushing is locked in place by a set screw.

The correct order for adjusting the table parallelism is to first adjust the outfeed table parallel with the cutterhead, then adjust the infeed table parallel with the outfeed table.

When setting the outfeed table, all measurements MUST be made from the cutterhead body—not the knives/inserts or the results may be skewed.

IMPORTANT: The following steps are intended to be performed directly after the steps involved in checking the outfeed table parallelism. Do not continue until you have performed those steps.

To adjust table parallelism:

1. Place straightedge on outfeed table so it hangs over cutterhead, and lower outfeed table until straightedge just touches cutterhead *body*, as shown in **Figure 49**.

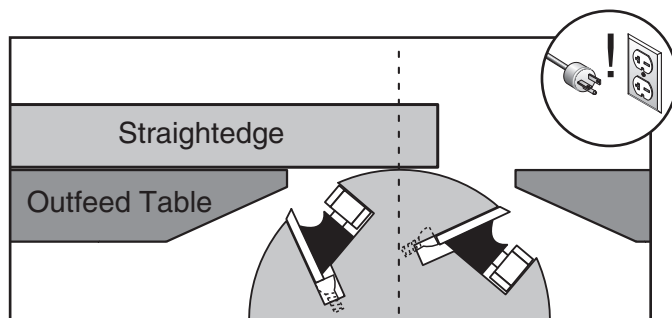


Figure 49. Adjusting outfeed table even with cutterhead body (knife-style cutterhead shown).

2. Remove outfeed table covers by removing plugs (see **Figure 50**) and accessing cap screws that secure covers to table, and then loosen set screws from eccentric bolts under outfeed table (see **Figure 50**).

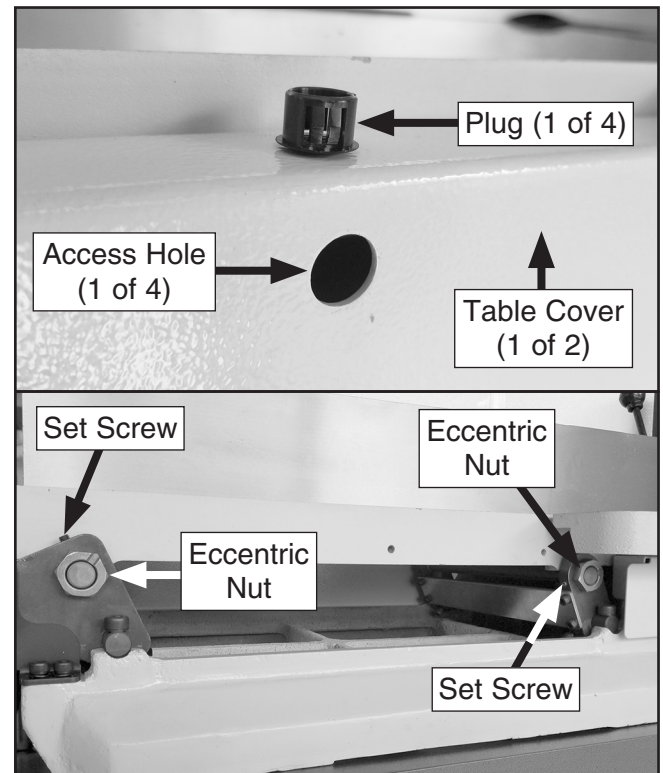


Figure 50. Accessing outfeed eccentric bushing (2 of 4).

3. Place straightedge in one of the positions shown in **Figure 51**, and adjust eccentric bushings so straightedge touches cutterhead body while lying flat across outfeed table (a small hammer and punch may be necessary to turn eccentric bushings).

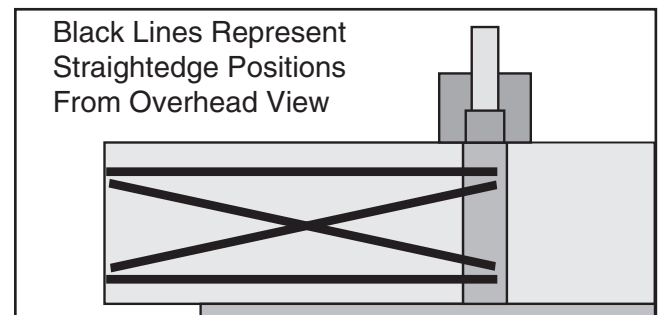


Figure 51. Straightedge positions for verifying if outfeed table is parallel with cutterhead.

4. Repeat **Step 3** with each remaining straightedge position as many times as necessary until outfeed table is parallel with cutterhead.



5. Tighten set screws in eccentric bushings on outfeed table.
6. Remove 1/8" stop release knob and infeed table covers and loosen set screws from each eccentric bushings under infeed table.
7. Place straightedge halfway across infeed and outfeed tables, and adjust infeed table even with outfeed table, as shown in **Figure 52**.

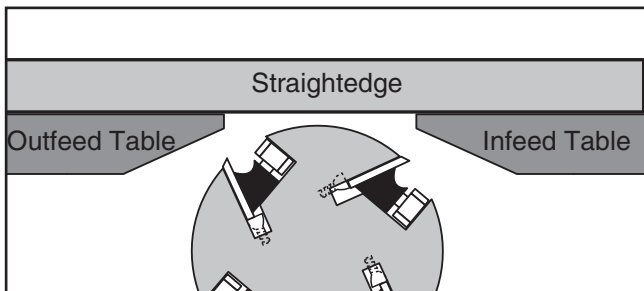


Figure 52. Infeed and outfeed tables set evenly (knife-style cutterhead shown).

8. Place straightedge in one of the positions shown in **Figure 53**, and adjust eccentric bushings under infeed table so straightedge lies flat against both tables.

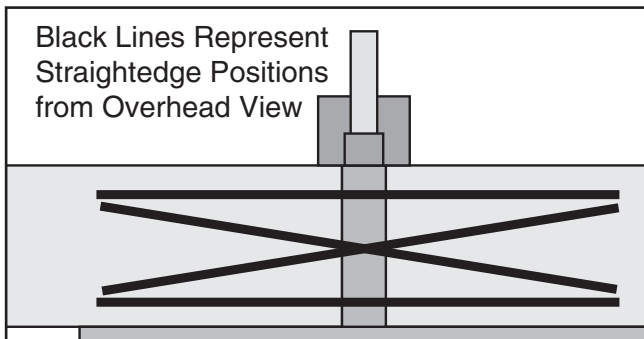


Figure 53. Straightedge positions for checking infeed/outfeed table parallelism.

9. Repeat **Step 8** with each remaining straight-edge position as many times as necessary until infeed table is parallel with outfeed table.
10. Tighten set screws in eccentric bushings on infeed table.
11. Set outfeed table height (refer to **Setting Outfeed Table Height on This Page**).
12. Check/adjust infeed table stop (refer to **Calibrating Infeed Table Stop on Page 47**).

Setting Outfeed Table Height

To help ensure safe operation and best cutting results, set the outfeed table height level with the knives/inserts when they are at top-dead-center (TDC). If the outfeed table is set too low, the workpiece will be tapered from front to back or there will be snipe (a gouge in end of board that is uneven with rest of cut). If the outfeed table is set too high, the workpiece will hit the edge of the outfeed table during operation, increasing the chance of kickback.

Item(s) Needed	Qty
Precision Straightedge 4'.....	1
Open-End Wrench 16mm.....	1

To set outfeed table height:

1. DISCONNECT MACHINE FROM POWER!
2. Remove cutterhead guard, fence, and rear access panel on stand.
3. **G0857 Only:** Make sure knife heights are set correctly (refer to **Setting/Replacing Knives on Page 40**).
4. Loosen outfeed table lock located at front of machine, and loosen jam nuts and positive stop bolts located at side of machine just below outfeed table (see **Figure 54**).

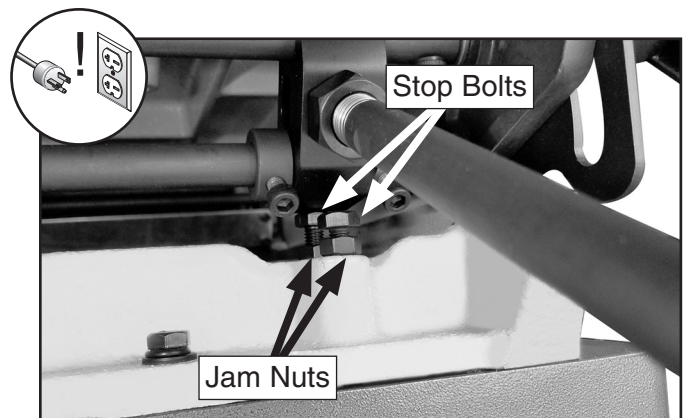


Figure 54. Location of outfeed table stop bolts and jam nuts.

5. Place straightedge on outfeed table so it extends over cutterhead.



6. Use motor pulley to rotate cutterhead until one knife or insert is at TDC (its highest point during rotation), as shown in **Figures 55–56**.
7. Use outfeed table lever to set outfeed table so knife or insert barely touches straightedge, as shown in **Figure 56**.

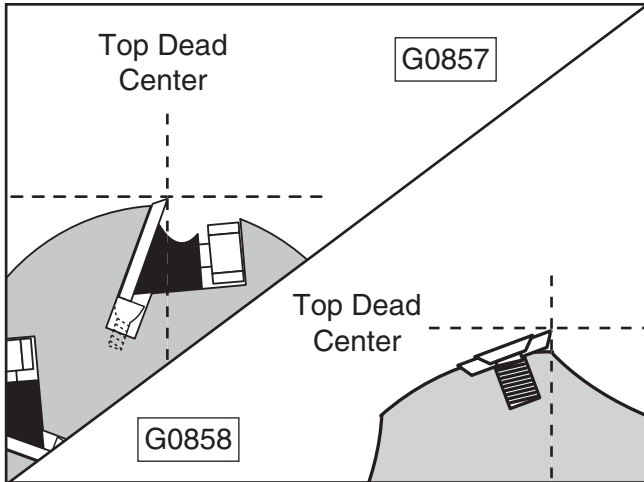


Figure 55. Knife or insert at TDC.

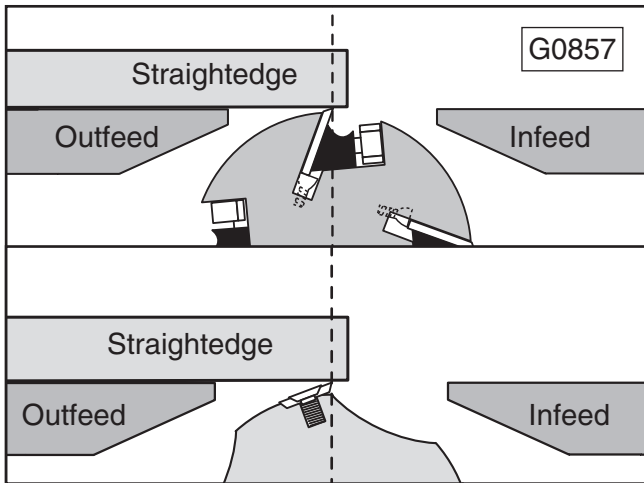


Figure 56. Using straightedge to check outfeed table height.

8. Tighten outfeed table lock located so outfeed table will not move during operation.
9. Re-install cutterhead guard, fence, and rear access panel on stand.
10. Verify proper operation of cutterhead guard (refer to **Checking/Adjusting Cutterhead Guard** on **Page 53** for instructions).

Calibrating 1/8" Infeed Table Stop

The infeed table on the Model G0857/G0858 has a built-in table stop that automatically sets depth of cut at 1/8". It is necessary to adjust this stop if you adjust table parallelism.

Item(s) Needed:	Qty
Precision Straightedge 3'	1
Tape Measure.....	1
Hex Wrench 5mm.....	1

To calibrate the 1/8" infeed table stop:

1. DISCONNECT MACHINE FROM POWER!
2. Remove table release knob by unthreading it (see **Figure 57**), and then remove infeed table covers (see **Figure 57**) by removing plugs and cap screws that secure covers to table.

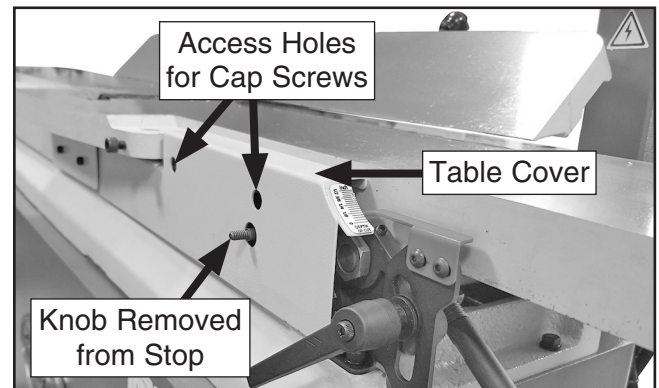


Figure 57. Accessing infeed table stop.



- Loosen jam nut on the $\frac{1}{8}$ " stop bolt (see **Figure 58**), and then rotate stop bolt clockwise a couple turns to move it down, so it will clear the stop plate during adjustment process in later steps.

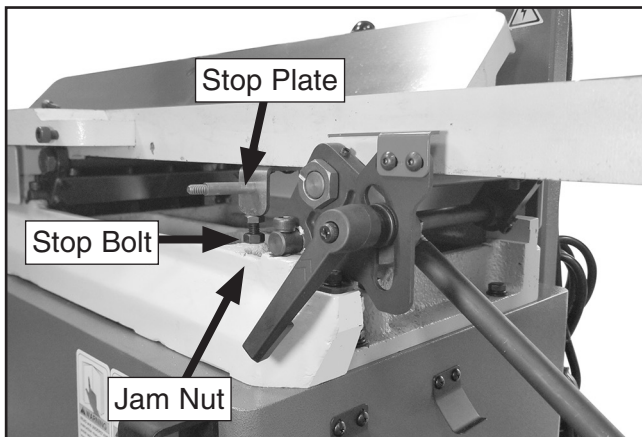


Figure 58. Location of $\frac{1}{8}$ " infeed table stop bolt and jam nut.

- Place straightedge along outfeed table and position it so the end is just over infeed table, then lower infeed table until gap between infeed table and straightedge measures $\frac{1}{8}$ ".

Tip: *It may be easier to have another person help by holding the straightedge in position while you adjust table and measure gap.*

- Rotate stop bolt (see **Figure 58**) counter-clockwise to move it upward until it makes firm contact with stop plate (see **Figure 58**).
- Hold stop bolt in place, and tighten jam nut (see **Figure 58**) down firmly against the casting to secure stop bolt in place.
- Replace table covers and re-install release knob.
- Calibrate depth-of-cut scale (refer to **Calibrating Depth-of-Cut Scale** on **Page 50**).

Setting Fence Stops

The fence stops simplify the task of adjusting the fence to 45° inward, 90° , and 45° outward (135°).

Item(s) Needed:	Qty
Open-End Wrench 14mm.....	1
Sliding Bevel.....	1

Setting 45° Inward Stop

- DISCONNECT MACHINE FROM POWER!
- Loosen fence tilt lock, rotate stop block up, then tilt fence approximately 45° inward onto stop bolt (see **Figure 59**).

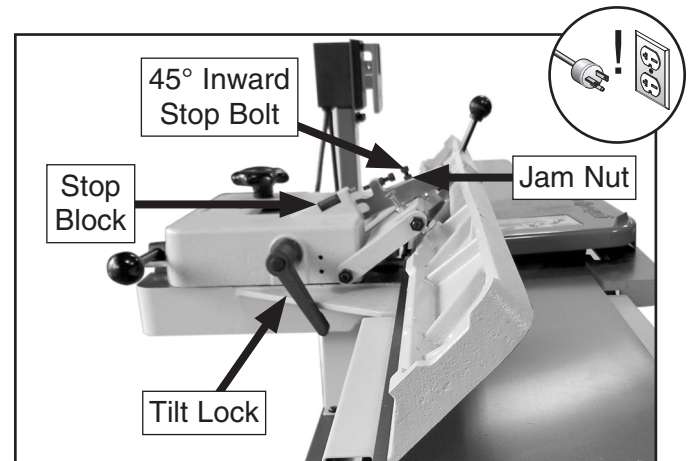


Figure 59. Fence set to 45° inward.

- Place sliding bevel set to 45° against fence and table, as shown in **Figure 60**.

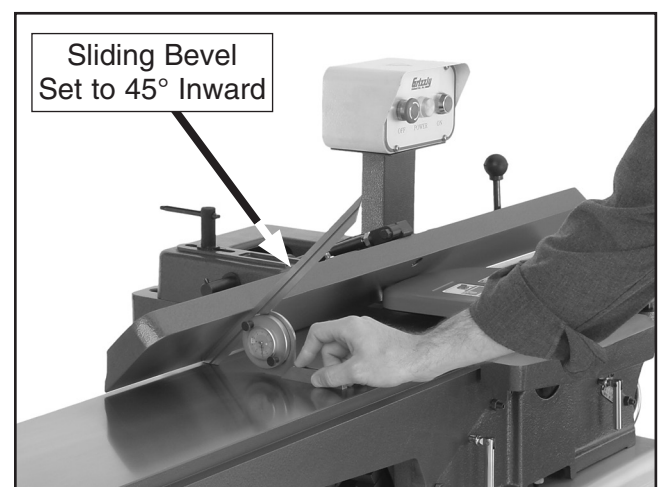


Figure 60. Example of adjusting fence to 45° inward.



- Loosen jam nut on 45° stop bolt and adjust stop bolt until fence is exactly 45° inward while resting on stop bolt (see **Figure 59**). Verify angle, then retighten jam nut.

Setting 90° Stop

- DISCONNECT MACHINE FROM POWER!
- Loosen fence tilt lock, rotate stop block down, and position fence approximately 90° onto stop cap screw (see **Figure 61**).

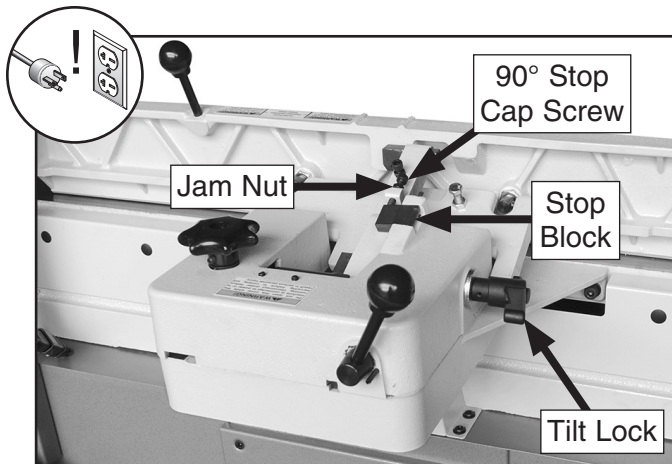


Figure 61. Fence set to 90°.

- Place sliding bevel set to 90° against fence and table, as shown in **Figure 62**.



Figure 62. Example of adjusting fence to 90°.

- Loosen jam nut on 90° stop cap screw and adjust cap screw until fence is exactly 90° while cap screw is resting on stop block (see **Figure 61**). Verify angle, then retighten jam nut.

Setting 45° Outward (135°) Stop

- DISCONNECT MACHINE FROM POWER!
- Loosen fence tilt lock, rotate stop block up, then tilt fence approximately 45° inward onto stop bolt (see **Figure 63**).

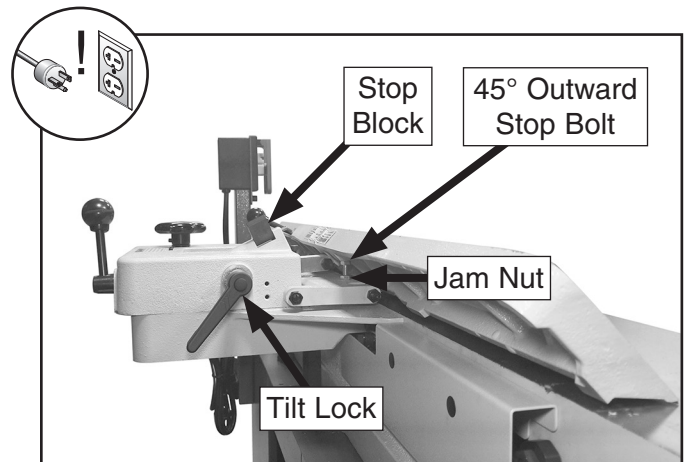


Figure 63. Fence set to 45° outward.

- Place sliding bevel set to 135° against fence and table, as shown in **Figure 64**.

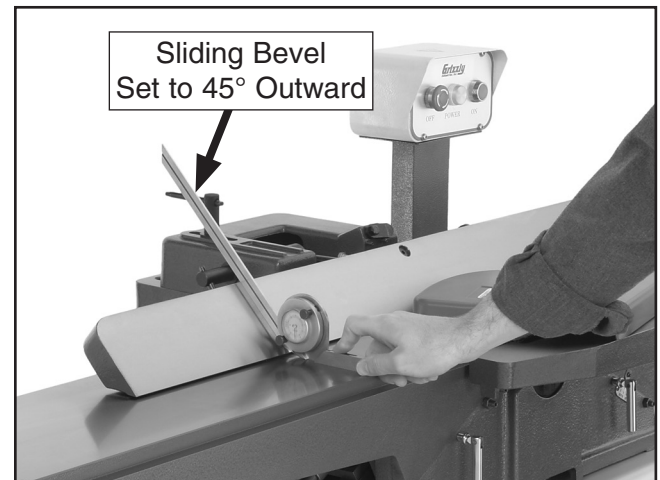


Figure 64. Example of adjusting fence 45° outward.

- Loosen jam nut on 45° stop bolt and adjust stop bolt until fence is exactly 45° outward while resting on stop bolt (see **Figure 63**). Verify angle, then retighten jam nut.



Calibrating Depth-of-Cut Scale

For best cutting results, calibrate or "zero" the depth-of-cut scale so cutting depth shown on the scale matches the actual cutting depth (per pass).

Item(s) Needed:	Qty
Precision Straightedge 4'.....	1
Hex Wrench 3mm.....	1

To calibrate the depth-of-cut scale:

1. DISCONNECT MACHINE FROM POWER!
2. Make sure outfeed table height is set correctly (refer to **Setting Outfeed Table Height** on **Page 46**).
3. Place a straightedge across infeed and outfeed tables.
4. Adjust the infeed table until it is even with the outfeed table (see **Figure 65**).

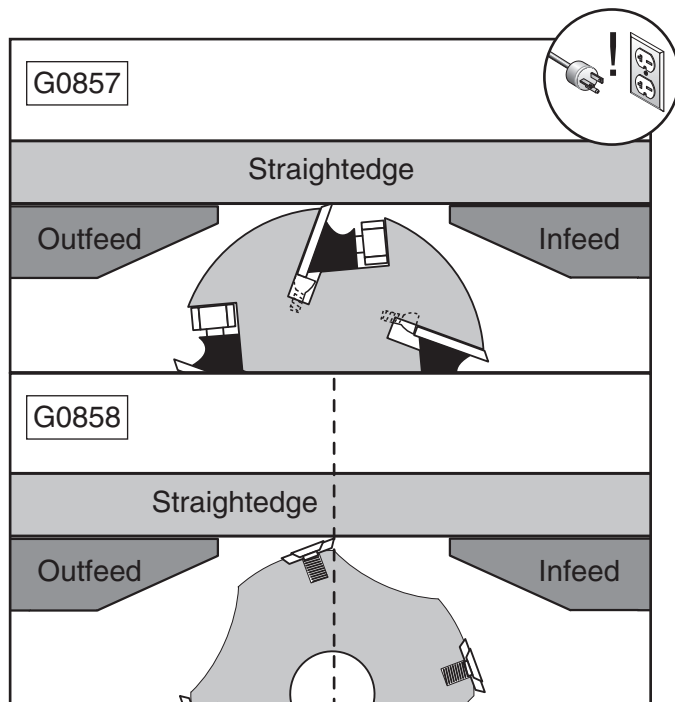


Figure 65. Infeed table even with outfeed table.

5. Loosen button head screws, adjust scale pointer to "0," then re-tighten screws (see **Figure 66**).

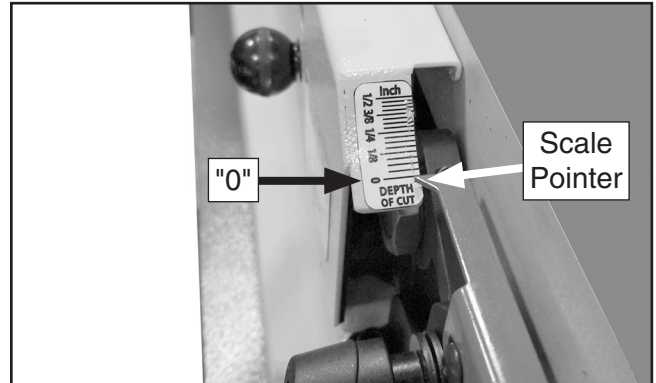


Figure 66. Depth-of-cut scale set to "0."



Tensioning/ Replacing Belt

To ensure optimum power transmission from the motor to the cutterhead, the belt must be in good condition (free from cracks, fraying and wear) and properly tensioned.

NOTICE

After approximately 16 hours of operation, belts will stretch and seat into pulley grooves. The belts need to be re-tensioned after this initial break-in period to ensure optimum power transfer and maximum overall life of the belts.

Item(s) Needed	Qty
Replacement Belt (P0857136).....	1
Phillips Screwdriver #2	1
Open-End or Socket Wrench 13mm	1

Tensioning Belt

1. DISCONNECT MACHINE FROM POWER!
2. Remove rear access panel on stand.
3. Loosen motor mount fasteners shown in **Figure 67**. DO NOT completely remove motor mount fasteners.

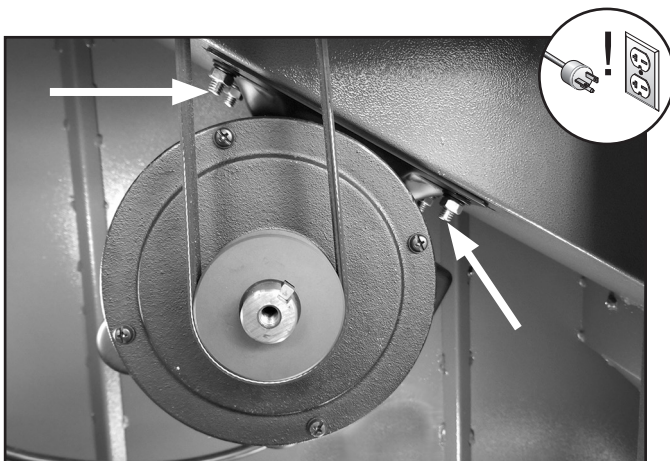


Figure 67. Location of motor mount fasteners (3 of 4 shown).

4. Press down on motor to keep tension on belt.

CAUTION

Belts and pulleys will be hot after operation. Allow them to cool before handling.

5. Press belt with moderate pressure in center to check belt tension. Belt is correctly tensioned when there is approximately $\frac{1}{4}$ " deflection when pushed, as shown in **Figure 68**.

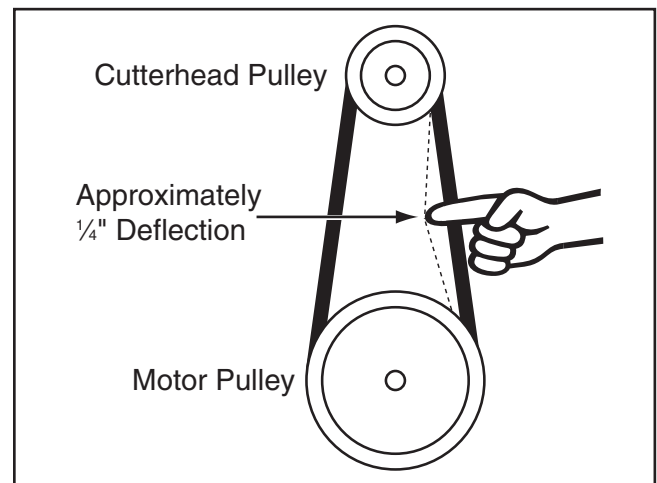


Figure 68. Checking belt tension.

— If there is more than $\frac{1}{4}$ " deflection when you check belt tension, repeat the tensioning procedure until it is correct.

6. Tighten motor mount bracket fasteners (see **Figure 67**), and replace rear access panel.

Replacing Belt

1. DISCONNECT MACHINE FROM POWER!
2. Remove fence, belt cover and rear access panel on stand.,
3. Loosen motor mount bracket fasteners shown in **Figure 67**.
4. Use a 2x4 as leverage to lift motor as you remove belt and replace it with a new one. Make sure belt is seated in pulley groove.
5. Follow **Steps 4–5 in Tensioning Belt** procedure to set correct belt tension.
6. Tighten motor mount fasteners (see **Figure 67**), and replace rear access panel.



Checking/Aligning Pulleys

Pulley alignment is an important factor in power transmission and belt life. The pulleys should be parallel to each other and in the same plane (coplanar) for optimum performance.

Each pulley can be adjusted by loosening the set screw that secures the pulley to the shaft, sliding the pulley in/out, and retightening the set screw to lock the pulley in place.

Item(s) Needed	Qty
Precision Straightedge (Optional).....	1
Hex Wrench 3mm.....	1
Phillips Head Screwdriver #2	1

To align pulleys:

1. DISCONNECT MACHINE FROM POWER!
2. Remove fence, belt cover, and rear access panel on stand.
3. Look down length of belt and pulley faces to check pulley alignment (see **Figures 69–70**). If available use a narrow straightedge against pulley faces to check alignment.

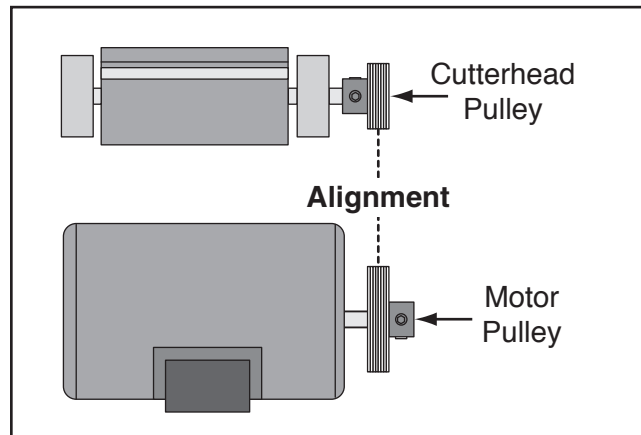


Figure 70. Proper pulley alignment.

- If pulleys *are* aligned, proceed to **Step 7**.
- If pulleys *are not* aligned, perform **Steps 4–6**.

4. Remove belt (refer to **Tensioning/Replacing Belt of Page 51**).
5. Loosen motor pulley set screw and cutterhead pulley set screw, and then align both pulleys. (Use straightedge if needed.)
6. Tighten set screws, replace belt, and repeat **Step 3** to verify proper pulley alignment. Pulleys should be parallel and aligned, as shown in **Figure 70**, when belt is properly tensioned.
7. Re-install fence, belt cover, and rear access panel on stand.

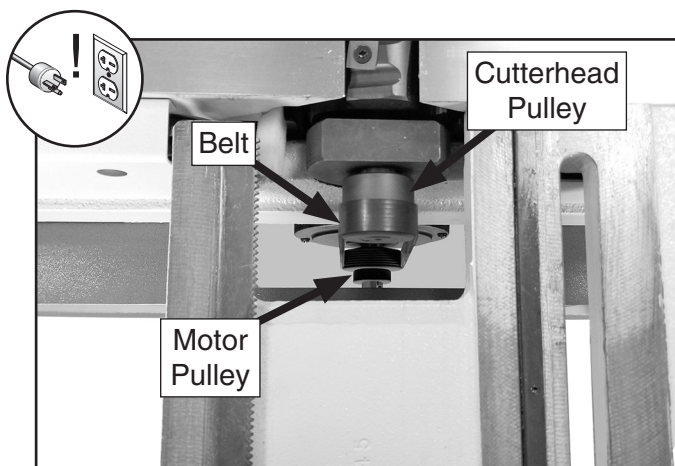


Figure 69. Checking pulley alignment (viewed from above).



Checking/Adjusting Cutterhead Guard

!WARNING

The cutterhead guard is a critical safety feature of this jointer. You **MUST** install and verify its operation before using the jointer! Failure to properly install this guard will greatly increase the risk of serious personal injury.

The cutterhead guard is designed to reduce the risk of accidental contact with hands or fingers with the spinning cutterhead. When properly installed and functioning correctly, the guard automatically rotates clear of the cutterhead during the cutting operation and then springs back over the cutterhead as soon as the operation is complete.

In order to function as intended, the guard must be installed as low as possible over the infeed table without actually touching it (approximately $\frac{1}{16}$ " above infeed table), and it must have enough spring tension at the mounting shaft to quickly reposition itself against the fence after it is rotated away from the cutterhead and released. Before performing rabbeting operations, adjust guard height to just clear outfeed table.

To check/adjust cutterhead guard for proper operation:

1. DISCONNECT MACHINE FROM POWER!
2. Set fence to 90° and move it all the way back, then pull cutterhead guard (see **Figure 71**) and let it go.
 - If cutterhead guard *springs* back over cutterhead, *contacts* fence, and *does not drag* across infeed table, then it is properly adjusted.
 - If cutterhead guard *does not spring* back over cutterhead, *does not contact* fence, or *drags* across infeed table, then proceed to **Step 3**.
3. Loosen shaft lock (see **Figure 71**). Move guard so it is resting against fence, and $\frac{1}{16}$ " above infeed table.

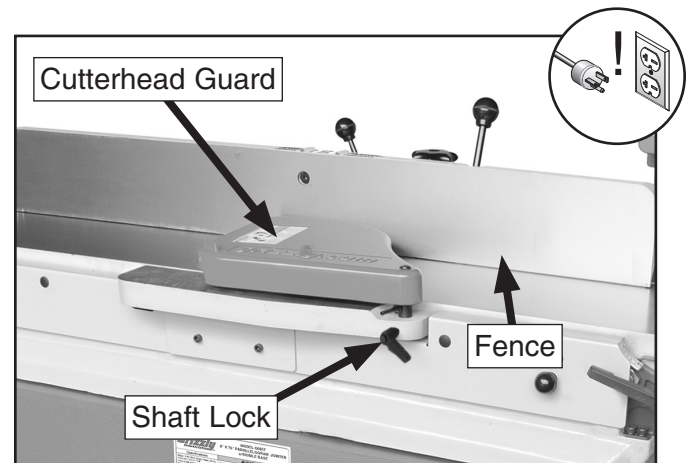


Figure 71. Cutterhead guard components.

4. Holding guard height in place, tighten shaft lock to secure setting.
5. Repeat **Step 2** and, if necessary, repeat **Steps 3–4** until cutterhead guard is properly adjusted.



SECTION 8: WIRING

These pages are current at the time of printing. However, in the spirit of improvement, we may make changes to the electrical systems of future machines. Compare the manufacture date of your machine to the one stated in this manual, and study this section carefully.

If there are differences between your machine and what is shown in this section, call Technical Support at (570) 546-9663 for assistance BEFORE making any changes to the wiring on your machine. An updated wiring diagram may be available. **Note:** *Please gather the serial number and manufacture date of your machine before calling. This information can be found on the main machine label.*

WARNING

Wiring Safety Instructions

SHOCK HAZARD. Working on wiring that is connected to a power source is extremely dangerous. Touching electrified parts will result in personal injury including but not limited to severe burns, electrocution, or death. Disconnect the power from the machine before servicing electrical components!

MODIFICATIONS. Modifying the wiring beyond what is shown in the diagram may lead to unpredictable results, including serious injury or fire. This includes the installation of unapproved after-market parts.

WIRE CONNECTIONS. All connections must be tight to prevent wires from loosening during machine operation. Double-check all wires disconnected or connected during any wiring task to ensure tight connections.

CIRCUIT REQUIREMENTS. You MUST follow the requirements at the beginning of this manual when connecting your machine to a power source.

WIRE/COMPONENT DAMAGE. Damaged wires or components increase the risk of serious personal injury, fire, or machine damage. If you notice that any wires or components are damaged while performing a wiring task, replace those wires or components.

MOTOR WIRING. The motor wiring shown in these diagrams is current at the time of printing but may not match your machine. If you find this to be the case, use the wiring diagram inside the motor junction box.





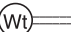








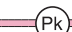
CAPACITORS/INVERTERS. Some capacitors and power inverters store an electrical charge for up to 10 minutes after being disconnected from the power source. To reduce the risk of being shocked, wait at least this long before working on capacitors.

EXPERIENCING DIFFICULTIES. If you are experiencing difficulties understanding the information included in this section, contact our Technical Support at (570) 546-9663.

NOTICE

The photos and diagrams included in this section are best viewed in color. You can view these pages in color at www.grizzly.com.

COLOR KEY

BLACK 	BLUE 	YELLOW 	LIGHT BLUE 
WHITE 	BROWN 	YELLOW GREEN 	BLUE WHITE 
GREEN 	GRAY 	PURPLE 	TURQUOISE 
RED 	ORANGE 	PINK 	



Wiring Diagram

Paddle Switch
(viewed from behind)

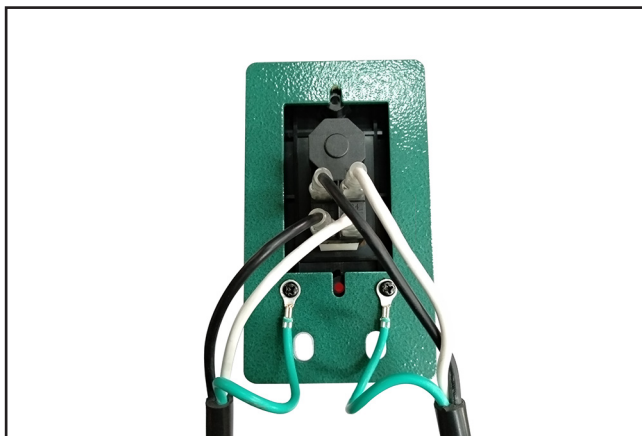
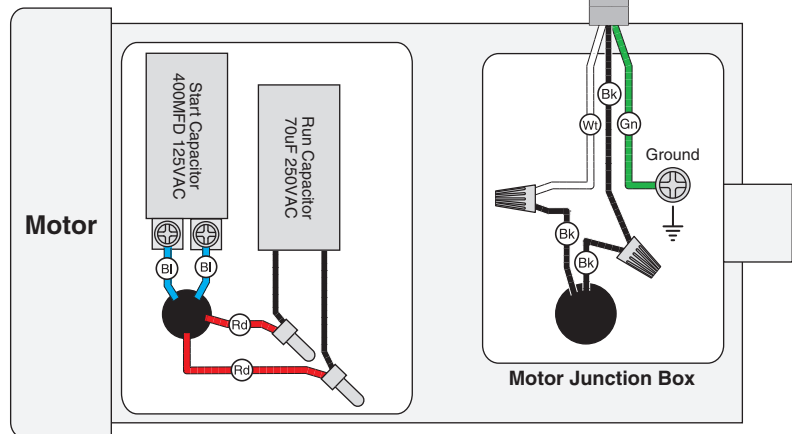
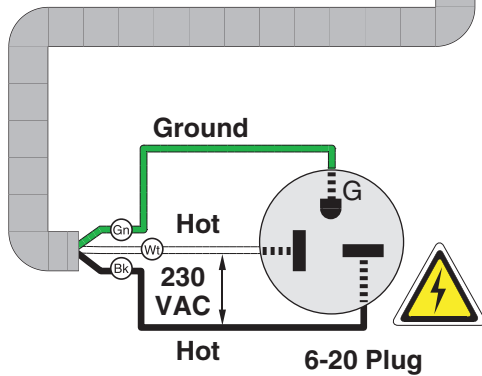
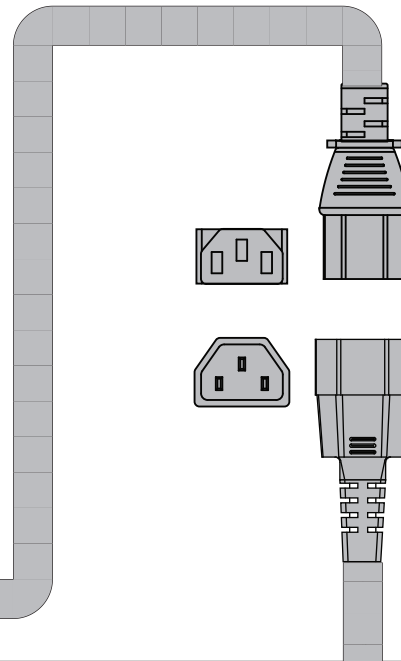
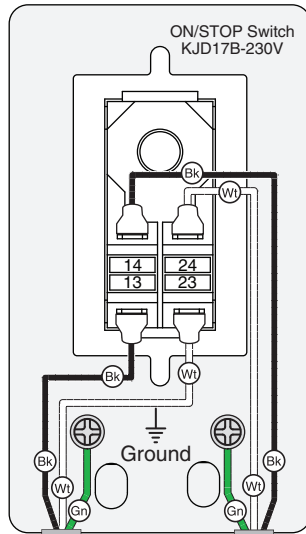


Figure 72. On/Stop switch wiring.

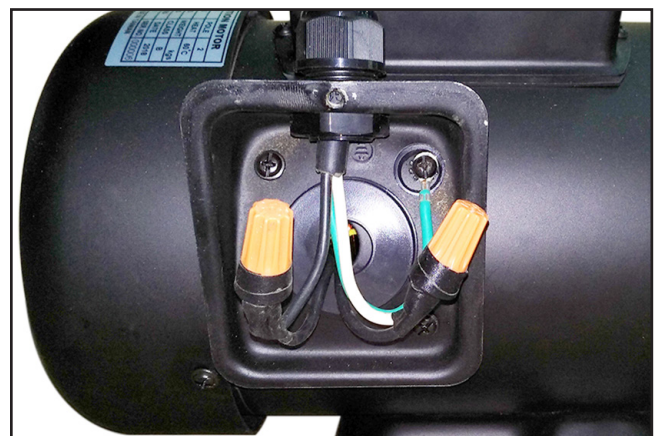


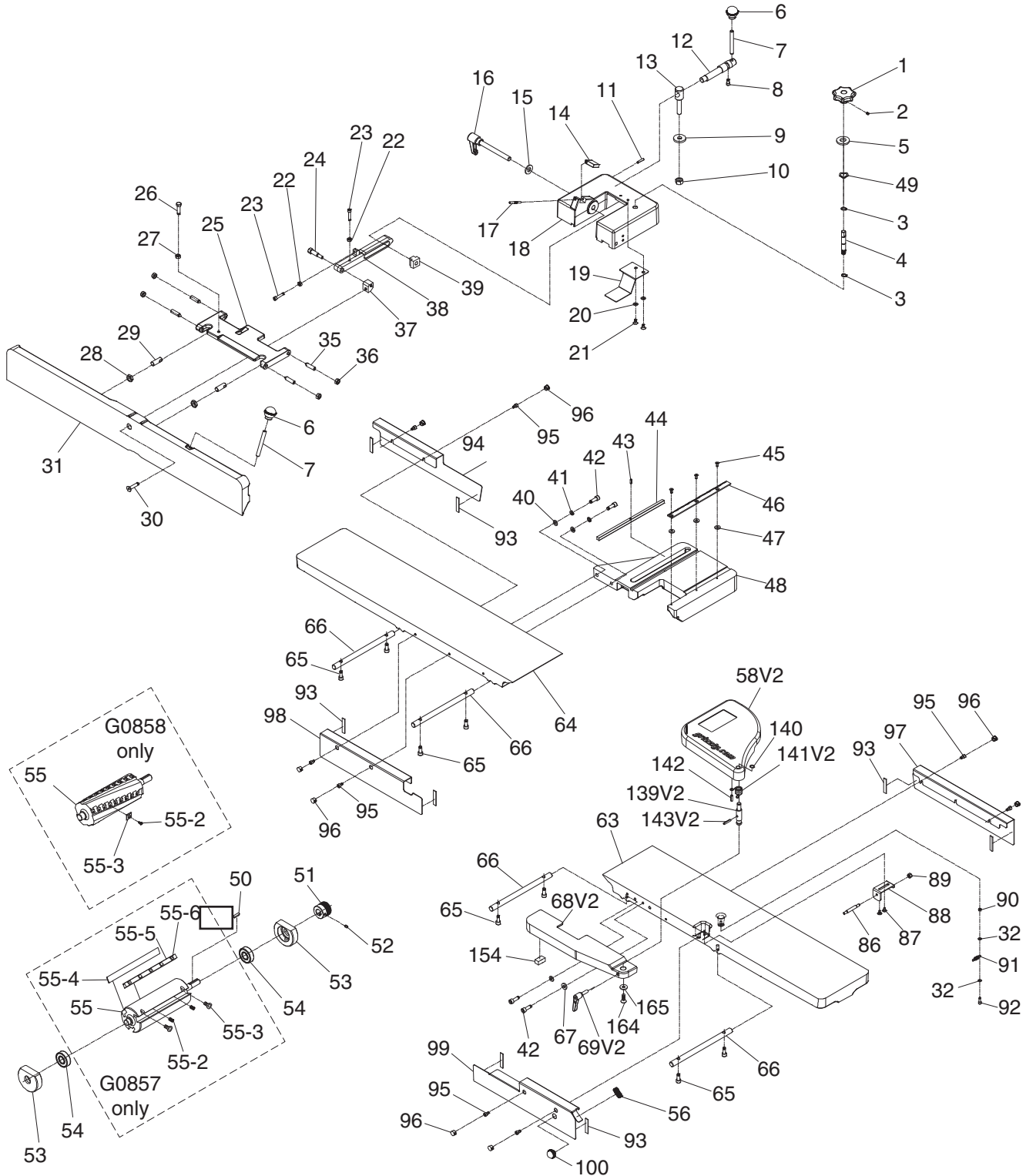
Figure 73. Motor junction box wiring.



SECTION 9: PARTS

We do our best to stock replacement parts when possible, but we cannot guarantee that all parts shown are available for purchase. Call (800) 523-4777 or visit www.grizzly.com/parts to check for availability.

Tables, Fence & Cutterhead



Parts List

REF	PART #	DESCRIPTION	REF	PART #	DESCRIPTION
1	P0857001	KNOB 12ID, M6-1 SET SCREW THREADS	55-3	P0857055-3	FLAT HD CAP SCR M5-.8 X 12 (G0857)
2	P0857002	SET SCREW M6-1 X 6	55-4	P0857055-4	KNIFE 8 X 3/4 X 1/8 HSS (G0857)
3	P0857003	EXT RETAINING RING 12MM	55-5	P0857055-5	KNIFE GIB (G0857)
4	P0857004	GEAR SHAFT 10T, 11 X 78.5MM	55-6	P0857055-6	KNIFE GIB BOLT 1/4-28 X 1/4 (G0857)
5	P0857005	FLAT WASHER 12MM	55	P0858055	8" HELICAL CUTTERHEAD (G0858)
6	P0857006	KNOB 3/8-16, D1-5/16, BALL	55-2	P0858055-2	FLAT HD TORX SCR T-25 10-32 X 1/2 (G0858)
7	P0857007	STUD-DE 3/8-16 X 3-1/8, 3/8	55-3	P0858055-3	CARBIDE INSERT 15 X 15 X 2.5MM (G0858)
8	P0857008	CAP SCREW 1/4-20 X 1/2	56	P0857056	DEPTH SCALE LABEL
9	P0857009	FENDER WASHER 1/2	57	P0857057	PUSH BLOCKS
10	P0857010	LOCK NUT 1/2-12	58V2	P0857058V2	CUTTERHEAD GUARD V2.07.19
11	P0857011	ROLL PIN 4 X 25	59	P0857059	PADDLE MAG SWITCH KJD17B-230V-S
12	P0857012	ECCENTRIC SHAFT 3/8-16, 5-1/4L	63	P0857063	INFEEED TABLE
13	P0857013	CAMLOCK STUD 1/2-12 X 1-1/2, 3-1/2L	64	P0857064	OUTFEED TABLE
14	P0857014	STOP BLOCK	65	P0857065	CAP SCREW M8-1.25 X 25
15	P0857015	FLAT WASHER 1/2	66	P0857066	TABLE SHAFT 9-5/8L
16	P0857016	ADJ HANDLE 3L, 1/2-12 X 1-3/8	67	P0857067	FLAT WASHER 8MM
17	P0857017	DOWEL PIN 5 X 50	68V2	P0857068V2	RABBETING TABLE V2.07.19
18	P0857018	FENCE CARRIAGE	69V2	P0857069V2	CUTTERHEAD GUARD LOCK HANDLE V2.07.19
19	P0857019	SAFETY PLATE	71	P0857071	ECCENTRIC BUSHING
20	P0857020	FLAT WASHER 1/4	72	P0857072	BUSHING PLATE (3-HOLE)
21	P0857021	FLAT HD SCR 1/4-20 X 1/2	73	P0857073	SET SCREW M5-.8 X 8
22	P0857022	HEX NUT 1/4-20	74	P0857074	ELEVATION BRACKET
23	P0857023	CAP SCREW 1/4-20 X 1-1/4	75	P0857075	BUSHING
24	P0857024	SHOULDER BOLT 5/16-18 X 11/16, 3/8 X 1	76	P0857076	BUSHING PLATE (2-HOLE)
25	P0857025	FENCE SWIVEL BASE	77	P0857077	ELEVATION PLATE
26	P0857026	HEX BOLT 5/16-18 X 1-1/4	78	P0857078	CAP SCREW M5-.8 X 10
27	P0857027	HEX NUT 5/16-18	79	P0857079	ELEVATION SHAFT 10-1/4L
28	P0857028	HEX NUT 1/2-20 THIN	80	P0857080	HEX NUT M16-2
29	P0857029	STUD-SE 1/2-20 X 1-3/8, 11/16	81	P0857081	SHAFT INT THR M6-1, EXT THR M16-2
30	P0857030	FLAT HD CAP SCR 5/16-18 X 1-1/2	82	P0857082	LEVER KNOB
31	P0857031	FENCE	83	P0857083	FLAT WASHER 6MM
32	P0857032	FLAT WASHER 5MM	84	P0857084	LOCK WASHER 6MM
33	P0857033	SWITCH PEDESTAL	85	P0857085	CAP SCREW M6-1 X 16
34	P0857034	CAP SCREW M8-1.25 X 20 W/WASHERS	86	P0857086	STANDOFF-RND MM 1/4-20 X 2-3/8, 1/2
35	P0857035	SET SCR 3/8-16 X 1-1/2 CONE-PT, SLOTTED	87	P0857087	SHOULDER FLANGE SCR M5-.8, 6 X 3.3
36	P0857036	HEX NUT 3/8-16 THIN	88	P0857088	POSITION PLATE
37	P0857037	FENCE BLOCK	89	P0857089	LOCK NUT 1/4-20
38	P0857038	FENCE LINK	90	P0857090	HEX NUT M5-.8
39	P0857039	T-NUT 1/2-12	91	P0857091	EXTENSION SPRING
40	P0857040	FLAT WASHER 8MM	92	P0857092	CAP SCREW M5-.8 X 15
41	P0857041	LOCK WASHER 8MM	93	P0857093	FOAM PAD
42	P0857042	CAP SCREW M8-1.25 X 25	94	P0857094	REAR COVER (LEFT)
43	P0857043	ROLL PIN 4 X 20	95	P0857095	CAP SCREW M6-1 X 10
44	P0857044	KEY 9.5 X 9.5 X 268	96	P0857096	PLUG (PLASTIC)
45	P0857045	FLAT HD CAP SCR M5-.8 X 12	97	P0857097	REAR COVER (RIGHT)
46	P0857046	FENCE GUIDE	98	P0857098	FRONT COVER (LEFT)
47	P0857047	FLAT WASHER 1/4	99	P0857099	FRONT COVER (RIGHT)
48	P0857048	FENCE BASE	100	P0857100	KNOB 1/4-20, D1, BALL
49	P0857049	WAVY WASHER 19MM	101	P0857101	CAP SCREW M6-1 X 15
50	P0857050	KEY 5 X 5 X 22	102	P0857102	OUTFEED TABLE LOCK PLATE
51	P0857051	CUTTERHEAD PULLEY	103	P0857103	HEX BOLT M8-1.25 X 30
52	P0857052	SET SCREW M6-1 X 8	104	P0857104	HEX NUT M8-1.25
53	P0857053	BEARING BLOCK	105	P0857105	TABLE BASE
54	P0857054	BALL BEARING 6204-2NSE	106	P0857106	FLAT HD CAP SCR M6-1 X 10
55	P0857055	CUTTERHEAD 8" 4-KNIFE (G0857)	107	P0857107	CUTTERHEAD FRONT COVER
55-2	P0857055-2	COMPRESSION SPRING (G0857)	109	P0857109	DUST COVER



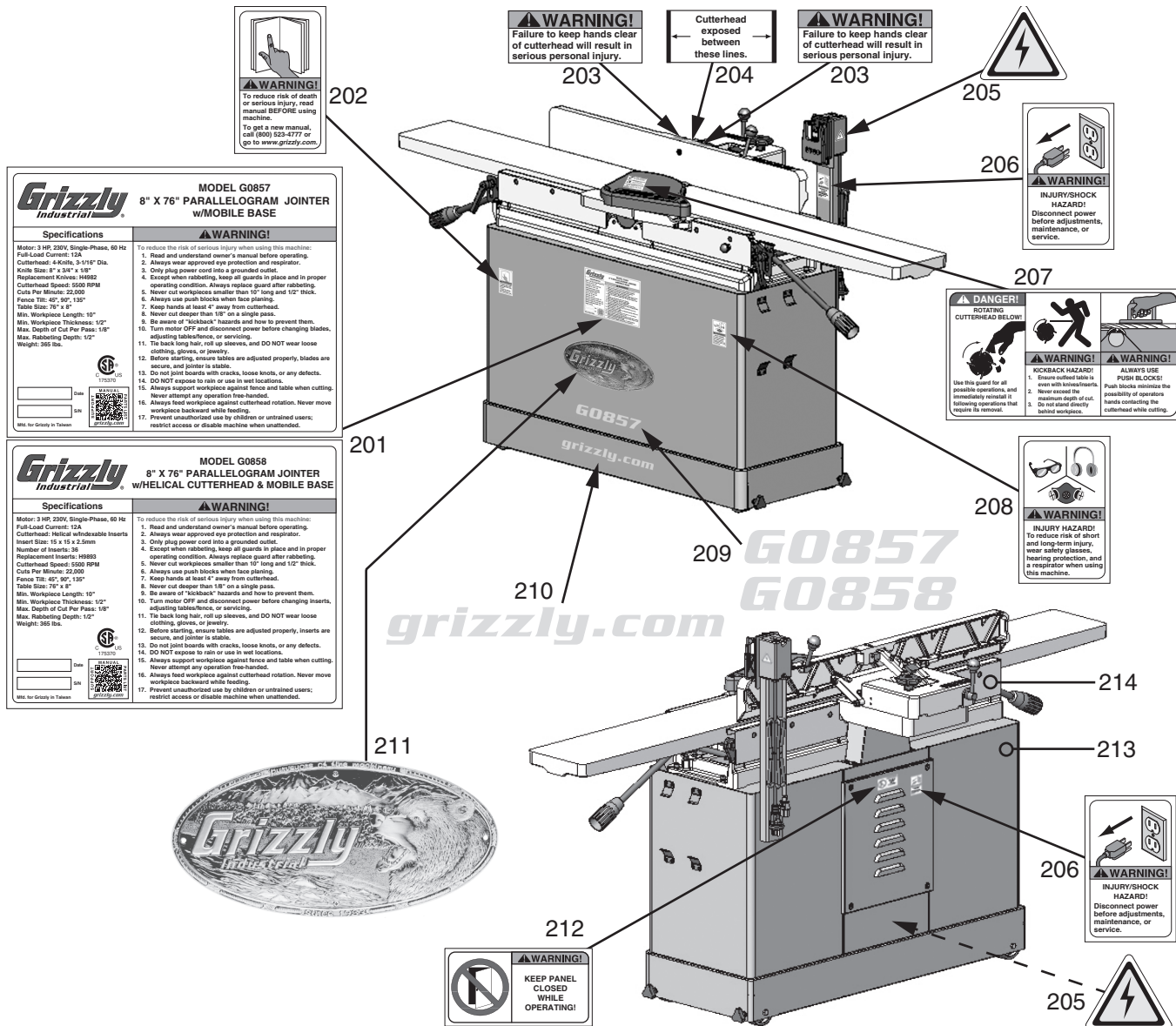
Parts List (Cont.)

REF	PART #	DESCRIPTION
110	P0857110	CAP SCREW 3/8-24 X 2
111	P0857111	LOCK WASHER 3/8
112	P0857112	HEX BOLT M8-1.25 X 25
113	P0857113	INFEED TABLE LOCK PLATE
114	P0857114	SCALE POINTER
115	P0857115	BUTTON HD CAP SCREW M5-.8 X 6
116	P0857116	FLAT WASHER 10MM
117	P0857117	WAVY WASHER 10MM
118	P0857118	ADJ HANDLE 93L, M10-1.5 X 25
119	P0857119	PHLP HD SCR M6-1 X 12
120	P0857120	FLAT WASHER 6MM
121	P0857121	DUST PORT 4"
122	P0857122	CABINET STAND
123	P0857123	WHEEL
124	P0857124	LOCK NUT M8-1.25
125	P0857125	WHEEL AXLE M8-1.25 X 30, 60L
126	P0857126	KNOB BOLT 3-LOBE, M10-1.5 X 22, D40
127	P0857127	PHLP HD SCR M6-1 X 10 W/WASHER
128	P0857128	BELT COVER
129	P0857129	REAR ACCESS PANEL
130	P0857130	PHLP HD SCR M6-1 X 20
131	P0857131	PUSH BLOCK BRACKET
132	P0857132	PHLP HD SCR M4-.7 X 8
133	P0857133	CAP SCREW M8-1.25 X 20
134	P0857134	CARRIAGE BOLT 5/16-18 X 3/4
135	P0857135	FLAT WASHER 8MM
136	P0857136	POLY V-BELT 300J-7 30"
137	P0857137	MOTOR 3HP 230V 1-PH
137-2	P0857137-2	KEY 5 X 5 X 30
137-3	P0857137-3	MOTOR PULLEY
137-4	P0857137-4	SET SCREW M6-1 X 8
137-5	P0857137-5	MOTOR LABEL
137-6	P0857137-6	STRAIN RELIEF TYPE-3 PG13.5
137-7	P0857137-7	MOTOR CORD 14G 3W 32"
137-8	P0857137-8	STRAIN RELIEF TYPE-1 3/4"
137-9	P0857137-9	BACKING BOARD

REF	PART #	DESCRIPTION
137-10	P0857137-10	MOTOR FAN COVER
137-11	P0857137-11	MOTOR FAN
137-12	P0857137-12	CONTACT PLATE
137-13	P0857137-13	CENTRIFUGAL SWITCH
137-14	P0857137-14	S CAPACITOR 400M 125V 1-1/2 X 3-1/2
137-15	P0857137-15	R CAPACITOR 70M 250V 1-1/2 X 3-1/2
137-16	P0857137-16	CAPACITOR COVER
137-17	P0857137-17	BALL BEARING 6205-ZZ (FRONT)
137-18	P0857137-18	BALL BEARING 6203-ZZ (REAR)
138	P0857138	KNIFE-SETTING JIG (G0857)
138	P0858138	TORX DRIVER T-25 (G0858)
139V2	P0857139V2	GUARD PIVOT SHAFT V2.07.19
140	P0857140	EXT RETAINING RING 11MM
141V2	P0857141V2	TORSION SPRING V2.07.19
142	P0857142	ROLL PIN 6 X 28
143V2	P0857143V2	ROLL PIN 5 X 26 V2.07.19
144	P0857144	SWITCH BOX
145	P0857145	SWITCH PLATE
146	P0857146	SWITCH CORD 14G 3W 20"
147	P0857147	POWER CORD 14G 3W 10' 6-20P
148	P0857148	STRAIN RELIEF TYPE-1 5/8"
149	P0857149	PHLP HD SCR M4-.7 X 25
150	P0857150	PHLP HD SCR M4-.7 X 6
151	P0857151	EXT TOOTH WASHER 4MM
152	P0857152	GROUND LABEL
154	P0857154	FOAM PAD 30 X 30 X 22
155	P0857155	TAP SCREW M6 X 8
156	P0857156	ADJUSTABLE FOOT M8-1.25
160	P0857160	HEX WRENCH 6MM
161	P0857161	WRENCH 8 X 10MM OPEN-ENDS
162	P0857162	WRENCH 11 X 13MM OPEN-ENDS
163	P0857163	LIFTING HOOK
164	P0857164	BUTTON HD CAP SCR M6-1 X 12
165	P0857165	CUTTERHEAD GUARD WASHER 6.7 X 19 X 2
167	P0857167	HEX WRENCH 4MM



Labels & Cosmetics



REF	PART #	DESCRIPTION
201	P0857201	MACHINE ID LABEL (G0857)
201	P0858201	MACHINE ID LABEL (G0858)
202	P0857202	READ MANUAL LABEL
203	P0857203	CUTTERHEAD WARNING LABEL
204	P0857204	CUTTERHEAD EXPOSED LABEL
205	P0857205	ELECTRICITY LABEL
206	P0857206	DISCONNECT POWER LABEL
207	P0857207	CUTTERHEAD GUARD LABEL

REF	PART #	DESCRIPTION
208	P0857208	EYES EARS LUNGS WARNING LABEL
209	P0857209	MODEL NUMBER LABEL (G0857)
209	P0858209	MODEL NUMBER LABEL (G0858)
210	P0857210	GRIZZLY.COM LABEL
211	P0857211	GRIZZLY NAMEPLATE-SMALL
212	P0857212	PANEL CLOSED WARNING LABEL
213	P0857213	TOUCH-UP PAINT, GRIZZLY GREEN
214	P0857214	TOUCH-UP PAINT, GREY PUTTY

! WARNING

Safety labels help reduce the risk of serious injury caused by machine hazards. If any label comes off or becomes unreadable, the owner of this machine **MUST** replace it in the original location before resuming operations. For replacements, contact (800) 523-4777 or www.grizzly.com.



WARRANTY & RETURNS

Grizzly Industrial, Inc. warrants every product it sells for a period of **1 year** to the original purchaser from the date of purchase. This warranty does not apply to defects due directly or indirectly to misuse, abuse, negligence, accidents, repairs or alterations or lack of maintenance. This is Grizzly's sole written warranty and any and all warranties that may be implied by law, including any merchantability or fitness, for any particular purpose, are hereby limited to the duration of this written warranty. We do not warrant or represent that the merchandise complies with the provisions of any law or acts unless the manufacturer so warrants. In no event shall Grizzly's liability under this warranty exceed the purchase price paid for the product and any legal actions brought against Grizzly shall be tried in the State of Washington, County of Whatcom.

We shall in no event be liable for death, injuries to persons or property or for incidental, contingent, special, or consequential damages arising from the use of our products.

The manufacturers reserve the right to change specifications at any time because they constantly strive to achieve better quality equipment. We make every effort to ensure that our products meet high quality and durability standards and we hope you never need to use this warranty.

In the event you need to use this warranty, contact us by mail or phone and give us all the details. We will then issue you a "Return Number," which must be clearly posted on the outside as well as the inside of the carton. We will not accept any item back without this number. Proof of purchase must accompany the merchandise.

Please feel free to write or call us if you have any questions about the machine or the manual.

Thank you again for your business and continued support. We hope to serve you again soon.

To take advantage of this warranty, you must register it at <https://www.grizzly.com/secureforms/warranty-card>, or you can scan the QR code below to be automatically directed to our warranty registration page. Enter all applicable information for the product.



grizzly.com[®]

TOOL WEBSITE

Buy Direct and Save with Grizzly[®] – Trusted, Proven and a Great Value!
~Since 1983~

*Visit Our Website Today For
Current Specials!*

**ORDER
24 HOURS A DAY!
1-800-523-4777**

