

# ***WGen7500c***

## **Portable Generator**

**7500 Running Watts | 9500 Peak Watts**

**DO NOT RETURN THIS PRODUCT TO THE STORE**

If you have questions or need assistance, please call customer service at 855-944-3571.

# INTRODUCTION

## TABLE OF CONTENTS

### INTRODUCTION

DISCLAIMERS.....	2
ALL RIGHTS RESERVED.....	2
SPECIFICATIONS.....	3

### SAFETY

SAFETY DEFINITIONS.....	4
SAFETY SYMBOLS.....	4
SAFETY INSTRUCTIONS.....	5
CO SENSOR.....	7
ACTION LABEL.....	7
CONTROL PANEL CO AUTO-SHUTOFF.....	7
GFCI.....	7
SAFETY LABELS AND DECALS.....	9

### COMPONENTS

CONTROL PANEL COMPONENTS.....	10
GENERATOR COMPONENTS.....	11

### ASSEMBLY

CARTON CONTENTS.....	12
INSTALL FEET AND WHEELS.....	12
INITIAL OIL FILL.....	13
FUEL.....	13
CONNECT THE BATTERY.....	14

### OPERATION

GENERATOR LOCATION.....	15
GROUNDING.....	15
HIGH ALTITUDE OPERATION.....	16
REMOTE START.....	16
BREAK-IN PERIOD.....	17
BEFORE STARTING THE GENERATOR.....	17
STARTING THE ENGINE.....	17

STOPPING THE ENGINE.....	17
FREQUENCY OF USE.....	17
AC CIRCUIT BREAKERS.....	17
GENERATOR CAPACITY.....	18
POWER MANAGEMENT.....	18
EXTENSION CORDS.....	19
ST SWITCH.....	19
TRANSPORTING.....	20

### MAINTENANCE

MAINTENANCE SCHEDULE.....	21
MAINTENANCE REMINDERS.....	21
MAINTENANCE REPLACEMENT PARTS.....	21
AIR FILTER MAINTENANCE.....	21
ENGINE OIL LEVEL CHECK.....	22
ENGINE OIL CHANGE.....	22
SPARK PLUG MAINTENANCE.....	23
SPARK ARRESTOR SERVICE.....	23
BATTERY MAINTENANCE.....	24
BATTERY REPLACEMENT.....	24
STORAGE.....	24
FUEL VALVE MAINTENANCE.....	25
VALVE CLEARANCE.....	26

### TROUBLESHOOTING

TROUBLESHOOTING.....	27
----------------------	----

### EXPLODED VIEWS AND PARTS LISTS

EXPLODED VIEW A.....	28
EXPLODED VIEW B.....	31

### SCHEMATICS

SCHEMATICS.....	34
ESPAÑOL.....	35
FRANÇAIS.....	62

**⚠ WARNING:** Operating, servicing, and maintaining this equipment can expose you to chemicals including engine exhaust, carbon monoxide, phthalates, and lead, which are known to the State of California to cause cancer and birth defects or other reproductive harm. To minimize exposure, avoid breathing exhaust, and wear gloves or wash your hands frequently when servicing this equipment. For more information go to [www.P65warnings.ca.gov](http://www.P65warnings.ca.gov).

### DISCLAIMERS

All information, illustrations, and specifications in this manual were in effect at the time of publishing. The illustrations used in this manual are intended as representative reference views only. We reserve the right to make any specification or design change without notice.

### ALL RIGHTS RESERVED

All rights reserved. No reproduction allowed in any form without written permission from Westinghouse Outdoor Power Equipment, LLC.

### ⚠ DANGER



Read this manual before using or performing maintenance on this product. Failure to follow the instructions and safety precautions in this manual can result in serious injury or death.

## SAVE THESE INSTRUCTIONS

# INTRODUCTION

## SPECIFICATIONS

Specifications	
Running Watts:	7500
Peak Watts:	9500
Rated Voltage:	120/240V
Rated Power @1.0 Power Factor:	7.5 kW Gasoline
Peak Power:	9.5 kVA Gasoline
Rated frequency:	60 Hz @ 3600 RPM
Phase:	Single phase
Total Harmonic Distortion:	≤ 23%
Engine Displacement:	420 cc
Starting Type:	Recoil, Electric Start, Remote
Fuel Capacity:	6.6 Gallons (25 Liters)
Fuel Type:	Unleaded Gasoline 87–93 octane*
Oil Capacity:	1.16 Quart (1.1 Liter)
Oil Type:	SAE 10W-30
Spark Plug:	97108 (F7TC)
Spark Plug Gap:	0.024 – 0.032 in. (0.60 – 0.80 mm)
Valve Intake Clearance:	0.0031 – 0.0047 in. (0.08 – 0.12 mm)
Valve Exhaust Clearance:	0.0051 – 0.0067 in. (0.13 – 0.17 mm)
AC Grounding System:	Neutral bonded to frame
Voltage Regulator:	AVR
Alternator Type:	Brushed
Maximum Ambient Temperature:	104°F (40°C)
Certifications:	<ul style="list-style-type: none"><li>• EPA</li><li>• CARB</li><li>• CSA</li></ul>

\*Ethanol content of 10% or less. **DO NOT** use E15 or E85.

## UPDATES

The latest User Manual for your Westinghouse generator can be found under our support tab. <https://westinghouseoutdoorpower.com/pages/manuals>

Or scan the following QR code with your smartphone camera to be directed to the link.



## NOTICE

This product is designed and rated for continuous operation at ambient temperatures up to 104°F (40°C). If needed, this product can be operated at temperatures ranging from 5°F (15°C)–122°F (50°C) for short periods. If the product is exposed to temperatures outside of this range during storage, it should be brought back within this range before operation. This product must **ALWAYS** be operated outdoors in a well-ventilated area and far away from doors, windows, and other vents.

Maximum wattage and current are subject to and limited by such factors as fuel BTU content, ambient temperature, altitude, engine conditions, etc. Maximum power decreases about 3.5% for each 1,000 feet above sea level, and will also decrease about 1% for each 10°F (6°C) above 60°F (16°C) ambient temperature.

## PRODUCT REGISTRATION

For trouble-free warranty coverage, it is important to register your Westinghouse generator.

You can register by:

- Completing and mailing the product registration card included in the carton.
- Registering your product online at: <https://westinghouseoutdoorpower.com/pages/warranty-registration>
- Scan the following QR code with your smartphone camera to be directed to the mobile registration link.



- Sending the following product information to:

Westinghouse Outdoor Power  
Warranty registration  
777 Manor Park Drive  
Columbus, OH 43228

## For Your Records

Date of Purchase: \_\_\_\_\_

Model Number: \_\_\_\_\_

Serial Number: \_\_\_\_\_

Place of Purchase: \_\_\_\_\_

**IMPORTANT:** Keep your purchase receipt for trouble-free warranty coverage.

# SAFETY

## SAFETY

### SAFETY DEFINITIONS

The words DANGER, WARNING, CAUTION, and NOTICE are used throughout this manual to highlight important information. Make sure that the meanings of this safety information is known to all who operate, perform maintenance on, or are near the generator.



This safety alert symbol appears with most safety statements. It means attention, become alert, your safety is involved! Please read and abide by the message that follows the safety alerts symbol.

#### ⚠ DANGER

Indicates a hazardous situation which, if not avoided, will result in death or serious injury.

#### ⚠ WARNING

Indicates a hazardous situation which, if not avoided, could result in death or serious injury.

#### ⚠ CAUTION

Indicates a hazardous situation which, if not avoided, could result in minor or moderate injury.

#### NOTICE

Indicates a situation which can cause damage to the generator, personal property, and/or the environment, or cause the equipment to operate improperly.

**Note:** Indicates a procedure, practice or condition that should be followed for the generator to function in the manner intended.

### SAFETY SYMBOLS

Follow all safety information contained in this manual and on the generator.

Symbol	Description
	Safety Alert Symbol
	Electrocution Hazard
	Asphyxiation Hazard
	Burn Hazard. <b>DO NOT</b> touch hot surfaces.
	Electrical Shock Hazard
	Fire Hazard
	Maintain Safe Distance
	Lifting Hazard
	Read Manufacturer's Instructions
	<b>DO NOT</b> Operate in Wet Conditions
	Ground. Consult with electrician to determine grounding requirements before operation.

## ⚠ DANGER

Using a generator indoors CAN KILL YOU IN MINUTES. Generator exhaust contains carbon monoxide. This is a poison you cannot see or smell.



NEVER use inside a home or garage, EVEN IF doors and windows are open.

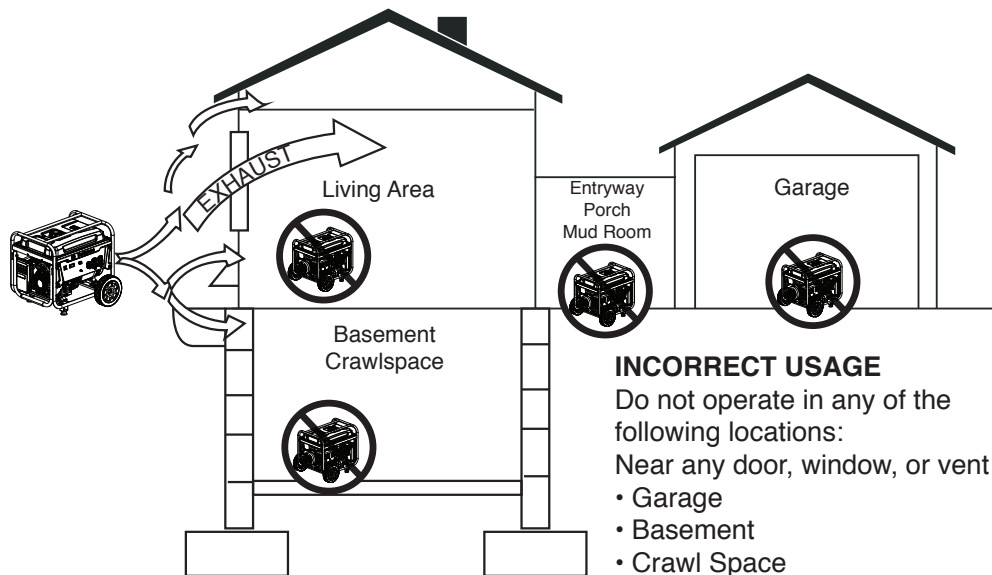
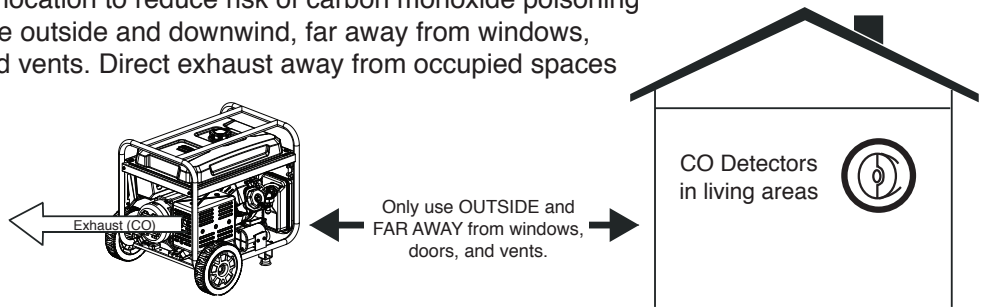


Only use OUTSIDE and far away from windows, doors, and vents.

## SAFETY INSTRUCTIONS

### CORRECT USAGE

Example location to reduce risk of carbon monoxide poisoning  
ONLY use outside and downwind, far away from windows, doors and vents. Direct exhaust away from occupied spaces



### INCORRECT USAGE

Do not operate in any of the following locations:

Near any door, window, or vent

- Garage
- Basement
- Crawl Space
- Living Area
- Attic
- Entry Way
- Porch
- Mudroom

### NOTICE

Install battery-powered carbon monoxide detectors or plug-in carbon monoxide detectors with battery back-up in living areas.

### ⚠ DANGER

Fire and electrocution hazard. **DO NOT** connect to a building's electrical system unless the generator and transfer switch have been properly installed and the electrical output has been verified by a qualified electrician. The connection must isolate the generator power from utility power and must comply with all applicable laws and electrical codes.

### ⚠ DANGER

Electrocution hazard. **NEVER** use the generator in a location that is wet or damp. **NEVER** expose the generator to rain, snow, water spray, or standing water while in use. Protect the generator from all hazardous weather conditions. Moisture or ice can cause a short circuit or other malfunction in the electrical circuit.

# SAFETY

## GENERAL SAFETY PRECAUTIONS

- **NEVER** use the generator to power medical support equipment.
- **DO NOT** operate the generator when you are tired or under the influence of drugs, alcohol, or medication.
- **DO NOT** use generator with electrical cords which are worn, frayed, bare, or otherwise damaged.
- All electrical tools and appliances operated from this generator must be properly grounded by use of a third wire or be double-insulated.
- When this generator is used to supply a building wiring system the generator must be installed by a qualified electrician and connected to a transfer switch as a separately derived system in accordance with NFPA 70, National Electrical Code.
- If you begin to feel sick, dizzy, or weak while using the generator, move to fresh air IMMEDIATELY. See a doctor, as you can have carbon monoxide poisoning.
- Only use OUTSIDE and far away from windows, doors, and vents as recommended by the US Department of Health and Human Services Centers for Disease Control and Prevention. Your specific home and/or wind conditions may require additional distance.
- While operating and storing, keep at least five feet of clearance on all sides of the generator, including overhead. Allow the generator to cool a minimum of 30 minutes before storage. Heat created by the muffler and exhaust gases could be hot enough to cause serious burns and/or ignite combustible objects.
- **DO NOT** touch the muffler or engine. They are very HOT and will cause severe burns. **DO NOT** put body parts or any flammable or combustible materials in the direct path of the exhaust.
- **ALWAYS** remove any tools or other service equipment used during maintenance away from the generator before operating.
- Avoid skin contact with engine oil or gasoline. Wear protective clothing and equipment. Wash all exposed skin with soap and water.
- A transfer switch must be installed by a licensed electrician approved by the authority having jurisdiction. The installation must comply with all applicable laws and electrical codes.

## FUEL SAFETY

- Store fuel in a container approved for gasoline.
- **DO NOT** smoke when filling the generator with gasoline.
- **DO NOT** allow the generator's gas tank to overflow when filling.
- Shut down the engine and allow it to cool for two minutes before adding gasoline or oil to the generator.
- **NEVER** remove the fuel cap when the generator is running. Shut off the engine and allow the unit to cool

at least two minutes. Remove the fuel cap slowly to release pressure, keep fuel from escaping around the cap, and to avoid the heat from the muffler igniting fuel vapors. Tighten the fuel cap securely after refueling.

- Wipe spilled fuel from the unit.
- **NEVER** attempt to burn off spilled fuel.
- **NEVER** overfill the fuel tank. Leave room for fuel to expand. Overfilling the fuel tank can result in a sudden overflow of gasoline and result in spilled gasoline coming in contact with HOT surfaces.
- Spilled fuel can ignite. If fuel is spilled on the generator, wipe up any spills immediately. Dispose of rag properly. Allow area of spilled fuel to dry before operating the generator.
- Wear eye protection while refueling.
- **NEVER** use gasoline as a cleaning agent.
- Store any containers containing gasoline or LPG/propane in a well-ventilated area, away from any combustibles or source of ignition.

## GASOLINE AND GASOLINE VAPOR (GAS)

### ▲ DANGER

Fire and explosion hazard. Gasoline and LPG/propane are highly explosive and flammable and can cause severe burns or death.

- In case of a gas fire, **DO NOT** attempt to extinguish the flame if the fuel tank valve is in the ON position. Introducing an extinguisher to a generator with an open fuel valve could create an explosion hazard.
- Gas has a distinctive odor, this will help detect potential leaks quickly.
- Gas vapors can cause a fire if ignited.
- Gasoline is a skin irritant and needs to be cleaned up immediately if it comes in contact with the skin.

### When starting the generator:

- Make sure that the fuel cap, air filter, spark plug, fuel lines, and exhaust system are properly in place.
- If you spill any gasoline on the tank, allow it to fully evaporate before operating.
- Make sure the generator is on a flat surface before operating.

### When transporting or servicing the generator:

- Disconnect the spark boot to prevent accidental starting.

### When storing the generator:

- Store away from sparks, open flames, pilot lights, heat, and other sources of ignition.
- **DO NOT** store gas near furnaces, water heaters, or any other appliances that produce heat or have automatic ignitions.

## CO SENSOR

The CO Sensor monitors for the accumulation of poisonous carbon monoxide gas around the generator when the engine is running. If increasing levels of CO gas are detected, the CO Sensor automatically shuts down the engine.

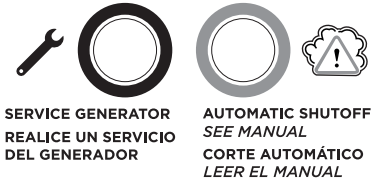
The CO Sensor will also detect the accumulation of carbon monoxide from other fuel burning sources used in the area of operation. For example, if the exhaust of fuel burning tools is pointed at a CO Sensor-equipped generator, a shut-off may be initiated due to rising CO levels. This is not an error. Hazardous carbon monoxide has been detected. Move and redirect any additional fuel burning sources to dissipate carbon monoxide away from personnel and occupied buildings.

**Note:** Remote start-equipped generators must be restarted with the START/STOP switch on the control panel after an automatic shut-down occurs.

Generators are intended to be used outdoors, far from occupied buildings and the exhaust pointed away from personnel and buildings. If misused and operated in a location that results in the accumulation of CO, like in a partially enclosed area, the CO Sensor shuts off the engine, notifies the user with a RED indicator light, and directs the user to read the Action Label for steps to take. The CO Sensor **DOES NOT** replace carbon monoxide alarms. Install battery-powered carbon monoxide alarm(s) in your home.

## CONTROL PANEL CO AUTO-SHUTOFF

### CARBON MONOXIDE AUTO-SHUTOFF



**SERVICE GENERATOR**  
REALICE UN SERVICIO  
DEL GENERADOR

**AUTOMATIC SHUTOFF**  
SEE MANUAL  
CORTE AUTOMÁTICO  
LEER EL MANUAL

## CO SENSOR INDICATOR LIGHTS

Color	Description
<b>RED</b>	Carbon monoxide accumulated around the generator. After shut-off, the RED indicator light in the CO Sensor area of the control panel will flash to provide notification that the generator was shut-off due to an accumulating CO hazard. The RED light will flash for at least five minutes after a CO shut-off.  Move the generator to an open, outdoor area far away from occupied spaces with exhaust pointed away. Once relocated to a safe area, the generator can be restarted. Introduce fresh air and ventilate the area where the generator had shut down.
<b>YELLOW</b>	A CO sensor system fault occurred. When a system fault occurs, the generator is automatically shut down and the YELLOW indicator light in the CO auto-shutoff area of the control panel will flash to provide notification that the a fault has occurred. The YELLOW light will flash for at least five minutes after a fault. The generator can be re-started, but may continue to shutoff. A CO sensor fault can only be diagnosed and repaired by an authorized Westinghouse service center.

### ▲ WARNING

Automatic shutoff accompanied with a flashing RED light in the CO Sensor portion of the control panel is an indication that the generator was improperly located. If you start to feel sick, dizzy, weak, or carbon monoxide detectors in your home indicate an alarm, get to fresh air immediately. Call emergency services. You may have carbon monoxide poisoning.

## ACTION LABEL

**ACTION LABEL**

ETIQUETA DE FUNCIONAMIENTO  
ÉTIQUETTE D'ACTION

**AUTOMATIC SHUTOFF - YOU MUST:**  
**ETIQUETA DE FUNCIONAMIENTO:**  
**ÉTIQUETTE D'ACTION:**

- MOVE GENERATOR TO AN OPEN, OUTDOOR AREA.
- POINT EXHAUST AWAY.
- DON'T RUN GENERATOR IN ENCLOSED AREAS (E.G. NOT IN HOUSE OR GARAGE).
- MOVER EL GENERADOR A UN ÁREA ABIERTA, EN EXTERIORES
- ORIENTAR EL TUBO DE ESCAPE HACIA AFUERA
- NO ACTIVAR EL GENERADOR EN ÁREAS CERRADAS (P. EJ.: EN UNA CASA O GARAJE)
- DÉPLACER LA GÉNÉRATRICE DANS UN ESPACE EXTÉRIEUR OUVERT
- DIRIGER L'ÉCHAPPEMENT LOIN DE VOUS
- NE PAS FAIRE FONCTIONNER LA GÉNÉRATRICE DANS DES ENDROITS FERMÉS (COMME DANS LA MAISON OU LE GARAGE)

- MOVE TO FRESH AIR.
- GET MEDICAL HELP IF SICK, DIZZY OR WEAK.
- MOVER AL AIRE LIBRE
- OBTENER ATENCIÓN MÉDICA SI SE SIENTE ENFERMO, MAREADO O DÉBIL
- VOUS RETIRER À L'AIR FRAIS
- CONSULTER UN MÉDECIN SI VOUS ÊTES MALADE, ÉTOURDI OU FAIBLE

**POINT**  
ORIENTAR  
DIRIGIR

**EXHAUST**  
EL TUBO DE ESCAPE  
L'ÉCHAPPEMENT

**AWAY**  
HACIA AFUERA  
LOIN DE VOUS

**WARNING**  
ADVERTENCIA  
AVERTISSEMENT

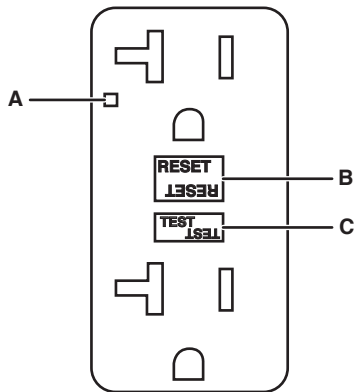
**TAMPERING WITH CARBON MONOXIDE SENSOR COULD RESULT IN HAZARDOUS CONDITION**  
HACER ALTERACIONES CON SENSOR DE MONÓXIDO DE CARBONO PODRÍA OCASIONAR CONDICIONES PELIGROSAS  
L'ALTÉRATION DE CAPTEUR DE MONOXYDE DE CARBONE PEUT ENTRAÎNER DES CONDITIONS DANGEREUSES

# SAFETY

---

## GFCI

The generator is equipped with Ground Fault Circuit Interrupter (GFCI) receptacles. In the event of a ground fault, a GFCI trips automatically to stop the flow of electricity and prevent serious injury. The green indicator light (A) on the receptacle will also turn off. Push the “RESET” (B) button located on the front of the receptacle to restore the flow of electricity. The indicator light will turn back on. GFCI does not protect against circuit overloads.



To check the proper operation of a GFCI receptacle:

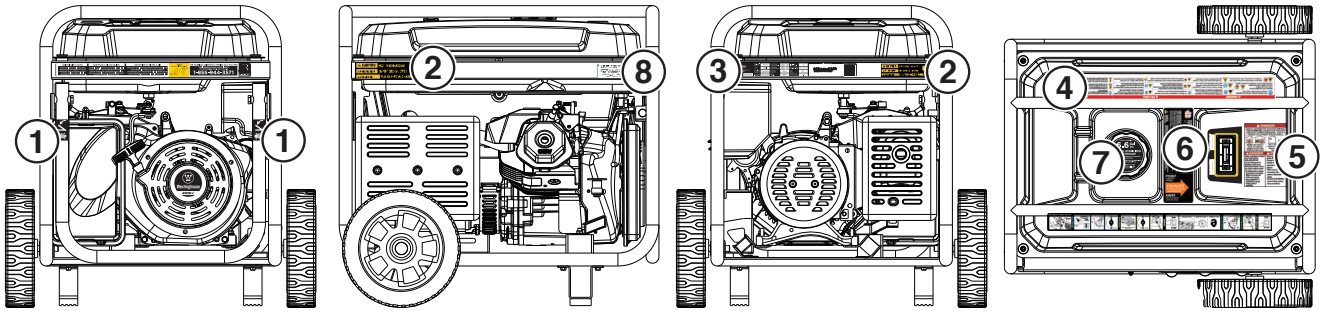
1. With the generator running, plug a lamp into the GFCI receptacle. Turn the lamp on.
2. Press the “TEST” (C) button located on the front of the receptacle to trip the device. This should immediately stop the flow of electricity and shut off the lamp. If the electricity is not stopped, **DO NOT** use this receptacle until it has been serviced or replaced.
3. Press the “RESET” button located on the front of the receptacle to restore the flow of electricity. If the indicator light does not come back on or if the GFCI cannot be reset then it must be replaced.

### NOTICE

Some stationary motors, such as a bathroom vent fan, fluorescent lighting fixtures or some refrigerators, may produce enough current leakage to cause nuisance tripping. To avoid nuisance tripping, a GFCI should not supply: fluorescent or other types of electric-discharge lighting fixtures or permanently installed electric motors, like air conditioners, furnaces or refrigerators.



## SAFETY LABELS AND DECALS



<b>4</b>	<b>⚠ DANGER</b>	<b>⚠ PELIGRO</b>	<b>⚠ DANGER</b>
<p><b>⚠</b> Failure to follow warnings, instructions and operator's manual will result in death or serious injury.</p> <p>Generator could cause electrical shock.</p> <ul style="list-style-type: none"> <li>• ONLY use in dry conditions.</li> <li>• DO NOT operate in rain or wet weather.</li> <li>• A transfer switch must be used when connecting to a building.</li> </ul> <p>Never fuel unit with engine running. Always allow unit to cool before refueling.</p>	<p>Hot muffler and exhaust gases can cause fires. Keep at least 5ft. (1.5 m) clearance from any combustible or structures, including overhead.</p> <p>Exhaust contains poisonous carbon monoxide gas that can cause unconsciousness or DEATH. Install Carbon Monoxide alarms inside home.</p> <p>For electrical equipment only: Failure to properly ground generator can result in electrocution.</p>	<p>Los gases calientes del escape podrían causar un incendio. Deje un espacio libre de al menos 1.5 m de cualquier combustible o estructura, incluyendo por encima.</p> <p>El generador podría causar una descarga eléctrica.</p> <ul style="list-style-type: none"> <li>• No opere en interiores para evitar condiciones de humedad.</li> <li>• No opere en la lluvia ni en clima húmedo.</li> <li>• No conecte al sistema eléctrico de una casa.</li> </ul> <p>Antes de cargar la unidad con el motor en marcha, deje siempre en un área bien ventilada. Siempre que se la conecte a un sistema eléctrico, asegure que la unidad se ventile antes de cargar combustible.</p>	<p>Le non-respect des avertissements, des instructions et du manuel de l'utilisateur entraînera la mort ou des blessures graves.</p> <p>Les gaz d'échappement chauds peuvent provoquer des incendies. Gardez un écartement de moins 1.5 m de tout combustible ou structure, y compris les toits, poutres, etc.</p> <p>Le générateur pourrait provoquer un choc électrique.</p> <ul style="list-style-type: none"> <li>• Ne courrez pas en intérieur pour éviter les conditions humides.</li> <li>• Ne courez pas sous la pluie ou par temps humide.</li> <li>• Ne vous connectez pas au système électrique d'une maison.</li> </ul> <p>Ne faites jamais de carburant avec le moteur en marche. Faites toujours le plein après un arrêt bien ventilé. Laissez toujours refroidir avant de faire le plein.</p> <p>Pour les équipements électriques uniquement, une mauvaise mise à la terre du générateur peut entraîner une électrocution.</p>

<b>3</b>	<b>Westinghouse</b>	Rev. Level	Power (Rated)	Insul Class	Serial No./No. De Série	Register your product:
		Revision	Puissance (Nom.)	Classe D'isol.		
		Phase	Power (Peak)	Max Amb Temp	<b>Serial Number</b>	QR Code
		AC Voltage	Puissance (Pointe)	Temp, Amb, Max		
		Tension CA	Frequency	Duty Service	<b>Numéro de série</b>	
		AC Current	RPM	Power Factor		
		Intensité CA	TR/MIN	Facteur de puissance		

<b>5</b>	<b>⚠ DANGER</b>	<b>⚠ PELIGRO</b>	<b>6</b>	<b>ACTION LABEL</b>	<b>⚠ CAUTION</b>		
<p><b>USING A GENERATOR INDOORS CAN KILL YOU IN MINUTES. GENERATOR EXHAUST CONTAINS CARBON MONOXIDE. THIS IS A POISON YOU CANNOT SEE OR SMELL.</b></p> <p>NEVER USE INSIDE A HOME OR GARAGE, EVEN IF DOORS AND WINDOWS ARE OPEN.</p> <p>ONLY USE OUTSIDE AND FAR AWAY FROM WINDOWS, DOORS, AND VENTS.</p>		<p><b>AUTOMATIC SHUTOFF - YOU MUST: ETIQUETA DE FUNCIONAMIENTO: ETIQUETA D'ACCION:</b></p> <p>• MOVE GENERATOR TO AN OPEN, OUTDOOR AREA.</p> <p>• POINT EXHAUST AWAY.</p> <p>• DON'T RUN GENERATOR IN ENCLOSED AREAS (E.G. NOT IN HOUSE OR GARAGE).</p> <p>• MOVER EL GENERADOR A UN AREA ABIERTA, EN EXTERIORES</p> <p>• ORIENTAR EL TUBO DE ESCAPE HACIA AFUERA</p> <p>• NO ACTIVAR EL GENERADOR EN AREAS CERRADAS (P. EJ. EN UNA CASA O GARAJE)</p> <p>• DEPLACER LA GENERATRICE DANS UN ESPACE EXTERIEUR OUVERT</p> <p>• DIRIGER L'ÉCHAPPEMENT LOIN DE VOUS</p> <p>• NE PAS FAIRE FONCTIONNER LA GÉNÉRATRICE DANS DES ENDROITS FERMÉS (SPÉCIALEMENT DANS LA MAISON OU LE GARAGE)</p>		<p><b>MOVE TO FRESH AIR. GET MEDICAL HELP IF SICK, DIZZY OR WEAK.</b></p> <p>• MOVER AL AIRE LIBRE</p> <p>• OBTENER ATENCIÓN MÉDICA SI SE SIENTE ENFERMO, MAREADO O DÉBIL</p> <p>• VOUS RETIRER À L'AIR FRAIS</p> <p>• CONSULTER UN MÉDECIN SI VOUS ÊTES MALADE, ÉTOURDI OU FAIBLE</p>			
<p><b>⚠ DANGER</b></p> <p>Utiliser un générateur à l'intérieur PEUT VOUS TUER EN QUELQUES MINUTES.</p> <p>Les gaz d'échappement du générateur contiennent du monoxyde de carbone. C'est un gaz toxique invisible et inodore</p> <ul style="list-style-type: none"> <li>• NE JAMAIS utiliser à l'intérieur d'une maison ou d'un garage, MÊME SI les portes et les fenêtres sont ouvertes.</li> <li>• Utiliser UNIQUEMENT à l'EXTÉRIEUR et loin des fenêtres, portes et ventilations.</li> </ul>		<p><b>⚠ PELIGRO</b></p> <p>Si usa un generador en interiores MORIRÁ EN POCOS MINUTOS. El escape del generador contiene monóxido de carbono. Es un veneno que no tiene olor ni se puede ver.</p> <ul style="list-style-type: none"> <li>• NUNCA lo use dentro de una casa o garage, AUN si las puertas y ventanas están abiertas.</li> <li>• Sólo úselo EN EXTERIORES y lejos de ventanas, puertas y ductos de ventilación.</li> </ul>		<p><b>WARNING</b></p> <p>ADVERTENCIA</p> <p>AVERTISSEMENT</p> <p><b>TAMPERING WITH CARBON MONOXIDE SENSOR COULD RESULT IN HAZARDOUS CONDITION</b></p> <p>HACER ALTERACIONES CON SENSOR DE MONÓXIDO DE CARBONO PODRÍA OCASIONAR CONDICIONES PELIGROSAS</p> <p>L'ALTERATION DE CAPTEUR DE MONOXYDE DE CARBONE PEUT ENTRAÎNER DES CONDITIONS DANGEREUSES</p>		<p><b>POINT</b></p> <p>ORIENTAR DIRIGIR</p> <p><b>EXHAUST</b></p> <p>EL TUBO DE ESCAPE L'ÉCHAPPEMENT</p> <p><b>AWAY</b></p> <p>HACIA AFUERA LOIN DE VOUS</p>	
<b>8</b>	<p><b>⚠ WARNING: Cancer and reproductive harm - www.P65Warnings.ca.gov/product</b></p> <p><b>ADVERTISSEMENT: Cancer et problèmes de reproduction - www.P65Warnings.ca.gov/product</b></p> <p><b>ADVERTENCIA: Cáncer y daños al sistema reproductor - www.P65Warnings.ca.gov/product</b></p>		<b>2</b>	<p><b>⚠ CAUTION</b> HOT SURFACES</p> <p><b>⚠ PRECAUCIÓN</b> SUPERFICIES CALIENTES</p> <p><b>⚠ ATTENTION</b> AUX SURFACES CHAUDES</p>			



DO NOT OVERFILL

**7**

**6.6 Gal**

**25L**

**USE FUEL STABILIZER FOR STORAGE**

UTILISEZ UN STABILISATEUR DE CARBURANT POUR LE STOCKAGE

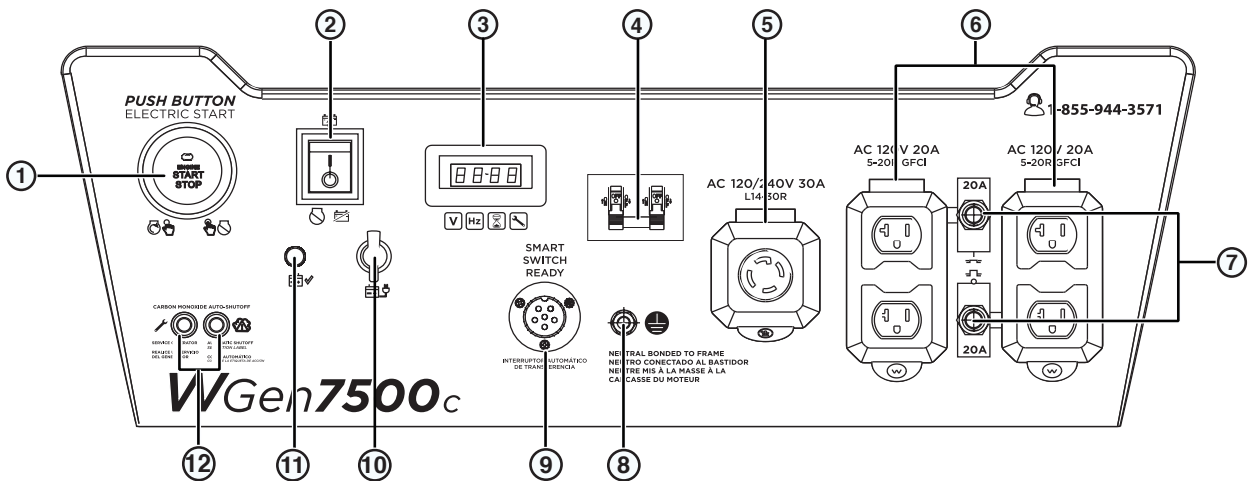
EL USO DEL ESTABILIZADOR DE COMBUSTIBLE PARA EL ALMACENAMIENTO

87 MINIMUM OCTANE  
 87 OCTANO MINIMUM  
 87 OCTANO MINIMO

# COMPONENTS

## COMPONENTS

### CONTROL PANEL COMPONENTS

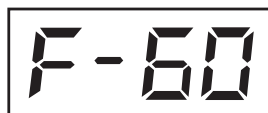


1. **Push-Button START/STOP:** Push once to automatically start the engine. Push again to stop the engine.
2. **Battery Switch:** Turns battery ON and OFF. Must be ON before electric or remote start.
3. **Data Center:** Toggle to show voltage, frequency, total hour meter, and run/maintenance timer.
4. **Main Circuit Breaker:** The main circuit breaker controls total output of all outlets to protect the generator from overload or short circuit.
5. **120/240 Volt AC, 30 Amp NEMA 14-30R Twist-Lock Receptacle:** Receptacle can supply a maximum of 30 Amps.
6. **120 Volt AC, 20 Amp Duplex GFCI NEMA 5-20R Receptacles:** Receptacles can supply a maximum of 20 Amps.
7. **20 Amp AC Circuit Breakers:** Circuit breaker limits the current that can be delivered through the NEMA 5-20R receptacles to 20 Amps.
8. **Ground Terminal:** The ground terminal is used to externally ground the generator.
9. **Smart Switch Outlet:** Connects the Westinghouse ST Switch (sold separately) to the control panel.
10. **Battery Charging Port:** Used to charge the battery with the included battery charger.
11. **Battery Indicator:** Indicates that power is ON. Light will remain illuminated while the unit is ON.
12. **CO Sensor Indicator Lights:** The CO Sensor monitors for the accumulation of poisonous carbon monoxide gas. If increasing levels of CO gas are detected, the CO Sensor automatically shuts down the engine.

#### DATA DISPLAY



**Voltage:**  
Displays current voltage output.



**Frequency (Hz):**  
Displays power output frequency in Hertz.



**Lifetime Hours:**  
Displays the lifetime run hours.



**Run Time/Maintenance:**  
Displays current run time. Resets to zero when shut down. Maintenance reminder displayed when required.



Push the Mode button to cycle through the data display modes.



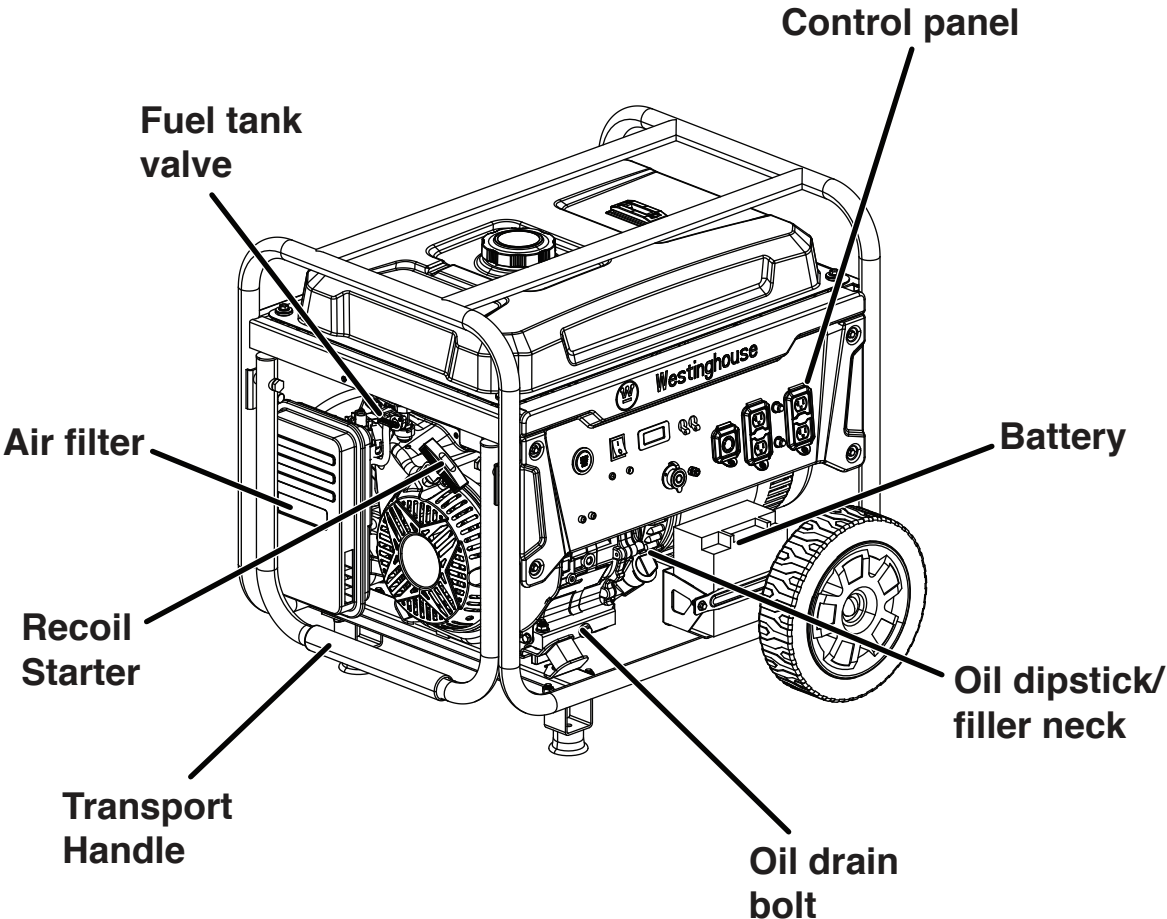
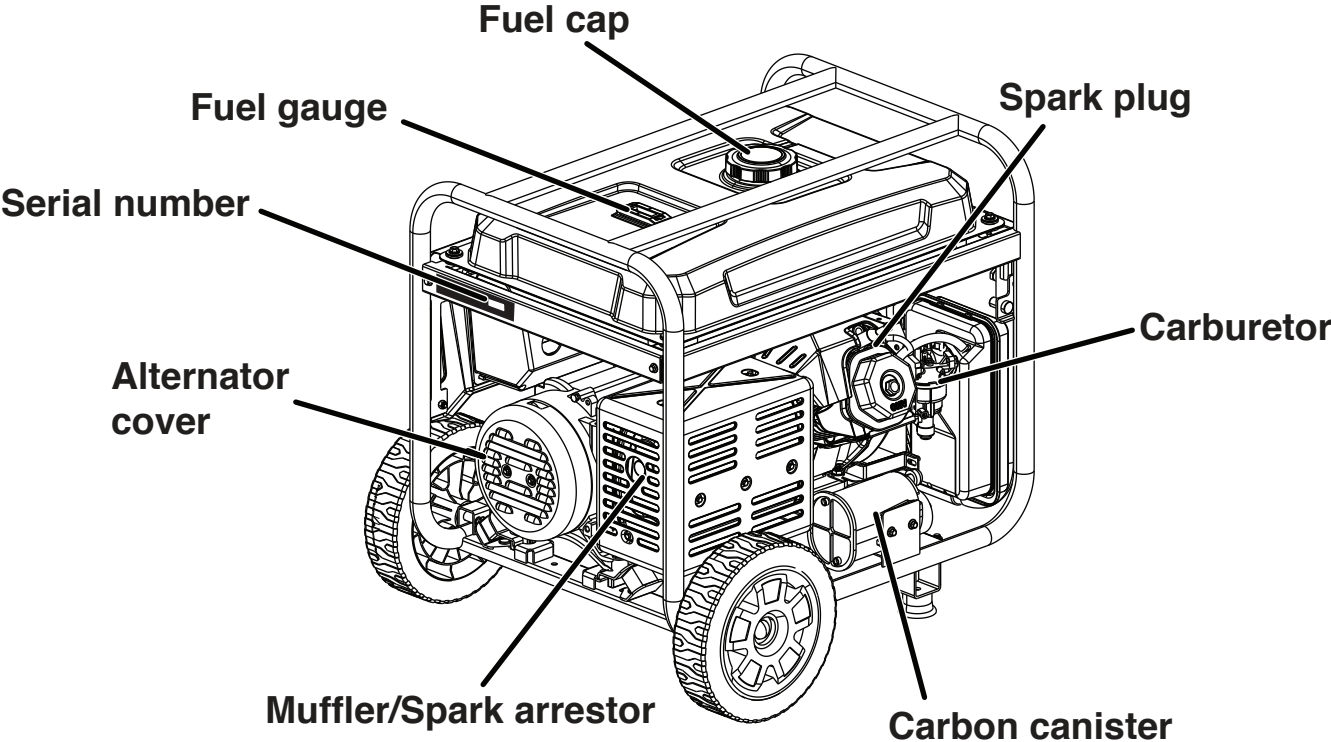
Mode Button

#### Maintenance Codes:

P25: Change engine oil  
P50: Clean air filter, Change engine oil  
P100: Change engine oil, clean air filter, replace fuel filter

# COMPONENTS

## GENERATOR COMPONENTS



# ASSEMBLY

## ASSEMBLY

### CARTON CONTENTS

#### ⚠ CAUTION

Weight hazard. **ALWAYS** have assistance when lifting the generator.

1. Carefully open the carton.
2. Remove and save the carton contents.
3. Remove and discard the packing tray.
4. Unfold the top of the plastic bag enclosing the generator.
5. Carefully cut the vertical corners of the carton to access the generator.
6. Recycle or dispose of the packaging materials properly.

### CARTON CONTENTS

- User manual
- Quick Start Guide
- Remote start key fob (attached to recoil starter)
- Bottle of SAE 10W-30 Oil
- Battery charger
- Spark plug socket wrench
- Oil Funnel
- Assembly wrench
- Wheel and mounting foot components

Item	Quantity
• Mounting foot	2
• Flange bolt, M8	4
• Wheel	2
• Axle pin	2
• Washer	2
• Cotter pin	2

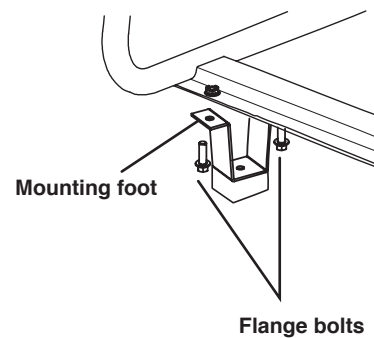
If any parts are missing, contact our service team at [service@wpowereq.com](mailto:service@wpowereq.com) or call 1-855-944-3571.

## INSTALL FEET AND WHEELS

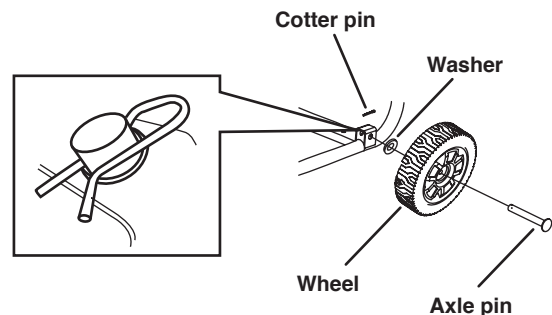
### NOTICE

Assembling the generator will require lifting the unit on one side. Install the mounting feet and wheel before adding fuel or oil.

1. Place generator on a flat surface.
2. Tip the generator on a piece of cardboard or other soft material to protect the frame paint and prevent the generator from sliding.
3. With the included wrench, install the mounting feet to the frame as shown.



4. Install the wheels as shown.



**Note:** The wheels are only intended for hand transport. The wheels are not suitable for towing the generator either on or off-road.

## INITIAL OIL FILL

### NOTICE

**THIS GENERATOR HAS BEEN SHIPPED WITHOUT OIL. DO NOT** attempt to crank or start engine before it has been properly serviced with recommended oil. Failure to add engine oil before starting will result in serious engine damage.

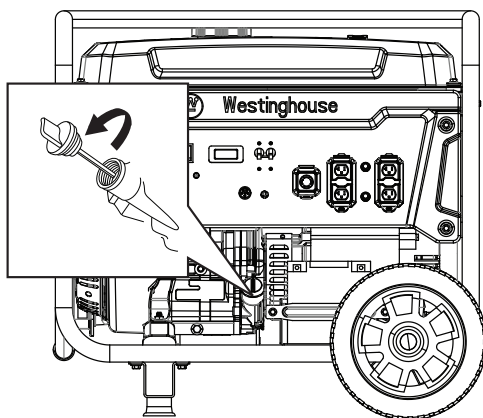
### NOTICE

Use of 2-stroke/cycle oil or other unapproved oil types can cause severe engine damage that is not covered under warranty.

The included, recommended oil type for typical use is 10W-30 engine oil. If running the generator in extreme temperatures, refer to the following chart.

Recommended Engine Oil Type									
			10W-30						
	5W-30					10W-40			
	5W-30 Synthetic								
°F	-20	0	20	40	60	80	100	120	
°C	-28.9	-17.8	-6.7	4.4	15.6	26.7	37.8	48.9	
	Ambient temperature								

1. On a level surface, remove the oil dipstick.



2. Using the supplied funnel and oil, add oil into oil filler neck.

**Note:** As residual oil from the factory may remain in the engine, add the oil incrementally near the end of the bottle to prevent overfilling the engine. See Engine Oil Level Check in the Maintenance section.

3. Replace the oil dipstick and hand-tighten.

## FUEL

### ⚠ WARNING

Fire and explosion hazard. **NEVER** use a gasoline container, gasoline tank, propane connector hose, propane tanks, or any other fuel item that is broken, cut, torn or damaged.

### ⚠ DANGER

Fire and explosion hazard. **DO NOT** overfill fuel tank. Fill only to the red fill ring located in the in-tank fuel screen filter. Overfilling may cause fuel to spill onto engine causing a fire or explosion hazard.

### ⚠ DANGER

Fire and explosion hazard. **NEVER** refuel the generator while the engine is running. **ALWAYS** turn the engine off and allow the generator to cool for two minutes before refueling.

### NOTICE



**DO NOT** use E15 or E85 fuel in this product. Engine or equipment damage caused by stale fuel or the use of unapproved fuels (such as E15 or E85 ethanol blends) is not covered by warranty. Only use unleaded gasoline containing up to 10% ethanol.

## FUEL REQUIREMENTS

- CLEAN, FRESH, unleaded gasoline, 87–93 octane.
- Up to 10% ethanol (gasohol) is acceptable (where available; non-ethanol fuel is recommended).
- **DO NOT** use E85 or E15.
- **DO NOT** use a gas oil mix.
- **DO NOT** modify the engine to run on alternate fuels.
- **DO NOT** fuel indoors.
- **DO NOT** create a spark or flame while fueling.

## USING FUEL STABILIZER

Adding a fuel stabilizer (not included) extends the usable life of fuel and helps prevent deposits from forming that can clog the fuel system. Follow the manufacturer's instructions for use.

**ALWAYS** mix the correct amount of fuel stabilizer to gasoline in an approved gasoline container before fueling the generator. Run the generator for five minutes to allow the stabilizer to treat the entire fuel system.

# ASSEMBLY

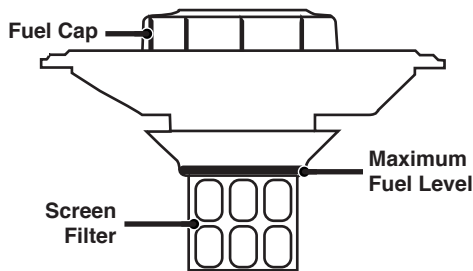
## FILLING THE FUEL TANK

1. Turn the generator OFF and allow to cool for a minimum of two minutes before fueling.
2. Place the generator on level ground in a well ventilated area.
3. Clean area around fuel cap and remove the cap slowly.

### NOTICE

Only fill the tank from an approved gasoline container. Make sure the gasoline container is internally clean and in good condition to prevent fuel system contamination.

4. Slowly add the recommended fuel. **DO NOT** overfill. Fill only to the red maximum fill ring on the fuel screen filter visible in the filler neck.



5. Install the fuel cap.

### NOTICE

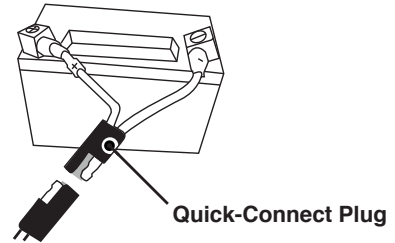
Fuel can damage paint and plastic. Use caution when filling the fuel tank. Damage caused by spilled fuel is not covered under warranty.

### NOTICE

Clean the fuel screen filter of debris before and after each fueling. Remove the fuel screen filter by slightly compressing it while removing it from the fuel tank.

## CONNECT THE BATTERY

A quick-connect battery plug is pre-installed on the battery. Remove the cable tie securing the plugs then push firmly to connect them.



**Note:** The generator is equipped with a battery charging feature. Once the engine is running, a small charge will slowly recharge the battery.

## OPERATION

### GENERATOR LOCATION

Read and understand all safety information before starting the generator.

#### ⚠ DANGER

Using a generator indoors CAN KILL YOU IN MINUTES. Generator exhaust contains carbon monoxide. This is a poison you cannot see or smell.



NEVER use inside a home or garage, EVEN IF doors and windows are open.



Only use OUTSIDE and far away from windows, doors, and vents.

NEVER operate the generator inside any building, including garages, basements, crawlspaces, sheds, enclosure, or compartment, including the generator compartment of a recreational vehicle.

#### ⚠ DANGER

Electrocution hazard. NEVER use the generator in a location that is wet or damp. NEVER expose the generator to rain, snow, water spray, or standing water while in use. Protect the generator from all hazardous weather conditions. Moisture or ice can cause a short circuit or other malfunction in the electrical circuit. Using a generator or electrical appliance in wet conditions, such as rain or snow, or near a pool or sprinkler system, or when your hands are wet, could result in electrocution.

#### ⚠ WARNING

Fire hazard. Only operate the generator on a solid, level surface. Operating the generator on a surface with loose material such as sand or grass clippings can cause debris to be ingested by the generator that could block cooling vents or the air intake system. Allow the generator to cool for 30 minutes before transport or storage.

The generator should be on a flat, level surface at all times (Even while not in operation). The generator must have at least 5 ft. (1.5 m) of clearance from all combustible material.

DO NOT operate the generator in the back of a SUV, camper, trailer, truck bed (regular, flat, or otherwise), under stairs, next to walls or buildings, or in any other location that will not allow for adequate cooling of the generator and/or the muffler. DO NOT contain generators during operation.

#### ⚠ DANGER

Asphyxiation hazard. Place the generator in a well-ventilated area. DO NOT place the generator near vents or intakes where exhaust fumes could be drawn into occupied or confined spaces. Carefully consider wind and air currents when positioning the generator.

### GROUNDING

#### ⚠ WARNING

Shock hazard. Failure to properly ground the generator can result in electric shock.

#### NOTICE

Only use grounded 3-prong extension cords, tools, and appliances, or double-insulated tools and appliances.

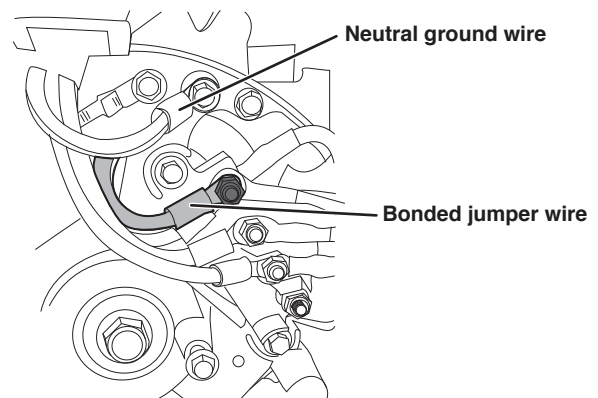
The generator neutral is bonded to the frame. There is a permanent conductor between the generator (stator wire) and the frame. If this generator will be used only with cord and plug equipment connected to the receptacles mounted on the generator, National Electric Code does not require that the unit be grounded. However, other methods of using the generator may require grounding to reduce the risk of shock or electrocution.

Before using the ground terminal, consult a qualified electrician, electrical inspector, or local agency having jurisdiction for local codes or ordinances that apply to the intended use of the generator.

### DISCONNECTING THE BONDED NEUTRAL

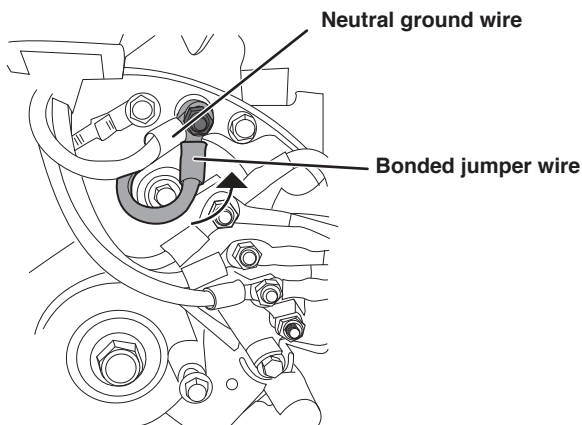
Removing the bonded neutral disables the GFCI protection from the 5-20R receptacles. The bonded neutral should only be removed under specific circumstances. Consult a qualified electrician to determine if your situation requires disconnecting the bonded neutral.

1. Remove the alternator cover.
2. Remove the bonded jumper wire and reinstall the nut.



# OPERATION

3. Remove the nut securing the neutral ground wire and attach the bonded jumper wire. Reinstall the nut.



4. Reinstall the alternator cover.

**IMPORTANT:** Apply a new “NEUTRAL UNBONDED” Label over the “NEUTRAL BONDED TO FRAME” label on the front of the control panel.

## HIGH ALTITUDE OPERATION

Engine power is reduced the higher you operate above sea level. Output will be reduced approximately 3.5% for every 1000 feet of increased altitude from sea level.

High altitude adjustment is required for operation at altitudes over 5,000 ft. (1524 m). Operation without this adjustment will cause decreased performance, increased fuel consumption, and increased emissions.

### NOTICE

**DO NOT** operate the generator at altitudes below 2,000 ft. (762 m) with the high altitude kit installed. Engine damage may occur.

**High Altitude Carburetor Kit: Part# 518063**

## REMOTE START

### ▲ WARNING

Verify that the area around the generator is clear before remote starting the generator.

The remote start key fob included with the generator should be attached to the recoil handle or control panel. If your unit was shipped without a key fob, contact Westinghouse customer service.

The generator can be started remotely from up to 99 feet (30 meter) using the remote start key fob.

**Note:** As the batteries in the remote start key fob drain, operational distance will decrease.

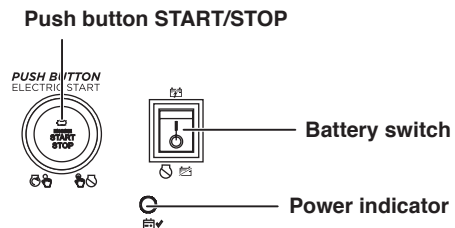
## PAIRING THE REMOTE START

**Remote replacement batteries: (2) CR2016**

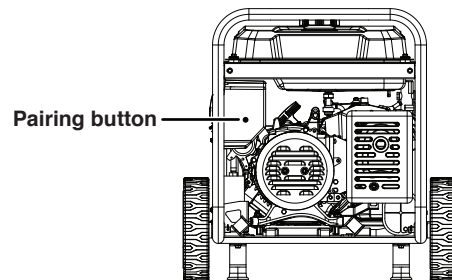
**Replacement remote start: Part# 100714A**

If the remote start key fob is replaced or needs re-paired to the generator, follow this procedure.

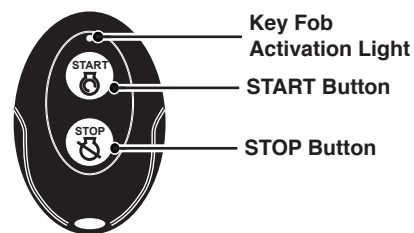
1. Turn the generator battery switch to the ON position. The power indicator light will illuminate.



2. Push and hold the red Pairing button on the side of the control panel until the START/STOP button illuminates.



3. Push and hold the STOP button on the key fob until the START/STOP button illumination turns OFF. Release the button. The START/STOP button will illuminate after the button is released.



4. Push and hold the START button on the key fob until the START/STOP button illumination turns OFF. Release the button. The START/STOP button will illuminate after the button is released.
5. Push the Pairing button on the side of the control panel until the START/STOP button illumination turns OFF. Release the button.
6. Turn the generator battery switch to the OFF position. The remote is now paired.



## BREAK-IN PERIOD

For proper break-in, **DO NOT** exceed 50% of the rated running watts (3750 watts) during the first five hours of operation.

Vary the load occasionally to allow stator windings to heat and cool and help seat the piston rings.

## BEFORE STARTING THE GENERATOR

Verify that:

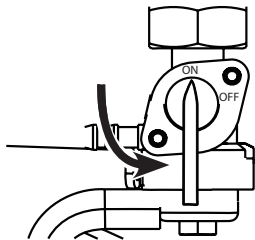
- The generator is placed in an safe, appropriate location.
- The generator is on a dry, flat, and level surface.
- The engine is filled with oil.
- All loads are disconnected.

### ⚠ DANGER

Fire and explosion hazard. **DO NOT** move or tip the generator during operation.

## STARTING THE ENGINE

1. Verify that gasoline is in the fuel tank.
2. Turn the fuel tank valve to the ON position.

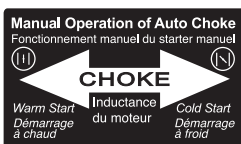
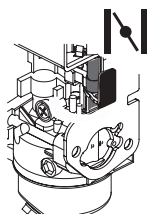


3. Push the battery switch to the ON position.
4. Choose the starting method:
  - a. **Remote Start:** Push and hold the START button on the remote start key fob for one second.

**Note:** Remote start-equipped generators must be restarted with the START/STOP switch on the control panel after an automatic shut-down occurs.

- b. **Push-Button Start:** Push and hold the engine START/STOP button for two seconds.

- c. **Recoil Start:** Manually close the choke if the engine is cold. Firmly grasp and pull the recoil handle slowly until you feel increased resistance, then pull rapidly.



**Note:** During Push-Button or Remote Start the engine will automatically set the choke and begin the start sequence. If the engine fails to start, the generator will attempt to start the engine two more times.

## STOPPING THE ENGINE

1. Turn off and unplug all connected electrical loads.

**IMPORTANT:** NEVER start or stop the generator with electrical devices connected.

2. Let the generator run with no load for several minutes to stabilize internal temperatures of the engine.
3. Push and hold the START/STOP button for one second or push STOP on the remote start key fob for one second.

**Note:** Alternately, if the generator is used infrequently, turn the fuel tank valve to the OFF position to limit the residual fuel remaining in the carburetor float bowl. The engine will stop when fuel in the carburetor and fuel line is exhausted.

4. Push the battery switch to the OFF position.
5. If operating on LPG, turn the propane tank valve to the fully closed position.

## FREQUENCY OF USE

If the generator will be used on an infrequent or intermittent basis (more than one month before next use), refer to the Battery Maintenance and Storage sections of this manual for information regarding battery charging and fuel deterioration.

## AC CIRCUIT BREAKERS

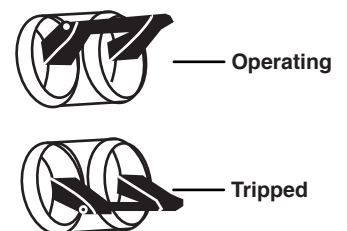
The circuit breakers will automatically switch OFF if there is a short circuit or a significant overload of the generator at each receptacle.

If an AC circuit breaker switches OFF automatically, check that the appliance is working correctly and it does not exceed the rated load capacity of the circuit before resetting the AC circuit breaker ON.

### Outlet Circuit Breakers



### Main Circuit Breaker



# OPERATION

## GENERATOR CAPACITY

### NOTICE

**DO NOT** overload the generator's capacity. Exceeding the generator's wattage/amperage capacity can damage the generator and/or electrical devices connected to it.

Make sure the generator can supply enough continuous (running) and surge (starting) watts for the items you will power at the same time.

The total power requirements (Volts x Amps = Watts) of all appliances connected must be considered. Appliance and power tool manufacturers usually list rating information near the model or serial number.

To determine power requirements:

1. Select the items you will power at the same time.
2. Total the continuous (running) watts of these items. This is the amount of power the generator must produce to keep the items running. See the wattage reference chart on the next page.
3. Estimate how many surge (starting) watts you will need. Surge wattage is the short burst of power needed to start electric motor-driven tools or appliances such as a circular saw or refrigerator. Because not all motors start at the same time, total surge watts can be estimated by adding only the item(s) with the highest additional surge watts to the total rated watts from step 2.

#### Example:

Tool or Appliance	Running Watts*	Starting Watts*
RV Air Conditioner (11,000 BTU)	1010	1600
TV (Tube Type)	300	0
RV Refrigerator	180	600
Radio	200	0
Light (75 Watts)	300	0
Coffee Maker	600	0
	2590 Total Running Watts*	1600 Highest Starting Watts*
	Total Running Watts	2590
	Highest Starting Watts	+ 1600
	<b>Total Starting Watts Needed</b>	<b>4190</b>

\*Wattages listed are approximate. Verify actual wattage.

## POWER MANAGEMENT

To prolong the life of the generator and attached devices, use care when adding electrical loads to the generator. There should be nothing connected to the generator outlets before starting the engine. The correct and safe way to manage generator power is to sequentially add loads as follows:

1. With nothing connected to the generator, start the engine as described in this manual.
2. Plug in and turn on the first load, preferably the largest load you have.
3. Permit the generator output to stabilize (engine runs smoothly and attached device operates properly).
4. Plug in and turn on the next load.
5. Again, permit the generator to stabilize.
6. Repeat steps 4 and 5 for each additional load.

### Wattage Reference

Tool or Appliance	Estimated Running Watts*	Estimated Starting Watts*
Incandescent Lights (4 Quantity x 75 Watts)	300	0
TV (Tube Type)	300	0
Sump Pump (1/3 hp)	800	1300
Refrigerator or Freezer	700	2200
Well Pump (1/3 hp)	1000	2000
Furnace (1/2 hp)	800	2350
Radio	200	0
Drill (3/8", 4 amps)	440	600
Circular Saw (Heavy Duty, 7-1/4")	1400	2300
Miter Saw (10")	1800	1800
Table Saw (10")	2000	2000

\*Wattages listed are approximate. Verify actual wattage.

## EXTENSION CORDS

### ⚠ WARNING

Asphyxiation hazard. Extension cords running directly into the home increase the risk of carbon monoxide poisoning through any openings. If an extension cord running directly into your home is used to power indoor items, there is a risk of carbon monoxide poisoning to people inside the home. **ALWAYS** use battery-powered carbon monoxide detector (s) that meet current UL 2034 safety standards when running the generator. Regularly check the detector (s) battery.

### ⚠ WARNING

Asphyxiation hazard. When operating the generator with extension cords, make sure the generator is located in an open, outdoor area, far away from occupied spaces with exhaust pointed away.

### ⚠ WARNING

Fire and electrocution hazard. **NEVER** use worn or damaged extension cords. Damaged or overloaded extension cords could overheat, arc, and burn resulting in death or serious injury.

Before connecting an AC appliance or power cord to the generator:

- Use grounded 3-prong extension cords, tools, and appliances, or double-insulated tools and appliances.
- Make sure the tool or appliance is in good working order. Faulty appliances or power cords can create a potential for electric shock.
- Make sure the electrical rating of the tool or appliance does not exceed the rated power of the generator or the receptacle being used.

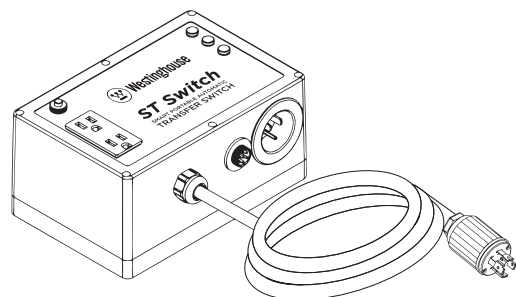
## EXTENSION CORD SIZING

Only use grounded 3-prong extension cords marked for outdoor use that are rated for the electrical load.

Total Amperage	Minimum Gauge, Outdoor Rated	
	Up to 50 FT (15 M)	Up to 100 FT (30 M)
Up to 10A	12	8
Up to 15A	10	8
Up to 20A	10	6
Up to 30A	8	6
Up to 35A	6	6

## ST SWITCH

The wGen7500 is compatible with the ST Switch, purchased separately. When utility power is on it will provide power (up to 120V @ 20A) to the appliances plugged into the 5-20R receptacle on the ST Switch. When utility power is lost the ST Switch automatically transfers input power from utility to generator power. When utility power is restored, the ST Switch transfers input power back to utility. Visit [www.westinghouseoutdoorpower.com](http://www.westinghouseoutdoorpower.com) for more information.



# OPERATION

---

## TRANSPORTING

### ⚠ CAUTION

Weight hazard. **ALWAYS** have assistance when lifting the generator.

- Allow the generator to cool a minimum of 30 minutes before transporting.
- If operating on LPG, turn the propane tank valve to the fully closed position.
- Disconnect the LPG/propane hose from the generator and propane tank.
- Replace all protective covers on the generator control panel.
- Only use the generator's fixed frame to lift the unit or attach any load restraints such as ropes or tie-down straps. **DO NOT** attempt to lift or secure the generator by holding onto any of its other components.
- Keep the unit level during transport to minimize the possibility of fuel leakage or, if possible, drain the fuel or run the engine until the fuel tank is empty before transport.
- The generator wheels are only intended for hand transport. The wheels are not suitable for towing the generator either on or off-road.
- The generator wheels (if equipped) are only intended for hand transport. The wheels are not suitable for towing the generator either on or off-road.
- Use the extendable handle for one-person, hand transport. Only use the handle while the generator is OFF, stationary, and resting on a horizontal surface. **DO NOT** use the handle to lift the generator entirely off the ground, tow it, or up-end it..

### ⚠ CAUTION

Fire hazard. **DO NOT** up-end the generator or place it on its side. Fuel or oil can leak and damage to the generator may occur.

## MAINTENANCE

### ⚠ WARNING

Accidental start-up. Disconnect the spark plug boot from the spark plug and disconnect the battery quick-connect plugs when performing maintenance on the generator.

## MAINTENANCE SCHEDULE

Regular maintenance will improve performance and extend the service life of the generator. Follow the hourly or calendar intervals, whichever occurs first. More frequent service is required when operating in adverse conditions as noted below.

Before Each Use
Check engine oil
After First 25 Hours or First Month
Change engine oil
After 50 Hours or Every 6 Months
Change engine oil <sup>1</sup> Clean air filter <sup>2</sup>
After 100 Hours or Every 6 Months
Inspect/clean spark arrestor Inspect/clean spark plug Fuel valve maintenance Inspect/adjust valve clearance <sup>3</sup>
After 300 Hours or Every Year
Replace spark plug Replace air filter

- <sup>1</sup> Change oil every month when operating under heavy load or in high temperatures.
- <sup>2</sup> Clean more often under dirty or dusty conditions. Replace air filter if it cannot be adequately cleaned.
- <sup>3</sup> Recommend service to be performed by authorized Westinghouse service dealer.

## MAINTENANCE REMINDERS

Maintenance reminder codes will be shown on the Data Display based on unit Lifetime Hours. The maintenance codes will be displayed until the unit is turned off. Refer to the Maintenance section for specific procedures.

Maintenance Code	Required Maintenance
P25	Change engine oil
P50	Change engine oil, clean air filter
P100	<ul style="list-style-type: none"> <li>Change engine oil</li> <li>Clean air filter</li> <li>Fuel valve maintenance</li> <li>Inspect/adjust valve clearance</li> </ul>

## MAINTENANCE REPLACEMENT PARTS

Description	Part Number
Air filter	5205
Oil drain plug crush washer	94004
Spark arrestor	6866
Battery, 9.0 AH	511008
Spark plug	97108 (F7TC)

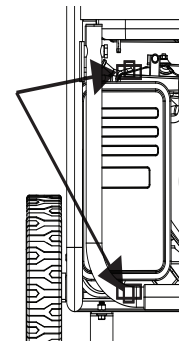
## AIR FILTER MAINTENANCE

### ⚠ WARNING

Fire hazard. **NEVER** use gasoline or other flammable solvents to clean the air filter. Use only household detergent soap to clean the air filter.

The air filter must be cleaned after every 50 hours of use or six months (frequency should be increased if the generator is operated in a dusty environment).

- Place the generator on a level surface and allow the engine to cool for several minutes.
- Release the top and bottom clips then remove the air filter cover.



- Remove the air filters. Use compressed air to clean the coarse air filter.

**Note:** The foam air filter element is oil soaked. Use an appropriate cleaning container.

### NOTICE

Avoid skin contact with engine oil. Wear protective clothing and equipment. Wash all exposed skin with soap and water.

- Remove the foam air filter and wash it by submerging the element in a solution of household detergent soap and warm water. Slowly squeeze the foam to thoroughly clean.

# MAINTENANCE

## NOTICE

**DO NOT** twist or tear the foam air filter element during cleaning or drying. Only apply slow but firm squeezing action.

- Rinse the air filter element by submerging it in fresh water and applying a slow squeezing action. Allow the filter to dry thoroughly.

## NOTICE

**DO NOT** pollute. Follow the guidelines of the EPA or other governmental agencies for proper disposal of hazardous materials. Consult local authorities or reclamation facility.

- Dip the foam air filter in clean engine oil then squeeze out all excess oil. The engine will smoke when started if too much oil is left in the filter.
- Install the foam air filter in the housing, then the coarse air filter. Install the air cleaner cover and secure with the cover clips.

## ENGINE OIL LEVEL CHECK

### ⚠ CAUTION

Avoid skin contact with engine oil. Wear protective clothing and equipment. Wash all exposed skin with soap and water.

## NOTICE

**ALWAYS** use the specified engine oil. Failure to use the specified engine oil can cause accelerated wear and/or shorten the life of the engine.

When using the generator under extreme, dirty, dusty conditions or in extremely hot weather, change the oil more frequently.

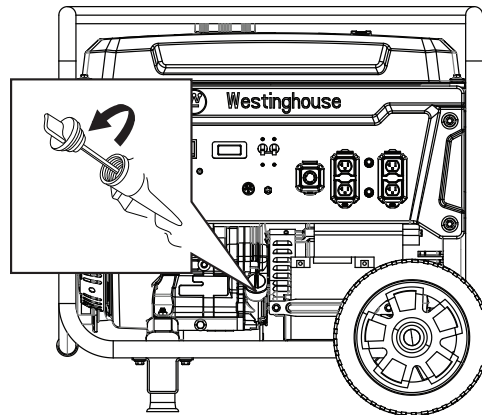
Ambient air temperature will affect engine oil performance. Change the type of engine oil used based on weather conditions.

Recommended Engine Oil Type									
		10W-30							
	5W-30					10W-40			
	5W-30 Synthetic								
°F	-20	0	20	40	60	80	100	120	
°C	-28.9	-17.8	-6.7	4.4	15.6	26.7	37.8	48.9	
Ambient temperature									

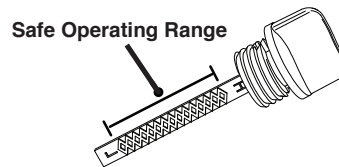
Check the engine oil level before each use or every 8 hours of operation.

- Place the generator on a level surface and allow the engine to cool for several minutes.

- With a damp rag, clean around the oil dipstick then remove the dipstick.



- Wipe the dipstick clean, then insert it into the oil filler neck without screwing it in. Remove the dipstick and verify that the oil level is within safe operating range between the low (L) and high (H) marks on the dipstick.



- If low, add recommended engine oil incrementally and recheck until the level is between the L and H marks on the dipstick. **DO NOT** overfill. If over the full mark on the dipstick, drain the oil to reduce the oil level to the full mark.
- Replace the oil dipstick and hand-tighten.

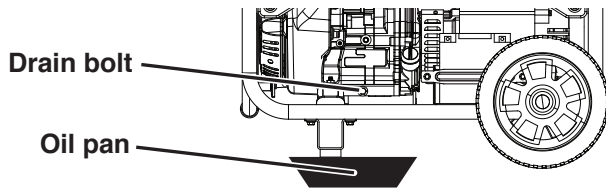
## ENGINE OIL CHANGE

When using the generator under extreme, dirty, dusty conditions or in extremely hot weather, change the oil more frequently. Change the oil while the engine is still warm from operation.

- Place the generator on a level surface and allow the engine to cool for several minutes.
- With a damp rag, clean around the oil dipstick. Remove the dipstick and wipe clean.
- Place an oil pan (or suitable container) under the oil drain bolt.

# MAINTENANCE

- Using a 10mm wrench, remove the oil drain bolt and allow the oil to drain.



- Install the oil drain bolt and tighten securely.

**Note:** A new oil drain plug crush washer is recommended at each oil change.

- Slowly pour oil into the oil filler neck until the oil level is between the L and H marks on the dipstick. Stop frequently to check the oil level. **DO NOT** overfill.

**Maximum oil capacity: 1.16 Quart (1.1 Liter)**

- Install the oil dipstick and hand-tighten.

## NOTICE

**DO NOT** pollute. Follow the guidelines of the EPA or other governmental agencies for proper disposal of hazardous materials. Consult local authorities or reclamation facility.

## SPARK PLUG MAINTENANCE

Inspect and clean the spark plug after every 100 hours of use or six months. Replace the spark plug after 300 hours of use or every year.

## NOTICE

**ALWAYS** use the Westinghouse OEM or compatible non-resistor-type spark plug. Use of resistor-type spark plug can result in rough idling, misfire, or may prevent the engine from starting.

- Place the generator on a level surface and allow the engine to cool.
- Remove the spark plug boot by firmly pulling the spark boot directly away from the engine.
- Clean the area around the spark plug.
- Remove the spark plug with the included spark plug socket wrench.

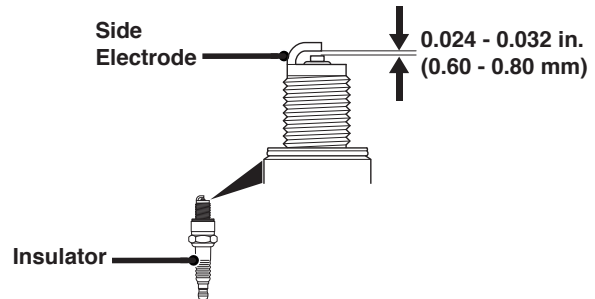
## NOTICE

**NEVER** apply any side load or move the spark plug laterally when removing the spark plug.

- Inspect the spark plug. Replace if electrodes are pitted, burned, or the insulator is cracked. Only use a recommended replacement plug.

- Measure the spark plug electrode gap with a wire-type feeler gauge. If necessary, correct the gap by carefully bending the side electrode.

**Spark plug gap: 0.024 – 0.032 in. (0.60 – 0.80 mm)**



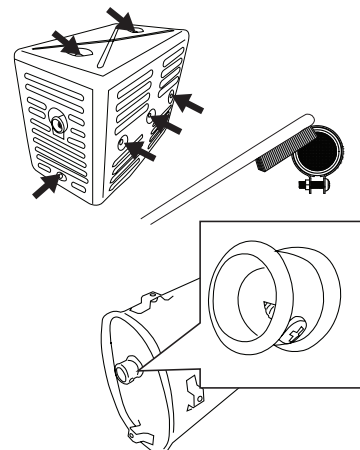
- Carefully install the spark plug finger tight, then tighten as additional 3/8 to 1/2 turn with the spark plug wrench.

- Attach the spark plug boot.

## SPARK ARRESTOR SERVICE

Allow the muffler to cool completely before servicing the spark arrester. Check and clean the spark arrester after every 100 hours of use or six months. Failure to clean the spark arrester will result in degraded engine performance.

- Place the generator on a level surface.
- Remove the cover screws and the muffler cover. Use a screw driver to remove the spark arrester.



- Carefully remove the carbon deposits from the spark arrester screen with a wire brush. The spark arrester must be free of breaks and tears. Replace the spark arrester if damaged.

- Reinstall the spark arrester and muffler cover.

# MAINTENANCE

## BATTERY MAINTENANCE

### ⚠ WARNING

Explosion hazard. Batteries emit explosive gases while charging. Keep fire and spark away.

The battery shipped with the generator has been fully charged. A battery may lose some charge when not in use for prolonged periods of time.

**Note:** Once started, the generator will charge the battery after 30–60 minutes of use.

The included trickle charger can remain connected and will maintain the battery for an indefinite period of time. A red light on the charger indicates charging in progress. A green light indicates charging complete. Charge in a dry location.

1. Plug the charger into the battery charging port on the control panel.
2. Plug the wall receptacle end of the battery charger into a 120 Volt AC wall outlet.

## BATTERY REPLACEMENT

### ⚠ WARNING

Burn hazard. The battery contains sulfuric acid (electrolyte) which is highly corrosive and poisonous. Wear protective clothing and eye protection when working near the battery. Keep children away from the battery.

### ⚠ CAUTION

Battery posts, terminals contain lead and lead compounds. Wash hands after handling.

1. Loosen and remove the bolt on the battery hold-down plate and swing the plate out.
2. Disconnect the quick-connect plugs and remove the battery from the unit.
3. Disconnect the quick-disconnect cable leads from the battery.
4. On the replacement battery, connect the white (-) quick-connect cable to the battery negative terminal. Slide the rubber boot over the connection hardware.
5. Connect the red (+) quick-connect cable to the battery positive terminal. Slide the rubber boot over the connection hardware.
6. Install the battery into the generator. Reinstall the battery hold-down plate and tighten the bolt.

7. Connect the quick-connect plug.

### NOTICE

Dispose of the used battery properly according to the guidelines established by your local or state government.

## STORAGE

Proper storage preparation is required for trouble-free operation and generator longevity.

### NOTICE

Gasoline stored for as little as 30 days can deteriorate, causing gum, varnish, and corrosive buildup in fuel lines, fuel passages, and the engine. This corrosive buildup restricts the flow of fuel, which can prevent the engine from starting after a prolonged storage period. The use of fuel stabilizer significantly increases the storage life of gasoline. Full-time use of fuel stabilizer is recommended. Follow the manufacturer's instructions for use.

STORAGE TIME	RECOMMENDED PROCEDURE
Less than 1 month	No service required.
2 to 6 months	Fill with fresh gasoline and add gasoline stabilizer. Drain the carburetor float bowl.
6 months or longer	Drain the fuel tank and carburetor float bowl.

## SHORT TERM STORAGE

- Allow the generator to cool a minimum of 30 minutes before storage.
- If operating on LPG, turn the propane tank valve to the fully closed position and disconnect the LPG/propane hose from the generator and propane tank.
- Replace all protective covers on the generator control panel.
- Wipe the generator with a moist cloth. Clean any debris from the muffler cooling vents.
- Store the generator in a well-ventilated, dry location away from sparks, open flames, pilot lights, heat, and other sources of ignition such as areas with a spark-producing electric motor or where power tools are operated.
- **DO NOT** store the generator, gasoline, or propane tanks near furnaces, water heaters, or any other appliances that produce heat or have automatic ignitions.
- With the engine and exhaust system cool and all surfaces dry, cover the generator to keep out dust. **DO NOT** use a plastic sheet as a dust cover. Non-porous materials trap moisture and promote rust and corrosion.



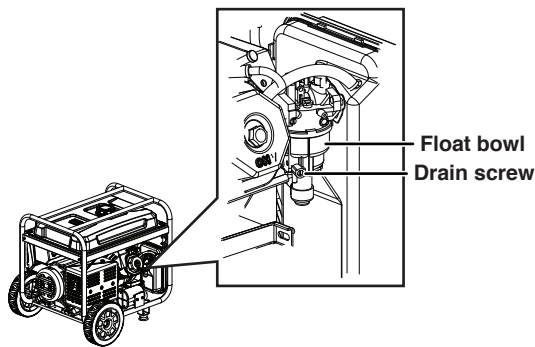
# MAINTENANCE

## LONG TERM STORAGE

Even properly stabilized fuel can leave residue and cause corrosion if left long term. If storing the generator for two to six months, drain the float bowl to prevent gum and varnish buildup in the carburetor.

## DRAINING THE FLOAT BOWL

1. Turn the fuel tank valve to the OFF position.
2. Locate the drain screw on the bottom of the carburetor float bowl.



3. Place an appropriate gasoline container under the drain screw to catch the drained fuel.
4. Loosen the float bowl drain screw and allow the fuel to drain. Tighten the float bowl drain screw.

## DRAINING THE FUEL TANK

If storing the generator for longer than six months, drain the fuel tank to prevent fuel separation, deterioration, and deposits in the fuel system.

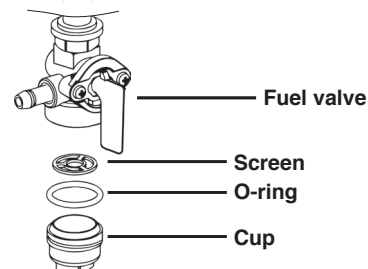
1. Unscrew the fuel tank cap. Remove the fuel screen filter by slightly compressing it while removing it from the tank.
2. Using a commercially available gasoline hand pump (not included), siphon the gasoline from the fuel tank into an approved gasoline container. **DO NOT** use an electric pump.
3. Reinstall the fuel screen filter and the fuel tank cap.
4. Start the generator and allow it to run until the generator engine stops.
5. Push the battery switch to the OFF position.
6. Disconnect the battery quick-connect plugs.
7. Remove the spark plug.

8. Put a teaspoon of engine oil into the cylinder and pull the recoil handle until resistance is felt. At this position the piston is coming up on its compression stroke and both valves are closed. Storing the engine in this position will help prevent internal corrosion. Return the recoil handle gently.

## FUEL VALVE MAINTENANCE

The fuel valve is equipped with a fuel sediment cup, screen, and o-ring. The fuel valve does not require servicing if the unit is properly maintained with fresh, clean fuel. If fuel-related troubleshooting is required, perform fuel valve maintenance.

1. Allow the generator to cool completely.
2. Turn the fuel valve to the OFF position.
3. Remove the sediment cup from the fuel valve. Remove the o-ring and screen.



4. Wash the sediment cup, o-ring, and screen in a nonflammable solvent. Dry thoroughly.
5. Place the screen and o-ring into the fuel valve. Install the sediment cup and tighten securely.
6. Turn the fuel valve to the ON position and check for leaks. Replace the fuel valve if there is any leakage.
7. Reinstall the spark plug. Leave the spark plug boot disconnected to prevent accidental starting.

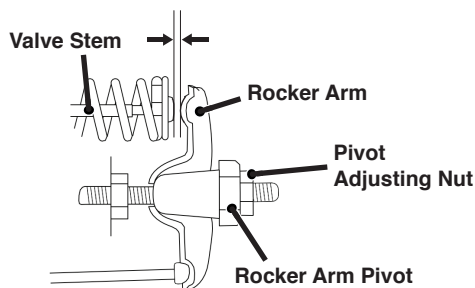
# MAINTENANCE

## VALVE CLEARANCE

### NOTICE

Checking and adjusting valve clearance must be done when the engine is cold.

1. Remove the rocker arm cover and carefully remove the gasket. If the gasket is torn or damaged, it must be replaced.
2. Remove the spark plug so the engine can be rotated more easily.
3. Rotate the engine to Top Dead Center (TDC) by pulling the recoil handle slowly. Looking through the spark plug hole, the piston should be at the top (both valves are closed).
4. Both the rocker arms should be loose at TDC on the compression stroke. If they are not, rotate the engine 360°.
5. Insert a feeler gauge between the rocker arm and the valve stem to measure valve clearance.



	Intake Valve	Exhaust Valve
Valve Clearance	0.0031 – 0.0047 in (0.08 – 0.12 mm)	0.0051 – 0.0067 in (0.13 – 0.17 mm)
Torque	8-12 N·m	8-12 N·m

6. If an adjustment is necessary, hold the rocker arm pivot and loosen the pivot adjusting nut.
7. Turn the rocker arm pivot to obtain the specified clearance. Hold the rocker arm pivot and re-tighten the pivot adjusting nut to the specified torque.

**Torque: 106 inch-pound (12 N·m)**

8. Perform this procedure for the other valve.
9. Install the gasket, rocker arm cover, and spark plug.

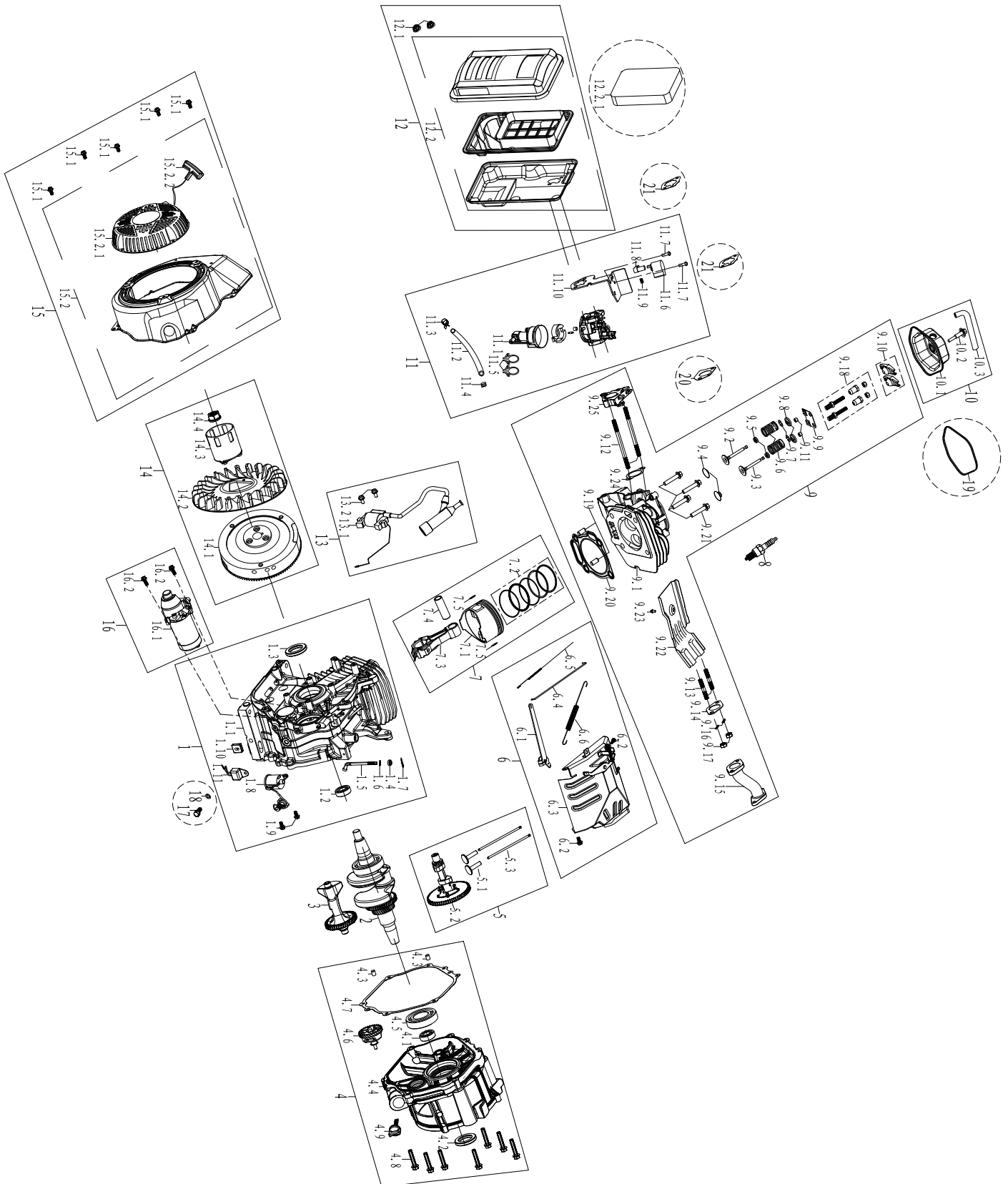
# TROUBLESHOOTING

PROBLEM	POSSIBLE CAUSE	CORRECTION
<b>TROUBLESHOOTING</b>  Engine will not start	Battery switch in the OFF position.	Turn battery switch to the ON position.
	Out of fuel.	Refuel.
	Bad fuel, generator stored without treating or draining gasoline, or refueled with bad gasoline.	Drain the fuel tank. Refuel with fresh gasoline.
	Dirty air filter.	Clean the air filter.
	Low engine oil level stopped generator.	If low oil LED illuminated, turn battery switch to the OFF position. Add engine oil.
	Spark plug wet with fuel (flooded engine).	Wait five minutes. Turn battery switch to the OFF position. Pull recoil handle rapidly several times. If the generator does not start, remove spark plug and dry.
	Spark plug faulty, fouled, or improperly gapped.	Gap or replace the spark plug. Reinstall.
	Fuel filter restricted, fuel system malfunction, fuel pump failure, ignition malfunction, valves stuck, etc.	Contact Westinghouse customer service toll-free at 1 (855) 944-3571.
	Battery drained.	Use the recoil handle to start the generator. Charge the battery.
	Choke partially open or closed due to weak or disconnected battery.	Manually set the choke. See Maintenance section.
	CO sensor removed or modified.	Return to original configuration
	CO sensor activated or system fault occurred.	Relocate generator / Contact Westinghouse customer service toll-free at 1 (855) 944-3571.
Engine starts, then shuts down	Out of fuel.	Refuel.
	Incorrect engine oil level.	Check engine oil level.
	Dirty air filter.	Clean the air filter.
	Contaminated fuel.	Drain the fuel tank. Refuel with fresh gasoline.
	Defective low oil level switch.	Contact Westinghouse customer service toll-free at 1 (855) 944-3571.
Engine lacks power	Air filter restricted.	Clean or replace air filter.
	Bad fuel, generator stored without treating or draining gasoline, or refueled with bad gasoline.	Drain the fuel tank. Refuel with fresh gasoline.
	Fuel filter restricted, fuel system malfunction, fuel pump failure, ignition malfunction, valves stuck, etc.	Contact Westinghouse customer service toll-free at 1 (855) 944-3571.
Engine runs rough or bogs when load applied	Dirty air filter.	Clean the air filter.
	Generator overloaded.	Unplug some devices.
	Faulty power tool or appliance.	Replace or repair tool or appliance. Stop and restart the engine.
	Fuel filter restricted, fuel system malfunction, fuel pump failure, ignition malfunction, valves stuck, etc.	Contact Westinghouse customer service toll-free at 1 (855) 944-3571.
No power at AC receptacles	OUTPUT READY LED is OFF and OVERLOAD LED is ON.	Check AC load. Stop and restart engine. Check the air inlet. Stop and restart the engine.
	AC circuit breaker/s tripped.	Check AC loads and reset circuit breaker/s.
	Faulty power tool or appliance.	Replace or repair tool or appliance. Stop and restart the engine.
	Faulty generator.	Contact Westinghouse customer service toll-free at 1 (855) 944-3571.

# EXPLODED VIEWS

## EXPLODED VIEWS AND PARTS LISTS

### EXPLODED VIEW A



# EXPLODED VIEWS

## EXPLODED VIEW A

NO.	PART#	DESCRIPTION
1		CRANKCASE ASSEMBLY
1.1	260218	CRANKCASE
1.2	93002	BEARING
1.3	93512	CRANKCASE OIL SEAL
1.4	93516	SWING ROD OIL SEAL
1.5	263901	RACKING BAR
1.6	96806	SWINGING ROD GASKET
1.7	263902	RETAINING CLIP
1.8	265102	OIL SENSOR ASSEMBLY
1.9	91329	BOLT M6X16
1.10	269901	RUBBER CABLE BLOCK
1.11	245104	OIL PROTECTOR
2	260319	CRANKSHAFT
3	260301	BALANCE SHAFT
4		CRANKCASE COVER ASSEMBLY
4.1	93002	BEARING
4.2	93512	CRANKCASE OIL SEAL
4.3	240904	CRANKCASE LOCATING PIN
4.4	260111	CRANKCASE COVER
4.5	93015	BEARING
4.6	264301	CENTRIFUGAL GOVERNOR GEAR ASSEMBLY
4.7	96072	CRANKCASE SEAL WASHER
4.8	91349	BOLT M8X40
4.9	265604-295	DIPSTICK ASSEMBLY
5		CAMSHAFT ASSEMBLY
5.1	266101	VALVE LIFTER
5.2	272003	CAMSHAFT ASSEMBLY
5.3	261901	PUSH ROD
6		SPEED GOVERNOR ASSEMBLY
6.1	264001	SPEED REGULATING ARM
6.2	91325	BOLT M6X12
6.3	264404	SPEED CONTROLLER
6.4	262701	THROTTLE LEVER
6.5	264201	SPRING C
6.6	264101	SPRING B
7		PISTON & PISTON RING ASSEMBLY
7.1	261205	PISTON
7.2	261604	PISTON RING ASSEMBLY
7.3	261503	CONNECTING ROD ASSEMBLY
7.4	265501	PISTON PIN
7.5	261301	PISTON PIN RING
8	97108	SPARK PLUG
9		CYLINDER HEAD ASSEMBLY
9.1	271005	CYLINDER HEAD
9.2	271702	INTAKE VALVE
9.3	275902	EXHAUST VALVE

NO.	PART#	DESCRIPTION
9.4	261807	INTAKE VALVE SPRING LOWER SEAT
9.5	93513	VALVE SEAL
9.6	266002	VALVE SPRING
9.7	260802	VALVE LOCK CLAMP
9.8	261805	EXHAUST VALVE SPRING SEAT
9.9	262201	VALVE RETAINER ASSEMBLY
9.10	262101	ROCKING ARM
9.11	261806	TOP CAP
9.12	91016	AIR INLET STUD BOLT
9.13	91007	AIR EXHAUST STUD BOLT
9.14	96083	EXHAUST SEAL WASHER
9.15	95207	MUFFLER CONNECTING PIPE
9.16	94206	SPRING WASHER
9.17	90011	NUT M8
9.18	91818	ROCKING ARM WITH TIGHT BOLT ASSEMBLY
9.19	260901	CYLINDER HEAD LOCATING PIN
9.20	96089	CYLINDER HEAD GASKET
9.21	91321	BOLT M10X80
9.22	270501	WIND-LEAD-COVER
9.23	91325	BOLT M6X12
9.24	96078	INTAKE GASKET
9.25	262301	CARBURETOR CONNECTION BLOCK
10		CYLINDER HEAD COVER ASSEMBLY
10.1	261104	CYLINDER HEAD COVER
10.2	91819	CYLINDER HEAD COVER FASTENING BOLT
10.3	95606	BLAST PIPE
11		CARBURETOR ASSEMBLY
11.1	262852	CARBURETOR
11.2	95713L	FUEL HOSE
11.3	94403	FUEL HOSE CLIP
11.4	94401	FUEL HOSE RUBBER SLEEVE
11.5	260801	Q-SHAPE CABLE CLIP
11.6	249904	STEPPER MOTOR
11.7	92007	CROSS SCREW STUD M4*8
11.8	249905	STEPPER MOTOR DRIVE SHAFT
11.9	244202	SPRING
11.10	269909	BRACKET
12		AIR FILTER ASSEMBLY
12.1	90016	NUT M6
12.2	262908-052	AIR FILTER HOUSING
12.2.1	5205	AIR FILTER ELEMENT
13		IGNITOR ASSEMBLY
13.1	97518	IGNITOR
13.2	91331	BOLT M6X25
14		FLYWHEEL ASSEMBLY
14.1	260407	FLYWHEEL

# EXPLODED VIEWS

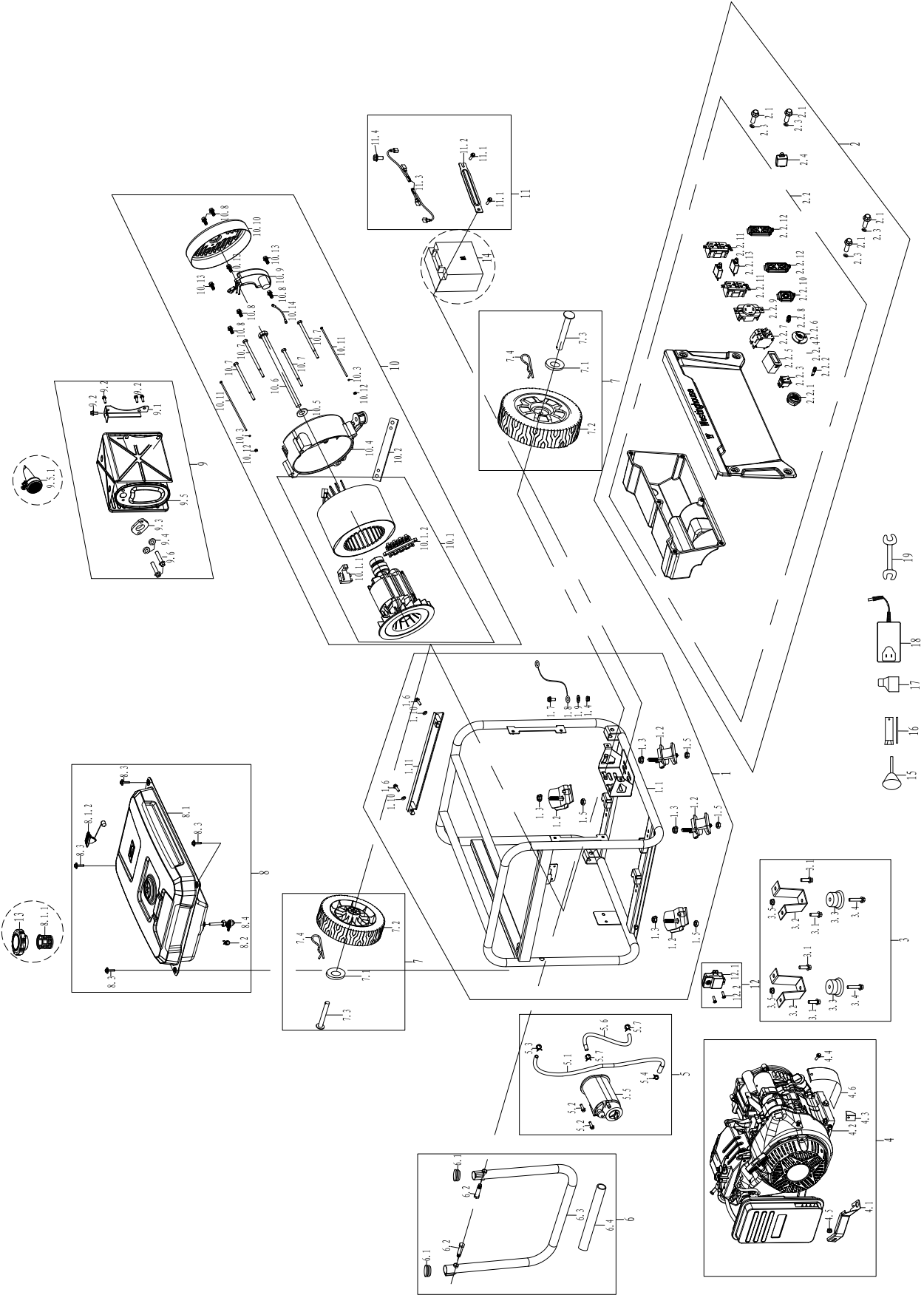
---

## EXPLODED VIEW A CONTINUED

NO.	PART#	DESCRIPTION
14.2	264601	IMPELLER
14.3	264501	STARTER PULLEY
14.4	90004	FLYWHEEL NUT
15		RECOIL STARTER ASSEMBLY
15.1	91325	BOLT M6X12
15.2	264738-221B	STARTER ASSEMBLY
15.2.1	5910-221	RECOIL STARTER
15.2.2	5943	HANDLE
16		STARTER MOTOR ASSEMBLY
16.1	97415	STARTING MOTOR
16.2	91348	BOLT M8*35
17	91817	OIL DRAIN BOLT
18	94004	OIL DRAIN BOLT WASHER
19	96075	CYLINDER HEAD COVER SEAL WASHER
20	96081	CARBURETOR GASKET
21	96086	AIR FILTER GASKET

# EXPLODED VIEWS

## EXPLODED VIEW B



# EXPLODED VIEWS

## EXPLODED VIEW B

NO.	PART#	DESCRIPTION
1	60070039	FRAME ASSEMBLY
1.1		FRAME
1.2	531314	SHOCK ABSORBER
1.3	90013	NUT M10
1.4	90018	NUT M8
1.5	90011	NUT M8
1.6	91327	BOLT M6X12
1.7	91343	BOLT M8X16
1.8	544307	FRAME WIRE
1.9	94009	TOOTH WASHER
1.10	96120	PAPER WASHER
1.11	530606-116	DISTANCE TUBE
2		CONTROL PANEL ASSEMBLY
2.1	91327	BOLT M6X12
2.2	714382	CONTROL PANEL
2.2.1	536002	ONE PUSH BUTTON SWITCH
2.2.2	6393	INDICATOR LIGHT
2.2.3	6502	ROCKER SWITCH
2.2.4	6387	2.5MM CHARGING SOCKET
2.2.5	6041	TIME ACCUMULATOR
2.2.6	6488	AVIATION SOCKET
2.2.7	6523	BREAKER 30/2P/31A/1.25/CSA
2.2.8	6386	GROUND TERMINAL ASSEMBLY
2.2.9	6385	SOCKET 30A/125V/250V L14-30R/UL
2.2.10	6848	WATERPROOF CAP
2.2.11	6275	GFCI SOCKET
2.2.12	6845	WATERPROOF CAP
2.2.13	6441-20	THERMAL PROTECTOR 20A/CSA
2.3	96120	PAPER WASHER
2.4	599065	CO SHUTDOWN ACTUATOR
3		FOOT BRACKET ASSEMBLY
3.1	91343	BOLT M8X16
3.2	525608-116	FOOT BRACKET ASSEMBLY
3.3	531115	FOOT BRACKET SHOCK ABSORBER
3.4	91333	BOLT M6X28
3.5	90023	NUT M6
4		ENGINE ASSEMBLY
4.1	540601	AIR FILTER BRACKET
4.2	1148420 120030	ENGINE ASSEMBLY
4.3	549603	DUST BOARD
4.4	91322	BOLT M5X12
4.5	90016	NUT M6
4.6	539602	CRANKCASE COVER
5		CARBON CANNISTER ASSEMBLY

NO.	PART#	DESCRIPTION
5.1	95123	CARBON CANISTER AND FUEL TANK CONNECTING PIPE
5.2	91327	BOLT M6X12
5.3	94423	FUEL LINE CLAMP
5.4	94408	FUEL LINE CLAMP
5.5	543601L	CARBON CANISTER ASSEMBLY
5.6	95124	CARBON CANISTER AND AIR FILTER CONNECTING PIPE
5.7	94402	FUEL LINE CLAMP
6		HANDLE WELDING ASSEMBLY
6.1	527603	HANDLE PLUG
6.2	527612	BOLT M10
6.3	526620-116	HANDLE
6.4	528607	HANDLE RUBBER SLEEVE
7		WHEEL ASSEMBLY
7.1	94207	FLAT WASHER
7.2	523646	WHEEL
7.3	524619	AXLE
7.4	548302	STOP REFUND
8		FUEL TANK ASSEMBLY
8.1	700375L-116	FUEL TANK
8.1.1	518801	FUEL TANK FILTER
8.1.2	6861	FUEL GAUGE
8.2	94403	FUEL LINE CLAMP
8.3	91460	BOLT M6X25
8.4	518202	FUEL SWITCH
9		EXHAUST MUFFLER ASSEMBLY
9.1	520305	MUFFLER MOUNTING BRACKET
9.2	91343	BOLT M8X16
9.3	96002	MUFFLER CONNECTING PIPE GASKET
9.4	94206	SPRING WASHER
9.5	705944	MUFFLER
9.5.1	6866	SPARK ARRESTER
9.6	91347	BOLT M8X30
10		ALTERNATOR ASSEMBLY
10.1	757551	ALTERNATOR
10.1.1	599019	CARBON BRUSH
10.1.2	6560	TERMINAL ASSEMBLY
10.2	532303-052	TAIL BRACKET FIXING PLATE
10.3	94204	SPRING WASHER
10.4	532301	ALTERNATOR TAIL BRACKET
10.5	96813	GASKET
10.6	91717	BOLT M10X1.25X275
10.7	91614	BOLT M6X190



# EXPLODED VIEWS

## EXPLODED VIEW B CONTINUED

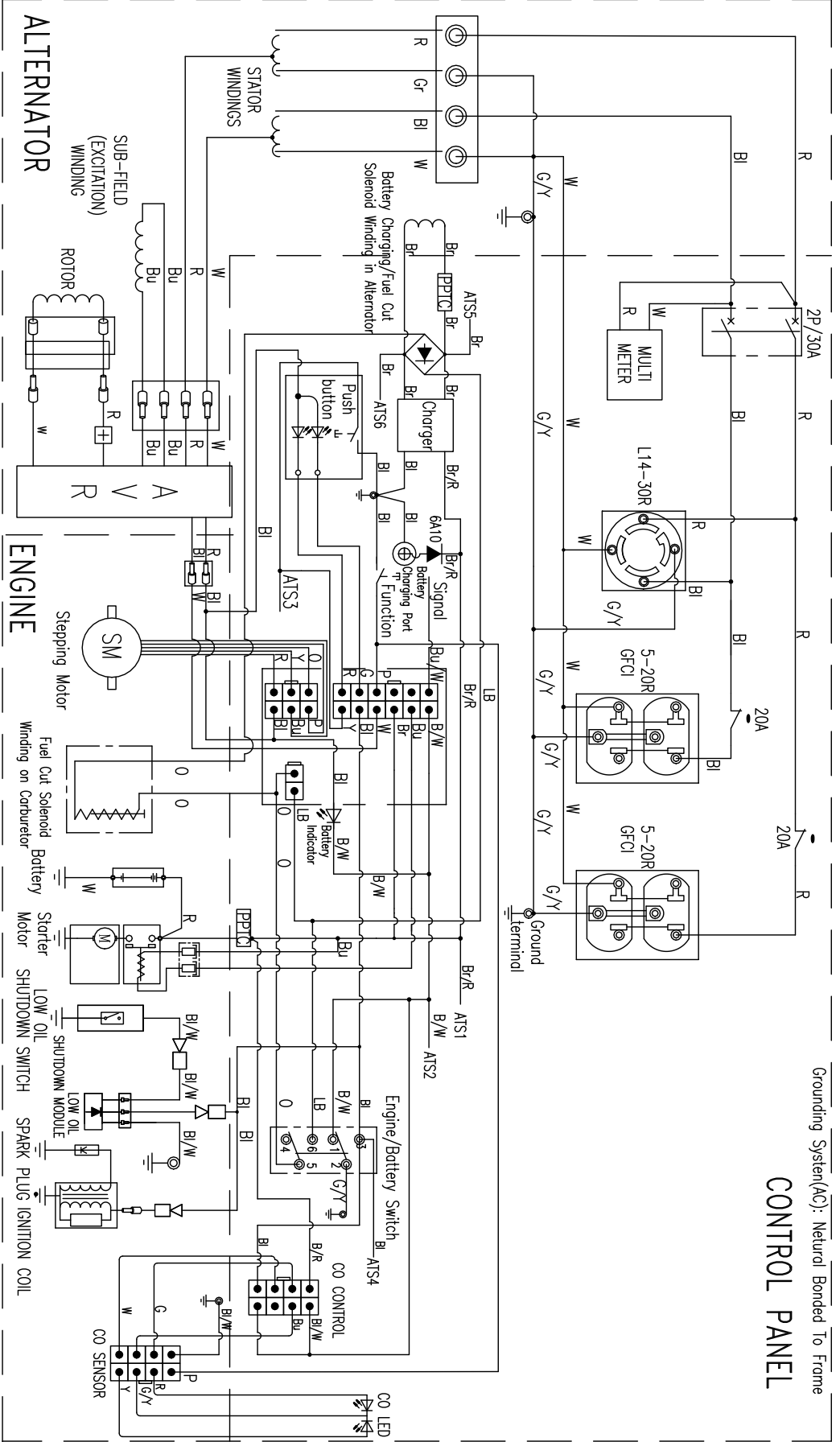
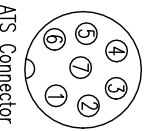
NO.	PART#	DESCRIPTION
10.8	91322	BOLT M5X12
10.9	534813	AVR
10.10	533302-221	ALTERNATOR TAIL COVER
10.11	91512	BOLT M5X230
10.12	90009	NUT M5
10.13	91323	BOLT M5X16
10.14	544610	SHORT WIRE
11		BATTERY BRACKET ASSEMBLY
11.1	91327	BOLT M6X12
11.2	542614-116	BATTERY PRESSURE PLATE
11.3	512058	BATTERY WIRING ASSEMBLY
11.4	91325	BOLT M6X12
12		CO MODULE ASSEMBLY
12.1	599064	CO MODULE
12.2	92270	CROSS SLOTTED HEAD SCREW M4*16
13	519215	FUEL CAP
14	511008	BATTERY
15	99504	FUNNEL
16	99010	SPARK PLUG WRENCH
17	99546	OIL BOTTLE
18	511076	CHARGER
19	99025	WRENCH

# SCHEMATICS

## SCHEMATICS

Bl	Black	Br	Brown	G/Y	Green/Yellow
0	Orange	Br/R	Brown/Red	Bl/W	Black/White
Bu	Blue	LB	Light Blue	P	Pink
Gr	Grey	Bl	Black	G	Green
R	Red	W	White	Y	Yellow

Engine Switch Connecting	
1	2
3	4
5	6
ON	OFF



Grounding System(AC): Neutral Bonded To Frame

### CONTROL PANEL

ESPAÑOL

# WGen7500c

## Generador Portátil

7500 Vatios en Funcionamiento | 9500 Vatios de arranque

### MANUAL DE USUARIO

#### NO DEVUELVA ESTE PRODUCTO A LA TIENDA

Si tiene preguntas o necesita ayuda, llame al servicio al cliente al 855-944-3571.

#### TABLA DE CONTENIDO

##### INTRODUCCIÓN

DESCARGOS DE RESPONSABILIDAD .....	36
TODOS LOS DERECHOS RESERVADOS .....	36
GUARDA ESTAS INSTRUCCIONES.....	36

##### ESPECIFICACIONES

##### SEGURIDAD

DEFINICIONES DE SEGURIDAD .....	38
SÍMBOLOS DE SEGURIDAD Y SIGNIFICADO .....	38
LAS INSTRUCCIONES DE SEGURIDAD .....	39
PRECAUCIONES GENERALES DE SEGURIDAD .....	39
GASOLINA Y VAPOR DE GASOLINA (GAS) .....	41
GFCI.....	41
ETIQUETAS Y CALCOMANÍAS DE SEGURIDAD .....	42
SENSOR DE CO.....	43

##### CARACTERÍSTICAS

COMPONENTES DEL GENERADOR.....	44
COMPONENTES DEL PANEL DE CONTROL .....	45

##### MONTAJE

CONTENIDO DE LA CAJA .....	46
INSTALE PIES Y RUEDAS .....	46
LLENADO DE ACEITE INICIAL .....	47
COMBUSTIBLE .....	47
CONECTAR LA BATERÍA .....	48

##### OPERACIÓN

UBICACIÓN DEL GENERADOR .....	49
TOMA DE TIERRA .....	49
OPERACIÓN A GRAN ALTITUD.....	50

INICIO REMOTO.....	50
ANTES DE ARRANCAR EL GENERADOR.....	51
ARRANCAR EL MOTOR .....	51
PARAR EL MOTOR.....	51
FRECUENCIA DE USO .....	52
DISYUNTORES DE CA.....	52
CAPACIDAD DEL GENERADOR .....	52
GESTIÓN DE ENERGÍA.....	53
CABLES DE EXTENSIÓN .....	53
TAMAÑO DEL CABLE DE EXTENSIÓN.....	54
INTERRUPTOR ST.....	54
TRANSPORTE.....	54

##### MANTENIMIENTO

PROGRAMA DE MANTENIMIENTO .....	55
RECORDATORIOS DE MANTENIMIENTO.....	55
PIEZAS DE REPUESTO PARA MANTENIMIENTO .....	55
MANTENIMIENTO DEL FILTRO DE AIRE.....	55
COMPROBACIÓN DEL NIVEL DE ACEITE DEL MOTOR ...	56
CAMBIO DE ACEITE DEL MOTOR .....	57
MANTENIMIENTO DE BUJÍAS.....	57
SERVICIO DE APAGACHISPAS.....	58
MANTENIMIENTO DE LA BATERÍA.....	58
MANTENIMIENTO DE LA VÁLVULA DE COMBUSTIBLE ...	58
CAMBIO DE BATERÍA .....	58
ALMACENAMIENTO.....	59
JUEGO DE VÁLVULAS.....	60

##### SOLUCIÓN DE PROBLEMAS

SOLUCIÓN DE PROBLEMAS .....	61
-----------------------------	----

# INTRODUCCIÓN

## INTRODUCCIÓN

**⚠ ADVERTENCIA:** La operación, el servicio y el mantenimiento de este equipo pueden exponerlo a sustancias químicas que incluyen gases de escape del motor, monóxido de carbono, ftalatos y plomo, que el estado de California reconoce como causantes de cáncer y defectos de nacimiento u otros daños reproductivos. Para minimizar la exposición, evite respirar los gases de escape y use guantes o lávese las manos con frecuencia cuando realice el mantenimiento de este equipo. Para obtener más información, visite [www.P65warnings.ca.gov](http://www.P65warnings.ca.gov).

## DESCARGOS DE RESPONSABILIDAD

Toda la información, ilustraciones y especificaciones de este manual estaban vigentes en el momento de su publicación. Las ilustraciones utilizadas en este manual están destinadas a ser vistas de referencia representativas únicamente. Nos reservamos el derecho de realizar cualquier cambio de especificación o diseño sin previo aviso.

## TODOS LOS DERECHOS RESERVADOS

Todos los derechos reservados. No se permite la reproducción de ninguna forma sin el permiso por escrito de Westinghouse Outdoor Power Equipment, LLC.

<b>⚠ ADVERTENCIA</b>	
	Lea este manual antes de usar o realizar el mantenimiento de este producto. El incumplimiento de las instrucciones y precauciones de seguridad de este manual puede provocar lesiones graves o la muerte.

## GUARDA ESTAS INSTRUCCIONES

### REGISTRACIÓN DEL PRODUCTO

Para una cobertura de garantía sin problemas, es importante registrar su generador Westinghouse.

Puede registrarse por:

- Completar y enviar por correo la tarjeta de registro del producto incluida en la caja.
- Registrando su producto en línea en: <https://westinghouseoutdoorpower.com/pages/warranty-registration>
- Escaneando el siguiente código QR con la cámara de su teléfono inteligente. Se le dirigirá al enlace de registro móvil.



- Envío de la siguiente información del producto a:

Westinghouse Outdoor Power  
Warranty registration  
777 Manor Park Drive  
Columbus, OH 43228

#### Para su archivo

Fecha de compra: \_\_\_\_\_

Número de modelo: \_\_\_\_\_

Número de serie: \_\_\_\_\_

Lugar de compra: \_\_\_\_\_

**IMPORTANTE:** Conserve su recibo de compra para una cobertura de garantía sin problemas.

# ESPECIFICACIONES

## ESPECIFICACIONES

Especificaciones	
Watts en funcionamiento:	7500
Vatios pico:	9500
Potencia nominal a 1,0 factor de potencia:	7.5 kW Gasolina
La punta del Poder:	9.5 kVA Gasolina
Voltaje nominal:	120/240V
Frecuencia nominal:	60 Hz @ 3600 RPM
Fase:	Fase única
Distorsión armónica total:	≤ 23%
Desplazamiento del motor:	420 cc
Tipo de inicio:	Retroceso, arranque eléctrico, control remoto
Capacidad de combustible:	6.6 galones (25 litros)
Tipo de combustible:	Gasolina sin plomo 87-93 octano*
Capacidad de aceite:	1,16 cuartos (1,1 litros)
Tipo de aceite:	SAE 10W-30
Bujía:	91708 (F7TC)
Espacio de la bujía:	0.024 – 0.032 in. (0.60 – 0.80 mm)
Válvula de admisión Despeje:	0.0031 – 0.0047 in. (0.08 – 0.12 mm)
Válvula de escape Despeje:	0.0051 – 0.0067 in. (0.13 – 0.17 mm)
Sistema de puesta a tierra de CA:	Neutral unido al marco
Regulador de voltaje:	AVR
Tipo de alternador:	Cepillado
Temperatura ambiente máxima:	104°F (40°C)
Certificaciones:	<ul style="list-style-type: none"><li>• EPA</li><li>• CARB</li></ul>

\* Contenido de etanol del 10% o menos. NO use E15 o E85.

## AVISO

Este producto está diseñado y clasificado para un funcionamiento continuo a temperaturas ambiente de hasta 104 ° F (40 ° C). Si es necesario, este producto se puede utilizar a temperaturas que oscilan entre 5 ° F (15 ° C) y 122 ° F (50 ° C) durante períodos cortos. Si el producto se expone a temperaturas fuera de este rango durante el almacenamiento, debe volver a colocarse dentro de este rango antes de su funcionamiento. Este producto siempre debe utilizarse al aire libre en un área bien ventilada y lejos de puertas, ventanas y otros conductos de ventilación.

El vataje y la corriente máximos están sujetos y limitados por factores como el contenido de BTU de combustible, la temperatura ambiente, la altitud, las condiciones del motor, etc. La potencia máxima disminuye aproximadamente un 3.5% por cada 1,000 pies sobre el nivel del mar, y también disminuirá aproximadamente un 1% por cada 10 ° F (6 ° C) por encima de 60 ° F (16 ° C) de temperatura ambiente.

## ACTUALIZACIONES

El último manual de usuario para su generador Westinghouse se puede encontrar en nuestra pestaña de soporte. <https://westinghouseoutdoorpower.com/pages/manuals>

O escanee el siguiente código QR con la cámara de su teléfono inteligente para dirigirse al enlace.



# LA SEGURIDAD

## SEGURIDAD

### DEFINICIONES DE SEGURIDAD

Las palabras PELIGRO, ADVERTENCIA, PRECAUCIÓN y AVISO se utilizan en este manual para resaltar información importante. Asegúrese de que todos los que operan, realizan mantenimiento o se encuentran cerca del generador conozcan el significado de esta información de seguridad.



Aparece este símbolo de alerta de seguridad con la mayoría de las declaraciones de seguridad. Eso significa atención, mantente alerta, tu la seguridad está involucrada! Por favor lea y Cumplir con el mensaje que sigue el símbolo de alertas de seguridad.

#### PELIGRO

Indica una situación peligrosa que, si no se evita, provocará la muerte o lesiones graves.

#### ADVERTENCIA

Indica una situación peligrosa que, si no se evita, podría provocar la muerte o lesiones graves.

#### PRECAUCIÓN

Indica una situación peligrosa que, si no se evita, podría provocar lesiones leves o moderadas.

#### AVISO

Indica una situación que puede causar daños al generador, propiedad personal y / o el medio ambiente, o hacer que el equipo funcione incorrectamente.

**Note:** Indica un procedimiento, práctica o condición que se debe seguir para que el generador funcione de la manera prevista.

#### PELIGRO

Riesgo de electrocución. Nunca use el generador en un lugar mojado o húmedo. Nunca esponga el generador a la lluvia, nieve, rocío de agua o agua estancada mientras esté en uso. Proteja el generador de todas las condiciones climáticas peligrosas. La humedad o el hielo pueden provocar un cortocircuito u otro mal funcionamiento en el circuito eléctrico.

### SÍMBOLOS DE SEGURIDAD Y SIGNIFICADO

Siga toda la información de seguridad contenida en este manual y en el generador.

Símbolo	Descripción
	Símbolo de alerta de seguridad
	Riesgo de electrocución
	Peligro de asfixia
	Peligro de quemaduras. No toque superficies calientes.
	Peligro de descarga eléctrica
	Peligro de incendio
	Mantenga una distancia segura
	Peligro de levantamiento
	Leer las instrucciones del fabricante
	No operar en condiciones de humedad
	Suelo. Consulte con un electricista para determinar los requisitos de conexión a tierra antes de la operación.

#### PELIGRO

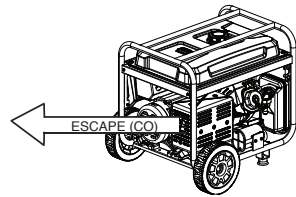
Riesgo de incendio y electrocución. No lo conecte al sistema eléctrico de un edificio a menos que el generador y el interruptor de transferencia se hayan instalado correctamente y la salida eléctrica haya sido verificada por un electricista calificado. La conexión debe aislar la energía del generador de la energía de la red pública y debe cumplir con todas las leyes y códigos eléctricos aplicables.

# LA SEGURIDAD

## LAS INSTRUCCIONES DE SEGURIDAD

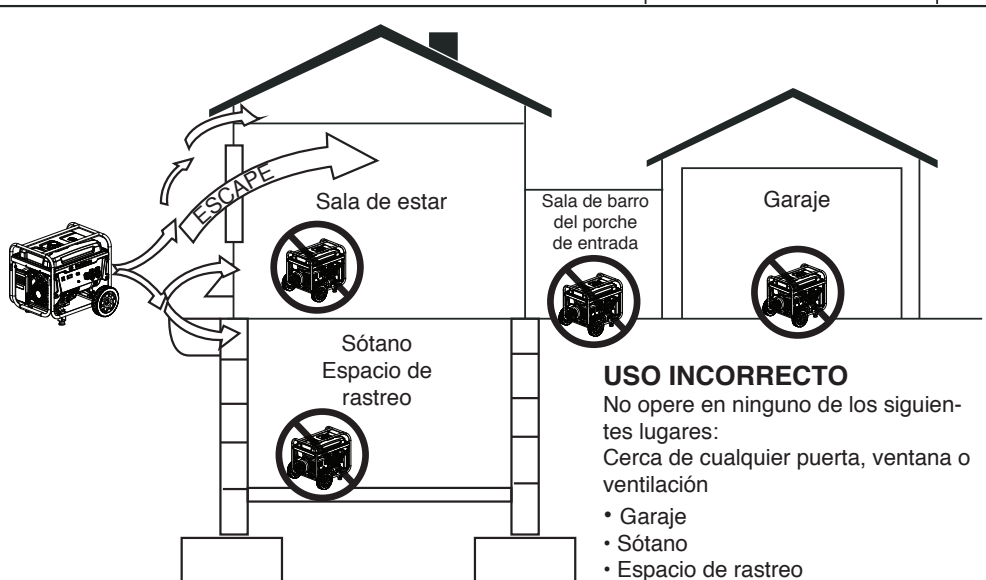
### USO CORRECTO

Ejemplo de ubicación para reducir el riesgo de intoxicación por monóxido de carbono. Úselo ÚNICAMENTE en exteriores y en dirección del viento, lejos de ventanas, puertas y conductos de ventilación. Dirija el escape lejos de los espacios ocupados.



Úselo solo EN EXTERIORES y LEJOS de ventanas, puertas y conductos de ventilación.

Detectores de CO en áreas habitables



### USO INCORRECTO

No opere en ninguno de los siguientes lugares:  
Cerca de cualquier puerta, ventana o ventilación

- Garaje
- Sótano
- Espacio de rastreo
- Sala de estar
- Ático
- Camino de entrada
- Porche
- Mudroom

## AVISO

Instale detectores de monóxido de carbono a batería o detectores de monóxido de carbono enchufables con respaldo de batería en las áreas habitables.

## ⚠ PELIGRO

Usar un generador en interiores PUEDE MATARLO EN MINUTOS. El escape del generador contiene monóxido de carbono. Este es un veneno que no se puede ver ni oler.



NUNCA lo use dentro de una casa o garaje, AUNQUE las puertas y ventanas estén abiertas.



Úselo solo EN EXTERIORES y lejos de ventanas, puertas y conductos de ventilación.

## PRECAUCIONES GENERALES DE SEGURIDAD

- Nunca use el generador para alimentar equipos de apoyo médico.
- No opere el generador cuando esté cansado o bajo la influencia de drogas, alcohol o medicamentos.
- No use el generador con cables eléctricos gastados, deshilachados, desnudos o dañados.
- Todas las herramientas y artefactos eléctricos operados con este generador deben estar debidamente conectados a tierra mediante el uso de un tercer cable o tener doble aislamiento.
- Cuando este generador se utiliza para suministrar un sistema de cableado de un edificio, un electricista calificado debe instalar el generador y conectarlo a un interruptor de transferencia como un sistema derivado por separado de acuerdo con NFPA 70, Código Eléctrico Nacional.
- Si comienza a sentirse enfermo, mareado o débil mientras usa el generador, muévase al aire fresco INMEDIATAMENTE. Consulte a un médico, ya que puede sufrir una intoxicación por monóxido de carbono.

# LA SEGURIDAD

---

- Úselo solo EN EXTERIORES y lejos de ventanas, puertas y conductos de ventilación según lo recomendado por los Centros para el Control y la Prevención de Enfermedades del Departamento de Salud y Servicios Humanos de EE. UU. Su casa específica y / o las condiciones del viento pueden requerir una distancia adicional.
- Durante la operación y almacenamiento, mantenga al menos 5 pies de espacio libre en todos los lados del generador, incluido el techo. Deje que el generador se enfríe un mínimo de 30 minutos antes de almacenarlo. El calor creado por el silenciador y los gases de escape puede ser lo suficientemente caliente como para causar quemaduras graves y / o encender objetos combustibles.
- No toque el silenciador ni el motor. Están muy CALIENTES y causarán quemaduras graves. No coloque partes del cuerpo ni ningún material inflamable o combustible en el camino directo del escape.
- Siempre retire cualquier herramienta u otro equipo de servicio utilizado durante el mantenimiento lejos del generador antes de operar.
- Evite el contacto de la piel con aceite de motor o gasolina. Use ropa y equipo de protección. Lave toda la piel expuesta con agua y jabón.
- Un interruptor de transferencia debe ser instalado por un electricista autorizado y aprobado por la autoridad competente. La instalación debe cumplir con todas las leyes y códigos eléctricos aplicables.
- Un interruptor de transferencia debe ser instalado por un electricista autorizado y aprobado por la autoridad competente. La instalación debe cumplir con todas las leyes y códigos eléctricos aplicables.
- Nunca llene demasiado el tanque de combustible. Deje espacio para que el combustible se expanda. El llenado excesivo del tanque de combustible puede provocar un desbordamiento repentino de gasolina y provocar que la gasolina derramada entre en contacto con superficies CALIENTES.
- El combustible derramado puede arder. Si se derrama combustible sobre el generador, limpie cualquier derrame inmediatamente. Deseche el trapo correctamente. Deje que el área de combustible derramado se seque antes de operar el generador.
- Use protección para los ojos mientras reposta.
- Nunca use gasolina como agente de limpieza.
- Almacene cualquier recipiente que contenga gasolina en un área bien ventilada, lejos de cualquier combustible o fuente de ignición.

## SEGURIDAD DEL COMBUSTIBLE

- Almacene el combustible en un recipiente aprobado para gasolina.
- No fume al llenar el generador con gasolina.
- No permita que el tanque de gasolina del generador se desborde al llenarlo.
- Apague el motor y déjelo enfriar durante cinco minutos antes de agregar gasolina o aceite al generador.
- Nunca quite la tapa de combustible cuando el generador esté funcionando. Apague el motor y deje que la unidad se enfríe por lo menos cinco minutos. Retire la tapa de combustible lentamente para liberar la presión, evitar que el combustible se escape por la tapa y evitar que el calor del silenciador encienda los vapores de combustible. Apriete bien la tapa de combustible después de repostar.
- Limpie el combustible derramado de la unidad.
- Nunca intente quemar el combustible derramado.



## GASOLINA Y VAPOR DE GASOLINA (GAS)

### PELIGRO

Riesgo de incendio y explosión. La gasolina es altamente explosiva e inflamable y puede causar quemaduras graves o la muerte.

- En caso de un incendio de gas, no intente apagar la llama si la válvula de combustible está en la posición de gas. La introducción de un extintor en un generador con una válvula de combustible abierta podría crear un peligro de explosión. El gas tiene un olor distintivo, esto ayudará a detectar posibles fugas rápidamente.
- Los vapores de gas pueden provocar un incendio si se encienden.
- La gasolina irrita la piel y debe limpiarse inmediatamente si entra en contacto con la piel.

#### Al arrancar el generador:

- Asegúrese de que la tapa de combustible, el filtro de aire, la bujía, las líneas de combustible y el sistema de escape estén colocados correctamente.
- Si derrama gasolina en el tanque, deje que se evapore completamente antes de operar.
- Asegúrese de que el generador y el tanque de GLP / propano estén sobre una superficie plana antes de operar.
- Si hay olor a propano, no encienda la unidad porque puede haber una fuga potencial. Nunca coloque un tanque de GLP / propano cerca del escape del motor.

#### Al transportar o reparar el generador:

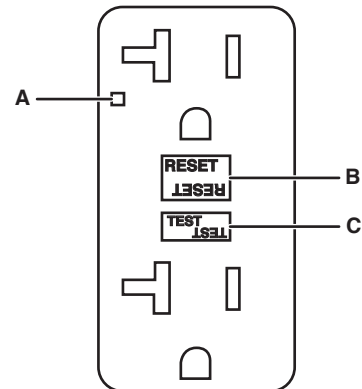
- Asegúrese de que el tanque de GLP / propano y la manguera de GLP / propano no estén conectados al generador.
- Desconecte el cable de la bujía para evitar un arranque accidental.

#### Al almacenar el generador:

- Almacene lejos de chispas, llamas abiertas, luces piloto, calor y otras fuentes de ignición.
- No almacene gas o un tanque de GLP / propano cerca de hornos, calentadores de agua o cualquier otro aparato que produzca calor o tenga encendido automático.

## GFCI

El generador está equipado con receptáculos de interruptor de circuito de falla a tierra (GFCI). En el caso de una falla a tierra, un GFCI se dispara automáticamente para detener el flujo de electricidad y evitar lesiones graves. La luz indicadora verde (A) en el receptáculo también se apagará. Presione el botón "RESET" (B) ubicado en la parte frontal del receptáculo para restaurar el flujo de electricidad. La luz indicadora se volverá a encender. GFCI no protege contra sobrecargas de circuitos.



Para verificar el funcionamiento correcto de un receptáculo GFCI:

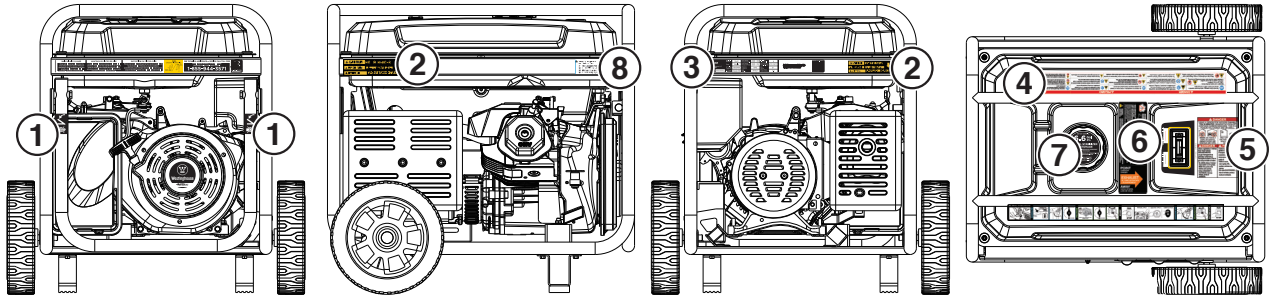
1. Con el generador en funcionamiento, enchufe una lámpara en el receptáculo GFCI.
2. Enciende la lámpara. Presione el botón "TEST" (C) ubicado en la parte frontal del receptáculo para disparar el dispositivo. Esto debería detener inmediatamente el flujo de electricidad y apagar la lámpara. Si la electricidad no se detiene, no use este receptáculo hasta que haya sido reparado o reemplazado.
3. Presione el botón "RESET" ubicado en la parte delantera del receptáculo para restaurar el flujo de electricidad. Si la luz indicadora no se vuelve a encender o si el GFCI no se puede restablecer, debe reemplazarse.

### AVISO

Algunos motores estacionarios, como el ventilador de ventilación del baño, los accesorios de iluminación fluorescente o algunos refrigeradores, pueden producir una fuga de corriente suficiente como para provocar un disparo molesto. Para evitar disparos molestos, un GFCI no debe suministrar: fluorescentes u otros tipos de artefactos de iluminación de descarga eléctrica o motores eléctricos instalados permanentemente, como acondicionadores de aire, hornos o refrigeradores.

# LA SEGURIDAD

## ETIQUETAS Y CALCOMANÍAS DE SEGURIDAD



<p><b>4</b></p> <p><b>⚠ DANGER</b></p> <p>Failure to follow warnings, instructions and operator's manual will result in death or serious injury.</p> <p>Generator could cause electrical shock.</p> <p>ONLY use in dry conditions.</p> <p>DO NOT operate in rain or wet weather.</p> <p>A transfer switch must be used when connecting to a building.</p> <p>Never fuel unit with engine running. Always fuel in well ventilated area. Always allow unit to cool before fueling.</p>	<p><b>⚠ PELIGRO</b></p> <p>Hot muffler and exhaust gases can cause fires. Keep at least 5K (1.5 m) distance from any combustible or structure, including overhead.</p> <p>El generador podría causar una descarga eléctrica.</p> <p>No opere en lluvia ni en un área húmeda.</p> <p>No conecte directamente de una casa.</p> <p>Nunca cargue el unidad con el motor en marcha. Cargue siempre en un área bien ventilada. Siempre deje que la unidad se enfríe antes de cargar combustible.</p>	<p><b>⚠ DANGER</b></p> <p>Los gases calientes del escape podrían causar un incendio. Deje un espacio libre de al menos 1.5 m de cualquier combustible o estructura, incluyendo por encima.</p> <p>Los gases de escape contienen monóxido de carbono venenoso que puede causar pérdida del conocimiento o la MUERTE. Evite áreas de monóxido de carbono dentro de la casa.</p> <p>Si la unidad genera electricidad, no conecte a tierra directamente el generador puede provocar una electrocución.</p>	<p><b>⚠ DANGER</b></p> <p>Les gaz d'échappement chauds peuvent provoquer des incendies. Gardez un écartement de au moins 1.5 m de tout combustible ou structure, y compris les toits intérieurs.</p> <p>Les gaz d'échappement contiennent du monoxyde de carbone gazeux toxique qui peut provoquer une perte de conscience ou la MORT. Évitez des espaces de monoxyde de carbone à l'intérieur de la maison.</p> <p>Né jamais penser de carburant avec le moteur en marche. Faites toujours le plein dans un endroit bien ventilé. Laissez toujours l'appareil refroidir avant de faire le plein.</p> <p>Pour les équipements électriques uniquement, Une réaction mise à la terre au générateur peut entraîner une électrocution.</p>
--	--	--	--

<p><b>3</b></p> <p><b>Westinghouse</b></p> <p>Westinghouse Outdoor Power Equipment, LLC Columbus Ohio 43228 USA</p> <p>Made in: <input type="text"/> Model: <input type="text"/></p> <p>Facteur de: <input type="text"/> Modèle: <input type="text"/></p>	<p>Rev. Level / Révision: <input type="text"/></p> <p>Phase: <input type="text"/></p> <p>AC Voltage / Tension: <input type="text"/> CA</p> <p>AC Current / Intensité: <input type="text"/> CA</p>	<p>Power (Rated) / Puissance (Nom): <input type="text"/></p> <p>Power (Peak) / Puissance (Pointe): <input type="text"/></p> <p>Frequency / Fréquence: <input type="text"/></p> <p>RPM / TR/MIN: <input type="text"/></p>	<p>Insul Class / Classe D'isol: <input type="text"/></p> <p>Max. Amb Temp / Temp. Amb. Max: <input type="text"/></p> <p>Duty Service: <input type="text"/></p> <p>Power Factor / Facteur de puissance: <input type="text"/></p>	<p>Serial No./No. De Série: <input type="text"/></p> <p><b>Serial Number</b> <b>Número de serie</b> <b>Numéro de série</b></p> <p>Register your product. </p>
---	---	--	---	---

**5**

**⚠ DANGER**

USING A GENERATOR INDOORS CAN KILL YOU IN MINUTES. GENERATOR EXHAUST CONTAINS CARBON MONOXIDE. THIS IS A POISON YOU CANNOT SEE OR SMELL.

NEVER USE INSIDE A HOME OR GARAGE, EVEN IF DOORS AND WINDOWS ARE OPEN.

ONLY USE OUTSIDE AND FAR AWAY FROM WINDOWS, DOORS, AND VENTS.

**⚠ DANGER** **⚠ PELIGRO**

Utiliser un générateur à l'intérieur PEUT VOUS TUER EN QUELQUES MINUTES. Les gaz d'échappement du générateur contiennent du monoxyde de carbone. C'est un gaz toxique invisible et inodore.

NE JAMAIS utiliser à l'intérieur d'une maison ou d'un garage, MÊME SI les portes et les fenêtres sont ouvertes.

Utiliser UNIQUEMENT à l'EXTÉRIEUR et loin des fenêtres, portes et ventilations.

Si vous utilisez un générateur en intérieur MORRÁ EN POCOS MINUTOS. El escape del generador contiene monóxido de carbono. Es un veneno que no tiene olor ni se puede ver.

NUNCA lo use dentro de una casa o garage, AUN si las puertas y ventanas están abiertas.

Solo úsalo EN EXTERIORES y lejos de ventanas, puertas y ductos de ventilación.

**6**

**ACTION LABEL**

**ETIQUETA DE FUNCIONAMIENTO**

**ÉTIQUETTE D'ACTION**

**AUTOMATIC SHUTOFF - YOU MUST:**

**ETIQUETA DE FUNCIONAMIENTO:**

**ÉTIQUETTE D'ACTION:**

- MOVE GENERATOR TO AN OPEN, OUTDOOR AREA.
- POINT EXHAUST AWAY.
- DON'T RUN GENERATOR IN ENCLOSED AREAS (E.G. NOT IN HOUSE OR GARAGE).
- MOVER EL GENERADOR A UN ÁREA ABIERTA, EN EXTERIORES
- ORIENTAR EL TUBO DE ESCAPE HACIA AFUERA
- NO ACTIVAR EL GENERADOR EN ÁREAS CERRADAS (P. EJ. EN UNA CASA O GARAJE)
- DÉPLACER LA GÉNÉRATRICE DANS UN ESPACE EXTÉRIEUR OUVERT
- DIRIGER L'ÉCHAPPEMENT LOIN DE VOUS
- NE PAS FAIRE FONCTIONNER LA GÉNÉRATRICE DANS DES ENDRITS FERMÉS (COMME DANS LA MAISON OU LE GARAGE)

**WARNING** **ADVERTENCIA** **AVERTISSEMENT**

**TAMPERING WITH CARBON MONOXIDE SENSOR COULD RESULT IN HAZARDOUS CONDITION**

**HACER ALTERACIONES CON SENSOR DE MONÓXIDO DE CARBONO PODRÍA OCASIONAR CONDICIONES PELIGROSAS**

**L'ALTÉRATION DE CAPTEUR DE MONOXYDE DE CARBONE PEUT ENTRAÎNER DES CONDITIONS DANGEREUSES**

**MOVE TO FRESH AIR.**

**GET MEDICAL HELP IF SICK, DIZZY OR WEAK.**

**MOVER AL AIRE LIBRE**

**OSTENER ATENCIÓN MÉDICA SI SE SIENTE ENFERMO, MAREADO O DÉBIL**

**VOUS RETIENIR À L'AIR FRAIS**

**CONSULTER UN MÉDECIN SI VOUS ÊTES MALADE, ÉTOURDI OU FAIBLE**

**POINT** **ORIENTAR** **DIRIGIR**

**EXHAUST** **EL TUBO DE ESCAPE** **L'ÉCHAPPEMENT**

**AWAY** **HACIA AFUERA** **LOIN DE VOUS**

**8**

**⚠ WARNING: Cancer and reproductive harm -**

[www.P65Warnings.ca.gov/product](http://www.P65Warnings.ca.gov/product)

**⚠ AVERTISSEMENT: Cancer et problèmes de reproduction -**

[www.P65Warnings.ca.gov/product](http://www.P65Warnings.ca.gov/product)

**⚠ ADVERTENCIA: Cáncer y daños al sistema reproductor -**

[www.P65Warnings.ca.gov/product](http://www.P65Warnings.ca.gov/product)

**2**

**⚠ CAUTION HOT SURFACES**

**⚠ PRECAUCIÓN SUPERFICIES CALIENTES**

**⚠ ATTENTION AUX SURFACES CHAUDES**

**1**

**DO NOT OVERFILL**

**6.6 Gal**

**25L**

**USE FUEL STABILIZER FOR STORAGE**

**UTILISEZ UN STABILISATEUR DE CARBURANT POUR LE STOCKAGE**

**EL USO DEL ESTABILIZADOR DE COMBUSTIBLE PARA EL ALMACENAMIENTO**

**87 MINIMUM OCTANE**

**87 OCTANO MÍNIMO**

**87 OCTANO MÍNIMO**

## SENSOR DE CO

El sensor de CO monitorea la acumulación de monóxido de carbono venenoso alrededor del generador cuando el motor está en funcionamiento. Si se detectan niveles crecientes de gas CO, el sensor de CO apaga automáticamente el motor.

El sensor de CO también detectará la acumulación de monóxido de carbono de otras fuentes de combustión utilizadas en el área de operación. Por ejemplo, si el escape de las herramientas de combustión apunta a un generador equipado con sensor de CO, se puede iniciar un corte debido al aumento de los niveles de CO. Esto no es un error. Se ha detectado monóxido de carbono peligroso. Mueva y redirija cualquier fuente adicional de combustión para disipar el monóxido de carbono lejos del personal y los edificios ocupados.

**Nota:** Los generadores equipados con arranque remoto deben reiniciarse con el botón START / STOP en el panel de control después de que ocurra un apagado automático.

Los generadores están diseñados para usarse al aire libre, lejos de edificios ocupados y el escape apuntando lejos del personal y los edificios. Si se usa incorrectamente y se opera en una ubicación que resulta en la acumulación de CO, como en un área parcialmente cerrada, el sensor de CO apaga el motor, notifica al usuario con una luz indicadora ROJA y le indica que lea la Etiqueta de acción para conocer los pasos a tomar. El sensor de CO NO reemplaza las alarmas de monóxido de carbono. Instale alarmas de monóxido de carbono que funcionen con baterías en su hogar.

### ⚠ ADVERTENCIA

El apagado automático acompañado de una luz ROJA parpadeante en la parte del sensor de CO del panel de control es una indicación de que el generador no se ubicó correctamente. Si comienza a sentirse enfermo, mareado, débil o los detectores de monóxido de carbono en su hogar indican una alarma, salga al aire libre de inmediato. Llame a los servicios de emergencia. Puede tener intoxicación por monóxido de carbono.

## APAGADO AUTOMÁTICO DE CO DEL PANEL DE CONTROL

### CARBON MONOXIDE AUTO-SHUTOFF



SERVICE GENERATOR  
REALICE UN SERVICIO  
DEL GENERADOR

AUTOMATIC SHUTOFF  
SEE MANUAL  
CORTE AUTOMÁTICO  
LEER EL MANUAL

## LUCES INDICADORAS DEL SENSOR DE CO

Color	Descripción
<b>ROJO</b>	El monóxido de carbono se acumuló alrededor del generador. Después del apagado, la luz indicadora ROJA en el área del sensor de CO del panel de control destellará para proporcionar una notificación de que el generador se apagó debido a un riesgo de acumulación de CO. La luz ROJA parpadeará durante al menos cinco minutos después de un corte de CO.  Mueva el generador a un área abierta al aire libre lejos de los espacios ocupados con el escape apuntando hacia afuera. Una vez reubicado en un área segura, el generador se puede reiniciar. Introduzca aire fresco y ventile el área donde se había apagado el generador.
<b>AMARILLO</b>	Ocurrió una falla en el sistema del sensor de CO. Cuando ocurre una falla del sistema, el generador se apaga automáticamente y la luz indicadora AMARILLA en el área de apagado automático de CO del panel de control parpadeará para proporcionar una notificación de que se ha producido una falla. La luz AMARILLA parpadeará durante al menos cinco minutos después de una falla. El generador se puede reiniciar, pero es posible que continúe apagándose. Una falla en el sensor de CO solo puede ser diagnosticada y reparada por un centro de servicio autorizado Westinghouse.

## ETIQUETA DE ACCIÓN

**ACTION LABEL**  
ETIQUETA DE FUNCIONAMIENTO  
ÉTIQUETTE D'ACTION

**AUTOMATIC SHUTOFF - YOU MUST:**  
ETIQUETA DE FUNCIONAMIENTO:  
ÉTIQUETTE D'ACTION:

- MOVE GENERATOR TO AN OPEN, OUTDOOR AREA.
- POINT EXHAUST AWAY.
- DON'T RUN GENERATOR IN ENCLOSED AREAS (E.G. NOT IN HOUSE OR GARAGE).
- MOVER EL GENERADOR A UN ÁREA ABIERTA, EN EXTERIORES
- ORIENTAR EL TUBO DE ESCAPE HACIA AFUERA
- NO ACTIVAR EL GENERADOR EN ÁREAS CERRADAS (P. EJ.: EN UNA CASA O GARAJE)
- DÉPLACER LA GÉNÉRATRICE DANS UN ESPACE EXTÉRIEUR OUVERT
- DIRIGER L'ÉCHAPPEMENT LOIN DE VOUS
- NE PAS FAIRE FONCTIONNER LA GÉNÉRATRICE DANS DES ENDROITS FERMÉS (COMME DANS LA MAISON OU LE GARAGE)

**WARNING**  
ADVERTENCIA  
AVERTISSEMENT

**TAMPERING WITH CARBON MONOXIDE SENSOR COULD RESULT IN HAZARDOUS CONDITION**  
HACER ALTERACIONES CON SENSOR DE MONÓXIDO DE CARBONO PODRÍA OCASIONAR CONDICIONES PELIGROSAS  
L'ALTÉRATION DE CAPTEUR DE MONOXYDE DE CARBONE PEUT ENTRAÎNER DES CONDITIONS DANGEREUSES

- MOVE TO FRESH AIR.
- GET MEDICAL HELP IF SICK, DIZZY OR WEAK.
- MOVER AL AIRE LIBRE
- OBTENER ATENCIÓN MÉDICA SI SE SIENTE ENFERMO, MAREADO O DÉBIL.
- VOUS RETIENIR À L'AIR FRAIS
- CONSULTER UN MÉDECIN SI VOUS ÊTES MALADE, ÉTOURDI OU FAIBLE

**POINT**  
ORIENTAR  
DIRIGIR

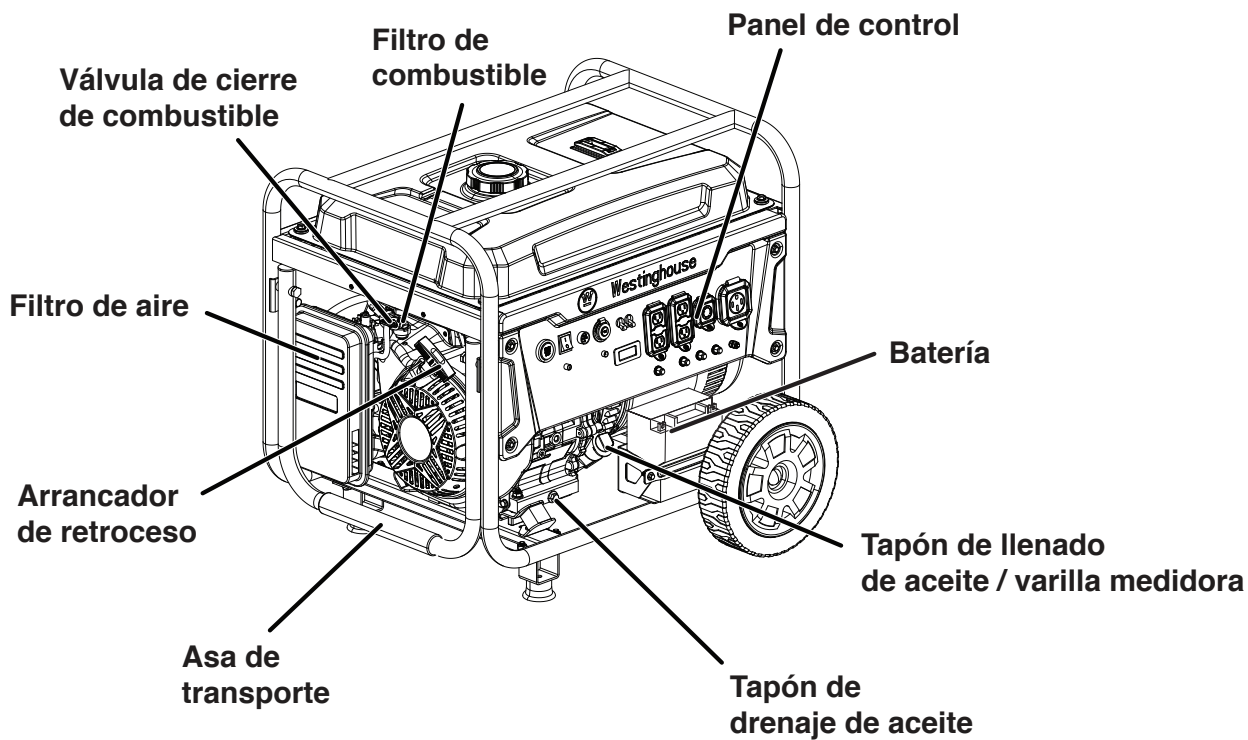
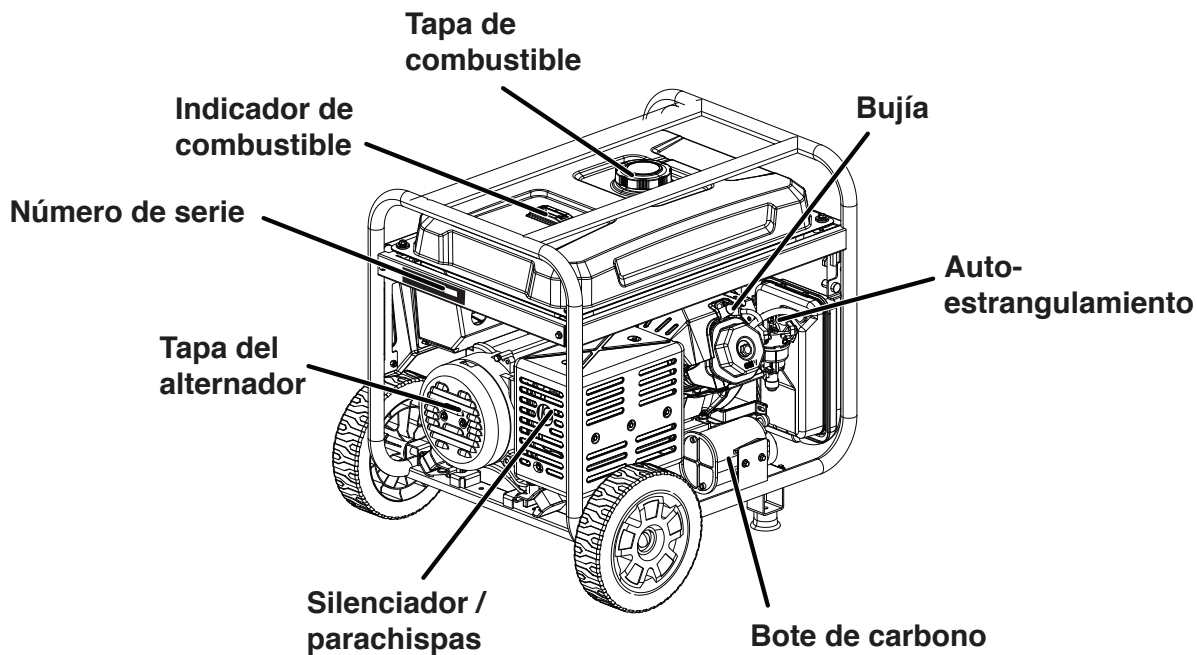
**EXHAUST**  
EL TUBO DE ESCAPE  
L'ÉCHAPPEMENT

**AWAY**  
HACIA AFUERA  
LOIN DE VOUS

# CARACTERISTICAS

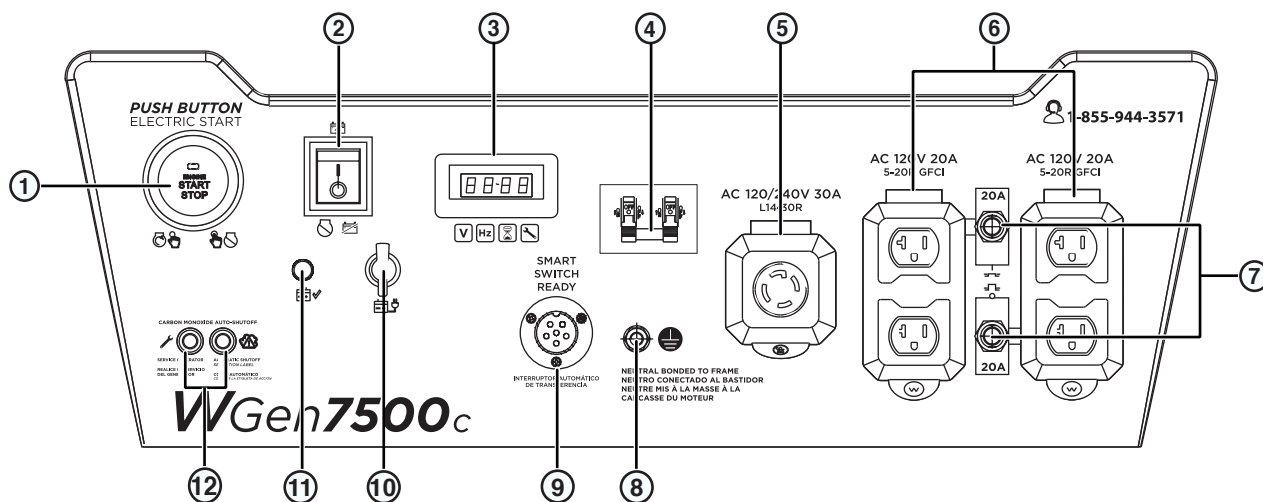
## CARACTERISTICAS

### COMPONENTES DEL GENERADOR



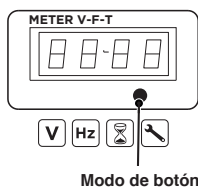
# CARACTERÍSTICAS

## COMPONENTES DEL PANEL DE CONTROL



- Botón de ARRANQUE / PARO:** Presiónelo una vez para arrancar el motor automáticamente. Presione de nuevo para detener el motor.
- Interruptor de batería:** enciende y apaga la batería. Debe estar ENCENDIDO antes del arranque eléctrico o remoto.
- Centro de datos:** alterne para mostrar voltaje, frecuencia, contador de horas total y temporizador de funcionamiento / mantenimiento.
- Disyuntor principal:** El disyuntor principal controla la salida total de todos los tomacorrientes para proteger al generador de sobrecargas o cortocircuitos.
- Receptáculo con cierre giratorio NEMA 14-30R de 120/240 voltios CA, 30 amperios:** el receptáculo puede suministrar un máximo de 30 amperios.
- Receptáculos GFCI NEMA 5-20R dúplex de 120 voltios CA, 20 amperios:** los receptáculos pueden suministrar un máximo de 20 amperios.
- Receptáculos GFCI NEMA 5-20R dúplex de 120 voltios CA, 20 amperios:** los receptáculos pueden suministrar un máximo de 20 amperios.
- Disyuntores de CA de 20 amperios:** los disyuntores limitan la corriente que se puede suministrar a través de los receptáculos NEMA 5-20R a 20 amperios.
- Terminal de tierra:** El terminal de tierra se utiliza para conectar a tierra externamente el generador.
- Salida de interruptor inteligente:** conecta el interruptor Westinghouse ST (se vende por separado) al panel de control.
- Puerto de carga de la batería:** se utiliza para cargar la batería con el cargador de batería incluido.
- Indicador de batería:** indica que la energía está encendida. La luz permanecerá encendida mientras la unidad esté encendida.
- Luces indicadoras del sensor de CO:** El sensor de CO monitorea la acumulación de gas venenoso de monóxido de carbono. Si se detectan niveles crecientes de gas CO, el sensor de CO apaga automáticamente el motor.

### Visualización de datos



**V 122**

**Voltaje:**  
Muestra la salida de voltaje actual

**F - 60**

**Frecuencia (Hz):**  
Muestra la frecuencia de salida de potencia en hercios

**0023**

**Horas de vida:**  
Muestra las horas de funcionamiento de la vida útil

**0000**

**Tiempo de ejecución / mantenimiento:**

Muestra el tiempo de ejecución actual. Se restablece a cero cuando se apaga. Se muestra un recordatorio de mantenimiento cuando es necesario.

### Códigos de mantenimiento:

P25: Cambia el aceite del motor  
P50: Filtro de aire limpio  
P100: Cambia el aceite del motor, Filtro de aire limpio, reemplazar filtro de combustible

# MONTAJE

## MONTAJE

### CONTENIDO DE LA CAJA

#### **⚠ PRECAUCIÓN**

Peligro de peso. Siempre tenga ayuda cuando levante el generador.

1. Abra la caja con cuidado.
2. Retire y guarde el manual de instrucciones, la botella de aceite, el embudo de aceite, la manguera de GLP / propano, la llave de tubo de bujía y el cargador de batería.
3. Retire y deseche los materiales de embalaje.
4. Despliegue la parte superior de la bolsa de plástico que encierra el generador.
5. Corte con cuidado las esquinas verticales de la caja para acceder al generador.
6. Recicle o deseche los materiales de embalaje correctamente.

### CONTENIDO DE LA CAJA

- Manual de usuario
- Guía de inicio rápido
- Llavero de arranque remoto (adjunto al arrancador de retroceso)
- Botella de aceite SAE 10W-30
- Cargador de batería
- Llave de tubo para bujías
- Embudo de aceite
- Llave de montaje
- Componentes de rueda y pie de montaje

Artículo	Cantidad
• Pie de montaje	2
• Perno de brida, M8	4
• Rueda	2
• Pasador del eje	2
• Lavadora	2
• Pasador de chaveta	2

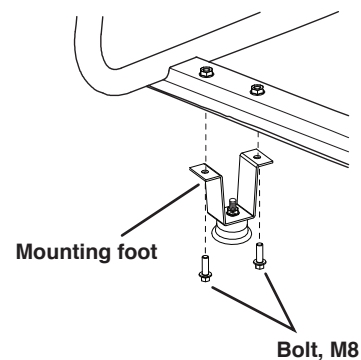
Si falta alguna pieza, comuníquese con nuestro equipo de servicio en [service@wpowereq.com](mailto:service@wpowereq.com) o llame al 1-855-944-3571.

## INSTALE PIES Y RUEDAS

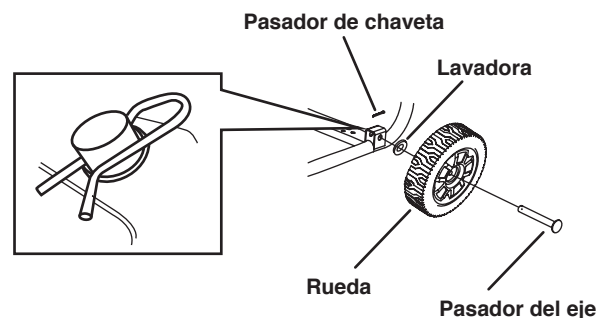
### AVISO

El ensamblaje del generador requerirá levantar la unidad por un lado. Instale las patas de montaje y la rueda antes de agregar combustible o aceite.

7. Coloque el generador sobre una superficie plana.
8. Incline el generador sobre un trozo de cartón u otro material blando para proteger la pintura del marco y evitar que el generador se deslice.
9. Con la llave incluida, instale los pies de montaje en el marco como se muestra.



10. Instale las ruedas como se muestra.



**Nota:** Las ruedas solo están diseñadas para el transporte manual. Las ruedas no son adecuadas para remolcar el generador dentro o fuera de la carretera.

## LLENADO DE ACEITE INICIAL

### AVISO

ESTE GENERADOR SE HA ENVIADO SIN ACEITE. No intente arrancar o arrancar el motor antes de que haya recibido el servicio adecuado con el aceite recomendado. No agregar aceite de motor antes de arrancar resultará en daños graves al motor.

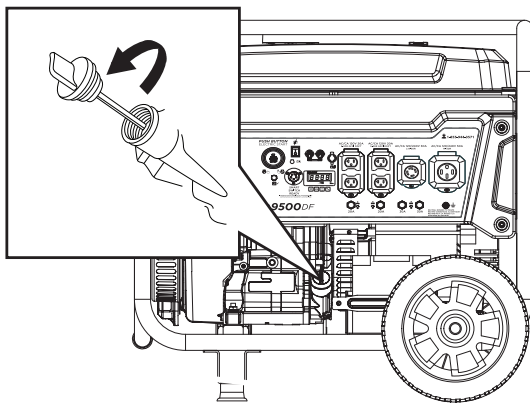
### AVISO

El uso de aceite de 2 tiempos / ciclo u otros tipos de aceite no aprobados puede causar daños graves al motor que no están cubiertos por la garantía.

El tipo de aceite recomendado incluido para uso típico es aceite de motor 10W-30. Si hace funcionar el generador en temperaturas extremas, consulte la siguiente tabla.

Tipo de aceite de motor recomendado								
		10W-30						
	5W-30						10W-40	
	5W-30 Synthetic							
°F	-20	0	20	40	60	80	100	120
°C	-28.9	-17.8	-6.7	4.4	15.6	26.7	37.8	48.9
Temperatura ambiente								

1. En una superficie nivelada, retire la varilla medidora de aceite.



2. Con el embudo y el aceite suministrados, agregue aceite en la boca de llenado de aceite.

**Nota:** Como el aceite residual de la fábrica puede permanecer en el motor, agregue el aceite gradualmente cerca del final de la botella para evitar sobrellenar el motor. Consulte Comprobación del nivel de aceite del motor en la sección Mantenimiento.

3. Reemplace la varilla medidora de aceite y apriete a mano.

## COMBUSTIBLE

### ⚠ ADVERTENCIA

Riesgo de incendio y explosión. Nunca use un recipiente de gasolina, tanque de gasolina o cualquier otro elemento de combustible que esté roto, cortado, rasgado o dañado.

### ⚠ PELIGRO

Riesgo de incendio y explosión. No llene demasiado el tanque de combustible. Llene solo hasta el anillo de llenado rojo ubicado en el filtro de malla de combustible en el tanque. El sobrellenado puede hacer que el combustible se derrame sobre el motor y cause un riesgo de incendio o explosión.

### ⚠ PELIGRO

Riesgo de incendio y explosión. Nunca reposte el generador con el motor en marcha. Siempre apague el motor y deje que el generador se enfríe durante dos minutos antes de repostar.

### AVISO



No utilice combustible E15 o E85 en este producto. La garantía no cubre los daños al motor o al equipo causados por combustible viejo o el uso de combustibles no aprobados (como mezclas de etanol E15 o E85). Utilice únicamente gasolina sin plomo que contenga hasta un 10% de etanol.

## REQUISITOS DE COMBUSTIBLE

- Gasolina sin plomo, fresca y magra, de 87 a 93 octanos.
- Se acepta hasta un 10% de etanol (gasohol) (cuando esté disponible; se recomienda combustible sin etanol).
- NO use E85 o E15.
- NO use una mezcla de gasóleo.
- NO modifique el motor para que funcione con combustibles alternativos.
- NO cargue combustible en interiores.
- NO cree una chispa o llama mientras reposta.

## USANDO ESTABILIZADOR DE COMBUSTIBLE

Agregar un estabilizador de combustible (no incluido) extiende la vida útil del combustible y ayuda a prevenir la formación de depósitos que pueden obstruir el sistema de combustible. Siga las instrucciones de uso del fabricante.

# MONTAJE

Siempre mezcle la cantidad correcta de estabilizador de combustible con gasolina en un recipiente de gasolina aprobado antes de cargar combustible al generador. Haga funcionar el generador durante cinco minutos para permitir que el estabilizador trate todo el sistema de combustible.

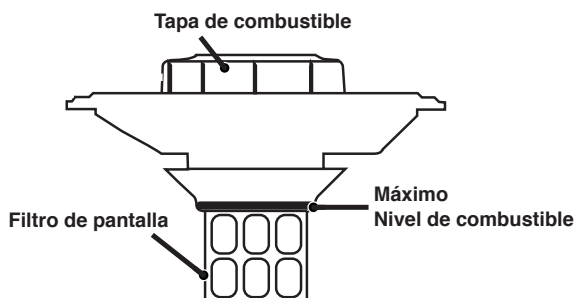
## LLENADO DEL TANQUE DE COMBUSTIBLE

1. Apague el generador y deje que se enfríe durante un mínimo de dos minutos antes de cargar combustible.
2. Coloque el generador en un terreno nivelado en un área bien ventilada.
3. Limpie el área alrededor de la tapa de combustible y retire la tapa lentamente.

### AVISO

Llene el tanque únicamente con un recipiente de gasolina aprobado. Asegúrese de que el recipiente de gasolina esté limpio por dentro y en buenas condiciones para evitar la contaminación del sistema de combustible.

4. Agregue lentamente el combustible recomendado. No llene demasiado. Llene solo hasta el anillo de llenado máximo rojo en el filtro de malla de combustible visible en el cuello de llenado.



5. Instale la tapa de combustible. Apriete hasta que se escuche un clic.

### AVISO

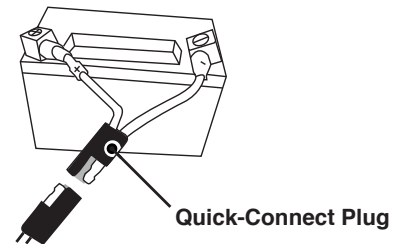
El combustible puede dañar la pintura y el plástico. Tenga cuidado al llenar el tanque de combustible. Los daños causados por el combustible derramado no están cubiertos por la garantía.

### AVISO

Limpie los residuos del filtro de malla de combustible antes y después de cada repostaje. Quite el filtro de malla de combustible comprimiéndolo ligeramente mientras lo saca del tanque de combustible.

## CONECTAR LA BATERÍA

Un enchufe de batería de conexión rápida está preinstalado en la batería. Retire la atadura de cables que sujeta los enchufes y luego presione firmemente para conectarlos.



**Nota:** El generador está equipado con una función de carga de batería. Una vez que el motor está en marcha, una pequeña carga recargará lentamente la batería.



## OPERACIÓN

### UBICACIÓN DEL GENERADOR

Lea y comprenda toda la información de seguridad antes de encender el generador.

#### **⚠ PELIGRO**

Usar un generador en interiores PUEDE MATARLO EN MINUTOS. El escape del generador contiene monóxido de carbono. Este es un veneno que no se puede ver ni oler.



NUNCA lo use dentro de una casa o garaje, AUNQUE las puertas y ventanas estén abiertas.



Úselo solo EN EXTERIORES y lejos de ventanas, puertas y conductos de ventilación.

NUNCA opere el generador dentro de un edificio, incluidos garajes, sótanos, espacios de acceso, cobertizos, cerramientos o compartimentos, incluido el compartimento del generador de un vehículo recreativo.

#### **⚠ PELIGRO**

Riesgo de electrocución. Nunca use el generador en un lugar mojado o húmedo. Nunca exponga el generador a la lluvia, nieve, rocío de agua o agua estancada mientras esté en uso. Proteja el generador de todas las condiciones climáticas peligrosas. La humedad o el hielo pueden provocar un cortocircuito u otro mal funcionamiento en el circuito eléctrico. El uso de un generador o aparato eléctrico en condiciones de humedad, como lluvia o nieve, o cerca de una piscina o sistema de rociadores, o cuando sus manos están mojadas, puede resultar en electrocución.

#### **⚠ ADVERTENCIA**

Peligro de incendio. Utilice el generador únicamente sobre una superficie sólida y nivelada. Operar el generador en una superficie con material suelto, como arena o recortes de césped, puede hacer que el generador ingiera desechos que podrían bloquear las rejillas de ventilación o el sistema de admisión de aire. Deje que el generador se enfríe durante 30 minutos antes de transportarlo o almacenarlo.

El generador debe estar en una superficie plana y nivelada en todo momento (incluso cuando no esté en funcionamiento). El generador debe tener al menos 5 pies (1,5 m) de espacio libre de todo material combustible.

No opere el generador en la parte trasera de un SUV, caravana, remolque, caja de camión (regular, plana o de otro tipo), debajo de escaleras, cerca de paredes o edificios, o en cualquier otro lugar que no permita el enfriamiento adecuado del generador y / o silenciador. NO contenga generadores durante el funcionamiento.

#### **⚠ PELIGRO**

Peligro de asfixia. Coloque el generador en un área bien ventilada. NO coloque el generador cerca de conductos de ventilación o entradas donde los gases de escape puedan entrar en espacios ocupados o confinados. Considere cuidadosamente las corrientes de aire y viento cuando coloque el generador.

### TOMA DE TIERRA

#### **⚠ ADVERTENCIA**

Peligro de choque. No conectar a tierra correctamente el generador puede provocar una descarga eléctrica.

### AVISO

Utilice únicamente cables de extensión, herramientas y electrodomésticos de 3 clavijas con conexión a tierra, o herramientas y electrodomésticos con doble aislamiento.

El neutro del generador está unido al bastidor. Si este El neutro del generador está unido al bastidor. Hay un conductor permanente entre el generador (cable del estator) y el marco. Si este generador se utilizará únicamente con un cable y equipo de enchufe conectados a los receptáculos montados en el generador, el Código Eléctrico Nacional no requiere que la unidad esté conectada a tierra. Sin embargo, otros métodos de uso del generador pueden requerir conexión a tierra para reducir el riesgo de descarga eléctrica o electrocución.

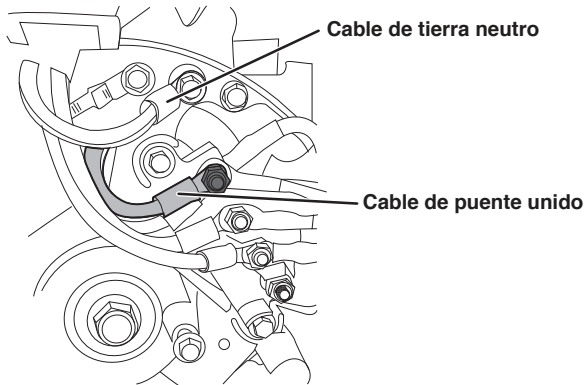
Antes de usar el terminal de tierra, consulte a un electricista calificado, inspector eléctrico o agencia local que tenga jurisdicción sobre los códigos u ordenanzas locales que se aplican al uso previsto del generador.

### DESCONEXIÓN DEL NEUTRO UNIDO

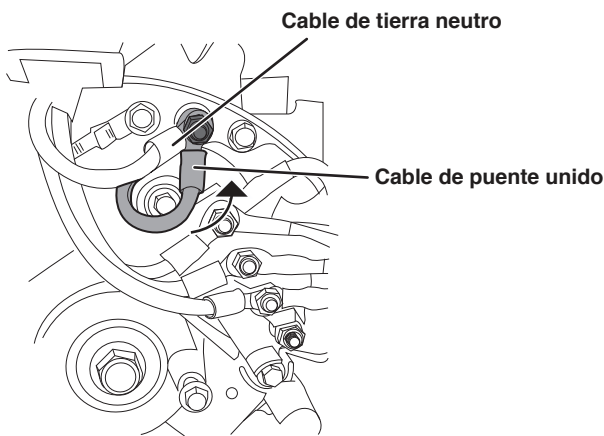
Al quitar el neutro unido se desactiva la protección GFCI de los receptáculos 5-20R. El neutro adherido solo debe eliminarse en circunstancias específicas. Consulte a un electricista calificado para determinar si su situación requiere desconectar el neutro conectado.

1. Retire la tapa del alternador.
2. Retire el cable de puente unido y vuelva a instalar la tuerca.

# OPERACIÓN



3. Retire la tuerca que asegura el cable de tierra neutral y conecte el cable de puente unido. Reinstale la tuerca.



4. Vuelva a instalar la tapa del alternador.

**IMPORTANTE:** Aplique una nueva etiqueta de “NEUTRO SIN PEGAR” sobre la etiqueta “NEUTRO PEGADO AL MARCO” en la parte frontal del panel de control.

## OPERACIÓN A GRAN ALTITUD

La potencia del motor se reduce cuanto más alto se opera sobre el nivel del mar. La producción se reducirá aproximadamente un 3,5% por cada 1000 pies de aumento de altitud desde el nivel del mar.

Se requiere un ajuste de altitud elevada para el funcionamiento a altitudes superiores a los 5.000 pies (1524 m). El funcionamiento sin este ajuste provocará una disminución del rendimiento, un mayor consumo de combustible y un aumento de las emisiones.

### AVISO

**DO NOT** operate the generator at altitudes below 2,000 ft. (762 m) with the high altitude kit installed. Engine damage may occur.

**Kit de carburador para gran altitud: Parte# 518076-1**

**Nota:** Debe comprar tanto el regulador de combustible dual como el kit de carburador para un funcionamiento adecuado a gran altitud.

## INICIO REMOTO

### ⚠ ADVERTENCIA

Verifique que el área alrededor del generador esté despejada antes de arrancar el generador a distancia.

El llavero de arranque remoto incluido con el generador debe estar conectado a la palanca de retroceso o al panel de control. Si su unidad se envió sin un llavero, comuníquese con el servicio al cliente de Westinghouse.

El generador se puede iniciar de forma remota desde hasta 99 pies (30 metros) utilizando el llavero de encendido remoto.

**Nota:** A medida que se agotan las baterías del llavero de encendido remoto, la distancia operativa disminuirá.

## EMPAREJANDO EL INICIO REMOTO

**Baterías de repuesto remotas: (2) CR2016**

**Control remoto de repuesto: Parte# 100714A**

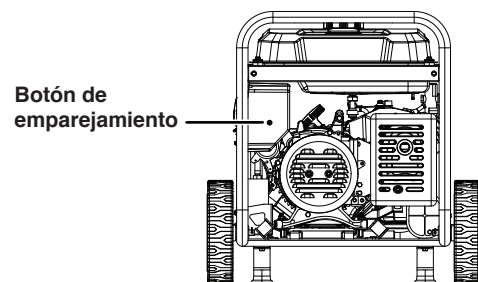
Si se reemplaza el llavero de arranque remoto o necesita volver a emparejarse con el generador, siga este procedimiento.

1. Gire el interruptor de la batería del generador a la posición ON. La luz indicadora de encendido se iluminará.

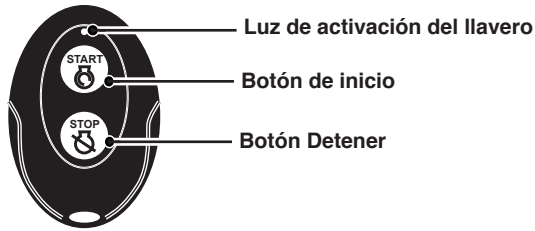
Pulsar el botón START / STOP



2. Mantenga presionado el botón de emparejamiento rojo en el costado del panel de control hasta que se ilumine el botón START / STOP.



- Mantenga presionado el botón STOP en el llavero hasta que la iluminación del botón START / STOP se apague. Suelta el botón. El botón START / STOP se iluminará después de soltar el botón.



- Mantenga presionado el botón START en el llavero hasta que la iluminación del botón START / STOP se apague. Suelta el botón. El botón START / STOP se iluminará después de soltar el botón.
- Presione el botón de Emparejamiento en el costado del panel de control hasta que la iluminación del botón START / STOP se apague. Suelta el botón.
- Gire el interruptor de la batería del generador a la posición de APAGADO. El control remoto ahora está emparejado.

## ANTES DE ARRANCAR EL GENERADOR

Comprueba eso:

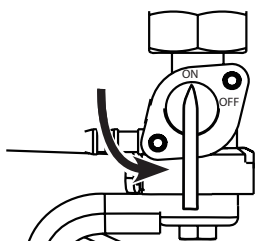
- El generador se coloca en un lugar seguro y apropiado.
- El generador está sobre una superficie seca, plana y nivelada.
- El motor está lleno de aceite.
- Todas las cargas están desconectadas.

### ⚠ PELIGRO

Riesgo de incendio y explosión. NO mueva ni incline el generador durante el funcionamiento.

## ARRANCAR EL MOTOR

- Verifique que haya combustible en el tanque de gasolina.
- Gire el interruptor selector de combustible en el panel de control a funcionamiento con gasolina.
- Gire la válvula del tanque de combustible a la posición ON.



- Empuje el interruptor de la batería a la posición ON.

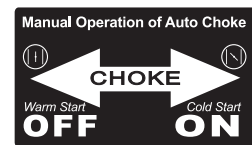
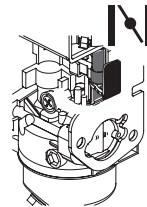
- Elija el método de inicio:

**a. Arranque remoto:** Mantenga presionado el botón START en el llavero de arranque remoto durante un segundo.

**Nota:** Los generadores equipados con arranque remoto deben reiniciarse con el botón START / STOP en el panel de control después de que ocurra un apagado automático.

**b. Arranque con botón pulsador:** Mantenga pulsado el botón ARRANQUE / PARO del motor durante dos segundos.

**c. Inicio de retroceso:** Si es un arranque en frío, cierre manualmente el estrangulador moviéndolo hacia la derecha hacia la manija delantera del generador. Sujete firmemente y tire lentamente de la manija de retroceso hasta que sienta una mayor resistencia, luego tire rápidamente.



## PARAR EL MOTOR

- Apague y desenchufe todas las cargas eléctricas conectadas.

**IMPORTANTE:** Nunca arranque ni detenga el generador con dispositivos eléctricos conectados.

- Deje que el generador funcione sin carga durante varios minutos para estabilizar las temperaturas internas del motor.
- Mantenga presionado el botón START / STOP durante un segundo o presione STOP en el llavero de inicio remoto durante un segundo.

**Nota:** Alternativamente, si el generador se usa con poca frecuencia, gire la válvula del tanque de combustible a la posición de APAGADO para limitar el combustible residual que queda en la taza del flotador del carburador. El motor se detendrá cuando se agote el combustible en el carburador y la línea de combustible..

- Empuje el interruptor de la batería a la posición de APAGADO.

# OPERACIÓN

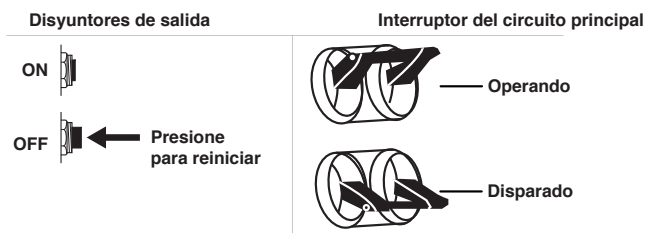
## FRECUENCIA DE USO

Si el generador se usará de manera poco frecuente o intermitente (más de un mes antes del próximo uso), consulte las secciones de Mantenimiento y almacenamiento de la batería de este manual para obtener información sobre la carga de la batería y el deterioro del combustible.

## DISYUNTORES DE CA

Los disyuntores se apagarán automáticamente si hay un cortocircuito o una sobrecarga significativa del generador en cada receptáculo. El disyuntor principal se apagará automáticamente si la carga combinada de los receptáculos excede los 40 amperios.

Si un disyuntor de CA se APAGA automáticamente, verifique que el aparato esté funcionando correctamente y que no exceda la capacidad de carga nominal del circuito antes de reiniciar el disyuntor de CA.



## CAPACIDAD DEL GENERADOR

### AVISO

No sobrecargue la capacidad del generador. Exceder la capacidad de vataje / amperaje del generador puede dañar el generador y / o los dispositivos eléctricos conectados a él.

Asegúrese de que el generador pueda suministrar suficientes vatios continuos (en funcionamiento) y de sobretensión (arranque) para los elementos que alimentará al mismo tiempo.

Se deben considerar los requisitos de potencia total (voltios x amperios = vatios) de todos los aparatos conectados. Los fabricantes de electrodomésticos y herramientas eléctricas suelen incluir información de clasificación cerca del modelo o número de serie.

Para determinar los requisitos de energía:

1. Seleccione los elementos que alimentará al mismo tiempo.
2. Sume los vatios continuos (en funcionamiento) de estos artículos. Esta es la cantidad de energía que debe producir el generador para mantener los elementos en funcionamiento. Consulte la tabla de referencia de potencia en la página siguiente.

3. Calcule cuántos vatios de sobretensión (arranque) necesitará. El vataje de sobretensión es la breve ráfaga de energía necesaria para arrancar herramientas o aparatos accionados por motor eléctrico, como una sierra circular o un refrigerador. Debido a que no todos los motores arrancan al mismo tiempo, los vatios de sobretensión totales se pueden estimar agregando solo los elementos con los vatios de sobretensión adicionales más altos al total de vatios nominales del paso 2.

### Ejemplo:

Herramienta o aparato	Ejecución de Watts *	Watts de arranque*
TV (tipo de tubo)	300	0
Refrigerador RV	180	600
Radio	200	0
Ligera (75 vatios)	300	0
Cafetera	600	0
	1580	600
	Total Ejecución de Watts *	Watts iniciales más altos *
	Vatios totales en funcionamiento	1580
	Watts iniciales más altos	+ 600
	Total de vatios iniciales necesarios	2180

\* Las potencias indicadas son aproximadas. Verifique la potencia real.

## GESTIÓN DE ENERGÍA

Para prolongar la vida útil del generador y los dispositivos conectados, tenga cuidado al agregar cargas eléctricas al generador. No debe haber nada conectado a las salidas del generador antes de arrancar el motor. La forma correcta y segura de administrar la energía del generador es agregar cargas secuencialmente de la siguiente manera:

1. Sin nada conectado al generador, arranque el motor como se describe en este manual.
2. Enchufe y encienda la primera carga, preferiblemente la carga más grande que tenga.
3. Permita que la salida del generador se establezca (el motor funciona sin problemas y el dispositivo conectado funciona correctamente).
4. Enchufe y encienda la siguiente carga.
5. Nuevamente, permita que el generador se estabilice.
6. Repita los pasos 4 y 5 para cada carga adicional.

### Referencia de potencia

Herramienta o aparato	Watts de funcionamiento estimados *	Watts iniciales estimados *
Luces incandescentes (4 cantidades x 75 vatios)	300	0
TV (tipo de tubo)	300	0
Bomba de sumidero (1/3 hp)	800	1300
Refrigerador o congelador	700	2200
Bomba de pozo (1/3 hp)	1000	2000
Radio	200	0
Taladro (3/8 ", 4 amperios)	440	600
Sierra circular (Servicio pesado, 7-1 / 4 ")	1400	2300
Sierra de inglete (10 ")	1800	1800
Sierra de mesa (10 ")	2000	2000

\* Las potencias indicadas son aproximadas. Verifique la potencia real.

## CABLES DE EXTENSIÓN

### ⚠ ADVERTENCIA

Peligro de asfixia. Los cables de extensión que llegan directamente a la casa aumentan el riesgo de intoxicación por monóxido de carbono a través de las aberturas. Si se utiliza un cable de extensión que llega directamente a su casa para alimentar elementos de interior, existe el riesgo de intoxicación por monóxido de carbono para las personas dentro de la casa. Utilice siempre detectores de monóxido de carbono a batería que cumplan con los estándares de seguridad UL 2034 actuales cuando haga funcionar el generador. Compruebe periódicamente la batería de los detectores.

### ⚠ ADVERTENCIA

Peligro de asfixia. Cuando opere el generador con cables de extensión, asegúrese de que el generador esté ubicado en un área abierta al aire libre, al menos a 20 pies (6 m) de los espacios ocupados con el escape apuntando hacia afuera.

### ⚠ ADVERTENCIA

Riesgo de incendio y electrocución. Nunca use cables de extensión gastados o dañados. Los cables de extensión dañados o sobrecargados podrían sobrecalentarse, formarse un arco y quemarse y provocar la muerte o lesiones graves.

Antes de conectar un aparato de CA o un cable de alimentación al generador:

- Use cables de extensión, herramientas y electrodomésticos de tres clavijas con conexión a tierra, o herramientas y electrodomésticos con doble aislamiento.
- Asegúrese de que la herramienta o el aparato estén en buenas condiciones de funcionamiento. Los electrodomésticos o cables de alimentación defectuosos pueden crear una posible descarga eléctrica.
- Asegúrese de que la clasificación eléctrica de la herramienta o aparato no exceda la potencia nominal del generador o del receptáculo que se está utilizando.

# OPERACIÓN

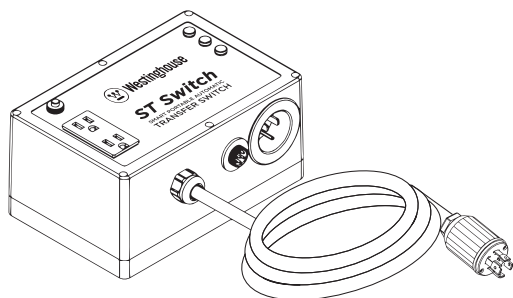
## TAMAÑO DEL CABLE DE EXTENSIÓN

Utilice únicamente cables de extensión de 3 clavijas con conexión a tierra marcados para uso en exteriores que estén clasificados para la carga eléctrica.

Total Amperaje	Calibre mínimo, clasificado para exteriores	
	Hasta 50 FT (15 M)	Hasta 100 FT (30 M)
Hasta 10A	12	8
Hasta 15A	10	8
Hasta 20A	10	6
Hasta 30A	8	6
Hasta 35A	6	6

## INTERRUPTOR ST

El wGen9500DF es compatible con el ST Switch, que se compra por separado. Cuando la energía de la red pública está encendida, proporcionará energía (hasta 120 V a 20 A) a los aparatos conectados al receptáculo 5-20R del interruptor ST. Cuando se pierde la energía de la red, el interruptor ST transfiere automáticamente la energía de entrada de la red a la del generador. Cuando se restablece la energía de la red pública, el interruptor ST transfiere la energía de entrada a la red pública. Visite [www.westinghouseoutdoorpower.com](http://www.westinghouseoutdoorpower.com) para obtener más información.



## TRANSPORTE

### ⚠ PRECAUCIÓN

Peligro de peso. Siempre tenga ayuda cuando levante el generador.

- Deje que el generador se enfríe un mínimo de 30 minutos antes de transportarlo.
- Reemplace todas las cubiertas protectoras en el panel de control del generador.
- Utilice únicamente el marco fijo del generador para levantar la unidad o sujetar cualquier restricción de carga, como cuerdas o correas de amarre. No intente levantar o asegurar el generador sujetándose a ninguno de sus otros componentes.
- Mantenga la unidad nivelada durante el transporte para minimizar la posibilidad de fugas de combustible o, si es posible, drene el combustible o haga funcionar el motor hasta que el tanque de combustible esté vacío antes del transporte.
- Las ruedas del generador solo están diseñadas para el transporte manual. Las ruedas no son adecuadas para remolcar el generador dentro o fuera de la carretera.
- Utilice el asa extensible para el transporte manual por una sola persona. Utilice la manija únicamente cuando el generador esté APAGADO, parado y apoyado sobre una superficie horizontal. No use la manija para levantar el generador completamente del suelo, remolcarlo o ponerlo.
- Las ruedas del generador (si están instaladas) solo están diseñadas para el transporte manual. Las ruedas no son adecuadas para remolcar el generador dentro o fuera de la carretera.
- Utilice el asa extensible para el transporte manual de una sola persona. Utilice la manija únicamente cuando el generador esté APAGADO, parado y apoyado sobre una superficie horizontal. No use la manija para levantar el generador completamente del suelo, remolcarlo o ponerlo en posición vertical.

### ⚠ PRECAUCIÓN

Peligro de incendio. No apague completamente el generador. Se pueden producir fugas de combustible o aceite y se pueden producir daños en el generador.

## MANTENIMIENTO

### ⚠ ADVERTENCIA

Arranque accidental. Desconecte la funda de la bujía de la bujía y desconecte las bujías de conexión rápida de la batería cuando realice el mantenimiento del generador.

### PROGRAMA DE MANTENIMIENTO

El mantenimiento regular mejorará el rendimiento y extenderá la vida útil del generador. Siga los intervalos horarios o de calendario, lo que ocurra primero. Se requiere un servicio más frecuente cuando se opera en condiciones adversas como se indica a continuación.

<b>Antes de cada uso</b>
Revise el aceite del motor
<b>Después de las primeras 25 horas o el primer mes</b>
Cambia el aceite del motor
<b>Después de 50 horas o cada 6 meses</b>
Cambiar el aceite del motor <sup>1</sup> Filtro de aire limpio <sup>2</sup>
<b>Después de 100 horas o cada 6 meses</b>
Inspeccione / limpie el parachispas Inspeccione / limpie la bujía Mantenimiento de la válvula de combustible Inspeccione / ajuste el juego de válvulas <sup>3</sup>
<b>Después de 300 horas o cada año</b>
Reemplace la bujía Reemplazar filtro de aire

- <sup>1</sup> Cambie el aceite cada mes cuando opere bajo carga pesada o en altas temperaturas.
- <sup>2</sup> Limpie con más frecuencia en condiciones de suciedad o polvo. Reemplace el filtro de aire si no se puede limpiar adecuadamente.
- <sup>3</sup> Recomiende que el servicio lo realice un distribuidor de servicio autorizado de Westinghouse.

### RECORDATORIOS DE MANTENIMIENTO

Los códigos de recordatorio de mantenimiento se mostrarán en la pantalla de datos según las horas de vida útil de la unidad. Los códigos de mantenimiento se mostrarán hasta que se apague la unidad. Consulte la sección Mantenimiento para conocer los procedimientos específicos.

Código de mantenimiento	Mantenimiento requerido
P25	Cambia el aceite del motor
P50	<ul style="list-style-type: none"> <li>Cambia el aceite del motor</li> <li>Filtro de aire limpio</li> </ul>
P100	<ul style="list-style-type: none"> <li>Cambia el aceite del motor</li> <li>Filtro de aire limpio</li> <li>Mantenimiento de la válvula de combustible</li> <li>Reemplace el filtro de combustible</li> <li>Inspeccione / ajuste la holgura de la válvula</li> </ul>

### PIEZAS DE REPUESTO PARA MANTENIMIENTO

Descripción	Part Number
Filtro de aire de espuma	5205
Arandela de presión del tapón de drenaje de aceite	94004
Supresor de chispas	6866
Batería, 9 AH	511008
Bujía	91708 (F7TC)

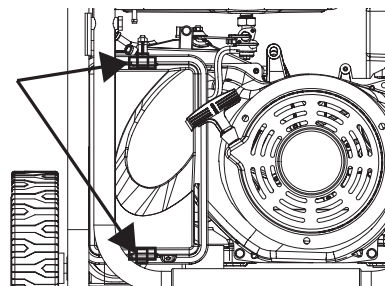
### MANTENIMIENTO DEL FILTRO DE AIRE

#### ⚠ ADVERTENCIA

Peligro de incendio. Nunca use gasolina u otros solventes inflamables para limpiar el filtro de aire. Utilice únicamente jabón detergente doméstico para limpiar el filtro de aire.

El filtro de aire debe limpiarse después de cada 50 horas de uso o cada seis meses (la frecuencia debe aumentarse si el generador se opera en un ambiente polvoriento).

- Coloque el generador en una superficie nivelada y deje que el motor se enfríe durante varios minutos.
- Suelte los clips superior e inferior y luego retire la cubierta del filtro de aire.



- Retire los filtros de aire. Utilice aire comprimido para limpiar el filtro de aire grueso.

# MANTENIMIENTO

**Note:** El elemento del filtro de aire de espuma está empapado en aceite. Utilice un recipiente de limpieza adecuado.

## AVISO

Evite el contacto de la piel con el aceite del motor. Use ropa y equipo de protección. Lave toda la piel expuesta con agua y jabón.

4. Retire el filtro de aire de espuma y lávelo sumergiéndolo en una solución de jabón detergente doméstico y agua tibia. Apriete lentamente la espuma para limpiar completamente.

## AVISO

NO retuerza ni rasgue el elemento del filtro de aire de espuma durante la limpieza o el secado. Aplique solo una acción de apriete lenta pero firme.

5. Enjuague el elemento del filtro de aire sumergiéndolo en agua dulce y aplicando una acción de presión lenta. Deje que el filtro se seque completamente.

## AVISO

No contaminar. Siga las pautas de la EPA u otras agencias gubernamentales para la eliminación adecuada de materiales peligrosos. Consulte a las autoridades locales o al centro de recuperación.

6. Sumerja el filtro de aire de espuma en aceite de motor limpio y luego exprima todo el exceso de aceite. El motor echará humo al arrancar si queda demasiado aceite en el filtro.
7. Instale el filtro de aire de espuma en la carcasa, luego el filtro de aire grueso. Instale la tapa del filtro de aire y asegúrela con los clips de la tapa.

## COMPROBACIÓN DEL NIVEL DE ACEITE DEL MOTOR

### ⚠ PRECAUCIÓN

Evite el contacto de la piel con el aceite del motor. Use ropa y equipo de protección. Lave toda la piel expuesta con agua y jabón.

## AVISO

Utilice siempre el aceite de motor especificado. No utilizar el aceite de motor especificado puede provocar un desgaste acelerado y / o acortar la vida útil del motor.

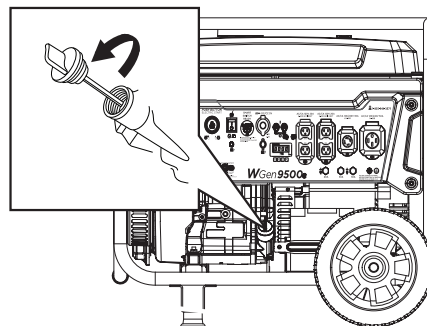
Cuando utilice el generador en condiciones extremas, sucias, polvorientas o en un clima extremadamente caluroso, cambie el aceite con más frecuencia.

La temperatura ambiente del aire afectará el rendimiento del aceite del motor. Cambie el tipo de aceite de motor utilizado según las condiciones climáticas.

Tipo de aceite de motor recomendado								
		10W-30						
	5W-30					10W-40		
	5W-30 Synthetic							
°F	-20	0	20	40	60	80	100	120
°C	-28.9	-17.8	-6.7	4.4	15.6	26.7	37.8	48.9
Temperatura ambiente								

Compruebe el nivel de aceite del motor antes de cada uso o cada 8 horas de funcionamiento.

1. Coloque el generador en una superficie nivelada y deje que el motor se enfríe durante varios minutos.
2. Con un trapo húmedo, limpie alrededor de la varilla medidora de aceite.
3. Retire la varilla medidora de aceite y límpiela.



4. Limpie la varilla de nivel, luego insértela en el cuello de llenado de aceite sin atornillarla. Retire la varilla de nivel y verifique que el nivel de aceite esté dentro del rango de operación seguro.



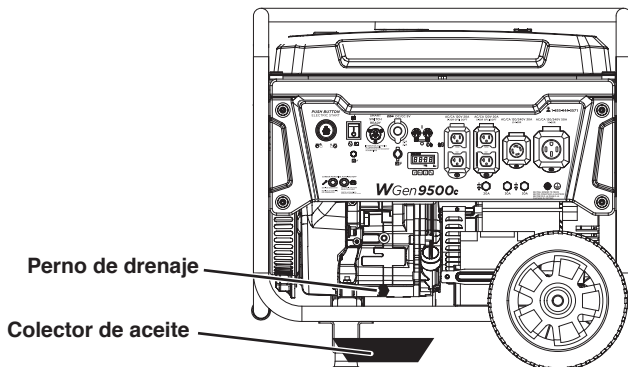
5. Si es bajo, agregue gradualmente el aceite de motor recomendado y vuelva a verificar hasta que el nivel esté entre las marcas L y H de la varilla de medición. No llene demasiado. Si supera la marca de lleno en la varilla de nivel, drene el aceite para reducir el nivel de aceite a la marca de lleno.
6. Reemplace la varilla medidora de aceite y apriete a mano.



## CAMBIO DE ACEITE DEL MOTOR

Cuando utilice el generador en condiciones extremas, sucias, polvorientas o en un clima extremadamente caluroso, cambie el aceite con más frecuencia. Cambie el aceite mientras el motor aún está caliente por la operación.

1. Coloque el generador en una superficie nivelada y deje que el motor se enfríe durante varios minutos.
2. Con un trapo húmedo, limpie alrededor de la varilla medidora de aceite. Retire la varilla y límpiela.
3. Coloque un cárter de aceite (o recipiente adecuado) debajo del perno de drenaje de aceite.
4. Con una llave de 10 mm, retire el perno de drenaje de aceite y deje que el aceite drene.



5. Instale el perno de drenaje de aceite y apriételo firmemente.

**Nota:** Se recomienda una nueva arandela de presión del tapón de drenaje de aceite en cada cambio de aceite.

6. Vierta lentamente aceite en el cuello de llenado de aceite hasta que el nivel de aceite esté entre las marcas L y H de la varilla de nivel. Deténgase con frecuencia para comprobar el nivel de aceite. No llene demasiado.

**Capacidad máxima de aceite: 1,16 cuartos (1,1 litros)**

7. Instale la varilla medidora de aceite y apriete a mano.

### NOTICE

No contaminar. Siga las pautas de la EPA u otras agencias gubernamentales para la eliminación adecuada de materiales peligrosos. Consulte a las autoridades locales o al centro de recuperación.

## MANTENIMIENTO DE BUJÍAS

### AVISO

Utilice siempre una bujía Westinghouse OEM o una bujía compatible sin resistencia. El uso de bujías de tipo resistor puede provocar un ralentí brusco, fallas de encendido o puede impedir que el motor arranque.

Inspeccione y limpie la bujía cada 100 horas de uso o cada seis meses. Reemplace la bujía después de 300 horas de uso o cada año.

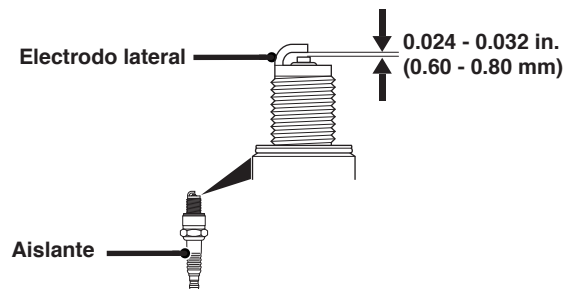
1. Coloque el generador en una superficie nivelada y deje que el motor se enfríe.
2. Retire la funda de la bujía tirando firmemente de la funda de la bujía directamente lejos del motor.
3. Limpia el área alrededor de la bujía.
4. Retire la bujía con la llave de tubo de bujía incluida.

### AVISO

Nunca aplique ninguna carga lateral ni mueva la bujía lateralmente al retirar la bujía.

5. Inspeccione la bujía. Reemplácelos si los electrodos están picados, quemados o si el aislante está agrietado. Utilice únicamente un enchufe de repuesto recomendado.
6. Mida el espacio entre los electrodos de la bujía con una galga de espesores de alambre. Si es necesario, corrija el espacio doblando con cuidado el electrodo lateral.

**Espacio de la bujía: 0.024 – 0.032 in. (0.60 – 0.80 mm)**



7. Instale con cuidado la bujía apretándola con los dedos, luego apriete 3/8 a 1/2 vuelta adicional con la llave para bujías.

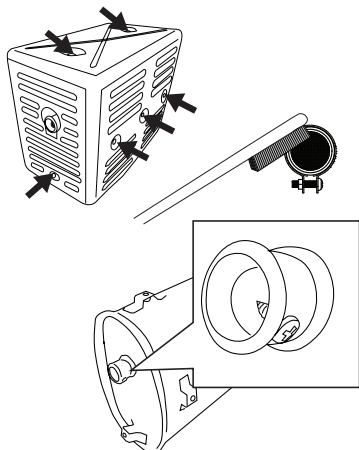
8. Coloque la funda de la bujía.

# MANTENIMIENTO

## SERVICIO DE APAGACHISPAS

Deje que el silenciador se enfríe completamente antes de dar servicio al parachispas. Revise y limpie el parachispas después de cada 100 horas de uso o cada seis meses. Si no se limpia el parachispas, se degradará el rendimiento del motor.

1. Coloque el generador en una superficie nivelada.
2. Retire los tornillos de la tapa y la tapa del silenciador. Utilice un destornillador para quitar el parachispas.



3. Retire con cuidado los depósitos de carbón de la pantalla del parachispas con un cepillo de alambre. El parachispas debe estar libre de roturas y roturas. Reemplace el parachispas si está dañado.
4. Vuelva a instalar el parachispas y la cubierta del silenciador.

## MANTENIMIENTO DE LA BATERÍA

### ⚠ ADVERTENCIA

Peligro de explosión. Las baterías emiten gases explosivos durante la carga. Mantenga alejado el fuego y las chispas.

La batería enviada con el generador está completamente cargada. Una batería puede perder algo de carga cuando no se usa durante períodos prolongados de tiempo.

**Nota:** Una vez encendido, el generador cargará la batería después de 30 a 60 minutos de uso.

El cargador lento incluido puede permanecer conectado y mantendrá la batería durante un período de tiempo indefinido. Una luz roja en el cargador indica que se está cargando. Una luz verde indica carga completa. Cargue en un lugar seco.

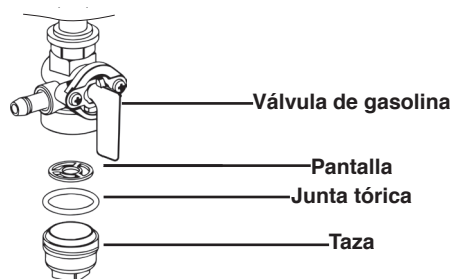
1. Enchufe el cargador en el puerto de carga de la batería en el panel de control.

2. Enchufe el extremo del receptáculo de pared del cargador de batería en un tomacorriente de pared de 120 voltios CA.

## MANTENIMIENTO DE LA VÁLVULA DE COMBUSTIBLE

La válvula de combustible está equipada con una copa de sedimentos de combustible, una rejilla y una junta tórica. La válvula de combustible no requiere servicio si la unidad se mantiene adecuadamente con combustible nuevo y limpio. Si se requiere la resolución de problemas relacionados con el combustible, realice el mantenimiento de la válvula de combustible.

1. Deje que el generador se enfríe completamente.
2. Gire la válvula de combustible a la posición de APAGADO.
3. Retire la copa de sedimentos de la válvula de combustible. Retire la junta tórica y la pantalla.



4. Lave la copa de sedimentos, la junta tórica y la pantalla con un disolvente no inflamable. Seque bien.
5. Coloque la pantalla y la junta tórica en la válvula de combustible. Instale la copa de sedimentos y apriétela firmemente.
6. Gire la válvula de combustible a la posición ON y verifique que no haya fugas. Reemplace la válvula de combustible si hay alguna fuga.

## CAMBIO DE BATERÍA

### ⚠ ADVERTENCIA

Peligro de quemaduras. La batería contiene ácido sulfúrico (electrolito) que es altamente corrosivo y venenoso. Use ropa protectora y protección para los ojos cuando trabaje cerca de la batería. Mantenga a los niños alejados de la batería.

### ⚠ PRECAUCIÓN

Los bornes y bornes de la batería contienen plomo y compuestos de plomo. Lávese las manos después de manipular.

# MANTENIMIENTO

1. Afloje y retire el perno de la placa de sujeción de la batería y gire la placa hacia afuera.
2. Desconecte los enchufes de conexión rápida y retire la batería de la unidad.
3. Desconecte los cables de desconexión rápida de la batería.
4. En la batería de reemplazo, conecte el cable de conexión rápida blanco (-) al terminal negativo de la batería. Deslice la funda de goma sobre el hardware de conexión.
5. Conecte el cable de conexión rápida rojo (+) al terminal positivo de la batería. Deslice la funda de goma sobre el hardware de conexión.
6. Instale la batería en el generador. Vuelva a instalar la placa de sujeción de la batería y apriete el perno.
7. Conecte el enchufe de conexión rápida.

## AVISO

Deseche la batería usada correctamente de acuerdo con las pautas establecidas por su gobierno local o estatal.

## ALMACENAMIENTO

Se requiere una preparación de almacenamiento adecuada para un funcionamiento sin problemas y la longevidad del generador.

## AVISO

La gasolina almacenada por tan solo 30 días puede deteriorarse, causando goma, barniz y acumulación de corrosivo en las líneas de combustible, los conductos de combustible y el motor. Esta acumulación corrosiva restringe el flujo de combustible, lo que puede evitar que el motor arranque después de un período de almacenamiento prolongado. El uso de estabilizador de combustible aumenta significativamente la vida útil de la gasolina. Se recomienda el uso de estabilizador de combustible a tiempo completo. Siga las instrucciones de uso del fabricante.

TIEMPO DE ALMACENAMIENTO	RECOMENDADO PROCEDIMIENTO
Menos de 1 mes	No requiere servicio.
2 a 6 meses	Llene con gasolina nueva y agregue estabilizador de gasolina. Drene el recipiente del flotador del carburador.
6 meses o más	Drene el tanque de combustible y el recipiente del flotador del carburador.

## ALMACENAMIENTO A CORTO PLAZO

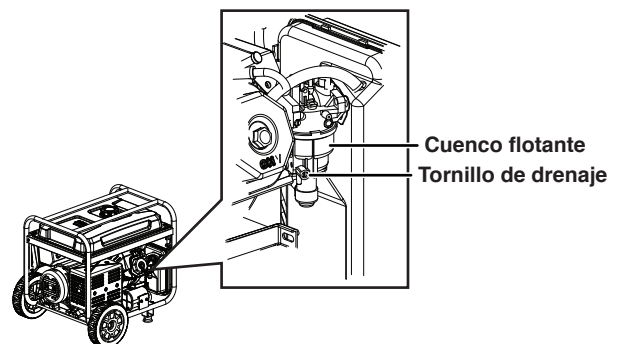
- Deje que el generador se enfríe un mínimo de 30 minutos antes de almacenarlo.
- Reemplace todas las cubiertas protectoras en el panel de control del generador.
- Limpie el generador con un paño húmedo. Limpie cualquier residuo de las rejillas de ventilación del silenciador.
- Almacene el generador en un lugar seco y bien ventilado, lejos de chispas, llamas abiertas, luces piloto, calor y otras fuentes de ignición, como áreas con motores eléctricos que producen chispas o donde se operan herramientas eléctricas.
- No almacene el generador, los tanques de gasolina o propano cerca de hornos, calentadores de agua o cualquier otro aparato que produzca calor o tenga encendido automático.
- With the engine and exhaust system cool and all surfaces dry, cover the generator to keep out dust. Do not use a plastic sheet as a dust cover. Non-porous materials trap moisture and promote rust and corrosion.

## ALMACENAMIENTO A LARGO PLAZO

Incluso el combustible debidamente estabilizado puede dejar residuos y provocar corrosión si se deja por un tiempo prolongado. Si almacena el generador durante dos a seis meses, drene el recipiente del flotador para evitar la acumulación de goma y barniz en el carburador.

## DRENAJE DEL BOWL FLOTADOR

1. Gire la válvula del tanque de combustible a la posición de APAGADO.
2. Localice el tornillo de drenaje en la parte inferior del recipiente del flotador del carburador.



3. Coloque un recipiente de gasolina apropiado debajo del tornillo de drenaje para recoger el combustible drenado.
4. Afloje el tornillo de drenaje del recipiente del flotador y deje que se drene el combustible. Apriete el tornillo de drenaje del recipiente del flotador.

# MANTENIMIENTO

## DRENAJE DEL TANQUE DE COMBUSTIBLE

Si almacena el generador durante más de seis meses, drene el tanque de combustible para evitar la separación del combustible, el deterioro y los depósitos en el sistema de combustible.

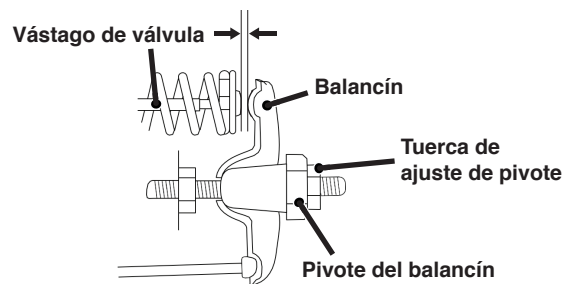
1. Desenrosque la tapa del tanque de combustible. Retire el filtro de malla de combustible comprimiéndolo ligeramente mientras lo saca del tanque.
2. Con una bomba manual de gasolina disponible en el mercado (no incluida), extraiga la gasolina del tanque de combustible a un recipiente de gasolina aprobado. NO use una bomba eléctrica.
3. Vuelva a instalar el filtro de malla de combustible y la tapa del tanque de combustible.
4. Encienda el generador y déjelo funcionar hasta que el motor del generador se detenga.
5. Empuje el interruptor de la batería a la posición de APAGADO.
6. Desconecte los enchufes de conexión rápida de la batería.
7. Retire la bujía.
8. Ponga una cucharadita de aceite de motor en el cilindro y tire de la manija de retroceso hasta que sienta resistencia. En esta posición, el pistón sube en su carrera de compresión y ambas válvulas están cerradas. Guardar el motor en esta posición ayudará a prevenir la corrosión interna. Vuelva a colocar el mango de retroceso con cuidado.
9. Vuelva a instalar la bujía. Deje la funda de la bujía desconectada para evitar un arranque accidental.

## JUEGO DE VÁLVULAS

### AVISO

La verificación y el ajuste de la holgura de las válvulas deben realizarse con el motor frío.

1. Retire la tapa del balancín y retire con cuidado la junta. Si la junta está rota o dañada, debe reemplazarse.
2. Retire la bujía para que el motor pueda girar más fácilmente.
3. Gire el motor hasta el punto muerto superior (TDC) tirando lentamente de la palanca de retroceso. Mirando a través del orificio de la bujía, el pistón debe estar en la parte superior (ambas válvulas están cerradas).
4. Ambos balancines deben estar sueltos en el PMS en la carrera de compresión. Si no es así, gire el motor 360 °.
5. Inserte una galga de espesores entre el balancín y el vástago de la válvula para medir la holgura de la válvula.



	Válvula de admisión	Válvula de escape
<b>Juego de válvulas</b>	0.0031 – 0.0047 in (0.08 – 0.12 mm)	0.0051 – 0.0067 in (0.13 – 0.17 mm)
<b>Esfuerzo de torsión</b>	8-12 N·m	8-12 N·m

6. Si es necesario un ajuste, sostenga el pivote del balancín y afloje la tuerca de ajuste del pivote.
7. Gire el pivote del balancín para obtener la holgura especificada. Sostenga el pivote del balancín y vuelva a apretar la tuerca de ajuste del pivote al par especificado.

### Esfuerzo de torsión: 106 pulgada-libra (12 N·m)

8. Realice este procedimiento para la otra válvula.
9. Instale la junta, la tapa del balancín y la bujía.

# SOLUCIÓN DE PROBLEMAS

## SOLUCIÓN DE PROBLEMAS

PROBLEMA	CAUSA POSIBLE	CORRECCIÓN
El motor no arranca	Interruptor de batería en la posición OFF.	Gire el interruptor de la batería a la posición ON.
	Sin combustible.	Repostar.
	Combustible en mal estado, generador almacenado sin tratar o drenar gasolina, o repostado con gasolina en mal estado.	Vacíe el tanque de combustible. Reposte con gasolina nueva.
	Filtro de aire sucio.	Limpiar el filtro de aire.
	El nivel de aceite del motor bajo detuvo el generador.	Si el LED de aceite bajo se ilumina, gire el interruptor de la batería a la posición de APAGADO. Agregue aceite de motor.
	Bujía mojada con combustible (motor ahogado).	Espere cinco minutos. Gire el interruptor de la batería a la posición APAGADO. Tire de la manija de retroceso rápidamente varias veces. Si el generador no arranca, retire la bujía y séquelo.
	Bujía defectuosa, sucia o abierta incorrectamente.	Separar o reemplazar la bujía. Reinstalar.
	Filtro de combustible restringido, falla del sistema de combustible, falla de la bomba de combustible, falla de encendido, válvulas atascadas, etc.	Comuníquese con el servicio al cliente de Westinghouse sin cargo al 1 (855) 944-3571.
	Batería drenada.	Utilice la palanca de retroceso para encender el generador. Carga la batería.
	Ahogador parcialmente abierto o cerrado debido a batería débil o desconectada.	Configure manualmente el estrangulador. Vea la sección de Mantenimiento.
	Sensor de CO eliminado o modificado.	Vuelva a la configuración original.
	Sensor de CO activado o se produjo una falla en el sistema.	Reubique el generador / Comuníquese con el servicio al cliente de Westinghouse sin cargo al 1 (855) 944-3571.
El motor arranca y luego se apaga	Sin combustible.	Repostar.
	Nivel de aceite de motor incorrecto.	Revise el nivel de aceite del motor.
	Filtro de aire sucio.	Limpiar el filtro de aire.
	Combustible contaminado.	Vacíe el tanque de combustible. Reposte con gasolina nueva.
	Interruptor de nivel de aceite bajo defectuoso.	Comuníquese con el servicio al cliente de Westinghouse sin cargo al 1 (855) 944-3571.
El motor carece de potencia	Filtro de aire restringido.	Limpiar o reemplazar el filtro de aire.
	Combustible en mal estado, generador almacenado sin tratar o drenar gasolina, o repostado con gasolina en mal estado.	Vacíe el tanque de combustible. Reposte con gasolina nueva.
	Filtro de combustible restringido, falla del sistema de combustible, falla de la bomba de combustible, falla de encendido, válvulas atascadas, etc.	Comuníquese con el servicio al cliente de Westinghouse sin cargo al 1 (855) 944-3571.
El motor funciona con dificultad o se atasca cuando se aplica carga	Filtro de aire sucio.	Limpiar el filtro de aire.
	Generador sobrecargado.	Desenchufe algunos dispositivos.
	Herramienta o aparato eléctrico defectuoso.	Reemplace o repare la herramienta o el electrodoméstico. Detenga y vuelva a arrancar el motor.
	Filtro de combustible restringido, falla del sistema de combustible, falla de la bomba de combustible, falla de encendido, válvulas atascadas, etc.	Comuníquese con el servicio al cliente de Westinghouse sin cargo al 1 (855) 944-3571.
No hay energía en los receptáculos de CA	El LED OUTPUT READY está APAGADO y el LED DE SOBRECARGA está ENCENDIDO.	Verifique la carga de CA. Detenga y reinicie el motor. Verifique la entrada de aire. Detenga y vuelva a arrancar el motor.
	Se dispararon los disyuntores de CA.	Verifique las cargas de CA y restablezca los disyuntores.
	Herramienta o aparato eléctrico defectuoso.	Reemplace o repare la herramienta o el electrodoméstico. Detenga y vuelva a arrancar el motor.
	Generador defectuoso.	Comuníquese con el servicio al cliente de Westinghouse sin cargo al 1 (855) 944-3571.

FRANÇAIS

# WGen7500c

## Génératrice Portative

Puissance d'opération 7500 Watts | Puissance de pointe 9500 Watts

### MANUEL DE L'UTILISATEUR

#### NE PAS RETOURNER CE PRODUIT AU MAGASIN

Si vous avez des questions ou avez besoin d'aide,  
veuillez appeler le service client au 855-944-3571.

#### TABLE DES MATIÈRES

##### INTRODUCTION

AVIS DE NON-RESPONSABILITÉ .....63

##### CARACTÉRISTIQUES

CARACTÉRISTIQUES.....64

MISES À JOUR.....64

##### SÉCURITÉ

DÉFINITIONS DE SÉCURITÉ .....65

SYMBOLES DE SÉCURITÉ .....65

CONSIGNES DE SÉCURITÉ .....66

PRÉCAUTIONS GÉNÉRALES DE SÉCURITÉ .....67

ESSENCE ET VAPEUR D'ESSENCE (GAZ).....68

GFCI.....68

ÉTIQUETTES ET AUTOCOLLANTS DE SÉCURITÉ .....69

CAPTEUR CO.....70

##### FONCTIONNALITÉS

COMPOSANTS DU PANNEAU DE COMMANDE.....71

COMPOSANTS DU GÉNÉRATEUR.....72

##### ASSEMBLÉ

INSTALLER LES PIEDS ET LES ROUES.....73

CARBURANT .....74

REPLIR LE RÉSERVOIR DE CARBURANT .....75

CONNECTEZ LA BATTERIE .....75

##### OPÉRATION

EMPLACEMENT DU GÉNÉRATEUR.....76

MISE À LA TERRE MISE À LA TERRE .....76

FONCTIONNEMENT À HAUTE ALTITUDE.....77

DÉMARRAGE À DISTANCE.....77

PÉRIODE DE RODAGE .....78

AVANT DE DÉMARRER LE GÉNÉRATEUR .....78

DÉMARRAGE DU MOTEUR .....78

ARRÊT DU MOTEUR .....78

FRÉQUENCE D'UTILISATION .....79

DISJONCTEURS AC .....79

CAPACITÉ DU GÉNÉRATEUR.....79

GESTION DE L'ALIMENTATION .....80

RALLONGES .....80

DIMENSIONS DU CORDON D'EXTENSION .....81

INTERRUPTEUR ST.....81

TRANSPORT .....81

##### MAINTENANCE

CALENDRIER DE MAINTENANCE.....82

RAPPELS D'ENTRETIEN .....82

PIÈCES DE RECHANGE D'ENTRETIEN .....82

ENTRETIEN DU FILTRE À AIR .....82

CONTRÔLE DU NIVEAU D'HUILE MOTEUR .....83

CHANGEMENT D'HUILE MOTEUR .....84

MAINTENANCE DES BOUGIES .....84

SERVICE DE PARE-ÉTINCELLES.....85

ENTRETIEN DE LA SOUPAPE DE CARBURANT .....85

ENTRETIEN DE LA BATTERIE .....85

REMPLACEMENT DE LA BATTERIE .....85

ESPACE DE RANGEMENT .....86

LE JEU DES SOUPAPES .....87

##### DÉPANNAGE

DÉPANNAGE .....88

# INTRODUCTION


## INTRODUCTION

**⚠ MISE EN GARDE:** L'utilisation, l'entretien et la maintenance de cet équipement peuvent vous exposer à des produits chimiques, notamment les gaz d'échappement du moteur, le monoxyde de carbone, les phtalates et le plomb, qui sont connus dans l'État de Californie pour provoquer le cancer et des anomalies congénitales ou d'autres troubles de la reproduction. Pour minimiser l'exposition, évitez de respirer les gaz d'échappement et portez des gants ou lavez-vous les mains fréquemment lors de l'entretien de cet équipement. Pour plus d'informations, visitez le site [www.P65warnings.ca.gov](http://www.P65warnings.ca.gov).

## AVIS DE NON-RESPONSABILITÉ

Toutes les informations, illustrations et spécifications de ce manuel étaient en vigueur au moment de sa publication. Les illustrations utilisées dans ce manuel sont uniquement destinées à être des vues de référence représentatives. Nous nous réservons le droit d'apporter toute spécification ou modification de conception sans préavis.

Tous les droits sont réservés. Aucune reproduction autorisée sous quelque forme que ce soit sans l'autorisation écrite de Westinghouse Outdoor Power Equipment, LLC.

<b>⚠ DANGER</b>	
	Lisez ce manuel avant d'utiliser ou d'effectuer des opérations de maintenance sur ce produit. Le non-respect des instructions et des précautions de sécurité de ce manuel peut entraîner des blessures graves ou la mort.

## CONSERVEZ CES INSTRUCTIONS

### ENREGISTREMENT DU PRODUIT

Pour une couverture de garantie sans problème, il est important d'enregistrer votre génératrice Westinghouse.

Vous pouvez vous inscrire par:

- Remplir et envoyer par la poste la carte d'enregistrement du produit incluse dans le carton.
- Enregistrement de votre produit en ligne sur: <https://westinghouseoutdoorpower.com/pages/warranty-registration>
- Scanner le code QR suivant avec l'appareil photo de votre smartphone. Vous serez dirigé vers le lien d'inscription mobile.



- Envoi des informations produit suivantes à:

Westinghouse Outdoor Power  
Warranty registration  
777 Manor Park Drive  
Columbus, OH 43228

### Pour vos dossiers

Date d'achat: \_\_\_\_\_

Numéro de modèle: \_\_\_\_\_

Numéro de série: \_\_\_\_\_

Lieu d'achat: \_\_\_\_\_

**IMPORTANT:** Conservez votre reçu d'achat pour une couverture de garantie sans problème.

# CARACTÉRISTIQUES

## CARACTÉRISTIQUES

Caractéristiques	
Watts courants:	7500
Watts de pointe:	9500
Puissance nominale à 1,0 facteur de puissance:	7.5 kW
Puissance de crête:	9.5 kVA
Tension nominale:	120/240V
Fréquence nominale:	60 Hz @ 3600 RPM
Phase:	Monophasé
Distorsion harmonique totale:	≤ 23%
Déplacement du moteur:	420 cc
Type de départ:	Recul, démarrage électrique, télécommande
Capacité de carburant:	6.6 Gallons (25 Litres)
Type de carburant:	Essence sans plomb 87–93 octane*
Capacité d'huile:	1.16 US Quart (1.1 Litres)
Type d'huile:	SAE 10W-30
Bougie d'allumage:	91708 (F7TC)
Ecartement électrode bougie:	0.024 – 0.032 in. (0.60 – 0.80 mm)
Admission de valve Dégagement:	0.0031 – 0.0047 in. (0.08 – 0.12 mm)
Échappement de soupape Dégagement:	0.0051 – 0.0067 in. (0.13 – 0.17 mm)
Système de mise à la terre AC:	Neutre collé au cadre
Régulateur de tension:	Numérique
Type d'alternateur:	Brossé
Température ambiante maximale:	104°F (40°C)
Certifications:	<ul style="list-style-type: none"><li>• EPA</li><li>• CARB</li></ul>

\* Teneur en éthanol de 10% ou moins. N'utilisez PAS E15 ou E85.

## AVIS

Ce produit est conçu et conçu pour un fonctionnement continu à des températures ambiantes allant jusqu'à 40 ° C (104 ° F). Si nécessaire, ce produit peut être utilisé à des températures allant de 5 ° F (15 ° C) à 122 ° F (50 ° C) pendant de courtes périodes. Si le produit est exposé à des températures en dehors de cette plage pendant le stockage, il doit être ramené dans cette plage avant utilisation. Ce produit doit toujours être utilisé à l'extérieur dans un endroit bien ventilé et loin des portes, fenêtres et autres événements.

La puissance et le courant maximum sont soumis et limités par des facteurs tels que la teneur en BTU de carburant, la température ambiante, l'altitude, les conditions du moteur, etc. La puissance maximale diminue d'environ 3,5% pour chaque 1000 pieds au-dessus du niveau de la mer, et diminuera également d'environ 1% pour chaque 10 ° F (6 ° C) au-dessus de la température ambiante de 60 ° F (16 ° C).

## MISES À JOUR

Le dernier manuel d'utilisation de votre générateur Westinghouse se trouve sous notre onglet d'assistance. <https://westinghouseoutdoorpower.com/pages/manuals>

Ou scannez le code QR suivant avec l'appareil photo de votre smartphone pour être dirigé vers le lien.





## SÉCURITÉ

### DÉFINITIONS DE SÉCURITÉ

Les mots DANGER, AVERTISSEMENT, ATTENTION et AVIS sont utilisés tout au long de ce manuel pour mettre en évidence des informations importantes. Assurez-vous que la signification de ces informations de sécurité est connue de tous ceux qui utilisent, effectuent des travaux de maintenance ou se trouvent à proximité du générateur.



Ce symbole d'alerte de sécurité apparaît avec la plupart des déclarations de sécurité. Il signifie attention, devenez alerte, votre la sécurité est en jeu! Veuillez lire et respecter le message qui suit le symbo d'alertes de sécuritél.

#### ▲ DANGER

Indique une situation dangereuse qui, si elle n'est pas évitée, entraînera la mort ou des blessures graves.

#### ▲ AVERTISSEMENT

Indique une situation dangereuse qui, si elle n'est pas évitée, pourrait entraîner la mort ou des blessures graves.

#### ▲ MISE EN GARDE

Indique une situation dangereuse qui, si elle n'est pas évitée, pourrait entraîner des blessures mineures ou modérées.

#### AVIS

Indique une situation qui peut endommager le générateur, les biens personnels et / ou l'environnement, ou entraîner un mauvais fonctionnement de l'équipement.

**Remarque:** Indique une procédure, une pratique ou une condition à suivre pour que le générateur fonctionne de la manière prévue.

### SYMBOLES DE SÉCURITÉ

Suivez toutes les informations de sécurité contenues dans ce manuel et sur le générateur.

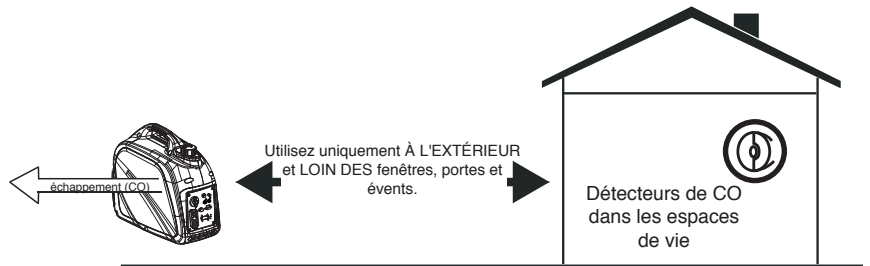
Symbole	La description
	Symbole d'alerte de sécurité
	Risque d'électrocution
	Risque d'asphyxie
	Risque de brûlure. Ne touchez pas les surfaces chaudes.
	Risque d'électrocution
	Risque d'incendie
	Maintenez une distance de sécurité
	Risque de levage
	Lire les instructions du fabricant
	Ne pas utiliser dans des conditions humides
	Suelo. Consulte con un electricista para determinar los requisitos de conexión a tierra antes de la operación.

# SÉCURITÉ

## CONSIGNES DE SÉCURITÉ

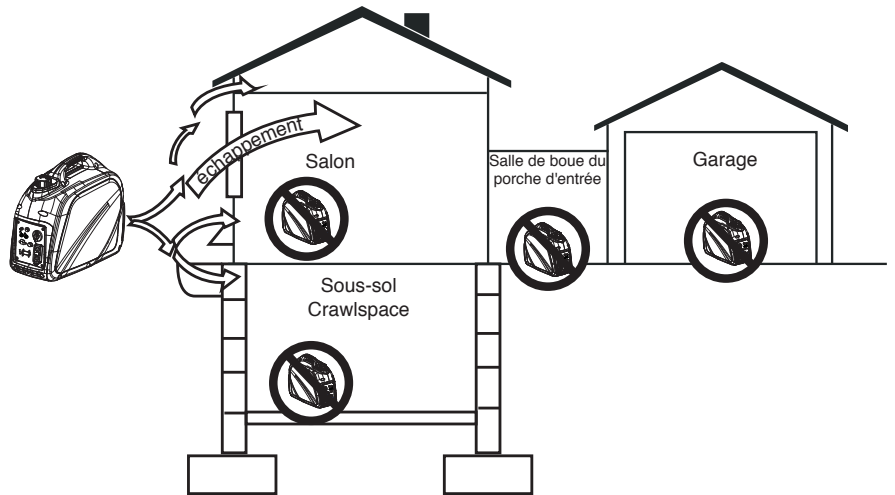
### USAGE CORRECT

- Exemple d'emplacement pour réduire le risque d'intoxication au monoxyde de carbone
- Utilisez **UNIQUEMENT** à l'extérieur et sous le vent, loin des fenêtres, des portes et des événements.
- Échappez directement des espaces occupés



### UTILISATION INCORRECTE

- N'utilisez pas dans l'un des endroits suivants:
- Près de n'importe quelle porte, fenêtre ou évent
  - Garage
  - Sous-sol
  - Espace d'exploration
  - Salon
  - Grenier
  - Voie d'entrée
  - Porche
  - Vestiaire



### AVIS

Installez des détecteurs de monoxyde de carbone à piles ou des détecteurs de monoxyde de carbone enfichables avec pile de secours dans les pièces à vivre.

### ⚠ DANGER

L'utilisation d'un générateur à l'intérieur PEUT VOUS TUER EN QUELQUES MINUTES.  
L'échappement du générateur contient du monoxyde de carbone. C'est un poison que vous ne pouvez ni voir ni sentir.



NE JAMAIS utiliser à l'intérieur d'une maison ou d'un garage, MÊME SI les portes et fenêtres sont ouvertes.



Utilisez uniquement À L'EXTÉRIEUR et loin des fenêtres, des portes et des événements.

### ⚠ DANGER

Risque d'incendie et d'électrocution. Ne pas connecter au système électrique d'un bâtiment à moins que le générateur et le commutateur de transfert n'aient été correctement installés et que la sortie électrique ait été vérifiée par un électricien qualifié. La connexion doit isoler l'alimentation du générateur de l'alimentation secteur et doit être conforme à toutes les lois et codes électriques applicables.

### ⚠ DANGER

Risque d'électrocution. N'utilisez jamais le générateur dans un endroit mouillé ou humide. N'exposez jamais le générateur à la pluie, à la neige, aux projections d'eau ou à l'eau stagnante pendant son utilisation. Protégez le générateur de toutes les conditions météorologiques dangereuses. L'humidité ou la glace peuvent provoquer un court-circuit ou un autre dysfonctionnement dans le circuit électrique.

## PRÉCAUTIONS GÉNÉRALES DE SÉCURITÉ

- Un commutateur de transfert doit être installé par un électricien agréé approuvé par l'autorité compétente. L'installation doit être conforme à toutes les lois et codes électriques applicables.
- N'utilisez jamais le générateur pour alimenter du matériel médical.
- N'utilisez pas le générateur lorsque vous êtes fatigué ou sous l'influence de drogues, d'alcool ou de médicaments.
- N'utilisez pas le générateur avec des cordons électriques usés, effilochés, dénudés ou autrement endommagés.
- Tous les outils et appareils électriques alimentés par ce générateur doivent être correctement mis à la terre à l'aide d'un troisième fil ou être à double isolation.
- Lorsque ce générateur est utilisé pour alimenter un système de câblage de bâtiment, le générateur doit être installé par un électricien qualifié et connecté à un commutateur de transfert en tant que système dérivé séparément conformément à NFPA 70, National Electrical Code.
- Si vous commencez à vous sentir malade, étourdi ou faible en utilisant le générateur, passez IMMÉDIATEMENT à l'air frais. Consultez un médecin, car vous pouvez avoir une intoxication au monoxyde de carbone.
- Utilisez uniquement À L'EXTÉRIEUR et loin des fenêtres, des portes et des événements, comme recommandé par le Département américain de la Santé et les Centres des services sociaux pour le contrôle et la prévention des maladies. Votre domicile et / ou vos conditions de vent spécifiques peuvent nécessiter une distance supplémentaire.
- Pendant le fonctionnement et le stockage, gardez au moins 5 pieds de dégagement de tous les côtés du générateur, y compris les frais généraux. Laissez le générateur refroidir au moins 30 minutes avant de le ranger. La chaleur créée par le silencieux et les gaz d'échappement peut être suffisamment chaude pour provoquer de graves brûlures et / ou enflammer des objets combustibles.
- Ne touchez ni le silencieux ni le moteur. Ils sont très CHAUDS et provoqueront de graves brûlures. Ne placez pas de parties du corps ou de matériaux inflammables ou combustibles sur le chemin direct de l'échappement.
- Retirez toujours tous les outils ou autres équipements de service utilisés pendant la maintenance loin du générateur avant de l'utiliser.
- Évitez tout contact cutané avec l'huile moteur ou l'essence. Portez des vêtements et des équipements de protection. Laver toute la peau exposée avec du savon et de l'eau.

- Un commutateur de transfert doit être installé par un électricien agréé approuvé par l'autorité compétente. L'installation doit être conforme à toutes les lois et codes électriques applicables.

## SÉCURITÉ DU CARBURANT

- Stockez le carburant dans un contenant approuvé pour l'essence.
- Ne pas fumer lors du remplissage du générateur avec de l'essence.
- Ne laissez pas le réservoir d'essence du générateur déborder lors du remplissage.
- Arrêtez le moteur et laissez-le refroidir pendant cinq minutes avant d'ajouter de l'essence ou de l'huile au générateur.
- Ne retirez jamais le bouchon du réservoir lorsque le générateur est en marche. Arrêtez le moteur et laissez l'appareil refroidir pendant au moins cinq minutes. Retirez lentement le bouchon du réservoir pour relâcher la pression, empêcher le carburant de s'échapper autour du bouchon et éviter que la chaleur du silencieux ne déclenche les vapeurs de carburant. Serrez fermement le bouchon du réservoir après avoir fait le plein.
- Essuyez le carburant renversé de l'unité.
- N'essayez jamais de brûler du carburant renversé.
- Ne remplissez jamais trop le réservoir de carburant. Laissez de la place pour que le carburant se dilate. Un remplissage excessif du réservoir de carburant peut entraîner un débordement soudain d'essence et entraîner le déversement d'essence en contact avec des surfaces CHAUDES.
- Le carburant renversé peut s'enflammer. Si du carburant est renversé sur le générateur, essuyez immédiatement tout déversement. Jetez le chiffon correctement. Laissez sécher la zone de carburant renversé avant de faire fonctionner le générateur.
- Portez des lunettes de protection lors du ravitaillement.
- N'utilisez jamais d'essence comme agent de nettoyage.
- Entrez tout contenant contenant de l'essence dans un endroit bien ventilé, loin de tout combustible ou source d'inflammation.

# SÉCURITÉ

## ESSENCE ET VAPEUR D'ESSENCE (GAZ)

### ⚠ DANGER

Risque d'incendie et d'explosion. L'essence est hautement explosive et inflammable et peut causer de graves brûlures ou la mort.

- En cas d'incendie au gaz, n'essayez pas d'éteindre la flamme si le robinet de carburant est en position gaz. L'introduction d'un extincteur dans une génératrice avec un robinet de carburant ouvert pourrait créer un risque d'explosion.
- Le gaz a une odeur distinctive, cela aidera à détecter rapidement les fuites potentielles.
- Les vapeurs de gaz peuvent provoquer un incendie si elles sont enflammées.
- L'essence est un irritant pour la peau et doit être nettoyée immédiatement si elle entre en contact avec la peau.

### Lors du démarrage du générateur:

- Assurez-vous que le bouchon de carburant, le filtre à air, la bougie d'allumage, les conduites de carburant et le système d'échappement sont correctement en place.
- Si vous renversez de l'essence sur le réservoir, laissez-le s'évaporer complètement avant de l'utiliser.
- Assurez-vous que le générateur est sur une surface plane avant de l'utiliser.

### Lors du transport ou de l'entretien du générateur:

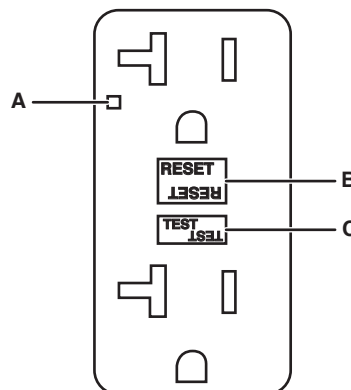
- Disconnect the spark plug wire to prevent accidental starting.

### Lors du stockage du générateur:

- Stocker à l'écart des étincelles, des flammes nues, des veilleuses, de la chaleur et de toute autre source d'inflammation.
- Ne stockez pas de gaz à proximité de fournaies, de chauffe-eau ou de tout autre appareil produisant de la chaleur ou à allumage automatique.

## GFCI

Le générateur est équipé de prises de disjoncteur de fuite à la terre (GFCI). En cas de défaut à la terre, un GFCI se déclenche automatiquement pour arrêter le flux d'électricité et éviter des blessures graves. Le voyant lumineux vert (A) de la prise s'éteint également. Appuyez sur le bouton «RESET» (B) situé à l'avant du réceptacle pour rétablir le flux d'électricité. Le voyant lumineux se rallumera. GFCI ne protège pas contre les surcharges de circuit.



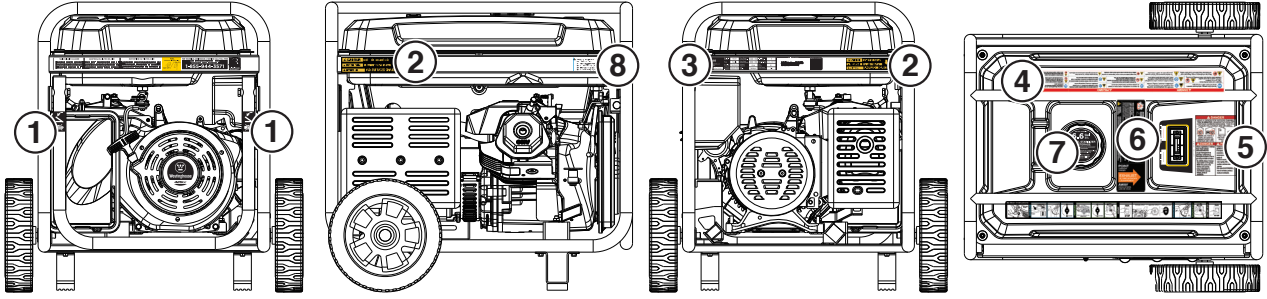
Pour vérifier le bon fonctionnement d'une prise GFCI:

1. Avec le générateur en marche, branchez une lampe dans la prise GFCI. Allumez la lampe.
2. Appuyez sur le bouton «TEST» (C) situé à l'avant du réceptacle pour déclencher l'appareil. Cela devrait immédiatement arrêter le flux d'électricité et éteindre la lampe. Si l'électricité n'est pas interrompue, n'utilisez pas cette prise tant qu'elle n'a pas été réparée ou remplacée.
3. Appuyez sur le bouton «RESET» situé à l'avant du réceptacle pour rétablir le flux d'électricité. Si le voyant ne se rallume pas ou si le GFCI ne peut pas être réinitialisé, il doit être remplacé.

## AVIS

Certains moteurs fixes, comme un ventilateur de salle de bain, des appareils d'éclairage fluorescents ou certains réfrigérateurs, peuvent produire une fuite de courant suffisante pour provoquer des déclenchements intempestifs. Pour éviter les déclenchements intempestifs, un DDFT ne doit pas fournir: des appareils d'éclairage fluorescents ou d'autres types d'appareils d'éclairage à décharge électrique ou des moteurs électriques installés en permanence, comme des climatiseurs, des fours ou des réfrigérateurs.

## ÉTIQUETTES ET AUTOCOLLANTS DE SÉCURITÉ



<b>4</b>	<b>⚠ DANGER</b>	<b>⚠ PELIGRO</b>	<b>⚠ DANGER</b>
<p>Failure to follow warnings, instructions and operator's manual will result in death or serious injury.</p> <p>Generator could cause electrical shock.</p> <ul style="list-style-type: none"> <li>• ONLY use in dry conditions.</li> <li>• DO NOT operate in rain or wet weather.</li> <li>• A transfer switch must be used when connecting to a building.</li> </ul> <p>Never fuel unit with engine running. Always fuel in well ventilated area. Always allow unit to cool before fueling.</p>	<p>Hot muffler and exhaust gases can cause fires. Keep at least 5ft. (1.5 m) clearance from any combustibles or structures, including overhead.</p> <p>Exhaust contains poisonous carbon monoxide gas that can cause unconsciousness or DEATH. Install Carbon Monoxide alarm inside home.</p> <p>For electrical equipment only. Failure to properly ground generator can result in electrocution.</p>	<p>No obedezca las advertencias e instrucciones y el manual del operador provocará lesiones graves o la muerte.</p> <p>El generador podría causar una descarga eléctrica.</p> <ul style="list-style-type: none"> <li>• No opere en condiciones para estar condiciones de humedad.</li> <li>• No opere en lluvia ni en clima húmedo.</li> <li>• No conecte el generador eléctrico de un casa.</li> </ul> <p>Nunca reponga el nivel del motor en marcha. Carga siempre en un área bien ventilada. Siempre deje que la unidad se enfríe antes de cargar combustible.</p>	<p>Le non-respect des avertissements, des instructions et du manuel de l'utilisateur entraînera la mort ou des blessures graves.</p> <p>Les gazes calientes de l'échappement peuvent provoquer des incendies. Gardez un écartement d'au moins 1,5 m de tout combustible ou structure, y compris des toits, plafonds, etc.</p> <p>Le générateur pourrait provoquer un choc électrique.</p> <ul style="list-style-type: none"> <li>• Ne réopérez que dans des conditions sèches.</li> <li>• Ne réopérez pas sous la pluie ou par temps humide.</li> <li>• Ne réopérez pas dans un bâtiment.</li> <li>• Ne réopérez pas sans un système électrique d'un bâtiment.</li> </ul> <p>Ne faites jamais de carburant avec le moteur en marche. Faites toujours le plein dans un endroit bien ventilé. Laissez toujours l'appareil refroidir avant de le remplir.</p>

<b>3</b>	<b>Westinghouse</b>	Rev. Level / Révision	Power (Rated) / Pissance (Nom.)	Insul Class / Classe D'isol.	Serial No./No. De Série	Register your product:
		Phase	Power (Peak) / Pissance (Pointe)	Max Amb Temp / Temp. Amb. Max		
		AC Voltage / Tension CA	Frequency / Fréquence	Duty Service / Facteur de puissance		
		AC Current / Intensité CA	RPM / TR/MIN			
Westinghouse Outdoor Power Equipment, LLC Columbus Ohio 43228 USA					<b>Serial Number</b> <b>Numero de serie</b> <b>Numéro de série</b>	

**⚠ DANGER**

**USING A GENERATOR INDOORS CAN KILL YOU IN MINUTES. GENERATOR EXHAUST CONTAINS CARBON MONOXIDE. THIS IS A POISON YOU CANNOT SEE OR SMELL.**

**NEVER USE INSIDE A HOME OR GARAGE, EVEN IF DOORS AND WINDOWS ARE OPEN.**

**⚠ DANGER**

Utiliser un générateur à l'intérieur PEUT VOUS TUER EN QUELQUES MINUTES. Les gaz d'échappement du générateur contiennent du monoxyde de carbone. C'est un gaz toxique invisible et inodore.

**NE JAMAIS utiliser à l'intérieur d'une maison ou d'un garage, MÊME SI les portes et les fenêtres sont ouvertes.**

Utiliser UNIQUEMENT à l'EXTÉRIEUR et bien des fenêtres, portes et ventilations.

**ONLY USE OUTSIDE AND FAR AWAY FROM WINDOWS, DOORS, AND VENTS.**

**⚠ PELIGRO**

Si usa un generador en interiores MORRÁ EN POCOS MINUTOS. El escape del generador contiene monóxido de carbono. Es un veneno que no tiene olor ni se puede ver.

**NUNCA lo use dentro de una casa o garage, AUN si las puertas y ventanas están abiertas.**

Solo úsalo EN EXTERIORES y lejos de ventanas, puertas y ductos de ventilación.

**⚠ ACTION LABEL**

**AUTOMATIC SHUTOFF - YOU MUST: ETIQUETA DE FUNCIONAMIENTO: ETIQUETA DE ACCIÓN:**

**• MOVE GENERATOR TO AN OPEN, OUTDOOR AREA.**

**• POINT EXHAUST AWAY.**

**• DON'T RUN GENERATOR IN ENCLOSED AREAS (E.G. NOT IN HOUSE OR GARAGE).**

**• ORIENTAR EL TUBO DE ESCAPE HACIA AFUERA**

**• NO ACTIVAR EL GENERADOR EN ÁREAS CERRADAS (P. EJ. EN UNA CASA O GARAJE)**

**• DEPLACER LA GÉNÉRATRICE DANS UN ESPACE EXTÉRIEUR OUVERT**

**• ORIENTER L'ÉCHAPPEMENT LOIN DE VOUS**

**• NE PAS FAIRE FONCTIONNER LA GÉNÉRATRICE DANS DES ENDROITS FERMÉS (COMME DANS LA MAISON OU LE GARAGE)**

**• MOVE TO FRESH AIR.**

**• GET MEDICAL HELP IF SICK, DIZZY OR WEAK.**

**• MOVER AL AIRE LIBRE**

**• OBTENER ATENCIÓN MÉDICA SI SE SIENTE ENFERMO, MAREADO O DÉBIL**

**• VOUS RETIENIR À L'AIR FRAIS**

**• CONSULTER UN MÉDECIN SI VOUS ÊTES MALADE, ÉTOURDI OU FAIBLE**

**POINT ORIENTAR DIRIGIR**

**EXHAUST EL TUBO DE ESCAPE L'ÉCHAPPEMENT**

**AWAY HACIA AFUERA LOIN DE VOUS**

**⚠ WARNING: Cancer and reproductive harm - www.P65Warnings.ca.gov/product**

**⚠ AVERTISSEMENT: Cancer et problèmes de reproduction - www.P65Warnings.ca.gov/product**

**⚠ ADVERTENCIA: Cáncer y daños al sistema reproductor - www.P65Warnings.ca.gov/product**

**⚠ CAUTION HOT SURFACES**

**⚠ PRECAUCIÓN SUPERFICIES CALIENTES**

**⚠ ATTENTION AUX SURFACES CHAUDES**



**DO NOT OVERFILL**

**6.6 Gal 25L**

**USE FUEL STABILIZER FOR STORAGE**

UTILISEZ UN STABILISATEUR DE CARBURANT POUR LE STOCKAGE

EL USO DEL ESTABILIZADOR DE COMBUSTIBLE PARA EL ALMACENAMIENTO

87 MINIMUM OCTANE  
87 OCTANO MINIMUM  
87 OCTANO MINIMO

# SÉCURITÉ

## CAPTEUR CO

Le capteur de CO surveille l'accumulation de monoxyde de carbone toxique autour du générateur lorsque le moteur tourne. Si des niveaux croissants de gaz CO sont détectés, le capteur de CO arrête automatiquement le moteur.

Le capteur de CO détectera également l'accumulation de monoxyde de carbone provenant d'autres sources de combustion de carburant utilisées dans la zone d'opération. Par exemple, si l'échappement des outils à combustible est dirigé vers un générateur équipé d'un capteur de CO, un arrêt peut être déclenché en raison de l'augmentation des niveaux de CO. Ce n'est pas une erreur. Du monoxyde de carbone dangereux a été détecté. Déplacez et redirigez toutes les sources de carburant supplémentaires pour dissiper le monoxyde de carbone loin du personnel et des bâtiments occupés.


**Remarque:** Les générateurs équipés d'un démarrage à distance doivent être redémarrés avec le bouton START / STOP sur le panneau de commande après un arrêt automatique.

Les générateurs sont destinés à être utilisés à l'extérieur, loin des bâtiments occupés et l'échappement dirigé loin du personnel et des bâtiments. S'il est mal utilisé et utilisé dans un endroit qui entraîne une accumulation de CO, comme dans une zone partiellement fermée, le capteur de CO arrête le moteur, avertit l'utilisateur avec un voyant rouge et ordonne à l'utilisateur de lire l'étiquette d'action pour les étapes. prendre. Le capteur de CO NE remplace PAS les avertisseurs de monoxyde de carbone. Installez des avertisseurs de monoxyde de carbone à piles dans votre maison.

**⚠ AVERTISSEMENT**

L'arrêt automatique accompagné d'un voyant ROUGE clignotant dans la partie du capteur de CO du panneau de commande indique que le générateur était mal localisé. Si vous commencez à vous sentir malade, étourdi, faible ou que les détecteurs de monoxyde de carbone dans votre maison indiquent une alarme, mettez-vous immédiatement à l'air frais. Appelez les services d'urgence. Vous pouvez avoir une intoxication au monoxyde de carbone.

## ÉTIQUETTE D'ACTION

<p><b>ACTION LABEL</b></p> <p>ETIQUETA DE FUNCIONAMIENTO ÉTIQUETTE D'ACTION</p> <p><b>• MOVE GENERATOR TO AN OPEN, OUTDOOR AREA.</b>  <b>• POINT EXHAUST AWAY.</b>  <b>• DON'T RUN GENERATOR IN ENCLOSED AREAS (E.G. NOT IN HOUSE OR GARAGE).</b></p> <p>• MOVER EL GENERADOR A UN ÁREA ABIERTA, EN EXTERIORES          • ORIENTAR EL TUBO DE ESCAPE HACIA AFUERA          • NO ACTIVAR EL GENERADOR EN ÁREAS CERRADAS (P. E.J.: EN UNA CASA O GARAJE)          • DEPLACER LA GÉNÉRATRICE DANS UN ESPACE EXTÉRIEUR OUVERT          • DIRIGER L'ÉCHAPPEMENT LOIN DE VOUS          • NE PAS FAIRE FONCTIONNER LA GÉNÉRATRICE DANS DES ENDROITS FERMÉS (COMME DANS LA MAISON OU LE GARAGE)</p> <p><b>⚠ WARNING</b>  <b>ADVERTENCIA</b>  <b>AVERTISSEMENT</b></p>	<p><b>AUTOMATIC SHUTOFF - YOU MUST:</b>  <b>ETIQUETA DE FUNCIONAMIENTO:</b>  <b>ÉTIQUETTE D'ACTION:</b></p>  <p><b>• MOVE TO FRESH AIR.</b>  <b>• GET MEDICAL HELP IF SICK, DIZZY OR WEAK.</b></p> <p>• MOVER AL AIRE LIBRE          • OBTENER ATENCIÓN MÉDICA SI SE SIENTE ENFERMO, MAREADO O DÉBIL          • VOUS RETIRER A L'AIR FRAIS          • CONSULTER UN MÉDECIN SI VOUS ÊTES MALADE, ÉTOURDI OU FAIBLE</p>	<p><b>+</b></p> <p><b>POINT</b>          ORIENTAR          DIRIGIR</p> <p><b>EXHAUST</b>          EL TUBO DE ESCAPE          L'ÉCHAPPEMENT</p> <p><b>AWAY</b>          HACIA AFUERA          LOIN DE VOUS</p>
<p><b>TAMPERING WITH CARBON MONOXIDE SENSOR COULD RESULT IN HAZARDOUS CONDITION</b>          HACER ALTERACIONES CON SENSOR DE MONÓXIDO DE CARBONO PODRÍA OCASIONAR CONDICIONES PELIGROSAS          L'ALTÉRATION DE CAPTEUR DE MONOXYDE DE CARBONE PEUT ENTRAÎNER DES CONDITIONS DANGEREUSES</p>		

## ARRÊT AUTOMATIQUE CO DU PANNEAU DE COMMANDE

### CARBON MONOXIDE AUTO-SHUTOFF



**SERVICE GENERATOR**  
 REALICE UN SERVICIO  
 DEL GENERADOR

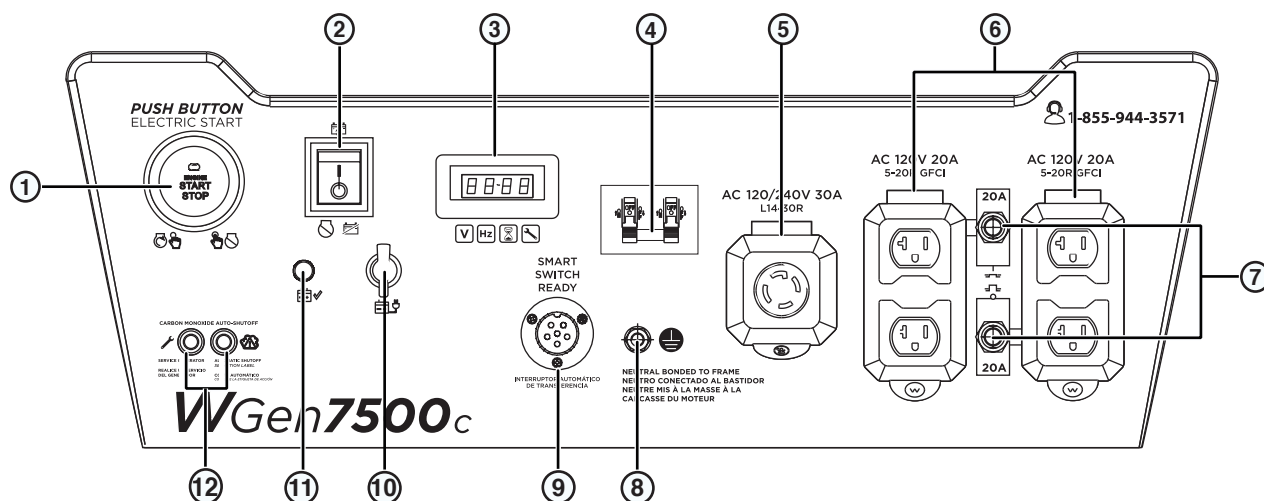
**AUTOMATIC SHUTOFF**  
 SEE MANUAL  
 CORTE AUTOMÁTICO  
 LEER EL MANUAL

## VOYANTS DU CAPTEUR DE CO

Color	Description
<b>ROUGE</b>	<p>Le monoxyde de carbone s'est accumulé autour du générateur. Après l'arrêt, le voyant lumineux ROUGE dans la zone du capteur de CO du panneau de commande clignotera pour indiquer que le générateur a été arrêté en raison d'un risque d'accumulation de CO. Le voyant ROUGE clignotera pendant au moins cinq minutes après un arrêt du CO.</p> <p>Déplacez le générateur vers une zone extérieure ouverte, loin des espaces occupés avec l'évacuation dirigée vers l'extérieur. Une fois déplacé dans une zone sûre, le générateur peut être redémarré. Introduisez de l'air frais et aérez la zone où le générateur s'était arrêté.</p>
<b>JAUNE</b>	<p>A CO sensor system fault occurred. When a system fault occurs, the generator is automatically shut down and the YELLOW indicator light in the CO auto-shutoff area of the control panel will flash to provide notification that the a fault has occurred. The YELLOW light will flash for at least five minutes after a fault. The generator can be re-started, but may continue to shutoff. A CO sensor fault can only be diagnosed and repaired by an authorized Westinghouse service center.</p>

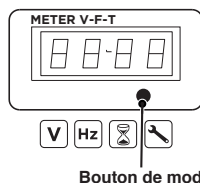
## FONCTIONNALITÉS

### COMPOSANTS DU PANNEAU DE COMMANDE



- Bouton-poussoir START / STOP:** Appuyez une fois pour démarrer automatiquement le moteur. Appuyez à nouveau pour arrêter le moteur.
- Commutateur de batterie:** allume et éteint la batterie. Doit être allumé avant le démarrage électrique ou à distance.
- Centre de données:** basculez pour afficher la tension, la fréquence, le compteur horaire total et le minuteur d'exécution / de maintenance
- Disjoncteur principal:** Le disjoncteur principal contrôle la sortie totale de toutes les prises pour protéger le générateur contre les surcharges ou les courts-circuits.
- Prise 120/240 volts CA, 30 A NEMA 14-30R Twist-Lock:** la prise peut fournir un maximum de 30 ampères.
- Prises GFCI NEMA 5-20R duplex 120 volts c.a., 20 ampères:** les prises peuvent fournir un maximum de 20 ampères.
- Prises GFCI NEMA 5-20R duplex 120 volts c.a., 20 ampères:** les prises peuvent fournir un maximum de 20 ampères.
- Disjoncteurs CA 20 A:** Les disjoncteurs limitent le courant qui peut être fourni par les prises NEMA 5-20R à 20 A.
- Borne de terre:** La borne de terre est utilisée pour mettre à la terre extérieurement le générateur.
- Prise pour interrupteur intelligent:** connecte l'interrupteur Westinghouse ST (vendu séparément) au panneau de commande.
- Port de chargement de la batterie:** utilisé pour charger la batterie avec le chargeur de batterie inclus.
- Indicateur de batterie:** indique que l'alimentation est allumée. La lumière restera allumée pendant que l'unité est allumée.
- Témoins lumineux du capteur de CO:** Le capteur de CO surveille l'accumulation de monoxyde de carbone toxique. Si des niveaux croissants de gaz CO sont détectés, le capteur de CO arrête automatiquement le moteur.

#### Affichage des données



Bouton de mode

**V 122**

**Tension:**  
Affiche la sortie de tension actuelle

**F-60**

**La fréquence (Hz):**  
Affiche la fréquence de sortie de puissance en Hertz

**0023**

**Heures de vie:**  
affiche les heures de fonctionnement à vie

**0000**

**Durée d'exécution / maintenance:**

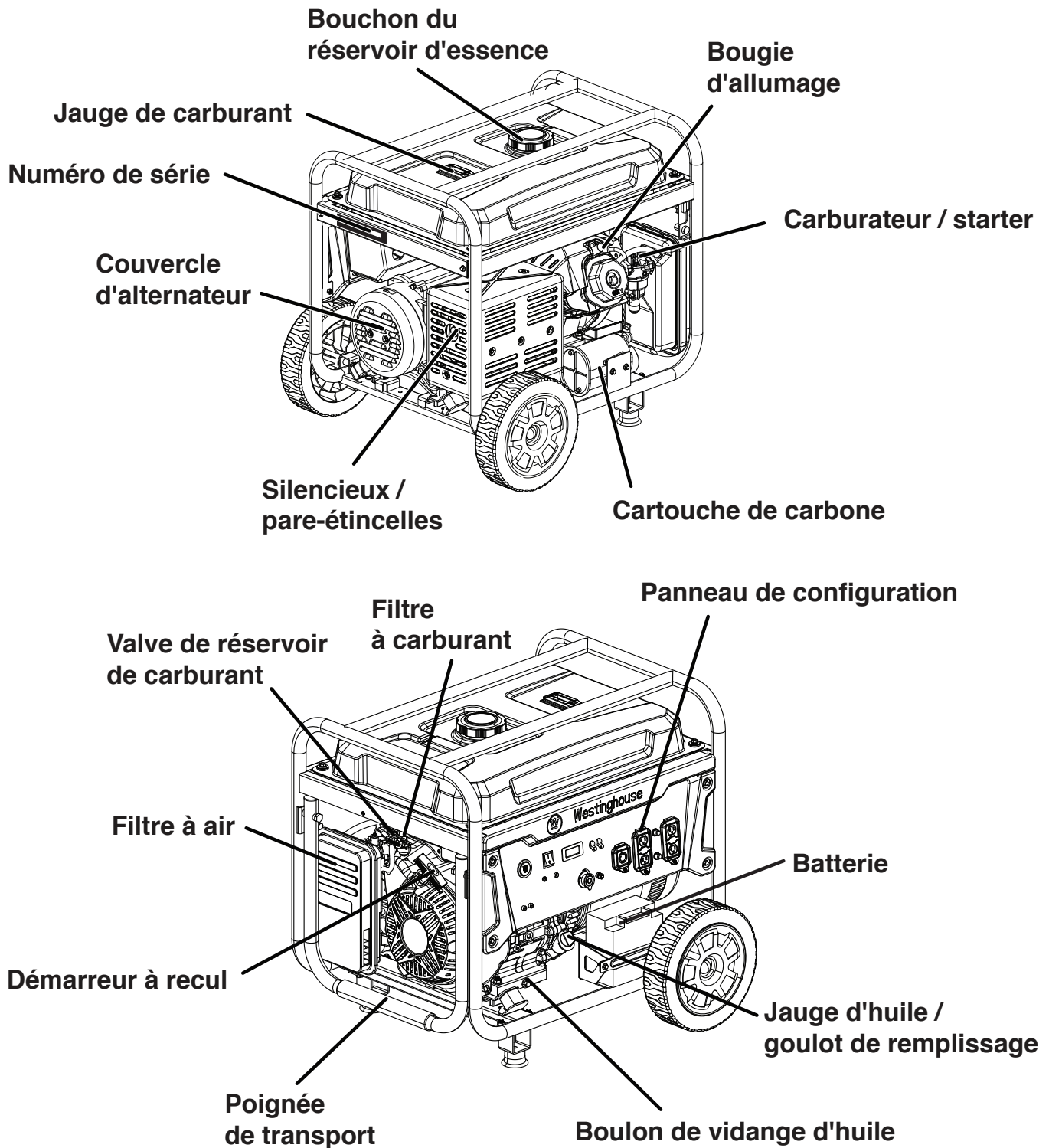
affiche le temps d'exécution actuel  
Réinitialise à zéro lors de l'arrêt  
Rappel de maintenance affiché si nécessaire.

#### Codes de maintenance:

P25: Changez l'huile du moteur  
P50: Filtre à air propre  
P100: Changez l'huile du moteur, Filtre à air propre, remplacer le filtre à carburant

# FONCTIONNALITÉS

## COMPOSANTS DU GÉNÉRATEUR





## ASSEMBLÉ

### CONTENU DU CARTON

#### ▲ MISE EN GARDE

Risque de poids. Ayez toujours de l'aide pour soulever le générateur.

1. Ouvrez soigneusement le carton.
2. Retirez et conservez le contenu du carton.
3. Retirez et jetez le plateau d'emballage.
4. Dépliez le haut du sac en plastique renfermant le générateur.
5. Coupez soigneusement les coins verticaux du carton pour accéder au générateur.
6. Recyclez ou éliminez correctement les matériaux d'emballage.

### CONTENU DU CARTON

- Manuel de l'Utilisateur
- Guide de démarrage rapide
- Porte-clés de démarrage à distance (attaché au démarreur à rappel)
- Bouteille d'huile SAE 10W-30
- Chargeur de batterie
- Clé à douille de bougie
- Entonnoir à huile
- Clé de montage
- Composants de la roue et du pied de montage

Article	Quantité
• Pied de montage	2
• Boulon de bride, M8	4
• Roue	2
• Axe axe	2
• Machine à laver	2
• goupille	2

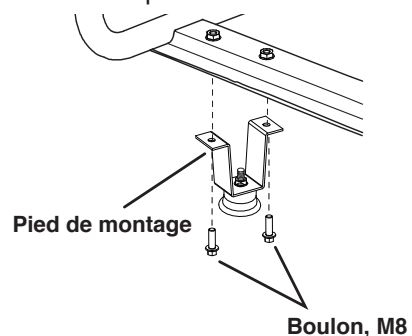
S'il manque des pièces, contactez notre équipe de service à [service@wpowereq.com](mailto:service@wpowereq.com) ou appelez le 1-855-944-3571.

## INSTALLER LES PIEDS ET LES ROUES

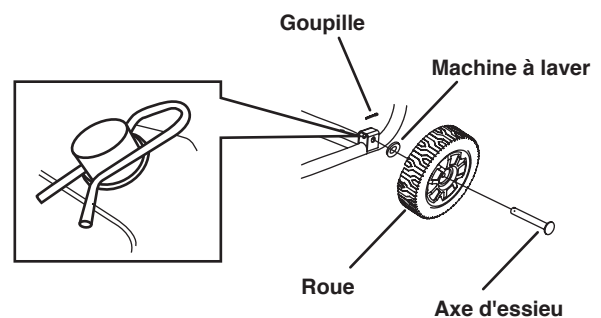
### AVIS

L'assemblage du générateur nécessitera de soulever l'unité d'un côté. Installez les pieds de montage et la roue avant d'ajouter du carburant ou de l'huile.

1. Placer le générateur sur une surface plane.
2. Basculez le générateur sur un morceau de carton ou un autre matériau souple pour protéger la peinture du cadre et empêcher le générateur de glisser.
3. Avec la clé fournie, installez les pieds de montage sur le cadre comme indiqué.



4. Installez les roues comme indiqué.



**Remarque:** Les roues sont uniquement destinées au transport manuel. Les roues ne sont pas adaptées au remorquage du générateur sur route ou hors route.

# ASSEMBLÉ

## REPLISSAGE D'HUILE INITIAL

### AVIS

CE GÉNÉRATEUR A ÉTÉ EXPÉDIÉ SANS HUILE. N'essayez pas de lancer ou de démarrer le moteur avant qu'il n'ait été correctement entretenu avec l'huile recommandée. Le fait de ne pas ajouter d'huile moteur avant le démarrage entraînera de graves dommages au moteur.

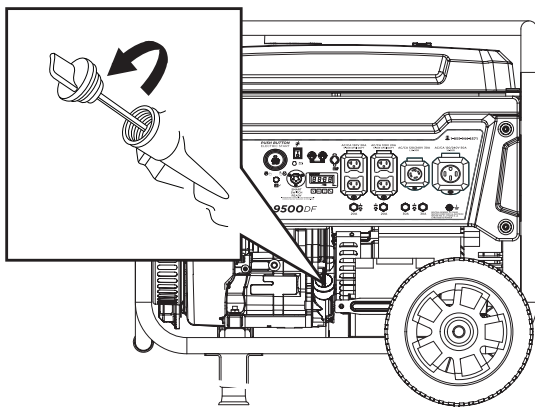
### AVIS

L'utilisation d'huile 2 temps / cycle ou d'autres types d'huile non approuvés peut causer de graves dommages au moteur qui ne sont pas couverts par la garantie.

Le type d'huile recommandé pour une utilisation typique est l'huile moteur 10W-30. Si vous utilisez le générateur à des températures extrêmes, reportez-vous au tableau suivant.

Type d'huile moteur recommandé	
	10W-30
5W-30	10W-40
5W-30 Synthétique	
°F	-20 0 20 40 60 80 100 120
°C	-28.9 -17.8 -6.7 4.4 15.6 26.7 37.8 48.9
Température ambiante	

1. Sur une surface plane, retirez la jauge d'huile.



2. À l'aide de l'entonnoir et de l'huile fournis, ajoutez de l'huile dans le goulot de remplissage d'huile.

**Remarque:** Comme de l'huile résiduelle de l'usine peut rester dans le moteur, ajoutez l'huile progressivement vers l'extrémité de la bouteille pour éviter de trop remplir le moteur. Voir Contrôle du niveau d'huile moteur dans la section Entretien.

3. Remplacez la jauge d'huile et serrez à la main.

## CARBURANT

### ⚠ AVERTISSEMENT

Risque d'incendie et d'explosion. N'utilisez jamais de bidon d'essence, de réservoir d'essence ou tout autre élément de carburant cassé, coupé, déchiré ou endommagé.

### ⚠ DANGER

Risque d'incendie et d'explosion. Ne remplissez pas trop le réservoir de carburant. Remplissez uniquement jusqu'à l'anneau de remplissage rouge situé dans le filtre à carburant dans le réservoir. Un remplissage excessif peut entraîner un déversement de carburant sur le moteur et provoquer un incendie ou une explosion.

### ⚠ DANGER

Risque d'incendie et d'explosion. Ne faites jamais le plein de la génératrice lorsque le moteur tourne. Arrêtez toujours le moteur et laissez le générateur refroidir pendant deux minutes avant de faire le plein.

### AVIS



N'utilisez pas de carburant E15 ou E85 dans ce produit. Les dommages au moteur ou à l'équipement causés par du carburant périmé ou par l'utilisation de carburants non approuvés (tels que les mélanges d'éthanol E15 ou E85) ne sont pas couverts par la garantie. N'utilisez que de l'essence sans plomb contenant jusqu'à 10% d'éthanol.

## BESOINS EN CARBURANT

- Essence sans plomb PROPRE, FRAÎCHE, 87–93 octane.
- Jusqu'à 10% d'éthanol (essence-alcool) est acceptable (le cas échéant; un carburant sans éthanol est recommandé).
- N'utilisez PAS E85 ou E15.
- NE PAS utiliser de mélange de gazole.
- NE PAS modifier le moteur pour qu'il fonctionne avec des carburants alternatifs.
- NE PAS faire le plein à l'intérieur.
- NE PAS créer d'étincelle ou de flamme pendant le ravitaillement.

## UTILISATION DU STABILISATEUR DE CARBURANT

L'ajout d'un stabilisateur de carburant (non inclus) prolonge la durée de vie utile du carburant et aide à empêcher la formation de dépôts qui peuvent obstruer le système de carburant. Suivez les instructions d'utilisation du fabricant.

Mélangez toujours la bonne quantité de stabilisateur de carburant à l'essence dans un bidon d'essence approuvé avant de faire le plein de la génératrice. Faites fonctionner le générateur pendant cinq minutes pour permettre au stabilisateur de traiter tout le système d'alimentation en carburant.

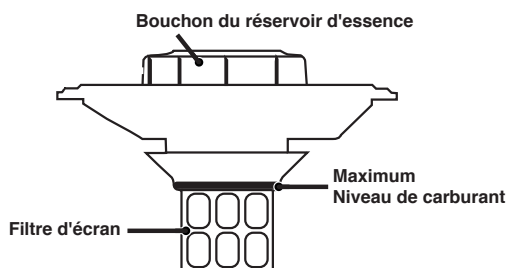
## REPLIR LE RÉSERVOIR DE CARBURANT

1. Éteignez le générateur et laissez-le refroidir pendant au moins deux minutes avant de faire le plein.
2. Placez le générateur sur un sol plat dans un endroit bien ventilé.
3. Nettoyez la zone autour du bouchon de carburant et retirez lentement le bouchon.

### AVIS

Ne remplissez le réservoir qu'à partir d'un bidon d'essence approuvé. Assurez-vous que le réservoir d'essence est propre et en bon état pour éviter la contamination du système d'alimentation en carburant.

4. Ajoutez lentement le carburant recommandé. Ne pas trop remplir. Remplissez uniquement jusqu'à l'anneau de remplissage maximum rouge sur le filtre à carburant visible dans le goulot de remplissage.



5. Installez la tapa de combustible. Apriete hasta que escuche un clic.

### AVIS

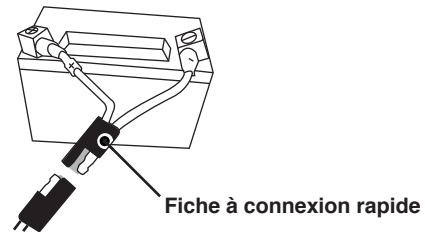
El combustible puede dañar la pintura y el plástico. Tenga cuidado al llenar el tanque de combustible. Los daños causados por el combustible derramado no están cubiertos por la garantía.

### AVIS

Limpe los residuos del filtro de malla de combustible antes y después de cada repostaje. Quite el filtro de malla de combustible comprimiéndolo ligeramente mientras lo saca del tanque de combustible.

## CONNECTEZ LA BATTERIE

Une prise de batterie à connexion rapide est préinstallée sur la batterie. Retirez l'attache-câble retenant les fiches, puis appuyez fermement pour les connecter.



**Remarque:** Le générateur est équipé d'une fonction de chargement de batterie. Une fois le moteur en marche, une petite charge rechargera lentement la batterie.

# OPÉRATION

## OPÉRATION

### EMPLACEMENT DU GÉNÉRATEUR

Lisez et comprenez toutes les informations de sécurité avant de démarrer le générateur.

#### **⚠ DANGER**

L'utilisation d'un générateur à l'intérieur PEUT VOUS TUER EN QUELQUES MINUTES.

L'échappement du générateur contient du monoxyde de carbone. C'est un poison que vous ne pouvez ni voir ni sentir.



NE JAMAIS utiliser à l'intérieur d'une maison ou d'un garage, MÊME SI les portes et fenêtres sont ouvertes.



Utilisez uniquement À L'EXTÉRIEUR et loin des fenêtres, des portes et des événements.

NE JAMAIS faire fonctionner la génératrice à l'intérieur d'un bâtiment, y compris les garages, les sous-sols, les vides sanitaires, les remises, l'enceinte ou le compartiment, y compris le compartiment de la génératrice d'un véhicule récréatif.

#### **⚠ DANGER**

Risque d'électrocution. N'utilisez jamais le générateur dans un endroit mouillé ou humide. N'exposez jamais le générateur à la pluie, à la neige, aux projections d'eau ou à l'eau stagnante pendant son utilisation. Protégez le générateur de toutes les conditions météorologiques dangereuses. L'humidité ou la glace peuvent provoquer un court-circuit ou un autre dysfonctionnement dans le circuit électrique. L'utilisation d'un générateur ou d'un appareil électrique dans des conditions humides, telles que la pluie ou la neige, ou près d'une piscine ou d'un système d'arrosage, ou lorsque vos mains sont mouillées, peut entraîner une électrocution.

#### **⚠ AVERTISSEMENT**

Risque d'incendie. Faites fonctionner le générateur uniquement sur une surface solide et plane. Le fonctionnement du générateur sur une surface avec des matériaux meubles tels que du sable ou de l'herbe coupée peut provoquer l'ingestion de débris par le générateur qui pourraient bloquer les événements de refroidissement ou le système d'admission d'air. Laissez le générateur refroidir pendant 30 minutes avant le transport ou le stockage.

Le générateur doit toujours être sur une surface plane et de niveau (même lorsqu'il n'est pas en fonctionnement). Le générateur doit avoir au moins 5 pi (1,5 m) de dégagement de tout matériau combustible.

Ne faites pas fonctionner le générateur à l'arrière d'un VUS, d'un camping-car, d'une remorque, d'une plateforme de camion (ordinaire, plate ou autre), sous des escaliers, près de murs ou de bâtiments, ou à tout autre endroit qui ne permettra pas un refroidissement adéquat du générateur et / ou silencieux. NE PAS contenir de générateurs pendant le fonctionnement.

#### **⚠ DANGER**

Risque d'asphyxie. Placez le générateur dans un endroit bien ventilé. NE PAS placer le générateur près des événements ou des prises où les gaz d'échappement pourraient être aspirés dans des espaces occupés ou confinés. Tenez soigneusement compte des courants d'air et de vent lors du positionnement du générateur.

### MISE À LA TERRE

#### **⚠ AVERTISSEMENT**

Risque d'électrocution. Le fait de ne pas mettre correctement le générateur à la terre peut entraîner un choc électrique.

#### **AVIS**

N'utilisez que des rallonges à 3 broches, des outils et des appareils mis à la terre, ou des outils et appareils à double isolation.

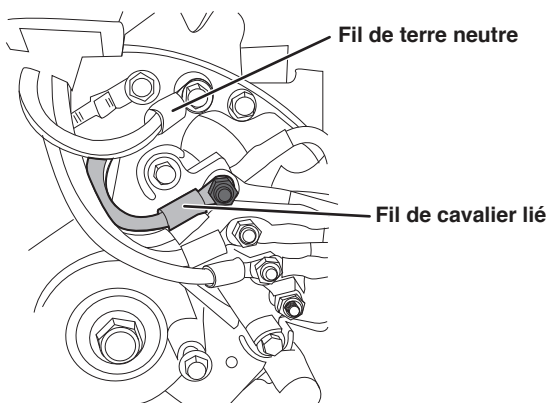
Le neutre du générateur est lié au châssis. Il y a un conducteur permanent entre le générateur (fil de stator) et le châssis. Si ce générateur doit être utilisé uniquement avec des cordons et des prises connectés aux prises montées sur le générateur, le National Electric Code n'exige pas que l'unité soit mise à la terre. Cependant, d'autres méthodes d'utilisation du générateur peuvent nécessiter une mise à la terre pour réduire le risque de choc ou d'électrocution.

Avant d'utiliser la borne de terre, consultez un électricien qualifié, un inspecteur en électricité ou une agence locale ayant juridiction pour les codes ou ordonnances locaux qui s'appliquent à l'utilisation prévue du générateur.

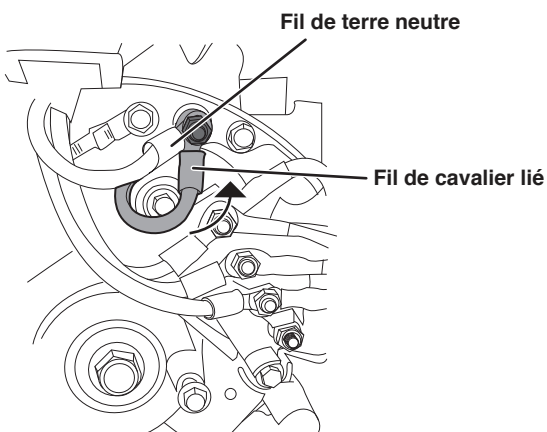
## DÉCONNEXION DU NEUTRE LIÉ

Le retrait du neutre lié désactive la protection GFCI des prises 5-20R. Le neutre lié ne doit être retiré que dans des circonstances spécifiques. Consultez un électricien qualifié pour déterminer si votre situation nécessite de déconnecter le neutre relié.

1. Retirer le couvercle de l'alternateur.
2. Retirez le fil de liaison lié et réinstallez l'écrou.



3. Retirez l'écrou fixant le fil de terre neutre et fixez le fil de liaison relié. Réinstaller l'écrou.



4. Réinstaller le couvercle de l'alternateur.

**IMPORTANT:** Appliquez une nouvelle étiquette "NEUTRAL UNBONDED" sur l'étiquette "NEUTRAL BONDED TO FRAME" à l'avant du panneau de commande.

## FONCTIONNEMENT À HAUTE ALTITUDE

La puissance du moteur diminue à mesure que vous travaillez au-dessus du niveau de la mer. La sortie sera réduite d'environ 3,5% pour chaque 1000 pieds d'altitude accrue par rapport au niveau de la mer.

Un réglage en haute altitude est nécessaire pour une utilisation à des altitudes supérieures à 5 000 pieds (1524 m). Le fonctionnement sans cet ajustement entraînera une baisse des performances, une augmentation de la consommation de carburant et une augmentation des émissions.

### AVIS

Ne pas faire fonctionner le générateur à des altitudes inférieures à 2 000 pieds (762 m) avec le kit haute altitude installé. Des dommages au moteur peuvent survenir.

**Kit de carburateur haute altitude: Partie# 518076-1**

## DÉMARRAGE À DISTANCE

### ⚠ AVERTISSEMENT

Vérifiez que la zone autour du générateur est dégagée avant de démarrer le générateur à distance.

Le porte-clés de démarrage à distance inclus avec le générateur doit être fixé à la poignée de recul ou au panneau de commande. Si votre appareil a été expédié sans porte-clés, contactez le service clientèle de Westinghouse.

Le générateur peut être démarré à distance jusqu'à 99 pieds (30 mètres) à l'aide du porte-clés de démarrage à distance.

**Remarque:** Lorsque les piles du porte-clés de démarrage à distance s'épuisent, la distance opérationnelle diminue.

## APPAIRAGE DU DÉMARRAGE À DISTANCE

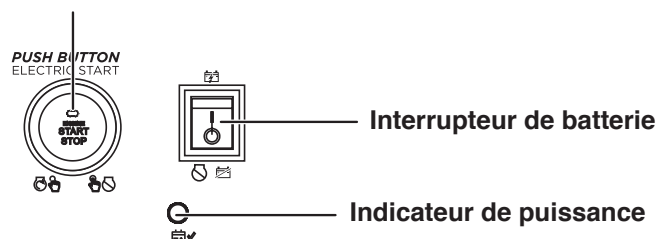
**Piles de remplacement à distance: (2) CR2016**

**Télécommande de remplacement: Partie# 100714A**

Si le porte-clés de démarrage à distance est remplacé ou doit être ré-appairé au générateur, suivez cette procédure.

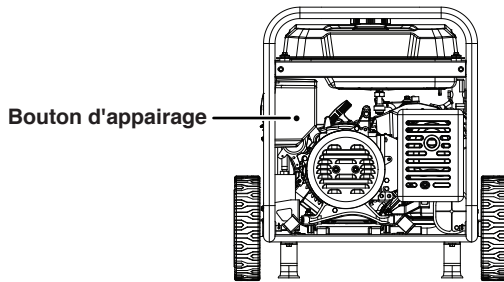
1. Mettez l'interrupteur de la batterie du générateur en position ON. Le voyant d'alimentation s'allume.

### Bouton poussoir START / STOP

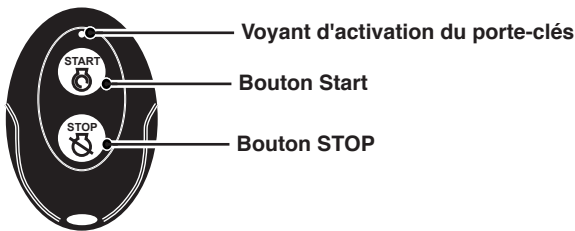


# OPÉRATION

- Appuyez et maintenez le bouton d'appairage rouge sur le côté du panneau de commande jusqu'à ce que le bouton START / STOP s'allume.



- Appuyez sur le bouton STOP du porte-clés et maintenez-le enfoncé jusqu'à ce que l'éclairage du bouton START / STOP s'éteigne. Relâchez le bouton. Le bouton START / STOP s'allume une fois le bouton relâché.



- Appuyez sur le bouton START de la télécommande et maintenez-le enfoncé jusqu'à ce que l'éclairage du bouton START / STOP s'éteigne. Relâchez le bouton. Le bouton START / STOP s'allumera une fois le bouton relâché.
- Appuyez sur le bouton d'appairage sur le côté du panneau de commande jusqu'à ce que l'éclairage du bouton START / STOP s'éteigne. Relâchez le bouton.
- Mettez l'interrupteur de la batterie du générateur en position OFF. La télécommande est maintenant couplée.

## PÉRIODE DE RODAGE

Pour un rodage correct, ne dépassez pas 50% des watts de fonctionnement nominaux pendant les cinq premières heures de fonctionnement.

Faire varier la charge de temps en temps pour permettre aux enroulements du stator de chauffer et de refroidir et aider à asseoir les segments de piston.

## AVANT DE DÉMARRER LE GÉNÉRATEUR

Vérifier que:

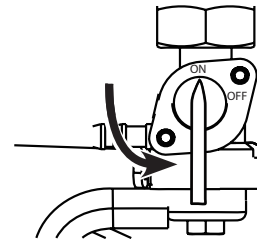
- Le générateur est placé dans un endroit sûr et approprié.
- Le générateur se trouve sur une surface sèche, plane et de niveau.
- Le moteur est rempli d'huile.
- Toutes les charges sont déconnectées.

## ⚠ DANGER

Risque d'incendie et d'explosion. NE PAS déplacer ni basculer le générateur pendant son fonctionnement.

## DÉMARRAGE DU MOTEUR

- Vérifiez que le carburant est dans le réservoir d'essence.
- Tournez le sélecteur de carburant sur le panneau de commande sur le fonctionnement à essence.
- Tournez le robinet du réservoir de carburant en position ON.



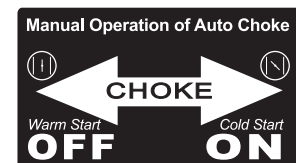
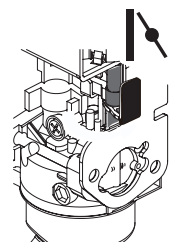
- Poussez l'interrupteur de batterie en position ON.
- Choisissez la méthode de départ:

- Démarrage à distance:** Appuyez et maintenez le bouton START sur le porte-clés de démarrage à distance pendant une seconde.

**Remarque:** Les générateurs équipés d'un démarrage à distance doivent être redémarrés avec le bouton START / STOP sur le panneau de commande après un arrêt automatique.

- Démarrage par bouton-poussoir:** Appuyez sur le bouton START / STOP du moteur et maintenez-le enfoncé pendant deux secondes.

- Démarrage à recul:** En cas de démarrage à froid, fermez le starter en le déplaçant vers la droite vers la poignée avant du générateur. Fermez manuellement le starter si le moteur est froid. Saisissez fermement et tirez lentement sur la poignée de recul jusqu'à ce que vous ressentiez une résistance accrue, puis tirez rapidement.



## ARRÊT DU MOTEUR

1. Éteignez et débranchez toutes les charges électriques connectées.

**IMPORTANT:** Ne jamais démarrer ou arrêter le générateur avec des appareils électriques connectés.

2. Laisser le générateur fonctionner sans charge pendant plusieurs minutes pour stabiliser les températures internes du moteur.
3. Appuyez sur le bouton START / STOP et maintenez-le enfoncé pendant une seconde ou appuyez sur STOP sur le porte-clés de démarrage à distance pendant une seconde.

**Remarque:** Alternativement, si le générateur est rarement utilisé, tournez le robinet du réservoir de carburant en position OFF pour limiter le carburant résiduel restant dans le bol du flotteur du carburateur. Le moteur s'arrête lorsque le carburant dans le carburateur et la conduite de carburant sont épuisés.

4. Poussez le commutateur de batterie en position OFF.

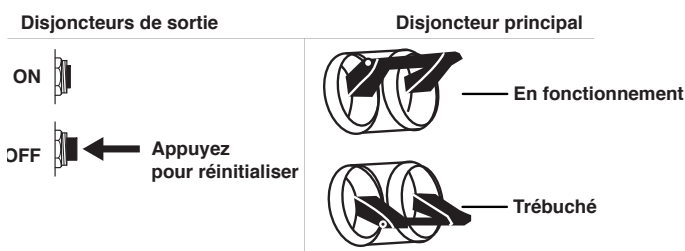
## FRÉQUENCE D'UTILISATION

Si le générateur est utilisé de manière peu fréquente ou intermittente (plus d'un mois avant la prochaine utilisation), reportez-vous aux sections Entretien et stockage de la batterie de ce manuel pour obtenir des informations sur la charge de la batterie et la détérioration du carburant.

## DISJONCTEURS AC

Les disjoncteurs s'éteignent automatiquement s'il y a un court-circuit ou une surcharge importante du générateur à chaque prise. Le disjoncteur principal s'éteindra automatiquement si la charge combinée des prises dépasse 40 ampères.

Si un disjoncteur CA se coupe automatiquement, vérifiez que l'appareil fonctionne correctement et qu'il ne dépasse pas la capacité de charge nominale du circuit avant de remettre le disjoncteur CA en MARCHÉ.



## CAPACITÉ DU GÉNÉRATEUR

### AVIS

Ne surchargez pas la capacité du générateur. Le dépassement de la capacité en watts / ampérage du générateur peut endommager le générateur et / ou les appareils électriques qui y sont connectés.

Assurez-vous que le générateur peut fournir suffisamment de watts continus (en fonctionnement) et de surtension (de démarrage) pour les éléments que vous alimenterez en même temps.

Les besoins de puissance totale (volts x ampères = watts) de tous les appareils connectés doivent être pris en compte. Les fabricants d'appareils et d'outils électriques indiquent généralement les informations de classification à côté du numéro de modèle ou de série.

Pour déterminer les besoins en énergie:

1. Sélectionnez les éléments que vous alimenterez en même temps.
2. Additionnez les watts continus (courants) de ces éléments. Il s'agit de la quantité d'énergie que le générateur doit produire pour maintenir les éléments en marche. Voir le tableau de référence de puissance à la page suivante.
3. Estimez le nombre de watts de surtension (de démarrage) dont vous aurez besoin. La puissance de surtension est la courte rafale de puissance nécessaire pour démarrer les outils ou appareils à moteur électrique tels qu'une scie circulaire ou un réfrigérateur. Étant donné que tous les moteurs ne démarrent pas en même temps, les watts de surtension totaux peuvent être estimés en ajoutant uniquement les éléments avec les watts de surtension supplémentaires les plus élevés au total des watts nominaux de l'étape 2.

# OPÉRATION

## Exemple:

Outil ou appareil	Watts courants*	Watts de départ*
Télévision (Type de tube)	300	0
Réfrigérateur RV	180	600
Radio	200	0
Lumière (75 watts)	300	0
Machine à café	600	0
	1580	600
Total	Watts courants*	Watts de départ*
		les plus élevés*
Total des watts de fonctionnement		1580
Watts de démarrage les plus élevés		+ 600
Total Starting Watts Needed		2180

\* Les puissances indiquées sont approximatives. Vérifiez la puissance réelle.

## GESTION DE L'ALIMENTATION

Pour prolonger la durée de vie du générateur et des appareils connectés, soyez prudent lorsque vous ajoutez des charges électriques au générateur. Il ne devrait y avoir rien de connecté aux sorties du générateur avant de démarrer le moteur. La façon correcte et sûre de gérer l'alimentation du générateur consiste à ajouter des charges séquentiellement comme suit:

1. Sans rien connecté au générateur, démarrez le moteur comme décrit dans ce manuel.
2. Branchez et allumez la première charge, de préférence la plus grande charge dont vous disposez.
3. Permettre à la sortie du générateur de se stabiliser (le moteur tourne sans à-coups et l'appareil attaché fonctionne correctement).
4. Branchez et allumez la charge suivante.
5. Encore une fois, laissez le générateur se stabiliser.
6. Répétez les étapes 4 et 5 pour chaque charge supplémentaire.

## Référence de puissance

Outil ou appareil	Watts courants estimés*	Watts de démarrage estimés*
Lumières à incandescence (4 quantités x 75 watts)	300	0
Télévision (Type de tube)	300	0
Pompe de puisard (1/3 hp)	800	1300
Réfrigérateur ou congélateur	700	2200
Pompe de puits(1/3 hp)	1000	2000
Radio	200	0
Percer (3/8", 4 amps)	440	600
Scie circulaire (Robuste, 7-1/4 ")	1400	2300
Scie à onglet (10 ")	1800	1800
Scie à table (10 ")	2000	2000

\* Les puissances indiquées sont approximatives. Vérifiez la puissance réelle.

\*Wattages listed are approximate. Verify actual wattage.

## RALLONGES

### AVERTISSEMENT

Risque d'asphyxie. Les rallonges fonctionnant directement dans la maison augmentent le risque d'intoxication au monoxyde de carbone par les ouvertures. Si une rallonge qui entre directement dans votre maison est utilisée pour alimenter des éléments intérieurs, il existe un risque d'intoxication au monoxyde de carbone pour les personnes à l'intérieur de la maison. Utilisez toujours des détecteurs de monoxyde de carbone alimentés par batterie et conformes aux normes de sécurité UL 2034 en vigueur lors du fonctionnement du générateur. Vérifiez régulièrement la batterie du (des) détecteur (s).

### AVERTISSEMENT

Risque d'asphyxie. Lorsque vous utilisez le générateur avec des rallonges, assurez-vous que le générateur est situé dans un espace extérieur ouvert, loin des espaces occupés avec l'évacuation dirigée vers l'extérieur.

### AVERTISSEMENT

Risque d'incendie et d'électrocution. N'utilisez jamais de rallonges usées ou endommagées. Les rallonges endommagées ou surchargées peuvent surchauffer, présenter un arc et brûler, entraînant la mort ou des blessures graves.

Avant de connecter un appareil CA ou un cordon d'alimentation au générateur:



- Utilisez des rallonges à 3 broches, des outils et des appareils mis à la terre, ou des outils et appareils à double isolation.
- Assurez-vous que l'outil ou l'appareil est en bon état de fonctionnement. Des appareils ou des cordons d'alimentation défectueux peuvent créer un risque d'électrocution.
- Assurez-vous que la puissance électrique de l'outil ou de l'appareil ne dépasse pas la puissance nominale du générateur ou de la prise utilisée.

## DIMENSIONS DU CORDON D'EXTENSION

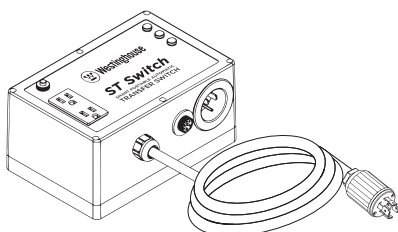
N'utilisez que des rallonges à 3 broches mises à la terre, marquées pour une utilisation en extérieur et conçues pour la charge électrique.

Total Intensité de courant	Jauge minimale, nominale extérieure	
	Jusqu'à 50 FT (15 M)	Jusqu'à 100 FT (30 M)
Jusqu'à 10A	12	8
Jusqu'à 15A	10	8
Jusqu'à 20A	10	6
Jusqu'à 30A	8	6
Jusqu'à 35A	6	6

## INTERRUPTEUR ST

Le wGen9500DF est compatible avec le commutateur ST, acheté séparément. Lorsque l'alimentation secteur est activée, elle fournira de l'énergie (jusqu'à 120 V @ 20 A) aux appareils branchés dans la prise 5-20R du commutateur ST.

En cas de coupure de courant, le commutateur ST transfère automatiquement la puissance d'entrée du secteur au générateur. Lorsque l'alimentation secteur est rétablie, le commutateur ST transfère la puissance d'entrée au secteur. Visitez [www.westinghouseoutdoorpower.com](http://www.westinghouseoutdoorpower.com) pour plus d'informations.



## TRANSPORT

### ▲ MISE EN GARDE

Risque de poids. Ayez toujours de l'aide pour soulever le générateur.

- Laisser le générateur refroidir au moins 30 minutes avant le transport.
- Remplacez tous les couvercles de protection sur le panneau de commande du générateur.
- Utilisez uniquement le châssis fixe de la génératrice pour soulever l'unité ou attacher des dispositifs de retenue de charge tels que des cordes ou des sangles d'arrimage. N'essayez pas de soulever ou de fixer le générateur en le tenant par l'un de ses autres composants.
- Maintenez l'appareil à niveau pendant le transport pour minimiser les risques de fuite de carburant ou, si possible, vidangez le carburant ou faites tourner le moteur jusqu'à ce que le réservoir de carburant soit vide avant le transport.
- Les roues du générateur sont uniquement destinées au transport manuel. Les roues ne sont pas adaptées au remorquage du générateur sur route ou hors route.
- Utilisez la poignée extensible pour le transport manuel d'une seule personne. N'utilisez la poignée que lorsque le générateur est éteint, stationnaire et posé sur une surface horizontale. N'utilisez pas la poignée pour soulever complètement le générateur du sol, le remorquer ou le remonter.
- Les roues du générateur sont uniquement destinées au transport manuel. Les roues ne sont pas adaptées au remorquage du générateur sur route ou hors route.
- Utilisez la poignée extensible pour le transport manuel d'une seule personne. N'utilisez la poignée que lorsque le générateur est éteint, stationnaire et posé sur une surface horizontale. N'utilisez pas la poignée pour soulever complètement la génératrice du sol, la remorquer ou la remonter.

### ▲ MISE EN GARDE

Risque d'incendie. Ne mettez pas le générateur à l'envers et ne le placez pas sur le côté. Le carburant ou l'huile peuvent fuir et endommager le générateur.

# ENTRETIEN

## MAINTENANCE

### **⚠️ AVERTISSEMENT**

Démarrage accidentel. Débranchez le soufflet de la bougie d'allumage de la bougie d'allumage et débranchez les bougies à connexion rapide de la batterie lors de l'entretien du générateur.

## CALENDRIER DE MAINTENANCE

Un entretien régulier améliorera les performances et prolongera la durée de vie du générateur. Suivez les intervalles horaires ou calendaires, selon la première éventualité. Un entretien plus fréquent est nécessaire lors du fonctionnement dans des conditions défavorables, comme indiqué ci-dessous.

### Avant chaque utilisation

Vérifier l'huile moteur

### Après les 25 premières heures ou le premier mois

Changez l'huile du moteur

### Après 50 heures ou tous les 6 mois

Changer l'huile moteur<sup>1</sup>  
Filtre à air propre<sup>2</sup>

### Après 100 heures ou tous les 6 mois

Inspecter / nettoyer le pare-étincelles  
Inspecter / nettoyer la bougie d'allumage  
Entretien de la soupape de carburant  
Inspecter / régler le jeu des soupapes<sup>3</sup>

### Après 300 heures ou chaque année

Remplacer la bougie  
Remplacer le filtre à air

<sup>1</sup> Changez l'huile tous les mois en cas de fonctionnement sous forte charge ou à des températures élevées.

<sup>2</sup> Nettoyez plus souvent dans des conditions sales ou poussiéreuses. Remplacez le filtre à air s'il ne peut pas être nettoyé correctement.

<sup>3</sup> Il est recommandé que le service soit effectué par un concessionnaire Westinghouse agréé.

## RAPPELS D'ENTRETIEN

Les codes de rappel d'entretien seront affichés sur l'affichage des données en fonction des heures de vie de l'unité. Les codes de maintenance seront affichés jusqu'à ce que l'appareil soit éteint. Reportez-vous à la section Maintenance pour les procédures spécifiques.

Code de maintenance	Maintenance requise
P25	Changez l'huile du moteur
P50	• Changez l'huile du moteur Filtre à air propre
P100	• Changez l'huile du moteur • Filtre à air propre • Entretien de la soupape de carburant • Inspecter / régler le jeu des soupapes

## PIÈCES DE RECHANGE D'ENTRETIEN

La description	Numéro d'article
Filtre à air en mousse	5205
Bouchon de vidange d'huile rondelle d'écrasement	94004
Pare-étincelles	6866
Batterie, 9 AH	511008
Filtre à carburant	516401
Bougie d'allumage	91708 (F7TC)

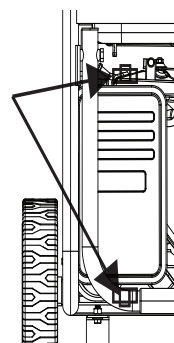
## ENTRETIEN DU FILTRE À AIR

### **⚠️ AVERTISSEMENT**

Risque d'incendie. N'utilisez jamais d'essence ou d'autres solvants inflammables pour nettoyer le filtre à air. Utilisez uniquement du savon détergent ménager pour nettoyer le filtre à air.

Le filtre à air doit être nettoyé toutes les 50 heures d'utilisation ou six mois (la fréquence doit être augmentée si le générateur fonctionne dans un environnement poussiéreux).

1. Placer le générateur sur une surface plane et laisser refroidir le moteur pendant plusieurs minutes.
2. Relâchez les clips supérieur et inférieur puis retirez le couvercle du filtre à air.



3. Retirez les filtres à air. Utilisez de l'air comprimé pour nettoyer le filtre à air grossier.

**Remarque:** L'élément de filtre à air en mousse est imbibé d'huile. Utilisez un récipient de nettoyage approprié.

## AVIS

Évitez tout contact cutané avec l'huile moteur. Portez des vêtements et des équipements de protection. Laver toute la peau exposée avec du savon et de l'eau.

- Retirez le filtre à air en mousse et lavez-le en plongeant l'élément dans une solution de détergent ménager et d'eau tiède. Pressez lentement la mousse pour bien nettoyer.

## AVIS

NE PAS tordre ni déchirer l'élément du filtre à air en mousse pendant le nettoyage ou le séchage. N'appliquez qu'une pression lente mais ferme.

- Rincez l'élément du filtre à air en le plongeant dans de l'eau douce et en appliquant une légère pression. Laisser le filtre sécher complètement.

## AVIS

Ne polluez pas. Suivez les directives de l'EPA ou d'autres agences gouvernementales pour l'élimination appropriée des matières dangereuses. Consultez les autorités locales ou le centre de remise en état.

- Trempez le filtre à air en mousse dans de l'huile moteur propre, puis éliminez tout excès d'huile. Le moteur fumera au démarrage s'il reste trop d'huile dans le filtre.
- Installez le filtre à air en mousse dans le boîtier, puis le filtre à air grossier. Installez le couvercle du filtre à air et fixez-le avec les clips du couvercle.

## CONTRÔLE DU NIVEAU D'HUILE MOTEUR

### ▲ MISE EN GARDE

Évitez tout contact cutané avec l'huile moteur. Portez des vêtements et des équipements de protection. Laver toute la peau exposée avec du savon et de l'eau.

## AVIS

Utilisez toujours l'huile moteur spécifiée. Le fait de ne pas utiliser l'huile moteur spécifiée peut entraîner une usure accélérée et / ou raccourcir la durée de vie du moteur.

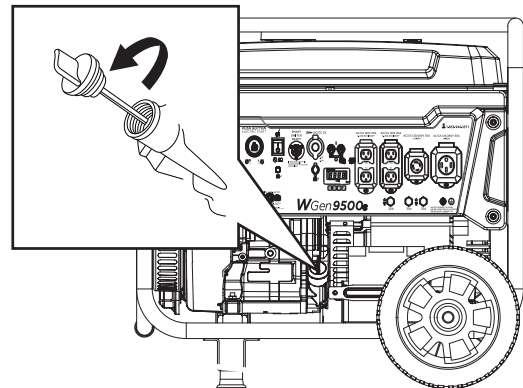
Lors de l'utilisation du générateur dans des conditions extrêmes, sales, poussiéreuses ou par temps extrêmement chaud, changez l'huile plus fréquemment.

La température de l'air ambiant affectera les performances de l'huile moteur. Changer le type d'huile moteur utilisé en fonction des conditions météorologiques.

Type d'huile moteur recommandé								
		10W-30						
	←	5W-30					10W-40	→
		5W-30 Synthétique						
°F	-20	0	20	40	60	80	100	120
°C	-28.9	-17.8	-6.7	4.4	15.6	26.7	37.8	48.9
Température ambiante								

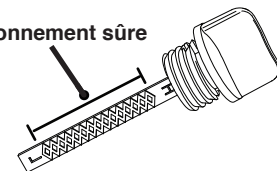
Vérifiez le niveau d'huile moteur avant chaque utilisation ou toutes les 8 heures de fonctionnement.

- Placer le générateur sur une surface plane et laisser refroidir le moteur pendant plusieurs minutes.
- Avec un chiffon humide, nettoyez autour de la jauge d'huile.
- Retirez la jauge d'huile et essuyez la jauge.



- Essuyez la jauge, puis insérez-la dans le goulot de remplissage d'huile sans la visser. Retirez la jauge et vérifiez que le niveau d'huile est dans la plage de fonctionnement sécuritaire.

Plage de fonctionnement sûre



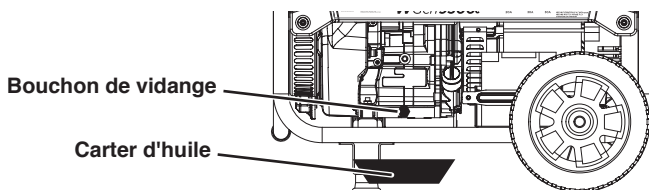
- Si le niveau est bas, ajoutez progressivement l'huile moteur recommandée et revérifiez jusqu'à ce que le niveau se situe entre les marques L et H de la jauge. Ne pas trop remplir. S'il dépasse le repère plein sur la jauge, vidangez l'huile pour réduire le niveau d'huile au repère plein.
- Remplacez la jauge d'huile et serrez à la main.

# ENTRETIEN

## CHANGEMENT D'HUILE MOTEUR

Lors de l'utilisation du générateur dans des conditions extrêmes, sales, poussiéreuses ou par temps extrêmement chaud, changez l'huile plus fréquemment. Changez l'huile pendant que le moteur est encore chaud du fonctionnement.

1. Placer le générateur sur une surface plane et laisser refroidir le moteur pendant plusieurs minutes.
2. Avec un chiffon humide, nettoyez autour de la jauge d'huile. Retirez la jauge et essuyez.
3. Placez un carter d'huile (ou un récipient approprié) sous le boulon de vidange d'huile.
4. À l'aide d'une clé de 10 mm, retirez le boulon de vidange d'huile et laissez l'huile s'écouler.



5. Installez le boulon de vidange d'huile et serrez fermement.

**Note:** Une nouvelle rondelle d'écrasement du bouchon de vidange d'huile est recommandée à chaque vidange d'huile.

6. Versez lentement l'huile dans le goulot de remplissage d'huile jusqu'à ce que le niveau d'huile se situe entre les marques L et H de la jauge. Arrêtez-vous fréquemment pour vérifier le niveau d'huile. Ne pas trop remplir.

**Capacité d'huile maximale: 1.16 Quart (1.1 Liter)**

7. Installez la jauge d'huile et serrez à la main.

### AVIS

Ne polluez pas. Suivez les directives de l'EPA ou d'autres agences gouvernementales pour l'élimination appropriée des matières dangereuses. Consultez les autorités locales ou le centre de remise en état.

## MAINTENANCE DES BOUGIES

### AVIS

Utilisez toujours la bougie d'allumage Westinghouse OEM ou compatible sans résistance. L'utilisation d'une bougie d'allumage de type résistance peut entraîner un ralenti irrégulier, des ratés d'allumage ou peut empêcher le moteur de démarrer.

Inspectez et nettoyez la bougie d'allumage toutes les 100 heures d'utilisation ou six mois. Remplacez la bougie d'allumage après 300 heures d'utilisation ou chaque année.

1. Placer le générateur sur une surface plane et laisser refroidir le moteur.
2. Retirez le soufflet de bougie d'allumage en tirant fermement le soufflet d'allumage directement loin du moteur.
3. Nettoyez la zone autour de la bougie.
4. Retirez la bougie d'allumage avec la clé à douille de bougie incluse.

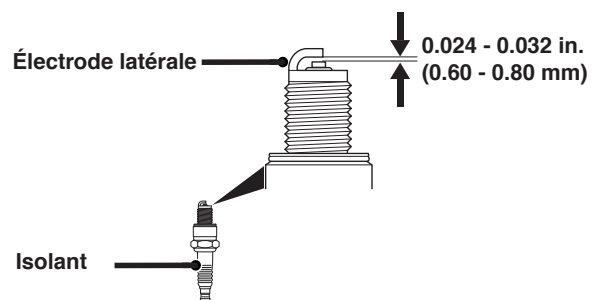
### AVIS

N'appliquez jamais de charge latérale et ne déplacez jamais la bougie d'allumage latéralement lors du retrait de la bougie.

5. Inspectez la bougie d'allumage. Remplacez-les si les électrodes sont piquées, brûlées ou si l'isolant est fissuré. Utilisez uniquement une fiche de remplacement recommandée.
6. Mesurez l'écartement des électrodes de la bougie avec une jauge d'épaisseur à fil. Si nécessaire, corrigez l'écart en pliant soigneusement l'électrode latérale.

**Ecartement électrode bougie:**

**0.024 – 0.032 in. (0.60 – 0.80 mm)**

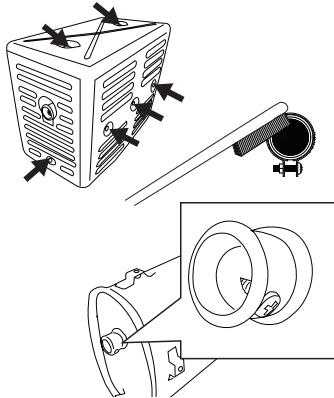


7. Installez soigneusement la bougie à la main, puis serrez de 3/8 à 1/2 tour supplémentaire avec la clé à bougie.
8. Fixez le soufflet de bougie.

## SERVICE DE PARE-ÉTINCELLES

Laissez le silencieux refroidir complètement avant de réparer le pare-étincelles. Vérifiez et nettoyez le pare-étincelles toutes les 100 heures d'utilisation ou six mois. Le fait de ne pas nettoyer le pare-étincelles entraînera une dégradation des performances du moteur.

1. Placer le générateur sur une surface plane.
2. Retirez les vis du couvercle et le couvercle du silencieux. Utilisez un tournevis pour retirer le pare-étincelles.

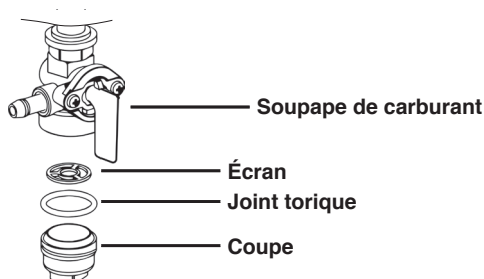


3. Retirez soigneusement les dépôts de carbone de l'écran pare-étincelles avec une brosse métallique. Le pare-étincelles doit être exempt de cassures et de déchirures. Remplacez le pare-étincelles s'il est endommagé.
4. Réinstaller le pare-étincelles et le couvercle du silencieux.

## ENTRETIEN DE LA SOUPAPE DE CARBURANT

Le robinet de carburant est équipé d'une coupelle à sédiments de carburant, d'un tamis et d'un joint torique. Le robinet de carburant ne nécessite pas d'entretien si l'unité est correctement entretenue avec du carburant frais et propre. Si un dépannage lié au carburant est nécessaire, effectuez la maintenance de la vanne de carburant.

1. Laisser le générateur refroidir complètement.
2. Tournez le robinet de carburant en position OFF.
3. Retirez la coupelle à sédiments du robinet de carburant. Retirez le joint torique et l'écran



4. Lavez la coupelle à sédiments, le joint torique et le tamis dans un solvant ininflammable. Sécher soigneusement.
5. Placez le tamis et le joint torique dans le robinet de carburant. Installez la coupelle à sédiments et serrez fermement.
6. Tournez le robinet de carburant en position ON et vérifiez s'il y a des fuites. Remplacez le robinet de carburant en cas de fuite.

## ENTRETIEN DE LA BATTERIE

### ⚠ AVERTISSEMENT

Risque d'explosion. Les batteries émettent des gaz explosifs pendant la charge. Éloignez le feu et les étincelles.

La batterie livrée avec le générateur a été complètement chargée. Une batterie peut perdre une partie de sa charge lorsqu'elle n'est pas utilisée pendant de longues périodes.

**Remarque:** Once started, the generator will charge the battery after 30–60 minutes of use.

Le chargeur d'entretien inclus peut rester connecté et conservera la batterie pendant une période indéfinie. Un voyant rouge sur le chargeur indique que la charge est en cours. Un voyant vert indique que la charge est terminée. Charger dans un endroit sec.

1. Branchez le chargeur dans le port de charge de la batterie sur le panneau de commande.
2. Branchez l'extrémité de la prise murale du chargeur de batterie dans une prise murale de 120 volts CA.

## REPLACEMENT DE LA BATTERIE

### ⚠ AVERTISSEMENT

Risque de brûlure. La batterie contient de l'acide sulfurique (électrolyte) qui est très corrosif et toxique. Portez des vêtements de protection et des lunettes de protection lorsque vous travaillez à proximité de la batterie. Tenez les enfants éloignés de la batterie.

### ⚠ MISE EN GARDE

Les bornes et bornes de batterie contiennent du plomb et des composés de plomb. Se laver les mains après manipulation.

1. Desserrez et retirez le boulon de la plaque de maintien de la batterie et faites pivoter la plaque vers l'extérieur.
2. Débranchez les fiches à connexion rapide et retirez la batterie de l'unité.

# ENTRETIEN

- Débranchez les fils du câble à déconnexion rapide de la batterie.
- Sur la batterie de remplacement, connectez le câble de connexion rapide blanc (-) à la borne négative de la batterie. Faites glisser la gaine en caoutchouc sur le matériel de connexion.
- Connectez le câble de connexion rapide rouge (+) à la borne positive de la batterie. Faites glisser la gaine en caoutchouc sur le matériel de connexion.
- Installez la batterie dans le générateur. Réinstallez la plaque de maintien de la batterie et serrez le boulon.
- Branchez la fiche à connexion rapide.

## AVIS

Débarrassez-vous de la batterie usagée conformément aux directives établies par votre gouvernement local ou régional.

## ESPACE DE RANGEMENT

Une préparation de stockage appropriée est nécessaire pour un fonctionnement sans problème et la longévité du générateur.

## AVIS

L'essence stockée pendant aussi peu que 30 jours peut se détériorer, provoquant une accumulation de gomme, de vernis et de corrosion dans les conduites de carburant, les passages de carburant et le moteur. Cette accumulation corrosive restreint le débit de carburant, ce qui peut empêcher le moteur de démarrer après une période de stockage prolongée. L'utilisation d'un stabilisateur de carburant augmente considérablement la durée de stockage de l'essence. Il est recommandé d'utiliser à plein temps le stabilisateur de carburant. Suivez les instructions d'utilisation du fabricant.

## TEMPS DE STOCKAGE

## PROCÉDURE RECOMMANDÉE

Moins de 1 mois	Aucun service requis.
2 à 6 mois	Faites le plein d'essence fraîche et ajoutez du stabilisateur d'essence. Vidangez le bol du flotteur du carburateur.
6 mois ou plus	Vidanger le réservoir de carburant et la cuve du flotteur du carburateur.

## STOCKAGE À COURT TERME

- Laisser le générateur refroidir au moins 30 minutes avant de le ranger.

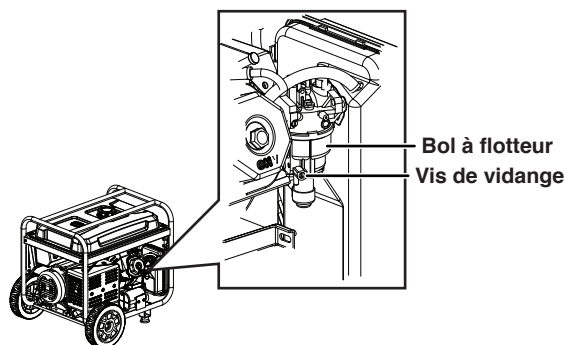
- Remplacez tous les couvercles de protection sur le panneau de commande du générateur.
- Essuyez le générateur avec un chiffon humide. Nettoyez tous les débris des événements de refroidissement du silencieux.
- Entreposez le générateur dans un endroit bien ventilé et sec à l'écart des étincelles, des flammes nues, des veilleuses, de la chaleur et d'autres sources d'inflammation telles que les zones avec un moteur électrique produisant des étincelles ou là où des outils électriques sont utilisés.
- Ne stockez pas le générateur, les réservoirs d'essence ou de propane à proximité de fournaises, de chauffe-eau ou de tout autre appareil produisant de la chaleur ou à allumage automatique.
- Avec le moteur et le système d'échappement froids et toutes les surfaces sèches, couvrez le générateur pour empêcher la poussière d'entrer. N'utilisez pas de feuille de plastique comme cache anti-poussière. Les matériaux non poreux retiennent l'humidité et favorisent la rouille et la corrosion.

## STOCKAGE À LONG TERME

Même un carburant correctement stabilisé peut laisser des résidus et provoquer de la corrosion s'il est laissé à long terme. Si vous stockez le générateur pendant deux à six mois, vidangez le bol du flotteur pour éviter l'accumulation de gomme et de vernis dans le carburateur.

## VIDANGE DU FLOTTEUR

- Tourner le robinet du réservoir de carburant en position OFF.
- Localisez la vis de vidange au bas du bol du flotteur du carburateur.



- Placez un réservoir d'essence approprié sous la vis de vidange pour récupérer le carburant vidangé.
- Desserrez la vis de vidange du bol du flotteur et laissez le carburant s'écouler. Serrez la vis de vidange du bol du flotteur.

## VIDANGE DU RÉSERVOIR DE CARBURANT

Si vous entreposez le générateur pendant plus de six mois, vidangez le réservoir de carburant pour éviter la séparation, la détérioration et les dépôts de carburant dans le système de carburant.

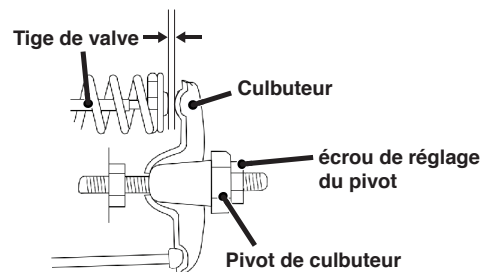
1. Dévissez le bouchon du réservoir de carburant. Retirez le filtre à carburant en le comprimant légèrement tout en le retirant du réservoir.
2. À l'aide d'une pompe à essence disponible dans le commerce (non incluse), siphonnez l'essence du réservoir de carburant dans un réservoir d'essence approuvé. N'utilisez PAS de pompe électrique.
3. Réinstallez le filtre à carburant et le bouchon du réservoir de carburant.
4. Démarrez le générateur et laissez-le fonctionner jusqu'à ce que le moteur du générateur s'arrête.
5. Poussez le commutateur de batterie en position OFF.
6. Débranchez les fiches de connexion rapide de la batterie.
7. Retirez la bougie.
8. Mettez une cuillère à café d'huile moteur dans le cylindre et tirez sur la poignée de recul jusqu'à ce qu'une résistance se fasse sentir. Dans cette position, le piston remonte sur sa course de compression et les deux soupapes sont fermées. Le stockage du moteur dans cette position aidera à prévenir la corrosion interne. Remettez doucement la poignée de recul.
9. Réinstallez la bougie d'allumage. Laissez le soufflet de bougie débranché pour éviter tout démarrage accidentel.

## LE JEU DES SOUPAPES

### AVIS

Le contrôle et le réglage du jeu des soupapes doivent être effectués lorsque le moteur est froid.

1. Retirez le couvercle du culbuteur et retirez soigneusement le joint. Si le joint est déchiré ou endommagé, il doit être remplacé.
2. Retirez la bougie d'allumage pour que le moteur puisse tourner plus facilement.
3. Faites tourner le moteur jusqu'au point mort haut (PMH) en tirant lentement sur la poignée de recul. En regardant à travers le trou de la bougie, le piston doit être en haut (les deux soupapes sont fermées).
4. Les deux culbuteurs doivent être desserrés au PMH sur la course de compression. Si ce n'est pas le cas, faites tourner le moteur à 360°.
5. Insérez une jauge d'épaisseur entre le culbuteur et la tige de soupape pour mesurer le jeu des soupapes.



	Soupape d'admission	La soupape d'échappement
<b>Le jeu des soupapes</b>	0.0031 – 0.0047 in (0.08 – 0.12 mm)	0.0051 – 0.0067 in (0.13 – 0.17 mm)
<b>Couple</b>	8-12 N·m	8-12 N·m

6. Si un réglage est nécessaire, maintenez le pivot du culbuteur et desserrez l'écrou de réglage du pivot.
7. Tournez le pivot du culbuteur pour obtenir le jeu spécifié. Maintenez le pivot du culbuteur et resserrez l'écrou de réglage du pivot au couple spécifié.

**Couple: 106 pouce-livre (12 N·m)**

8. Exécutez cette procédure pour l'autre vanne.
9. Installez le joint, le couvercle du culbuteur et la bougie d'allumage.

# DÉPANNAGE

## DÉPANNAGE

PROBLÈME	CAUSE POSSIBLE	CORRECTION
Le moteur ne démarre pas	Interrupteur de batterie en position OFF.	Mettez l'interrupteur de la batterie en position ON.
	En panne d'essence.	Ravitailer.
	Mauvais carburant, générateur stocké sans traiter ni vidanger l'essence, ou ravitaillé avec de l'essence défectueuse.	Videz le réservoir de carburant. Faites le plein d'essence fraîche.
	Filtre à air sale.	Nettoyez le filtre à air.
	Le niveau d'huile moteur bas a arrêté le générateur.	Si le voyant de niveau d'huile bas est allumé, tournez le commutateur de batterie en position OFF. Ajoutez de l'huile moteur.
	Bougie d'allumage mouillée de carburant (moteur noyé).	Attendez cinq minutes. Mettez l'interrupteur de la batterie en position OFF. Tirez la poignée de recul rapidement plusieurs fois. Si le générateur ne démarre pas, retirez la bougie et séchez.
	Bougie d'allumage défectueuse, encrassée ou mal espacée.	Écartez ou remplacez la bougie. Réinstallez.
	Filtre à carburant obstrué, dysfonctionnement du système d'alimentation en carburant, défaillance de la pompe à carburant, dysfonctionnement d'allumage, vannes bloquées, etc.	Contactez le service à la clientèle de Westinghouse sans frais au 1 (855) 944-3571.
	Batterie déchargée.	Utilisez la poignée de recul pour démarrer le générateur. Charger la batterie.
	Starter partiellement ouvert ou fermé en raison d'une batterie faible ou déconnectée.	Réglez manuellement le starter. Voir la section Maintenance.
	Capteur de CO retiré ou modifié.	Revenez à la configuration d'origine.
Capteur de CO activé ou une panne du système s'est produite.	Relocaliser le générateur / Contactez le service à la clientèle de Westinghouse sans frais au 1 (855) 944-3571.	
Le moteur démarre, puis s'arrête	En panne d'essence.	Ravitailer.
	Niveau d'huile moteur incorrect.	Vérifiez le niveau d'huile moteur.
	Filtre à air sale.	Nettoyez le filtre à air.
	Carburant contaminé.	Videz le réservoir de carburant. Faites le plein d'essence fraîche.
	Interrupteur de bas niveau d'huile défectueux.	Contactez le service à la clientèle de Westinghouse sans frais au 1 (855) 944-3571.
Le moteur manque de puissance	Filtre à air obstrué.	Nettoyez ou remplacez le filtre à air.
	Mauvais carburant, générateur stocké sans traiter ni vidanger l'essence, ou ravitaillé avec de l'essence défectueuse.	Videz le réservoir de carburant. Faites le plein d'essence fraîche.
	Filtre à carburant obstrué, dysfonctionnement du système d'alimentation en carburant, défaillance de la pompe à carburant, dysfonctionnement d'allumage, vannes bloquées, etc.	Contactez le service à la clientèle de Westinghouse sans frais au 1 (855) 944-3571.
Le moteur tourne mal ou tourbillonne lors de l'application de la charge	Filtre à air sale.	Nettoyez le filtre à air.
	Générateur surchargé.	Débranchez certains appareils.
	Outil électrique ou appareil défectueux.	Remplacez ou réparez l'outil ou l'appareil. Arrêtez et redémarrez le moteur.
	Filtre à carburant obstrué, dysfonctionnement du système d'alimentation en carburant, défaillance de la pompe à carburant, dysfonctionnement d'allumage, vannes bloquées, etc.	Contactez le service à la clientèle de Westinghouse sans frais au 1 (855) 944-3571.
Pas d'alimentation aux prises CA	La LED OUTPUT READY est éteinte et la LED OVERLOAD est allumée.	Vérifiez la charge CA. Arrêtez et redémarrez le moteur. Vérifiez l'entrée d'air. Arrêtez et redémarrez le moteur.
	Disjoncteur / s CA déclenché.	Vérifiez les charges CA et réinitialisez le (s) disjoncteur (s).
	Outil électrique ou appareil défectueux.	Remplacez ou réparez l'outil ou l'appareil. Arrêtez et redémarrez le moteur.
	Générateur défectueux.	Contactez le service à la clientèle de Westinghouse sans frais au 1 (855) 944-3571.





[WestinghousePortablePower.com](http://WestinghousePortablePower.com)

**Service Hotline: (855) 944-3571**

**777 Manor Park Drive  
Columbus, OH 43228**

**™ & © 2020 Westinghouse Electric Corporation**

**© 2020 Westinghouse Outdoor Power Equipment, LLC All Rights Reserved.**

WGen7500c Rev01

121977 Rev01 4/21