



Operator's Manual

Serenity Pellet Stove

Model 41278

ENGLISH

FRANÇAIS

CAUTION

DO NOT DISCARD MANUAL!
IMPORTANT OPERATING AND
MAINTENANCE INSTRUCTIONS
INCLUDED.



SAVE THESE INSTRUCTIONS AND
LEAVE THIS MANUAL WITH ANY
PERSON RESPONSIBLE FOR USE AND
OPERATION.

ATTENTION NE PAS JETER!

IMPORTANTES INSTRUCTIONS
D'UTILISATION ET D'ENTRETIEN
INCLUSES.

CONSERVEZ CES INSTRUCTIONS
ET LAISSEZ CE MANUEL À TOUTE
PERSONNE RESPONSABLE
DE L'UTILISATION ET DU
FONCTIONNEMENT.

WARNING

PLEASE READ THIS ENTIRE
MANUAL BEFORE INSTALLATION
AND USE OF THIS PELLET
FUEL-BURNING ROOM HEATER.
FAILURE TO FOLLOW THESE
INSTRUCTIONS COULD RESULT
IN PROPERTY DAMAGE, BODILY
INJURY OR EVEN DEATH.

AVERTISSEMENT

VEUILLEZ LIRE CE MANUEL EN
ENTIER AVANT D'INSTALLER
ET D'UTILISER CET APPAREIL
DE CHAUFFAGE AUTONOME À
GRANULES, AFIN D'ÉCARTER LES
RISQUES DE DÉGÂTS MATÉRIELS,
DE BLESSURES CORPORELLES,
VOIRE DE MORT.



CAUTION

CONTACT LOCAL BUILDING OR FIRE OFFICIALS ABOUT RESTRICTIONS
AND INSTALLATION INSPECTION REQUIREMENTS FOR YOUR AREA.

ATTENTION

CONSULTER LES SERVICES DU BÂTIMENT OU D'INCENDIE LOCAUX
CONCERNANT LES RESTRICTIONS ET LES EXIGENCES D'INSPECTION
D'INSTALLATION EN VIGUEUR.

Get parts online at
www.CastleStoves.com



P/N: 41723
ECN: 14240
REV3: 03/08/2023
© 2023 Ardisam Inc.
All Rights Reserved.

WARNINGS AND SAFETY PRECAUTIONS

Owner's Responsibility

- Accurate assembly and safe and effective use of the stove is the owner's responsibility.
- Read and follow all safety instructions.
- Carefully follow all assembly instructions.
- Maintain the stove according to directions and schedule included in this Castle operator's manual.
- Ensure that anyone who uses the stove is familiar with all controls and safety precautions.

Special Messages

Your manual contains special messages to bring attention to potential safety concerns, stove damage as well as helpful operating and servicing information. Please read all the information carefully to avoid injury and stove damage.

NOTE: General information is given throughout the manual that may help the operator in the operation or service of the stove.

IMPORTANT SAFETY PRECAUTIONS

Please read this section carefully. Operate the stove according to the safety instructions and recommendations outlined here and inserted throughout the text. Anyone who uses this stove must read the instructions and be familiar with the controls.



THIS SYMBOL POINTS OUT IMPORTANT SAFETY INSTRUCTIONS WHICH IF NOT FOLLOWED COULD ENDANGER YOUR PERSONAL SAFETY. READ AND FOLLOW ALL INSTRUCTIONS IN THIS MANUAL BEFORE ATTEMPTING TO OPERATE THIS EQUIPMENT.



DANGER

DANGER INDICATES A SERIOUS INJURY OR FATALITY WILL RESULT IF THE SAFETY INSTRUCTIONS THAT FOLLOW THIS SIGNAL WORD ARE NOT OBEYED.



WARNING

WARNING INDICATES A SERIOUS INJURY OR FATALITY COULD RESULT IF THE SAFETY INSTRUCTIONS THAT FOLLOW THIS SIGNAL WORD ARE NOT OBEYED.



CAUTION

CAUTION INDICATES YOU CAN OR YOUR EQUIPMENT CAN BE HURT IF THE SAFETY INSTRUCTIONS THAT FOLLOW THIS SIGNAL WORD ARE NOT OBEYED.



IMPORTANT

IMPORTANT INDICATES HELPFUL INFORMATION FOR PROPER ASSEMBLY, OPERATION, OR MAINTENANCE OF YOUR EQUIPMENT.



WARNING

YOU MUST READ, UNDERSTAND AND COMPLY WITH ALL SAFETY AND OPERATING INSTRUCTIONS IN THIS MANUAL BEFORE ATTEMPTING TO SETUP AND OPERATE YOUR STOVE.

FAILURE TO COMPLY WITH ALL SAFETY AND OPERATING INSTRUCTIONS CAN RESULT IN SERIOUS PERSONAL INJURY TO YOU AND/OR BYSTANDERS, AND RISK OF EQUIPMENT AND PROPERTY DAMAGE. THE TRIANGLE IN THE TEXT SIGNIFIES IMPORTANT CAUTIONS OR WARNINGS WHICH MUST BE FOLLOWED.



WARNING



PLEASE READ THIS ENTIRE MANUAL BEFORE INSTALLATION AND USE OF THIS PELLET FUEL-BURNING ROOM HEATER. FAILURE TO FOLLOW THESE INSTRUCTIONS COULD RESULT IN PROPERTY DAMAGE, BODILY INJURY OR EVEN DEATH.

DO NOT STORE OR USE GASOLINE OR OTHER FLAMMABLE VAPORS AND LIQUIDS IN THE VICINITY OF THIS OR ANY OTHER APPLIANCE.

DO NOT OVERFIRE - IF ANY EXTERNAL PART STARTS TO GLOW, YOU ARE OVERFIRING. REDUCE FEED RATE. OVERFIRING WILL VOID THE WARRANTY.

COMPLY WITH ALL MINIMUM CLEARANCES TO COMBUSTIBLES AS SPECIFIED. FAILURE TO COMPLY MAY CAUSE A HOUSE FIRE.



WARNING



HOT SURFACE ! DO NOT TOUCH! SEVERE BURNS MAY RESULT. CLOTHING IGNITION MAY RESULT. GLASS AND OTHER SURFACES ARE HOT DURING OPERATION AND COOL DOWN.

KEEP CHILDREN AWAY.

CAREFULLY SUPERVISE CHILDREN IN SAME ROOM AS APPLIANCE.

DO NOT OPERATE WITH PROTECTIVE BARRIERS OPEN OR REMOVED.

KEEP CLOTHING, FURNITURE, DRAPERIES AND OTHER COMBUSTIBLES AWAY.



CAUTION

CHECK BUILDING CODES PRIOR TO INSTALLATION. CONTACT THE REGULATING AUTHORITY PRIOR TO INSTALLATION TO DETERMINE THE NEED FOR A PERMIT.

INSTALLATION MUST COMPLY WITH LOCAL, REGIONAL, STATE AND NATIONAL CODES AND REGULATIONS

CONSULT LOCAL BUILDING OR FIRE OFFICIALS ABOUT RESTRICTIONS AND INSTALLATION INSPECTION REQUIREMENTS IN YOUR AREA.

TESTED AND APPROVED FOR PELLET FUEL. BURNING ANY OTHER TYPE OF FUEL VOIDS WARRANTY.



CAUTION



DO NOT DISCARD

IMPORTANT OPERATING AND MAINTENANCE INSTRUCTIONS INCLUDED.

READ, UNDERSTAND AND FOLLOW THESE INSTRUCTIONS FOR SAFE INSTALLATION AND OPERATION.

LEAVE THIS MANUAL WITH PARTY RESPONSIBLE FOR USE AND OPERATION.



WARNING

WARNING INDICATES A SERIOUS INJURY OR FATALITY COULD RESULT IF THE SAFETY INSTRUCTIONS THAT FOLLOW THIS SIGNAL WORD ARE NOT OBEYED.

READ THIS ENTIRE MANUAL BEFORE YOU INSTALL AND USE YOUR NEW PELLET STOVE. FAILURE TO FOLLOW INSTRUCTIONS MAY RESULT IN PROPERTY DAMAGE, BODILY INJURY, OR EVEN DEATH.

CHILDREN AND ADULTS SHOULD BE ALERTED TO THE HAZARDS OF HIGH SURFACE TEMPERATURES AND SHOULD STAY AWAY TO AVOID CONTACT TO SKIN AND/OR CLOTHING.

YOUNG CHILDREN SHOULD BE CAREFULLY SUPERVISED WHEN THEY ARE IN THE SAME ROOM AS THE STOVE.

CLOTHING AND OTHER FLAMMABLE MATERIALS SHOULD NOT BE PLACED ON OR NEAR THIS UNIT.

FLAMMABLE OR EXPLOSIVE LIQUIDS SUCH AS GASOLINE, NAPHTHA, ALCOHOL, OR ENGINE OIL MUST NEVER BE USED IN OR AROUND STOVE. THESE LIQUIDS MUST BE STORED IN A SEPARATE ROOM AS THE OPEN FLAME IN THE FIRE BOX COULD IGNITE THE FUMES OF SUCH LIQUIDS.

DO NOT BURN GARBAGE IN THIS UNIT. THE BURNING OF OTHER SOLID FUELS SUCH AS CORD WOOD OR WOOD CHIPS IN THIS STOVE IS NOT PERMITTED. ANY FUELS NOT CERTIFIED BY CASTLE PELLET STOVES WHICH ARE BURNED IN THIS STOVE WILL VOID THE WARRANTY.

DO NOT ROUTE POWER CORD IN HIGH TRAFFIC AREAS. A POWER SURGE PROTECTOR PLUGGED INTO A GROUNDED 120 VOLT POWER SOURCE IS REQUIRED.



WARNING

DO NOT INSTALL A FLUE DAMPER IN THE EXHAUST VENTING SYSTEM OF THIS UNIT.

DO NOT CONNECT THIS UNIT TO A CHIMNEY FLUE SERVICING ANOTHER APPLIANCE.

DO NOT INSTALL IN A SLEEPING ROOM.

DO NOT CONNECT TO ANY AIR DISTRIBUTION DUCT OR SYSTEM.

- **DO NOT CONNECT DIRECTLY TO A MASONRY CHIMNEY.**

- **DO NOT TERMINATE VENT IN ANY ENCLOSED OR SEMI-ENCLOSED AREA, SUCH AS; CARPORTS, GARAGE, ATTIC, CRAWL SPACE, UNDER A SUN DECK OR PORCH, NARROW WALKWAY OR CLOSED AREA, OR ANY LOCATION THAT CAN BUILD UP A CONCENTRATION OF FUMES SUCH AS A STAIRWELL, COVERED BREEZEWAY ETC.**

- **NEVER TOUCH DOOR LATCHES WHILE STOVE IS IN OPERATION; THEY GET EXTREMELY HOT.**

PROPER INSTALLATION OF THIS STOVE IS NECESSARY FOR SAFE AND EFFICIENT OPERATION. INSTALLING THIS PRODUCT IMPROPERLY MAY RESULT IN A HOUSE FIRE AND PERSONAL INJURY.

ALL APPLICABLE BUILDING CODES FOR YOUR LOCATION MUST BE FOLLOWED. IN AREAS WHERE BUILDING CODES REQUIRE ADDITIONAL STEPS TO THE INSTALLATION OF THIS PRODUCT NOT INCLUDED IN THIS MANUAL, THE BUILDING CODES WILL TAKE PRECEDENT AND MUST BE FOLLOWED. CONTACT YOUR LOCAL BUILDING INSPECTOR TO OBTAIN ANY NECESSARY PERMITS OR INSPECTION GUIDELINES BEFORE INSTALLING THE PRODUCT.



Serenity Pellet Stove

ENGLISH

 **CAUTION**

ALL APPLICABLE BUILDING CODES FOR YOUR LOCATION MUST BE FOLLOWED. IN AREAS WHERE BUILDING CODES REQUIRE ADDITIONAL STEPS TO THE INSTALLATION OF THIS PRODUCT NOT INCLUDED IN THIS MANUAL, THE BUILDING CODES WILL TAKE PRECEDENT AND MUST BE FOLLOWED. CONTACT YOUR LOCAL BUILDING INSPECTOR TO OBTAIN ANY NECESSARY PERMITS OR INSPECTION GUIDELINES BEFORE INSTALLING THE PRODUCT.

CONTACT LOCAL BUILDING OR FIRE OFFICIALS ABOUT RESTRICTIONS AND INSTALLATION INSPECTION REQUIREMENTS IN YOUR AREA.

CONTACT YOUR LOCAL AUTHORITY (SUCH AS MUNICIPAL BUILDING DEPARTMENT, FIRE DEPARTMENT, FIRE PREVENTION BUREAU, ETC.) TO DETERMINE THE NEED FOR A PERMIT.

THE CASTLE PELLET STOVES PELLET STOVE IS DESIGNED TO BURN PELLET FUEL ONLY.

A WORKING SMOKE DETECTOR IS REQUIRED AND MUST BE INSTALLED IN THE SAME ROOM AS THE STOVE.

THIS STOVE IS NOT INTENDED FOR USE IN COMMERCIAL APPLICATIONS.

DOOR AND ASH PAN MUST BE CLOSED AND LATCHED DURING OPERATION.

NOTIFY YOUR INSURANCE COMPANY OF PELLET STOVE INSTALLATION.

THIS INSTALLATION MUST CONFORM WITH LOCAL CODES. IN THE ABSENCE OF LOCAL CODES YOU MUST COMPLY WITH ASTM E1509, (UM) 84-HUD, AND UCL 5627-2000.

THE STRUCTURAL INTEGRITY OF THE MANUFACTURED HOME FLOOR, WALL, AND CEILING/ROOF MUST BE MAINTAINED.

KEEP COMBUSTIBLE MATERIALS (SUCH AS GRASS, LEAVES, ETC.) AT LEAST THREE FEET AWAY FROM THE FLUE OUTLET ON THE OUTSIDE OF THE BUILDING.

THIS STOVE SHOULD NOT BE USED AS THE ONLY SOURCE OF HEAT IN THE HOUSE. POWER OUTAGES AND PERIODIC MAINTENANCE WILL RESULT IN A TOTAL LOSS OF HEAT.

DO NOT LEAVE HOPPER DOOR OPEN.

 **CAUTION**

INSTALLATION AND REPAIR OF THIS PELLET STOVE SHOULD BE DONE BY A QUALIFIED SERVICE PERSON. THE APPLIANCE SHOULD BE INSPECTED BEFORE USE AND AT LEAST ONCE A YEAR BY A QUALIFIED SERVICE PERSON. IT IS IMPERATIVE THAT THE CONTROL COMPARTMENTS, FIRE BOX, AND THE CIRCULATING AIR PASSAGEWAYS OF THE STOVE BE KEPT CLEAN.

THE OPERATION OF EXHAUST FANS SUCH AS BATHROOM FANS, ATTIC FANS, ETC. MIGHT STARVE THE PELLET STOVE OF COMBUSTIBLE AIR CREATING A NEGATIVE PRESSURE IN THE ROOM. PROVIDE ADEQUATE VENTILATION OF THE ROOM ACCOMPANYING THE PELLET STOVE. IF NOT, THE PRESSURE SWITCH MAY SHUT OFF OPERATION OF THE PELLET STOVE.

THE MOVING PARTS OF THIS STOVE ARE PROPELLED BY HIGH TORQUE ELECTRIC MOTORS. THESE PARTS CAN CAUSE SEVERE DAMAGE TO BODY PARTS THAT GET NEAR THEM. KEEP ALL BODY PARTS AWAY FROM AUGER AND FANS WHILE THE STOVE IS PLUGGED INTO AN ELECTRICAL OUTLET. THESE MOVING PARTS MAY BEGIN TO MOVE AT ANY TIME THE STOVE IS PLUGGED IN.

THE VENT SURFACES CAN GET HOT ENOUGH TO CAUSE BURNS IF TOUCHED. NONCOMBUSTIBLE SHIELDING OR GUARDS MAY BE REQUIRED.

INSTALL VENT AT CLEARANCES SPECIFIED BY THE VENT MANUFACTURER.

ALL VENTING JOINTS, WHETHER VERTICAL OR HORIZONTAL, SHOULD BE MADE GAS-TIGHT WITH RECOMMENDED SEALANTS SPECIFIED BY VENT MANUFACTURER.

ACCORDING TO HUD (HOUSING & URBAN DEVELOPMENT) REQUIREMENTS, WHEN INSTALLED IN A MOBILE HOME, THIS STOVE MUST BE GROUNDED DIRECTLY TO THE STEEL CHASSIS OF THE MOBILE HOME AND BOLTED TO THE FLOOR. DIRECT AIR ACCESS MUST BE PROVIDED, USE A FRESH AIR KIT.

FOR USE IN THE UNITED STATES AND CANADA. APPROVED FOR INSTALLATION IN MOBILE HOMES.

CASTLE PELLET STOVES, PRODUCER OF THIS APPLIANCE, RESERVES THE RIGHT TO ALTER ITS PRODUCTS, SPECIFICATIONS AND/OR PRICE WITHOUT NOTICE.



TABLE OF CONTENTS

WARNINGS AND SAFETY PRECAUTIONS.....	2-5
Table of Contents	6
REGISTRATION, SERVICE AND MAINTENANCE LOG	7
INTRODUCTION.....	8
Burning Pellet Fuel.....	8
Automatic Safety Features.....	8
SPECIFICATIONS.....	9
UNPACKING	9
INSTALLATION.....	10
Stove Placement.....	10
Floor Protection Requirements	10
Clearance to Combustibles.....	11
Venting.....	12
Type of Vent.....	12
Pellet Vent Installation.....	12
Preferred Pellet Vent Termination Clearances.....	12-14
Outside Air Connection.....	15
Mobile Home	15
Venting Installation Examples	16-21
UNDERSTANDING YOUR STOVE	22
BECOMING FAMILIAR WITH YOUR CONTROLLER	22
MAIN OPERATION CONTROLLER SCREEN DISPLAY	23
COMPONENT STATUS SCREEN DISPLAY	24
PRE-OPERATION.....	25
Mounting Your Controller	25
Prior to Starting.....	25-26
OPERATION.....	27
Start-up.....	27
Working in Different Operation Modes.....	27-28
Setting Other Data On Your Controller.....	28-31
DIAGNOSTICS.....	31
SHUT DOWN PROCEDURE.....	31
MAINTENANCE	32
Normal Care and Maintenance	32
Daily Maintenance Tasks.....	33
Weekly, Monthly, and Bi-Monthly Tasks	33-34
TROUBLESHOOTING AND REPAIR.....	35
ORDERING REPLACEMENT PARTS.....	35
TROUBLESHOOTING GUIDE.....	36-37
ILLUSTRATED PARTS BREAKDOWN	38-43
WIRING DIAGRAM	44
EFFICIENCY	45
FIRE SAFETY.....	45
WARRANTY.....	46



Serenity Pellet Stove

ENGLISH

REGISTRATION, SERVICE AND MAINTENANCE LOG

Record the model number and serial number in the space provided for easy reference. Fill out and mail the registration card located in the parts packet or register online at www.castlepelletstoves.com. Warranty is valid only if the completed registration is received by Castle within 30 days of purchase.

OWNERSHIP RECORDS		
Dealer's Name:		
Dealer's Address:		
City:	State/Province:	Zip Code/Postal Code:
Model Number:	Serial Number:	
Date of Purchase:		
Notes:		

SERVICE DATE	SERVICE TECHNICIAN	SERVICE DESCRIPTION



Serenity Pellet Stove

INTRODUCTION

Congratulations on your investment in quality. Thank you for your purchase on a Castle Pellet Stove. We have worked to ensure that this pellet stove meets the highest standards for usability and durability. With proper care, your stove will provide many years of dependable service. Please read entire manual before installation and use.

Burning Pellet Fuel

Ashes need to be removed from the stove periodically. See "Normal Care and Maintenance" section for cleaning procedure. Due to the nature of pellet fuels, this stove will require attention periodically. Regular cleaning is an important part of burning pellet fuel.

Pellets

- This pellet stove is designed and approved to burn wood pellets, that comply with pellet fuels industry standards. Minimum of 40 lbs. density per cubic foot, 1/4" to 5/16" in diameter, with a maximum length of 1-1/2", and less than 1% ash.
- The performance of your pellet stove is greatly affected by the type and quality of wood pellets. As the heat output of various quality wood pellets differ, so will the performance and heat output of the pellet stove.
- Wood pellets are generally produced out of wood waste such as sawdust and shavings. The raw material is dried, mechanically fractioned to size and extruded into pellets under high pressure. Wood pellets need to be protected from direct exposure to water. Water from sources such as condensation and humidity causes pellets to expand and break down into unusable fuel. Keep fuel dry.
- It is important to select and use only pellets that are dry and free from dirt and debris. Dirty fuel will adversely affect the operation and performance of the unit and will void the warranty. The Pellet Fuel Institute (PFI) has established standards for wood pellet manufacturers. Only use pellets that meet or exceed PFI standards for premium fuel pellets. Pellets that contain colored paper, cardboard, solvents, trash, garbage, or other non-woody waste material should be avoided.

Do Not Burn: Garbage; Lawn clippings or yard waste; materials containing rubber, including tires; materials containing plastic; waste petroleum products, paints or paint thinners, or asphalt products; materials containing asbestos; construction or demolition debris; railroad ties or pressure-treated wood; manure or animal remains; paper products, cardboard, plywood, or particleboard.

Clinkers

- Impurities, such as silica (clinkers), will need to be regularly cleaned and removed from the pellet stove. Clinkers will form a hard mass and block airflow through the pot liner. High quality fuels will result in fewer clinkers.

Automatic Safety Features

Power Outage

During a power outage, the stove will shutdown safely. Do not open the main door or ash door. During a power failure the exhaust fan will not run. Keeping the doors sealed will allow the exhaust vent to draft out naturally. When the power is restored, the stove will not restart. If the exhaust temperature is still 120 degrees Fahrenheit when power is restored, the exhaust and room fans will continue to run until the stove cools. See "Operation" section for instructions on restarting the stove.

Overheating

Over Fire Protection: The stove features both electronic and mechanical protection from over-firing and over-temp conditions. To prevent damage to components, the stove will automatically shut down if high limit switch thresholds are met. The exhaust fan will continue to run until the proof of fire switch cools. Allow stove to cool before attempting to re-ignite. If the stove fails to ignite and there are no pellets in the burn pot, it means that the mechanical overtemp switch was also tripped and will need to be manually re-set. See "Operation" section for more information.



WARNING

IF THE ELECTRICAL POWER FAILS ANY TIME WHEN THE STOVE IS HOT, KEEP ALL STOVE DOORS CLOSED. THE AUTOMATIC SAFETY FEATURES MUST NOT BE BYPASSED.



CAUTION

BURNING WOOD PELLETS ACCORDING TO RECOMMENDATIONS WILL ASSURE LONGER STOVE LIFE AND LESS FUEL RELATED PROBLEMS. THE USE OF GRATES OR OTHER METHODS OF SUPPORTING THE FUEL IN THIS STOVE IS PROHIBITED AND WILL VOID ALL WARRANTIES.

SPECIFICATIONS

Model Number	Serenity 41728
Heating Capacity (1)	1,500 sq. ft.
Electrical Rating (2)	120 Volts, 60 Hz
Power Consumption	402 Watts ignition 77 Watts operating
Fuel Storage Capacity	40 lb
Flue Size (3)	3 in.
Width	18.25 in.
Height	34 in.
Depth	23.75 in.
Weight	186 lb

- (1) Based on post 1982 home construction, requiring 35 BTU/Hr. per Sq. Ft. Heat output will vary, depending on the brand, type and quality of fuel and the moisture content. Consult your dealer for best results.
- (2) Install per NFPA 70 and follow all state and local codes, contact licensed electrical contractor for assistance.
- (3) Install per NFPA 211 and follow all state and local codes, contact licensed installers for assistance.

Listing label:



Tested to the following standards: ASTM E1509, ULC S627, and ASTM E2779, ASTM E2515, and CSA B415.1

Glass Specifications:

This stove is equipped with 5 mm ceramic glass. Replace glass only with Castle Pellet Stoves ceramic glass. Call your servicing dealer or Castle at 1-800-345-6007 for replacement parts.



CAUTION

THIS INSTALLATION MUST CONFORM WITH LOCAL CODES. IN THE ABSENCE OF LOCAL CODES YOU MUST COMPLY WITH ASTM E1509, ASTM E2779, ASTM E-2515, CSA B415.1, AND ULC S627.

CASTLE PELLET STOVES, MANUFACTURER OF THIS APPLIANCE, RESERVES THE RIGHT TO ALTER ITS PRODUCTS AND/OR THEIR SPECIFICATIONS WITHOUT NOTICE.

MAKE SURE THE HOPPER IS FREE OF ALL FOREIGN MATTER BEFORE FILLING WITH FUEL. FOREIGN MATERIAL WILL CAUSE AUGER JAMS AND WILL VOID STOVE WARRANTY.

COMPLIANCE NOTE

The Serenity pellet heater, by Castle, meets the U.S. Environmental Protection Agency's emission limits for pellet heaters sold after May 15, 2020.

This wood heater needs periodic inspection and repair for proper operation. It is against federal regulations to operate this wood heater in a manner inconsistent with operating instructions in this manual. This wood heater has a manufacturer-set minimum low burn rate that must not be altered. It is against federal regulations to alter this setting or otherwise operate this wood heater in a manner inconsistent with operating instructions in this manual.

UNPACKING

Your Castle Serenity will come partially assembled. Remove all packing material and tape from the inside of the firebox. Remove any tape on the outside of the glass. Open the hopper, remove all packing material, parts bag, manual bag, firepot, controller assembly, and power cord. A parts bag containing one (1) remote control, one (1) spare fuse, one (1) 13 mm wrench, one (1) 4 mm hex wrench, and four (4) adjustable feet are included for your convenience.

1. Using the 13 mm wrench, remove the four (4) bolts from the bottom of the pallet that secure the stove to the pallet.
2. Install the four (4) adjustable feet to the bottom of the stove.
3. Open the door and install the firepot as shown on page 32 of the operator's manual.
4. Using the 4 mm hex wrench, install the controller assembly according to the instructions on page 22 of the operator's manual.

INSTALLATION

It is recommended the stove be installed and serviced by authorized professionals who are certified by the National Fireplace Institute (NFI) as NFI Pellet Specialists.

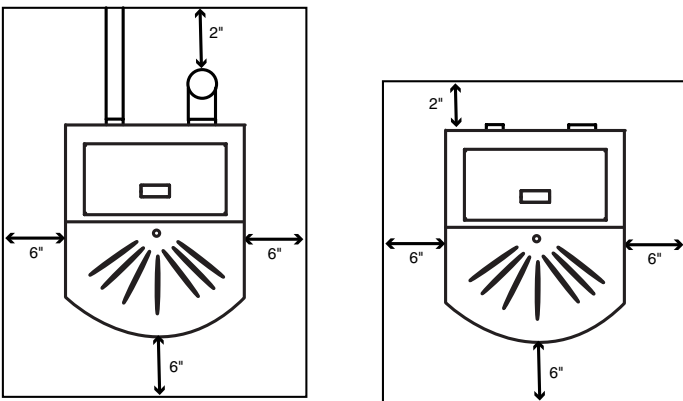
Proper installation of this stove is necessary for safe and efficient operation. Installing this product improperly may result in a house fire and personal injury. All applicable building codes for your location must be followed. In areas where building codes require additional steps to the installation of this product not included in this manual, the building codes will take precedent and must be followed. Contact your local building inspector to obtain any necessary permits or inspection guidelines before installing the product.

Stove Placement

Sketch out a plan for installing the stove including dimensions before permanent placement. When determining the location for the stove, wall stud location is critical. You may need to adjust the location of the stove to avoid trying to vent through a wall stud. Before placing the pellet stove, connect the vent and allow for minimum clearance to combustible walls.

Floor Protection Requirements

The stove must be installed on a noncombustible floor, with proper floor protection, or on a masonry hearth. When a clean out t-vent is installed in the inside of a home, the floor protector must extend 2" beyond rear of t-vent. **SEE FIGURE 1.** When stove is vented straight through the wall and the clean out t-vent is on the exterior of the home, the minimum clearance is 2" from the back of the stove to the wall. **SEE FIGURE 2.** The minimum floor protector material is 24 GA sheet metal.



Figures 1 And 2: Pellet Stove Floor Pad Clearances



WARNING

READ THIS ENTIRE MANUAL BEFORE YOU INSTALL AND USE THIS STOVE. FAILURE TO FOLLOW THE INSTRUCTIONS MAY RESULT IN PROPERTY DAMAGE, BODILY INJURY, OR EVEN DEATH.

DO NOT INSTALL A FLUE DAMPER IN THE EXHAUST VENTING SYSTEM OF THIS UNIT.

DO NOT CONNECT THIS UNIT TO A CHIMNEY FLUE SERVING ANOTHER APPLIANCE.

CHILDREN AND ADULTS SHOULD BE ALERTED TO THE HAZARDS OF HIGH SURFACE TEMPERATURES AND SHOULD STAY AWAY TO AVOID BUMPS TO SKIN AND/OR CLOTHING.

YOUNG CHILDREN SHOULD BE CAREFULLY SUPERVISED WHEN THEY ARE IN THE SAME ROOM AS THE STOVE.

CLOTHING AND OTHER FLAMMABLE MATERIALS SHOULD NOT BE PLACED ON OR NEAR THIS UNIT.



CAUTION

THIS STOVE SHOULD NOT BE USED AS THE ONLY SOURCE OF HEAT IN THE HOUSE. POWER OUTAGES AND PERIODIC MAINTENANCE WILL RESULT IN A TOTAL LOSS OF HEAT.

CONTACT LOCAL BUILDING OR FIRE OFFICIALS ABOUT RESTRICTIONS AND INSTALLATION INSPECTION REQUIREMENTS IN YOUR AREA.

CONTACT YOUR LOCAL AUTHORITY (SUCH AS MUNICIPAL BUILDING DEPARTMENT, FIRE DEPARTMENT, FIRE PREVENTION BUREAU, ETC.) TO DETERMINE THE NEED FOR A PERMIT.

KEEP COMBUSTIBLE MATERIALS (SUCH AS GRASS, LEAVES, ETC.) AT LEAST 3 FEET AWAY FROM THE FLUE OUTLET ON THE OUTSIDE OF THE BUILDING.

INSTALLATION AND REPAIR OF THIS PELLET STOVE SHOULD BE DONE BY A QUALIFIED SERVICE PERSON. THE APPLIANCE SHOULD BE INSPECTED BEFORE USE AND AT LEAST ANNUALLY BY A QUALIFIED SERVICE PERSON. IT IS IMPERATIVE THAT CONTROL COMPARTMENTS, FIRE BOX, AND CIRCULATING AIR PASSAGeways OF THE STOVE BE KEPT CLEAN.

Clearances To Combustibles

NOTE: These are minimum clearances to combustible walls established by the ASTM testing lab. (SEE FIGURES 3, 4, 5, & 6.)

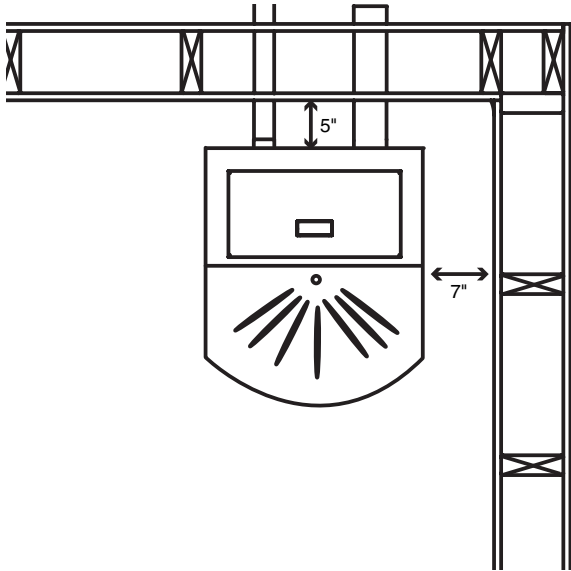


Figure 3: Straight Installation Through Wall

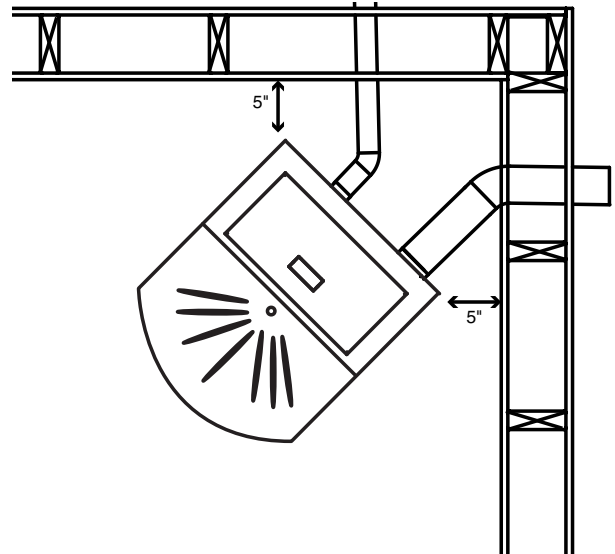


Figure 4: Corner Installation Through The Wall Vents

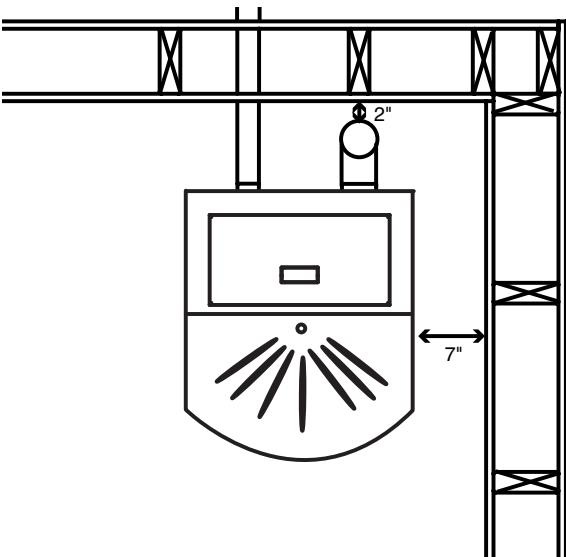


Figure 5: Straight Installation Interior Vertical Vents

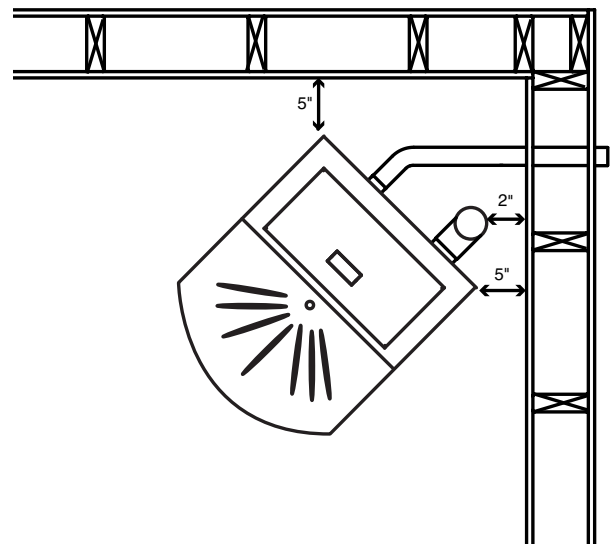


Figure 6: Corner Installation Interior Vertical Vents

NOTE: When interior vent is installed vertically, the clearance to the back wall is determined by the vent size used. Install vent at clearance specified by the vent manufacturer. Take into consideration any upward turning elbows or tees.



Serenity Pellet Stove

Venting

Before venting, consult vent manufacturer's specifications and recommendations for all venting installations.

The following installation guidelines must be followed to ensure conformity with both the safety listing of this stove and to local building codes.

Note: Where passage through a wall, or partition of combustible construction is desired, the installation shall conform to CAN/CSA -8365.

Type Of Vent

The pellet venting pipe (also known as L vent) is constructed of two layers with air space between the layers. This air space acts as an insulator and reduces outside surface temperature of pipe to allow a clearance to combustibles.

A UL listed 3" or 4" type L pellet vent exhaust system must be used for installation and attached to the pipe connector provided on the back of the stove. Use a 3" to 4" adapter for 4" pipe. A cap must be used at the termination of type L vent chimneys. For elevations above 2,500 feet above sea level, a 4" L is required.

Pellet Stove Vent Installation

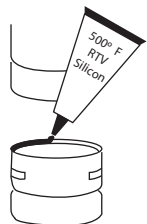
Vent termination **MUST** exhaust above air inlet elevation.

It is required to install at least three feet (3') of vertical pellet vent pipe. This vertical pipe will create some natural draft to prevent the possibility of smoke or odor during appliance shutdown and will keep exhaust from causing a nuisance or hazard from exposure to high temperatures.

The installation must include a clean out tee to enable collection of fly ash and to permit periodic cleaning of the exhaust system.

Total length of horizontal vent must not exceed 10 feet. The maximum recommended vertical venting height is 18 feet.

All joints for pellet vent are required to be fastened with at least three screws and all pellet vent connections (including adapters, elbows, etc.) should be sealed airtight by injecting 500° F. RTV silicone into the gap between sections.



The area where the vent pipe goes through to the exterior of the home must be sealed with silicone or other means to maintain the vapor barrier between the exterior and the interior of the home.



CAUTION

DO NOT CONNECT THIS UNIT TO A CHIMNEY FLUE SERVING ANOTHER APPLIANCE.

DO NOT INSTALL A FLUE DAMPER IN THE EXHAUST VENTING SYSTEM OF THIS UNIT.

DO NOT CONNECT DIRECTLY TO A MASONRY CHIMNEY.

DO NOT TERMINATE VENT IN ANY ENCLOSED OR SEMI-ENCLOSED AREA, SUCH AS; CARPORTS, GARAGE, ATTIC, CRAWL SPACE, UNDER A SUN DECK OR PORCH, NARROW WALKWAY OR CLOSED AREA, OR ANY LOCATION THAT CAN BUILD UP A CONCENTRATION OF FUMES SUCH AS A STAIRWELL, COVERED BREEZEWAY ETC.



WARNING

VENT SURFACES CAN GET HOT ENOUGH TO CAUSE BURNS IF TOUCHED. NONCOMBUSTIBLE SHIELDING OR GUARDS MAY BE REQUIRED.

PELLET VENT MUST MAINTAIN MINIMUM CLEARANCES SPECIFIED BY VENT MANUFACTURER FOR CLEARANCE TO ANY COMBUSTIBLES.

INSTALL VENT AT CLEARANCES SPECIFIED BY THE VENT MANUFACTURER.

ALL VENTING, WHETHER VERTICAL OR HORIZONTAL, JOINTS SHOULD BE MADE GAS-TIGHT WITH RECOMMENDED SEALANTS.

Preferred Pellet Vent Termination Clearances

- The stove vent must terminate on the outside of the building. Horizontal terminations must extend a minimum of 12" from the wall. Vertical terminations must protrude a minimum 24" from the roof surface. **In addition, all clearances listed below must be met. SEE FIGURE 7.**
- Must have an approved cap (to prevent water from entering) or a 45° downturn with rodent screen.
- If the termination is located on a windy side of the house, we suggest using an approved house shield to prevent soot from building up on the side of the house.
- A vent must not be located where it will become plugged by snow or other material.

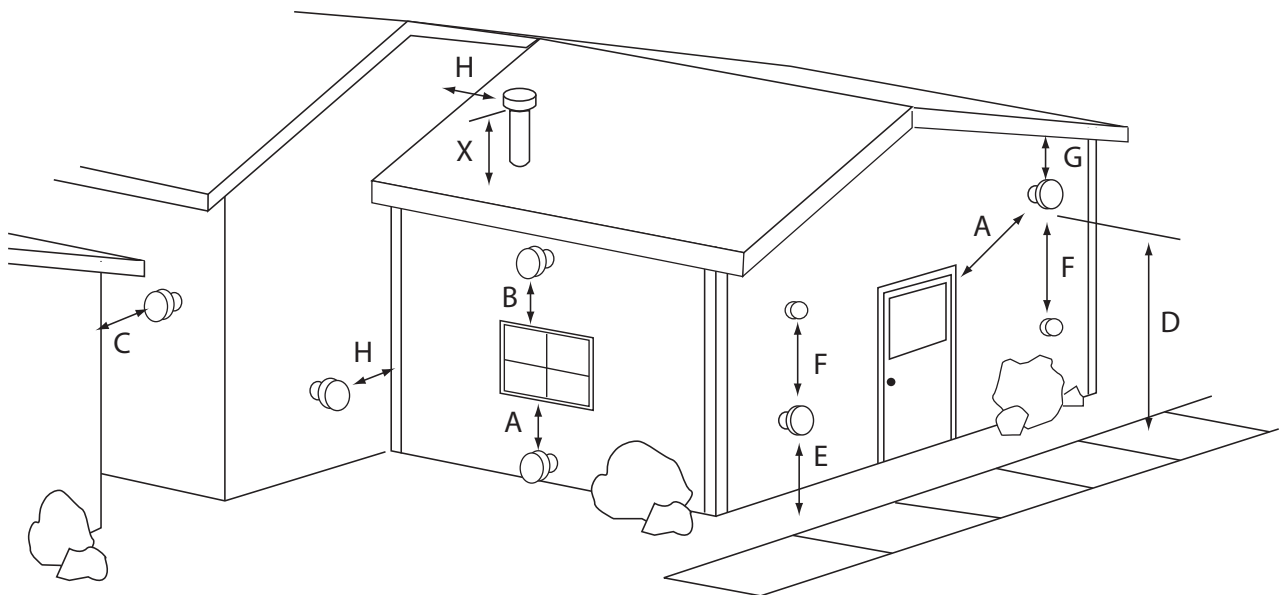


Figure 7: Vent Termination

- A: A Minimum 4' clearance below or beside any door or window that opens. (This clearance may be reduced to 18" if using outside air). We recommend the door or window be kept closed during operation. Minimum 1' clearance below or beside any window that does not open.
- B: Minimum 1' clearance above any door or window that opens.
- C: Minimum 2' clearance from any adjacent building.
- D: Minimum 7' clearance above any grade when adjacent to public walkways.
- NOTE: Vent may not terminate in covered walkway or breezeway.**
- E: Minimum 2' clearance above any grass, plants, or other

combustible materials.

- F: Minimum 3' clearance from any forced air intake of any other appliance.
- G: Minimum 2' clearance below eaves or overhangs.
- H: Minimum 1' clearance horizontally from combustible wall.
- X: Must be a minimum of 2' above the roof.

Venting The Pellet Stove (See Figures 8 through 16.)



CAUTION

MAKE SURE PELLET STOVE IS VENTED CORRECTLY. DO NOT INSTALL FLUE DAMPER IN THE EXHAUST VENTING SYSTEM OF THIS UNIT.

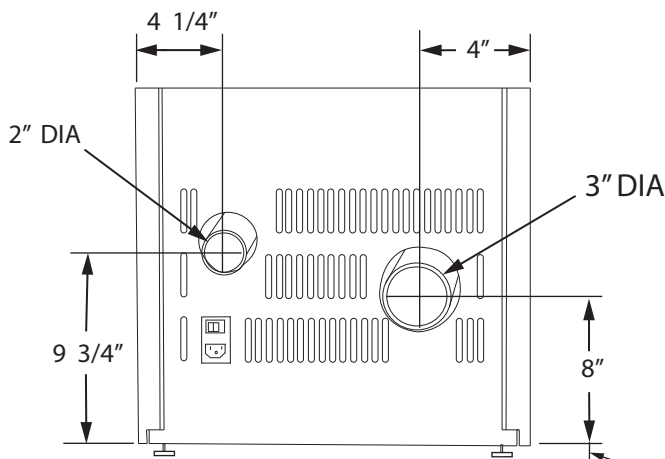
USE AN APPROVED WALL THIMBLE WHEN PASSING THE VENT THROUGH WALLS. USE A CEILING SUPPORT/FIRE STOP SPACER WHEN PASSING THE VENT THROUGH CEILINGS (MAKE SURE TO MAINTAIN CLEARANCE TO ANY COMBUSTIBLES.)

IF USING MORE THAN ONE TEE AND 180° OF ELBOWS, YOU MUST USE 4" VENTING PIPES.

The vent must have a support bracket every 5' of pellet vent when on the exterior of the structure.

The vent height and run must not exceed the distance as illustrated in the diagram below.

Venting into this (the lighter) shaded area may require combustion motor voltage adjustments and/or inlet air adjustments (intake). **SEE FIGURE 9.**



NOTE: THE ADJUSTABLE FOOT PAD CAN ADD UP TO 1 INCH TO HEIGHT MEASUREMENTS DEPENDING ON YOUR INSTALLATION LEVELING REQUIREMENTS. THIS DIMENSION MUST BE ADDED TO THE HEIGHT FOR PROPER INSTALLATION OF VENT PIPES.

Figure 8: Intake and Exhaust Positions

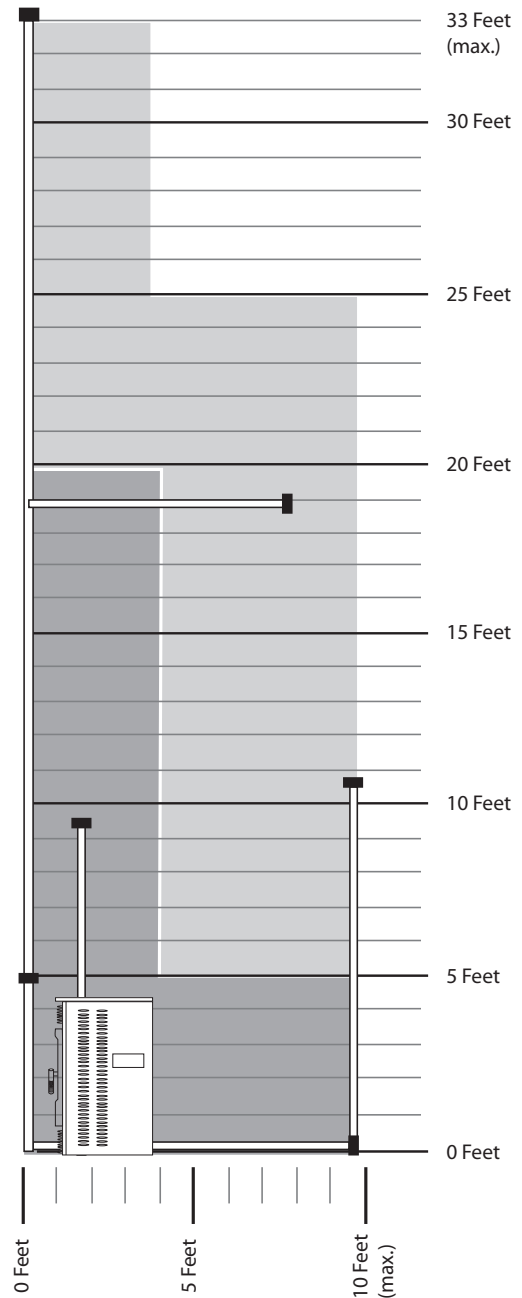


Figure 9: Venting and Combustion Motor Voltage Adjustment Chart



Serenity Pellet Stove

Outside Air Connection

Connection from the intake pipe (2" diameter pipe in rear of stove, See Figure 8) to the outside of the house is **REQUIRED** for mobile home installation. It is recommended in tightly sealed homes with exhaust fans such as kitchen or bathroom fans. This will eliminate poor performance due to negative pressure.

Only noncombustible pipe 2" (or greater) in diameter is approved to use for outside air connections (straight or flexible).

NOTE: PVC pipe is NOT approved and should NEVER be connected to the stove.

HINT: A Castle Pellet Stove air inlet will accept automotive exhaust pipes and couplers

If the air inlet is connected to the outside, it **MUST** be terminated with a vertical 90° bend (down) or with a wind hood. Failure to do so could result in a burn back during high winds blowing directly up the air inlet during a simultaneous power failure.

Blockage, excessive length, or extra bends in the air intake pipe will starve the stove of combustion air. A 90° bend is equivalent in restriction to approximately 30" of straight inlet pipe.

Mobile Home

Installation in a mobile home should be in accordance with the manufactured home and safety standard. *Department of Housing and Urban Development (HUD) CITE: 24CFR3280.707* stating this stove must be vented to the outside. In addition to the standard installation instructions, the following requirements are mandatory for installation in a mobile home:

1. The stove must be permanently attached to the floor.
2. Stove must have an outside air source.
3. Stove must be electrically grounded to the steel chassis of the mobile home.
4. All vertical chimney vents must have wall supports.
5. All exhaust systems must have a spark arrestor.
6. Check with local building officials to see if other codes may apply.



WARNING

CARBON MONOXIDE POISONING HAZARD. DO NOT CONNECT TO ANY AIR DISTRIBUTION DUCT OR SYSTEM. DO NOT INSTALL IN A SLEEPING ROOM.



CAUTION

THE OPERATION OF EXHAUST FANS SUCH AS BATHROOM FANS, ATTIC FANS, ETC. MIGHT STARVE THE PELLETT STOVE OF COMBUSTIBLE AIR CREATING A NEGATIVE PRESSURE IN THE ROOM. PROVIDE ADEQUATE VENTILATION IN THE ROOM ACCOMPANYING THE PELLETT STOVE. IF NOT, THE PRESSURE SWITCH MAY SHUT OFF OPERATION OF THE PELLETT STOVE.

THE STRUCTURAL INTEGRITY OF THE MANUFACTURED HOME FLOOR, WALL, AND CEILING/ROOF MUST BE MAINTAINED.

SIMPLE STOVE VENTILATION EXAMPLES

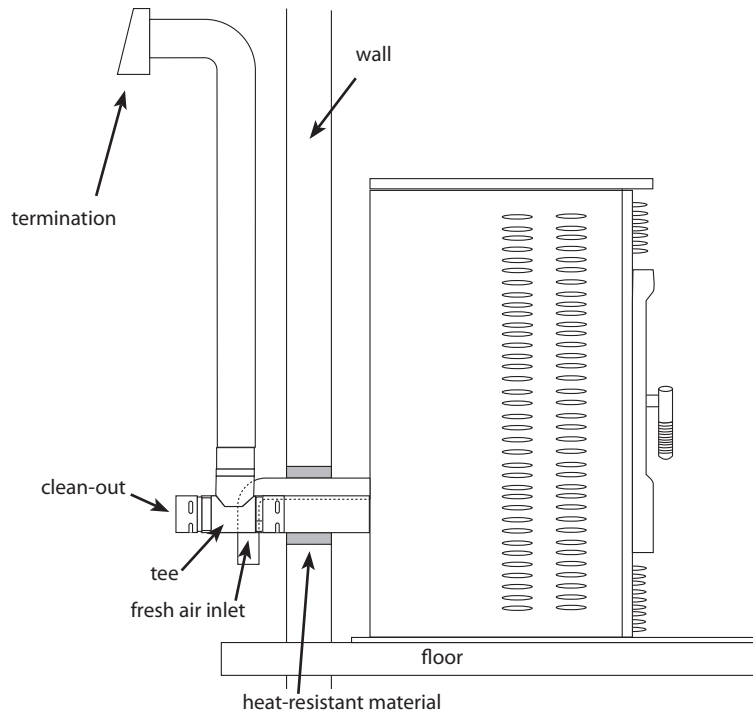


Figure 10: Straight Installation—Outside Vertical Rise, Horizontal Termination

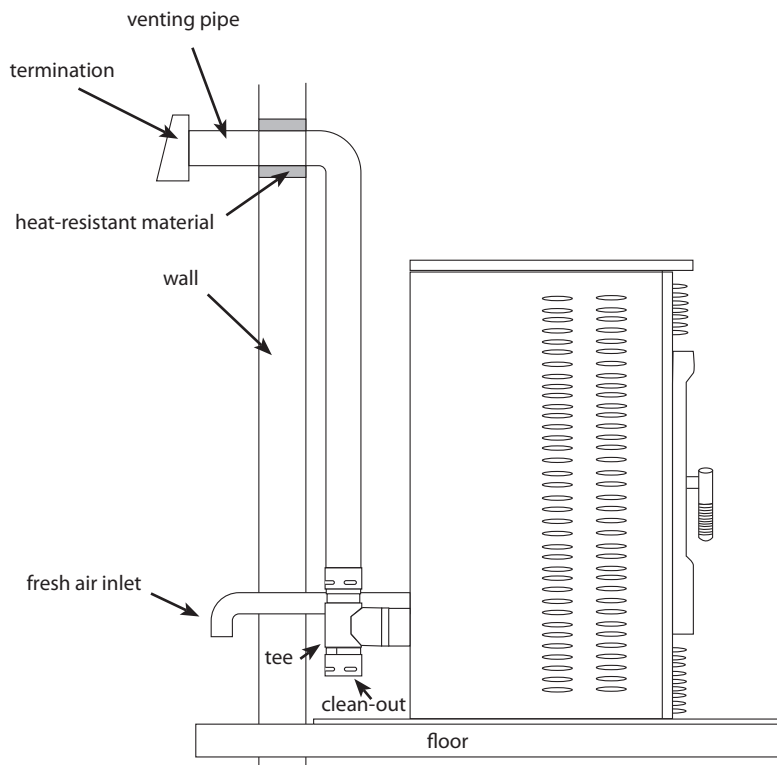
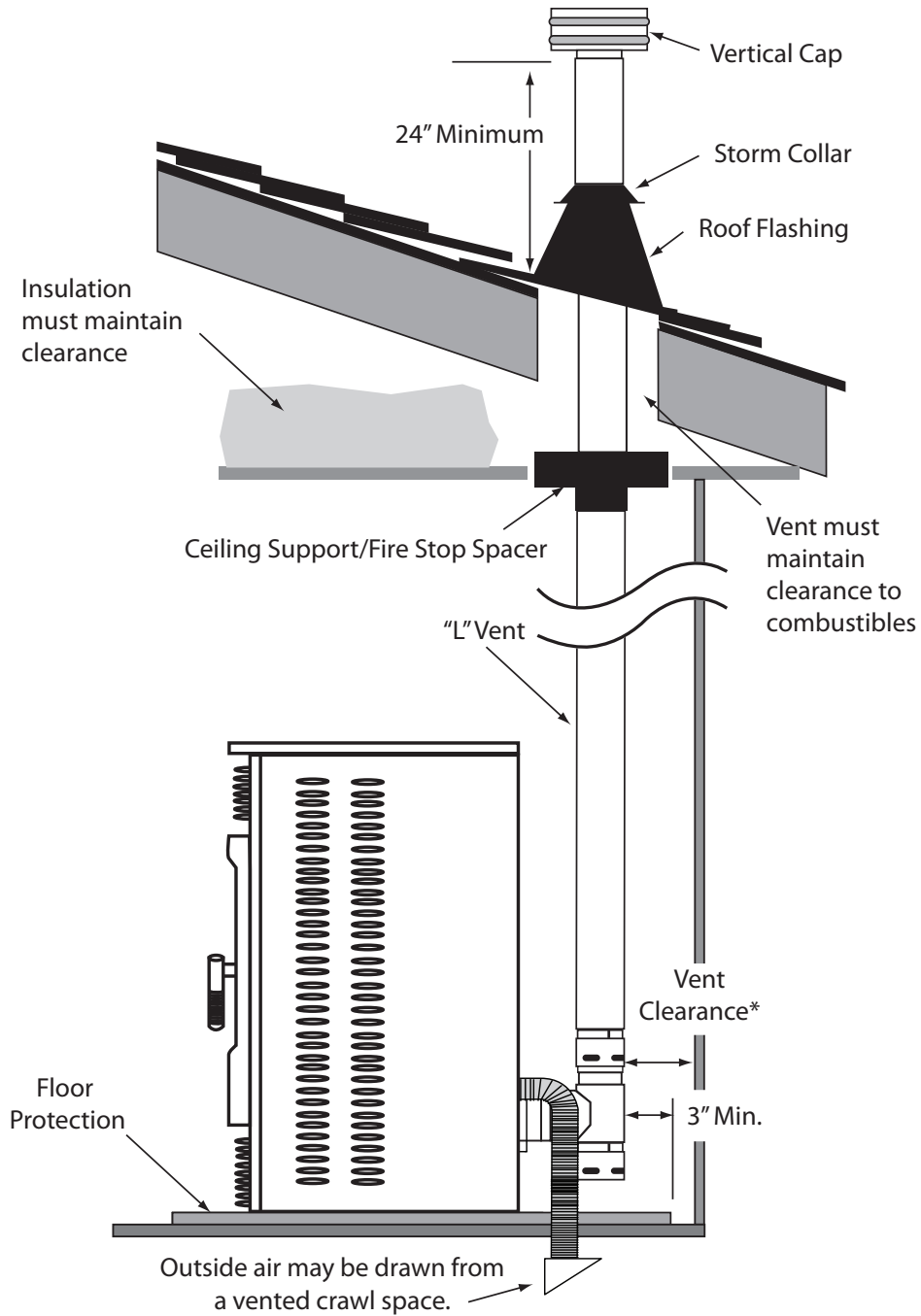


Figure 11: Straight Installation—Inside Vertical Rise, Horizontal Termination

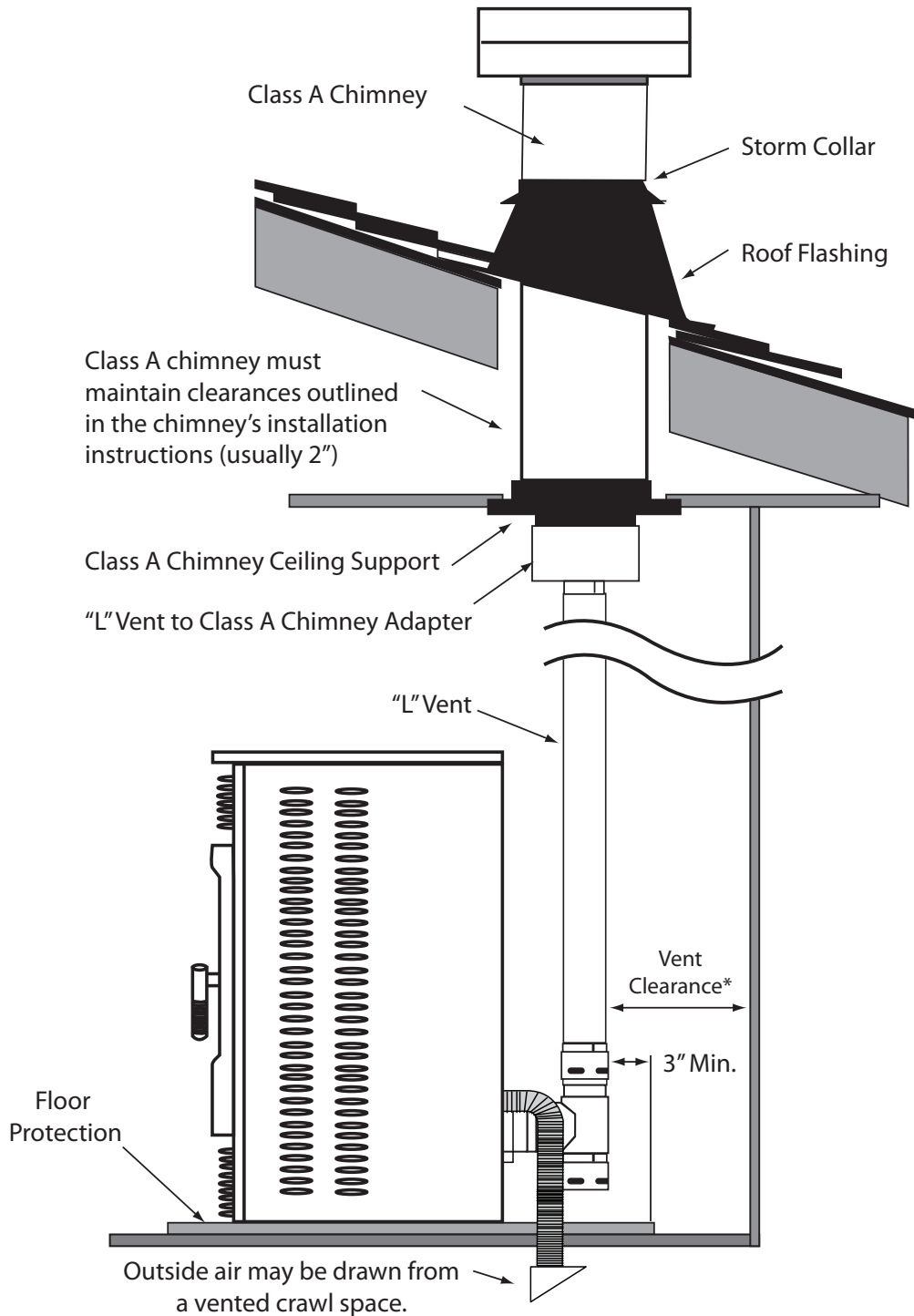
COMPLEX STOVE VENTILATION EXAMPLES



* Install a vent at clearance specified by the vent manufacturer

Figure 12: Interior Vertical Installation

CLASS A CHIMNEY RETROFIT



* Install a vent at clearance specified by the vent manufacturer

Figure 13: Class A Chimney Retrofit

MASONRY FIREPLACE HEARTH STOVE

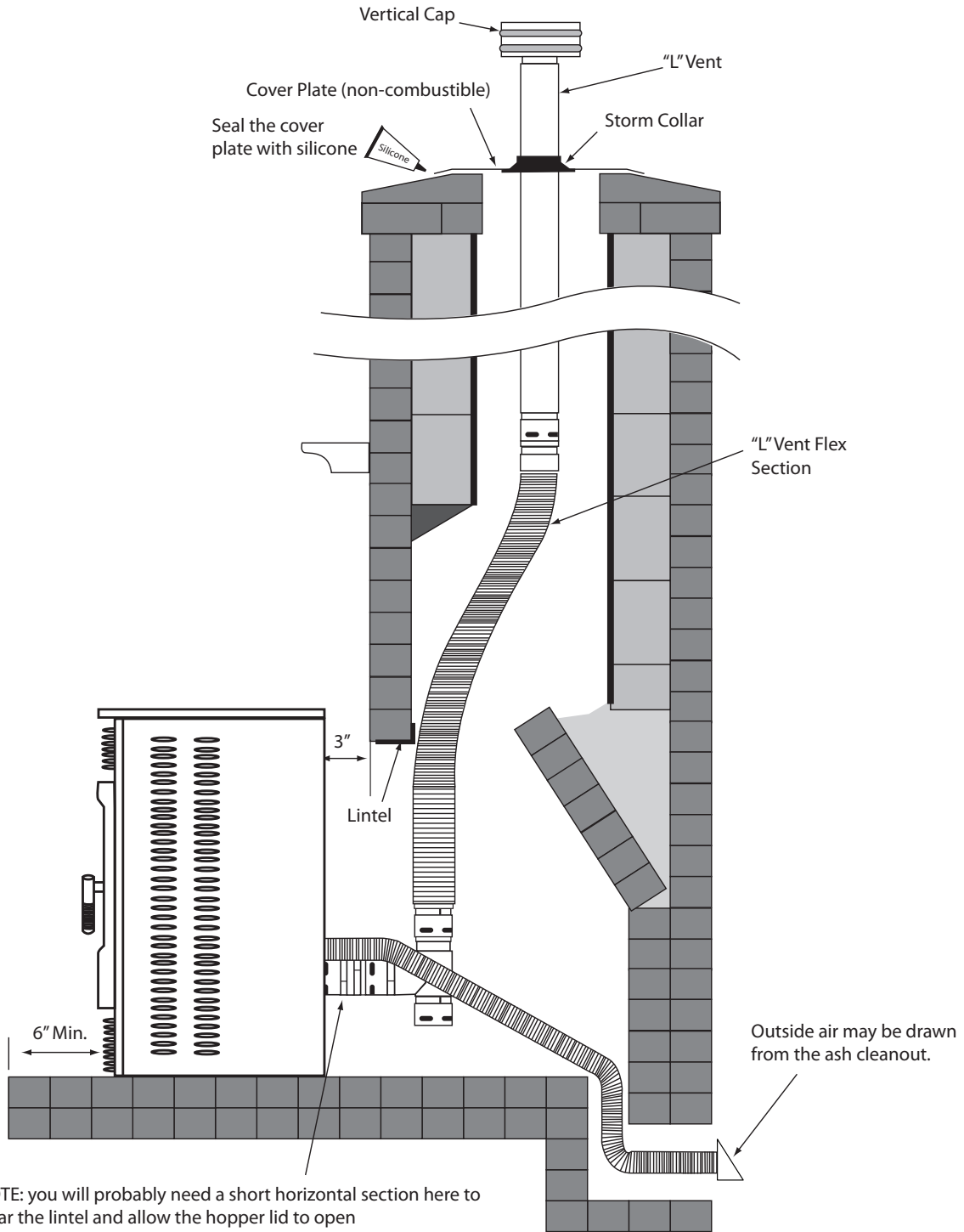


Figure 14: Masonry Fireplace Hearth Stove

ZERO-CLEARANCE (METAL) FIREPLACE HEARTH STOVE

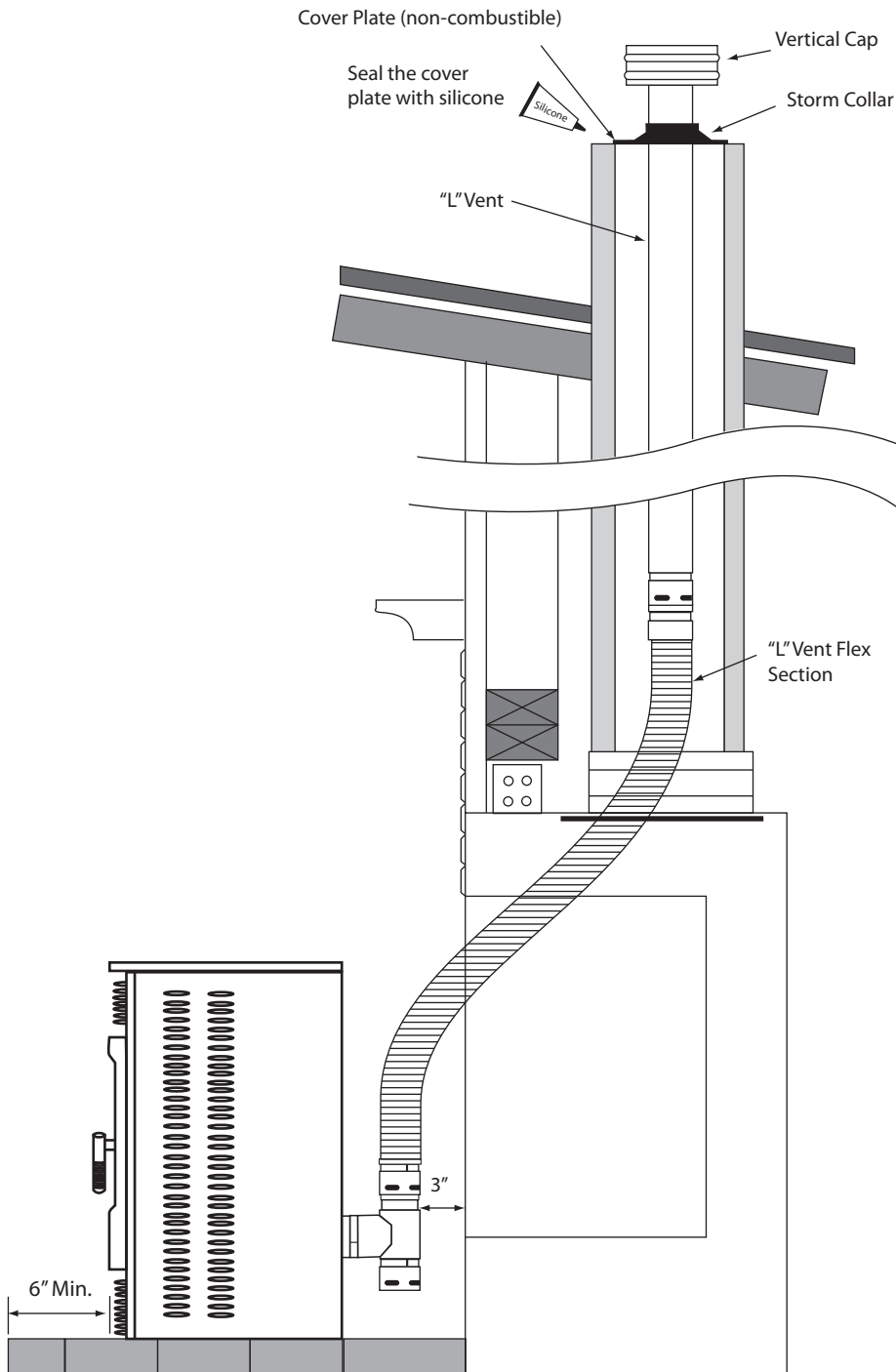


Figure 15: Zero-Clearance (Metal) Fireplace Hearth Stove

FREESTANDING MASONRY CHIMNEY

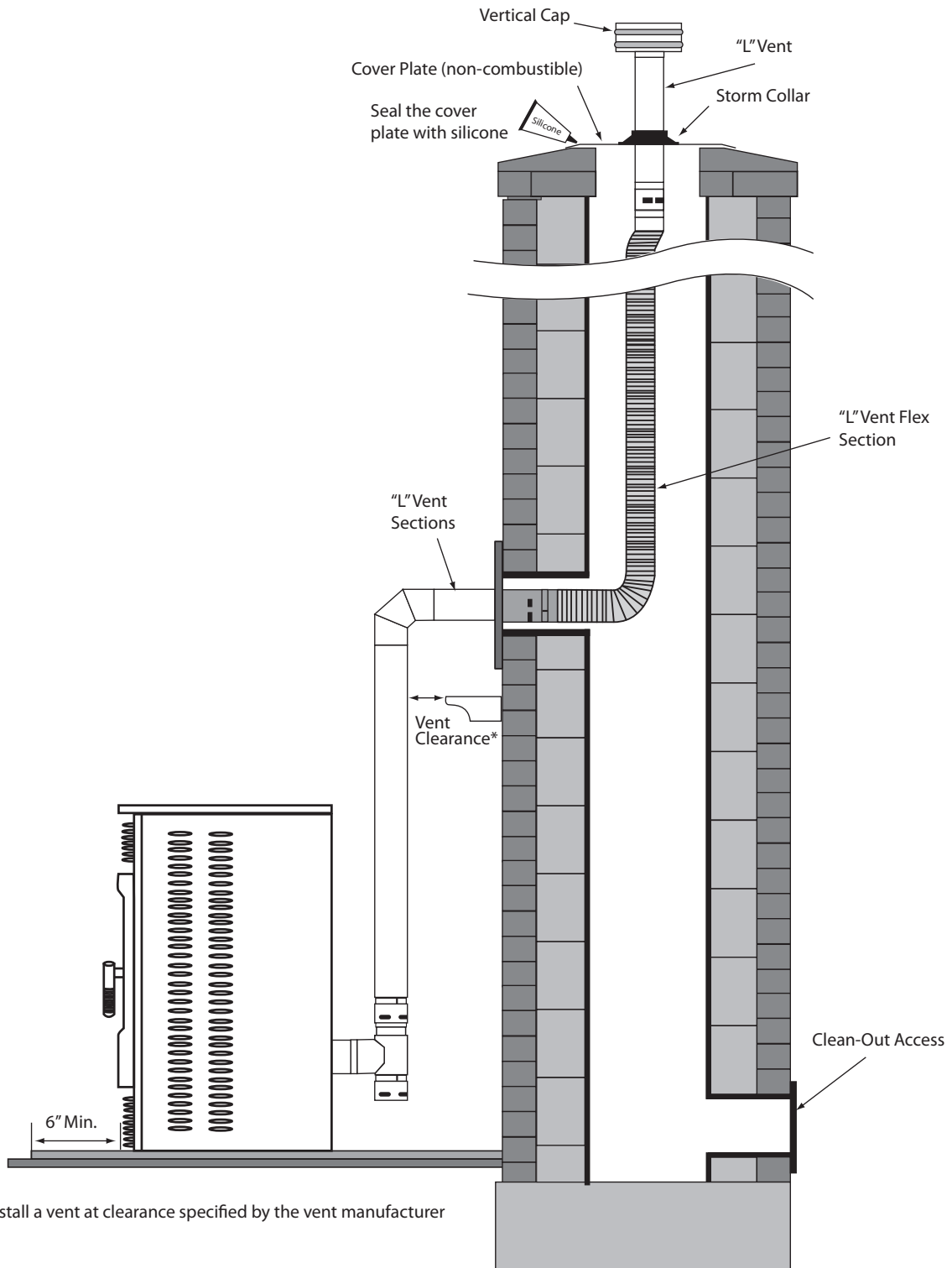


Figure 16: Freestanding Masonry Chimney

UNDERSTANDING YOUR STOVE

Your Castle Pellet Stove utilizes a vertical auger fuel feed system that is operated by a microprocessor controlled digital circuit board. The digital circuit board allows the vertical auger fuel system to run in a timer based, non-continuous cycle; this cycling allows the auger to run for a predetermined amount of time. The auger pushes pellets up a chute located in the hopper. The pellets will then turn and fall through another chute into the burn pot. Your stove is equipped with an automatic ignition system that should ignite the fuel within 5 minutes of pressing the On/Off button. As pellets fill the burnpot and ignite, outside air is drawn across the fuel and heated during the combustion process which is then pulled across the heat exchanger by the exhaust motor or the draft fan. As the stove reaches operating temperature, room air is then circulated around the heat exchanger by a room air blower, distributing warm air into the room.

The amount of heat that is produced by the stove is proportional to the rate of fuel that is burned.

Because a forced draft pressure is required for the combustion process inside your stove, it is extremely important that the exhaust system be properly installed and maintained. Also, the doors must remain closed while in operations and the seals on the doors must be properly maintained.

BECOMING FAMILIAR WITH YOUR CONTROLLER

Controller Buttons (SEE FIGURE 17 & 18)

1. **Infrared Receiver:** Receives signal from remote control.
2. **Power Indicator** - Illuminates when the main power switch is on.
3. **Alarm Light** - Illuminates if stove is not operating properly.
4. **On/Off Button** - Starts and stops operation of stove.
5. **Screen Scroll Button** - Allows you to switch between main screen and component status indicator screen.
6. **Mode Transfer Button** - Allows you to set the unit to one of three main mode settings: Manual, Temp, and Weekly.
7. **Hold Button** - Pressing the "Hold" button in weekly mode after raising the "Call To" temperature will maintain that temperature until the button is pressed again or the stove is shut down.
8. **Scroll Up Button** - Allows you to scroll up to choose items in the menu.
9. **Exit Button:** Takes you out of current selection and returns to previous option and/or screen. When entering data, pressing the EXIT button will also delete your entries.

10. **Scroll Down Button** - Allows you to scroll down to choose items in the menu.
11. **Enter Button** - Pressing "Enter" button allows you to adjust and select data on the screen. Pressing the ENTER button for two seconds will take you to a main menu screen in which you'll have the ability to change the time, date, temperature display, Eco mode, weekly operation schedule (for Weekly Mode only) and combustion motor and voltage settings.



Figure 17: Control Pad Key



Figure 18: Control Pad Location

MAIN OPERATION CONTROLLER SCREEN DISPLAY

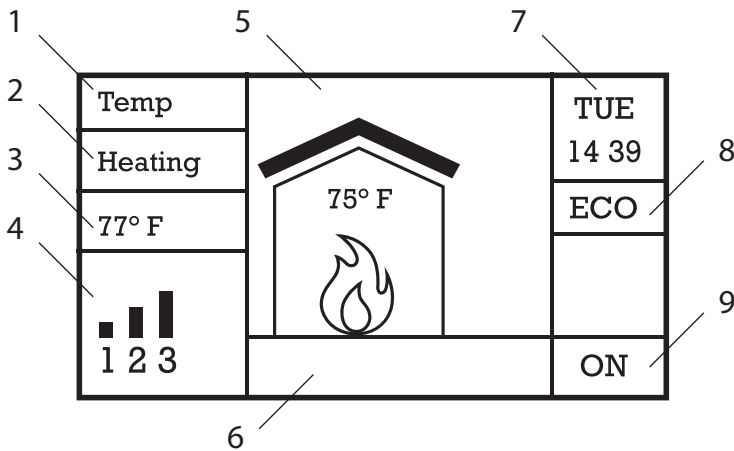


Figure 19a: Main Operation Control Screen

Figure 19a: Main Operation Controller Screen Display

1. **Heating Mode:** Displays operation mode - manual, temperature, or weekly.
2. **Work Stage:** Displays operational stage in which the stove is currently operating (e.g. ignite, heating, shutdown).
3. **Call To Temperature:** Displays desired room temperature set by user. This is only visible in the Temperature and Weekly modes.
4. **Heating Power Level:** Indicates the heating level at which the stove is operating. Levels are 1-5 with 1 being lowest. Heating level is only relevant in manual mode.
5. **Room Temperature:** Displays current room temperature being registered by the onboard stove thermostat.
6. **Message/Alert Panel:** Displays alerts and any relevant status messages.
7. **Day/Time:** Displays the set day of week and time.
8. **Eco Mode:** Displays whether Eco Mode is currently activated. Activating Eco Mode allows the stove to fully shut down and restart while in Temperature Mode as opposed to cycling between high and low settings.
9. **On/Off Indicator:** Indicates whether the stove is on and in Operation Mode or shut down / in the process of shutting down.

COMPONENT STATUS SCREEN DISPLAY

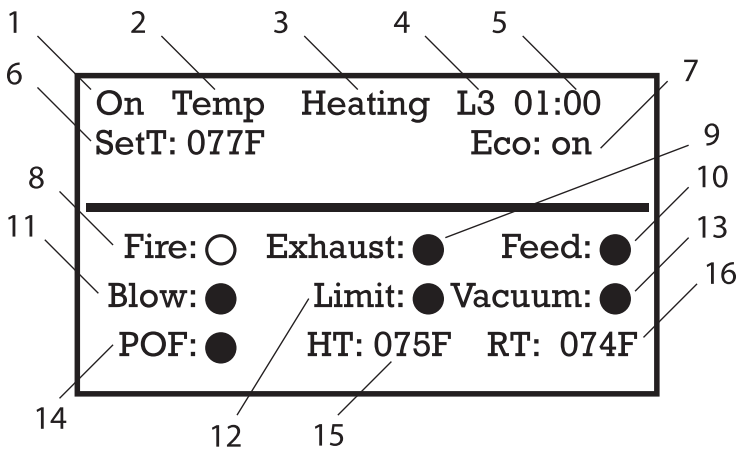


Figure 19b: Component Status Screen

Figure 19b: Component Status Screen Display

1. **On/Off State Indicator:** Indicates if the stove is on and in operational mode or if it is in the process of shutting down.
2. **Main Mode:** Displays operation mode – manual, temperature, or weekly.
3. **Work Stage:** Displays operational stage in which the stove is currently operating (i.e. ignite, heating, fireoff, etc.)
4. **Heating Power Level:** Indicates the level of power at which the stove is currently heating.
5. **Time:** Displays current time set on the controller.
6. **Call To Temperature:** Displays the current call to temperature setting (desired room temperature).
7. **Eco Mode Indicator:** Indicates if Eco Mode is on or off.
8. **Igniter Indicator:** Indicates igniter is active and stove is in the ignition stage.
9. **Exhaust Fan Indicator:** Indicates the exhaust fan is running to feed air to the firebox.
10. **Auger Indicator:** Indicates auger is feeding pellets.
11. **Room Blower Indicator:** Indicates room blower is running and the fan is heating the room.
12. **Hopper Lid Indicator (Limit Indicator):** If lit, indicates the hopper lid is closed.
13. **Vacuum Indicator:** Indicates there is vacuum pressure in the stove firebox.
14. **Proof of Fire Indicator:** Indicates that the proof of fire switch is triggered and that the stove is sensing exhaust temperatures indicative of there being a sustainable fire in the firebox.
15. **High Temperature:** Displays the highest temperature monitored during the stove's current operational session.
16. **Room Temperature:** Displays current room temperature.

Note: Access screen by pressing Screen Scroll Button (5, Figure 7).

PRE-OPERATION

Once the stove has been properly installed and plugged into a grounded surge protector you are ready to begin operation.

Mounting Your Controller

Mount the controller and the controller bracket to top and back of your stove using the hardware that accompanied the controller. **SEE FIGURE 18.**

Prior To Starting

Turn on the main power switch located on the back of the stove. **SEE FIGURE 20A.**

NOTE: If for some reason the stove does not appear to be powering on, there is a fuse located just below the power switch that can be checked. SEE FIGURE 20B. There is a spare fuse located in the fuse holder.

Make sure the hopper is clean and free of foreign matter including pellet fines and dust.

Fill the hopper with wood pellets, making sure that NO parts of the bag or any foreign objects enter the hopper as this may cause harm to the auger feed system. **SEE FIGURE 21.**

Also take care in making sure there is no pellet material in the hopper lid seating surfaces.

Close the lid. This stove has a safety switch that will not allow pellets to feed with the hopper door open.

Make sure the main glass door is closed. The stove has a safety switch that will not allow the stove to feed fuel unless there is negative draft pressure inside the stove.

Before starting your Castle Stove, you will need to determine in which mode you would like to run the stove. The Serenity can operate in three modes:

1. **Manual:** Under this mode, you can personally adjust and set the heating phase to control the heat level.
2. **Temperature Control:** Under this mode, you can set the room temperature and the stove will automatically fluctuate between the highest and lowest burn setting to ensure the room is at the desired call-to temperature. When used with the Eco Mode setting activated, the stove will automatically adjust to maintain the desired call-to temperature and will fully shut down if that temperature is exceeded and restart when room temperature drops sufficiently below the call-to temperature. Temperature Mode allows you to set the temperature of the room. The stove will then automatically adjust to maintain the desired room temperature. Exactly how the stove adjusts depends on whether temperature mode is being used in conjunction with Eco Mode.
 - **Temperature Mode without Eco Mode:** The stove will fluctuate between high and low heat settings to automatically achieve and maintain the desired room temperature. The stove will not fully shut down if desired



WARNING

NEVER USE FLAMMABLE LIQUIDS SUCH AS GASOLINE, GASOLINE TYPE LIGHTER FUEL, CHARCOAL LIGHTER FUEL OR FIRE STARTING GELS IN OR AROUND THIS STOVE. KEEP ALL SUCH LIQUIDS WELL AWAY FROM THE STOVE WHEN IT IS IN USE.

NEVER OPEN SIDE PANELS OR MAIN DOOR WHEN STOVE IS IN OPERATION.

NEVER TOUCH DOOR LATCHES WHILE IN OPERATION, THEY GET EXTREMELY HOT. NEVER OPEN GLASS DOOR WHILE STOVE IS OPERATING OR WHILE STOVE IS HOT.

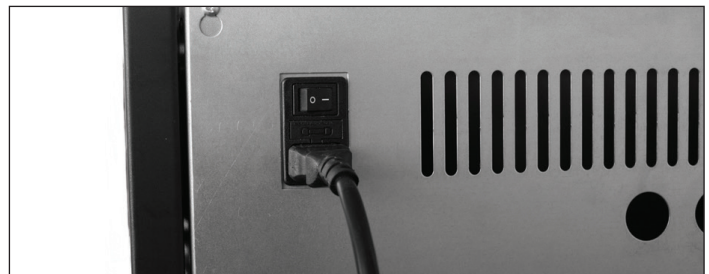


Figure 20a: Main power switch



Figure 20b: Main power switch

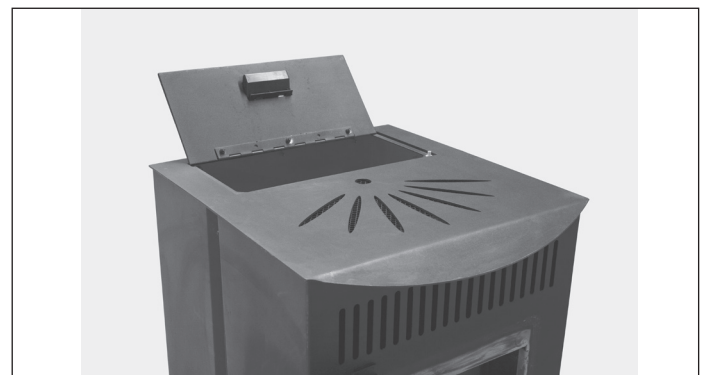


Figure 21: Pellet load



room temperature is exceeded. This is sufficient for most users and has the benefit of preserving life cycle on the igniter.

• **Temperature Mode with Eco Mode:** The stove will adjust heating levels to maintain the desired room temperature. If room temperature exceeds the desired call-to temperature by a sufficient amount, the stove will fully shut down (though fans will continue to blow to vent exhaust and cool the stove). Once room temperature drops sufficiently below the desired room temperature, the stove will automatically re-ignite to heat the room. Eco Mode is specifically designed for those using the stove in smaller spaces or in very well insulated spaces that can be prone to overheating even on the lowest heating level. Note that use of Eco Mode will reduce the lifespan of your igniter as it will see more usage than it does when used without Eco Mode..


3. **Weekly:** Under this mode, the stove will work automatically during days and times you designate. You can have a program for each of the seven days of the week and four periods during the day.

You must select your mode before turning on the stove.

Selecting a mode while the stove is burning can cause the stove to shut down and may force a 30-minute delay in restarting.

You do not need to start operation of the stove to select your mode. To choose the mode, select the mode transfer button (6, Fig. 17).

OPERATION

After you have chosen the mode in which to operate your stove, press the **ON/OFF** button  (4, Fig. 17) to start the stove ignite cycle.

Start Up



When the stove turns on, the ignition indicator and the exhaust blower indicator will appear on the screen (6 and 7, Fig. 19b). "Ignite" will also appear in the work stage box (2, Fig. 19b) on the screen. After approximately four seconds, the vacuum switch indicator (11, Fig. 19b) will appear. Also note that the hopper lid open indicator (limit indicator) (10, Fig. 19b) will appear anytime the stove's hopper lid is properly shut and sealed.

The stove exhaust blower will continue to run for three minutes, then the auger indicator (8, Fig. 19b) will flash on the screen, indicating that the auger is feeding pellets into the stove. Within five minutes of the auger feeding pellets, a fire should ignite. Once a fire is lit, the work stage box on the screen will read "Heating".

Working in the Different Operation Modes:

Manual Mode

The Manual Mode is the default mode setting if no other mode is chosen before the stove is turned on. In the manual mode, you have the ability to change the heat levels, which will increase or decrease the amount of heat that the stove puts out.

To change the power level in manual mode, use the scroll down or scroll up buttons   on the control pad. (See buttons 8 and 10 on Figure 17.) Pressing either of these buttons once will move the power level up or down one level.

NOTE: *This mode does not allow you to directly adjust specific temperatures. The manual mode simply allows you to dictate the level of heat the stove is pushing out.*

Temperature Control Mode

Temperature Mode allows you to set the desired temperature of the room. The stove will make automatic heat level adjustments in order to maintain the desired room temperature. If the room temperature falls below the "call to" temperature, the stove's heat power level indicator will automatically rise to five. When the temperature has been reached, the heat power level will return to one and it will stay there until more heat is needed.

When using Temperature Mode in conjunction with Eco Mode, the stove will operate in the same manner as regular Temperature Mode, but it will fully shut down if room temperature sufficiently exceeds the desired "call to" temperature and automatically re-ignite when room temperature drops sufficiently below the desired "call to" temperature.



WARNING

NEVER SHUT THE STOVE DOWN BY UNPLUGGING IT FROM THE POWER SOURCE.
NEVER SHUT THE STOVE DOWN BY SWITCHING OFF THE MAIN POWER SWITCH ON THE REAR OF THE STOVE.
NEVER OPEN SIDE PANELS OR MAIN DOOR WHEN STOVE IS IN OPERATION.
NEVER TOUCH GLASS DOOR AND ASH PAN LATCHES WHILE IN OPERATION, THEY GET EXTREMELY HOT AND WILL BURN YOU.


To increase or decrease the "call to" temperature, use the **SCROLL UP** or **SCROLL DOWN** button (8 and 10, Fig. 17). The current room temperature will be displayed in the temperature display box (5, Fig. 19a) on the screen, as will the "call to" temperature (3, Fig. 19a).

Weekly Mode

The Weekly Mode allows an Serenity user to control and schedule the stove operation during set times and days throughout the week. You can select four different operation times for each of the seven days of the week.

IMPORTANT: Remember to set your weekly schedule in **Weekly Mode** before igniting a fire. If you try to set the stove schedule and weekly mode while running in **Manual** or **Temperature** modes, the weekly schedule will not set, and the screen will prompt you to wait until you have turned the stove off and it has cooled down before setting the schedule.

To Set Weekly Schedule:

1. Press and hold the **ENTER**  button (11, Fig. 17) until the "Set Data" menu appears on the screen. Using the **SCROLL DOWN** button (10, Fig. 17), select "Set Weekly." Press **ENTER**. This will take you into the "Weekly Schedule" screen. **SEE FIGURE 22.**

SET DATA

1. General
- 2. Set Weekly
3. Fan Settings
4. Set Eco

Figure 22: Set Data

Serenity Pellet Stove

- In the **"WEEKLY SCHEDULE"** screen, you can begin with setting the operation times for Sunday. Press **ENTER** to highlight the hour and use the **SCROLL UP** and **SCROLL DOWN** buttons until you reach your desired hour of start time. Press **ENTER** again to highlight the minutes and use **SCROLL UP** and **SCROLL DOWN** until you've reached your desired minute of start. **SEE FIGURE 23.**

NOTE: Your Serenity controller uses 24 hour time to set your weekly schedule.

- Pressing **ENTER** again will allow you to set the stop time of your stove. Use the same procedure for setting your stove's start time for selecting when you would like the stove to stop. Once you've selected the stop time, press **ENTER**.
- Next you will have the opportunity to set the desired temperature. Use the **SCROLL UP** or **SCROLL DOWN** keys until you've reached the appropriate temperature for the times you have selected. Press **ENTER**.
- "Yes"** will now be highlighted. If you have set this particular time correctly, press **ENTER**. This will take you out of your first set time.

If you wish to erase a scheduled time, use your **ENTER** key to highlight **"YES"** on the screen for that scheduled time. Select **"No"** using your **SCROLL UP** or **SCROLL DOWN** key. With **"No"** highlighted, press **ENTER** to erase the data.

- To set another time for that particular day, press **SCROLL DOWN** and continue by repeating steps 2-5 as appropriate.

NOTE: You must set your times in chronological order. The first schedule slot of one day MUST be earlier in the day than the second schedule slot on your weekly schedule list, etc.

- Once you have set all times for Sunday, **SCROLL DOWN** to **"NEXT"**. Pressing **ENTER** once will highlight **"NEXT"**. Pressing **ENTER** again will take you to the following day. Proceed with setting a schedule for the rest of the week using the preceding instructions.

NOTE: If you have set a particular schedule for a day and would like to apply that to the rest of the days of the week, you can navigate to "All" in the top-right corner of the screen using the arrow keys, press ENTER to highlight, and then press ENTER again to save and apply to all other days of the week.

TIP: If at any point you need to leave the weekly schedule screen or once you have finished with setting all of your times, select the EXIT button (9, Fig. 17) to return to the previous menu.

- Once you've finished setting your schedule, without any of the options highlighted, press the **EXIT** button. This will save your schedule.
- With a schedule set, make sure that the "heating mode" field (1, Fig. 19a) on the main display screen on the controller reads **"WEEKLY"** (for operating in the Weekly Mode) and that the unit is turned on. The schedule will not take effect unless the unit is turned on and set to the Weekly Mode.

Setting Other Data On Your Controller

Setting The Time, Day, Temperature Units, And Language

- Press and hold the **ENTER** button. This will take you to the **"SET DATA"** screen.
- Press **ENTER** again to enter the **"GENERAL"** screen. **SEE FIGURE 24.**
- To change the hour, press **ENTER**. This will highlight the hour. Use your **SCROLL UP** and **SCROLL DOWN** buttons to choose the appropriate time. Press **ENTER** to select the correct hour, and then press **ENTER** a second time to begin setting the minutes.
- Continue this process for selecting and setting the day, temperature units, and language.
- When finished, and with nothing highlighted on the screen, press the **EXIT** button.

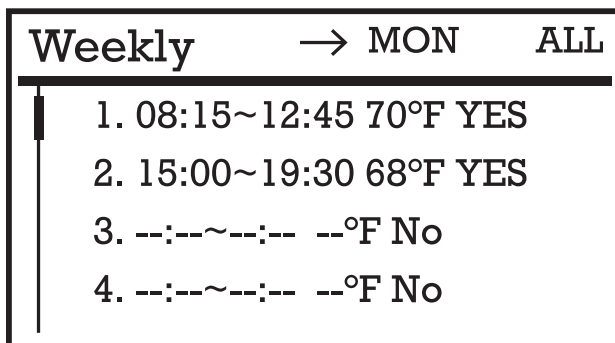


Figure 23

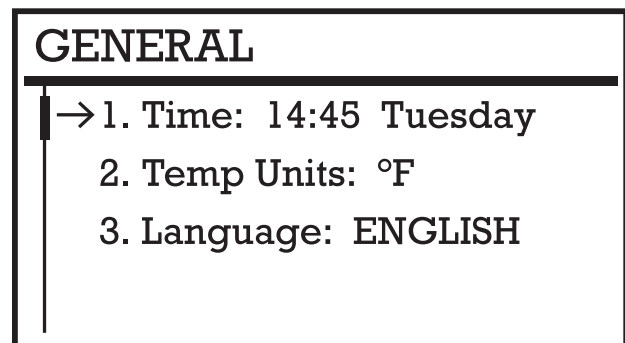


Figure 24

Setting The Room Blower Voltage

The blower voltage (controlling the room fan) can be turned up or down for each power level to regulate the amount of heat circulated into a room during stove operation. Some fuels radiate heat better than others. You have the ability to speed up or slow down the room fan to extract the optimum amount of heat without blowing cold air.

Increasing the room blower voltage causes the room motor to run faster, extracting more heat from the unit.

NOTE: If having issues with the stove overtemping in any setting, increase the blower voltage.

Decreasing the blower voltage allows you to slow the exchange of heat from the stove so it blows less cold air.

To Set The Room Blower Voltage:

1. Press and hold the **ENTER** button. This will take you to the **"SET DATA"** screen.
2. Using the **SCROLL DOWN** key, move down to option 3: **"FAN SETTINGS"**. Press **ENTER** again to move into the **"COMBUSTION"** screen. **SEE FIGURE 25.**
3. To select the stall (or heating power level) you'd like to change voltages on, press **ENTER** to highlight the heating level field and use the **SCROLL UP** or **SCROLL DOWN** buttons to select your heating level. Press **ENTER** to complete heating level selection.

NOTE: Heating levels will be indicated as H01 (heating level 1) through H05 (heating level 5). Blower voltages are not applicable to the IG01 through IG03 ignition cycles.

4. Use the **SCROLL DOWN** button to scroll down to the "Blower Voltage" field and press **ENTER**.
5. Use the **SCROLL UP** or **SCROLL DOWN** to adjust voltage level.

NOTE: Voltage levels are assigned a 1 through 8 numerical value. 1 represents the lowest voltage (slowest fan speed) and 8 represents the highest voltage (fastest fan speed).

6. Press **ENTER** to finalize your changes. Repeat steps 3-5 for other stalls as desired.
7. When finished, and with nothing highlighted on the screen, press the **EXIT** button.

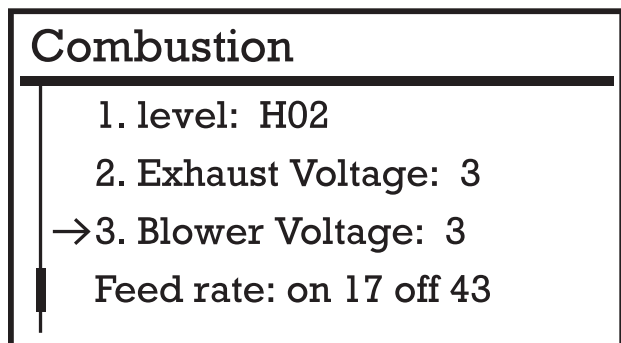


Figure 25

Setting The Exhaust Voltage

IMPORTANT NOTE:

ADJUST THE AIRFLOW GATE BEFORE INCREASING THE EXHAUST VOLTAGE. If you are having issues with getting enough air to your fire, **FIRST** try to adjust the air flow gate. SEE FIGURE 26. This will also adjust the air flow to the stove. In most installations, the air flow gate should be 1/2 open. this is best viewed from the front of the stove with the fire pot removed.

The exhaust voltage (controlling the exhaust motor) allows you to adjust the stove for the fuel you are burning or compensate for inadequate ventilation situations. In less than optimum venting situations, you can increase the exhaust speed for additional air circulation through the stove should ventilation be an issue.

IMPORTANT NOTE:

Changing the exhaust voltage does NOT change the feed rate. Therefore, on high heat power levels where the feed rate is faster, a low voltage level will not push out enough air and the stove may overheat and pellets may back up into the pot. Decreasing exhaust voltage will increase the amount of heat coming into the room. Do not adjust the exhaust voltage too low, as it can cause pellets to backup in the burn pot.

Increasing the exhaust voltage, and thereby increasing the amount of air in the burn pot, will also assist in burning lower-quality fuels that may otherwise cause unwanted buildup.

NOTE: Be sure to visually watch the burn rate if the exhaust voltage is decreased, as to not cause pot overloading. Exhaust voltage should ONLY be adjusted to get the optimum performance out of the fuel you are burning. Setting the exhaust voltage too high will increase the amount of fly ash being pushed out of the vent and may result in difficulty sustaining fire.

To Set The Exhaust Blower Voltage:

1. Press and hold the **ENTER** button. This will take you to the "SET DATA" screen.
2. Using the **SCROLL DOWN** key, move to option 3: "**Set Fan Settings**". Press **ENTER** again to move into the "**SET COMBUSTION**" screen. SEE FIGURE 27.
3. To select the stall (or heating power level) you'd like to change voltages on, press **ENTER** to highlight the heating level field and use the **SCROLL UP** or **SCROLL DOWN** buttons to select your heating level. Press **ENTER** to complete heating level selection.

NOTE: Heating levels will be indicated as H01 (heating level 1) through H05 (heating level 5). IG01 through IG03 apply to the three stages of the ignition cycles. It is NOT recommended that these be altered from level 8 in

most situations.

4. Use the **SCROLL DOWN** button to scroll down to the "Exhaust Voltage" field and press **ENTER**.
5. Use the **SCROLL UP** or **SCROLL DOWN** to adjust voltage level.

NOTE: Voltage levels are assigned a 1 through 8 numerical value. 1 represents the lowest voltage (slowest fan speed) and 8 represents the highest voltage (fastest fan speed).

6. Press **ENTER** to finalize your changes. Repeat steps 3-5 for other stalls as desired.
7. When finished, and with nothing highlighted on the screen, press the **EXIT** button.

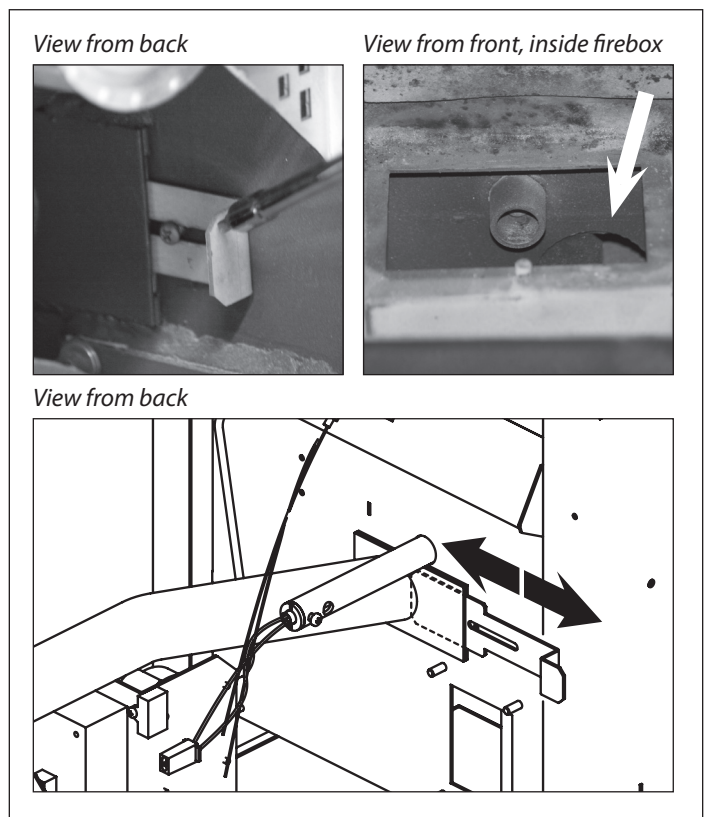


Figure 26

Combustion	
1. level:	H02
→2. Exhaust Voltage:	3
3. Blower Voltage:	3
	Feed rate: on 17 off 43

Figure 27

Setting Eco Mode


When activated and used in combination with Temperature Mode, Eco Mode allows the stove to automatically fully shut down when the desired "Call To" temperature is sufficiently exceeded and automatically reignite when the room temperature drops sufficiently below the desired call to temperature. Eco Mode is specifically designed for those heating smaller or extremely well insulated spaces that may become overheated even at the lowest heat setting.

NOTE: Using Eco Mode will reduce the life cycle of your ignitor in comparison to other operating modes. This is due to the fact the ignitor is being used more frequently as a result of reignition.

1. Press and hold **ENTER**. This will take you to the "**SET DATA**" screen.
2. Using the **SCROLL DOWN** key, move down to option 4: "**SET ECO**". Press **ENTER** again to move into the "**SET ECO**" screen. **SEE FIGURE 28.**
3. Press **ENTER** to highlight Eco Mode field and use the **SCROLL UP** or **SCROLL DOWN** keys to toggle the field to "**ON**".
4. Press **ENTER** to finalize this change.
5. With nothing highlighted on the screen, press **EXIT**.

DIAGNOSTICS

Your Castle Stove's controller comes equipped with an on-board diagnostics option that will let you test some components of your stove.



WARNING

NEVER OPERATE THE STOVE IN DIAGNOSTIC MODE. DIAGNOSTIC MODE IS TO TEST AND CONFIRM THE OPERATION OF INDIVIDUAL COMPONENTS ONLY. OPERATION IN DIAGNOSTIC MODE WILL CREATE AN UNSAFE CONDITION AND CAUSE INJURY TO PEOPLE AND DAMAGE TO EQUIPMENT.

NOTE: You will only be able to enter the diagnostic screen when the stove is turned OFF.

To get into the diagnostics screen:

1. Press and hold the **ENTER** button. This will take you to the "**SET DATA**" screen.
2. Using the **SCROLL DOWN** key, move to option 5, "**DIAGNOSIS**". Press **ENTER**. This will take you to the "**DIAGNOSIS**" screen. **SEE FIGURE 29.**

Set Eco

ECO: ON

Figure 28

If components are activated, the circles next to the components will be shaded.

- Level:** Changing the level will allow you to test the component in the various heating power levels.
- Fire:** Indicates whether the igniter is working activated.
- Exhaust:** Indicates whether the exhaust motor and exhaust system is activated.
- Limit:** Indicates the hopper lid is properly shut.
- Blow:** Indicates whether the room fan/blower is activated.
- Feed:** Indicates if the auger is feeding pellets.
- Vacuum:** Indicates there is sufficient vacuum and suction.
- POF:** Indicates the proof of fire switch is activated.
- Room T:** Indicates temperature being read by room temp sensor.
- Hopper T:** Indicates temperature being rread at hopper feed chute.


Diagnosis

level: **HD1**

Fire: ● Exhaust: ● Feed: ○
 Blow: ● Limit: ● Vacuum: ○
 POF: ○ HT: 075F RT: 074F
 Hopper T:075F Room T: 076F

Figure 29

SHUT DOWN PROCEDURE

Press the  button on the control pad to initiate the shut down mode. The On/Off indicator on the screen will read **OFF**. The auger will stop feeding pellets, but the room blower and exhaust blower will continue to operate. Once the stove has cooled down, the screen light will turn off.

Shut down times will vary.

MAINTENANCE

Normal Care and Maintenance

Due to differences in fuel, stove cleaning intervals will vary. The cleaner the stove is, the more efficiently it will burn.

Cleaning the Firepot

Remove and clean the burn pot/firepot daily. Make sure all holes in the burn pot are unobstructed. Use a small metal pick or drill bit to keep these holes clean. **SEE FIGURE 30.**

Firepot Remains

Every time the hopper is filled with fuel, the firepot should be emptied. To empty the firepot, lift it out of the pot holder and dump it directly into the ash pan. Be sure any build-up is removed and that the holes are clean.

Cleaning the Glass

Only clean the glass when the glass is cool. Wipe glass off frequently. Wipe the glass clean with a dry or damp rag. If this does not clean the glass, use any non-abrasive cleaner. Using ceramic stove top cleaner can be helpful in removing soot from the glass. Inspect gaskets around the door periodically. Replace any worn, frayed or compacted gaskets. Replace broken glass only with high temperature ceramic glass, available from Castle Pellet Stoves. **SEE FIGURE 31.**

Stove Emissions

Stove emissions should be visually checked on a regular basis. Emission visibility is an indicator of inefficient combustion. In order to minimize impact on the environment, maintenance costs, and fuel consumption, this pellet heater should be operated in a manner that minimizes emission visibility.

Interior Chamber

Clean the interior chamber with an ash vacuum. Ash vacuums are specially designed to contain soot and have a metal exterior. This should be done weekly.

WARNING

HOT SURFACES CAN CAUSE BURNS. NEVER PERFORM CLEANING OR MAINTENANCE ON A HOT STOVE. ALLOW UNIT TO COOL FOR A MINIMUM OF TWO HOURS. NEVER PERFORM SERVICE WITH POWER SUPPLIED TO THE UNIT. INJURY TO PERSONEL OR DAMAGE TO EQUIPMENT CAN OCCUR.

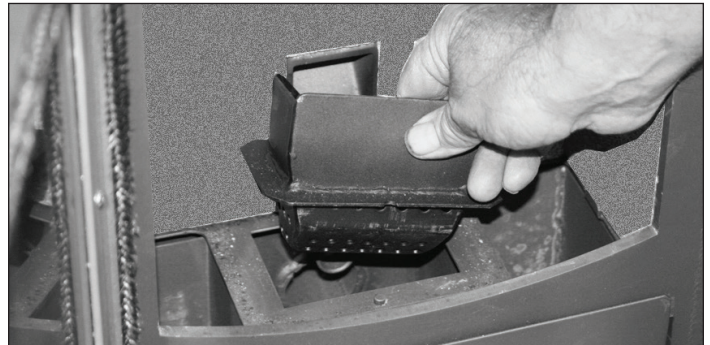


Figure 30: Fire pot clean



Figure 31: Wipe glass and inspect gasket

Daily Maintenance

The surfaces of the stove may be hot. Always wear a protective glove, even when the stove is cool to the touch. Be sure to shut the stove off and allow to cool for one hour before performing any maintenance or service tasks.

Empty firepot of ashes. Lift the firepot from the holder and dump it directly into the ash pan. **SEE FIGURE 32.**

Remove any build-ups and be sure all of the holes are clean.

Dump the ash pan into a metal container with a tightly fitting lid. The closed-container of ashes should be placed on a non-combustible floor or on the ground, well away from all combustible materials, pending final disposal. The ash dumping will be determined by the amount of fuel burned. It may need to be done once or twice a week.

Weekly Maintenance

Ash Pan Removal

1. Turn off the stove and allow it to cool for one hour prior to cleaning.
2. Open the front door. Using a cleaning brush, brush any ash build-up on the ash deflector into the ash pan below.
3. Lift the ash deflector and hook it to the retainer pin located on the inside back wall. Do this for the left and right side of the ash pan. **SEE FIGURE 33.** This will allow the ash pan to be easily removed.
4. Remove the ash pan by lifting straight up and out the front door. **SEE FIGURE 34.**

Disposal of Ash

Dump the ash pan regularly. Ashes should be contained in a metal container with a tight fitting lid. The closed container of ashes should be placed on a non combustible floor or on the ground, well away from all combustible materials. If ashes are disposed of by burial or otherwise locally dispersed, they should be retained in the closed container until all cinders have been cooled.

Soot and Fly Ash

The products of combustion will contain small particles of fly ash. The fly ash will collect in the exhaust venting system and restrict the flow of the flue gases. Incomplete combustion, such as occurs during startup, shutdown, or incorrect operation of the room heater will lead to some soot formation which will collect in the exhaust venting system. The exhaust venting system should be inspected at least once per month to determine if cleaning is necessary. If cleaning is necessary, disassemble the exhaust vent and clean the individual parts. **When cleaning ash, use an approved ash vacuum. See a dealer for more details.**

Check clean out tees regularly to determine the required cleaning interval. Use a 3" or 4" chimney cleaning brush to clean the exhaust venting. Plugged venting will effect the quality of the fire. Make sure to clean any screens in the venting regularly. A plugged screen will shut off combustion air and cause the fire to die or burn poorly.

! WARNING

HOT SURFACES CAN CAUSE BURNS. NEVER PERFORM CLEANING OR MAINTENANCE ON A HOT STOVE. ALLOW UNIT TO COOL FOR A MINIMUM OF TWO HOURS. NEVER PERFORM SERVICE WITH POWER SUPPLIED TO THE UNIT. INJURY TO PERSONEL OR DAMAGE TO EQUIPMENT CAN OCCUR.

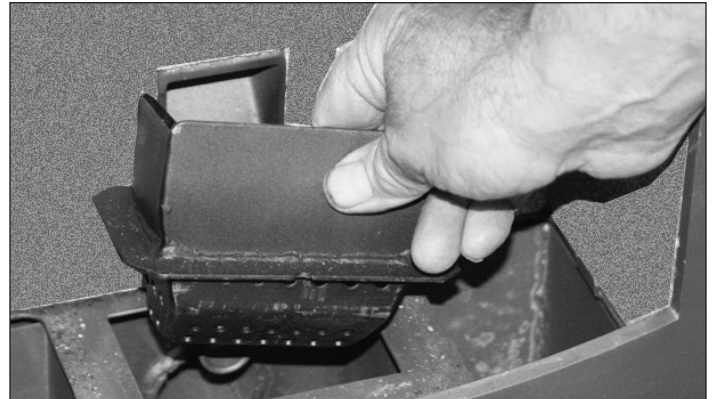


Figure 32: Empty Firepot

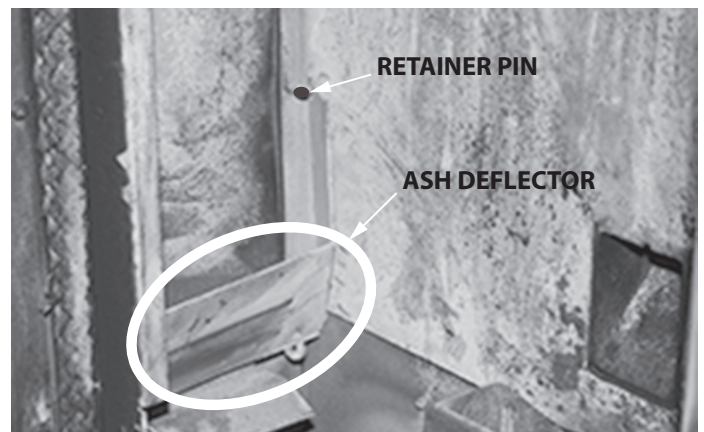


Figure 33: Ash Pan Dump



Figure 34: Dump Ash Pan

In addition to daily maintenance tasks, use an ash vacuum to clean the inside of the firebox.

Remove the firepot from the pot holder and vacuum beneath. Be sure to remove any ash from the incoming igniter tube. **SEE FIGURE 35.**

Monthly Maintenance

The exhaust venting system should be inspected at least once per month to determine if cleaning is necessary.

Annually/ Biannually

Remove and clean the exhaust venting.

Remove and clean the exhaust motor, housing and impellers.

To remove the exhaust motor, you will have to remove the side panel on the stove. To remove the panel:

Remove four screws, two at the top and two at the bottom of the panel. **SEE FIGURE 36.**

Pivot rear panel outward and push front of panel inward to release and remove panel.

Once you've removed the side panel, you can remove and clean the exhaust motor, housing and impellers. **SEE FIGURE 37.**



Figure 35: Remove ash from igniter tube (underneath firepot)

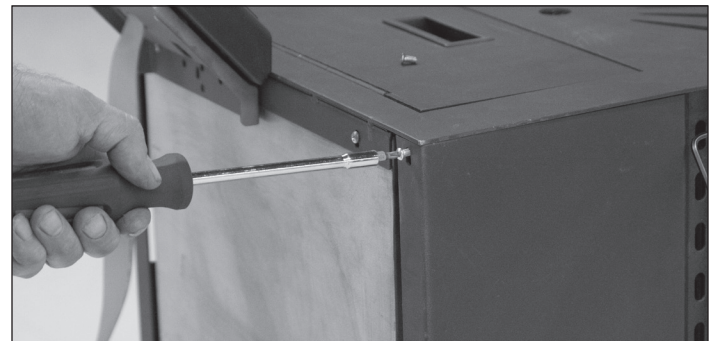


Figure 36: Remove (2) screws from rear of side panel, at the top and bottom of the panel. Remove (2) screws from the front face of the side panel, at the top and bottom of the panel.

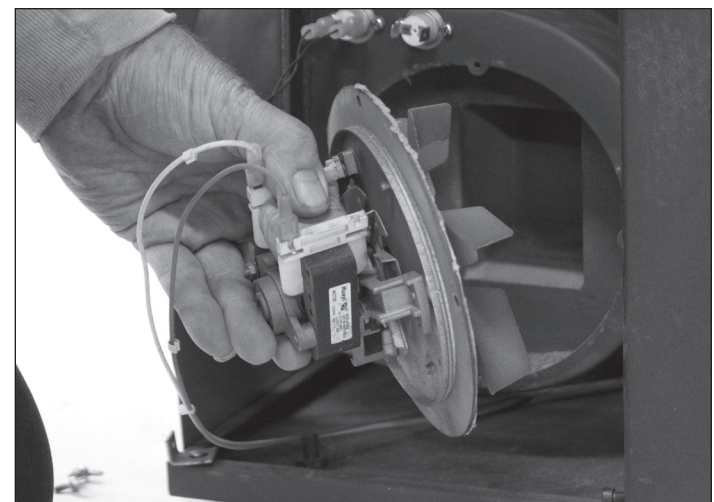


Figure 37: Remove exhaust motor and clean



TROUBLESHOOTING AND REPAIR

At Castle, we build quality and durability into the design of our products; but no amount of careful design by us, and careful maintenance by you, can guarantee a repair-free life for your stove. Most repairs will be minor, and easily fixed by following the suggestions in the troubleshooting guide in this section.

The guide will help you pinpoint the causes of common problems and identify remedies.

For more complicated repairs, you may want to rely on your authorized dealer or Castle. A parts catalog is included in this section.

We will always be glad to answer any questions you have, or help you find suitable assistance. To order parts or inquire about warranty, call or e-mail us as found below.

ORDERING REPLACEMENT PARTS

Parts can be obtained from the store where the stove was purchased or direct from the factory. To order from the factory, call or e-mail:

Castle Stoves
1-800-345-6007

E-mail: info@castlestoves.com

Please include the following information with your order:

1. Model number and serial number
2. Part description
3. Quantity
4. Part numbers

See warranty section of this manual for more information on warranty-related claims and repairs.

WARNING

WHEN PERFORMING ANY INTERNAL MAINTENANCE.

DO NOT OPERATE UNIT WITH PANELS REMOVED OR OPEN. MOVING PARTS INSIDE OF THE CABINET MAY CAUSE INJURY.

USE THE CORRECT PERSONAL PROTECTION, PARTS ARE HOT. DO NOT OPERATE THE UNIT WITH PANEL OPEN.

DISCONNECT POWER BEFORE SERVICING UNIT. RISK OF ELECTRIC SHOCK.

USE ONLY ORIGINAL FACTORY EQUIPMENT WHEN REPLACING PARTS.

CAUTION

THIS IS A MINIMUM REQUIREMENT FOR SOOT AND FLY ASH REMOVAL. ASHES SHOULD BE PLACED IN A METAL CONTAINER WITH A TIGHT FITTING LID. THE CONTAINER SHOULD BE PLACED ON A NON-COMBUSTIBLE FLOOR, WELL AWAY FROM COMBUSTIBLE MATERIALS, PENDING FINAL DISPOSAL. IF ASHES ARE DISPOSED OF BY BURIAL IN SOIL OR OTHERWISE LOCALLY DISPERSED, THEY SHOULD BE RETAINED IN THE CLOSED CONTAINER UNTIL ALL CINDERS ARE THOROUGHLY COOL.

DO NOT OPERATE STOVE WITH BROKEN GLASS.

DO NOT SLAM THE DOOR SHUT.

DO NOT STRIKE GLASS.

DO NOT USE ABRASIVE CLEANERS.

DO NOT CLEAN HOT GLASS.

REPLACE CERAMIC GLASS WITH FACTORY AUTHORIZED REPLACEMENT PARTS ONLY.

THE CLINKER WILL REMAIN HOT FOR SEVERAL MINUTES AFTER IT IS PULLED OUT OF THE FIRE POT.

TROUBLESHOOTING GUIDE

WARNING

UNPLUG STOVE AND LET COOL BEFORE PERFORMING ANY MAINTENANCE. HOT PARTS CAN CAUSE BURNS. NEVER TEST OR CHECK ELECTRICAL COMPONENTS UNLESS THE STOVE IS UNPLUGGED FROM POWER SUPPLY. ELECTRICAL SHOCK CAN OCCUR.

WARNING

NEVER SERVICE OR TOUCH THE FEED AUGER WITH THE STOVE PLUGGED IN.

NEGATIVE PRESSURE IN A HOME IS A SERIOUS ISSUE. IF THERE IS A PROBLEM, THE STOVE SHOULD BE INSTALLED WITH A FRESH AIR KIT (NOT INCLUDED).

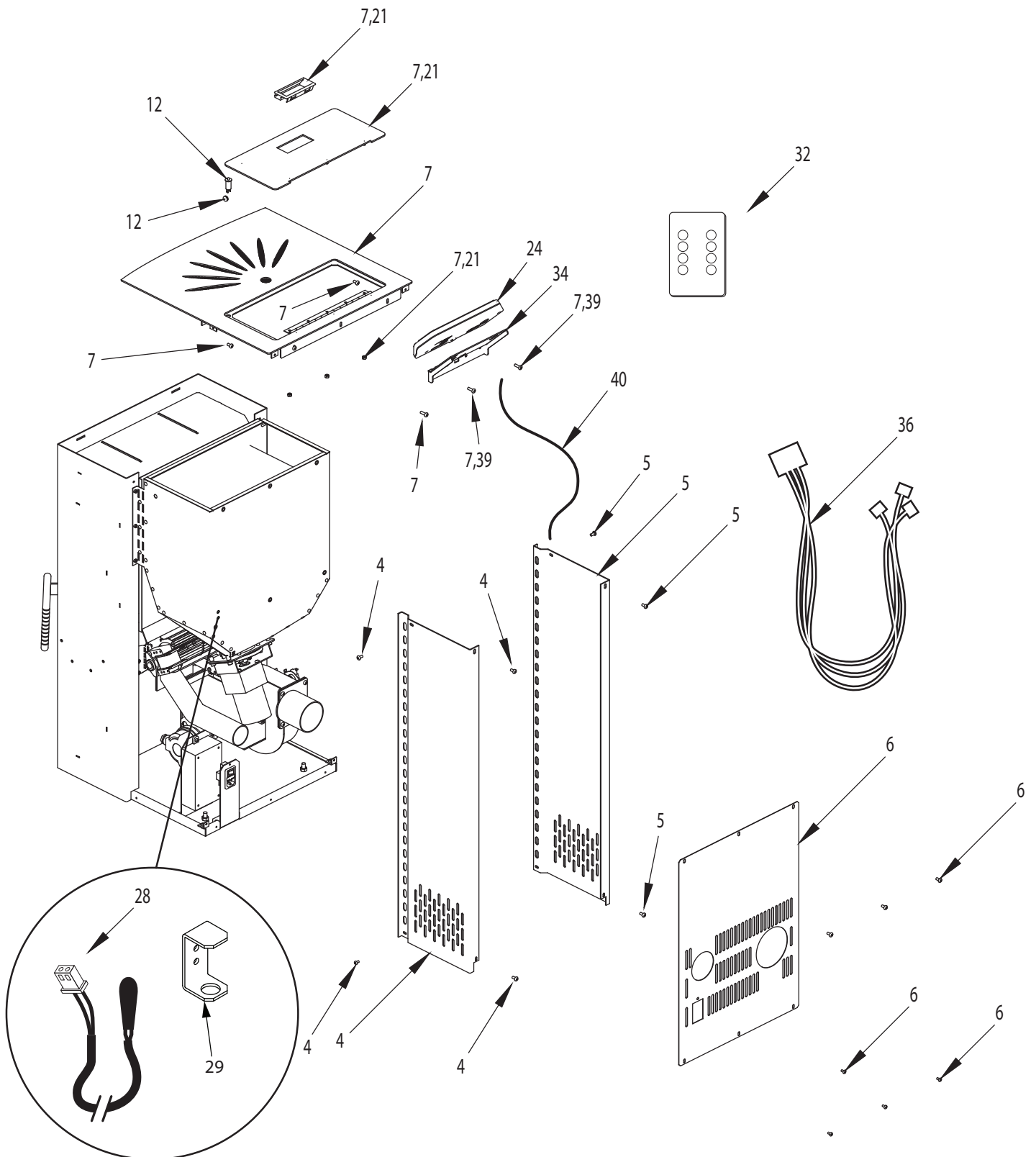
PROBLEM	CAUSE	SOLUTION
Fault light comes on	Fire goes out	Control reads out of fuel, check burn pot. Add fuel to the hopper. If the hopper is full, relight. If it continues to give that signal, enter the diagnostic area of the controller. A circle next to "POF" should be highlighted. If not, replace the 52C proof of fire switch (switch to backup already installed on stove). Check pigtail leads, replace spade terminals as necessary.
PROBLEM	CAUSE	SOLUTION
Fault light is on	Overtemp	Use Diagnostic mode to check blower function by highlighting the circle next to "Blow". Allow stove to cool and restart. Check exhaust pipe for obstructions. Increase blower voltage through controller in each stall.
PROBLEM	CAUSE	SOLUTION
Fuel not feeding, no vacuum signal on the control	Main door or ash pan not sealed. No negative pressure in fire chamber Piping or stove may be plugged with ash Exhaust Motor has failed	The pressure sensor shuts off the feed auger when there is no negative pressure in fire chamber. Check door seals. Check viewing glass seals. Clean venting and stove. Verify exhaust motor is turning. Enter the diagnostic area on the controller and highlight the circle next to feeding; this should cycle the auger and feed pellets. Then highlight the circle next to "exhaust". The exhaust motor should turn on and within 20 seconds, the vacuum signal should also become highlighted.



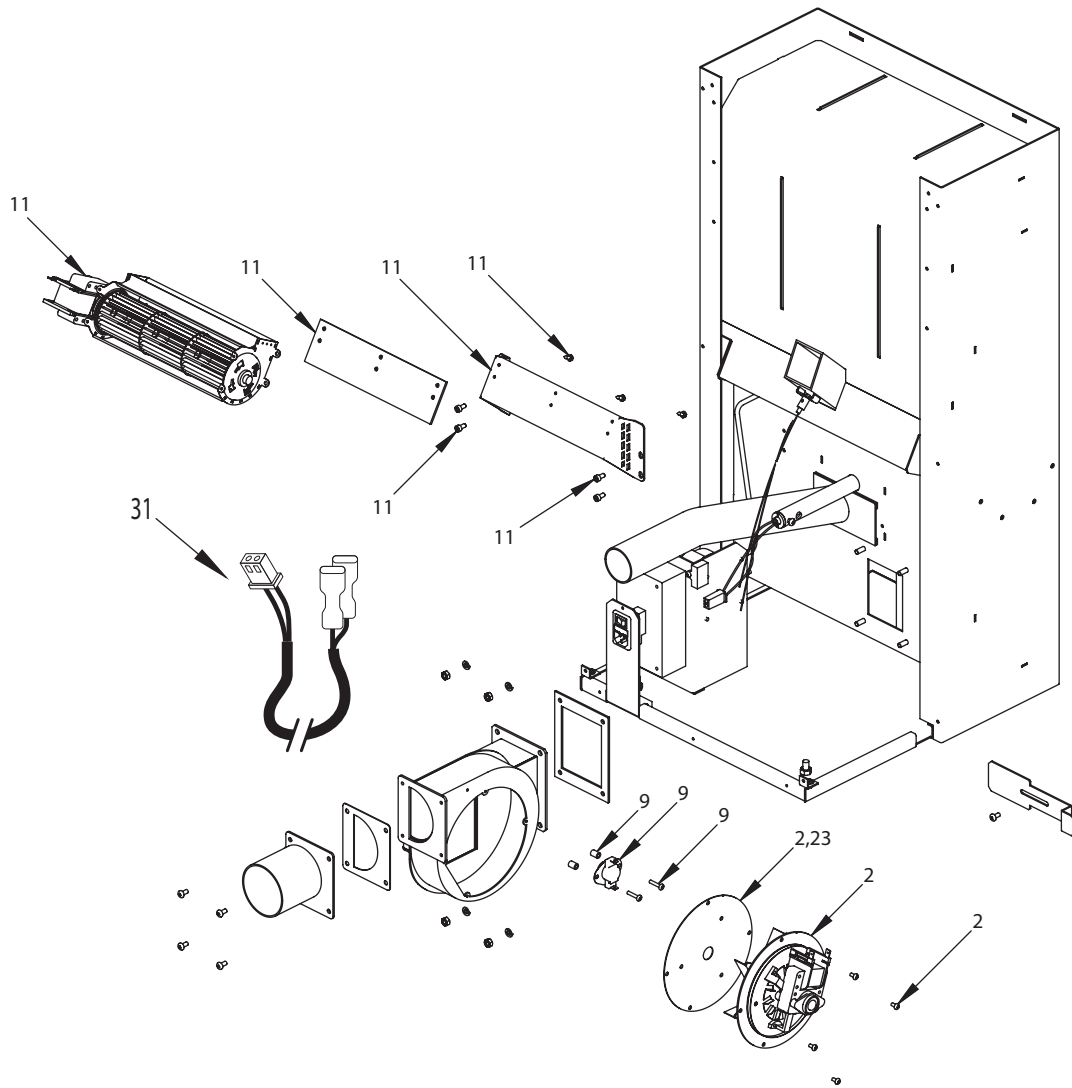
Serenity Pellet Stove

PROBLEM	CAUSE	SOLUTION
Fuel not feeding, vacuum and hopper lid signal present on the control.	Auger is obstructed Auger not working Mechanical over-temp switch has failed or needs to be reset.	Remove auger from housing and clean obstruction first. Enter the diagnostic area in the controller and highlight the circle next to "feeding". This should cycle the auger and feed pellets. If pellets do not feed in diagnostic mode, remove right side panel and check the mechanical overtemp switch located on the pellet feed chute. Press the button in the middle of the switch firmly to reset. Try feeding pellets in diagnostic to confirm this has fixed the issue.
Fuel not feeding, no hopper lid signal on control	Hopper lid is open Hopper lid switch not functioning correctly	Close hopper door. Enter the diagnostic area on the controller; circle next to "limit" should be highlighted when the hopper lid is closed. The circle will be unshaded if the hopper lid is opened. Check hopper door seal. Replace hopper safety switch if not operating properly.
PROBLEM	CAUSE	SOLUTION
Fire burns lazy and smoky	Stove is dirty Poor quality fuel Air intake obstruction Insufficient air supply	Clean fire pot. Clean ash pan. Clean exhaust vent system, and check for obstructions. Verify there are no air intake obstructions. Increase exhaust motor voltage.
PROBLEM	CAUSE	SOLUTION
Feeds fuel, but will not light; control indicators are on	Igniter tube or burn pot plugged with ash, Faulty igniter	Clean fire pot and clean igniter tube. Enter the diagnostic area in the controller and test the igniter by highlighting "fire". You should feel heat coming from the igniter holder within two minutes. Replace igniter if necessary

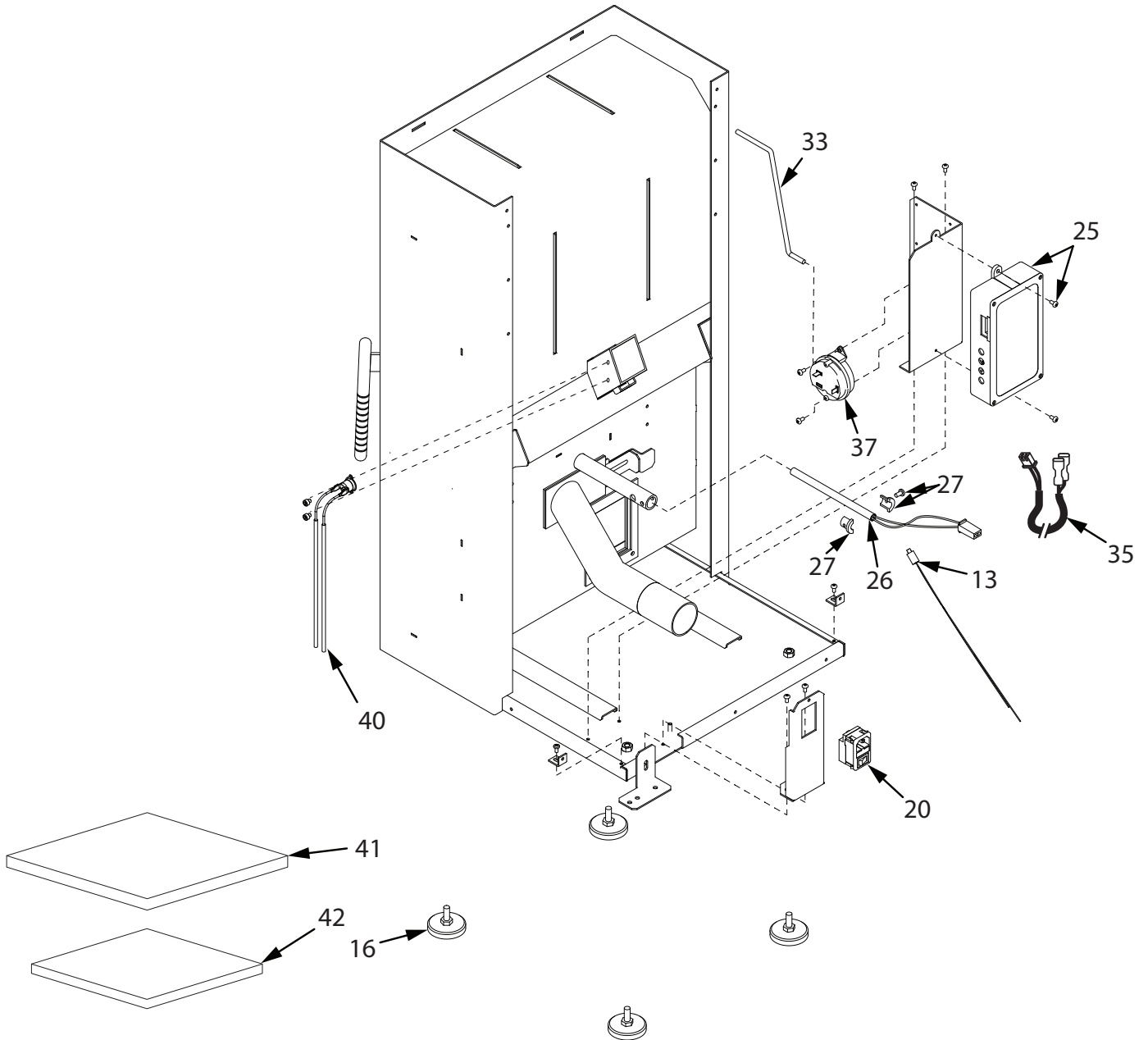
ILLUSTRATED PARTS BREAKDOWN



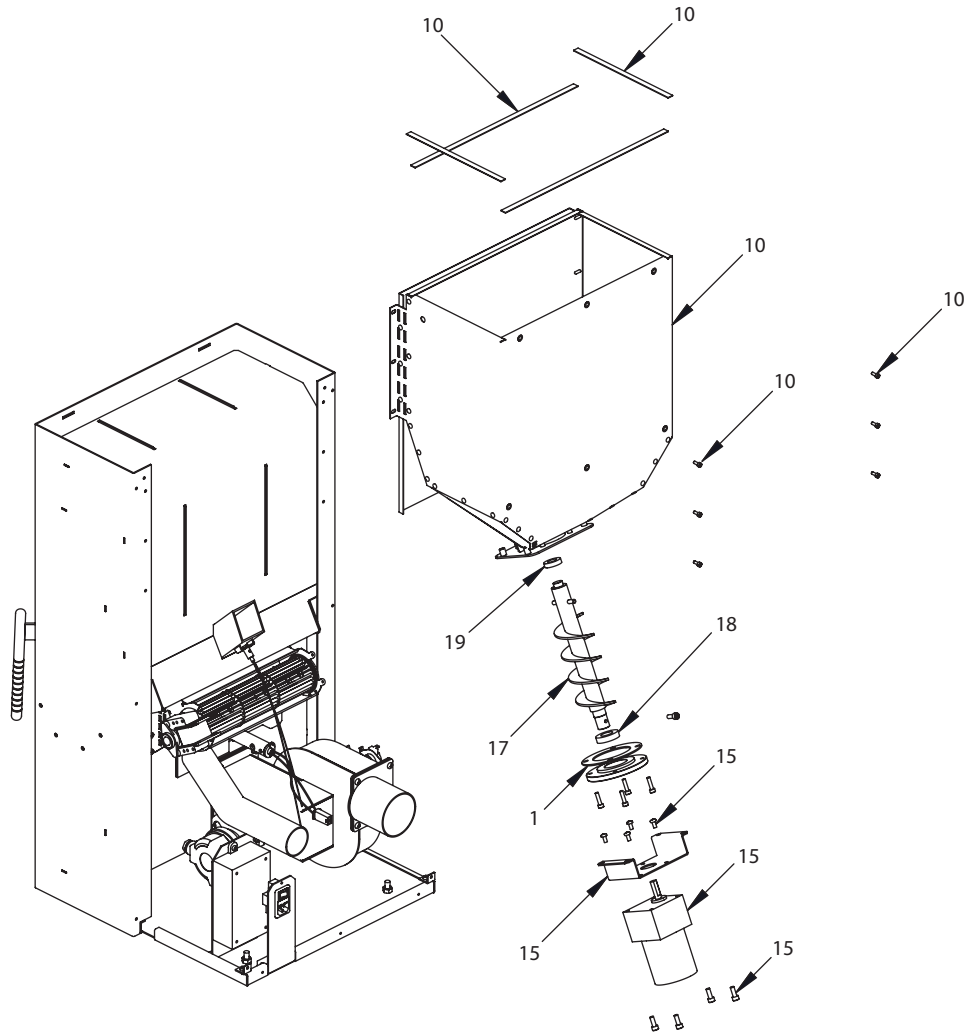
ILLUSTRATED PARTS BREAKDOWN



ILLUSTRATED PARTS BREAKDOWN



ILLUSTRATED PARTS BREAKDOWN

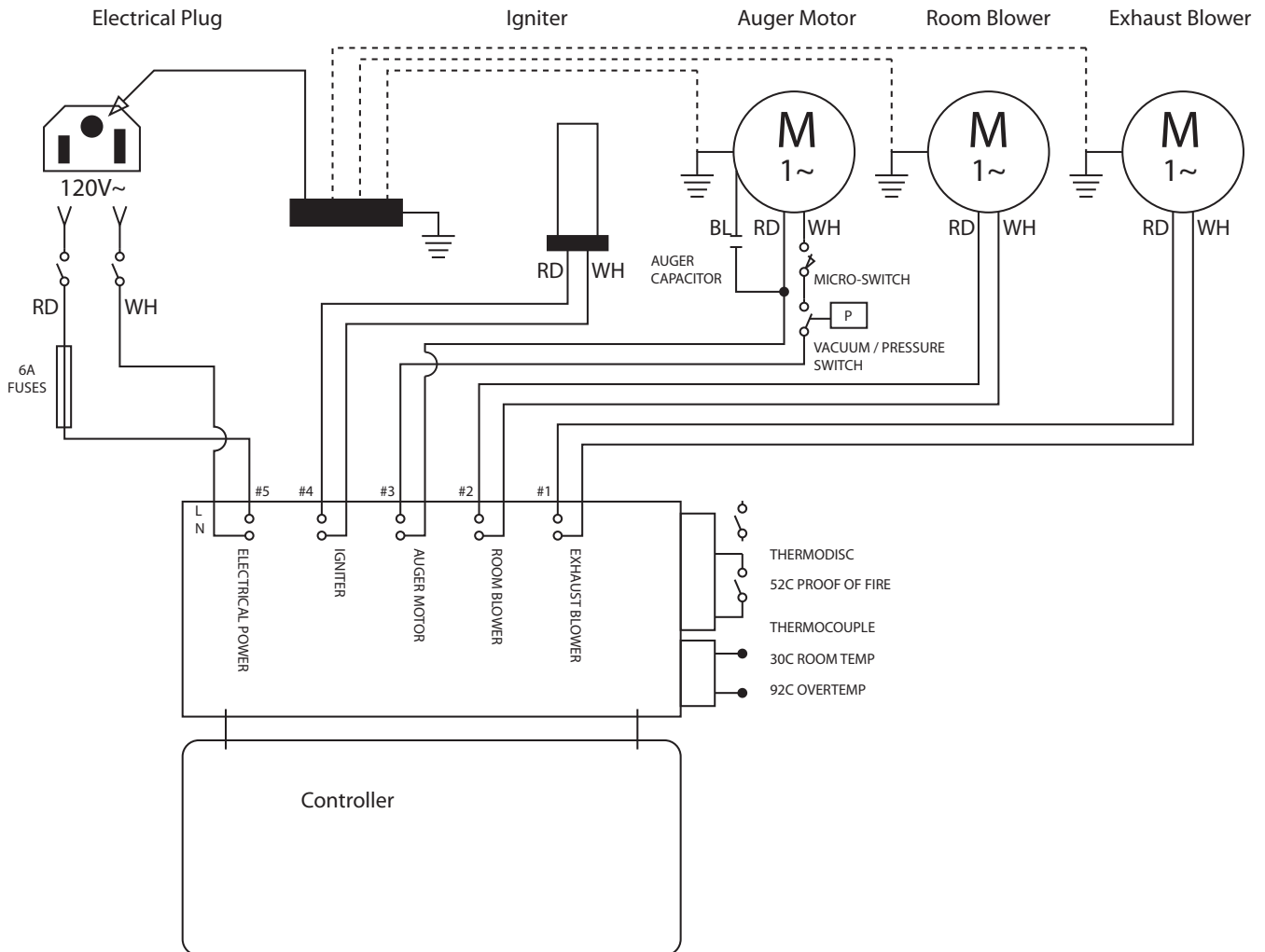


ITEM #	PART #	DESCRIPTION	QTY.
1	12225	GASKET AUGER HOUSING HPS FEED SYSTEM	1
2	720110	EXHAUST BLOWER	1
3	16135	ASH PAN WELDMENT	1
4	16278	PANEL RIGHT REPLACEMENT KIT	1
5	16279	PANEL LEFT REPLACEMENT KIT	1
6	16280	PANEL BACK REPLACEMENT KIT	1
7	16281	TOP AND HOPPER WELDMENT LID REPLACEMENT KIT	1
8	720238	VACUUM SWITCH	1
9	720103	52C SENSOR REPLACEMENT	1

**ILLUSTRATED PARTS BREAKDOWN**

ITEM #	PART #	DESCRIPTION	QTY.
10	16284	KIT HOPPER ASSEMBLY REPLACEMENT	1
11	21565	ROOM BLOWER REPLACEMENT KIT	1
12	720055	HOPPER LID SWITCH	1
13	720106	SENSOR TEMPERATURE 92 DEG C	1
14	720204	DOOR ASSEMBLY REPLACEMENT KIT	1
15	720107	AUGER MOTOR HPS & SERENITY	1
16	720216	ADJUSTABLE FOOT	4
17	720219	WELDMENT AUGER FEED SYSTEM	1
18	720220	BEARING LOWER AUGER	1
19	720221	BEARING UPPER AUGER	1
20	720227	POWER SUPPLY SWITCH REPLACEMENT KIT	1
21	720229	HOPPER HANDLE REPLACEMENT	1
22	720235	FIREPOT WELDMENT	1
23	18522	EXHAUST MOTOR GASKET KIT	1
24	43536	CONTROLLER	1
25	43538	INTERFACE MODULE CONTROLLER	1
26	720307	IGNITER REPLACEMENT KIT	1
27	720308	COLLAR IGNITER RETAINER REPLACEMENT KIT	1
28	13512	LEAD, PIGTAIL, 30C ROOM SENSOR	1
29	28663	BRACKET, MOUNTING 30C ROOM SENSOR	1
30	720242	GLASS HPS10 & SERENITY	1
31	11090	PIGTAIL LEAD 52 FOR 10IC SERENITY	1
32	11721	REMOTE CONTROL	1
33	12283	TUBE VACUUM SWITCH PORT	1
34	12429	BRACKET CONTROLLER	1
35	11392	PIGTAIL LEAD VACUUM SWITCH	1
36	23063	COMPLETE WIRING HARNESS SERENITY	1
37	28662	VACUUM SWITCH 0.05 WC	1
38	12419	BOLT M4 X 8MM PPHMS	2
39	34285	BOLT M5 X 25MM SHCS	2
40	43535	SERIAL CABLE 4-WIRE	1
41	34004	OVERTEMP SWITCH AND HARNESS	1
42	41700	MANUAL BAG ASSEMBLY	1
43	33994	PARTS BAG ASSEMBLY	1

WIRING DIAGRAM





Serenity Pellet Stove

ENGLISH

Efficiency

Efficiency is the measure of an appliance's efficacy in converting energy input in the form of fuel to energy output in the form of heat. Discrepancies in heating efficiency in the marketplace are not uncommon. When determining efficiency values for wood heaters, higher heating value (HHV) is preferred to lower heating value (LHV) which ignores the heat of vaporization of the water vapor that is inherent to the combustion of wood fuel.

Your Serenity™ pellet heater's efficiency will be influenced by factors such as where it is installed, what fuels are used, and how it is operated. To maximize the efficiency of your Serenity™ pellet heater, the following recommendations should be followed:

- Select fuels that are low in moisture. Burning fuels high in moisture draws heat from the fuel and tends to cool the appliance, robbing heat from your home. Pellets that meet or exceed PFI Premium Grade standards are recommended, in part, because they have a low moisture content.

- The efficient combustion of any fuel source is reliant on a proper balance of fuel and oxygen. This principle holds true for your Serenity™ wood heater and the wood pellets that it burns. Burning at a low setting inherently limits oxygen supply. Constant operation at the lowest burn setting will result in a lower efficiency than if the stove were operated at medium and high burn rates.
- This wood heater is most efficient when installed in a main living area. Installation in basement locations will result in some heat being lost to the surrounding earth through foundation walls. Outdoor installation or installation in unenclosed rooms where heat is readily lost to the environment is discouraged.

EPA Certified Emissions:	1.00 grams / hr.
*HHV Tested Efficiency:	78.2%
**BTU Output Range:	12,808 - 26,493 BTU / hr.
***BTU Input:	35,660 BTU / hr.
Fuel:	Wood Pellets (PFI Premium or better)
* Weighted average HHV efficiency using data collected during EPA emission test.	
** A range of BTU outputs based on measured efficiency and burn rates from EPA testing at low and high burn rate settings using HHV.	
*** Based on tested per-hour feed rate on high setting multiplied by tested 8528 BTU/hr. content of pellets used for emissions testing.	

Fire Safety

Carbon monoxide (CO) is a potentially deadly gas that results from unideal combustion. CO is generated when fuels have insufficient air available to completely combust a fuel source. To minimize the production of CO, ensure that your Serenity™ wood heater is properly cleaned and maintained, that the air intake damper is set properly (not too wide or too open), and that the air intake remains free from obstructions.

Make sure your home has working smoke and CO detectors. These detectors should be installed and maintained in accordance with manufacturer's recommendations. Additionally, it is recommended that CO monitors be located in areas that are expected to generate CO. Such areas include heater fueling areas, pellet fuel bulk storage areas, sheds containing hydronic heaters, and rooms where heaters are located.

Burn Rate (kg/hr) (Dry)	CO Emissions (g/hr)	Heating Efficiency (% HHV)	Heat Output (Btu/hr)
High - 1.98	0.0	74.4	26,493
Medium - 1.43	0.0	79.4	20,415
Low - 0.92	0.0	77.2	12,808
Overall - 1.27	0.0	78.2	17,828



SERENITY™ BY CASTLE™ PRODUCT WARRANTY: LIMITED ONE-YEAR WARRANTY

Ardisam Inc., a manufacturing company, warrants this Castle Pellet stove to be free from defects in the material and workmanship for a period of one year. During that one-year period, Ardisam Inc. will, at their discretion, furnish parts to correct any defect caused by faulty material or workmanship. For other warranty repairs, please read the one-year warranty listed below.

All electrical components, such as but not limited to blowers, wiring, vacuum switches, speed controls, control boxes, switches, pilot assemblies, thermostats and igniters, are covered under this one-year warranty. All warranty replacement of parts is the owner's responsibility.

The manufacturer makes no written or implied performance warranty, having no control of fuel type, installation or daily operation and maintenance. Specifically there is no warranty on the paint, glass, burn pot, fire brick, seals or gaskets.

All cost of removal, shipment to and from the dealer or manufacturer, any loss during shipment and reinstallation and any other losses due to the stove being removed shall be the owner's responsibility.

THIS WARRANTY IS LIMITED TO DEFECTIVE PARTS AND DOES NOT COVER DAMAGE TO PARTS CAUSED BY IMPROPER INSTALLATION, IMPROPER MAINTENANCE OR THE LACK OF, AND IMPROPER USE OR OVER FIRING. REPAIR AND/OR REPLACEMENT IS AT THE DISCRETION OF ARDISAM, INC. AND EXCLUDES ANY INCIDENTAL AND CONSEQUENTIAL DAMAGES CONNECTED THEREWITH.

This warranty is not transferable and supersedes all other warranties either expressed or implied and all other obligations to liabilities on our part. Ardisam Inc. does not assume, and does not authorize any other person to assume for us, any liability in connection with the sale of our products. The warranty applies only to products which have not been subjected to negligent use, misuse, alteration, or accident. This guarantee is void unless the warranty card is properly filled out and returned to Ardisam Inc. Cumberland, WI, within 30 days of purchase. To obtain warranty service and/or replacement instructions, contact the customer service department at 800-345-6007 Monday through Friday from 8 a.m. to 5 p.m. or visit www.castlepelletstoves.com. If you choose to ship your product to Ardisam™ for warranty repair, you must first have prior approval from Ardisam™ by calling our customer service department at 800-345-6007 for a return material authorization number (RMA#). Under these circumstances, all items must be shipped pre-paid. Ardisam™ will at no charge, repair or replace, at their discretion, any defective part which falls under the conditions stated above. Ardisam™ retains the right to change models, specifications and price without notice. Ardisam shall not be obligated to ship any repair or replacement product to any location outside of the United States of America or Canada. Some states and countries do not allow the limitations on how long an implied warranty lasts, or the exclusion or limitation of incidental or consequential damages, so the above limitation may not apply to you. This warranty gives you specific legal rights, and you may also have other rights which vary from state to state and country to country.



Castle Stoves™, Division of Ardisam, Inc.
1730 Industrial Avenue, PO Box 666
Cumberland, WI 54829
800-345-6007 | Fax 715-822-2223
E-mail: info@castlestoves.com



Manuel de l'utilisateur

Poêle à granules Serenity

Modèle 41278

FRANÇAIS

CAUTION

**DO NOT DISCARD MANUAL!
IMPORTANT OPERATING AND
MAINTENANCE INSTRUCTIONS
INCLUDED.**



**SAVE THESE INSTRUCTIONS AND
LEAVE THIS MANUAL WITH ANY
PERSON RESPONSIBLE FOR USE AND
OPERATION.**

ATTENTION NE PAS JETER!

**IMPORTANTES INSTRUCTIONS
D'UTILISATION ET D'ENTRETIEN
INCLUSES.
CONSERVEZ CES INSTRUCTIONS
ET LAISSEZ CE MANUEL À TOUTE
PERSONNE RESPONSABLE
DE L'UTILISATION ET DU
FONCTIONNEMENT.**

WARNING

**PLEASE READ THIS ENTIRE
MANUAL BEFORE INSTALLATION
AND USE OF THIS PELLET
FUEL-BURNING ROOM HEATER.
FAILURE TO FOLLOW THESE
INSTRUCTIONS COULD RESULT
IN PROPERTY DAMAGE, BODILY
INJURY OR EVEN DEATH.**

AVERTISSEMENT

**VEUILLEZ LIRE CE MANUEL EN
ENTIER AVANT D'INSTALLER
ET D'UTILISER CET APPAREIL
DE CHAUFFAGE AUTONOME À
GRANULES, AFIN D'ÉCARTER LES
RISQUES DE DÉGÂTS MATÉRIELS,
DE BLESSURES CORPORELLES,
VOIRE DE MORT.**



CAUTION

**CONTACT LOCAL BUILDING OR FIRE OFFICIALS ABOUT RESTRICTIONS
AND INSTALLATION INSPECTION REQUIREMENTS FOR YOUR AREA.**

ATTENTION

**CONSULTER LES SERVICES DU BÂTIMENT OU D'INCENDIE LOCAUX
CONCERNANT LES RESTRICTIONS ET LES EXIGENCES D'INSPECTION
D'INSTALLATION EN VIGUEUR.**



AVERTISSEMENTS ET MESURES DE PRÉCAUTION

Responsabilité du propriétaire

- L'assemblage correct et l'utilisation sûre et efficace du poêle relèvent de la responsabilité du propriétaire.
- Lire et suivre toutes les instructions de sécurité.
- Suivre avec attention toutes les instructions d'assemblage.
- Entretien le poêle conformément aux instructions et au calendrier figurant dans le manuel de l'utilisateur Castle.
- S'assurer que quiconque utilise le poêle est familiarisé avec toutes les commandes et mesures de précaution.

Messages spéciaux

Ce manuel contient des messages spéciaux attirant l'attention sur des problèmes de sécurité et dommages potentiels au poêle, ainsi que des informations utiles sur le fonctionnement et l'entretien. Veiller à lire toutes ces informations avec attention pour éviter les blessures et les dommages au poêle.

REMARQUE : Des information générales sont fournies à travers ce manuel pouvant aider l'opérateur dans l'utilisation ou l'entretien du poêle.

PRÉCAUTIONS DE SÉCURITÉ IMPORTANTES

Veiller à lire cette section avec attention. Utiliser le poêle conformément aux instructions et conseils de sécurité fournis ici et tout au long du manuel. Quiconque utilise ce poêle doit lire les instructions et être familiarisé avec les commandes.



CE SYMBOLE SIGNALE DES INSTRUCTIONS DE SÉCURITÉ IMPORTANTES QUI DOIVENT ÊTRE RESPECTÉES POUR NE PAS METTRE EN DANGER LA SÉCURITÉ DES PERSONNES. LIRE ET RESPECTER TOUTES LES INSTRUCTIONS DU MANUEL AVANT DE TENTER DE FAIRE FONCTIONNER CET APPAREIL.



DANGER

DANGER INDIQUE QUE DES BLESSURES GRAVES OU LA MORT RÉSULTERAIENT SI LES INSTRUCTIONS DE SÉCURITÉ QUI SUIVENT CE MOT-INDICATEUR NE SONT PAS RESPECTÉES.



AVERTISSEMENT

AVERTISSEMENT INDIQUE QUE DES BLESSURES GRAVES OU LA MORT POURRAIENT RÉSULTER SI LES INSTRUCTIONS DE SÉCURITÉ QUI SUIVENT CE MOT-INDICATEUR NE SONT PAS RESPECTÉES.



ATTENTION

ATTENTION INDIQUE LE RISQUE DE BLESSURES OU DE DOMMAGES MATÉRIELS SI LES INSTRUCTIONS DE SÉCURITÉ QUI SUIVENT CE MOT-INDICATEUR NE SONT PAS RESPECTÉES.



IMPORTANT

IMPORTANT SIGNALE DES INFORMATIONS UTILES CONCERNANT L'ASSEMBLAGE, L'UTILISATION OU L'ENTRETIEN DU MATÉRIEL.



AVERTISSEMENT

VEILLER À LIRE, À COMPRENDRE ET À RESPECTER TOUTES LES INSTRUCTIONS DE SÉCURITÉ ET D'UTILISATION FIGURANT DANS CE MANUEL AVANT DE TENTER D'INSTALLER ET DE FAIRE FONCTIONNER LE POÊLE.

TOUT MANQUEMENT À OBSERVER LES INSTRUCTIONS DE SÉCURITÉ ET D'UTILISATION PEUT PROVOQUER DES BLESSURES CORPORELLES GRAVES POUR L'UTILISATEUR ET D'AUTRES PERSONNES PRÉSENTES ET DES DÉGÂTS MATÉRIELS. LE TRIANGLE DANS LE TEXTE SIGNIFIE QUE DES MISES EN GARDES ET AVERTISSEMENT IMPORTANTS DOIVENT ÊTRE SUIVIS.



AVERTISSEMENT



POUR ÉCARTER LES RISQUES DE DÉGÂTS MATÉRIELS, DE BLESSURES CORPORELLES, VOIRE DE MORT, VEILLER À LIRE CE MANUEL EN ENTIER AVANT D'INSTALLER ET D'UTILISER CET APPAREIL DE CHAUFFAGE AUTONOME À GRANULES.

NE PAS ENTREPOSER NI UTILISER D'ESSENCE OU AUTRES LIQUIDES ET VAPEURS INFLAMMABLES AU VOISINAGE DE CET APPAREIL OU DE TOUT AUTRE.

NE PAS FAIRE SURCHAUFFER - SI UNE PARTIE EXTÉRIEURE COMMENCE À ROUGEoyer, LE POÊLE EST SURCHAUFFÉ. RÉDUIRE LE TAUX D'ALIMENTATION. LA SURCHAUFFE ANNULE LA GARANTIE.

RESPECTER TOUS LES DÉGAGEMENTS MINIMUM SPÉCIFIÉS PAR RAPPORT AUX MATÉRIAUX COMBUSTIBLES AFIN D'ÉCARTER LES RISQUES D'INCENDIE.



AVERTISSEMENT



SURFACE CHAUDE! NE PAS TOUCHER! DANGER DE BRÛLURES GRAVES. LES VÊTEMENTS PEUVENT S'ENFLAMMER. LA VITRE ET LES AUTRES SURFACES SONT CHAUDES DURANT LE FONCTIONNEMENT ET LE REFROIDISSEMENT.

TENIR LES ENFANTS À L'ÉCART.

SURVEILLER AVEC ATTENTION LES ENFANTS PRÉSENTS DANS LA MÊME PIÈCE QUE L'APPAREIL.

NE PAS FAIRE FONCTIONNER AVEC DES ÉLÉMENTS PROTECTEURS OUVERTS OU DÉMONTÉS.

TENIR LES VÊTEMENTS, LE MOBILIER, LES RIDEAUX ET AUTRES MATÉRIAUX COMBUSTIBLES À L'ÉCART.



ATTENTION

CONSULTER LES CODES DU BÂTIMENT AVANT L'INSTALLATION. S'ADRESSER AUX AUTORITÉS RÉGLEMENTAIRES AVANT L'INSTALLATION POUR DÉTERMINER SI UN PERMIS EST NÉCESSAIRE.

L'INSTALLATION DOIT IMPÉRATIVEMENT ÊTRE CONFORME À TOUS LES CODES ET RÉGLEMENTATIONS EN VIGUEUR.

CONSULTER LES SERVICES DU BÂTIMENT OU D'INCENDIE LOCAUX CONCERNANT LES RESTRICTIONS ET LES EXIGENCES D'INSPECTION D'INSTALLATION EN VIGUEUR.

TESTÉ ET APPROUVÉ POUR LE COMBUSTIBLE EN GRANULES. LA COMBUSTION DE TOUT AUTRE TYPE DE COMBUSTIBLE ANNULE LA GARANTIE.



ATTENTION



NE PAS JETER!

IMPORTANTES INSTRUCTIONS D'UTILISATION ET D'ENTRETIEN INCLUSES.

VEILLER À LIRE, COMPRENDRE ET RESPECTER CES INSTRUCTIONS POUR ASSURER UNE INSTALLATION ET UN FONCTIONNEMENT SÛRS.

LAISSER CE MANUEL À LA PERSONNE RESPONSABLE DE L'UTILISATION ET DU FONCTIONNEMENT.



AVERTISSEMENT

AVERTISSEMENT INDIQUE QUE DES BLESSURES GRAVES OU LA MORT POURRAIENT RÉSULTER SI LES INSTRUCTIONS DE SÉCURITÉ QUI SUIVENT CE MOT-INDICATEUR NE SONT PAS RESPECTÉES.

LIRE CE MANUEL EN ENTIER AVANT D'INSTALLER ET D'UTILISER CE POÊLE À GRANULES. TOUT MANQUEMENT À RESPECTER LES INSTRUCTIONS PEUT PROVOQUER DES DÉGÂTS MATÉRIELS, DES BLESSURES CORPORELLES, VOIRE LA MORT.

LES ENFANTS ET LES ADULTES DOIVENT ÊTRE ALERTÉS DES DANGERS DE HAUTE TEMPÉRATURE DES SURFACES ET SE TENIR À L'ÉCART POUR ÉVITER LE CONTACT AVEC LES PEAU ET LES VÊTEMENTS.

LES JEUNES ENFANTS DOIVENT ÊTRE SURVEILLÉS AVEC ATTENTION S'ILS SONT DANS LA MÊME PIÈCE QUE LE POÊLE.

NE PAS PLACER DE VÊTEMENTS NI D'AUTRES MATIÈRES INFLAMMABLES SUR OU PRÈS DE CET APPAREIL.

NE JAMAIS UTILISER DE LIQUIDES INFLAMMABLES OU EXPLOSIFS TELS QUE L'ESSENCE, LE NAPHTA, L'ALCOOL OU L'HUILE MOTEUR À L'INTÉRIEUR OU AU VOISINAGE DU POÊLE. CES LIQUIDES DOIVENT ÊTRE ENTREPOSÉS DANS UNE PIÈCE SÉPARÉE CAR LA FLAMME NUE DANS LE FOYER PEUT ENFLAMMER LEURS VAPEURS.

NE PAS BRÛLER DE DÉCHETS DANS CET APPAREIL. LA COMBUSTION D'AUTRES COMBUSTIBLES SOLIDES TELS QUE LE BOIS EN BÛCHES OU EN COPEAUX DANS CE POÊLE N'EST PAS PERMISE. LA COMBUSTION DE TOUT COMBUSTIBLE NON CERTIFIÉ PAR CASTLE PELLET STOVES DANS CE POÊLE A POUR EFFET D'ANNULER LA GARANTIE.

NE PAS FAIRE PASSER LE CORDON ÉLECTRIQUE PAR DES ENDROITS DE GRANDE CIRCULATION. UN SYSTÈME DE PROTECTION CONTRE LES SURTENSIONS RACCORDÉ À SOURCE ÉLECTRIQUE DE 120 V AVEC TERRE EST REQUIS.



AVERTISSEMENT

NE PAS POSER DE REGISTRE DE TIRAGE DANS LE SYSTÈME D'ÉVACUATION DE L'APPAREIL.

NE PAS RACCORDER CET APPAREIL À UN CONDUIT DE FUMÉE UTILISÉ POUR UN AUTRE APPAREIL.

NE PAS INSTALLER DANS UNE CHAMBRE À COUCHER.

NE PAS RACCORDER À UN AUTRE CONDUIT OU SYSTÈME DE DISTRIBUTION D'AIR.

- NE PAS RACCORDER DIRECTEMENT À UNE CHEMINÉE EN MAÇONNERIE.

- NE PAS FAIRE DÉBOUCHER L'ÉVACUATION DANS UN ESPACE FERMÉ OU SEMI-FERMÉ TEL QU'UN ABRI À VOITURE, GARAGE, GRENIER, VIDE SANITAIRE, SOLARIUM, GALERIE, PASSAGE PIÉTON OU AUTRE ENDROIT FERMÉ, NI DANS AUCUN ENDROIT OÙ LES FUMÉES PEUVENT S'ACCUMULER TEL QU'UNE CAGE D'ESCALIER, UN PASSAGE COUVERT, ETC.

- NE JAMAIS TOUCHER LES LOQUETS DE PORTE ALORS QUE LE POÊLE EST ALLUMÉ, ILS DEVIENNENT EXTRÊMEMENT CHAUDS.

CE POÊLE DOIT ÊTRE INSTALLÉ CORRECTEMENT POUR ASSURER UN FONCTIONNEMENT SÛR ET EFFICACE. UNE MAUVAISE INSTALLATION DE CE PRODUIT PEUT ENTRAÎNER UN INCENDIE ET DES BLESSURES CORPORELLES.

VEILLER À RESPECTER TOUS LES CODES DU BÂTIMENT EN VIGUEUR LOCALEMENT. AUX ENDROITS OÙ LE CODE DU BÂTIMENT PRÉVOIT, POUR L'INSTALLATION DE CE PRODUIT, DES ÉTAPES SUPPLÉMENTAIRES NE FIGURANT PAS DANS CE MANUEL, LE CODE DU BÂTIMENT PRÉVAUT ET DOIT ÊTRE RESPECTÉ. S'ADRESSER À L'INSPECTEUR EN BÂTIMENT LOCAL POUR OBTENIR TOUS LES PERMIS OU LES RÈGLES D'INSPECTION NÉCESSAIRES AVANT D'INSTALLER LE PRODUIT.



ATTENTION

VEILLER À RESPECTER TOUS LES CODES DU BÂTIMENT EN VIGUEUR LOCALEMENT. AUX ENDROITS OÙ LE CODE DU BÂTIMENT PRÉVOIT, POUR L'INSTALLATION DE CE PRODUIT, DES ÉTAPES SUPPLÉMENTAIRES NE FIGURANT PAS DANS CE MANUEL, LE CODE DU BÂTIMENT PRÉVAUT ET DOIT ÊTRE RESPECTÉ. S'ADRESSER À L'INSPECTEUR EN BÂTIMENT LOCAL POUR OBTENIR TOUS LES PERMIS OU LES RÈGLES D'INSPECTION NÉCESSAIRES AVANT D'INSTALLER LE PRODUIT.

CONSULTER LES SERVICES DU BÂTIMENT OU D'INCENDIE LOCAUX CONCERNANT LES RESTRICTIONS ET LES EXIGENCES D'INSPECTION D'INSTALLATION EN VIGUEUR.

S'ADRESSER AUX AUTORITÉS LOCALES (SERVICE DE LA CONSTRUCTION MUNICIPAL, SERVICE D'INCENDIE, BUREAU DE LA PRÉVENTION DES INCENDIES, ETC.) POUR DÉTERMINER SI UN PERMIS EST NÉCESSAIRE.

LE POÊLE À GRANULES CASTLE PELLET STOVES EST CONÇU POUR BRÛLER UNIQUEMENT DES COMBUSTIBLES EN GRANULES.

UN DÉTECTEUR DE FUMÉE EN ÉTAT DE MARCHÉ DOIT ÊTRE INSTALLÉ DANS LA MÊME PIÈCE QUE LE POÊLE.

CE POÊLE N'EST PAS DESTINÉ À UNE UTILISATION DANS DES APPLICATIONS COMMERCIALES.

LA PORTE ET LE CENDRIER DOIVENT ÊTRE FERMÉS ET VERROUILLÉS DURANT LE FONCTIONNEMENT.

VEILLER À INFORMER L'ASSURANCE DE L'INSTALLATION DU POÊLE À GRANULES.

CETTE INSTALLATION DOIT ÊTRE CONFORME AUX CODES LOCAUX. EN L'ABSENCE DE CODES LOCAUX, ELLE DOIT ÊTRE CONFORME À ASTM E1509, (UM) 84-HUD ET UCL S627-2000.

L'INTÉGRITÉ STRUCTURELLE DU PLANCHER, DES MURS ET DU PLAFOND/TOIT DES MAISONS MANUFACTURÉES DOIT ÊTRE PRÉSERVÉE.

GARDER LES MATIÈRES COMBUSTIBLES (HERBES, FEUILLES, ETC.) À 1 MÈTRE AU MOINS DE LA BOUCHE D'ÉVACUATION DE FUMÉE SUR L'EXTÉRIEUR DU BÂTIMENT.

CE POÊLE NE DOIT PAS ÊTRE UTILISÉ EN TANT QU'UNIQUE SOURCE DE CHAUFFAGE DE LA MAISON. LES COUPURES D'ÉLECTRICITÉ ET L'ENTRETIEN PÉRIODIQUE RÉSULTERAIENT EN UNE PERTE TOTALE DE CHAUFFAGE.

NE PAS LAISSER LE COUVERCLE DE TRÉMIE OUVERT.



ATTENTION

L'INSTALLATION ET LES RÉPARATIONS DE CE POÊLE À GRANULES DOIVENT ÊTRE CONFIEES À UN TECHNICIEN D'ENTRETIEN QUALIFIÉ. L'APPAREIL DOIT ÊTRE INSPECTÉ AVANT UTILISATION ET AU MOINS UNE FOIS PAR AN PAR UN TECHNICIEN D'ENTRETIEN QUALIFIÉ. IL EST IMPÉRATIF QUE LES COMPARTIMENTS DE COMMANDE, LE FOYER ET LES CANAUX DE CIRCULATION D'AIR DU POÊLE SOIENT MAINTENUS PROPRES.

L'UTILISATION DE VENTILATEURS D'EXTRACTION TELS QUE LES VENTILATEURS DE SALLE DE BAIN OU DE GRENIER PEUT PRIVER LE POÊLE À GRANULES D'AIR DE COMBUSTION EN CRÉANT UNE DÉPRESSION DANS LA PIÈCE. PRÉVOIR UNE VENTILATION SUFFISANTE DE LA PIÈCE OÙ SE TROUVE LE POÊLE À GRANULES. SINON, LE MANOCONTACT PEUT COUPER LE FONCTIONNEMENT DU POÊLE À GRANULES.

LES PIÈCES EN MOUVEMENT DE CE POÊLE SONT ENTRAÎNÉES PAR DES MOTEURS ÉLECTRIQUES DE COUPLE ÉLEVÉ. CES PIÈCES PEUVENT CAUSER DE GRAVES BLESSURES AUX PARTIES DU CORPS QUI S'EN APPROCHENT. GARDER TOUTES LES PARTIES DU CORPS À L'ÉCART DE LA VIS SANS FIN ET DES VENTILATEURS LORSQUE LE POÊLE EST BRANCHÉ SUR UNE PRISE ÉLECTRIQUE. CES PIÈCES PEUVENT SE METTRE EN MOUVEMENT À TOUT MOMENT QUAND LE POÊLE EST BRANCHÉ.

LES SURFACES DU CONDUIT D'ÉVACUATION PEUVENT ÊTRE SUFFISAMMENT CHAUDES POUR CAUSER DES BRÛLURES AU TOUCHER. UN ÉCRAN OU DES PROTECTIONS NON COMBUSTIBLES PEUVENT ÊTRE REQUIS.

POSER LE CONDUIT D'ÉVACUATION EN RESPECTANT LES DÉGAGEMENTS SPÉCIFIÉS PAR LE FABRICANT.

TOUS LES RACCORDS D'ÉVACUATION, QU'ILS SOIENT VERTICAUX OU HORIZONTAUX, DOIVENT ÊTRE RENDUS ÉTANCHES AUX GAZ À L'AIDE DE PRODUITS D'ÉTANCHÉITÉ RECOMMANDÉS PAR LE FABRICANT DE L'ÉVACUATION.

EN VERTU DES EXIGENCES HUD (HOUSING & URBAN DEVELOPMENT), SI CE POÊLE EST INSTALLÉ DANS UNE MAISON MOBILE, IL DOIT ÊTRE MIS À LA MASSE PAR RACCORDEMENT DIRECT AU CHÂSSIS EN ACIER DE LA MAISON ET BOULONNÉ AU PLANCHER. UNE ARRIVÉE D'AIR DIRECTE DOIT ÊTRE PRÉVUE, UTILISER UN NÉCESSAIRE AIR FRAIS.

À UTILISER AUX ÉTATS-UNIS ET AU CANADA. HOMOLOGUÉ POUR UNE INSTALLATION DANS DES MAISONS MOBILES.

CASTLE PELLET STOVES, LE FABRICANT DE CET APPAREIL, SE RÉSERVE LE DROIT DE MODIFIER SES PRODUITS, LEURS CARACTÉRISTIQUES OU LEURS PRIX SANS PRÉAVIS.

TABLE DES MATIÈRES

AVERTISSEMENTS ET MESURES DE PRÉCAUTION	2-5
Table des matières	6
ENREGISTREMENT ET REGISTRE D'ENTRETIEN.....	7
INTRODUCTION.....	8
Combustion de granules	8
Fonctions de sécurité automatiques.....	8
CARACTÉRISTIQUES.....	9
DÉBALLAGE	9
INSTALLATION.....	10
Placement du poêle	10
Exigences de protection du plancher.....	10
Dégagements jusqu'aux matériaux combustibles	11
Évacuation	12
Type d'évacuation	12
Pose de l'évacuation du poêle à granules	12
Dégagements préconisés pour la sortie d'évacuation	13-14
Raccordement d'air extérieur	15
Maison mobile.....	15
Exemples d'installation de ventilation.....	16-21
COMPRENDRE LE POËLE	22
SE FAMILIARISER AVEC LA COMMANDE	22
ÉCRAN D'AFFICHAGE PRINCIPAL DE LA COMMANDE	23
ÉCRAN D'AFFICHAGE D'ÉTAT DES COMPOSANTS.....	24
AVANT UTILISATION.....	25
Montage de la commande.....	25
Avant de démarrer	25-26
FONCTIONNEMENT	27
Démarrage	27
Utilisation des différents modes de fonctionnement.....	27
Configuration des autres données sur la commande.....	28-31
DIAGNOSTIC	31
MISE À L'ARRÊT	31
ENTRETIEN	32
Soins et entretien courants.....	32
Entretien quotidien	31
Tâches hebdomadaires, mensuelles et bimensuelles.....	33-35
DÉPANNAGE ET RÉPARATION.....	35
COMMANDE DE PIÈCES DE RECHANGE.....	35
GUIDE DE DÉPANNAGE	36-37
ILLUSTRATION DES PIÈCES DÉTACHÉES	38-43
SCHÉMA DE CÂBLAGE.....	44
RENDEMENT	45
SÉCURITÉ INCENDIE.....	45
GARANTIE.....	46

INTRODUCTION

Nous vous félicitons pour votre investissement dans la qualité. Merci d'avoir acheté un poêle à granules Castle. Nous nous sommes attachés à ce que ce poêle à granules réponde aux plus hautes normes d'utilisation et de durabilité. Moyennant des soins corrects, il offrira de nombreuses années de service fiable. Lire le manuel en entier avant installation et utilisation.

Combustion de granules

Les cendres doivent être enlevées du poêle à intervalles réguliers. Voir la procédure de nettoyage dans la section Soins et entretien courants. En raison de la nature des combustibles en granules, ce poêle nécessite une attention périodique. Le nettoyage régulier est un aspect important de la combustion de granules.

Granules

- Ce poêle à granules est conçu et homologué pour brûler des granules de bois conformes aux normes de l'industrie en la matière, d'une densité minimale de 0,64 g/cm³ (40 lb/pi³), d'un diamètre de 6,4 à 8 mm (1/4 à 5/16 po), d'une longueur maximale de 38 mm (1,5 po) et de moins de 1 % de cendre.
- Les performances du poêle dépendent grandement du type et de la qualité des granules de bois. Comme le rendement thermique des diverses qualités de granules de bois varie, les performances et le rendement thermique du poêle varient en conséquence.
- Les granules de bois sont généralement produits à partir de déchets de bois tels que la sciure et les copeaux. Cette matière première est séchée, fractionnée mécaniquement puis extrudée en granules sous haute pression. Les granules de bois doivent être protégés contre l'exposition directe à l'eau. L'eau issue de la condensation ou de l'humidité ambiante provoque le gonflement et l'éclatement des granules en un combustible inutilisable. Garder le combustible au sec.
- Il est important de sélectionner et d'utiliser uniquement des granules bien secs et exempts de saleté et de débris. L'emploi d'un combustible sale est préjudiciable au fonctionnement et aux performances de l'appareil et a pour effet d'annuler la garantie. Le Pellet Fuel Institute (PFI) a établi des normes pour les fabricants de granules de bois. Utiliser uniquement des granules conformes ou supérieurs aux normes PFI pour les granules combustibles de qualité supérieure. Les granules qui contiennent du papier coloré, du carton, des solvants, des ordures, des détritiques et autres déchets non ligneux devront être évités.

Ne pas brûler : ordures; déchets de tonte ou de jardinage; matériaux contenant du caoutchouc, y compris des pneus; matériaux contenant du plastique; déchets de produits pétroliers, peintures et diluants ou produits bitumineux; matériaux contenant de l'amiante; débris de construction ou de démolition; traverses de chemin de fer ou bois traité sous pression; fumier ou restes d'animaux; produits papetiers, carton, contreplaqué ou panneau de particules.

Scories

- Les impuretés, telles que la silice (scories), doivent être régulièrement nettoyées et enlevées du poêle à granules. Les scories forment une masse dure qui bloque la circulation d'air à travers les parois de la boîte à feu. Les combustibles de haute qualité produisent moins de scories.

Fonctions de sécurité automatiques

Panne d'électricité

Durant une panne d'électricité, le poêle s'éteint en toute sécurité. Ne pas ouvrir la porte principale ni le cendrier. Durant une coupure d'électricité, le ventilateur d'extraction ne fonctionne pas. Le maintien des portes fermées permet un tirage naturel de la fumée vers l'extérieur. Lorsque l'électricité est rétablie, le poêle ne redémarre pas. Si la température des gaz d'évacuation est toujours de 49 °C (120 °C) au rétablissement du courant électrique, les ventilateurs d'extraction et d'air ambiant se mettent en marche jusqu'au refroidissement du poêle. Voir les instructions de redémarrage du poêle à la section « Fonctionnement ».

Surchauffe

Protection contre l'emballement : Le poêle est équipé à la fois d'une protection électronique et mécanique contre l'emballement de la combustion et la surchauffe. Pour éviter les dommages à ses composants, le poêle s'arrête automatiquement si les seuils des contacteurs haute température sont atteints. Le ventilateur d'évacuation continue de fonctionner jusqu'au refroidissement du détecteur de flamme. Laisser le poêle refroidir avant de tenter de le rallumer. Si le poêle ne s'allume pas et qu'il n'y a pas de granules dans la boîte à feu, cela signifie que le thermorupteur mécanique s'est également déclenché et qu'il doit être réarmé manuellement. Pour de plus amples renseignements, voir la section « Fonctionnement ».



AVERTISSEMENT

EN CAS DE COUPURE D'ÉLECTRICITÉ ALORS QUE LE POÊLE EST CHAUD, GARDER TOUTES LES PORTES DU POÊLE FERMÉES.

LES FONCTIONS DE SÉCURITÉ AUTOMATIQUE NE DOIVENT PAS ÊTRE NEUTRALISÉES.



ATTENTION

LA COMBUSTION DE GRANULES DE BOIS CONFORMÉMENT AUX RECOMMANDATIONS ASSURERA UNE GRANDE DURABILITÉ DU POÊLE ET MOINS DE PROBLÈMES LIÉS AU COMBUSTIBLE.

L'UTILISATION DE GRILLES OU AUTRES MOYENS DE SUPPORT DU COMBUSTIBLE DANS CE POÊLE EST INTERDITE ET ANNULE TOUTES LES GARANTIES.

CARACTÉRISTIQUES

Numéro de modèle	Serenity 41278
Capacité de chauffage (1)	140 m ² (1500 p ²)
Alimentation électrique (2)	120 V, 60 Hz
Consommation électrique	402 W allumage 77 W fonctionnement
Capacité de combustible	18 kg (40 lb)
Diamètre d'évacuation (3)	76 mm (3 po)
Largeur	464 mm (18,25 po)
Hauteur	864 mm (34 po)
Profondeur	603 mm (23,75 po)
Poids	84 kg (186 lb)

- (1) Basé sur une maison post-1982 nécessitant 35 BTU/h par pied carré. Le rendement thermique dépend de la marque, du type et de la qualité du combustible et de sa teneur en humidité. Pour obtenir les meilleurs résultats, consulter le revendeur.
- (2) Installer suivant NFPA 70 et respecter tous les codes provinciaux et locaux, obtenir l'assistance d'un électricien agréé.
- (3) Installer suivant NFPA 211 et respecter tous les codes provinciaux et locaux, obtenir l'assistance d'un installateur agréé.

Étiquette d'homologation :



Testé suivant les normes suivantes : ASTM E1509, ULC S627, and ASTM E2779, ASTM E2515, et CSA B415.1

Caractéristiques de la vitre

Ce poêle est équipé d'une vitre céramique de 5 mm. Remplacer la vitre uniquement par une vitre céramique de marque Castle Pellet Stoves. Pour les pièces de rechange, appeler le revendeur ou Castle au 1-800-345-6007.

REMARQUE CONCERNANT LA CONFORMITÉ

L'appareil de chauffage à granules Serenity de Castle est conforme aux limites d'émission de l'U.S. Environmental Protection Agency pour les appareils de chauffage à granules vendus après le 15 mai 2020.



ATTENTION

CETTE INSTALLATION DOIT ÊTRE CONFORME AUX CODES LOCAUX. EN L'ABSENCE DE CODES LOCAUX, ELLE DOIT ÊTRE CONFORME À ASTM E1509, ASTM E2779, ASTM E-2515, CSA B415.1, AND ULC S627.

CASTLE PELLET STOVES, LE FABRICANT DE CET APPAREIL, SE RÉSERVE LE DROIT DE MODIFIER SES PRODUITS ET LEURS CARACTÉRISTIQUES SANS PRÉAVIS.

S'ASSURER QUE LA TRÉMIE EST EXEMPTÉ DE TOUTE MATIÈRE ÉTRANGÈRE AVANT DE LA REMPLIR DE COMBUSTIBLE. LES MATIÈRES ÉTRANGÈRES PROVOQUENT DES BLOCAGES DE LA VIS SANS FIN ET ANNULENT LA GARANTIE.

Cet appareil de chauffage au bois nécessite un entretien et des réparations périodiques pour fonctionner correctement. En vertu des lois fédérales, il est interdit d'utiliser cet appareil de chauffage au bois de façon contraire aux instructions d'utilisation figurant dans ce manuel. Cet appareil de chauffage au bois présente un taux de combustion bas minimum qui est réglé par le fabricant et ne devra pas être modifié. En vertu des lois fédérales, il est interdit de modifier ce réglage ni d'utiliser autrement cet appareil de chauffage au bois de façon contraire aux instructions d'utilisation figurant dans ce manuel.

DÉBALLAGE

Le poêle Castle Serenity est livré partiellement assemblé. Enlever tout le matériau d'emballage et le ruban adhésif de l'intérieur du foyer. Décoller tout ruban adhésif de l'extérieur de la vitre. Ouvrir la trémie, retirer tout le matériel d'emballage, le sac de pièces, le sac manuel, le creuset de combustion, le contrôleur et le cordon d'alimentation. Un sac de pièces contenant une (1) télécommande, un (1) fusible de rechange, une (1) clé de 13 mm, une (1) clé hexagonale de 4 mm et quatre (4) pieds réglables est inclus pour votre commodité.

1. À l'aide de la clé de 13 mm, retirez les quatre (4) boulons du bas de la palette qui fixent le poêle à la palette.
2. Installez les quatre (4) pieds réglables au bas du poêle.
3. Ouvrez la porte et installez le pot de combustion comme indiqué à la page 32 du manuel de l'opérateur.
4. A l'aide de la clé hexagonale de 4 mm, installez le contrôleur en suivant les instructions de la page 22 du manuel de l'opérateur.

INSTALLATION

Il est recommandé de faire installer et entretenir le poêle par des professionnels agréés qui sont certifiés spécialistes des granules NFI par le National Fireplace Institute (NFI).

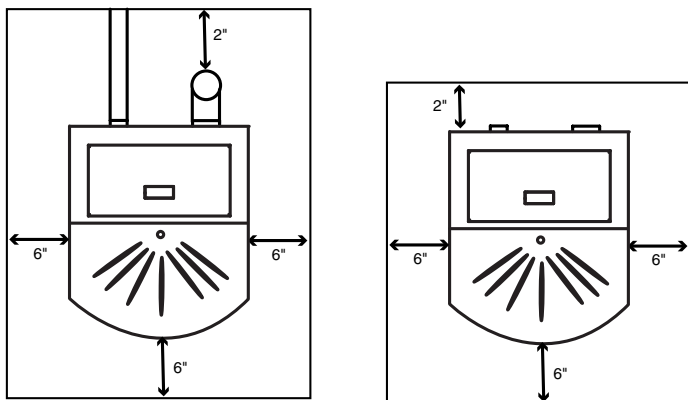
Ce poêle doit être installé correctement pour assurer un fonctionnement sûr et efficace. Une mauvaise installation de ce produit peut entraîner un incendie de maison et des blessures corporelles. Veiller à respecter tous les codes du bâtiment en vigueur localement. Aux endroits où le code du bâtiment prévoit, pour l'installation de ce produit, des étapes supplémentaires ne figurant pas dans ce manuel, le code du bâtiment prévaut et doit être respecté. S'adresser à l'inspecteur en bâtiment local pour obtenir tous les permis ou les règles d'inspection nécessaires avant d'installer le produit.

Placement du poêle

Dessiner un schéma dimensionné de l'installation du poêle avant son placement permanent. Lors de la détermination de l'emplacement du poêle, l'emplacement des poteaux muraux est essentiel. Il peut être nécessaire d'ajuster la position du poêle pour éviter de faire passer le tuyau de fumée à travers un poteau. Avant de positionner le poêle à granules, raccorder l'évacuation en respectant les dégagements minimum requis pour les murs combustibles.

Exigences de protection du plancher

Le poêle doit être installé sur un plancher non combustible, avec une protection de plancher appropriée, ou sur un âtre en maçonnerie. Lorsqu'un conduit en T de nettoyage est prévu à l'intérieur d'une maison, la protection de plancher doit dépasser de 5 cm (2 po) au-delà du T. **VOIR FIGURE 1.** Lorsque l'évacuation du poêle se fait tout droit à travers le mur et que le T de nettoyage est à l'extérieur de la maison, le dégagement minimum est de 5 cm (2 po) entre l'arrière du poêle et le mur. **VOIR FIGURE 2.** Le matériau protecteur de plancher doit être de la tôle métallique de 24 ga (0,6 mm) minimum.



Figures 1 et 2 : Dégagements de la plaque de sol du poêle à granules



AVERTISSEMENT

LIRE CE MANUEL EN ENTIER AVANT D'INSTALLER ET D'UTILISER LE POÊLE. TOUT MANQUEMENT À RESPECTER LES INSTRUCTIONS PEUT PROVOQUER DES DÉGÂTS MATÉRIELS, DES BLESSURES CORPORELLES, VOIRE LA MORT.

NE PAS POSER DE REGISTRE DE TIRAGE DANS LE SYSTÈME D'ÉVACUATION DE L'APPAREIL.

NE PAS RACCORDER CET APPAREIL À UN CONDUIT DE FUMÉE UTILISÉ POUR UN AUTRE APPAREIL.

LES ENFANTS ET LES ADULTES DOIVENT ÊTRE ALERTÉS DES DANGERS DE HAUTE TEMPÉRATURE DES SURFACES ET SE TENIR À L'ÉCART POUR ÉVITER LE CONTACT AVEC LES PEAU ET LES VÊTEMENTS.

LES JEUNES ENFANTS DOIVENT ÊTRE SURVEILLÉS AVEC ATTENTION S'ILS SONT DANS LA MÊME PIÈCE QUE LE POÊLE.

NE PAS PLACER DE VÊTEMENTS NI D'AUTRES MATIÈRES INFLAMMABLES SUR OU PRÈS DE CET APPAREIL.



ATTENTION

CE POÊLE NE DOIT PAS ÊTRE UTILISÉ EN TANT QU'UNIQUE SOURCE DE CHAUFFAGE DE LA MAISON. LES COUPURES D'ÉLECTRICITÉ ET L'ENTRETIEN PÉRIODIQUE RÉSULTERAIENT EN UNE PERTE TOTALE DE CHAUFFAGE.

CONSULTER LES SERVICES DU BÂTIMENT OU D'INCENDIE LOCAUX CONCERNANT LES RESTRICTIONS ET LES INSPECTIONS D'INSTALLATION EN VIGUEUR.

S'ADRESSER AUX AUTORITÉS LOCALES (SERVICE DE LA CONSTRUCTION MUNICIPALE, SERVICE D'INCENDIE, BUREAU DE LA PRÉVENTION DES INCENDIES, ETC.) POUR DÉTERMINER SI UNE PERMIS EST NÉCESSAIRE. GARDER LES MATIÈRES COMBUSTIBLES (HERBES, FEUILLES, ETC.) À 1 MÈTRE AU MOINS DE LA BOUCHE D'ÉVACUATION DE FUMÉE SUR L'EXTÉRIEUR DU BÂTIMENT.

L'INSTALLATION ET LES RÉPARATIONS DE CE POÊLE À GRANULES DOIVENT ÊTRE CONFIEES À UN TECHNICIEN D'ENTRETIEN QUALIFIÉ. L'APPAREIL DOIT ÊTRE INSPECTÉ AVANT UTILISATION ET AU MOINS UNE FOIS PAR AN PAR UN TECHNICIEN D'ENTRETIEN QUALIFIÉ. IL EST IMPÉRATIF QUE LES COMPARTIMENTS DE COMMANDE, LE FOYER ET LES CANAUX DE CIRCULATION D'AIR DU POÊLE SOIENT MAINTENUS PROPRES.

Dégagements jusqu'aux matériaux combustibles

REMARQUE : Ces distances sont les dégagements minimum jusqu'aux matériaux combustibles établis par le laboratoire d'essai de l'ASTM (VOIR FIGURES 3, 4, 5 et 6).

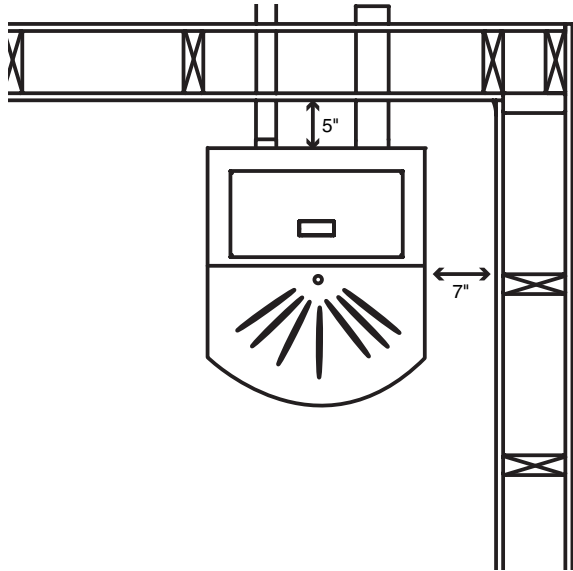


Figure 3 : Pose droite, évacuation à travers le mur

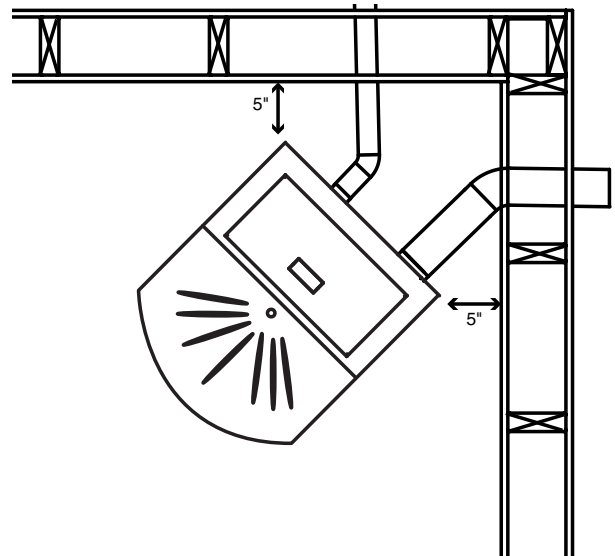


Figure 4 : Pose d'angle, évacuation à travers le mur

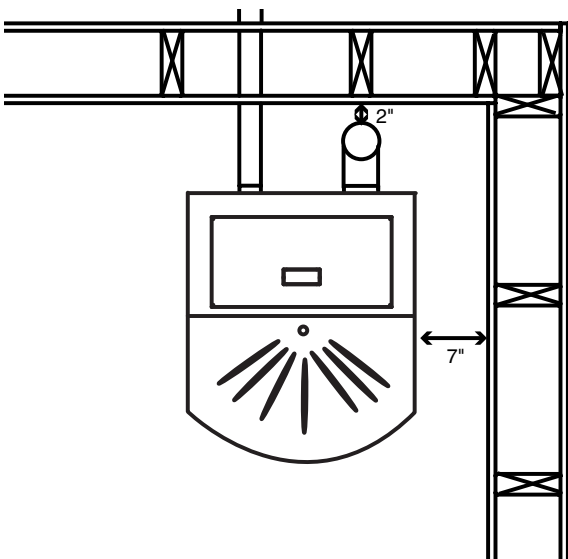


Figure 5 : Pose droite, évacuation verticale intérieure

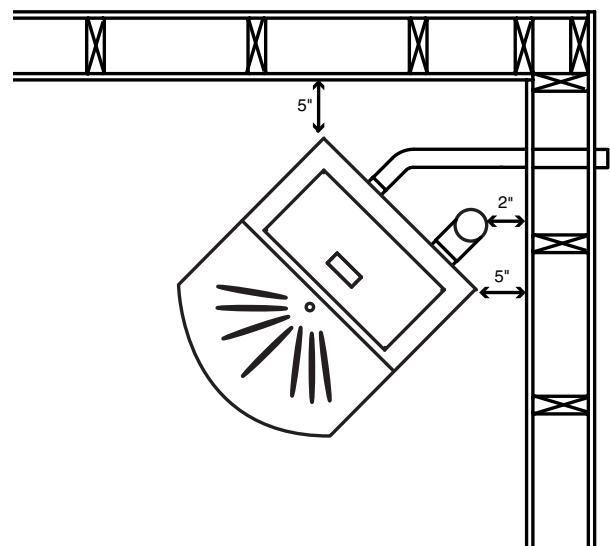


Figure 6 : Pose d'angle, évacuation verticale intérieure

REMARQUE : Lorsqu'un conduit d'évacuation intérieur est installé verticalement, le dégagement jusqu'au mur arrière dépend de la taille du conduit utilisé. Poser le conduit d'évacuation en respectant le dégagement spécifié par le fabricant du conduit. Veiller à tenir compte de tous les coudes ou tés tournés vers le haut.

Évacuation

Avant de poser l'évacuation, consulter les spécifications et recommandations du fabricant de conduits pour toutes les installations d'évacuation.

Les directives de pose suivantes doivent être respectées pour assurer la conformité à la fois avec l'homologation de sécurité de ce poêle et les codes du bâtiment locaux.

Remarque : Lorsque la traversée d'un mur ou d'une cloison de matériaux combustibles est souhaité, la pose doit être conforme à CAN/CSA-8365.

Type d'évacuation

Le tuyau d'évacuation du poêle à granules (appelé conduit en L) comporte deux épaisseurs de tôle séparées par une couche d'air. Cette couche d'air joue un rôle isolant qui réduit la température de la surface extérieure du tuyau et créer un espacement par rapport aux matériaux combustibles.

Un système d'évacuation de poêle à granules de type L de 3 ou 4 pouces homologué UL doit être utilisé pour l'installation et attaché au raccord de tuyau sur l'arrière du poêle. Utiliser adaptateur de 3 po à 4 po si un tuyau de 4 po est utilisé. Les cheminées d'évacuation de type L doivent être terminées par un chapeau. Aux altitudes de plus de 750 m (2500 pi) au-dessus du niveau de la mer, un conduit L de 4 po est requis.

Pose de l'évacuation du poêle à granules

La sortie d'évacuation doit **IMPÉRATIVEMENT** déboucher plus haut que la prise d'air.

Il est requis de poser au moins 90 cm (3 pi) de conduit d'évacuation vertical. Ce tuyau vertical crée une forme de tirage naturel pour éviter le risque de refoulement de fumée ou d'odeurs lorsque l'appareil est éteint et évite que l'évacuation présente une nuisance ou un danger d'exposition à des températures élevées.

L'installation doit comporter un té de nettoyage pour la collecte des cendres volantes et le nettoyage périodique du système d'évacuation.

La longueur totale de conduit horizontal ne doit pas dépasser 3 mètres (10 pi). La hauteur d'évacuation verticale maximale conseillée est de 5,5 mètres (18 pi).



Tous les joints de conduit d'évacuation doivent être attachés avec au moins trois vis et tous les raccords d'évacuation (y compris adaptateurs, coudes, etc.) doivent être rendus étanches à l'air par l'injection de silicone RTV de 500 °F (260 °C) dans les interstices entre les sections de tuyau.

La traversée du tuyau d'évacuation vers l'extérieur de la maison doit être rendu étanche avec du silicone ou tout autre moyen de maintien de l'écran pare-vapeur entre l'extérieur et l'intérieur de la maison.



ATTENTION

NE PAS RACCORDER CET APPAREIL À UN CONDUIT DE FUMÉE UTILISÉ POUR UN AUTRE APPAREIL.

NE PAS POSER DE REGISTRE DE TIRAGE DANS LE SYSTÈME D'ÉVACUATION DE L'APPAREIL.

NE PAS RACCORDER DIRECTEMENT À UNE CHEMINÉE EN MAÇONNERIE.

NE PAS FAIRE DÉBOUCHER L'ÉVACUATION DANS UN ESPACE FERMÉ OU SEMI-FERMÉ TEL QU'UN ABRI À VOITURE, GARAGE, GRENIER, VIDE SANITAIRE, SOLARIUM, GALERIE, PASSAGE PIÉTON OU AUTRE ENDROIT FERMÉ, NI DANS AUCUN ENDROIT OÙ LES FUMÉES PEUVENT S'ACCUMULER TEL QU'UNE CAGE D'ESCALIER, UN PASSAGE COUVERT, ETC.



AVERTISSEMENT

LES SURFACES DU CONDUIT D'ÉVACUATION PEUVENT ÊTRE SUFFISAMMENT CHAUDES POUR CAUSER DES BRÛLURES AU TOUCHER. UN ÉCRAN OU DES PROTECTIONS NON COMBUSTIBLES PEUVENT ÊTRE REQUIS.

L'ÉVACUATION DU POÊLE DOIT RESPECTER LES DÉGAGEMENTS MINIMUM SPÉCIFIÉS PAR LE FABRICANT DU CONDUIT POUR TOUS LES MATÉRIAUX COMBUSTIBLES.

POSER LE CONDUIT D'ÉVACUATION EN RESPECTANT LES DÉGAGEMENTS SPÉCIFIÉS PAR LE FABRICANT.

TOUS LES RACCORDS D'ÉVACUATION, QU'ILS SOIENT VERTICAUX OU HORIZONTAUX, DOIVENT ÊTRE RENDUS ÉTANCHES AUX GAZ À L'AIDE DE PRODUITS D'ÉTANCHÉITÉ RECOMMANDÉS.

Dégagements préconisés pour la sortie d'évacuation

- L'évacuation du poêle doit déboucher sur l'extérieur du bâtiment. Les sorties horizontales doivent dépasser d'un minimum de 30 cm (12 po) du mur. Les sorties verticales doivent dépasser d'un minimum de 60 cm (24 po) de la surface du toit. **En outre, tous les dégagements indiqués ci-dessous doivent être respectés. VOIR FIGURE 7.**
- La sortie doit comporter un chapeau homologué (pour empêcher la pénétration d'eau) ou un coude à 45° vers le bas avec écran anti-rongeurs.
- Si la bouche de sortie se trouve sur une façade exposée au vent, il est conseillé de protéger la maison par un écran homologué pour éviter l'accumulation de suie sur le mur extérieur.
- Ne pas faire déboucher l'évacuation à un endroit où elle peut être obstruée par la neige ou autres matières.

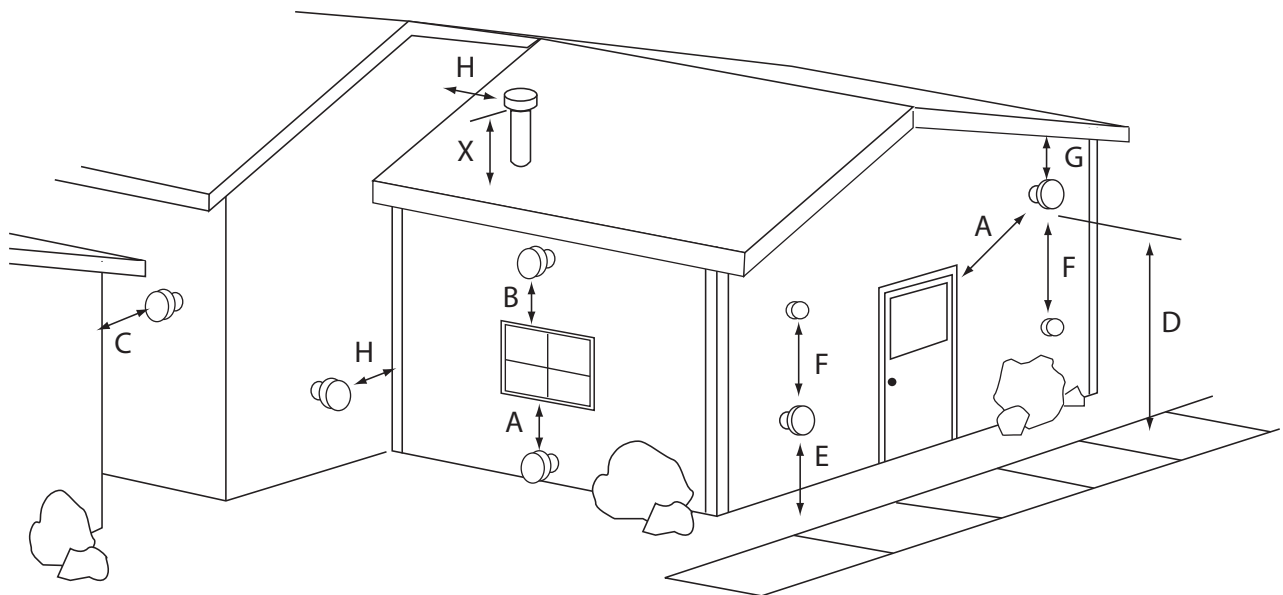


Figure 7 : Sortie d'évacuation

- A : Dégagement minimum de 122 cm (4 pi) en dessous et à côté de toute porte ou fenêtre qui s'ouvre. (Ce dégagement peut être réduit à 46 cm [18 po] en cas d'utilisation d'air extérieur). Il est conseillé de garder la porte ou fenêtre fermée durant la marche. Dégagement minimum de 30 cm (1 pi) en dessous et à côté de toute fenêtre qui ne s'ouvre pas.
- B : Dégagement minimum de 30 cm (1 pi) au-dessus de toute porte ou fenêtre qui s'ouvre.
- C : Dégagement minimum de 60 cm (2 pi) depuis tout bâtiment adjacent.
- D : Dégagement minimum de 2,1 m (7 pi) au-dessus du niveau du sol de toute allée piétonne publique adjacente.

- E : Dégagement minimum de 60 cm (2 pi) au-dessus de toute herbe, plante ou autre matériau combustible.
- F : Dégagement minimum de 90 cm (3 pi) depuis toute prise d'air forcé de tout autre appareil.
- G : Dégagement minimum de 60 cm (2 pi) en dessous des avant-toits et surplombs.
- H : Dégagement horizontal minimum de 30 cm (1 pi) depuis un mur combustible.
- X : Doit être d'un minimum de 60 cm (2 pi) au-dessus du toit.

REMARQUE : La sortie d'évacuation ne doit pas déboucher dans un passage ou une allée couverts.

Évacuation du poêle à granules (voir Figures 8 à 16)



ATTENTION

S'ASSURER QUE L'ÉVACUATION DU POÊLE À GRANULES EST CORRECTE. NE PAS POSER DE REGISTRE DE TIRAGE DANS LE SYSTÈME D'ÉVACUATION DE L'APPAREIL.

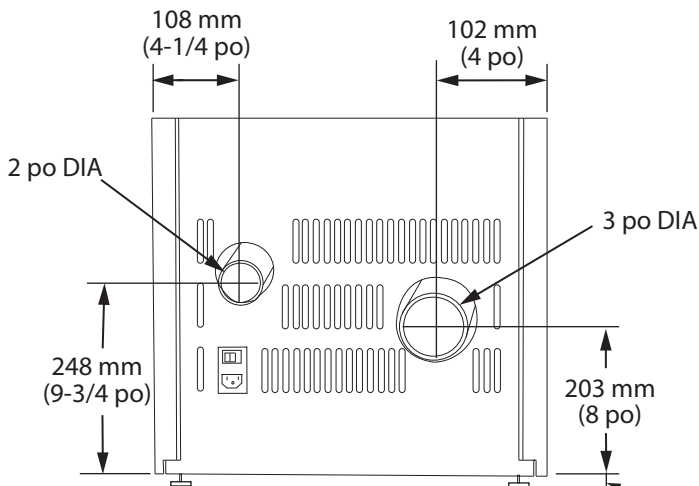
UTILISER UN MANCHON MURAL HOMOLOGUÉ POUR FAIRE PASSER L'ÉVACUATION À TRAVERS UN MUR. UTILISER UN SUPPORT/BOUCLIER PARE-FEU DE PLAFOND POUR FAIRE PASSER L'ÉVACUATION À TRAVERS UN PLAFOND (VEILLER À MAINTENIR LES DÉGAGEMENTS PRÉVUS PAR RAPPORT À TOUTE MATIÈRE COMBUSTIBLE).

SI LE CONDUIT COMPORTE PLUS D'UN TÉ ET UN TOTAL DE 180° DE COUDES, UTILISER IMPÉRATIVEMENT DES TUYAUX D'ÉVACUATION DE 4 POUCES.

L'évacuation doit comporter un support d'appui tous les 1,5 m (5 pi) de conduit lorsqu'il est à l'extérieur du bâtiment.

La hauteur et la longueur de l'évacuation ne doivent pas dépasser les valeurs illustrées dans le diagramme ci-dessous.

Une évacuation dans cette zone grisée (claire) peut nécessiter des ajustements de tension du moteur d'évacuation et/ou des ajustements de la prise d'air (admission). **VOIR FIGURE 9.**



REMARQUE : LES PIEDS RÉGLABLES PEUVENT AJOUTER JUSQU'À 2,5 CM DE HAUTEUR EN FONCTION DES BESOINS DE MISE DE NIVEAU DE L'INSTALLATION. CETTE DIMENSION DEVRA ÊTRE AJOUTÉE À LA HAUTEUR POUR ASSURER LA BONNE INSTALLATION DES CONDUITS D'ÉVACUATION.

Figure 8 : Positions de l'admission et de l'évacuation

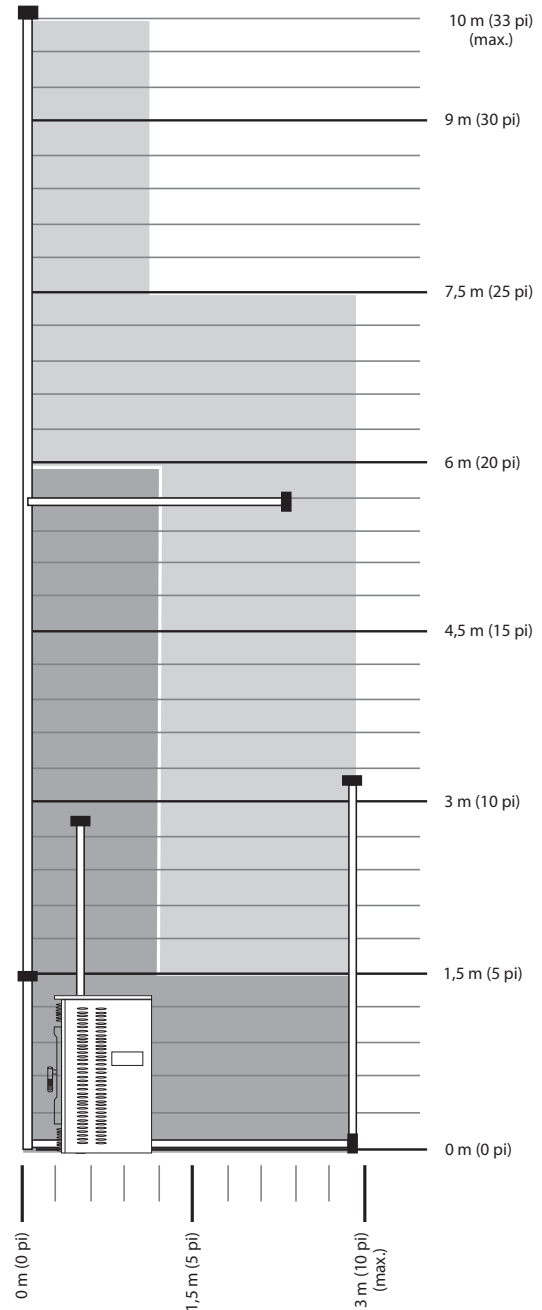


Figure 9 : Table d'évacuation et d'ajustement de tension du moteur d'évacuation

Raccordement d'air extérieur

Le raccordement du tuyau d'admission (tuyau de 2 po de diamètre à l'arrière du poêle, voir Figure 8) vers l'extérieur est **OBLIGATOIRE** dans les maisons mobiles. Il est conseillé dans les maisons très hermétiques équipées de ventilateurs d'extraction dans la cuisine ou la salle de bains. Cela élimine les problèmes de fonctionnement causés par une dépression ambiante.

Seul un tuyau non combustible (droit ou flexible) de 2 po (ou plus) de diamètre peut être utilisé pour les raccordements d'air extérieurs.

REMARQUE : Les tuyaux de PVC ne sont PAS homologués et ne doivent JAMAIS être raccordés au poêle.

CONSEIL PRATIQUE : L'admission d'air d'un poêle à granules Castle accepte des tuyaux et raccords d'échappement automobiles.

Si l'admission d'air est raccordée à l'extérieur, elle doit **IMPÉRATIVEMENT** se terminer par un coude vertical de 90° (vers le bas) ou par un chapeau. Dans le cas contraire, il peut se produire une réinflammation en cas de grand vent soufflant directement dans l'admission d'air durant une panne d'électricité.

Une obstruction, une longueur excessive ou des coudes supplémentaires dans le tuyau d'admission ont pour effet de priver le poêle d'air d'évacuation. Un coude de 90° produit une restriction équivalente à environ 75 cm (30 pi) de tuyau droit.

Maison mobile

L'installation dans une maison mobile doit être en conformité avec la norme sur la sécurité et les maisons manufacturées du *Department of Housing and Urban Development (HUD) CITE: 24CFR3280.707* qui prévoit que le poêle doit être évacué vers l'extérieur. En plus des instructions d'installation standard, les exigences suivantes sont obligatoires pour l'installation dans une maison mobile :

1. Le poêle doit être attaché au plancher de façon permanente.
2. Le poêle doit avoir une source d'air extérieure.
3. Le poêle doit être électriquement relié à la masse par raccordement au châssis en acier de la maison mobile.
4. Tous les conduits de fumée verticaux doivent comporter des supports muraux.
5. Tous les systèmes d'évacuation doivent comporter un pare-étincelles.
6. Vérifier auprès des services du bâtiment locaux si d'autres codes s'appliquent.



AVERTISSEMENT

DANGER D'INTOXICATION AU MONOXYDE DE CARBONE. NE PAS RACCORDER À UN AUTRE CONDUIT OU SYSTÈME DE DISTRIBUTION D'AIR. NE PAS INSTALLER DANS UNE CHAMBRE À COUCHER.



ATTENTION

L'UTILISATION DE VENTILATEURS D'EXTRACTION TELS QUE LES VENTILATEURS DE SALLE DE BAIN OU DE GRENIER PEUT PRIVER LE POÊLE À GRANULES D'AIR DE D'ÉVACUATION EN CRÉANT UNE DÉPRESSION DANS LA PIÈCE. PRÉVOIR UNE VENTILATION SUFFISANTE DE LA PIÈCE OÙ SE TROUVE LE POÊLE À GRANULES. SINON, LE MANOCONTACT PEUT COUPER LE FONCTIONNEMENT DU POÊLE À GRANULES.

L'INTÉGRITÉ STRUCTURELLE DU PLANCHER, DES MURS ET DU PLAFOND/TOIT DES MAISONS MANUFACTURÉES DOIT ÊTRE PRÉSERVÉE.

EXEMPLES DE VENTILATION SIMPLE DU POÊLE

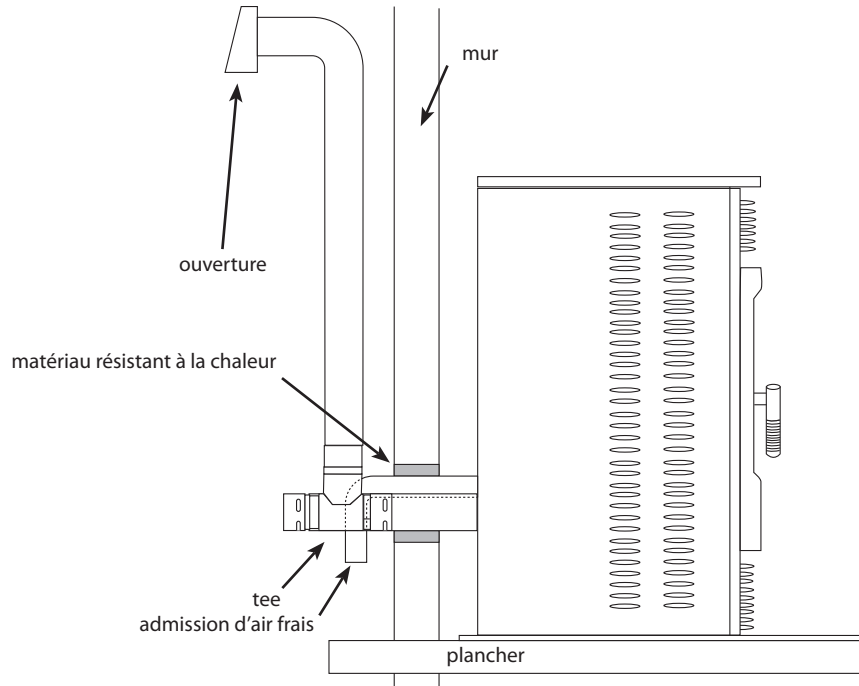


Figure 10 : Pose droite — En dehors élévation verticale, sortie horizontale

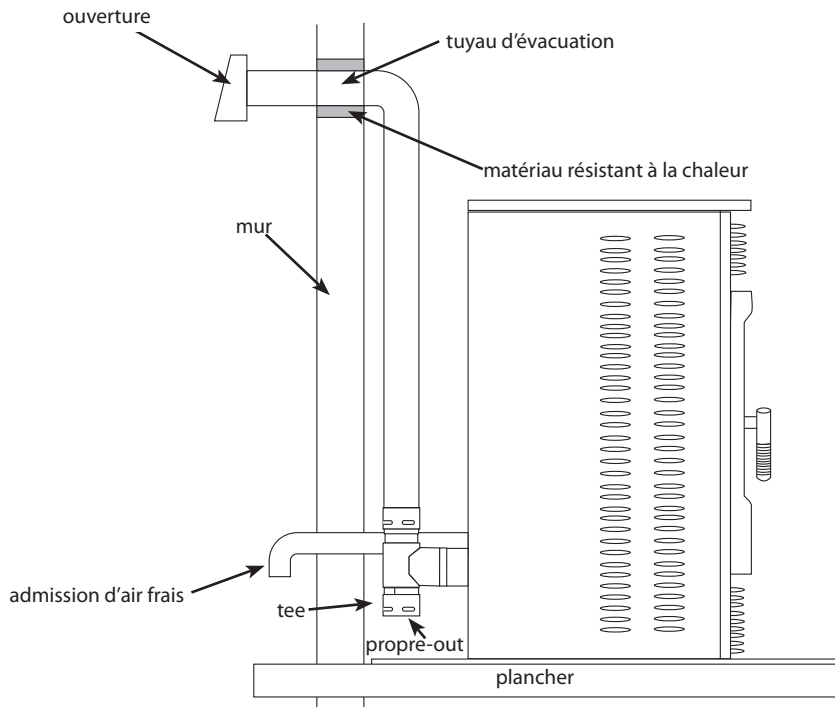
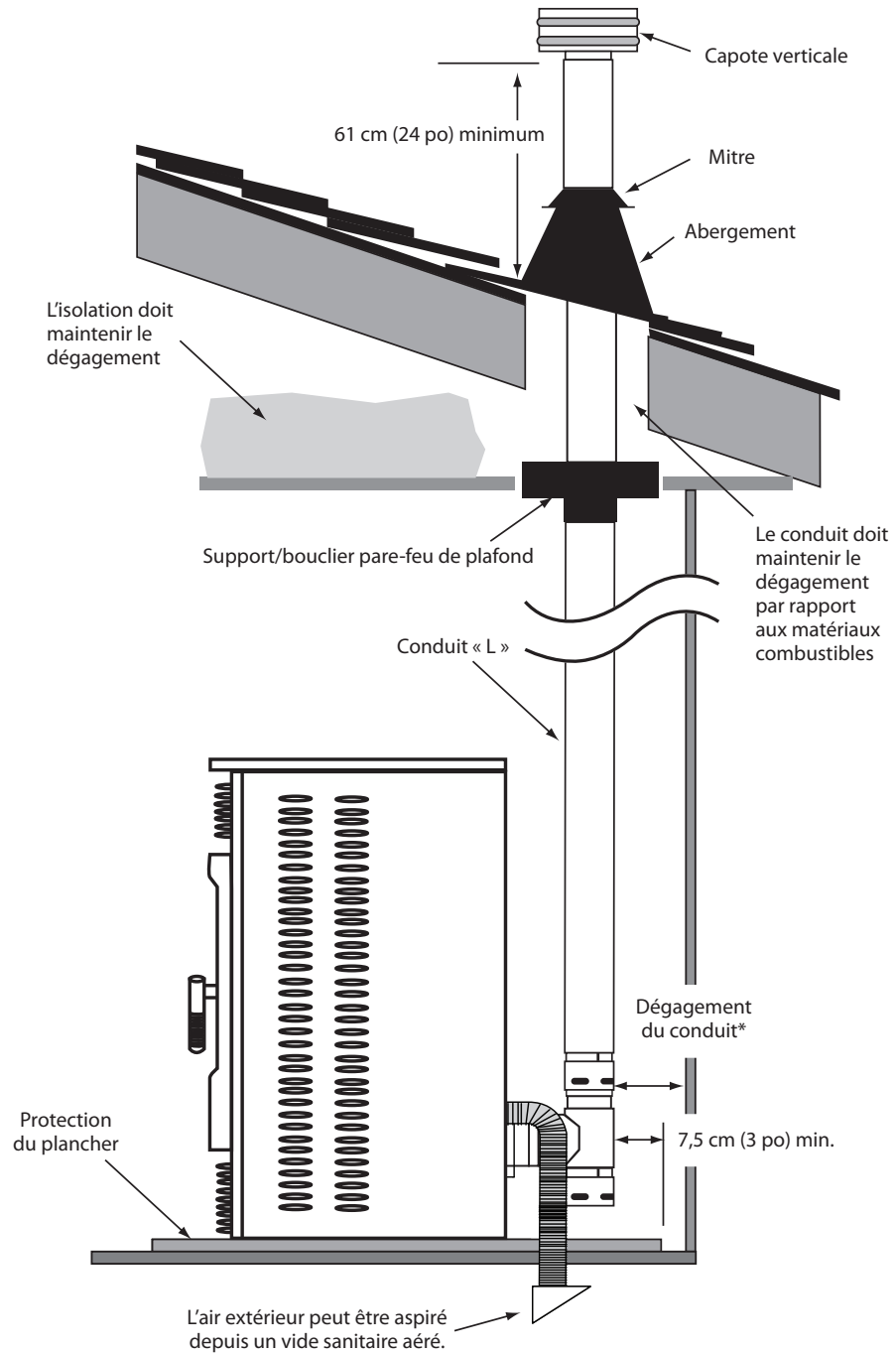


Figure 11 : Pose droite — portion verticale intérieure, sortie horizontale

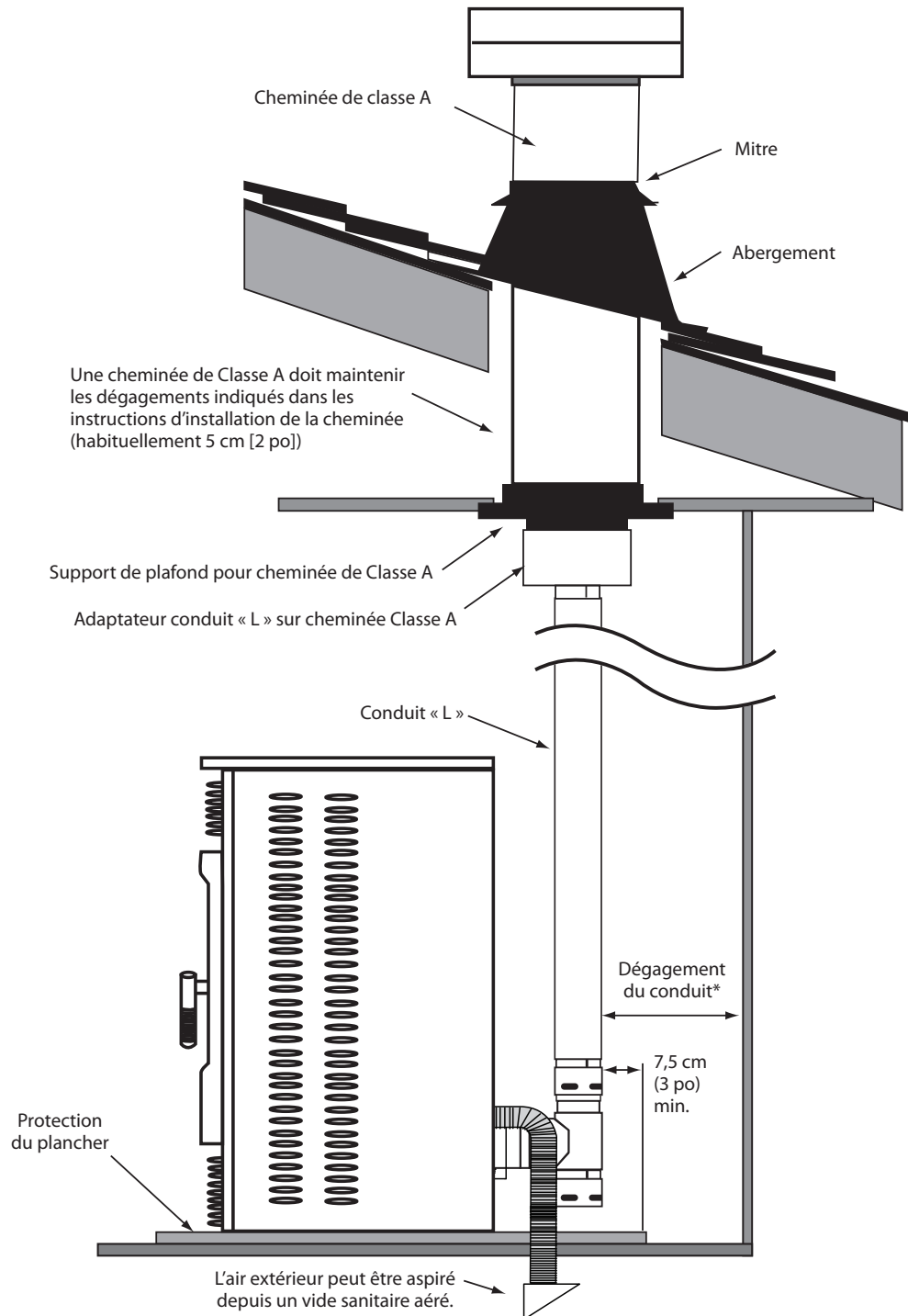
EXEMPLES DE VENTILATION COMPLEXE DU POÊLE



* Poser un conduit d'évacuation en respectant le dégagement spécifié par le fabricant du conduit.

Figure 12 : Pose verticale intérieure

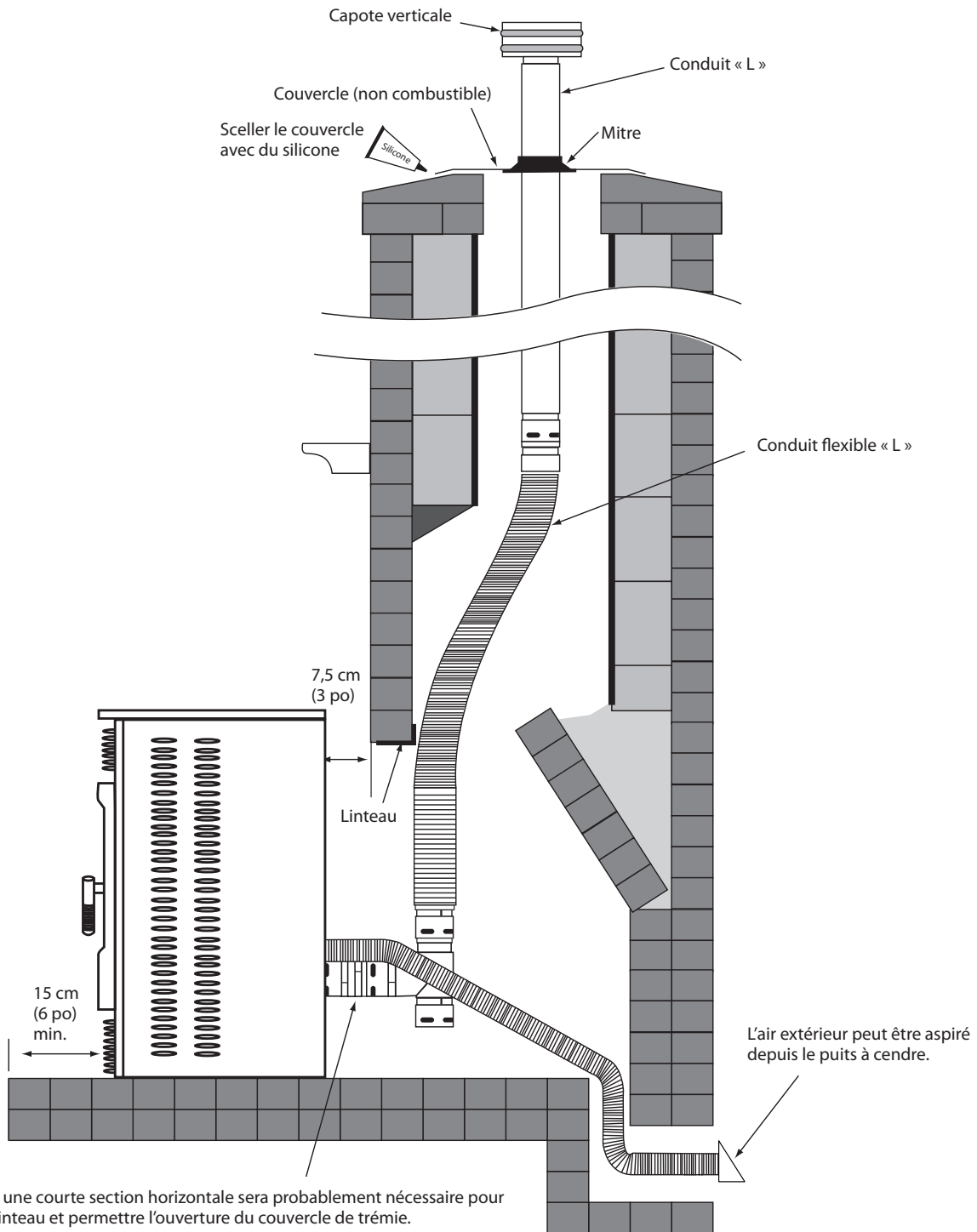
ADAPTATION D'UNE CHEMINÉE DE CLASSE A



* Poser un conduit d'évacuation en respectant le dégagement spécifié par le fabricant du conduit.

Figure 13 : Adaptation d'une cheminée de classe A

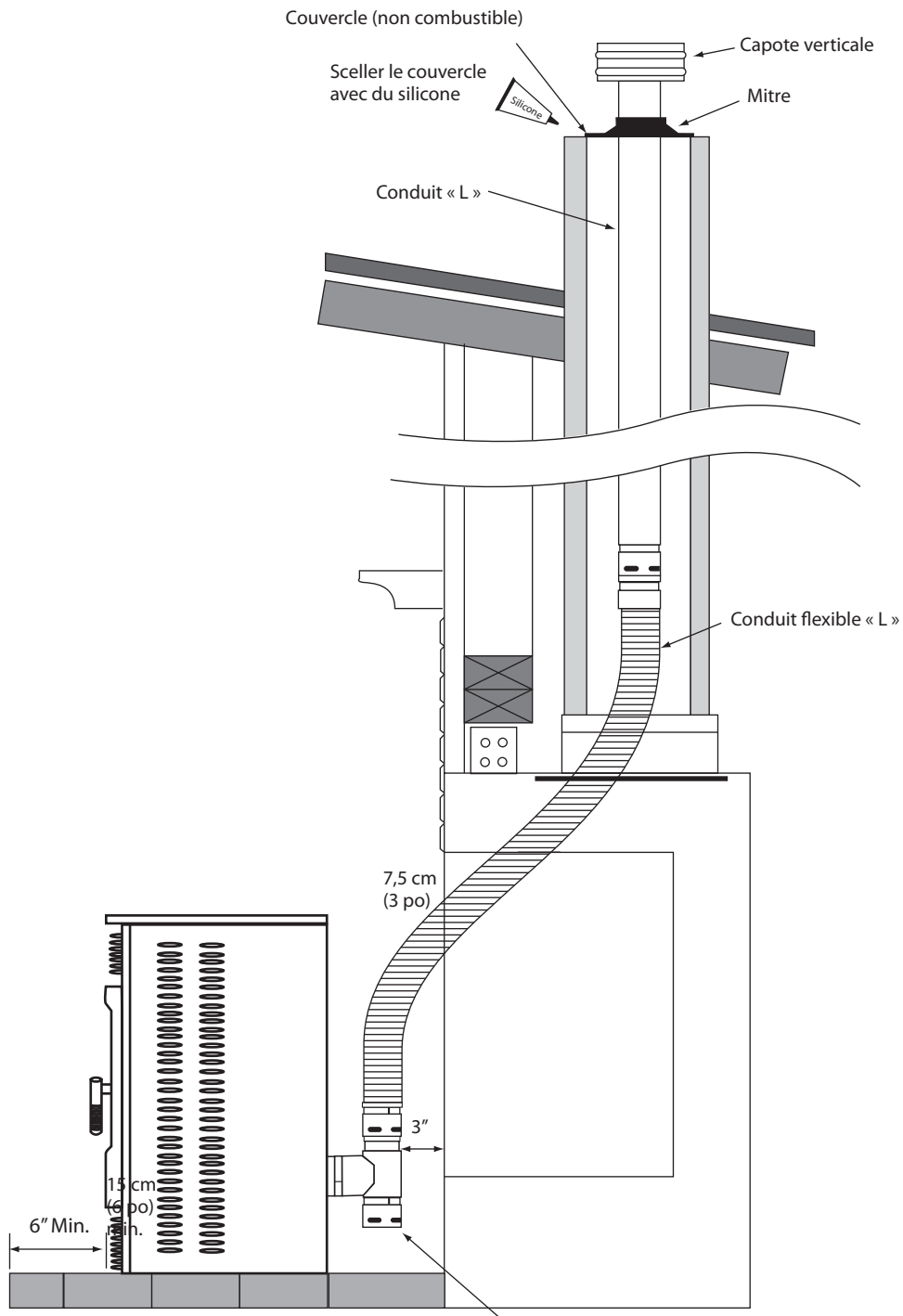
POÊLE POUR ÂTRE DE CHEMINÉE EN MAÇONNERIE



REMARQUE : une courte section horizontale sera probablement nécessaire pour dépasser le linteau et permettre l'ouverture du couvercle de trémie.

Figure 14 : Poêle pour âtre de cheminée en maçonnerie

POÊLE POUR ÂTRE DE CHEMINÉE À DÉGAGEMENT ZÉRO (MÉTALLIQUE)



REMARQUE : une courte section horizontale sera probablement nécessaire pour dépasser le linteau et permettre l'ouverture du couvercle de trémie.

Figure 15 : Poêle pourâtre de cheminée à dégagement zéro (métallique)

CHEMINÉE EN MAÇONNERIE SEULE

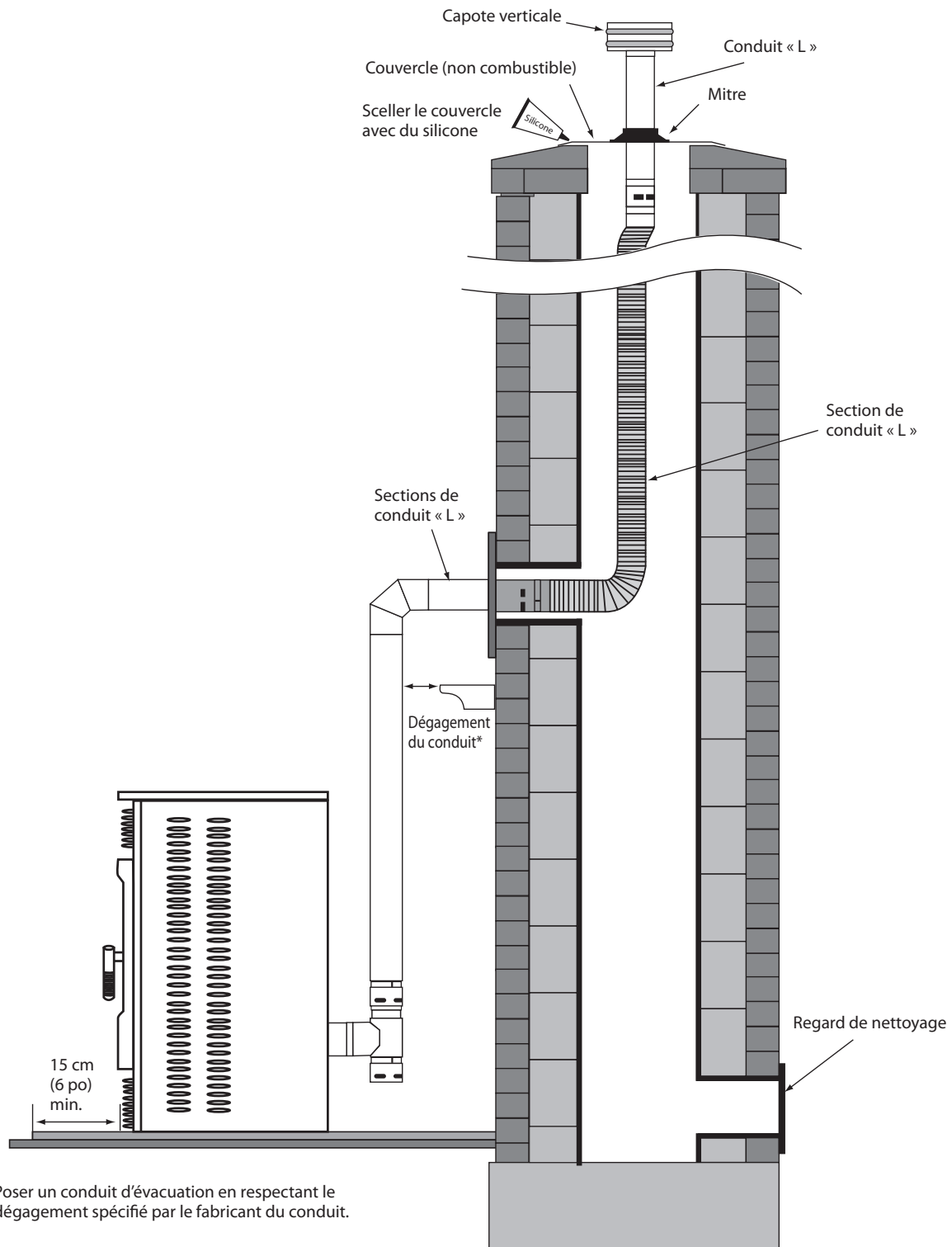


Figure 16: Cheminée en maçonnerie seule

COMPRENDRE LE POÊLE

Le poêle à granules Castle comporte un système d'alimentation de combustible à vis sans fin verticale commandée par un circuit numérique contrôlé par microprocesseur. Le circuit numérique permet un fonctionnement du système d'alimentation en combustible suivant un cycle temporisé non continu ; cela permet à la vis sans fin de tourner pendant une durée préétablie. La vis sans fin fait remonter les granules dans une goulotte à l'intérieur de la trémie. Les granules tombent ensuite à travers une autre goulotte jusqu'à la boîte à feu. Le poêle est équipé d'un système d'allumage automatique qui doit allumer le combustible dans les 5 minutes après avoir appuyé sur la touche Marche/Arrêt. Lorsque les granules remplissent la boîte à feu et s'allument, l'air extérieur est aspiré à travers le combustible et chauffé durant le processus d'évacuation, puis aspiré à travers l'échangeur thermique par le moteur d'évacuation ou le ventilateur de tirage. Lorsque le poêle atteint sa température de fonctionnement, l'air de la pièce est circulé autour de l'échangeur thermique par une soufflante d'air ambiant et l'air chaud est distribué dans la pièce.

La quantité de chaleur produite par le poêle est proportionnelle au taux de combustible qui est brûlé.

Comme une pression de tirage forcé est requise par le processus d'évacuation à l'intérieur du poêle, est extrêmement important que le système d'évacuation soit installé et entretenu correctement. En outre, les portes doivent rester fermées durant le fonctionnement et les joints des portes doivent être correctement entretenus.

SE FAMILIARISER AVEC LA COMMANDE

Touches de commande (VOIR FIGURES 17 et 18)

1. **Récepteur infrarouge** - Reçoit les signaux de la télécommande (proposée séparément).
2. **Indicateur de marche** - S'allume lorsque l'interrupteur principal est en marche.
3. **Voyant d'alarme** - S'allume si le poêle ne fonctionne pas correctement.
4. **Touche Marche/Arrêt** - Démarre et arrête le poêle.
5. **Touche de défilement d'écran** - Permet d'alterner entre l'écran principal et l'écran des indicateurs d'état des composants.
6. **Touche de transfert de mode** - Permet de régler l'appareil sur l'un des trois modes principaux : manuel, température et hebdomadaire.
7. **Touche Maintien** - En mode hebdomadaire, une pression sur le bouton Maintien après avoir augmenté la température de consigne a pour effet de maintenir cette température jusqu'à une nouvelle pression sur ce bouton ou la mise à l'arrêt du poêle.
8. **Touche de défilement haut** - Permet de faire défiler le menu affiché vers le haut.
9. **Touche Sortie** - Permet de quitter la sélection en cours et de revenir à l'option et/ou écran précédent. Lors de la saisie de données, la touche Sortie a aussi pour effet de supprimer les données saisies.

10. **Touche de défilement bas** - Permet de faire défiler le menu affiché vers le bas.
11. **Touche Entrée** - Permet d'ajuster et de sélectionner des données à l'écran. Une pression de deux secondes sur la touche Entrée renvoie au menu principal, d'où il est possible de changer l'heure, la date, l'affichage de température, le mode Eco, le calendrier de marche hebdomadaire (en mode hebdomadaire seulement) et les réglages de tension et du moteur de combustion.



Figure 17 : Tableau de commande



Figure 18 : Emplacement du tableau de commande

ÉCRAN D'AFFICHAGE PRINCIPAL DE LA COMMANDE

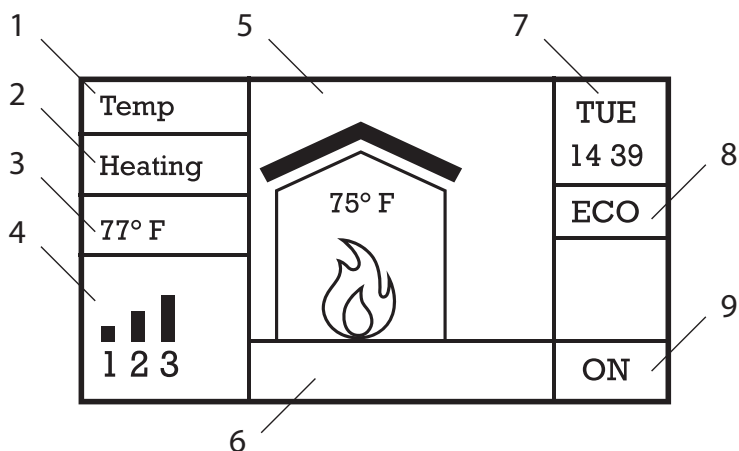


Figure 19a : Écran principal de la commande

Figure 19a : Écran d'affichage principal de la commande

1. **Mode de chauffage** : Affiche le mode d'exploitation - manuel, température ou hebdomadaire.
2. **Phase de marche** : Affiche la phase de fonctionnement dans laquelle se trouve actuellement le poêle (allumage, chauffage, mise à l'arrêt).
3. **Température de consigne** : Affiche la température ambiante souhaitée réglée par l'utilisateur. Visible uniquement en mode température ou hebdomadaire.
4. **Niveau de puissance de chauffage** : Indique le niveau de chauffage auquel le poêle fonctionne. Les niveaux vont de 1 à 5, où 1 est le plus bas. Le niveau de chauffage ne joue un rôle qu'en mode manuel.
5. **Température ambiante** : Affiche la température ambiante enregistrée par le thermostat du poêle.
6. **Zone de messages et alertes** : Affiche les alertes et tous les messages d'état pertinents.
7. **Jour et heure** : Affiche le jour de la semaine et l'heure.
8. **Mode Eco** : Indique si le mode Eco est activé. Lorsque le mode Eco est activé, le poêle est en mesure de s'éteindre complètement et de redémarrer en mode température, plutôt que de fluctuer entre un réglage haut et un réglage bas.
9. **Indicateur de marche/arrêt** : Indique si le poêle est en marche (ON) et en mode opérationnel ou s'il est à l'arrêt ou en cours de mise à l'arrêt (OFF).

ÉCRAN D’AFFICHAGE D’ÉTAT DES COMPOSANTS

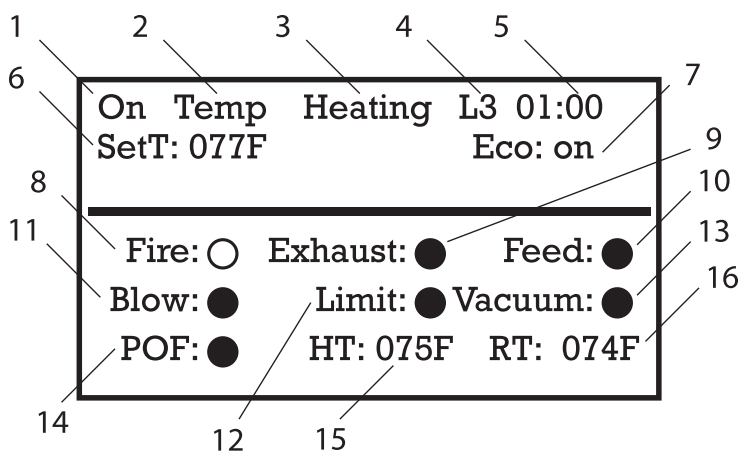


Figure 19b : Écran d'état des composants

Figure 19b : Écran d'affichage d'état des composants

1. **Indicateur d'état marche/arrêt** : Indique si le poêle est en marche (ON) et en mode opérationnel ou s'il est en cours de mise à l'arrêt (OFF).
2. **Mode principal** : Affiche le mode d'exploitation - manuel, température ou hebdomadaire.
3. **Phase de marche** : Affiche la phase de fonctionnement dans laquelle se trouve actuellement le poêle (allumage, chauffage, extinction, etc.).
4. **Niveau de puissance de chauffage** : Indique le niveau de puissance de chauffage actuel du poêle.
5. **Heure** : Affiche l'heure actuelle du module de commande.
6. **Température de consigne** : Affiche le réglage actuel de la température de consigne (température ambiante souhaitée).
7. **Indicateur de mode Eco** : Indique si le mode Eco est activé ou désactivé.
8. **Indicateur d'allumage** : Indique que l'allumeur est activé et que le poêle est en phase d'allumage.
9. **Indicateur du ventilateur d'évacuation** : Indique que le ventilateur d'évacuation est en marche pour fournir de l'air au foyer.
10. **Indicateur de vis sans fin** : Indique que la vis sans fin d'alimentation en granules est en marche.
11. **Indicateur de souffleur d'air ambiant** : Indique que le souffleur d'air ambiant est en marche et pour chauffer la pièce.
12. **Indicateur de couvercle de trémie (indicateur de limite)** : S'allume pour indiquer que le couvercle de trémie est fermé.
13. **Indicateur de dépression** : Indique qu'il y a une pression négative dans le foyer du poêle.
14. **Indicateur de détection de flamme** : Indique que le détecteur de flamme est déclenché et que le poêle détecte des températures d'évacuation indicatives d'une combustion soutenue dans le foyer.
15. **Température maximale** : Affiche la température la plus élevée mesurée durant la session de fonctionnement en cours du poêle.
16. **Température ambiante** : Affiche la température ambiante actuelle.

Remarque : Pour accéder à l'écran, appuyer sur la touche de défilement d'écran (5, Figure 7).

AVANT UTILISATION

Une fois que la poêle est correctement installé et branché sur une prise à protection contre les surtensions, il est prêt à être utilisé.

Montage de la commande

Monter la commande et le support de commande sur le dessus et l'arrière du poêle à l'aide de la visserie fournie avec la commande.

VOIR FIGURE 18.

Avant de démarrer

Mettre l'interrupteur d'alimentation principal au dos du poêle en position de marche. **VOIR FIGURE 20A.**

REMARQUE : *Si le poêle ne semble pas se mettre en marche, contrôler le fusible qui se trouve directement sous l'interrupteur d'alimentation. VOIR FIGURE 20B. Il y a un fusible de rechange dans le porte-fusible.*

S'assurer que la trémie est propre et exempte de matières étrangères, y compris de poussières et de fines de granules.

Remplir la trémie de granules de bois, en s'assurant qu'AUCUNE partie du sac ou autre objet étranger n'entre dans la trémie car cela peut endommager le système de vis sans fin. **VOIR FIGURE 21.**

S'assurer également qu'il n'y a aucune parcelle de granule sur les surfaces de contact du joint du couvercle de trémie.

Fermer le couvercle. Ce poêle comporte un contacteur de sécurité qui empêche l'alimentation en granules avec le couvercle de trémie ouvert.

Vérifier que la porte vitrée principale est fermée. Le poêle comporte un contacteur de sécurité qui empêche l'alimentation en combustible s'il n'y a pas une dépression de tirage à l'intérieur du poêle.

Avant de démarrer le poêle Castle, il convient de déterminer dans quel mode on souhaite le faire fonctionner. Le Serenity comporte trois modes d'exploitation :

1. **Manuel :** Ce mode permet de fixer et d'ajuster la phase de chauffage pour contrôler le niveau de chaleur.
2. **Température :** Ce mode permet de régler la température ambiante et le poêle fluctue automatiquement entre ses réglages d'allure de chauffe maximale et minimale de façon à maintenir la pièce à la température de consigne souhaitée. Lorsque le mode Eco est activé, le poêle se règle automatiquement pour maintenir la température de consigne souhaitée, s'éteint complètement si cette température est dépassée et redémarre lorsque la température ambiante descend suffisamment en dessous de la température de consigne. Le mode température permet de régler la température de la pièce. Le poêle se règle alors automatiquement de manière à maintenir la température ambiante souhaitée. La façon exacte dont le poêle module son réglage dépend de l'utilisation ou non du mode Eco en conjonction avec le mode température.
 - **Mode température sans mode Eco :** Le poêle fluctue entre ses réglages de chauffage haut et bas pour atteindre et maintenir automatiquement la



AVERTISSEMENT

NE JAMAIS UTILISER DE LIQUIDE INFLAMMABLE TEL QUE DE L'ESSENCE, LE COMBUSTIBLE POUR BRIQUET OU LES GELS ALLUME-BARBECUE À L'INTERIEUR OU AUTOUR DU POÊLE. GARDER DE TELS LIQUIDES BIEN À L'ÉCART DU POÊLE PENDANT QU'IL EST UTILISÉ.

NE JAMAIS OUVRIR LES PANNEAUX LATÉRAUX NI LA PORTE PRINCIPALE PENDANT QUE LE POÊLE EST EN MARCHÉ.

NE JAMAIS TOUCHER LES VEROUS DE PORTE ALORS QUE LE POÊLE EST ALLUMÉ, ILS DEVIENNENT EXTRÊMEMENT CHAUDS. NE JAMAIS OUVRIR LA PORTE VITRÉE PENDANT QUE LE POÊLE EST EN MARCHÉ OU QU'IL EST CHAUD.

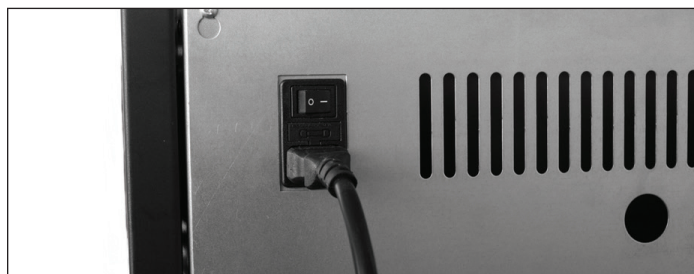


Figure 20a : Interrupteur d'alimentation principal



Figure 20b : Interrupteur d'alimentation principal



Figure 21 : Chargement des granules

température ambiante souhaitée. Le poêle ne s'éteint pas complètement si la température ambiante souhaitée est dépassée. Cela convient à la majorité des utilisateurs et présente l'avantage de préserver le cycle de vie de l'allumeur.

• **Mode température avec mode Eco :** Le poêle règle ses niveaux de chauffe de manière à maintenir la température ambiante souhaitée. Si la température ambiante dépasse la température de consigne dans une mesure suffisante, le poêle s'éteint complètement (mais les ventilateurs continuent de souffler pour évacuer les gaz de combustion et refroidir le poêle). Lorsque la température ambiante descend suffisamment en dessous de la température souhaitée, le poêle se rallume automatiquement pour chauffer la pièce. Le mode Eco est conçu spécialement pour l'utilisation du poêle dans de petits espaces ou dans des espaces très bien isolés qui peuvent avoir tendance à surchauffer même au niveau de chauffage le plus bas. On notera que l'utilisation du mode Eco réduit la durée de vie de l'allumeur car il est plus sollicité que lorsqu'il est utilisé sans le mode Eco.

3. **Hebdomadaire :** Dans ce mode, le poêle fonctionne automatiquement durant les jours et les heures choisis. Il est possible d'avoir un programme différent pour chacun des sept jours de la semaine et quatre périodes différentes durant la journée.

Le mode doit être sélectionné avant de mettre le poêle en marche. La sélection d'un mode alors que le poêle brûle peut provoquer sa mise à l'arrêt et imposer une temporisation de 30 minutes avant son redémarrage.

Il n'est pas nécessaire de démarrer le poêle pour sélectionner le mode. Pour choisir le mode, appuyer sur la touche de transfert de mode (6, Fig. 17).

FONCTIONNEMENT

Après avoir choisi le mode de fonctionnement du poêle, appuyer sur la touche de **marche/arrêt** (4, Fig. 17) pour lancer le cycle d'allumage du poêle.

Démarrage

Lorsque le poêle se met en marche, l'indicateur d'allumage et l'indicateur du ventilateur d'évacuation s'affichent à l'écran (6 et 7, Fig. 19b). Le terme « Ignite » (allumage) s'affiche également dans la zone de phase de marche (2, Fig. 19b) de l'écran. Au bout de quatre secondes environ, l'indicateur de contacteur à dépression (11, Fig. 19b) s'affiche. Noter également que l'indicateur d'ouverture du couvercle de trémie (indicateur de limite) (10, Fig. 19b) s'affiche dès lors que le couvercle de la trémie du poêle est hermétiquement fermé.

Le ventilateur d'évacuation du poêle continue de fonctionner pendant trois minutes, puis l'indicateur de vis sans fin clignote à l'écran pour indiquer que la vis sans fin alimente le poêle en granules. Au bout de cinq minutes d'alimentation en granules par la vis sans fin, un feu devrait démarrer. Une fois que le feu est allumé, la zone de phase de marche à l'écran affiche « Heating » (chauffage en cours).

Utilisation des différents modes de fonctionnement :

Mode manuel

Le mode manuel est le mode de configuration par défaut lorsqu'aucun autre mode n'a été choisi avant de mettre le poêle en marche. Le mode manuel permet de modifier le niveau de puissance de chauffage, c'est-à-dire d'augmenter ou de diminuer la quantité de chaleur produite par le poêle.

Pour modifier le niveau de puissance en mode manuel, appuyer sur la touche de défilement bas ou défilement haut (9, 10) du tableau de commande (boutons 8 et 10 à la Figure 17). Chaque pression sur l'une de ces touches augmente ou diminue la puissance de chauffage d'un niveau.

REMARQUE : Ce mode ne permet pas de régler le chauffage directement sur une température donnée. Le mode manuel permet simplement de fixer le niveau de chauffage dégagé par le poêle.

Mode température

Le mode température permet de régler la température souhaitée pour la pièce. Le poêle module automatiquement son allure de chauffe de manière à maintenir la température ambiante souhaitée. Si la température ambiante chute en dessous de la température de consigne, l'indicateur de niveau de chauffage du poêle monte automatiquement au niveau 5. Une fois que la température est atteinte, le niveau de chauffage revient à 1 et y reste jusqu'à ce que plus de chaleur soit nécessaire.

Lorsque le mode température est utilisé en conjonction avec le mode Eco, le poêle fonctionne de la même manière qu'en mode température normal, mais il s'éteint complètement si la température de la pièce dépasse la température de consigne souhaitée dans une mesure suffisante et se rallume



AVERTISSEMENT

**NE JAMAIS ÉTEINDRE LE POÊLE EN LE DÉBRANCHANT DE LA PRISE ÉLECTRIQUE.
NE JAMAIS ÉTEINDRE LE POÊLE EN METTANT L'INTERRUPTEUR D'ALIMENTATION PRINCIPAL AU DOS DU POÊLE EN POSITION D'ARRÊT.
NE JAMAIS OUVRIR LES PANNEAUX LATÉRAUX NI LA PORTE PRINCIPALE PENDANT QUE LE POÊLE EST EN MARCHÉ.
NE JAMAIS TOUCHER LES VEROUS DE LA PORTE VITRÉE ET DU CENDRIER DURANT LA MARCHÉ, ILS DEVIENNENT BRÛLANTS.**

automatiquement si la température ambiante descend suffisamment en dessous de la consigne.

Pour augmenter ou diminuer la température de consigne, utiliser la touche de DÉFILEMENT HAUT ou de DÉFILEMENT BAS (8 et 10, Fig. 17). La température ambiante actuelle s'affiche dans la zone de température (5, Fig. 19a) de l'écran, à côté de la température de consigne (3, Fig. 19a).

Mode hebdomadaire

Le mode hebdomadaire permet de contrôler et de programmer la marche du poêle Serenity à des heures et des jours définis durant la semaine. Il est possible de sélectionner quatre périodes de marche différentes pour chacun des sept jours de la semaine.

IMPORTANT : Veiller à bien définir le calendrier hebdomadaire en mode hebdomadaire avant d'allumer le feu. Si on tente de définir le calendrier et le mode hebdomadaire du poêle alors qu'il est en marche en mode manuel ou en mode température, le calendrier hebdomadaire ne se configure pas et l'écran affiche un message demandant d'attendre l'arrêt et le refroidissement du poêle avant de programmer le calendrier.

Pour configurer le calendrier hebdomadaire :

1. Tenir la touche **ENTRÉE** (11, Fig. 17) enfoncée (11, Fig. 17) jusqu'à ce que le menu « **SET DATA** » (configuration de données) s'affiche à l'écran. Utiliser la touche de **DÉFILEMENT BAS** pour sélectionner (10, Fig. 17) « **SET WEEKLY** » (réglage hebdomadaire). Appuyer sur **ENTRÉE**. L'écran de configuration du **calendrier hebdomadaire** s'affiche. **VOIR FIGURE 22.**

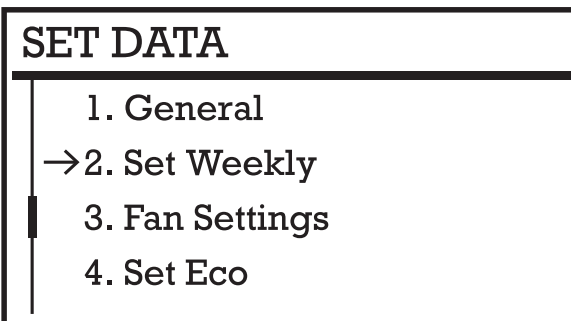


Figure 22 : Menu Set Data

Poêle à granules Serenity

2. Dans l'écran du **CALENDRIER HEBDOMADAIRE**, le cas échéant, régler les heures de marche du dimanche (« Sun. »). Appuyer sur **ENTRÉE** pour mettre les heures en surbrillance puis utiliser les touches de **DÉFILEMENT HAUT** et **DÉFILEMENT BAS** pour atteindre l'heure de démarrage souhaitée. Appuyer de nouveau sur **ENTRÉE** pour mettre les minutes en surbrillance puis utiliser les touches de **DÉFILEMENT HAUT** et **DÉFILEMENT BAS** pour régler les minutes sur la valeur de démarrage souhaitée. **VOIR FIGURE 23.**

REMARQUE : La commande Serenity utilise un affichage sur 24 heures pour la configuration du calendrier hebdomadaire.

3. Appuyer une nouvelle fois sur **ENTRÉE** pour régler l'heure d'arrêt du poêle. Suivre la même procédure que pour le réglage de l'heure de démarrage du poêle. Une fois que l'heure d'arrêt est sélectionnée, appuyer sur **ENTRÉE**.
4. La commande passe ensuite au réglage de la température souhaitée. Appuyer sur la touche de **DÉFILEMENT HAUT** ou **DÉFILEMENT BAS** jusqu'à atteindre la température souhaitée pour la période de marche sélectionnée. Appuyer sur **ENTRÉE**.
5. « Yes » est à présent en surbrillance. Si la période considérée est correctement configurée, appuyer sur **ENTRÉE**. La commande sort alors de la première période de chauffage configurée.
Pour effacer une période programmée, utiliser la touche **ENTRÉE** pour mettre « Yes » en surbrillance pour la période considérée. Sélectionner « No » à l'aide de la touche de **DÉFILEMENT HAUT** ou de **DÉFILEMENT BAS**. Lorsque « No » est en surbrillance, appuyer sur **ENTRÉE** pour effacer les données.
6. Pour configurer une autre période pour le jour considéré, appuyer sur la touche **DÉFILEMENT BAS** et répéter les étapes 2 à 5 comme il se doit.

REMARQUE : Les périodes doivent être configurées dans l'ordre chronologique. La première période programmée d'une journée doit **IMPÉRATIVEMENT** être antérieure à la deuxième période programmée sur le calendrier hebdomadaire et ainsi de suite.

7. Une fois que toutes les périodes du dimanche sont configurées, appuyer sur **DÉFILEMENT BAS** jusqu'à « Next » (suivant). Appuyer une fois sur **ENTRÉE** pour mettre « Next » en surbrillance. Appuyer de nouveau sur **ENTRÉE** pour passer au jour suivant. Poursuivre la configuration du calendrier pour le reste de la semaine conformément aux instructions précédentes.

REMARQUE : Si un calendrier particulier a été défini pour un jour donné et qu'on souhaite l'appliquer aux autres jours de la semaine, aller à « All » (tout) en haut à droite à l'aide des touches fléchées, puis appuyer sur **ENTRÉE** pour le sélectionner, puis appuyer à nouveau sur **ENTRÉE** pour l'enregistrer et l'appliquer à tous les autres jours de la semaine.

ASTUCE : Pour quitter l'écran du calendrier hebdomadaire à un moment quelconque ou une fois que sa configuration est terminée, cliquer sur la touche **SORTIE** pour revenir au menu précédent (9, Fig. 17).

8. Une fois que la configuration du calendrier est terminée, s'assurer qu'aucune option n'est en surbrillance et appuyer sur la touche **SORTIE**. Cela enregistre le calendrier.
9. Lorsqu'un calendrier est configuré, vérifier que la zone de mode de chauffage (1, Fig. 19a) de l'écran principal de la commande affiche « WEEKLY » (pour la marche en mode hebdomadaire) et que l'appareil est en marche. L'horaire ne prend effet que si l'appareil est en marche et réglé en mode hebdomadaire

Configuration des autres données sur la commande

Réglage de l'heure, du jour, de l'unité de température et de la langue

1. Tenir la touche **ENTRÉE** enfoncée. Le menu « SET DATA » (configuration de données) s'affiche à l'écran.
2. Appuyer de nouveau sur **ENTRÉE** pour accéder au menu « GENERAL ». **VOIR FIGURE 24.**
3. Pour modifier l'heure, appuyer sur **ENTRÉE**. Les chiffres des heures sont en surbrillance. Utiliser les touches de **DÉFILEMENT HAUT** et de **DÉFILEMENT BAS** pour régler l'heure correcte. Appuyer sur **ENTRÉE** pour valider les heures puis appuyer une deuxième fois sur **ENTRÉE** pour régler les minutes.
4. Poursuivre ce processus pour sélectionner et régler le jour, l'unité de température et la langue.
5. Lorsque le réglage est terminé et que rien n'est en surbrillance à l'écran, appuyer sur la touche **SORTIE**.

Weekly	→ MON	ALL
1. 08:15~12:45	70°F	YES
2. 15:00~19:30	68°F	YES
3. --:--~--:--	--°F	No
4. --:--~--:--	--°F	No

Figure 23

GENERAL
→ 1. Time: 14:45 Tuesday
2. Temp Units: °F
3. Language: ENGLISH

Figure 24

Réglage de la tension du ventilateur

La tension du ventilateur (qui contrôle le ventilateur d'air ambiant) peut être augmentée ou diminuée pour chaque niveau de puissance afin de réguler la quantité de chaleur refoulée dans une pièce durant la marche du poêle. Certains combustibles rayonnent mieux la chaleur que d'autres. Il est possible d'accélérer ou de ralentir le ventilateur d'air ambiant afin d'extraire la quantité optimale de chaleur sans souffler d'air froid.

L'augmentation de la tension du ventilateur fait tourner le moteur de chambre à plus haut régime, ce qui extrait plus de chaleur de l'appareil.

REMARQUE : En cas de problème de surchauffe du poêle à tout niveau de puissance, augmenter la tension du ventilateur.

La réduction de la tension du ventilateur permet de ralentir l'échange de chaleur au niveau du poêle afin qu'il souffle moins d'air froid.

Pour régler la tension du ventilateur :

1. Tenir la touche **ENTRÉE** enfoncée. Le menu « **SET DATA** » (configuration de données) s'affiche à l'écran.
2. À l'aide de la touche de **DÉFILEMENT BAS**, descendre jusqu'à l'option 3 : « **FAN SETTINGS** » (paramètres du ventilateur). Appuyer de nouveau sur **ENTRÉE** pour accéder au menu « **COMBUSTION** ». **VOIR FIGURE 25.**
3. Pour sélectionner le niveau de chauffage auquel on souhaite changer les tensions, appuyer sur **ENTRÉE** pour sélectionner le champ de niveau de chauffage et utiliser la touche de **DÉFILEMENT HAUT** ou de **DÉFILEMENT BAS** pour sélectionner le niveau de chauffage. Appuyer sur **ENTRÉE** pour valider la sélection du niveau de chauffage.

REMARQUE : Les niveaux de chauffage sont identifiés par H01 (niveau de chauffage 1) à H05 (niveau de chauffage 5). Les tensions de souffleur ne s'appliquent pas aux cycles d'allumage IG01 à IG03.

4. À l'aide de la touche de **DÉFILEMENT BAS**, aller jusqu'au champ « Blower Voltage » (tension de souffleur) et appuyer sur **ENTRÉE**.
5. Utiliser les touches de **DÉFILEMENT HAUT** et **BAS** pour régler le niveau de tension.

REMARQUE : Les niveaux de tension sont affectés d'une valeur numérique de 1 à 8. 1 représente la tension la plus basse (vitesse de ventilateur la plus lente) et 8 la tension la plus haute (vitesse de ventilateur la plus rapide).

6. Appuyer sur **ENTRÉE** pour valider les modifications. Répéter les étapes 3 à 5 pour les autres niveaux de puissance s'il y a lieu.
7. Lorsque le réglage est terminé et que rien n'est en surbrillance à l'écran, appuyer sur la touche **SORTIE**.

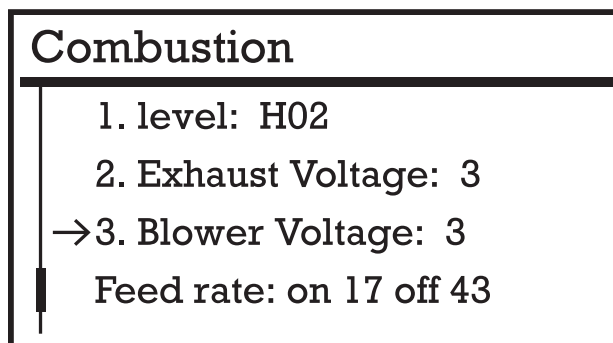


Figure 25

Poêle à granules Serenity

Réglage de la tension d'évacuation

REMARQUE IMPORTANTE :

AJUSTER LE VOLET DE DÉBIT D'AIR AVANT D'AUGMENTER LA TENSION D'ÉVACUATION. En cas de tirage d'air insuffisant, essayer D'ABORD d'ajuster le volet de débit d'air. VOIR FIGURE 26. Cela modifie également le débit d'air entrant dans le poêle. Dans la plupart des installations, la porte de l'écoulement de l'air devrait être moitié ouverte. ce est mieux vu de l'avant du poêle avec le pot au feu enlevé.

La tension d'évacuation (qui contrôle le moteur d'évacuation) permet de régler le poêle en fonction du combustible brûlé ou pour compenser une insuffisance de ventilation. Dans les situations où le tirage est moins qu'optimal, il est possible d'augmenter la vitesse d'évacuation pour accroître la circulation d'air à travers le poêle si le tirage pose problème.

REMARQUE IMPORTANTE :

La modification de la tension d'évacuation ne change PAS le taux d'alimentation. Par conséquent, aux niveaux de puissance de chauffage élevée où le taux d'alimentation est plus rapide, un bas niveau de tension ne produit pas un refoulement d'air suffisant et le poêle peut surchauffer et les granules s'accumuler dans la boîte à feu. La réduction de tension d'évacuation accroît la quantité de chaleur dégagée dans la pièce. Ne pas régler la tension d'évacuation trop bas, car cela peut provoquer l'accumulation de granules dans la boîte à feu.

L'augmentation de la tension d'évacuation, et par conséquent l'augmentation de la quantité d'air dans la boîte à feu, facilite également l'évacuation des granules de qualité inférieure pour éviter leur accumulation indésirable.

REMARQUE : Veiller à contrôler visuellement le taux d'évacuation si la tension d'évacuation est diminuée, afin de ne pas provoquer de surcharge de la boîte à feu. La tension d'évacuation doit UNIQUEMENT être ajustée pour obtenir un rendement optimal du combustible brûlé. Un réglage trop élevé de la tension du ventilateur d'évacuation (« Exhaust Voltage ») augmente la quantité de cendres volantes expulsées par le conduit d'évacuation et peut rendre l'entretien du feu plus difficile.

Pour régler la tension d'évacuation :

1. Tenir la touche **ENTRÉE** enfoncée. Le menu « **SET DATA** » (configuration de données) s'affiche à l'écran.
2. À l'aide de la touche de **DÉFILEMENT BAS**, aller à l'option 3 : « **Set Fan Settings** » (régler les paramètres de ventilateur). Appuyer de nouveau sur **ENTRÉE** pour accéder au menu « **SET COMBUSTION** » (régler la combustion). **VOIR FIGURE 27.**
3. Pour sélectionner le niveau de chauffage auquel on souhaite changer les tensions, appuyer sur **ENTRÉE** pour sélectionner le champ de niveau de chauffage et utiliser la touche de **DÉFILEMENT HAUT** ou de **DÉFILEMENT BAS** pour

sélectionner le niveau de chauffage. Appuyer sur **ENTRÉE** pour valider la sélection du niveau de chauffage.

REMARQUE : Les niveaux de chauffage sont identifiés par H01 (niveau de chauffage 1) à H05 (niveau de chauffage 5). IG01 à IG03 s'appliquent aux trois phases des cycles d'allumage. Dans la majorité des cas, il n'est PAS conseillé de les changer du niveau 8.

4. À l'aide de la touche de **DÉFILEMENT BAS**, aller jusqu'au champ « Exhaust Voltage » (tension d'évacuation) et appuyer sur **ENTRÉE**.
5. Utiliser les touches de **DÉFILEMENT HAUT** et **BAS** pour régler le niveau de tension.

REMARQUE : Les niveaux de tension sont affectés d'une valeur numérique de 1 à 8. 1 représente la tension la plus basse (vitesse de ventilateur la plus lente) et 8 la tension la plus haute (vitesse de ventilateur la plus rapide).

6. Appuyer sur **ENTRÉE** pour valider les modifications. Répéter les étapes 3 à 5 pour les autres niveaux de puissance s'il y a lieu.
7. Lorsque le réglage est terminé et que rien n'est en surbrillance à l'écran, appuyer sur la touche **SORTIE**.

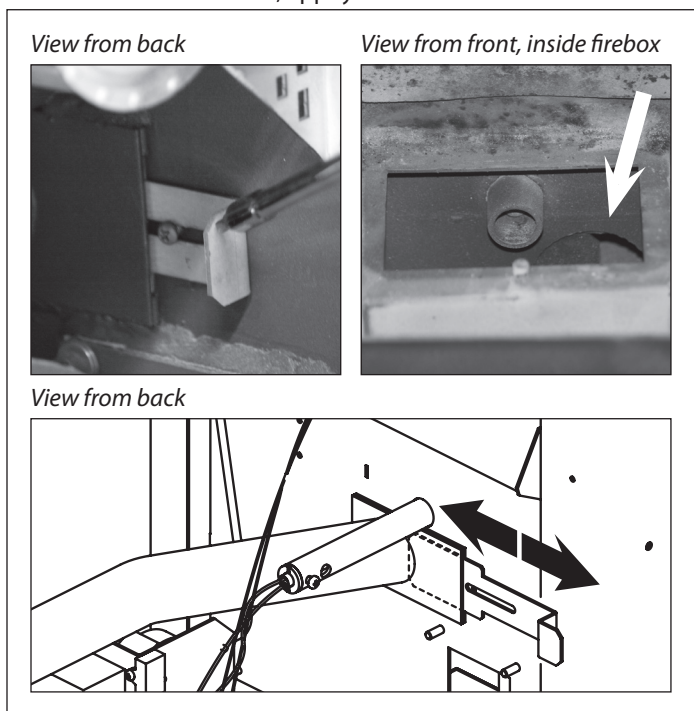


Figure 26

Combustion	
1. level:	H02
→2. Exhaust Voltage:	3
3. Blower Voltage:	3
Feed rate:	on 17 off 43

Figure 27

Réglage du mode Eco


Lorsqu'il est activé et utilisé en combinaison avec le mode température, le mode Eco permet au poêle de s'éteindre automatiquement lorsque la température de consigne dépassée dans une mesure suffisante et de se rallumer automatiquement lorsque la température ambiante descend dans une mesure suffisante en dessous de la température de consigne. Le mode Eco est conçu spécialement pour le chauffage d'espaces restreints ou très bien isolés qui peuvent surchauffer même au niveau de chauffage le plus bas.

REMARQUE : L'utilisation du mode Eco réduit la durée de vie de l'allumeur par rapport aux autres modes d'exploitation. Cela est dû au fait que l'allumeur est utilisé plus souvent.

1. Tenir la touche **ENTRÉE** enfoncée. Le menu « **Set Data** » (configuration de données) s'affiche.
2. À l'aide de la touche de **DÉFILEMENT BAS**, descendre jusqu'à l'option 4 : « **SET ECO** » (configurer Eco). Appuyer de nouveau sur **ENTRÉE** pour accéder au menu « **SET ECO** ». **VOIR FIGURE 28.**
3. Appuyer sur **ENTRÉE** pour mettre le champ Eco Mode en surbrillance et, à l'aide de la touche de **DÉFILEMENT HAUT** ou de **DÉFILEMENT BAS**, pour faire basculer le champ sur « **ON** » (activé).
4. Appuyer sur **ENTRÉE** pour valider la modification.
5. Vérifier que rien n'est en surbrillance à l'écran et appuyer sur la touche **SORTIE**.

DIAGNOSTIC

La commande du poêle Castle est équipée d'une option de diagnostic embarquée qui permet de contrôler certains éléments du poêle.



AVERTISSEMENT

NE JAMAIS FAIRE FONCTIONNER LE POÊLE EN MODE DIAGNOSTIC. LE MODE DIAGNOSTIC S'UTILISE POUR CONTRÔLER ET CONFIRMER LE FONCTIONNEMENT DES COMPOSANTS INDIVIDUELS UNIQUEMENT. L'UTILISATION DU POÊLE EN MODE DIAGNOSTIC CRÉE DES CONDITIONS DANGEREUSES ET PEUT PROVOQUER DES BLESSURES CORPORELLES ET DES DOMMAGES AU MATÉRIEL.

REMARQUE : L'écran de diagnostic est accessible uniquement lorsque le poêle est à l'arrêt.

Pour accéder à l'écran de diagnostic :

1. Tenir la touche **ENTRÉE** enfoncée. Le menu « **SET DATA** » (configuration de données) s'affiche à l'écran.
2. À l'aide de la touche de **DÉFILEMENT BAS**, aller à l'option 5 : « **DIAGNOSIS** » (diagnostic). Appuyer sur **ENTRÉE**. Le menu **DIAGNOSIS** s'affiche. **VOIR FIGURE 29.**

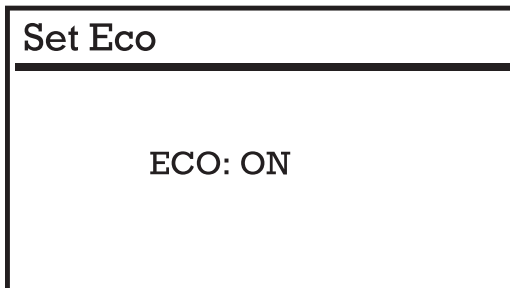


Figure 28

Le cercle de tous les éléments activés est noir.

- Level :** (niveau) Changer le niveau pour contrôler les éléments aux différents niveaux de puissance de chauffage.
- Fire :** (feu) Indique si l'allumeur est activé.
- Exhaust :** (évacuation) Indique si le moteur d'évacuation et le système d'évacuation sont activés.
- Limit :** (limite) Indique si le couvercle de la trémie est correctement fermé.
- Blow :** (souffleur) Indique si le souffleur d'air ambiant est activé.
- Feed :** (alimentation) Indique si la vis sans fin d'alimentation de granules est activée.
- Vacuum :** (dépression) Indique s'il y a une dépression et une aspiration suffisantes.
- POF :** (détection de flamme) Indique si le détecteur de flamme est activé.
- RT :** (température ambiante) Indique la température mesurée par le capteur de température de la pièce.
- HT :** (température de trémie) Indique la température mesurée au niveau de la goulotte d'alimentation de la trémie.

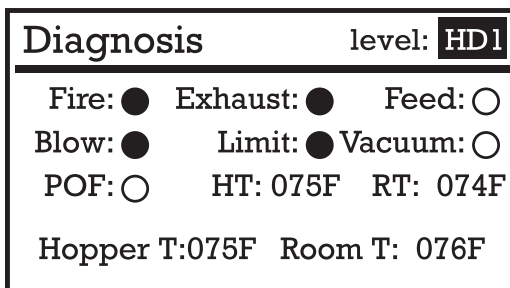



Figure 29

MISE À L'ARRÊT

Appuyer sur le bouton  du tableau de commande pour passer en mode de mise à l'arrêt. L'indicateur de Marche/Arrêt à l'écran affiche « **OFF** » (arrêt). La vis sans fin d'alimentation s'arrête mais la soufflante de distribution d'air ambiant et le ventilateur d'évacuation continuent de tourner. Une fois que le poêle a refroidi, l'éclairage de l'écran s'éteint.

La durée de mise à l'arrêt peut varier.

ENTRETIEN

Soins et entretien courants

Les intervalles de nettoyage du poêle peuvent varier en raison des différences entre combustibles. Plus le poêle est propre et plus il brûle efficacement.

Nettoyage de la boîte à feu

Sortir et nettoyer la boîte à feu chaque jour. Vérifier qu'aucun trou de la boîte à feu n'est obstrué. Nettoyer ces trous avec une petite pointe métallique ou un foret. **VOIR FIGURE 30.**

Résidus de la boîte à feu

La boîte à feu doit être vidée chaque fois que la trémie est remplie de combustible. Pour vider la boîte à feu, la soulever hors du porte-boîte et la vider directement dans le cendrier. Veiller à éliminer tout dépôt et s'assurer que les trous sont propres.

Nettoyage de la vitre

Nettoyer la vitre seulement quand le verre est froid. Essuyer fréquemment la vitre. Essuyer la vitre avec un chiffon sec ou humide. Si cela ne nettoie pas la vitre, utiliser tout produit nettoyant non abrasif. Un produit nettoyant pour cuisinière en céramique peut s'avérer utile pour nettoyer la suie de la vitre. Contrôler régulièrement les joints sur le pourtour de la vitre. Changer tout joint usé, effiloché ou écrasé. Remplacer une vitre brisée uniquement par une vitre céramique haute température, disponible auprès de Castle Pellet Stoves. **VOIR FIGURE 31.**

Émissions du poêle

Les émissions du poêle doivent être contrôlées visuellement à intervalles réguliers. Des émissions visibles sont l'indication d'une combustion inefficace. Pour minimiser l'impact sur l'environnement, les coûts d'entretien et la consommation de combustible, cet appareil de chauffage à granules devra fonctionner de façon à minimiser la visibilité des émissions.

Chambre intérieure

Nettoyer la chambre intérieure avec un aspirateur à cendres. Les aspirateurs à cendres sont conçus spécialement pour contenir la suie et ont un extérieur métallique. Effectuer cette opération chaque semaine.

AVERTISSEMENT

LES SURFACES CHAUDES PEUVENT PROVOQUER DES BRÛLURES. NE JAMAIS EFFECTUER DE NETTOYAGE OU D'ENTRETIEN SUR UN POÊLE CHAUD. LAISSER L'APPAREIL REFROIDIR PENDANT UN MINIMUM DE DEUX HEURES. NE JAMAIS EFFECTUER D'ENTRETIEN ALORS QUE L'APPAREIL EST SOUS TENSION. RISQUES DE BLESSURES CORPORELLES ET DES DÉGÂTS MATÉRIELS.

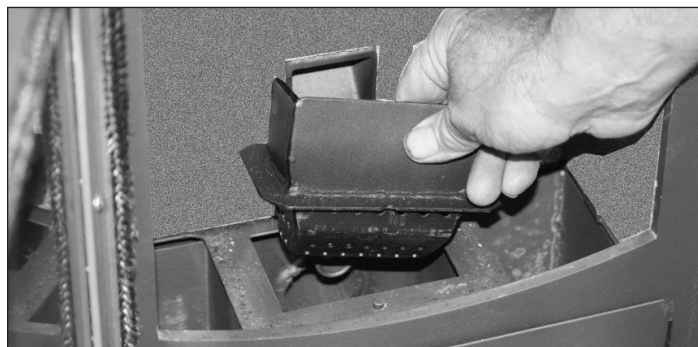


Figure 30 : Nettoyage de la boîte à feu

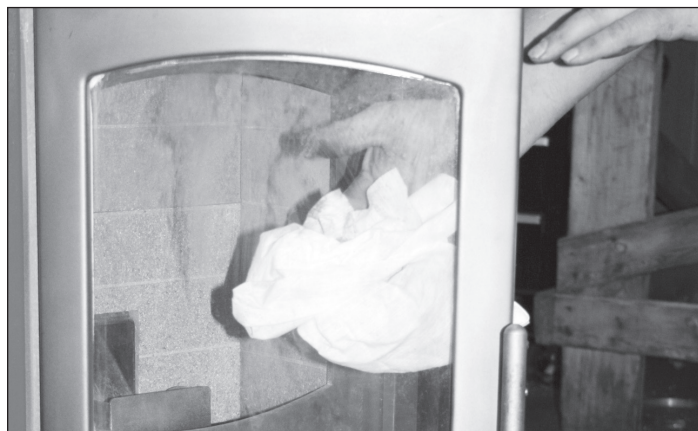


Figure 31 : Essuyer la vitre et contrôler le joint

Entretien quotidien

Les surfaces du poêle peuvent être chaudes. Toujours porter un gant protecteur, même si le poêle est froid au toucher. Veiller à éteindre le poêle et le laisser refroidir pendant une heure avant d'effectuer toute tâche d'entretien ou de réparation.

Vider les cendres de la boîte à feu. Soulever la boîte à feu hors du porte-boîte et la vider directement dans le cendrier. **VOIR FIGURE 32.**

Éliminer tous les dépôts et s'assurer que tous les trous sont propres.

Vider le cendrier dans un récipient métallique à couvercle hermétique. Le récipient à cendres fermé doit être placé sur un plancher non combustible ou sur le sol, bien à l'écart de tout matériau combustible. Le vidage des cendres dépend de la quantité de combustible brûlé. Il peut être nécessaire une à deux fois par semaine.

Entretien hebdomadaire

Dépose du cendrier

1. Éteindre le poêle et le laisser refroidir pendant une heure avant de le nettoyer.
2. Ouvrir la porte frontale. À l'aide d'une brosse de nettoyage, faire tomber tout dépôt de cendres sur le déflecteur de cendres dans le cendrier en dessous.
3. Soulever le déflecteur de cendres et l'accrocher à la broche de retenue située sur l'intérieur de la paroi arrière. Faire cela sur les côtés gauche et droit du cendrier. **VOIR FIGURE 33.** Cela permet de retirer le cendrier sans difficulté.
4. Pour sortir le cendrier, le soulever verticalement puis hors de la porte frontale. **VOIR FIGURE 34.**

Élimination des cendres

Vider régulièrement le cendrier. Les cendres doivent être contenues dans un récipient métallique à couvercle hermétique. Le récipient à cendres fermé doit être placé sur un plancher non combustible ou sur le sol, bien à l'écart de tout matériau combustible. Si les cendres sont éliminées par enfouissement ou dispersées localement, elles doivent rester dans le récipient fermé jusqu'à ce que toutes les braises aient refroidi.

Suie et cendres volantes

Les produits d'évacuation contiennent des fines particules de cendres volantes. La cendre volante s'accumule dans le système d'évacuation et restreint l'écoulement des gaz brûlés. Une combustion incomplète, notamment durant le démarrage, la mise à l'arrêt ou un mauvais fonctionnement du poêle, entraîne la formation de suie, qui s'accumule alors dans le système d'évacuation. Le système d'évacuation doit être contrôlé au moins une fois par mois pour déterminer si un nettoyage est nécessaire. Si le nettoyage est nécessaire, démonter le système d'évacuation et nettoyer les pièces individuelles. **Pour nettoyer les cendres, utiliser un aspirateur à cendres homologué. Pour plus de détails, s'adresser à un revendeur.**

Contrôler les tés de nettoyage régulièrement pour déterminer l'intervalle de nettoyage requis. Utiliser une brosse de ramonage de 3 ou 4 pouces pour nettoyer le conduit d'évacuation. Un conduit obstrué influe sur la qualité du feu. Veiller à nettoyer tous les tamis éventuels dans l'arrivée d'air. Un tamis obstrué coupe l'arrivée d'air d'évacuation et provoque une mauvaise d'évacuation ou l'extinction du feu.

⚠ AVERTISSEMENT

LES SURFACES CHAUDES PEUVENT PROVOQUER DES BRÛLURES. NE JAMAIS EFFECTUER DE NETTOYAGE OU D'ENTRETIEN SUR UN POÊLE CHAUD. LAISSER L'APPAREIL REFRROIDIR PENDANT UN MINIMUM DE DEUX HEURES. NE JAMAIS EFFECTUER D'ENTRETIEN ALORS QUE L'APPAREIL EST SOUS TENSION. CELA PRÉSENTE UN RISQUE DE BLESSURE CORPORELLE OU DE DOMMAGE MATÉRIEL.

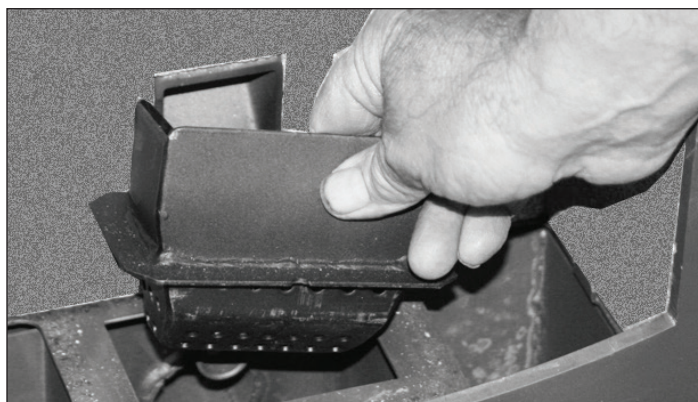


Figure 32 : Vider la boîte à feu



Figure 33 : Vidage du cendrier



Figure 34 : Vider le cendrier.

Poêle à granules Serenity

En plus des tâches d'entretien quotidien, nettoyer l'intérieur de la boîte à feu avec un aspirateur à cendres.

Sortir la boîte à feu du porte-boîte et passer l'aspirateur en dessous. Veille à bien éliminer toutes les cendres de l'entrée du tube d'allumeur. **VOIR FIGURE 35.**

Entretien mensuel

Le système d'évacuation doit être contrôlé au moins une fois par mois pour déterminer si un nettoyage est nécessaire.

Tous les ans / tous les deux ans

Démonter et nettoyer le système d'évacuation.

Déposer et nettoyer le moteur d'évacuation, son logement et le rotor. **Pour déposer le moteur d'évacuation, il est nécessaire de déposer le panneau latéral du poêle.** Pour déposer le panneau :

Retirer quatre vis, deux en haut et deux en bas du panneau. **VOIR FIGURE 36.**

Faire pivoter le panneau arrière vers l'extérieur et pousser l'avant du panneau vers l'intérieur pour le dégager et l'enlever.

Une fois que le panneau latéral est déposé, il est possible de déposer et de nettoyer le moteur d'évacuation, son logement et le rotor. **VOIR FIGURE 37.**



Figure 35 : Éliminer les cendres de tube d'allumeur (sous la boîte à feu)

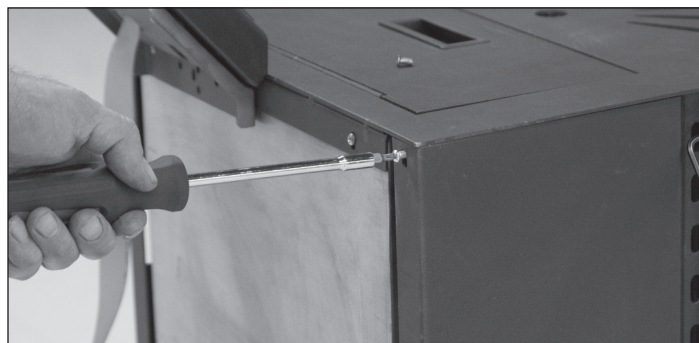


Figure 36 : Retirer les (2) vis de l'arrière du panneau latéral, en haut et en bas du panneau. Retirer les (2) vis de la face avant du panneau latéral, en haut et en bas du panneau.

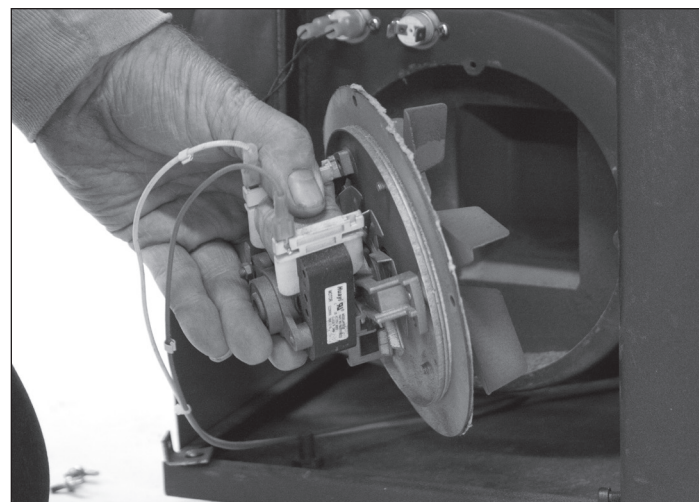


Figure 37 : Déposer le moteur d'évacuation et le nettoyer

DÉPANNAGE ET RÉPARATION

Chez Castle, nous intégrons la qualité et la durabilité dans la conception de nos produits; mais toute la conception soignée et tout l'entretien attentionné ne sauraient garantir une existence totalement exempte de réparation du poêle. La majorité des problèmes sont mineurs et aisément résolus en suivant les indications du guide de dépannage dans cette section.

Ce guide aide à diagnostiquer les causes des problèmes les plus courants et à identifier leurs solutions.

Pour les réparations plus complexes, vous voudrez peut-être compter sur votre revendeur ou Château autorisé. Un catalogue de pièces est inclus dans cette section.

Nous sommes toujours heureux de répondre à toute question ou d'aider à trouver l'assistance qui convient. Pour commander des pièces ou se renseigner au sujet de la garantie, veuillez nous contacter par téléphone ou par courriel comme indiqué ci-dessous.

COMMANDE DE PIÈCES DE RECHANGE

Les pièces peuvent s'obtenir dans le magasin où le poêle a été acheté ou directement auprès de l'usine. Pour commander des pièces auprès de l'usine, appeler ou envoyer un courriel à :

Castle Stoves
1-800-345-6007

Courriel : info@castlestoves.com

Veiller à joindre les renseignements suivants à la commande :

1. Numéro de modèle et numéro de série
2. Description des pièces
3. Quantité
4. Référence des pièces

Pour plus de renseignements sur les réclamations et les réparations sous garantie, voir la section Garantie de ce manuel.



AVERTISSEMENT

LORS DE TOUTE OPÉRATION D'ENTRETIEN INTERNE.

NE PAS UTILISER LE POÊLE AVEC DES PANNEAUX OUVERTS OU ENLEVÉS. LES PIÈCES EN MOUVEMENT À L'INTÉRIEUR PEUVENT CAUSER DES BLESSURES.

UTILISER LA PROTECTION PERSONNELLE QUI CONVIENT, LES PIÈCES SONT CHAUDES. NE PAS FAIRE FONCTIONNER L'APPAREIL AVEC UN PANNEAU OUVERT.

DÉBRANCHER L'ALIMENTATION AVANT TOUT ENTRETIEN DE L'APPAREIL. RISQUE DE CHOC ÉLECTRIQUE.

UTILISER EXCLUSIVEMENT DES PIÈCES DE RECHANGE D'ORIGINE.



ATTENTION

CECI EST UNE EXIGENCE MINIMALE POUR L'ÉLIMINATION DE LA SUIE ET DES CENDRES VOLANTES. LES CENDRES DOIVENT ÊTRE PLACÉES DANS UN RÉCIPIENT MÉTALLIQUE À COUVERCLE HERMÉTIQUE. LE RÉCIPIENT DOIT ÊTRE PLACÉ SUR UN PLANCHER NON COMBUSTIBLE, TRÈS À L'ÉCART DE MATÉRIAUX COMBUSTIBLES, EN ATTENDANT L'ÉLIMINATION FINALE. SI LES CENDRES SONT ÉLIMINÉES PAR ENFOUISSEMENT OU DISPERSÉES LOCALEMENT, ELLES DOIVENT ÊTRE CONSERVÉES DANS LE RÉCIPIENT FERMÉ JUSQU'À CE QUE TOUTES LES BRAISES AIENT BIEN REFROIDI.

NE PAS FAIRE FONCTIONNER LE POÊLE AVEC LA VITRE BRISÉE.

NE PAS CLAQUER LA PORTER EN LA FERMANT.

NE PAS HEURTER LA VITRE.

NE PAS UTILISER DE PRODUIT NETTOYANT ABRASIF.

NE PAS NETTOYER LA VITRE CHAUDE.

REMPLENER LA VITRE CÉRAMIQUE UNIQUEMENT PAR UNE PIÈCE DE RECHANGE AUTORISÉE.

LES SCORIES RESTENT CHAUDES PENDANT PLUSIEURS MINUTES APRÈS QU'ELLES SONT RETIRÉES DE LA BOÎTE À FEU.

GUIDE DE DÉPANNAGE

⚠ AVERTISSEMENT

DÉBRANCHER LE POÊLE ET LE LAISSER REFROIDIR AVANT TOUTE OPÉRATION D'ENTRETIEN. LES PIÈCES CHAUDES PEUVENT PROVOQUER DES BRÛLURES.

NE JAMAIS TESTER NI CONTRÔLER DES COMPOSANTS ÉLECTRIQUES ALORS QUE LE POÊLE EST BRANCHÉ SUR L'ALIMENTATION ÉLECTRIQUE. CELA PRÉSENTE UN RISQUE DE CHOC ÉLECTRIQUE.

⚠ AVERTISSEMENT

NE JAMAIS TOUCHER NI EFFECTUER L'ENTRETIEN DE LA VIS SANS FIN ALORS QUE LE POÊLE EST BRANCHÉ.

L'EXISTENCE D'UNE DÉPRESSION DANS LA MAISON EST UNE QUESTION IMPORTANTE. SI CELA POSE UN PROBLÈME, LE POÊLE DOIT ÊTRE INSTALLÉ AVEC UN NÉCESSAIRE AIR FRAIS (NON FOURNI).

PROBLÈME	CAUSE	SOLUTION
Le voyant de panne s'allume	Le feu s'éteint	La commande indique un épuisement de combustible, contrôler la boîte à feu. Ajouter du combustible dans la trémie. Si la trémie est pleine, rallumer l'appareil. Si ce signal persiste, accéder au mode de diagnostic de la commande. Le cercle de « POF » doit être noirci. S'il ne l'est pas, changer le détecteur de flamme 52C (basculer sur le détecteur de secours déjà installé sur le poêle). Vérifier les fils queue de cochon, changer les cosses le cas échéant.
PROBLÈME	CAUSE	SOLUTION
Le voyant de panne est allumé	Surchauffe	Utiliser le mode de diagnostic pour vérifier le fonctionnement du souffleur en sélectionnant le cercle « Blow » (souffleur). Laisser le poêle refroidir puis le redémarrer. Vérifier que conduit d'évacuation n'est pas obstrué. Augmenter la tension du souffleur à partir du tableau de commande pour chaque niveau de chauffage.
PROBLÈME	CAUSE	SOLUTION
Pas d'alimentation en combustible, aucun signal de dépression sur la commande	Porte principale ou cendrier pas fermé hermétiquement Pas de dépression dans la chambre d'évacuation Les tuyaux ou le poêle sont bouchés par les cendres Défaillance du moteur d'évacuation	Le capteur de pression coupe la vis sans fin en l'absence de dépression dans la chambre d'évacuation. Contrôler les joints de la porte. Contrôler les joints de la vitre. Nettoyer l'évacuation et le poêle. Vérifier que le moteur d'évacuation fonctionne. Accéder au mode de diagnostic de la commande et noircir le cercle à côté de « Feeding »; cela devrait activer la vis sans fin et l'alimentation en granules. Noircir ensuite le cercle d'« Exhaust ». Le moteur d'évacuation doit se mettre en marche et, dans les 20 secondes, le signal de dépression (Vacuum) doit aussi s'afficher en noirci.

PROBLÈME	CAUSE	SOLUTION
Pas l'alimentation en combustible, présence de signal de dépression et de couvercle sur la commande.	<p>La vis sans fin est obstruée</p> <p>La vis sans fin ne fonctionne pas</p> <p>Le thermorupteur mécanique est défectueux ou doit être réarmé.</p>	<p>Sortir la vis sans fin de son logement et nettoyer d'abord l'obstruction.</p> <p>Accéder au mode de diagnostic de la commande et activer (noircir) le cercle de « Feeding ». Cela devrait activer la vis sans fin et l'alimentation en granules. S'il n'y a pas d'alimentation en granules en mode de diagnostic, déposer le panneau latéral droit et vérifier le thermorupteur mécanique placé sur la goulotte d'alimentation de granules. Appuyer fermement sur le bouton au centre du thermorupteur pour le réarmer. Essayer d'activer l'alimentation en granules en mode de diagnostic pour vérifier que le problème est résolu.</p>
Pas l'alimentation en combustible, pas de signal de couvercle sur la commande.	<p>Le couvercle de trémie est ouvert</p> <p>Le contacteur de couvercle de trémie ne fonctionne pas correctement</p>	<p>Fermer le couvercle de trémie. Accéder au mode de diagnostic de la commande; le cercle de « Limit » doit être noirci lorsque la trémie est fermée. Le cercle est en blanc si le couvercle de la trémie est ouvert.</p> <p>Contrôler le joint du couvercle de trémie.</p> <p>Changer le contacteur de sécurité de la trémie s'il ne fonctionne pas correctement.</p>
PROBLÈME	CAUSE	SOLUTION
Combustion lente et enfumée	<p>Le poêle est sale</p> <p>Combustible de mauvaise qualité</p> <p>Obstruction de l'admission d'air</p> <p>Apport d'air insuffisant</p>	<p>Nettoyer la boîte à feu.</p> <p>Nettoyer le cendrier.</p> <p>Nettoyer le système d'évacuation des gaz de combustion et vérifier qu'il n'est pas obstrué.</p> <p>Vérifier que l'admission d'air n'est pas obstruée.</p> <p>Augmenter la tension du moteur d'évacuation.</p>
PROBLÈME	CAUSE	SOLUTION
Alimenté en combustible, mais ne s'allume pas; les indicateurs de la commande sont activés	<p>Tube d'allumeur ou boîte à feu obstrués par des cendres</p> <p>Allumeur défectueux</p>	<p>Nettoyer la boîte à feu et le tube d'allumeur. Accéder au mode de diagnostic de la commande et tester l'allumeur en activant l'option « Fire ». De la chaleur doit se dégager du porte-allumeur dans les deux minutes.</p> <p>Changer l'allumeur le cas échéant.</p>

ILLUSTRATION DES PIÈCES DÉTACHÉES

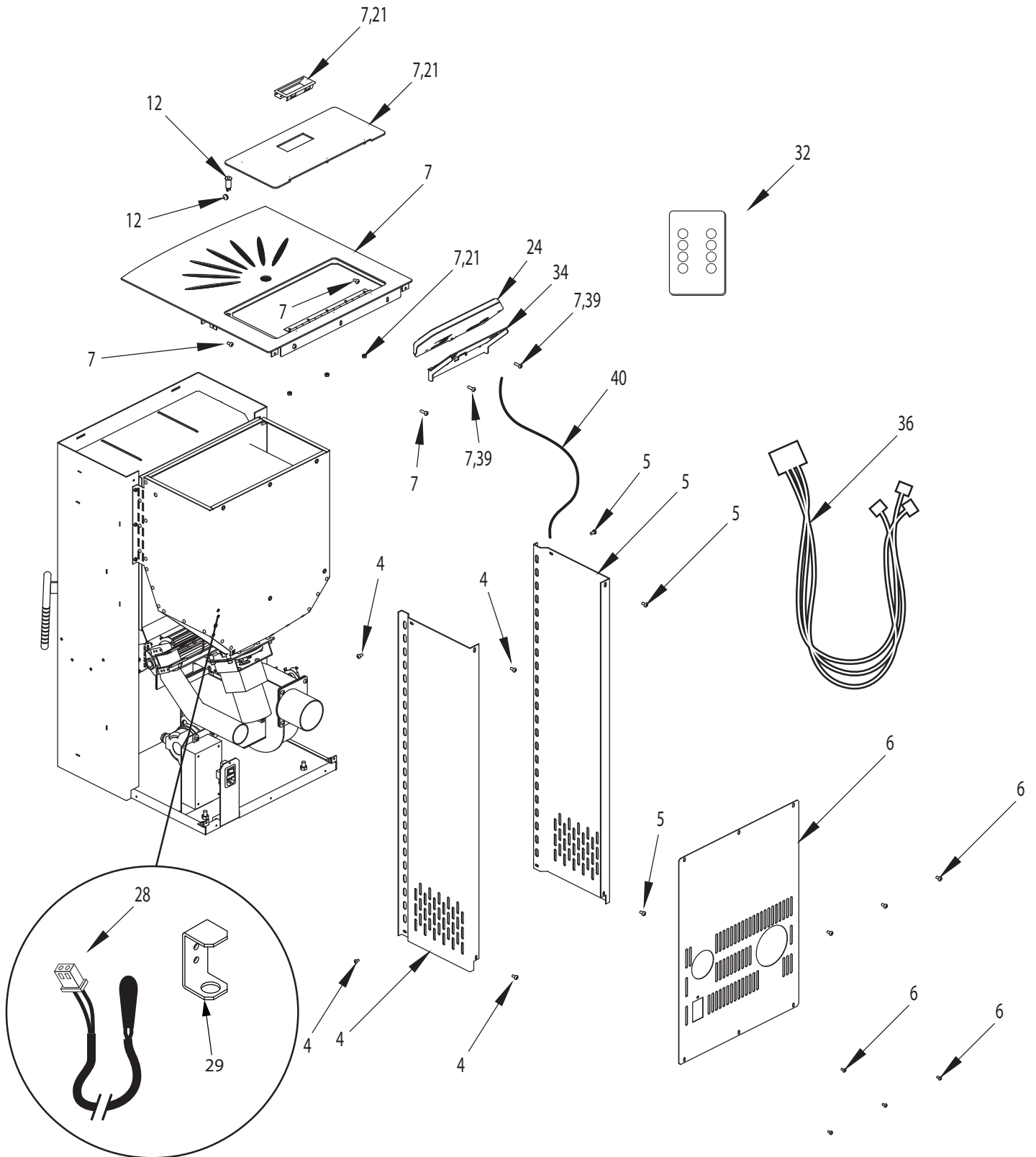


ILLUSTRATION DES PIÈCES DÉTACHÉES

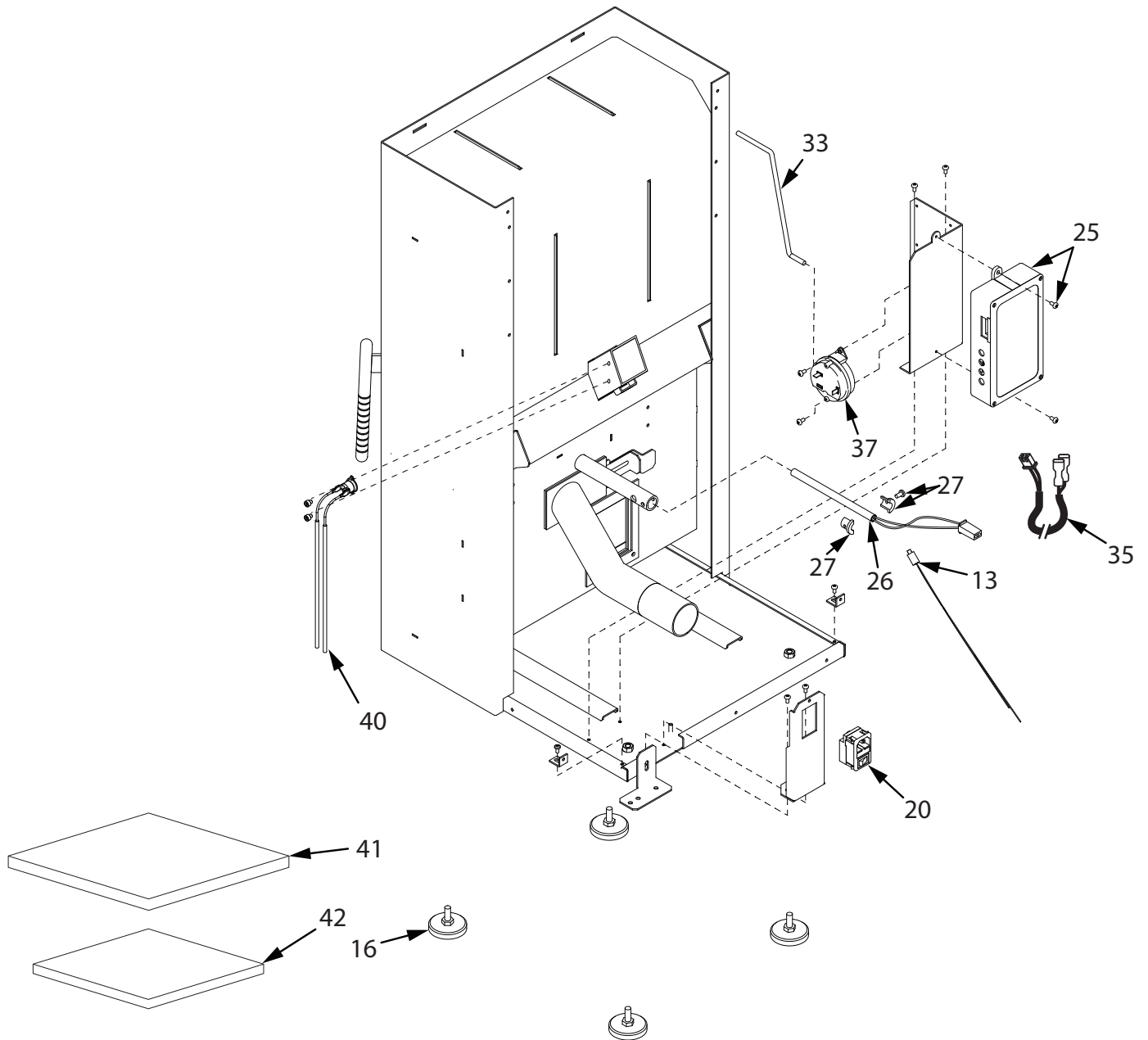


ILLUSTRATION DES PIÈCES DÉTACHÉES

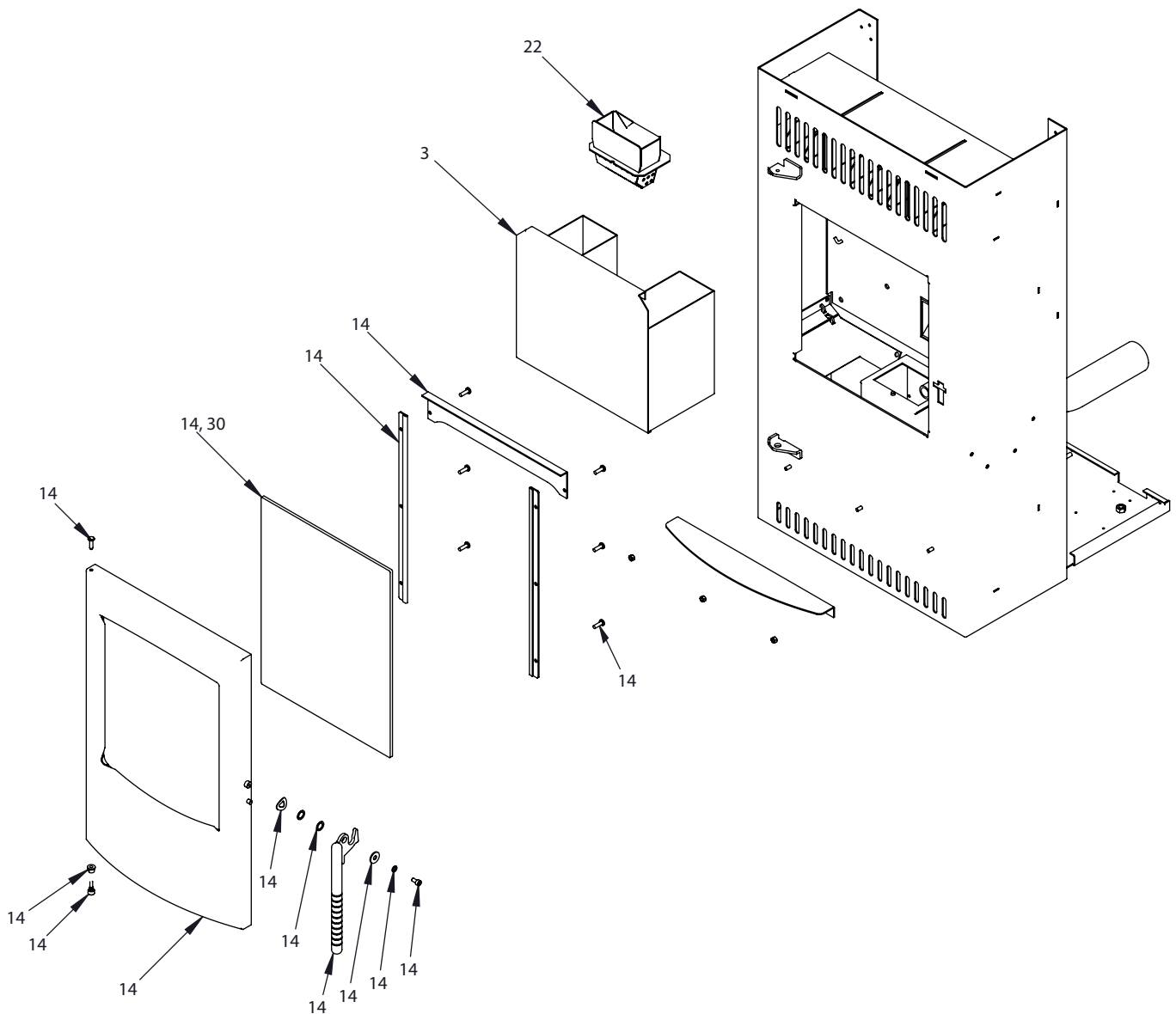
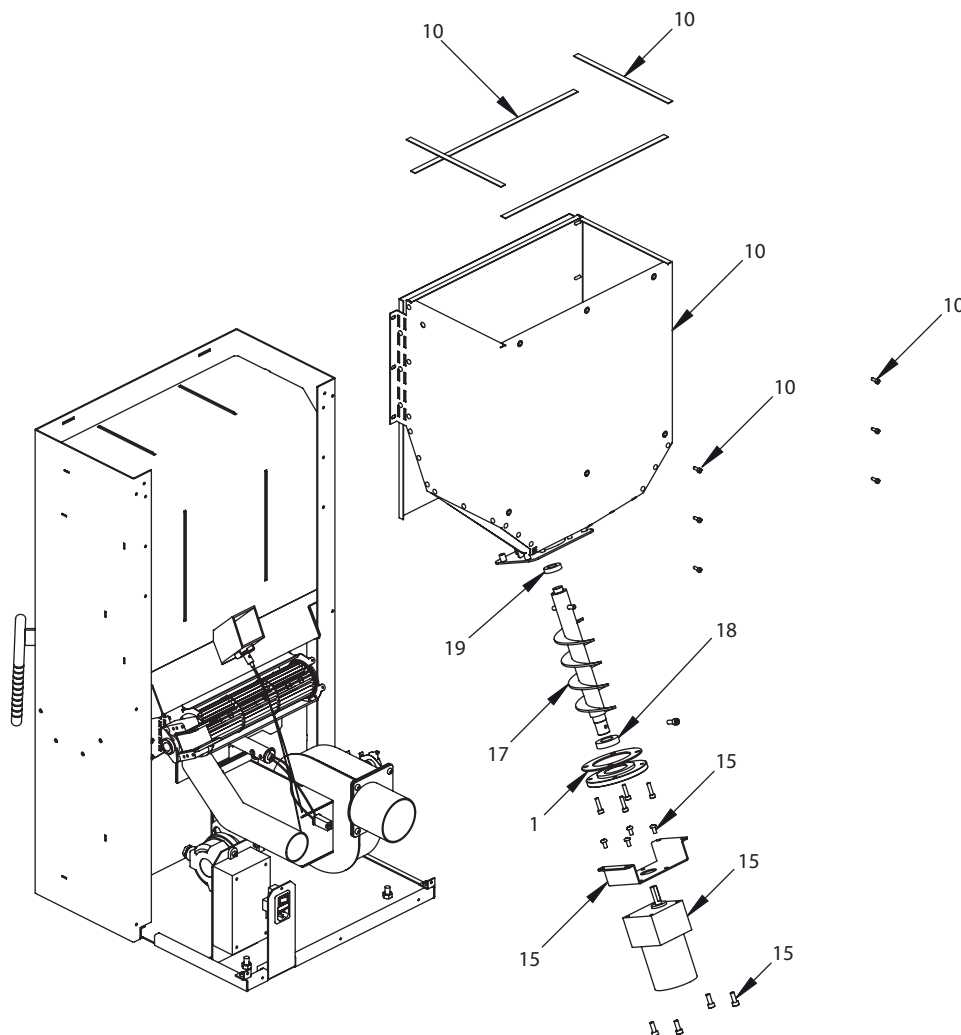


ILLUSTRATION DES PIÈCES DÉTACHÉES



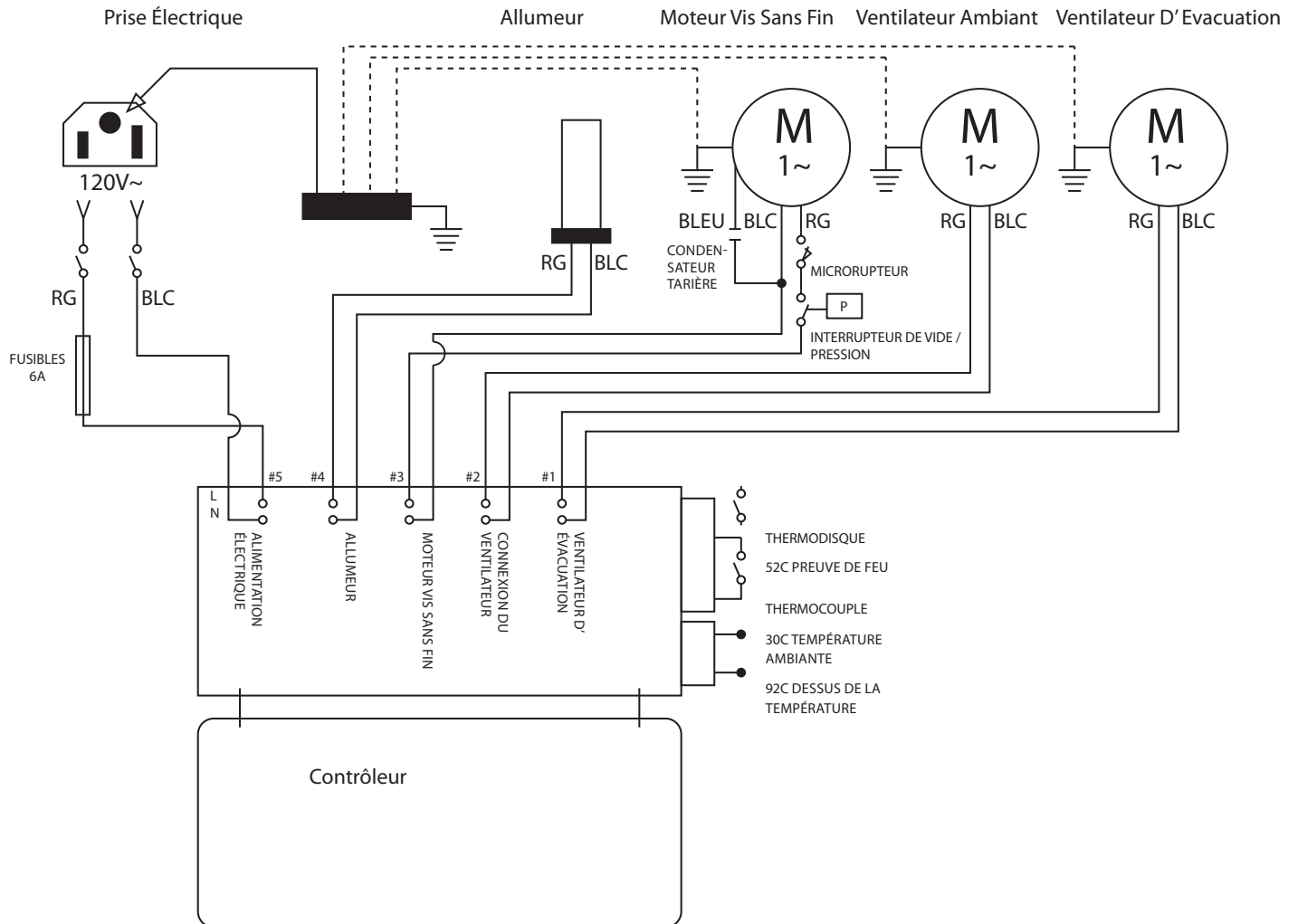
FRANÇAIS

REPÈRE	RÉF.	DESCRIPTION	QTÉ
1	12225	JOINT DE LOGEMENT DE VIS SANS FIN SYSTÈME ALIM HPS	1
2	720110	VENTILATEUR DE D'ÉVACUATION	1
3	16135	CENDRIER	1
4	16278	KIT PANNEAU DROIT DE RECHANGE	1
5	16279	KIT PANNEAU GAUCHE DE RECHANGE	1
6	16280	KIT PANNEAU ARRIÈRE DE RECHANGE	1
7	16281	KIT CAPOT SUPÉRIEUR ET COUVERCLE DE TRÉMIE DE RECHANGE	1
8	720238	CONTACTEUR À DÉPRESSION	1
9	720103	CAPTEUR 52C DE RECHANGE	1

ILLUSTRATION DES PIÈCES DÉTACHÉES

10	16284	KIT TRÉMIE DE RECHANGE	1
11	21565	KIT VENTILATEUR DE CONVECTION DE RECHANGE	1
12	720055	CONTACTEUR DE COUVERCLE DE TRÉMIE	1
13	720106	SONDE DE TEMPÉRATURE 92 °C	1
14	720204	KIT PANNEAU DE PORTE DE RECHANGE	1
15	720107	MOTEUR DE VIS SANS FIN HPS & SERENITY	1
16	720216	PIED RÉGLABLE	4
17	720219	VIS SANS FIN SYSTÈME D'ALIMENTATION	1
18	720220	PALIER INFÉRIEUR VIS SANS FIN	1
19	720221	PALIER SUPÉRIEUR VIS SANS FIN	1
20	720227	KIT INTERRUPTEUR D'ALIMENTATION DE RECHANGE	1
21	720229	POIGNÉE DE TRÉMIE DE RECHANGE	1
22	720235	BOÎTE À FEU	1
23	18522	KIT JOINT DE MOTEUR D'ÉVACUATION	1
24	43536	KIT TÊTE DE COMMANDE DE RECHANGE	1
25	43538	COMMANDE	1
26	720307	MODULE D'INTERFACE DE LA COMMANDE	1
27	720308	KIT COLLIER PORTE-ALLUMEUR DE RECHANGE	1
28	13512	FIL QUEUE DE COCHON LEAD, 30C	1
29	28663	SUPPORT, CAPTEUR DE CHAMBRE DE MONTAGE 30C	1
30	720242	GLASS HPS10 & SERENITY	1
31	11090	PIGTAIL LEAD 52 FOR 10IC SERENITY	1
32	11721	REMOTE CONTROL	1
33	12283	TUBE VACUUM SWITCH PORT	1
34	12429	BRACKET CONTROLLER	1
35	11392	PIGTAIL LEAD VACUUM SWITCH	1
36	23063	FAISCEAU DE CÂBLAGE SERENITY COMPLET	1
37	28662	CONTACTEUR À DÉPRESSION 0.05 WC	1
38	12419	VIS M4 X 8 MM PPHMS	2
39	34285	VIS M5 X 25 MM SHCS	2
40	43535	CÂBLE SÉRIE 4 FILS	1
41	34004	THERMORUPTEUR ET FAISCEAU	1
42	41700	SACHET DU MANUEL	1
43	33994	SACHET DE PIÈCES	1

SCHÉMA DE CÂBLAGE



FRANÇAIS

Rendement

Le rendement est la mesure de l'efficacité d'un appareil à transformer une entrée d'énergie fournie sous forme de carburant en une sortie d'énergie sous forme de chaleur. Les incohérences concernant le rendement de chauffage ne sont pas rares sur le marché. Lors de la détermination des valeurs de rendement pour les appareils de chauffage au bois, le pouvoir calorifique supérieur (PCS) est préférable au pouvoir calorifique inférieur (PCI), qui ignore la chaleur latente de vaporisation de la vapeur d'eau, qui est inhérente à la combustion du bois de chauffage.

Le rendement de l'appareil de chauffage à granules Serenity™ dépend de facteurs tels que l'emplacement d'installation, les combustibles utilisés ou la façon dont il est utilisé. Pour obtenir un rendement maximal de l'appareil de chauffage à granules Serenity™, veiller à respecter les recommandations suivantes :

- Choisir des combustibles à faible teneur en humidité. L'utilisation de combustibles à forte teneur en humidité absorbe de la chaleur du combustible et tend à refroidir l'appareil, privant la maison d'une partie de la chaleur. Il est conseillé d'utiliser des granules conformes ou supérieurs aux normes PFI Premium Grade (qualité

supérieure), notamment parce qu'ils ont une faible teneur en humidité.

- La combustion efficace de toute source de combustible suppose des proportions correctes de combustible et d'oxygène. Ce principe s'applique aussi à l'appareil de chauffage au bois Serenity™ et aux granules de bois qui y sont brûlés. La combustion à un réglage bas consiste à limiter l'arrivée d'oxygène. L'utilisation constante à son réglage le plus bas se traduit par un rendement moindre que si le poêle est utilisé à des taux de combustion moyens à élevés.
- L'appareil de chauffage au bois offre un rendement optimal s'il est installé dans un espace à vivre principal. Une installation en sous-sol entraînerait une certaine déperdition de chaleur vers la terre environnante à travers les murs de fondation. Les installations à l'extérieur ou dans un local non fermé qui facilite la dissipation de la chaleur dans l'environnement sont fortement déconseillées.

Émissions certifiées EPA :	1,00 g/h
*Rendement PCS testé :	78,2 %
**Plage de puissance de sortie :	3,8 à 7,8 kW (12 808 à 26 493 BTU/h)
***Puissance consommée :	10,5 kW (36 660 BTU/h)
Combustible :	Granules de bois (PFI Premium ou mieux)
* Moyenne pondérée de valeurs de rendement PCS mesurées lors d'essais d'émissions de l'EPA.	
** Intervalle de puissance de sortie obtenu à partir de taux de rendement et de combustion mesurés lors d'essais de l'EPA à des taux de combustion bas et élevés utilisant la PCS.	
*** Calculée à partir du débit d'alimentation au réglage élevé multiplié par la teneur testée de 2,5 kW (8 528 BTU/h) des granules utilisés pour les essais d'émissions.	

Sécurité incendie

Le monoxyde de carbone (CO) est un gaz potentiellement mortel qui résulte d'une combustion imparfaite. Le CO se produit lorsque les combustibles ne disposent pas de suffisamment d'air pour brûler complètement. Pour minimiser la production de CO, vérifier que l'appareil de chauffage au bois Serenity™ est nettoyé et entretenu comme il se doit, que le registre d'admission d'air est correctement réglé (pas trop large ou trop ouvert) et que la prise d'air est toujours bien dégagée.

Vérifier que la maison est équipée de détecteurs de fumée et de CO en bon état de marche. Ces détecteurs devront être installés et entretenus conformément aux conseils du fabricant. En outre, il est conseillé de prévoir des détecteurs de CO dans les endroits susceptibles de produire du CO. Il s'agit notamment des zones de chargement de combustible, des zones de stockage des granules en vrac, des abris contenant des appareils de chauffage hydronique et les pièces où les appareils de chauffage sont installés.

Taux de combustion (kg/h) (sec)	Émissions de CO (g/h)	Rendement de chauffage (% PCS)	Puissance thermique (kW [BTU/h])
Haut - 1,98	0,0	74,4	7,8 (26 493)
Moyen - 1,43	0,0	79,4	6,0 (20 415)
Bas - 0,92	0,0	77,2	3,8 (12 808)
Global - 1,29	0,0	78,2	5,2 (17 828)



GARANTIE PRODUIT SERENITY™ DE CASTLE™ : GARANTIE LIMITÉE UN AN

Ardisam Inc., une entreprise de fabrication, garantit que ce poêle à granules Castle est exempt de vices de matériaux et de fabrication pendant une durée d'un an. Pendant cette durée d'un an, Ardisam Inc., à son entière discrétion, fournira les pièces nécessaires pour corriger toute défaillance résultant de vices de matériaux ou de fabrication. Pour les autres réparations sous garantie, veuillez lire la garantie un an décrite ci-dessous.

Tous les composants électriques, notamment les soufflantes, câblages, contacteurs à dépression, commandes de vitesse, boîtes de commande, interrupteurs, veilleuses, thermostats et allumeurs sont couverts par la présente garantie un an. Tout remplacement de pièce sous garantie relève de la responsabilité du propriétaire.

Le fabricant n'offre aucune garantie écrite ou implicite de performances, n'exerçant aucun contrôle sur le type de combustible, l'installation, l'utilisation au quotidien ou l'entretien. En particulier, aucune garantie n'est offerte sur la peinture, le vitrage, la boîte à feu, les briques réfractaires ou les joints d'étanchéité.

Tous les coûts de dépose et de transport à destination et en provenance du concessionnaire ou du fabricant, toute perte durant le transport et le remontage et toute autre perte liée à l'enlèvement du poêle seront à la charge du propriétaire.

LA PRÉSENTE GARANTIE EST LIMITÉE AUX PIÈCES DÉFECTUEUSES ET NE COUVRE PAS LES DOMMAGES CAUSÉS PAR UNE INSTALLATION INCORRECTE, UN ENTRETIEN INCORRECT OU INSUFFISANT, UNE UTILISATION INCORRECTE OU UN EMBALLEMENT DE LA COMBUSTION. LA RÉPARATION ET/OU LE REMPLACEMENT DE PIÈCES SONT LAISSÉS À LA DISCRÉTION D'ARDISAM INC. ET EXCLUENT TOUS LES DOMMAGES ACCESSOIRES ET INDIRECTS ASSOCIÉS.

La présente garantie n'est pas cessible et remplace toute les autres garanties expresses ou implicites et toutes les autres obligations ou responsabilités de notre part. Ardisam Inc. n'assume aucune responsabilité, et n'autorise personne à assumer en son nom une quelconque responsabilité, en rapport avec la vente de ses produits. La garantie s'applique uniquement à des produits n'ayant pas subi de négligence, d'emploi abusif, de modification ni d'accident. Cette garantie est annulée si la carte de garantie dûment remplie n'est pas renvoyée à Ardisam Inc. à Cumberland (WI) dans les 30 jours après l'achat. Pour recourir aux services de réparation ou de remplacement sous garantie, s'adresser au service après-vente au 800-345-6007, du lundi au vendredi de 08h00 à 17h00 ou visitez www.castlepelletstoves.com. Avant d'envoyer le produit à Ardisam™ pour une réparation sous garantie, l'accord préalable d'Ardisam™ doit être obtenu en appelant notre service après-vente pour recevoir un numéro d'autorisation de renvoi de matériel (RMA#). Sous ces circonstances, tous les articles doivent être envoyés en port payé. Ardisam™, à son entière discrétion, réparera ou remplacera sans frais toute pièce défectueuse qui remplit les conditions énoncées ci-dessus. Ardisam™ se réserve le droit de modifier les modèles, les spécifications et les prix sans préavis. Ardisam n'est sous aucune obligation d'expédier un produit réparé ou échangé à une quelconque adresse en dehors des États-Unis d'Amérique et du Canada. Certains pays et provinces n'autorisent pas la limitation de la durée d'une garantie implicite, ni l'exclusion ou la limitation des dommages indirects ou accessoires, par conséquent les limites ci-dessus peuvent ne pas s'appliquer à vous. La présente garantie vous accorde des droits juridiques particuliers et vous pouvez jouir d'autres droits susceptibles de varier d'une province ou d'un pays à l'autre.



Castle Stoves™, Division of Ardisam, Inc.
1730 Industrial Avenue, PO Box 666
Cumberland, WI 54829
800-345-6007 | Télécopie 715-822-2223
Courriel : info@castlestoves.com