



# **3pt Furrower with 2 Shovels**

## **OWNER'S MANUAL**



### **WARNING:**

Read carefully and understand all **ASSEMBLY AND OPERATION INSTRUCTIONS** before operating. Failure to follow the safety rules and other basic safety precautions may result in serious personal injury.

**Model # FTF-21F3PT**

Thank you very much for choosing this product! For future reference, please complete the owner's record below:

Model: \_\_\_\_\_ Purchase Date: \_\_\_\_\_

Save the receipt, warranty and these instructions. It is important that you read the entire manual to become familiar with this product before you begin using it.

This product is designed for certain applications only. The manufacturer cannot be responsible for issues arising from modification. We strongly recommend this product not be modified and/or used for any application other than that for which it was designed. If you have any questions relative to a particular application, DO NOT use the product until you have first contacted us to determine if it can or should be performed on the product.

For technical questions please call **1-218-943-6296**.

## INTENDED USE

3pt Furrower can be used to plant gardens, dig trenches, pull up potatoes, and more.

## TECHNICAL SPECIFICATIONS

Item	Description
Material:	Steel
Hitch Type:	Category 1
Working Depth:	6-8 inches

## GENERAL SAFETY RULES



**WARNING:** Read and understand all instructions. Failure to follow all instructions listed below may result in serious injury.



**CAUTION:** Do not allow persons to operate or assemble this 3pt furrower with 2 shovels until they have read this manual and have developed a thorough understanding of how the 3pt furrower with 2 shovels works.



**WARNING:** The warnings, cautions, and instructions discussed in this instruction manual cannot cover all possible conditions or situations that could occur. It must be understood by the operator that common sense and caution are factors which cannot be built into this product, but must be supplied by the operator.

## SAVE THESE INSTRUCTIONS

## WORK AREA

- **Keep work area clean**, free of clutter and well lit. Cluttered and dark work areas can cause accidents.
- **Keep children and bystanders** away while operating a 3pt furrower with 2 shovels. Distractions can cause you to lose control, so visitors should remain at a safe distance from the work area.
- **Be alert of your surroundings.** Using a 3pt furrower with 2 shovels in confined work areas may put you dangerously close to cutting tools and rotating parts.

## PERSONAL SAFETY

- **Stay alert**, watch what you are doing and use common sense when using a 3pt furrower with 2 shovels. Do not use a 3pt furrower with 2 shovels while you are tired or under the influence of drugs, alcohol or medication. A moment of inattention while operating a 3pt furrower with 2 shovels may result in serious personal injury.
- **Dress properly.** Do not wear loose clothing, dangling objects, or jewelry. Keep your hair, clothing and gloves away from moving parts. Loose clothes, jewelry or long hair can be caught in moving parts.
- **Use safety apparel and equipment.** Use safety goggles or safety glasses with side shields which comply with current national standards, or when needed, a face shield. Use a dust mask if working in dusty work conditions. This applies to all persons in the work area. Also use non-skid safety shoes, hardhat, heavy-duty work gloves, dust collection systems, and hearing protection when appropriate.
- Make sure tractor is properly weighted in front end to avoid tractor tipping back. Tractor must be equipped with a roll-over protection system (ROPS).

## 3pt Furrower with 2 shovels USE AND CARE

- **Do not modify the 3pt furrower with 2 shovels in any way.** Unauthorized modification may impair the function and/or safety and could affect the life of the equipment. There are specific applications for which the 3pt furrower with 2 shovels was designed.
- **Always check for damaged or worn out parts before using the 3pt furrower with 2 shovels.** Broken parts will affect the 3pt furrower with 2 shovels operation. Replace or repair damaged or worn parts immediately.
- **Do not exceed the 3pt furrower with 2 shovels load capacity.**
- **Distribute the load evenly.** Uneven loads may cause the 3pt furrower with 2 shovels to tip, resulting in personal injury to the operator or others.
- **Use the 3pt furrower with 2 shovels on flat and level surfaces** capable of supporting the 3pt furrower with 2 shovels and its maximum load. Pulling or pushing a load on a slanted or uneven surface can result in loss of control.
- **Store idle** 3pt furrower with 2 shovels. When 3pt furrower with 2 shovels is not in use, store it in a secure place out of the reach of children. Inspect it for good working condition prior to storage and before re-use.
- Make sure tractor is properly weighted in front end to avoid tractor tipping back. Tractor must be equipped with a roll-over protection system (ROPS).

## ASSEMBLY

1. Connect Horizontal Bracket (#2) to the Middle Post (#1) with Bolt and Nut (#9), (#10).
2. Attach Linkage Plate (#3) to Horizontal Bracket (#2) with Joint Pin with thread end (#6) and Bolt and Nut (#8).
3. Connect Plough (#4) or Middle Buster Plough (#5) to Middle Post (#1) with Bolt and Nut (#11).
4. Finally insert Clevis Pin (#7) into Linkage Plate (#3).

## OPERATION



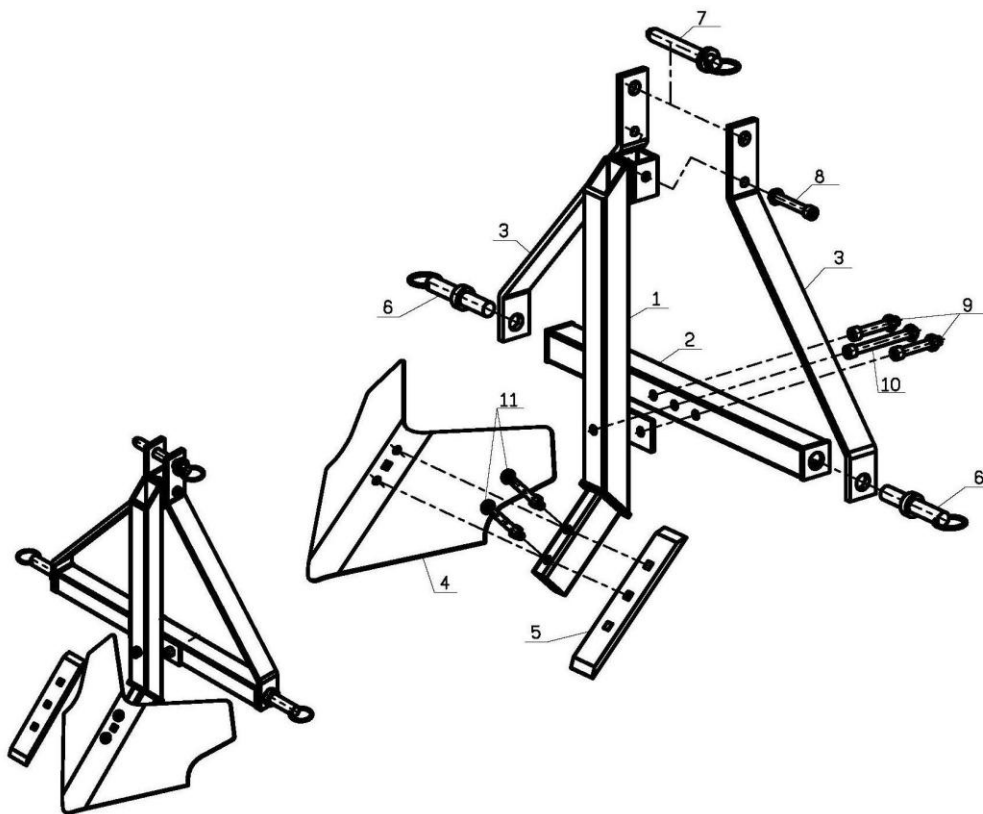
**WARNING:** Please include safety language here, if applicable.

- **DO NOT** mount to tractor unless it is equipped with a ROPS, roll-over protection system.
- **DO NOT stand between tractor and implement.** Bystanders should be at least 50 ft away.
- **DO NOT** operate on an incline.
- **Operate** at 5 mph or less
- Use on level ground.
- Operate from tractor seat only.

## MAINTENANCE

- **Maintain your 3pt furrower with 2 shovels.** It is recommended that the general condition of any 3pt furrower with 2 shovels be examined before it is used. Keep your 3pt furrower with 2 shovels in good repair by adopting a program of conscientious repair and maintenance. If any abnormal vibrations or noise occurs, have the problem corrected before further use. Have necessary repairs made by qualified service personnel.
- Clean after each use.
- Check for wear points.

# DIAGRAM & PARTS LIST



Part#	Description	Qty.	Part#	Description	Qty.
1	Middle Post	1	7	Clevis Pin 19	1
2	Horizontal Bracket	1	8	Bolt M12x85 with Nut	1
3	Linkage Plate	2	9	Bolt M12x75 with Nut	2
4	Plough	1	10	Bolt M12x120 with Nut	1
5	Middle Buster Plough	1	11	Bolt M10x90 with Nut	2
6	Joint Pin with thread end (M22)	2			

For replacement parts and technical questions, please call **1-218-943-6296**.

## WARRANTY

**12 months limited parts warranty.**



PO BOX 203  
Miltona, MN 56354  
MADE IN CHINA