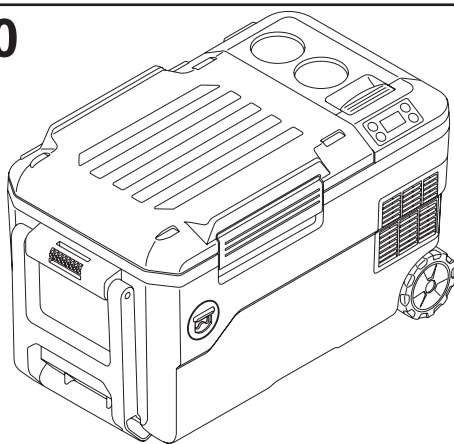


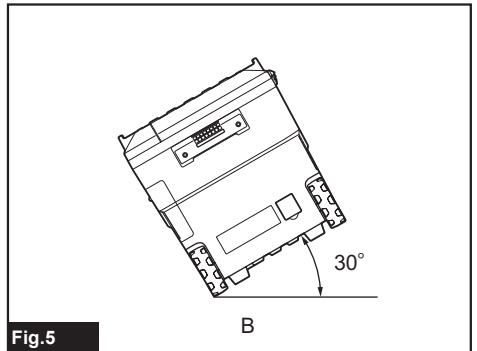
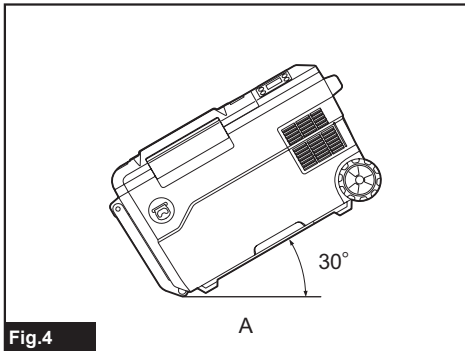
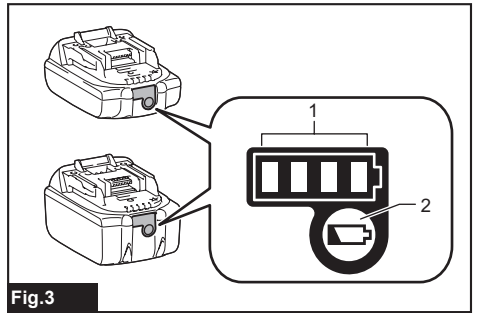
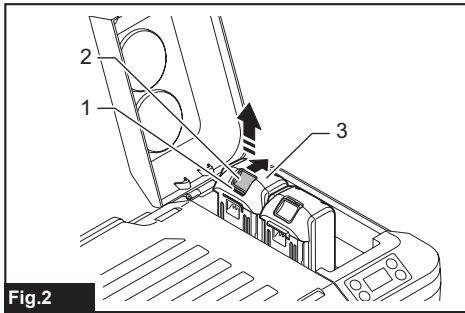
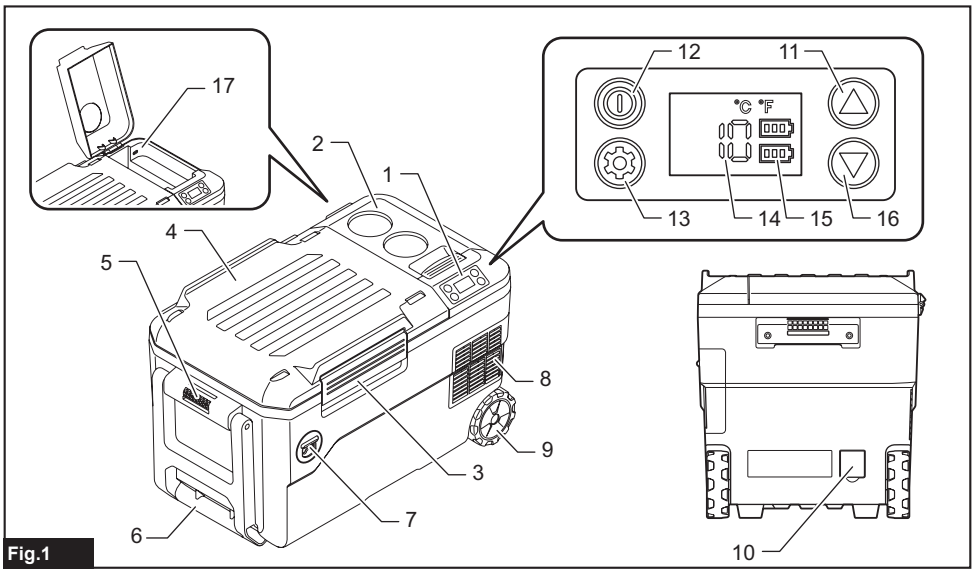


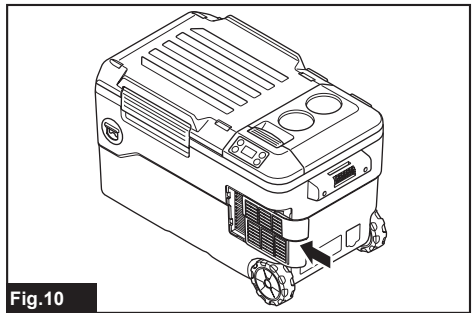
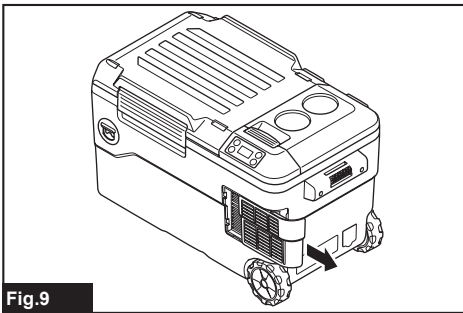
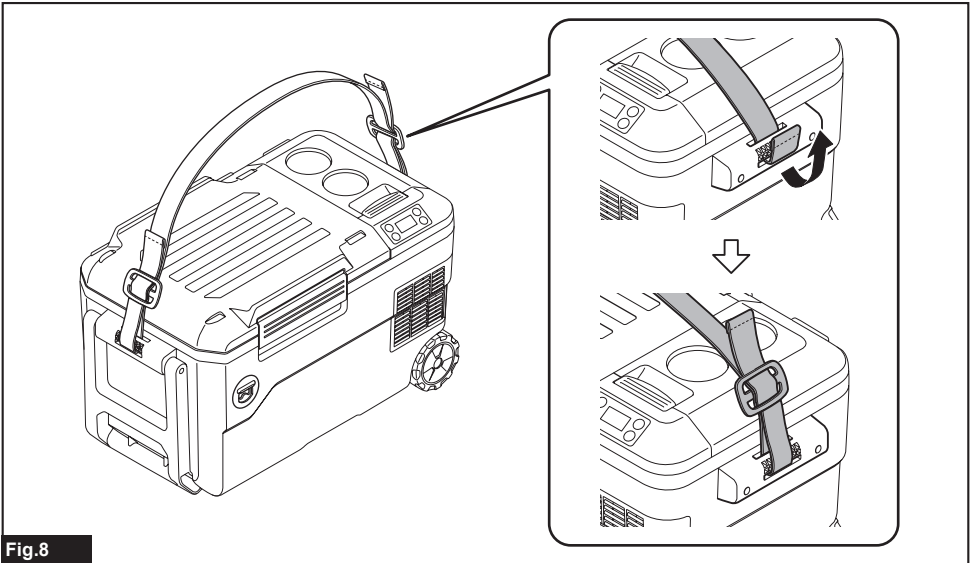
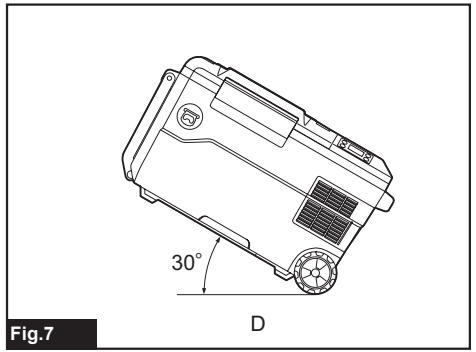
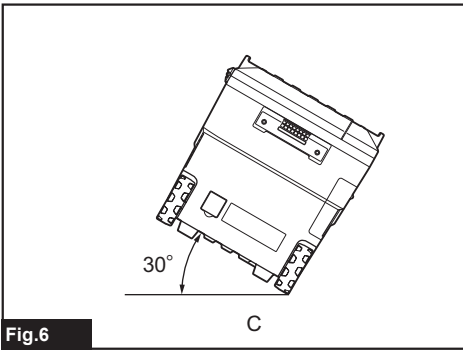
<b>EN</b>	<b>Cordless Cooler &amp; Warmer Box</b>	<b>INSTRUCTION MANUAL</b>	<b>4</b>
<b>FRCA</b>	<b>Glacière &amp; réchaud sans fil</b>	<b>MANUEL D'INSTRUCTION</b>	<b>13</b>
<b>ESMX</b>	<b>Caja Enfriadora &amp; Térmica Inalámbrica</b>	<b>MANUAL DE INSTRUCCIONES</b>	<b>22</b>

## DCW180/ADCW180



**IMPORTANT:** Read Before Using.  
**IMPORTANT :** Lire avant usage.  
**IMPORTANTE:** Lea antes de usar.





# SPECIFICATIONS

<b>Model:</b>		<b>DCW180/ADCW180</b>	
Capacity		20L (5.3 gal)	
Input	Battery cartridge	D.C. 18V	
	AC adaptor	Refer the indication on the AC adaptor. (Input voltage varies depending on the country.)	
	Cigarette lighter adaptor	D.C. 12V / 24V	
Anti-shock protection class		III	
Climate type		SN/N/ST/T	
Insulation material / Foaming material		Polyurethane foam / Cyclopentane (C <sub>5</sub> H <sub>10</sub> )	
Refrigerant		R-1234yf (26g) (0.06lbs)	
Operating power		cooling power 90W, heating power 42W	
Dimensions	External dimensions	623(L)mm x 341(W)mm x 371.5(H)mm (24-1/2" x 13-3/8" x 14-5/8")	
	Inside of the chamber	323(L)mm x 240(W)mm x 261(H)mm (12-3/4" x 9-1/2" x 10-1/4")	
Net weight		14.7kg (32.4lbs) (with BL1860 x 2)/13.3kg (29.3lbs) (without battery)	
Protection degree		IPX4 (only powered by battery pack)	
Operating time * (with BL1860B x1)	30 °C (85 °F) ambient temperature	-10 °C (15 °F) control temperature	4.5 hours
		5 °C (40 °F) control temperature	8.5 hours
	0 °C (30 °F) ambient temperature	60 °C (140 °F) control temperature	2 hours
Applicable battery cartridge		BL1815N / BL1820B / BL1830 / BL1830B / BL1840B / BL1850B / BL1860B	
Applicable charger		DC18RC / DC18RD / DC18RE / DC18SD / DC18SE / DC18SF / DC18SH	
USB power supply port		Type	A
		Output voltage	D.C. 5V
		Output current	D.C. 2.4A

- \* Operating times are approximate and may differ depending on battery type, charging status, and usage condition.
- Due to our continuing program of research and development, the specifications herein are subject to change without notice.
  - Specifications may differ from country to country.
  - Some of the battery cartridges and chargers listed above may not be available depending on your region of residence.

**⚠WARNING: Only use the battery cartridges and chargers listed above.** Use of any other battery cartridges and chargers may cause injury and/or fire.

## Symbols

The followings show the symbols which may be used for the appliance. Be sure that you understand their meaning before use.



Caution: risk of fire.

## SAFETY WARNINGS

- This appliance is not intended for use by persons (including children) with reduced physical, sensory or mental capabilities, or lack of experience and knowledge, unless they have been given supervision or instruction concerning use of the appliance by a person responsible for their safety.**  
Children should be supervised to ensure that they do not play with the appliance.
- The device is suitable for:
  - Operation in vehicles
  - Cooling and deep-freezing food
  - Camping use only when the appliance powered by battery pack
- WARNING: Keep ventilation openings in the appliance enclosure clear of obstruction.**
- WARNING: Do not use mechanical devices or other means to accelerate the defrosting process, other than those recommended by the manufacturer.**
- WARNING: Do not use electrical appliances inside the food storage compartments of the appliance, unless they are of the type recommended by the manufacturer.**
- Do not store explosive substances such as aerosol cans with a flammable propellant in this appliance.
- This appliance is intended to be used in household and similar applications such as
  - staff kitchen areas in shops, offices and other working environments;
  - farm houses and by clients in hotels, motels and other residential type environments;
  - bed and breakfast type environments;
  - catering and similar non-retail applications.
- If the SUPPLY CORD is damaged, it must be replaced by a special cord or assembly available from the manufacturer or its service agent.
- This appliance contains flammable insulation blowing gases inside. When disposing the appliance, follow your local regulations relating to disposal of flammable insulation blowing gases.
- WARNING: Risk of child entrapment. Before you throw away your old refrigerator or freezer:**
  - \* Take off the doors.

- This appliance uses **FLAMMABLE REFRIGERANTS**. Read and follow this instructions for handling. Ask our service center for servicing. When disposing the appliance, follow your local regulations relating to disposal of **FLAMMABLE REFRIGERANTS**.
- When positioning the appliance, ensure the power cord is not tapped or damaged.
- Do not locate multiple portable socket-outlets or portable power supplies at the rear of the appliance.
- WARNING: Do not damage the refrigerant circuit.**
- The installation clearance around and above the unit shall be no less than 15mm.

## IMPORTANT NOTICES

- Read the instruction manual carefully before use.
- Check if the voltage range used is the same as that marked on the nameplate, whether the power cord plug is match the socket, and ensure that the socket is well grounded.
- Even if the appliance is not in use, do not place the appliance upside down, or tilt it above 15°. Otherwise malfunction may occur.
- When carrying the appliance, keep the appliance with the upper cover facing up. Do not carry the appliance with upside down. Otherwise malfunction may occur.
- Do not immerse the appliance in water or other liquid to prevent electric shock. Do not expose to rain.
- When not in use or clean, remove the battery and unplug the power plug.
- Any accessories not recommended by the manufacturer may not be used.
- Do not place the appliance next to a high-temperature gas or electric stove to avoid accidents.
- Do not start the power button frequently (at least 5 minutes each time) to avoid damage to the compressor.
- Do not insert metal foil or other conductive materials into the appliance to prevent fire or short circuit.
- Do not use chemical washing liquids and hard tools to clean the product.
- Insert the plug completely into the "DC IN" inlet. Failure to do so may deform the plug or cause a fire.
- Clean the cigarette lighter socket before inserting the plug. Failure to do so may deform the plug or cause a fire.
- Do not operate the appliance while driving. Doing so may cause an accident.

15. **When the remaining automobile battery capacity gets small, use the appliance with the engine running. After using the appliance, unplug the cigarette lighter socket to prevent the loading on the automobile battery.**
16. **Do not abuse the AC adaptor and cigarette lighter adaptor.**
17. **Clean the plug of the AC adaptor and cigarette lighter adaptor.** Dirt such as water or salt adhering to the plug may cause rust and result poor conductivity, deformation or fire.
18. **Do not touch the plug of the AC adaptor and cigarette lighter adaptor immediately after operation.** They may be extremely hot and could burn your skin.
19. **Do not disassemble the appliance.**
20. **Do not charge the car battery while using the appliance.** Unacceptable voltage may be applied to the product, resulting in failure or fire.
21. **Do not use flammable sprayer near the appliance.** Otherwise it may cause fire.
22. **During operation, do not touch the contents, especially those made of metal, inside the appliance with wet hands.** Doing so may cause frostbite.
23. **Do not handle the plug with wet or greasy hand.** Doing so may cause electric shock.
24. **Do not put such as medicines or academic materials in the appliance.** This appliance cannot storage the materials that require strict temperature control.
25. **Do not use this product as a stepstool or chair.** It may cause falls and injuries.
26. **Do not leave this appliance in hot places, such as in a car under the sun.** Doing so may cause fire.
27. **Do not allow small children and pets to play with this appliance. Keep the appliance out of reach of children when storing.**
28. **Do not overfill food and drink in the appliance.** Cooling performance may be reduced, causing food and drink to rot.
29. **Be careful not to run out of battery power while keeping food and drink cool or warm. Do not store opened foods for a long time.** Food and drink may rot.
30. **Do not use near heating materials or gas appliances.** Cooling performance may be reduced, or a gas leak may cause a fire.
31. **Do not use a knife or a screwdriver to remove ice or frost from the appliance.** Doing so may damage the inside of the appliance and cause a malfunction, or the enclosed gas or oil may squirt.
32. **Do not use the DC output (DC) of the engine generator as the power supply.** Doing so may cause a failure.
33. **Do not put water etc. directly in the appliance. Water may get inside the appliance and cause a malfunction. If water has accumulated in the chamber, wipe it off with a soft cloth.**
34. **Be careful not to pinch your finger when closing and opening the upper cover.**
35. **Do not put things that are easily perishable when operating heating mode.** Food and drink may rot.
36. **When operating heating mode, do not touch the inside of the appliance with your hand for a long time.** Risk of low-temperature burns.
37. **Do not use this appliance in the refrigerator vehicle or refrigerator chamber.** Dew condensation easily occurs in the refrigerator vehicle and refrigerator chamber, causing water droplets to fall on the appliance and result in malfunctions.
38. **Do not put creatures such as pets in the appliance.** This appliance cannot save creatures.
39. **Do not put a cold agent in a broken bag. If the cold agent leak in the appliance, the metal part of the appliance may be corroded. If the cold agent leaks, wipe it off with a damp soft cloth and then wipe dry with a soft cloth.**
40. **Attach the shoulder band securely so that it does not drop off due to the weight of the appliance.** Otherwise the appliance may fall and cause injury.
40. **When putting food and drink in the appliance, put a cold or hot thing in advance.** This appliance cannot cool or heat in a short time.
42. **When using the appliance in a car, be sure to install the appliance in a stable place such as the luggage space or the feet of the rear seats, and fix it. Do not place the appliance on the seat in an unstable state.** If the car suddenly starts or stops during driving, the appliance may fall over and move, causing injury.
43. **Hold the appliance firmly when carrying.** Otherwise the appliance may fall and cause a malfunction, or falling on your feet may cause injury.

## Safety warnings for battery-operated appliance

### Battery-operated appliance use and care

1. **Prevent unintentional starting. Ensure the switch is in the off-position before connecting to battery pack, picking up or carrying the appliance.** Carrying the appliance with your finger on the switch or energizing appliance that have the switch on invites accidents.
2. **Disconnect the battery pack from the appliance before making any adjustments, changing accessories, or storing appliance.** Such preventive safety measures reduce the risk of starting the appliance accidentally.
3. **Recharge only with the charger specified by the manufacturer.** A charger that is suitable for one type of battery pack may create a risk of fire when used with another battery pack.

4. **Use appliances only with specifically designated battery packs.** Use of any other battery packs may create a risk of injury and fire.
5. **When battery pack is not in use, keep it away from other metal objects, like paper clips, coins, keys, nails, screws or other small metal objects, that can make a connection from one terminal to another.** Shorting the battery terminals together may cause burns or a fire.
6. **Under abusive conditions, liquid may be ejected from the battery; avoid contact. If contact accidentally occurs, flush with water. If liquid contacts eyes, additionally seek medical help.** Liquid ejected from the battery may cause irritation or burns.
7. **Do not use a battery pack or appliance that is damaged or modified.** Damaged or modified batteries may exhibit unpredictable behaviour resulting in fire, explosion or risk of injury.
8. **Do not expose a battery pack or appliance to fire or excessive temperature.** Exposure to fire or temperature above 130 °C may cause explosion.
9. **Follow all charging instructions and do not charge the battery pack or appliance outside the temperature range specified in the instructions.** Charging improperly or at temperatures outside the specified range may damage the battery and increase the risk of fire.
10. **Have servicing performed by a qualified repair person using only identical replacement parts.** This will ensure that the safety of the product is maintained.
11. **Do not modify or attempt to repair the appliance or the battery pack except as indicated in the instructions for use and care.**
6. **Do not store and use the appliance and battery cartridge in locations where the temperature may reach or exceed 50 °C (122 °F).**
7. **Do not incinerate the battery cartridge even if it is severely damaged or is completely worn out. The battery cartridge can explode in a fire.**
8. **Do not nail, cut, crush, throw, drop the battery cartridge, or hit against a hard object to the battery cartridge.** Such conduct may result in a fire, excessive heat, or explosion.
9. **Do not use a damaged battery.**
10. **The contained lithium-ion batteries are subject to the Dangerous Goods Legislation requirements.**  
For commercial transports e.g. by third parties, forwarding agents, special requirement on packaging and labeling must be observed.  
For preparation of the item being shipped, consulting an expert for hazardous material is required. Please also observe possibly more detailed national regulations.  
Tape or mask off open contacts and pack up the battery in such a manner that it cannot move around in the packaging.
11. **When disposing the battery cartridge, remove it from the appliance and dispose of it in a safe place. Follow your local regulations relating to disposal of battery.**
12. **Use the batteries only with the products specified by Makita.** Installing the batteries to non-compliant products may result in a fire, excessive heat, explosion, or leak of electrolyte.
13. **If the appliance is not used for a long period of time, the battery must be removed from the appliance.**
14. **During and after use, the battery cartridge may take on heat which can cause burns or low temperature burns. Pay attention to the handling of hot battery cartridges.**
15. **Do not touch the terminal of the tool immediately after use as it may get hot enough to cause burns.**
16. **Do not allow chips, dust, or soil stuck into the terminals, holes, and grooves of the battery cartridge.** It may result in poor performance or breakdown of the tool or battery cartridge.
17. **Unless the tool supports the use near high-voltage electrical power lines, do not use the battery cartridge near high-voltage electrical power lines.** It may result in a malfunction or breakdown of the tool or battery cartridge.
18. **Keep the battery away from children.**

## Important safety instructions for battery cartridge

1. **Before using battery cartridge, read all instructions and cautionary markings on (1) battery charger, (2) battery, and (3) product using battery.**
2. **Do not disassemble battery cartridge.**
3. **If operating time has become excessively shorter, stop operating immediately. It may result in a risk of overheating, possible burns and even an explosion.**
4. **If electrolyte gets into your eyes, rinse them out with clear water and seek medical attention right away. It may result in loss of your eyesight.**
5. **Do not short the battery cartridge:**
  - (1) **Do not touch the terminals with any conductive material.**
  - (2) **Avoid storing battery cartridge in a container with other metal objects such as nails, coins, etc.**
  - (3) **Do not expose battery cartridge to water or rain.**

**A battery short can cause a large current flow, overheating, possible burns and even a breakdown.**

## SAVE THESE INSTRUCTIONS.

**⚠ CAUTION:** Only use genuine Makita batteries. Use of non-genuine Makita batteries, or batteries that have been altered, may result in the battery bursting causing fires, personal injury and damage. It will also void the Makita warranty for the Makita appliance and charger.

### Tips for maintaining maximum battery life

1. **Charge the battery cartridge before completely discharged. Always stop appliance operation and charge the battery cartridge when you notice less appliance power.**
2. **Never recharge a fully charged battery cartridge. Overcharging shortens the battery service life.**
3. **Charge the battery cartridge with room temperature at 10 °C - 40 °C (50 °F - 104 °F). Let a hot battery cartridge cool down before charging it.**
4. **When not using the battery cartridge, remove it from the tool or the charger.**
5. **Charge the battery cartridge if you do not use it for a long period (more than six months).**



# PARTS DESCRIPTION

► Fig.1

1	Control panel	2	Battery cover	3	Upper cover hook
4	Upper cover	5	Handle	6	Carrying Handle
7	Opener	8	Filter cover	9	Wheel
10	"DC IN" socket	11	Temperature plus button	12	Power button
13	Cool / heat switch button	14	Temperature display	15	Battery indicator
16	Temperature reduction button	17	USB power supply port	-	-

## OPERATION

**⚠ CAUTION:** Do not put things that are easily perishable in the chamber. The food or drink may rot.

**NOTE:** When operating the appliance in high humid environment, dew condensation may occur on the appliance. This is not malfunction of the appliance. Use a dry cloth to wipe the dew condensation off the appliance.

### 1. Connecting the power supply

#### A) Battery

**⚠ CAUTION:** Always switch off the tool before installing or removing of the battery cartridge.

**⚠ CAUTION:** Hold the tool and the battery cartridge firmly when installing or removing battery cartridge. Failure to hold the tool and the battery cartridge firmly may cause them to slip off your hands and result in damage to the tool and battery cartridge and a personal injury.

**⚠ CAUTION:** Be careful not to pinch your finger when opening or closing the battery cover.

To install the battery cartridge, open the battery cover.

Align the tongue on the battery cartridge with the groove in the housing and slip it into place. Insert it all the way until it locks in place with a little click. Then close the battery cover.

To remove the battery cartridge, slide it from the appliance while sliding the button on the front of the cartridge.

► Fig.2

- 1. Red indicator 2. Button 3. Battery cartridge

**⚠ CAUTION:** Always install the battery cartridge fully until the red indicator cannot be seen. If not it may accidentally fall out of the tool causing injury to you or someone around you.

**⚠ CAUTION:** Do not install the battery cartridge forcibly. If the cartridge does not slide in easily, it is not being inserted correctly.

**NOTE:** Up to two battery cartridges can be installed, although the appliance uses one battery cartridge for operation.

#### B) AC adaptor

When using the appliance with AC power, use the AC adaptor supplied with the appliance. Insert the plug to "DC IN" inlet of the appliance and then insert the other end to an outlet.

#### C) Cigarette lighter adaptor

When using the appliance with the cigarette lighter socket, use the cigarette lighter adaptor supplied with the appliance. Insert the plug to "DC IN" inlet of the appliance and then insert the other end to the cigarette lighter socket.

**⚠ CAUTION:** Insert the plug completely into the "DC IN" inlet. Failure to do so may deform the plug or cause a fire.

**⚠ CAUTION:** Always close the "DC IN" socket cover firmly when the power cord is not plugged.

**NOTICE:** When the appliance has been operated for about 24 hours with the battery cartridge installed, battery cartridge may shut down its own power to protect the battery cartridge. In this case, the appliance can not operate with the battery power supply and the battery indicator also goes off.

To resume the battery power supply, remove and re-install the battery cartridge.

**NOTE:** When the appliance shifts power supply, the compressor will stop for about 3 minutes to protect the compressor.

**NOTE:** After turning off the appliance, it takes about 3 minutes to restart the compressor because of the protection of the compressor.

### 2. Turning on the appliance

Press the power button to turn on the appliance. Press the power button again to turn off the appliance.

### 3. Switching cooling / heating mode

Press the cool / heat switch button to switch the operating mode.

The temperature display flashes the control temperature.

- When the appliance operates in cooling mode, the control temperature is -10 °C, -5 °C, 0 °C, 5 °C or 10 °C (15 °F, 25 °F, 30 °F, 40 °F or 50 °F).
- When the appliance operates in heating mode, the control temperature is 55 °C or 60 °C (130 °F or 140 °F).

### 4. Selecting the control temperature

Press the temperature plus button or the temperature reduction button to select the control temperature.

The appliance starts cooling / heating 5 seconds after without any operation, then the control temperature stop flashing and the temperature display shows the current temperature.

The appliance stops cooling / heating when the current temperature reaches the control temperature.

### Tips for efficient cooling

Opening the upper cover for long periods can cause significant increase of the temperature in the chamber.



- Clean regularly surfaces that can come in contact with food and accessible drainage systems.
- Store raw meat and fish in suitable containers in the chamber, so that it is not in contact with or drip onto other food.
- If the chamber is left empty for long periods:
  - Switch off the appliance.
  - Defrost the chamber.
  - Clean and dry the chamber.
  - Leave the upper cover open to prevent mould developing within the chamber.

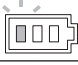

## FUNCTION

### Indicating the remaining battery capacity

The battery indicator shows the remaining battery capacity.

The remaining battery capacity is shown as the following table.

Battery indicator status		Remaining battery capacity
On	Off	
		50% to 100%
		20% to 50%

Battery indicator status		Remaining battery capacity
On	Off	
		0% to 20%
 (Blinking)		Charge the battery

### (Only for battery cartridges with the indicator)

Press the check button on the battery cartridge to indicate the remaining battery capacity. The indicator lamps light up for a few seconds.

► Fig.3

- 1. Indicator lamps 2. Check button

Indicator lamps			Remaining capacity
Lighted	Off	Blinking	
■ ■ ■ ■			75% to 100%
■ ■ ■ □			50% to 75%
■ ■ □ □			25% to 50%
■ □ □ □			0% to 25%
▣ □ □ □			Charge the battery.
■ ■ □ □			The battery may have malfunctioned.
□ □ ■ ■	↑ ↓		

**NOTE:** Depending on the conditions of use and the ambient temperature, the indication may differ slightly from the actual capacity.

**NOTE:** The first (far left) indicator lamp will blink when the battery protection system works.

### Appliance / battery protection system

The appliance is equipped with the protection system. This system automatically cuts off power to extend appliance and battery life. The appliance will automatically stop during operation if the appliance or battery is placed under one of the following conditions.

#### 1. Battery overdischarge protection

When the battery capacity becomes low, the appliance stops automatically. The battery indicator prompts that the battery should be charged. Remove the batteries from the appliance and charge the batteries.

## 2. Overcurrent protection

When the appliance / battery is operated in a manner that causes it to draw an abnormally high current, the appliance automatically stops. In this situation, stop the application that caused the appliance to become overloaded. Then turn the appliance on to restart.

## 3. Low-voltage protection

When the car input voltage is lower than the rated voltage, this protection system turns off the appliance and the temperature display shows "F3" with beep sound.

## 4. Over-voltage protection

When the input voltage is higher than the rated voltage, this protection system turns off the appliance and the temperature display shows "F4" with beep sound.

## 5. Short circuit protection

The circuit has short circuit protection function in case of short circuit. In this situation, take the appliance to Makita Authorized or Factory Service Centers.

### Tilt protection function

The appliance is equipped with the tilt protection function. When operating the appliance in cooling mode, the appliance will automatically shut down if the appliance is placed under one of the following angles.

- A) When the appliance get equal to or greater than 30° from level angle as shown A in the figure, the appliance shuts down and the temperature display shows "F1" for a while. It takes 3 minutes to restart after the appliance back in level position.

► Fig.4

- B) When the appliance get equal to or greater than 30° from level angle as shown B in the figure, the appliance shuts down and the temperature display shows "F1" for a while. It takes 3 minutes to restart after the appliance back in level position.

► Fig.5

- C) When the appliance get equal to or greater than 30° from level angle as shown C in the figure, the appliance shuts down and the temperature display shows "F1" for a while. It takes 3 minutes to restart after the appliance back in level position.

► Fig.6

- D) When the appliance get equal to or greater than 30° from level angle as shown D in the figure, the appliance shuts down and the temperature display shows "F1" for a while. It takes 3 minutes to restart after the appliance back in level position.

► Fig.7

### USB charging

There is the USB port in the battery compartment. The USB port continuously outputs 5V voltage in operation state.

### Memory function

After setting the control temperature, if the user does not operate within 5 seconds, the current setting will be memorized. Next time, the appliance starts in the same setting.

### Switching the unit of temperature

You can switch the unit of temperature °C (degree Celsius) or °F (degree Fahrenheit) by following procedure.

1. Turn on the appliance.
2. Press the cool / heat switch button until the unit (°C or °F) starts flashing.
3. Press the temperature plus button or the temperature reduction button to select unit.
4. Press the cool / heat switch button, or leave the appliance 5 seconds without any operation. The unit selection is completed.

### Shoulder belt

1. Put the belt through left and right handles.
2. Buckle the belt.

► Fig.8

### Error code

For the specific errors, the temperature display shows following code.

Error code	Matter
F1	Tilt protection is active. Refer the section for the tilt protection function.
F2	Running out of battery.
F3	Input voltage is low. Refer the paragraph for the car input protection.
F4	Input voltage is high. Refer the paragraph for the overvoltage protection.
F5	Something is wrong with the sensor in the appliance. Take the appliance to Makita Authorized or Factory Service Centers.

## MAINTENANCE

**CAUTION:** Always be sure that the appliance is switched off, unplugged, and the battery cartridge is removed before attempting to perform inspection or maintenance.

**NOTICE:** Never use gasoline, benzine, thinner, alcohol or the like. Discoloration, deformation or cracks may result.

To maintain product SAFETY and RELIABILITY, repairs, any other maintenance or adjustment should be performed by Makita Authorized or Factory Service Centers, always using Makita replacement parts.

## Cleaning

- Clean the oil stain in the chamber regularly.
- Clean around the interior of the chamber to prevent odor.
- Clean the dust on the filter regularly to improve the refrigeration efficiency.
- The sealing strip of the upper cover is easy to get dirty, clean it in time.

## Defrosting

To defrost, turn off the power and wait until the frost has melted. Then wipe off the water.

## Cleaning the filter

1. Push the slide cover in the direction of the arrow shown in the figure, and then take the filter cover off.

► Fig.9

2. Take off the filter, clean the filter, and then install the filter back in the filter cover.
3. Install the filter cover back.

► Fig.10

## OPTIONAL ACCESSORIES

**⚠ CAUTION:** These accessories or attachments are recommended for use with your Makita tool specified in this manual. The use of any other accessories or attachments might present a risk of injury to persons. Only use accessory or attachment for its stated purpose.

If you need any assistance for more details regarding these accessories, ask your local Makita Service Center.

- Makita genuine battery and charger

**NOTE:** Some items in the list may be included in the tool package as standard accessories. They may differ from country to country.

## MAKITA LIMITED WARRANTY

Please refer to the annexed warranty sheet for the most current warranty terms applicable to this product. If annexed warranty sheet is not available, refer to the warranty details set forth at below website for your respective country.

United States of America: [www.makitatools.com](http://www.makitatools.com)

Canada: [www.makita.ca](http://www.makita.ca)

Other countries: [www.makita.com](http://www.makita.com)

# SPÉCIFICATIONS

Modèle :		DCW180/ADCW180	
Capacité		20L (5,3 gallons)	
Entrée	Cartouche de pile	18V C.C.	
	Adaptateur AC	Se référer aux indications d'adaptateur AC. (La tension d'entrée est changée selon le pays.)	
	Adaptateur d'allume-cigare	12V/24V C.C.	
Classe de protection d'anti-choc		III	
Type de climat		SN/N/ST/T	
Matériaux d'isolation / matériaux de mousage		Mousse de polyuréthane / cyclopentane (C <sub>5</sub> H <sub>10</sub> )	
Réfrigérant		R-1234yf (26 g) (0,06 livres)	
Puissance d'opération		Puissance de refroidissement 90W, puissance de chauffage 42W	
Dimensions	Dimensions externes	623(L)mm x 341(l)mm x 371,5(H)mm (24-1/2" x 13-3/8" x 14-5/8")	
	Dans la chambre	323(L)mm x 240(l)mm x 261(H)mm (12-3/4" x 9-1/2" x 10-1/4")	
Poids net		14,7kg (32,4 livres) (avec BL1860 x 2) / 13,3kg (29,3 livres) (sans pile)	
Degré de protection		IPX4 (elle est seulement alimentée par l'ensemble de pile.)	
Durée de fonctionnement * (avec BL 1860B x 1)	Température ambiante 30 °C (85 °F)	Température de contrôle -10 °C (15 °F)	4,5 heures
		Température de contrôle 5 °C (40 °F)	8,5 heures
	Température ambiante 0 °C (30 °F)	Température de contrôle 60 °C (140 °F)	2 heures
Cartouche de pile applicable		BL1815N / BL1820B / BL1830 / BL1830B / BL1840B / BL1850B / BL1860B	
Chargeur applicable		DC18RC / DC18RD / DC18RE / DC18SD / DC18SE / DC18SF / DC18SH	
Port d'alimentation USB		Type	A
		Tension de sortie	5V C.C.
		Courant de sortie	2,4A C.C.

\* Les durées de fonctionnement sont une valeur approximative, et elle peut varier en fonction du type de pile, de l'état de charge et des conditions d'utilisation.

- En raison de notre programme de recherche et développement en continu, les spécifications ci-incluses peuvent être modifiées sans préavis.
- Les caractéristiques peuvent varier en fonction des pays.
- Certains chargeurs et certaines cartouches de pile répertoriées ci-dessus peuvent ne pas être disponibles selon votre région de résidence.

**⚠ AVERTISSEMENT : Utilisez uniquement les cartouches de pile et les chargeurs répertoriés ci-dessus.**  
L'utilisation de toute autre cartouche de pile et chargeur peut provoquer des blessures et/ou un incendie.

## Symboles

Les symboles suivants sont utilisés pour les équipements. Assurez-vous de bien comprendre leur signification avant de les utiliser.



Attention : risque d'incendie

## AVERTISSEMENTS DE SÉCURITÉ

1. Cet appareil n'est pas utilisé par les personnes (y compris les enfants) avec les capacités physiques, sensorielles ou mentales réduites, ou le manque d'expérience et de connaissance, à moins qu'elles ont reçu la supervision ou les instructions sur l'utilisation d'appareil par une personne responsable de leur sécurité.  
Les enfants doivent être surveillés afin d'assurer qu'ils ne jouent pas avec l'appareil.
2. L'appareil est applicable pour :
  - Opération dans les véhicules
  - Refroidissement et surgélation d'aliment
  - Lorsque l'appareil est alimenté par l'ensemble de pile, il est seulement utilisé pour le camping.
3. **AVERTISSEMENT** : L'ouverture de ventilation libre est maintenue dans l'enceinte d'appareil sans obstruction.
4. **AVERTISSEMENT** : Sauf recommandation par le fabricant, les dispositifs mécaniques ou les autres moyens ne sont pas utilisés pour accélérer le processus de dégivrage.
5. **AVERTISSEMENT** : L'appareil électrique n'est pas utilisé dans les compartiments de stockage d'aliment d'appareil, sauf type recommandé par le fabricant.
6. Les substances explosives telles que l'aérosol avec le propulseur inflammable ne peuvent pas être stockées dans l'appareil.
7. Cet appareil est utilisé dans les applications domestiques et les applications similaires, telles que
  - Cuisine pour les personnels dans le magasin, le bureau et l'autre environnement de travail;
  - Maison de ferme et application par les clients dans les hôtels, les motels et les autres environnements de type résidentiel;
  - Lit et environnement de type de petit déjeuner
  - Restauration et application similaires de non-détail.
8. Si le CORDON D'ALIMENTATION est endommagé, il doit être remplacé par un cordon spécial ou un assemblage disponible fourni par le fabricant ou son agent de service.
9. Cet appareil contient le gaz de soufflage d'isolation inflammable. Lors de l'élimination d'appareil, il faut respecter les réglementations locales sur l'élimination du gaz de soufflage d'isolation inflammable.
10. **AVERTISSEMENT** : Risque de piégeage d'enfant Avant que vous jetez votre ancien réfrigérateur ou congélateur :  
\* Retirer les portes.

11. Cet appareil utilise les RÉFRIGÉRANTS INFLAMMABLES. Lisez et respectez ces instructions de manipulation. Demandez notre centre de service pour faire la réparation. Lors de l'élimination d'appareil, il faut respecter les réglementations locales sur l'élimination de RÉFRIGÉRANTS INFLAMMABLES.
12. Lors du positionnement d'appareil, il faut assurer que le cordon d'alimentation n'est pas tapé ou endommagé.
13. Ne placez pas plusieurs prises portables ou plusieurs alimentations à l'arrière d'appareil.
14. **AVERTISSEMENT** : N'endommagez pas le circuit de réfrigérant.
15. L'espacement d'installation autour de l'unité ou sur l'unité ne doit pas être inférieur à 15mm.

## AVIS IMPORTANTS

1. Lire soigneusement le manuel d'instructions avant l'utilisation.
2. Vérifiez si la plage de tension indiquée est pareille de la plage de tension indiquée sur la plaque signalétique et si le connecteur du cordon d'alimentation correspond à la prise, il faut assurer que la prise est bien mise à la terre.
3. Ne pas placer l'appareil à l'envers et ne pas incliner à plus de 15°, même si l'appareil n'est pas utilisé. Faute de quoi, le dysfonctionnement peut se produire.
4. Quand l'appareil est transporté, il est gardé avec le couvercle supérieur vers le haut. Ne pas transporter l'appareil à l'envers. Faute de quoi, le dysfonctionnement peut se produire.
5. N'immergez pas l'appareil dans l'eau ou l'autre liquide afin d'éviter le choc électrique. Ne l'exposez pas à la pluie.
6. Lorsqu'il n'est pas utilisé ou il est nettoyé, la pile et le cordon d'alimentation doivent être retirés.
7. Tout accessoire non recommandé par le fabricant ne peut pas être utilisé.
8. Ne placez pas l'appareil à côté d'un fourneau de gaz ou d'électricité à haute température afin d'éviter les accidents.
9. Ne démarrez pas fréquemment le bouton d'alimentation (au moins 5 minutes pour chaque fois) afin d'éviter d'endommager le compresseur.
10. N'insérez pas la feuille métallique ou les autres matériaux conducteurs dans l'appareil afin d'éviter l'incendie ou le court-circuit.
11. Les liquides de lavage chimique ou les outils durs ne sont pas utilisés pour nettoyer le produit.
12. Le connecteur est complètement inséré dans l'entrée "DC IN". Le non-respect peut déformer le connecteur ou causer l'incendie.
13. La prise d'allume-cigare est nettoyée avant d'insérer le connecteur. Le non-respect peut déformer le connecteur ou causer l'incendie.
14. L'appareil n'est pas utilisé lors de la conduite. Vous risqueriez de provoquer l'accident.
15. Lorsque la capacité restante de pile automobile devient petite, l'appareil est utilisé avec le moteur fonctionné. Après d'utiliser l'appareil, la prise d'allume-cigare est débranchée afin d'éviter la charge de pile automobile.
16. N'abusez pas de l'adaptateur AC et l'adaptateur d'allume-cigare.

17. **Le connecteur d'adaptateur AC et l'adaptateur d'allume-cigare sont nettoyés.** La saleté telle que l'eau ou le sel adhérent sur le connecteur, peut provoquer la rouille et entraîner la mauvaise conductivité, la déformation ou l'incendie.
18. **Le connecteur d'adaptateur AC et l'adaptateur d'allume-cigare ne doivent pas être immédiatement touchés après l'utilisation.** Ils peuvent terrer extrêmement chauds et brûler votre peau.
19. **Ne démontez pas l'appareil.**
20. **Ne chargez pas la pile de voiture lorsque l'appareil est utilisé.** Une tension non acceptable est appliquée au produit, elle peut entraîner le défaut ou l'incendie.
21. **Le pulvérisateur inflammable n'est pas utilisé à côté de l'appareil.** Sinon, vous risqueriez de provoquer l'incendie.
22. **Pendant l'opération, le contenu dans l'appareil ne doit pas être touché avec les mains mouillées, en particulier l'objet en métal.** Vous risqueriez de provoquer les gelures.
23. **Ne manipulez pas la prise avec la main mouillée ou grasseuse.** Vous risqueriez de provoquer le choc électrique.
24. **Ne mettez pas les médicaments ou les matériaux académiques dans l'appareil.** Cet appareil ne peut pas stocker les matériaux qui ont besoin du contrôle strict de température.
25. **Ce produit n'est pas utilisé comme l'escabeau ou la chaise.** Il peut causer les chutes et les blessures.
26. **Cet appareil ne doit pas être placé dans le lieu chaud, comme la voiture sous le soleil.** Vous risqueriez de provoquer l'incendie.
27. **Vous ne permettez pas les jeunes enfants et les animaux de jouer avec cet appareil.** L'appareil est gardé hors de portée d'enfant lors du stockage.
28. **Les aliments et les boissons ne doivent pas être excessivement remplis dans l'appareil.** Les performances de refroidissement peuvent être réduites, pour causer la pourriture d'aliment et de boisson.
29. **Il faut faire l'attention, la pile ne doit pas être épuisée pour garder les aliments et les boissons au frais ou au chaud. Les aliments ouverts ne doivent pas être stockés pendant une longue période.** L'aliment et la boisson peuvent être pourries.
30. **Ne faites pas l'utilisation à proximité des matériaux chauffants ou des appareils de gaz.** Les performances de refroidissement peuvent être réduites ou la fuite de gaz peut causer l'incendie.
31. **Le couteau ou le tournevis ne doit pas être utilisé pour enlever la glace ou le givre sur l'appareil.** Vous risqueriez d'endommager l'intérieur d'appareil et de causer le dysfonctionnement. Le gaz ou l'huile peut être giclé.
32. **La sortie DC du générateur de moteur ne doit pas être utilisée comme l'alimentation électrique.** Vous risqueriez de provoquer le défaut.
33. **L'eau ne doit pas être directement mise dans l'appareil.** L'eau peut entrer dans l'appareil et provoquer le dysfonctionnement. Si l'eau a été accumulée dans la chambre, elle est essuyée par un chiffon doux.
34. **Il faut faire l'attention, le doigt ne doit pas être pincé lorsque le couvercle supérieur est fermé et ouvert.**
35. **Les objets facilement périssables ne doivent pas être mis lorsque le mode de chauffage est utilisé.** L'aliment et la boisson peuvent être pourries.
36. **Lors de l'opération de mode de chauffage, l'intérieur d'appareil n'est pas touché par votre main pendant une longue période.** Risque de brûlures à basse température.
37. **Cet appareil n'est pas utilisé dans le véhicule de réfrigérateur ou la chambre de réfrigérateur.** La condensation de rosée est facilement produite dans le véhicule de réfrigérateur et la chambre de réfrigérateur, elle peut provoquer la chute de gouttelettes d'eau sur l'appareil et les dysfonctionnements.
38. **Ne mettez pas les créatures dans l'appareil, telles que les animaux domestiques.** Cet appareil ne peut pas sauver les créatures.
39. **L'agent froid ne doit pas être mis dans le sac cassé. If l'agent froid fuit dans l'appareil, la partie métallique d'appareil peut être corrodée. If l'agent froid fuit, il est essuyé par un chiffon doux humide, ensuite l'essuyage est fait avec un chiffon doux.**
40. **La bandoulière est solidement attachée afin qu'elle ne tombe pas en cause du poids d'appareil.** Sinon, l'appareil peut tomber et causer les blessures.
41. **Lorsque l'aliment et la boisson sont mises dans l'appareil, l'objet froid ou chaud est mis à l'avance.** Cet appareil ne peut pas être refroidi ou chauffé pendant un peu de temps.
42. **Lorsque l'appareil est utilisé dans une voiture, il faut assurer que l'appareil est installé dans un lieu stable, tels que le coffre de bagage ou le pied de siège arrière, enduite il est fixé. L'appareil n'est pas placé sur le siège en état instable.** Si la voiture est soudainement démarrée ou arrêtée, l'appareil peut tomber ou bouger pour provoquer les blessures.
43. **L'appareil doit être fermement tenu lors du transport.** Sinon, l'appareil peut tomber et provoquer le dysfonctionnement, ou tomber sur vos pieds pour provoquer les blessures.

## Avertissement de sécurité pour l'appareil alimenté par la pile

### Utilisation et entretien des appareils alimentés par les piles

1. **Empêchez tout démarrage accidentel.** Assurez-vous que l'interrupteur est en position d'arrêt avant de brancher le bloc-pile, de ramasser ou de transporter l'appareil. Le fait de transporter l'appareil avec le doigt sur l'interrupteur ou d'alimenter l'appareil avec l'interrupteur en marche risque d'entraîner des accidents.
2. **Débranchez le bloc-pile de l'appareil avant d'effectuer des réglages, de changer des accessoires ou de ranger l'appareil.** De telles mesures de sécurité préventives réduisent le risque de mettre en marche l'appareil accidentellement.
3. **Rechargez uniquement avec le chargeur spécifié par le fabricant.** Un chargeur adapté à un type de bloc-pile peut entraîner un risque d'incendie s'il est utilisé avec un autre bloc-pile.
4. **N'utilisez les appareils qu'avec des blocs-pile spécialement conçus à cet effet.** L'utilisation de tout autre bloc-pile peut entraîner un risque de blessure et d'incendie.



5. Lorsque le bloc-pile n'est pas utilisé, éloignez-le des autres objets métalliques, tels que trombones, pièces de monnaie, clés, clous, vis ou autres petits objets métalliques qui peuvent établir la connexion d'une borne à une autre. Court-circuiter les bornes de la pile ensemble peut causer des brûlures ou un incendie.
6. Dans des conditions extrêmes, du liquide peut être éjecté de la pile; évitez tout contact. En cas de contact accidentel, rincez-vous à grande eau. Si le liquide entre en contact avec les yeux, consultez un médecin. Le liquide éjecté de la pile peut causer une irritation ou des brûlures.
7. N'utilisez pas un bloc-pile ou un appareil endommagé ou modifié. Les piles endommagées ou modifiées peuvent présenter un fonctionnement imprévisible et provoquer un incendie, une explosion ou un risque de blessure.
8. N'exposez pas un bloc-pile ou un appareil à un feu ou à une température excessive. Une exposition au feu ou à une température supérieure à 130 °C peut provoquer une explosion.
9. Suivez toutes les instructions de rechange et ne chargez pas le bloc-pile ou l'appareil à l'extérieur de la plage de température spécifiée dans les instructions. Une charge incorrecte ou à des températures à l'extérieur de la plage spécifiée peut endommager la pile et augmenter le risque d'incendie.
10. Faites effectuer l'entretien par un réparateur qualifié en n'utilisant que des pièces de rechange identiques. Cela garantira le maintien de la sécurité du produit.
11. Ne modifiez pas l'appareil ou le bloc-pile, et n'essayez pas de les réparer vous-même, sauf comme indiqué dans les instructions d'utilisation et d'entretien.
6. Ne pas entreposer et utiliser l'appareil et la cartouche de pile dans des endroits où la température peut atteindre ou dépasser 50 °C (122 °F).
7. Ne pas incinérer la cartouche de pile, même si elle est gravement endommagée ou complètement usée. La cartouche de pile peut exploser lorsque jetée dans un feu.
8. Ne pas clouer, couper, écraser, jeter, échapper la cartouche de pile ou frapper celle-ci contre un objet dur. Une telle conduite pourrait entraîner un incendie, une chaleur excessive ou une explosion.
9. N'utilisez pas une pile endommagée.
10. Les piles au lithium-ion sont soumises aux exigences de la législation en matière de marchandises dangereuses.  
Pour les transports commerciaux, par des tiers ou des agents de transport par exemple, des exigences particulières en matière d'emballage et d'étiquetage doivent être respectées.  
Pour la préparation de l'article à expédier, il faut consulter un expert en matières dangereuses. Veuillez également respecter les réglementations nationales probablement plus détaillées.  
Attachez ou masquez les contacts ouverts et emballez le bloc-pile de manière à ce qu'il ne puisse pas se déplacer dans l'emballage.
11. Lors de la mise au rebut de la cartouche de pile, retirez-la de l'appareil et mettez-la dans un endroit sûr. Respectez les réglementations locales relatives à l'élimination des piles.
12. N'utilisez les piles qu'avec les produits mentionnés par Makita. L'installation des piles sur des produits non conformes peut provoquer un incendie, une chaleur excessive, une explosion ou une fuite d'électrolyte.
13. Si l'appareil n'est pas utilisé pendant une longue période, la pile doit être retirée de l'appareil.
14. La cartouche de pile peut accumuler de la chaleur pendant et après l'utilisation, ce qui peut provoquer des brûlures ou des brûlures de faible température. Faites attention lors de la manipulation de cartouches de pile chaudes.
15. Ne touchez pas la borne de l'outil immédiatement après utilisation car elle pourrait devenir assez chaude pour provoquer des brûlures.
16. Ne permettez pas à des copeaux, de la poussière, ou de la terre de rester pris dans les bornes, les trous et les rainures de la cartouche de pile. Cela pourrait entraîner de mauvaises performances ou un bris de l'outil ou de la cartouche de pile.
17. À moins que l'outil ne supporte une utilisation près de lignes électriques de haute tension, n'utilisez pas la cartouche de pile près de telles lignes. Cela pourrait entraîner un mauvais fonctionnement ou un bris de l'outil ou de la cartouche de pile.
18. Conservez la pile éloignée des enfants.

## Consignes de sécurité importantes pour la cartouche de pile

1. Avant d'utiliser la cartouche de pile, lisez toutes les instructions et les mises en garde sur (1) le chargeur de pile, (2) la pile et (3) le produit utilisant une pile.
2. Ne démontez pas la cartouche de pile.
3. Si le temps de fonctionnement est devenu excessivement plus court, cessez immédiatement d'utiliser l'appareil. Cette situation peut entraîner un risque de surchauffe, de brûlures et même d'explosion.
4. Si de l'électrolyte entre dans vos yeux, rincez-les à l'eau claire et consultez immédiatement un médecin. Cet incident pourrait entraîner une perte de la vue.
5. Ne court-circuitez pas la cartouche de pile :
  - (1) Ne touchez pas les bornes avec un matériau conducteur.
  - (2) Évitez de ranger la cartouche de piles dans un contenant avec d'autres objets métalliques, tels que des clous, des pièces de monnaie, etc.
  - (3) N'exposez pas la cartouche de pile à l'eau ou à la pluie.

Un court-circuit de la pile peut causer un flux de courant important, une surchauffe, des brûlures possibles et même une panne.



## CONSERVEZ CES INSTRUCTIONS.

**⚠ ATTENTION** : N'utilisez que des piles Makita d'origine. L'utilisation de piles Makita non authentiques, ou de piles qui ont été modifiées, peut entraîner l'éclatement de la pile et provoquer des incendies, des blessures corporelles et des dommages. Cela annulera également la garantie de Makita pour l'appareil et le chargeur Makita.

### Conseils pour maintenir la durée de vie maximale de la pile

1. Chargez la cartouche de pile avant de la décharger complètement. Arrêtez toujours le fonctionnement de l'appareil et chargez la cartouche de pile lorsque vous remarquez une diminution de la puissance de l'appareil.
2. Ne rechargez jamais une cartouche de pile complètement chargée. Une surcharge réduit la durée de vie de la pile.
3. Chargez la cartouche de pile à température ambiante entre 10 °C et 40 °C (50 °F et 104 °F). Laissez refroidir une cartouche de pile chaude avant de la recharger.
4. Retirez la cartouche de pile de l'outil ou du chargeur lorsque vous ne l'utilisez pas.
5. Chargez la cartouche de pile si vous ne l'utilisez pas pendant une longue période (plus de six mois).

# DESCRIPTION DE PIÈCES

## ► Fig.1

1	Panneau de contrôle	2	Couvercle du compartiment à piles	3	Crochet de couvercle supérieur
4	Couvercle supérieur	5	Poignée	6	Poignée de transport
7	Dispositif d'ouverture	8	Couvercle de filtre	9	Roue
10	Prise "DC IN"	11	Bouton d'augmentation de température	12	Bouton d'alimentation
13	Bouton de commutation de refroidissement/chauffage	14	Affichage de température	15	Indicateur de pile
16	Bouton de réduction de température	17	Port d'alimentation USB	-	-

## FONCTIONNEMENT

**⚠ ATTENTION :** Ne pas mettre les choses qui sont facilement périssables dans la chambre. L'aliment ou la boisson peut pourrir.

**REMARQUE :** Pendant l'opération de l'appareil dans l'environnement hautement humide, la condensation de rosée peut se produire sur l'appareil. Il ne s'agit pas d'un dysfonctionnement de l'appareil. Utilisez un chiffon sec afin d'essuyer la condensation de rosée pour l'éliminer en dehors de l'appareil.

### 1. Connexion d'alimentation

#### A) Pile

**⚠ ATTENTION :** Éteignez toujours l'outil avant d'installer ou de retirer la cartouche de pile.

**⚠ ATTENTION :** Tenez fermement l'outil et la cartouche de pile lorsque vous installez ou retirez la cartouche de pile. Si vous ne tenez pas fermement l'outil et la cartouche de pile, ils risquent de glisser de vos mains et d'endommager l'outil et la cartouche de pile et de provoquer des blessures corporelles.

**⚠ ATTENTION :** Il faut faire l'attention, le doigt ne doit pas être pincé lorsque le couvercle de pile est ouvert et fermé.

Le couvercle de pile est ouvert pour installer la pile. Alignez la languette de la cartouche de pile avec la rainure du boîtier et glissez-la en place. Insérez-la jusqu'à entendre un déclic. Fermez ensuite le couvercle du compartiment à piles. Pour retirer la cartouche de pile, faites-la glisser de l'appareil tout en faisant glisser le bouton à l'avant de la cartouche.

## ► Fig.2

► 1. Voyant rouge 2. Bouton 3. Cartouche de pile

**⚠ ATTENTION :** Installez toujours la cartouche de pile complètement jusqu'à ce que l'indicateur rouge ne soit plus visible. Si ce n'est pas le cas elle pourrait tomber accidentellement de l'outil et vous blesser ou blesser quelqu'un autour de vous.

**⚠ ATTENTION :** Ne forcez pas pour installer la cartouche de pile. Si la cartouche ne glisse pas facilement, elle n'est pas insérée correctement.

**REMARQUE :** Jusqu'à deux cartouches de pile peuvent être installées, bien que l'appareil utilise une seule cartouche de pile pour fonctionner.

#### B) Adaptateur AC

Lors de l'utilisation de l'appareil avec une alimentation par courant alternatif, utilisez l'adaptateur AC fourni avec l'appareil. Le connecteur est inséré dans l'entrée "DC IN" d'appareil, ensuite l'autre extrémité est insérée dans la prise.

#### C) Adaptateur d'allume-cigare

Lorsque l'appareil est utilisé avec la prise d'allume-cigare, l'adaptateur d'allume-cigare fourni avec l'appareil est utilisé. Le connecteur est inséré dans l'entrée "DC IN" d'appareil, ensuite l'autre extrémité est insérée dans la prise d'allume-cigare.

**⚠ ATTENTION :** Le connecteur est complètement inséré dans l'entrée "DC IN". Le non-respect peut déformer le connecteur ou causer l'incendie.

**⚠ ATTENTION :** Fermez toujours fermement le couvercle-prise électrique "DC IN" lorsque le cordon d'alimentation n'est pas branché.

**AVIS :** Lorsque l'appareil a fait le fonctionnement pendant environ 24 heures avec la cartouche de pile installée, la cartouche de pile peut éteindre son alimentation pour protéger la cartouche de pile. Dans ce cas, l'appareil ne peut pas faire le fonctionnement avec l'alimentation de pile et l'indicateur de pile est également éteint. La cartouche de pile est retirée et réinstallée pour reprendre l'alimentation de pile.

**REMARQUE :** Lorsque l'appareil change l'alimentation, le compresseur est arrêté pendant environ 3 minutes pour la protection de compresseur.

**REMARQUE :** Après d'éteindre l'appareil, il faut prendre environ 3 minutes pour redémarrer le compresseur en cause de la protection de compresseur.

### 2. Allumez l'appareil.

Appuyez sur le bouton d'alimentation pour allumer l'appareil. Appuyez sur le bouton d'alimentation à nouveau pour éteindre l'appareil.

### 3. Commutation du mode de refroidissement/chauffage

Appuyez sur le bouton de commutation de refroidissement/chauffage pour changer le mode d'opération. La température de contrôle clignote sur l'affichage de température.

- Lorsque l'appareil fait le fonctionnement dans le mode de chauffage, la température de contrôle est de -10 °C, -5 °C, 0 °C, 5 °C ou 10 °C (15 °F, 25 °F, 30 °F, 40 °F ou 50 °F).
- Lorsque l'appareil fait le fonctionnement dans le mode de refroidissement, la température de contrôle est de 55 °C ou 60 °C (130 °F ou 140 °F).

### 4. Sélection de la température de contrôle

Appuyez sur le bouton d'augmentation de température ou sur le bouton de réduction de température pour sélectionner la température de contrôle.

L'appareil démarre le refroidissement/chauffage dans 5 secondes sans opération, ensuite la température de contrôle arrête de clignoter et la température actuelle est affichée sur l'affichage de température.

L'appareil arrête le refroidissement/chauffage lorsque la température actuelle atteint la température de contrôle.

### Conseils pour le refroidissement efficace

Le couvercle supérieur qui est ouvert pendant une longue période peut causer l'augmentation significative de température dans la chambre.

- Les surfaces pouvant entrer en contact avec les aliments et les systèmes de drainage accessibles doivent être régulièrement nettoyées.
- La viande crue et le poisson cru sont conservés dans les récipients appropriés de chambre, afin qu'ils ne sont pas mis en contact avec les autres aliments et ils ne sont pas égouttés sur les autres aliments.
- Si la chambre est vide pendant une longue période :
  - Éteignez l'appareil.
  - Dégivrez la chambre.
  - Nettoyez et séchez la chambre.
  - Le couvercle supérieur est ouvert afin d'éviter la formation de moisissure dans la chambre.

## FONCTION

### Indication de la capacité restante de la pile

La capacité restante de pile est indiquée sur l'indicateur de pile.

La capacité restante de pile est indiquée dans le tableau suivant.

État de l'indicateur de pile		Capacité restante de pile
Allumage	Arrêt	
		50% à 100 %
		20% à 50%
		0% à 20%
		Chargez la pile

### (Uniquement pour les cartouches de pile avec indicateur)

Appuyez sur le bouton de vérification de la cartouche de pile pour indiquer la capacité restante de la pile. Les voyants lumineux s'allument pendant quelques secondes.

► Fig.3

- 1. Voyants lumineux 2. Bouton de vérification

Voyants lumineux			Capacité restante
Éclairé	Arrêt	Clignotant	
			75% à 100 %
			50% à 75%
			25% à 50%
			0% à 25%
			Chargez la pile.
			La pile a peut-être mal fonctionné.

**REMARQUE :** Selon les conditions d'utilisation et la température ambiante, l'indication peut différer légèrement de la capacité réelle.

**REMARQUE :** Le premier voyant lumineux (à gauche complètement) clignotera lorsque le système de protection de la pile fonctionne.

### Système de protection d'appareil/pile

L'appareil est équipé avec le système de protection. Ce système coupe automatiquement l'alimentation pour prolonger la durée de vie d'appareil et de pile. Si l'appareil ou la pile est placée dans l'une des conditions suivantes, l'appareil sera automatiquement arrêté pendant le fonctionnement.

## 1. Protection de la surcharge de pile

Lorsque la capacité de pile devient faible, l'appareil est automatiquement arrêté. L'indicateur de pile suggère que la pile doit être chargée. Retirez les piles dans l'appareil et chargez les piles.

## 2. Protection de surintensité

Lorsque l'appareil/pile est utilisé en certaine manière pour provoquer un courant anormalement élevé, l'appareil est automatiquement arrêté. Dans cette situation, arrêtez l'application qui a entraîné la surcharge d'appareil. Ensuite, allumez l'appareil pour le redémarrage.

## 3. Protection de basse tension

Lorsque la tension d'entrée de voiture est inférieure à la tension nominale, ce système de protection éteint l'appareil, et l'affichage de température indique "F3" avec le bip sonore.

## 4. Protection de suspension

Lorsque la tension d'entrée est supérieure à la tension nominale, ce système de protection éteint l'appareil, et l'affichage de température indique "F4" avec un bip sonore.

## 5. Protection de court-circuit

Le circuit possède la protection de court-circuit en cause de court-circuit. Dans cette situation, l'appareil est apporté au centre autorisé de Makita ou le centre de service d'usine.

## Fonction de la protection d'inclinaison

L'appareil est équipée avec la fonction de la protection d'inclinaison. Lorsque l'appareil fait le fonctionnement dans le mode de refroidissement, si l'appareil est placé sous l'un des angles suivants, l'appareil sera automatiquement éteint.

A) Lorsque l'appareil est égal ou supérieur à 30° par rapport à l'angle de niveau comme indiqué A sur la figure, l'appareil s'arrête et l'affichage de la température indique "F1" pendant un moment. Il faut prendre 3 minutes pour faire le redémarrage après que l'appareil est retourné dans la position horizontale.

### ► Fig.4

B) Lorsque l'appareil est égal ou supérieur à 30° par rapport à l'angle horizontal indiqué comme B dans la figure, l'appareil est éteint et l'affichage de température indique "F1" pendant un moment. Il faut prendre 3 minutes pour faire le redémarrage après que l'appareil est retourné dans la position horizontale.

### ► Fig.5

C) Lorsque l'appareil est égal ou supérieur à 30° par rapport à l'angle horizontal indiqué comme C dans la figure, l'appareil est éteint et l'affichage de température indique "F1" pendant un moment. Il faut prendre 3 minutes pour faire le redémarrage après que l'appareil est retourné dans la position horizontale.

### ► Fig.6

D) Lorsque l'appareil est égal ou supérieur à 30° par rapport à l'angle horizontal indiqué comme D dans la figure, l'appareil est éteint et l'affichage de température indique "F1" pendant un moment. Il faut prendre 3 minutes pour faire le redémarrage après que l'appareil est retourné dans la position horizontale.

### ► Fig.7

## Charge USB

Le port USB est disposé dans le compartiment de pile. Le port USB sort continuellement la tension 5V en état d'opération.

## Fonction de mémoire

Après de régler la température de contrôle, si l'utilisateur ne fait pas l'opération dans 5 secondes, le réglage actuel sera mémorisé. L'appareil est démarré avec le même réglage pour la fois prochaine.

## Changement de l'unité de température

Vous pouvez changer l'unité de température °C (Degrés Celsius) ou °F (Degrés Fahrenheit) selon la procédure suivante.

1. Allumez l'appareil.
2. Appuyez sur le bouton de changement de refroidissement/chauffage jusqu'à ce que l'unité commence à clignoter.
3. Appuyez sur le bouton d'augmentation de température ou le bouton de réduction de température pour sélectionner l'unité.
4. Appuyez sur le bouton de changement de refroidissement/chauffage, ou laissez l'appareil sans opération pendant 5 secondes. La sélection d'unité est terminée.

## Bandoulière

1. Traverser la ceinture dans la poignée gauche et droite.
2. Bouclez la ceinture.

### ► Fig.8

## Code d'erreur

Pour les erreurs spécifiques, l'affichage de température indique le code suivant.

Code d'erreur	Matière
F1	La protection d'inclinaison est active. Se référer à la section pour la fonction de la protection d'inclinaison.
F2	La pile est épuisée.
F3	La tension d'entrée est faible. Se référer au paragraphe pour la protection d'entrée de voiture
F4	La tension d'entrée est élevée. Se référer au paragraphe pour la protection de surtension.
F5	Le capteur d'appareil existe le problème. L'appareil est apporté au centre autorisé de Makita ou le centre de service d'usine.

## ENTRETIEN

**⚠ ATTENTION :** Toujours vous assurer que l'appareil est éteint et débranché et que la cartouche de pile est retirée avant de tenter d'effectuer une inspection ou un entretien.

**AVIS :** N'utilisez jamais de gazoline, d'essence, de diluant, d'alcool ou autre. Ces produits pourraient causer une décoloration, une déformation ou des fissures.

Pour maintenir la SÉCURITÉ et la FIABILITÉ du produit, les réparations, tout autre entretien ou ajustement doivent être effectués par des centres de service autorisés par Makita ou des centres de service d'usine, toujours avec des pièces de rechange de Makita.

### Nettoyage

- La tache d'huile dans la chambre est régulièrement nettoyée.
- Le pourtour de l'intérieur de chambre est nettoyé afin d'éviter les odeurs.
- La poussière sur le filtre est régulièrement nettoyée pour améliorer l'efficacité de réfrigération.
- La bande d'étanchéité de couvercle supérieur est facilement salie, elle doit être nettoyée à temps.

### Dégivrage

Pour le dégivrage, l'alimentation est éteinte et on attend que l'unité le givre est fondu. Ensuite, l'eau est essuyée.

### Nettoyage de filtre

1. Le couvercle coulissant est poussé dans la direction de flèche indiquée sur la figure, ensuite le couvercle de filtre est retiré.  
▶ Fig.9
2. Le filtre est retiré, pour nettoyer le filtre. Ensuite, le filtre est réinstallé dans le couvercle de filtre.
3. Le couvercle de filtre est remis en place.  
▶ Fig.10

## ACCESSOIRES FACULTATIFS

**⚠ ATTENTION :** Ces accessoires ou pièces sont recommandés pour une utilisation avec votre outil de Makita spécifié dans ce manuel. L'utilisation d'autres accessoires ou pièce peut présenter un risque de blessure. Utilisez un accessoire ou une pièce uniquement pour les raisons indiquées..

Si vous avez besoin d'aide pour plus de détails concernant ces accessoires, demandez à votre centre de service local de Makita.

- Pile et chargeur Makita d'origine

**REMARQUE :** Certains éléments de la liste peuvent être inclus dans l'ensemble d'outils comme accessoires standard. Ils peuvent varier d'un pays à l'autre.

## GARANTIE LIMITÉE DE MAKITA

Référez-vous à la garantie en annexe pour connaître les plus récentes conditions de garantie applicable à ce produit.

Si la garantie n'est pas annexée, référez-vous aux renseignements de garantie détaillés sur notre site Web national indiqué ci-dessous.

États-Unis d'Amérique : [www.makitatools.com](http://www.makitatools.com)

Canada : [www.makita.ca](http://www.makita.ca)

Ailleurs : [www.makita.com](http://www.makita.com)

# ESPECIFICACIONES

<b>Modelo:</b>		<b>DCW180/ADCW180</b>	
Capacidad		20L (5.3 gal)	
Entrada	Cartucho de batería	C.C. 18V	
	Adaptador AC	Vea la indicación en el adaptador AC (El voltaje de entrada varía dependiendo del país)	
	Adaptador para encender cigarrillos.	C.C. 12V/24V	
Clase de protector anti descarga.		III	
Tipo de clima		SN/N/ST/T	
Material de aislamiento / Material espumoso		Espuma de poliuretano / Ciclopentano(C <sub>5</sub> H <sub>10</sub> )	
Refrigerante.		R-1234yf (26g) (0.06lbs)	
Potencia operativa		Potencia de enfriamiento 90W, potencia de calentamiento 42W	
Dimensiones	Dimensiones externas	623(L)mm x 341(A)mm x 371.5(A)mm (24-1/2" x 13-3/8" x 14-5/8")	
	Dentro de la caja	323(L)mm x 240(A)mm x 261(A)mm (12-3/4" x 9-1/2" x 10-1/4")	
Peso neto		14.7kg (32.4lbs) (con BL1860 x 2)/13.3kg (29.3lbs) (sin batería)	
Nivel de protección		IPX4 (solo funciona con baterías)	
Tiempo de funcionamiento * (con BL1860B x1)	30 °C (85 °F) temperatura ambiente	-10 °C (15 °F) temperatura controlada	4.5 horas
		5 °C (40 °F) temperatura controlada	8.5 horas
	0 °C (30 °F) temperatura ambiente	60 °C (140 °F) temperatura controlada	2 horas
Cartucho de batería correspondiente		BL1815N / BL1820B / BL1830 / BL1830B / BL1840B / BL1850B / BL1860B	
Cargador correspondiente		DC18RC / DC18RD / DC18RE / DC18SD / DC18SE / DC18SF / DC18SH	
Puerto de alimentación USB		Tipo	A
		Voltaje de salida.	C.C. 5V
		Voltaje de salida	C.C. 2.4A

\* Los tiempos de operación son aproximados y podrían variar dependiendo del tipo de batería, del estatus de la carga y de las condiciones de uso.

- Debido a nuestro programa continuo de investigación y desarrollo, las especificaciones en este documento están sujetas a cambios sin previo aviso.
- Las especificaciones pueden diferir de un país a otro.
- Algunos de los cartuchos de batería y cargadores mencionados a continuación pueden no estar disponibles dependiendo de su región de residencia.

**⚠ ADVERTENCIA:** Utilice únicamente los cartuchos y cargadores de batería mencionados arriba. El uso de cualquier otro cartucho de batería o cargadores puede causar lesiones y/o incendio.

## Símbolos

A continuación se muestran los símbolos que podrían ser utilizados en el equipo. Asegúrese de entender su significado antes de su uso.



Precaución: riesgo de incendio.

## ADVERTENCIAS DE SEGURIDAD

1. Este equipo no está diseñado para ser utilizado por personas (incluidos niños) con capacidades físicas, sensoriales o mentales reducidas, o con falta de experiencia y conocimiento, a menos de que hayan sido instruidos o supervisados respecto al uso del equipo por parte de la persona responsable de su seguridad. Los niños deberán ser supervisados a fin de asegurar que no estén jugando con el equipo.
2. El equipo es adecuado para:
  - Operación en vehículos.
  - Enfriamiento y congelamiento de alimentos.
  - Usarse al acampar cuando el equipo esté energizado con una batería.
3. **ADVERTENCIA:** Mantenga las aperturas de ventilación del equipo libres de cualquier obstrucción.
4. **ADVERTENCIA:** No utilice aparatos mecánicos u otros medios para acelerar el proceso de descongelamiento aparte de los recomendados por el fabricante.
5. **ADVERTENCIA:** No utilice dispositivos eléctricos dentro de los compartimientos del equipo para almacenar alimentos, a menos de que sean del tipo de los recomendados por el fabricante.
6. No almacene sustancias explosivas tales como latas de aerosoles con algún propulsor inflamable dentro del equipo.
7. Este equipo está diseñado para ser utilizados en casa o en aplicaciones similares tales como
  - áreas de cocina para personal en tiendas, oficinas y otros ambientes laborales.
  - casas de campo y por clientes en hoteles, moteles y otros tipo de ambientes residenciales.
  - ambientes de hospedaje tipo bed and breakfast.
  - servicios de alimentos y aplicaciones similares no minoristas.
8. Si el **CABLE DE ALIMENTACIÓN** se daña debe ser reemplazado por un cable especial o por un ensamble disponible por parte del fabricante o por parte de su agente de servicio.
9. Este equipo contiene gases inflamables utilizados en la elaboración de productos aislantes dentro. Cuando deseche el equipo, siga las regulaciones locales relativas al manejo de gases inflamables utilizados en la elaboración de productos aislantes.
10. **ADVERTENCIA:** Riesgo de atrapamiento en niños. Antes de tirar su refrigerador o congelador Viejo.  
\* Retire las puertas.

11. Este equipo utiliza **REFRIGERANTES INFLAMABLES**. Lea y siga las instrucciones para su manejo. Llame a nuestro centro de servicio para mantenimiento. Cuando deseche el equipo, siga las regulaciones locales relativas al manejo de **REFRIGERANTES INFLAMABLES**.
12. Cuando posicione el aparato, asegúrese de que el cable de alimentación eléctrica no esté golpeado o dañado.
13. No coloque multicontactos portátiles u otras fuentes de alimentación portátiles en la parte trasera del equipo.
14. **ADVERTENCIA:** No dañe el circuito de refrigeración.
15. Debe mantener un perímetro libre alrededor de la instalación que sea de alrededor o superior a 15mm.

## ADVERTENCIAS IMPORTANTES

1. Lea el manual de instrucciones cuidadosamente antes de usar el equipo.
2. Verifique si el rango de voltaje utilizado es igual al que señala la placa del equipo, si el cable de alimentación es compatible con el enchufe, y asegúrese de que el enchufe esté bien fijo.
3. Incluso si el dispositivo no está en uso, no lo coloque de cabeza ni lo incline por encima de los 15°. De otro modo podría ocurrir un mal funcionamiento.
4. Cuando cargue el dispositivo, mantenga el dispositivo con la tapa hacia arriba. No cargue el dispositivo boca abajo. De otro modo podría ocurrir un mal funcionamiento.
5. No sumerja el equipo en agua o en algún otro líquido a fin de evitar una descarga eléctrica. No lo exponga a la lluvia.
6. Cuando no esté en uso o no esté limpio, remueva la batería y desconecte el enchufe de corriente eléctrica.
7. No deberán utilizarse accesorios no recomendados por el fabricante.
8. No coloque el equipo al lado de estufas de gas o eléctricas de alta temperatura a fin de evitar accidentes.
9. No oprima el botón de encendido de manera continua (al menos debe hacerse con una diferencia de 5 minutos entre cada ocasión) para evitar que se dañe el compresor.
10. No introduzca papel metálico o materiales conductivos dentro del equipo a fin de prevenir incendios y cortos circuitos.
11. No utilice químicos líquidos de limpieza o herramientas de uso rudo para limpiar el equipo.
12. Inserte el enchufe de manera completa dentro de la entrada "DC IN". Si no lo inserta de esta manera el enchufe podría deformarse o causar un incendio.
13. Limpie el socket para encender cigarrillos antes de insertar el enchufe. Si no lo inserta de esta manera el enchufe podría deformarse o causar un incendio.
14. No opere el equipo mientras conduzca. Al hacerlo podría provocar un accidente.
15. Cuando la capacidad de almacenamiento de la batería de su vehículo disminuya, use el equipo con el motor encendido. Después de utilizar el equipo, desconecte el socket para encender cigarrillos a fin de prevenir el consumo de la batería del vehículo.

16. **No abuse del uso de los adaptadores de AC y de encendedor de cigarros.**
17. **Limpie el enchufe del adaptador de AC y del adaptador del encendedor de cigarros.** Suciedad tal como agua o sal adherida al enchufe podría causar corrosión provocando mala conducción eléctrica, deformaciones o fuego.
18. **No toque el enchufe del adaptador de AC ni del adaptador del encendedor de cigarros tras haberlo utilizado.** Podrían estar extremadamente calientes y causar quemaduras en su piel.
19. **No desensamble el equipo.**
20. **No cargue la batería de su vehículo cuando utilice el equipo.** Un voltaje no adecuado podría estarse aplicando al producto, resultando en fallos o fuego.
21. **No utilice rociadores inflamables cerca del equipo.** De hacerlo podría provocar un incendio.
22. **Durante su operación, no toque los contenidos dentro del equipo, especialmente aquellos hechos de metal, si tiene las manos mojadas.** Hacerlo podría provocar congelamiento.
23. **No manipule el enchufe con la mano mojada o grasosa.** Hacerlo podría provocar una descarga eléctrica.
24. **No introduzca medicamentos ni materiales académicos dentro del equipo.** Este equipo no puede almacenar materiales que requieran un estricto control de temperatura.
25. **No utilice este equipo como un escalón o una silla.** Podría provocar caídas y heridas.
26. **No deje este equipo en lugares calientes, como dentro de un vehículo bajo el sol.** Hacerlo podría provocar un incendio.
27. **No permita que niños pequeños o mascotas jueguen con el equipo.** Mantenga el equipo lejos del alcance de los niños cuando lo almacene.
28. **No sobrecargue el equipo con comida o bebidas.** La capacidad de enfriamiento podría reducirse, provocando que alimentos y bebidas se echen a perder.
29. **Ponga atención de que el equipo no se quede sin batería mientras esté manteniendo frías o calientes alimentos y bebidas. No almacene alimentos que hayan estado abiertos por largo tiempo.** Los alimentos y bebidas podrían echarse a perder.
30. **No utilice materiales calientes o aparatos a gas cerca del equipo.** La capacidad de enfriamiento podría reducirse o una fuga de gas podría provocar un incendio.
31. **No utilice cuchillos o desarmadores para remover el hielo o la escarcha del equipo.** Hacerlo podría dañar el interior del equipo causando un mal funcionamiento o podría provocar una fuga de gas o de aceite.
32. **No utilice la salida DC (DC) del generador del motor como fuente de electricidad.** Hacerlo podría provocar fallos.
33. **No use agua, etc., en dirección al equipo.** El agua podría introducirse dentro del equipo y causar su mal funcionamiento. Si se ha acumulado agua dentro de la caja del equipo, remuévala con un trapo suave.
34. **Tenga cuidado de no machucarse los dedos cuando cierre o abra la tapa.**
35. **No coloque cosas fácilmente perecederas cuando esté operando en modo calentar.** Los alimentos y bebidas podrían echarse a perder.
36. **Cuando esté utilizando en modo calentar, no toque el interior del equipo con sus manos por largo tiempo.** Existe el riesgo de quemaduras a baja temperatura.
37. **No utilice este equipo dentro vehículos de refrigeración o cuartos de refrigeración.** La acumulación de gotitas por condensación ocurre fácilmente en vehículos y cuartos de refrigeración, facilitando la caída de gotas de agua en el equipo que podrían resultar en un mal funcionamiento del mismo.
38. **No meta animales tales como mascotas dentro del equipo.** Este equipo no puede salvar animales.
39. **No ponga agentes enfriadores en una bolsa rota.** Si algún agente enfriador se fuga hacia el equipo, es posible que las partes metálicas del mismo se corroan. Si algún agente enfriador se fugara, límpielo con un trapo húmedo de tela suave y enseguida séquelo utilizando un trapo seco de tela suave.
40. **Ajuste la correa del hombro con seguridad para que el equipo no caiga debido a su propio peso.** De otro modo el equipo podría caer y causarle heridas.
41. **Al depositar bebidas y alimentos en el equipo, ponga algo frío o caliente con anticipación.** Este equipo no puede enfriar o calentar en poco tiempo.
42. **Cuando utilice este equipo en un vehículo, asegúrese de colocarlo en un lugar estable, tales como la cajuela para el equipaje o sobre los tapetes traseros del vehículo. Una vez colocado, fijelo bien. No coloque el equipo sobre los asientos en una posición inestable.** Si el vehículo arranca o frena de manera abrupta durante la conducción, el equipo podría caer o moverse, provocando heridas.
43. **Sujete el equipo con firmeza cuando lo cargue.** De otro modo el equipo podría caer y descomponerse, o caer sobre sus pies y causarle heridas.

## Advertencias de seguridad para equipos operados con baterías.

### Uso y cuidado de equipos operados con baterías.

1. **Evite el encendido involuntario. Asegúrese de que el interruptor esté en posición de apagado antes de conectar el paquete de baterías, recoger o transportar el aparato.** Transportar el aparato con el dedo en el interruptor, o alimentar el aparato con el interruptor encendido puede causar accidentes.
2. **Desconecte la batería del aparato antes de realizar cualquier ajuste, cambiar accesorios o almacenarlo.** Estas medidas de seguridad preventivas reducen el riesgo de encender el aparato accidentalmente.
3. **Recárguelo solo con el cargador especificado por el fabricante.** Un cargador que es adecuado para determinado tipo de batería puede crear un riesgo de incendio cuando se utiliza con otra batería.
4. **Utilice aparatos solo con baterías indicadas específicamente.** El uso de cualquier otro paquete de baterías puede conllevar riesgo de lesiones e incendio.



5. Cuando la batería no esté en uso, manténgala alejada de otros objetos metálicos, como clips de papel, monedas, llaves, clavos, tornillos u otros objetos metálicos pequeños, que puedan crear una conexión de un terminal a otro. El cortocircuito de los terminales de la batería puede causar quemaduras o un incendio.
6. En condiciones de mal uso de la batería podría salir líquido; evite el contacto. Si se produce un contacto accidental, enjuáguese con agua. Si el líquido entra en contacto con los ojos, busque además ayuda médica. El líquido que sale de la batería puede causar irritación o quemaduras.
7. No utilice una batería o un aparato que esté dañado o modificado. Las baterías dañadas o modificadas pueden tener un comportamiento impredecible que puede causar incendio, explosión o riesgo de lesiones.
8. No exponga una batería o un aparato al fuego o a una temperatura excesiva. La exposición al fuego o a una temperatura por encima de 130 °C puede causar una explosión.
9. Siga todas las instrucciones de carga y no cargue la batería o el aparato cuando se exceda el rango de temperatura especificado en las instrucciones. La carga incorrecta o a temperaturas fuera del rango especificado puede dañar la batería y aumentar el riesgo de incendio.
10. El mantenimiento debe ser realizado por un técnico calificado utilizando solo piezas de repuesto idénticas. Esto garantizará que se respete la seguridad del producto.
11. No modifique ni intente reparar el aparato o la batería, excepto como se indica en las instrucciones de uso y de cuidados.
6. No almacene ni use el equipo ni el cartucho de baterías en lugares donde la temperatura pueda alcanzar o exceder los 50 °C (122 °F)
7. No incinere el cartucho de la batería aunque esté gravemente dañado o esté completamente desgastado. El cartucho de la batería puede explotar en caso de incendio.
8. No clave, corte, apriete, arroje, deje caer el cartucho de la batería o golpee contra un objeto duro. Podría dar como resultado un incendio, calor excesivo o una explosión.
9. No utilice una batería dañada.
10. Las baterías de iones de litio contenidas están sujetas a los requisitos de la legislación sobre mercancías peligrosas.  
En los transportes comerciales, por ejemplo, los llevados a cabo por terceros, deben observarse requisitos especiales en el embalaje y el etiquetado.  
Para la preparación del artículo que se transporta, se requiere consultar a un experto en materiales peligrosos. Por favor, observe también las regulaciones nacionales que, posiblemente, sean más detalladas.  
Tape o enmascare los contactos abiertos y empaque la batería de tal manera que no pueda moverse en el embalaje.
11. Cuando deseche el cartucho de la batería, remuévalo del equipo y deséchelo en un lugar seguro. Siga las normas locales relativas al desecho de la batería.
12. Utilice las baterías únicamente con los productos especificados por Makita. La instalación de las baterías en productos que incumplan las normas puede provocar incendios, calor excesivo, una explosión o una fuga de electrolitos.
13. Si el equipo no es utilizado por un largo período de tiempo, la batería deberá ser removida del equipo.
14. Durante y después del uso, el cartucho de la batería podría calentarse y causar quemaduras o quemaduras de bajas temperaturas. Preste atención a la manipulación de cartuchos de baterías calientes.
15. No toque el terminal de la herramienta inmediatamente después de usarla, porque podría estar suficientemente caliente como para quemarlo.
16. No permita astillas, polvo o tierra atascada en los terminales, los orificios y las ranuras del cartucho de la batería. Podría dar como resultado bajo rendimiento o avería de la herramienta o el cartucho de la batería.
17. A menos que la herramienta sea compatible con el uso cercano de líneas eléctricas de alto voltaje, no use el cartucho de la batería cerca de las líneas eléctricas de alto voltaje. Podría dar como resultado una falla o una avería de la herramienta o el cartucho de la batería.
18. Mantenga la batería fuera del alcance de los niños.

## Instrucciones de seguridad importantes para el cartucho de batería

1. Antes de usar el cartucho de batería, lea todas las instrucciones y marcas de precaución en (1) el cargador de la batería, (2) la batería y (3) el producto que usa la batería.
2. No desmonte el cartucho de la batería.
3. Si el tiempo de funcionamiento se ha vuelto excesivamente más corto, deje de operar el aparato de inmediato. Puede haber un riesgo de sobrecalentamiento, posibles quemaduras e incluso una explosión.
4. Si el electrolito le entra en los ojos, enjuáguelos con agua limpia y busque atención médica de inmediato. Podría producirse pérdida de la visión.
5. No provoque cortocircuitos en el cartucho de la batería:
  - (1) No toque los terminales con ningún material conductor.
  - (2) Evite almacenar el cartucho de la batería en un recipiente con otros objetos metálicos como clavos, monedas, etcétera.
  - (3) No exponga el cartucho de la batería al agua o a la lluvia.

Un cortocircuito en la batería puede causar un gran flujo de corriente, sobrecalentamiento, posibles quemaduras e incluso una avería.

# GUARDE ESTAS INSTRUCCIONES.

**⚠PRECAUCIÓN:** Use únicamente las baterías originales Makita. El uso de baterías Makita no originales, o de baterías que hayan sido alteradas, puede causar la explosión de la batería, incendios, lesiones personales y daños. También se cancelará la garantía Makita para el equipo y el cargador Makita.

## Consejos para conservar la máxima duración de la batería

1. Cargue el cartucho de la batería antes de que se descargue por completo. Detenga siempre el funcionamiento del aparato y cargue el cartucho de la batería cuando observe menos energía en el aparato.
2. Nunca recargue un cartucho de batería completamente cargado. La sobrecarga acorta la vida útil de la batería.
3. Cargue el cartucho de la batería a temperatura ambiente a 10 °C - 40 °C (50 °F - 104 °F). Si el cartucho de batería está caliente permita que se enfríe antes de cargarlo.
4. Cuando no use el cartucho de la batería, retírelo de la herramienta o el cargador.
5. Cargue el cartucho de batería si no lo utiliza durante un período prolongado (más de seis meses).

# DESCRIPCIÓN DE LAS PARTES

► Fig.1

1	Panel de control	2	Tapa de la batería	3	Gancho de la tapa superior
4	Tapa superior	5	Manija	6	Manija de transporte.
7	Destapador	8	Tapa del filtro	9	Ruedas
10	Socket de "ENTRADA DC"	11	Botón de aumento de temperatura.	12	Botón de encendido
13	Botón de encendido para enfriar / calentar	14	Indicador de temperatura	15	Indicador de la batería
16	Botón de reducción de temperatura	17	Puerto de alimentación USB	-	-

## OPERACIÓN

**⚠PRECAUCIÓN:** No coloque cosas que sean fácilmente perecederas dentro del compartimiento. Los alimentos y bebidas podrían echarse a perder.

**NOTA:** Cuando opera el dispositivo en ambientes altamente húmedos, la condensación de agua podría ocurrir en el dispositivo. Esta no es una avería del dispositivo. Use telas suaves para remover las gotas condensadas en el dispositivo.

### 1. Para conectar a la fuente de energía

#### A) Batería

**⚠PRECAUCIÓN:** Apague siempre la herramienta antes de instalar o retirar el cartucho de la batería.

**⚠PRECAUCIÓN:** Sujete firmemente la herramienta y el cartucho de batería al instalar o extraer el cartucho de batería. Si no se sujetan la herramienta y el cartucho de batería firmemente, es posible que se les escape de las manos y se dañen la herramienta y el cartucho de batería y ocurra una lesión personal.

**⚠PRECAUCIÓN:** Tengo cuidado de no machucar sus dedos al abrir o cerrar la tapa de la batería.

Para instalar el cartucho de la batería, abra la tapa de la batería.

Alinee el pestillo del cartucho de batería con la ranura de la carcasa y deslícela en su lugar. Insértela hasta que quede fija en su lugar y escuche un breve clic.

A continuación, cierre la tapa de la batería.

Para extraer el cartucho de batería, deslícelo del aparato mientras desliza el botón en la parte frontal del cartucho.

► Fig.2

► 1. Indicador rojo 2. Botón 3. Cartucho de batería

**⚠PRECAUCIÓN:** instale siempre el cartucho de batería completamente hasta que no se pueda ver el indicador rojo. Si no es así puede caerse accidentalmente de la herramienta y causar lesiones a usted o a alguien a su alrededor.

**⚠PRECAUCIÓN:** No instale el cartucho de batería por la fuerza. Si el cartucho no se desliza fácilmente, no se está insertando correctamente.

**NOTA:** se pueden instalar hasta dos cartuchos de batería, aunque el aparato utiliza un cartucho de batería para su funcionamiento.

#### B) Adaptador AC

Cuando utilice el equipo con alimentación AC, use el adaptador AC que viene con el equipo. Introduzca el enchufe al "DC IN" entrada del equipo y enseguida inserte el otro terminal a una salida.

#### C) Adaptador de encendedor de cigarrillos.

Cuando utilice el equipo con un socket para encender cigarrillos, utilice el adaptador de encender de cigarrillos que viene con el equipo. Introduzca el enchufe al "DC IN" entrada del equipo e inserte el otro terminal al socket para encender cigarrillos.

**⚠PRECAUCIÓN:** Inserte el enchufe de manera completa dentro de la entrada "DC IN". Si no lo inserta de esta manera el enchufe podría deformarse o causar un incendio.

**⚠PRECAUCIÓN:** Siempre cierre la tapa del socket "DC IN" firmemente cuando el cable de corriente no esté conectado.

**AVISO:** Cuando el equipo haya estado en funcionamiento por alrededor de 24 horas con el cartucho de la batería instalado, el cartucho de la batería podría apagar su propia corriente eléctrica como medida propia de protección. En este caso, el equipo no podrá seguir operando a través de la energía de la batería y el indicador de la batería también se apagará.

Para reiniciar el uso de alimentación eléctrica a través de la batería, saqué y vuelva a insertar nuevamente el cartucho de la batería.

**NOTA:** Cuando el equipo cambie de fuente de alimentación, el compresor se detendrá por alrededor de 3 minutos a fin de proteger al compresor.

**NOTA:** Una vez que apague el equipo, toma alrededor de 3 minutos volver a reiniciar el compresor a fin de proteger el mismo.

### 2. Encendido del equipo.

Oprima el botón de encendido para encender el equipo. Oprima el botón de encendido nuevamente para apagar el equipo.

### 3. Modo para cambiar entre enfriar / calentar

Oprima el botón de cambio entre enfriar / calentar para cambiar el modo de operación.

El indicador de temperatura ilumina el control de temperatura.

- Cuando el equipo opera en modo enfriar, el control de temperatura es -10 °C, -5 °C, 0 °C, 5 °C o 10 °C (15 °F, 25 °F, 30 °F, 40 °F o 50 °F)
- Cuando el equipo opera en modo calentar, la temperatura será de 55 °C o 60 °C (130 °F o 140 °F).

### 4. Selección del control de temperatura.

Oprima el botón de aumento de temperatura o el botón de disminución de temperatura para seleccionar el control de temperatura.

El equipo comienza a enfriarse / calentarse 5 segundos después sin haber sido operado, enseguida el control de temperatura deja de iluminarse y el indicador de temperatura muestra la temperatura actual.

El equipo deja de enfriar / calentar cuando la temperatura actual alcanza el control de temperatura especificado.

### Consejos para un enfriamiento eficiente

Abrir la tapa superior por largos períodos puede causar un aumento significativo de la temperatura en la caja.

- Lave con regularidad la superficie que entra en contacto con comida y los sistemas de drenaje accesible.
- Almacene comida y pescado crudos en contenedores apropiados en la caja del equipo, de modo que no estén en contacto o escurriéndose sobre otros alimentos.
- Si la caja es dejada sola por largos períodos:
  - Apague el equipo.
  - Descongele la caja.
  - Limpie y seque la caja.
  - Deje la tapa superior abierta para prevenir la acumulación de moho dentro de la caja.

## FUNCIÓN

### Indicación de la capacidad restante de la batería

El indicador de la batería muestra la capacidad restante de la batería.

La capacidad restante de la batería se muestra tal como aparece en la siguiente tabla.

Estatus del indicador de la batería.		Capacidad restante de la batería.
Encendido.	Apagado	
		50% a 100 %
		20% a 50%
		0% a 20%
		Cargue la batería

(Parpadeando)

### (Solo para cartuchos de batería con indicador)

Pulse el botón de verificación del cartucho de batería para indicar la capacidad restante de la batería. Las luces indicadoras se encienden durante unos segundos.

► Fig.3

► 1. Lámparas indicadoras 2. Botón de verificación

Lámparas indicadoras			Capacidad restante
Iluminado	Apagado	Parpadeando	
			75 % a 100 %
			50% a 75%
			25% a 50%
			0% a 25%
			Cargue la batería.
			Es posible que la batería no haya funcionado correctamente.

**NOTA:** Dependiendo de las condiciones de uso y la temperatura ambiente, la indicación puede diferir levemente de la capacidad real.

**NOTA:** La primera lámpara indicadora (en el extremo izquierdo) parpadeará cuando funcione el sistema de protección de la batería.

### Equipo / Sistema de protección de la batería.

Este equipo posee un sistema de protección. Este sistema corta de manera automática la fuente de alimentación eléctrica a fin de extender la vida del equipo y de la batería. El equipo se apagará de manera automática durante su operación si el mismo o la batería están bajo alguna de las siguientes condiciones:

## 1. Protección de la batería contra la falta excesiva de carga.

Cuando la capacidad de la batería sea baja, el equipo se apagará automáticamente. El indicador de la batería señalará que es necesario que la misma sea cargada. Retire las baterías del equipo y cárguelas.

## 2. Protección contra corrientes eléctricas excesivas.

Cuando el equipo / batería sea operado de modo tal que reciba una corriente eléctrica anormalmente alta, el equipo se detendrá de manera automática. Bajo esta situación, detenga la fuente de energía que provocó que el equipo se sobrecargara. Enseguida vuelva a encender el equipo.

## 3. Protección contra bajos voltajes.

Cuando el voltaje de entrada es menor al voltaje sugerido, este sistema de protección apagará el equipo y en el indicador de temperatura aparecerá un "F3" emitiendo un pitido.

## 4. Protección contra sobrecargas eléctricas.

Cuando el voltaje de entrada sea superior al voltaje sugerido, el sistema de protección apagará el equipo y en el indicador de temperatura aparecerá un "F4" emitiendo un pitido.

## 5. Protección contra cortocircuitos.

El circuito tiene una función de protección contra cortocircuitos en caso de que surja uno. Ante esta circunstancia, lleve su equipo a un Centro Autorizado Makita o a algún Centro de Servicio del Fabricante.

## Sistema de protección contra inclinaciones inapropiadas.

El equipo posee una función de protección contra inclinaciones inapropiadas. Cuando opera el equipo en modo enfriar, el equipo se apagará de manera automática en caso de ser colocado en alguno de los siguientes ángulos.

A) Cuando el equipo iguale o supere los 30° respecto al nivel angular que se muestra en la figura A, el equipo se apagará y el indicador de temperatura marcará "F1" por un rato. Toma 3 minutos en reiniciarse el equipo una vez que ha vuelto a su nivel de posicionamiento normal.

► Fig.4

B) Cuando el equipo iguale o supere los 30° respecto al nivel angular que se muestra en la figura B, el equipo se apagará y el indicador de temperatura marcará "F1" por un rato. Toma 3 minutos en reiniciarse el equipo una vez que ha vuelto a su nivel de posicionamiento normal.

► Fig.5

C) Cuando el equipo iguale o supere los 30° respecto al nivel angular que se muestra en la figura C, el equipo se apagará y el indicador de temperatura marcará "F1" por un rato. Toma 3 minutos en reiniciarse el equipo una vez que ha vuelto a su nivel de posicionamiento normal.

► Fig.6

D) Cuando el equipo iguale o supere los 30° respecto al nivel angular que se muestra en la figura D, el equipo se apagará y el indicador de temperatura marcará "F1" por un rato. Toma 3 minutos en reiniciarse el equipo una vez que ha vuelto a su nivel de posicionamiento normal.

► Fig.7

## Uso del cargador de USB.

Hay un puerto USB en la batería del compartimiento. El puerto USB carga continuamente un voltaje de 5V mientras esté operando.

## Función de memoria.

Una vez programado el control de temperatura, si el usuario no comienza a operar el equipo dentro de 5 segundos, el programa actual quedará memorizado. La próxima vez, el equipo se encenderá en el mismo programa.

## Cambiando la unidad métrica de la temperatura.

Puede cambiar la unidad métrica de la temperatura de °C (grados Celcius) a °F (grados Fahrenheit) mediante el siguiente procedimiento.

1. Encienda el equipo.
2. Oprima el botón de enfriar / calentar hasta que la unidad métrica (°C o °F) empiece a relampaguear.
3. Oprima el botón de aumento o disminución de temperatura para seleccionar la unidad métrica requerida.
4. Oprima el botón de enfriar / calentar, o deje el equipo sin operar por 5 segundos. La selección de la unidad métrica quedará completada.

## Correa para el hombro.

1. Coloque la correa a través de las manijas derecha e izquierda.
2. Abroche la correa.

► Fig.8

## Código de error.

Para errores específicos, el indicador de temperatura mostrará los siguientes códigos.

Código de error.	Problema.
F1	Protección de inclinación activado. Vea la sección acerca de la función de protección de inclinación.
F2	Quedándose sin batería.
F3	Voltaje de entrada bajo. Vea el párrafo acerca de protección de entrada de voltaje.
F4	Voltaje de entrada elevado. Vea el párrafo acerca de protección contra sobrecarga eléctrica.
F5	Cuando algo esté mal con el sensor del equipo. Lleve el equipo a un Centro Autorizado Makita o a un Centro de Servicio del Fabricante.

## MANTENIMIENTO

**⚠PRECAUCIÓN:** asegúrese siempre de que el aparato esté apagado, desconectado y de que el cartucho de la batería se haya extraído antes de intentar realizar una inspección o mantenimiento.

**AVISO:** Nunca use gasolina, benceno, diluyente, alcohol o productos similares. Pueden producirse decoloración, deformación o grietas.

Para mantener la SEGURIDAD y la CONFIABILIDAD del producto, las reparaciones y cualquier otro mantenimiento o ajuste deben ser realizados por los Centros autorizados o de Servicio de fábrica de Makita, siempre usando piezas de reemplazo de Makita.

### Limpeza

- Limpie las manchas de aceite de la caja con frecuencia.
- Limpie con regularidad alrededor del interior de la caja para prevenir olores.
- Limpie el polvo del filtro con regularidad a fin de mejorar la eficiencia de refrigeración.
- La tira selladora de la tapa superior se ensucia con facilidad, límpiela a tiempo.

### Descongelar.

Para descongelar, apague la fuente de energía y espere a que lo congelado se derrita. Remueva el agua.

### Limpeza del filtro.

1. Empuje la cubierta deslizante en dirección a la flecha tal como se muestra en la figura, y enseguida retire la tapa del filtro.

► Fig.9

2. Retire el filtro, limpie el filtro, y enseguida instale el filtro dentro de la tapa del filtro.
3. Vuelva a colocar la tapa del filtro.

► Fig.10

## ACCESORIOS OPCIONALES

**⚠PRECAUCIÓN:** estos accesorios o elementos anexos son recomendados para su uso con su herramienta Makita especificado en este manual. El uso de cualquier otro accesorio o elemento anexo podría presentar un riesgo de lesiones para las personas. Utilice únicamente los accesorios para el propósito indicado.

Si necesita ayuda para obtener más detalles con respecto a estos accesorios, pregunte a su Centro de Servicio de Makita local.

- Batería y cargador genuinos de Makita

**NOTA:** Algunos elementos de la lista pueden incluirse en el paquete de la herramienta como accesorios estándares. Pueden diferir de un país a otro.

## GARANTÍA LIMITADA DE MAKITA

Consulte la hoja de garantía adjunta para conocer los términos de garantía más actuales que aplican a este producto.

Si la hoja de garantía anexa no está disponible, consulte los detalles de la garantía detallados en el siguiente sitio web para su país respectivo.

Estados Unidos: [www.makitatools.com](http://www.makitatools.com)

Canadá: [www.makita.ca](http://www.makita.ca)

Otros países: [www.makita.com](http://www.makita.com)

**Makita Corporation**  
3-11-8, Sumiyoshi-cho,  
Anjo, Aichi 446-8502 Japan  
[www.makita.com](http://www.makita.com)