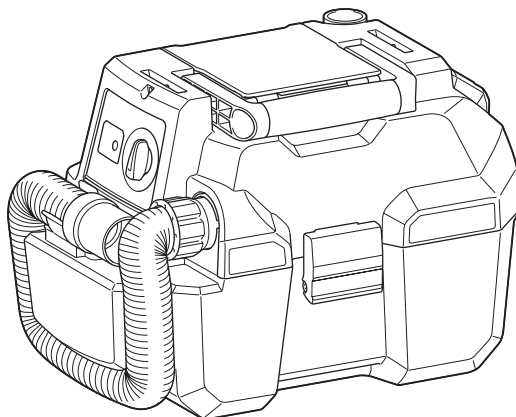


**INSTRUCTION MANUAL  
MANUAL DE INSTRUCCIONES**



# **Cordless Portable Vacuum Cleaner Aspiradora Inalámbrica Portátil**

**XCV11  
ADCV11**



**IMPORTANT:** Read Before Using.  
**IMPORTANTE:** Lea antes de usar.

## SPECIFICATIONS

Model:		XCV11	ADCV11
Maximum air volume at the end of hose	Normal (1)	1.3 m <sup>3</sup> /min (46 cu.ft/min)	
	High (2)	1.6 m <sup>3</sup> /min (57 cu.ft/min)	
Maximum air volume at turbine		2.4 m <sup>3</sup> /min (85 cu.ft/min)	
Vacuum	Normal (1)	42 hPa	
	High (2)	67 hPa	
Recoverable capacity	Dust	7.5 L (2.0 gal.)	
	Water *	4.5 L (1.2 gal.)	
Dimensions (L x W x H)		418 mm x 251 mm x 278 mm (16-1/2" x 9-7/8" x 11")	
Rated voltage		D.C. 18 V	
Net weight		4.2 - 4.6 kg (9.4 - 10.1 lbs)	

- Due to our continuing program of research and development, the specifications herein are subject to change without notice.
- Specifications may differ from country to country.
- The weight includes accessories (Hose, Wide nozzle, Sash nozzle) and battery cartridge(s). The lightest and heaviest combination weight of the appliance and battery cartridge(s) are shown in the table.
- \* The capacity of water depends on the condition of use.

### Applicable battery cartridge and charger

Battery cartridge	BL1815N / BL1820B / BL1830 / BL1830B / BL1840B / BL1850B / BL1860B
Charger	DC18RC / DC18RD / DC18RE / DC18SD / DC18SE / DC18SF / DC18SH

- Some of the battery cartridges and chargers listed above may not be available depending on your region of residence.

**⚠ WARNING:** Only use the battery cartridges and chargers listed above. Use of any other battery cartridges and chargers may cause injury and/or fire.

## SAFETY WARNINGS

### IMPORTANT SAFETY INSTRUCTIONS

When using an electrical appliance, basic precautions should always be followed, including the following:

**READ ALL INSTRUCTIONS BEFORE USING THIS APPLIANCE.**

## WARNING

To reduce the risk of fire, electric shock or injury:

1. Do not leave appliance when battery fitted. Remove battery from appliance when not in use and before servicing.
2. Do not allow to be used as a toy. Close attention is necessary when used by or near children.
3. Use only as described in this manual. Use only manufacturer's recommended attachments.
4. Do not use with damaged battery. If appliance is not working as it should, has been dropped, damaged, left outdoors, or dropped into water, return it to a service center.

5. Do not handle battery or appliance with wet hands.
  6. Do not put any object into openings. Do not use with any opening blocked; keep free of dust, lint, hair, and anything that may reduce air flow.
  7. Keep hair, loose clothing, fingers, and all parts of body away from openings and moving parts.
  8. Turn off all controls before removing the battery cartridge.
  9. Use extra care when cleaning on stairs.
  10. Do not use to pick up flammable or combustible liquids, such as gasoline, or use in areas where they may be present.
  11. Use only the charger supplied by the manufacturer to recharge.
  12. Do not pick up anything that is burning or smoking, such as cigarettes, matches, or hot ashes.
  13. Do not use without filters in place. Replace a damaged filter immediately.
  14. Do not charge the battery outdoors.
  15. Do not expose to rain. Store indoors.
  16. Do not use the cleaner as a stool or work bench. The machine may fall down and may result in personal injury.
  17. Do not vacuum the following:
    - Flammable liquid (kerosene, gasoline, solvents such as benzene, thinner, etc.)
    - Hot substances that are burning or smoking (cigarettes, matches, incense sticks, candles, hot ashes), sparks and metal dust generated by cutting or grinding metal, etc.
    - Flammable material (toner, paint, spray, etc.)
    - Foam like carpet cleaning agent, etc. (they may cause explosion or fire)
- Explosive or pyrophoric substances (nitroglycerin, aluminum, magnesium, titanium, zinc, red phosphorus, yellow phosphorus, celluloid, etc. and their dust, gas or steam)
  - Sharp objects (glass, cutlery, wood splinter, metal, stone, nail, razor, push pin, etc.)
  - Solidifying and conductive fine powder (metal or carbon powder)
  - Dehumidifier
  - Large amount of powder (flour, fire extinguisher powder, etc.)
  - Substances that cause toxic symptoms
  - Aggressive chemicals (acid, leach, etc.)
  - Liquid or damp garbage, including vomit and excreta
  - Asbestos
  - Pesticides
- Such action may cause fire, injury and/or property damage. To reduce your exposure to these chemicals, always wear approved respiratory protection such as dust masks that are specially designed to filter out microscopic particles. Direct the exhaust air away from your face and body.
- NOTE:** Read the OSHA regulation on silica dust to understand the requirements needed to reduce exposure to silica dust at the job-site. Specific rules apply to the drilling, demolition cutting and grinding materials that contain silica. All OSHA requirements regarding reducing silica dust can be found at the OSHA website: [www.osha.gov](http://www.osha.gov).

### Battery tool use and care

1. Prevent unintentional starting. Ensure the switch is in the off-position before connecting to battery pack, picking up or carrying the appliance. Carrying the appliance with your finger on the switch or energizing appliance that have the switch on invites accidents.

2. **Disconnect the battery pack from the appliance before making any adjustments, changing accessories, or storing appliance.** Such preventive safety measures reduce the risk of starting the appliance accidentally.
3. **Recharge only with the charger specified by the manufacturer.** A charger that is suitable for one type of battery pack may create a risk of fire when used with another battery pack.
4. **Use appliances only with specifically designated battery packs.** Use of any other battery packs may create a risk of injury and fire.
5. **When battery pack is not in use, keep it away from other metal objects, like paper clips, coins, keys, nails, screws or other small metal objects, that can make a connection from one terminal to another.** Shorting the battery terminals together may cause burns or a fire.
6. **Under abusive conditions, liquid may be ejected from the battery; avoid contact. If contact accidentally occurs, flush with water. If liquid contacts eyes, additionally seek medical help.** Liquid ejected from the battery may cause irritation or burns.
7. **Do not use a battery pack or appliance that is damaged or modified. Damaged or modified batteries may exhibit unpredictable behaviour resulting in fire, explosion or risk of injury.**
8. **Do not expose a battery pack or appliance to fire or excessive temperature. Exposure to fire or temperature above 130 °C may cause explosion.**
9. **Follow all charging instructions and do not charge the battery pack or appliance outside of the temperature range specified in the instructions.** Charging improperly or at temperatures outside of the specified range may damage the battery and increase the risk of fire.
10. **Have servicing performed by a qualified repair person using only identical replacement parts.** This will ensure that the safety of the product is maintained.
11. **Do not modify or attempt to repair the appliance or the battery pack except as indicated in the instructions for use and care.**

## SAVE THESE INSTRUCTIONS.

This appliance is intended for commercial use.

### Symbols

The followings show the symbols used for tool.

v	volts
≡	direct current
⚠	Take particular care and attention.

### Important safety instructions for battery cartridge

1. **Before using battery cartridge, read all instructions and cautionary markings on (1) battery charger, (2) battery, and (3) product using battery.**
2. **Do not disassemble or tamper the battery cartridge.** It may result in a fire, excessive heat, or explosion.
3. **If operating time has become excessively shorter, stop operating immediately. It may result in a risk of overheating, possible burns and even an explosion.**
4. **If electrolyte gets into your eyes, rinse them out with clear water and seek medical attention right away. It may result in loss of your eyesight.**

5. **Do not short the battery cartridge:**
  - (1) **Do not touch the terminals with any conductive material.**
  - (2) **Avoid storing battery cartridge in a container with other metal objects such as nails, coins, etc.**
  - (3) **Do not expose battery cartridge to water or rain.**

A battery short can cause a large current flow, overheating, possible burns and even a breakdown.
6. **Do not store and use the tool and battery cartridge in locations where the temperature may reach or exceed 50 °C (122 °F).**
7. **Do not incinerate the battery cartridge even if it is severely damaged or is completely worn out. The battery cartridge can explode in a fire.**
8. **Do not nail, cut, crush, throw, drop the battery cartridge, or hit against a hard object to the battery cartridge.** Such conduct may result in a fire, excessive heat, or explosion.
9. **Do not use a damaged battery.**
10. **The contained lithium-ion batteries are subject to the Dangerous Goods Legislation requirements.** For commercial transports e.g. by third parties, forwarding agents, special requirement on packaging and labeling must be observed. For preparation of the item being shipped, consulting an expert for hazardous material is required. Please also observe possibly more detailed national regulations. Tape or mask off open contacts and pack up the battery in such a manner that it cannot move around in the packaging.
11. **When disposing the battery cartridge, remove it from the tool and dispose of it in a safe place. Follow your local regulations relating to disposal of battery.**
12. **Use the batteries only with the products specified by Makita.** Installing the batteries to non-compliant products may result in a fire, excessive heat, explosion, or leak of electrolyte.
13. **If the tool is not used for a long period of time, the battery must be removed from the tool.**
14. **During and after use, the battery cartridge may take on heat which can cause burns or low temperature burns. Pay attention to the handling of hot battery cartridges.**
15. **Do not touch the terminal of the tool immediately after use as it may get hot enough to cause burns.**
16. **Do not allow chips, dust, or soil stuck into the terminals, holes, and grooves of the battery cartridge.** It may cause heating, catching fire, burst and malfunction of the tool or battery cartridge, resulting in burns or personal injury.
17. **Unless the tool supports the use near high-voltage electrical power lines, do not use the battery cartridge near a high-voltage electrical power lines.** It may result in a malfunction or breakdown of the tool or battery cartridge.
18. **Keep the battery away from children.**

## SAVE THESE INSTRUCTIONS.

**⚠ CAUTION:** Only use genuine Makita batteries. Use of non-genuine Makita batteries, or batteries that have been altered, may result in the battery bursting causing fires, personal injury and damage. It will also void the Makita warranty for the Makita tool and charger.

### Tips for maintaining maximum battery life

1. **Charge the battery cartridge before completely discharged. Always stop tool operation and charge the battery cartridge when you notice less tool power.**
2. **Never recharge a fully charged battery cartridge. Overcharging shortens the battery service life.**
3. **Charge the battery cartridge with room temperature at 10 °C - 40 °C (50 °F - 104 °F). Let a hot battery cartridge cool down before charging it.**
4. **When not using the battery cartridge, remove it from the tool or the charger.**
5. **Charge the battery cartridge if you do not use it for a long period (more than six months).**

# FUNCTIONAL DESCRIPTION

**CAUTION:** Always be sure that the tool is switched off and the battery cartridge is removed before adjusting or checking function on the tool.

## Installing or removing battery cartridge

**CAUTION:** Always switch off the tool before installing or removing of the battery cartridge.

**CAUTION:** Hold the tool and the battery cartridge firmly when installing or removing battery cartridge. Failure to hold the tool and the battery cartridge firmly may cause them to slip off your hands and result in damage to the tool and battery cartridge and a personal injury.

**CAUTION:** Be careful not to pinch your fingers when opening or closing the battery cover. Failure to do so may cause personal injury.

To install the battery cartridge, open the battery cover first and then insert the battery cartridge.

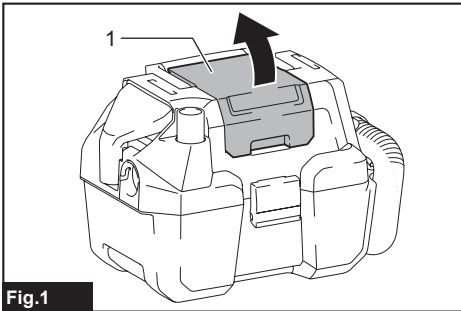


Fig.1

► 1. Battery cover

**NOTE:** The battery cover is locked when you open it up to the upright position.

Align the tongue on the battery cartridge with the groove in the housing and slip it into place. Insert it all the way until it locks in place with a little click. Then close the battery cover. To remove the battery cartridge, slide it from the tool while sliding the button on the front of the cartridge.

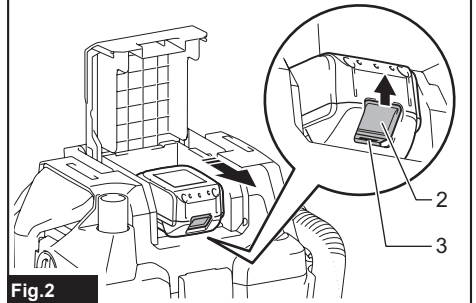
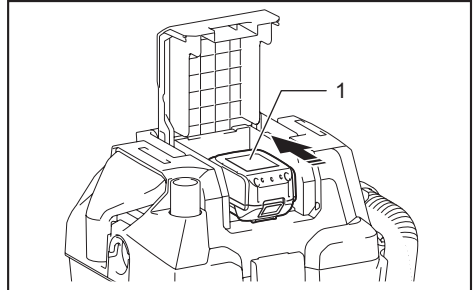


Fig.2

► 1. Battery cartridge 2. Button 3. Red indicator

**CAUTION:** Always install the battery cartridge fully until the red indicator cannot be seen. If not, it may accidentally fall out of the tool, causing injury to you or someone around you.

**CAUTION:** Do not install the battery cartridge forcibly. If the cartridge does not slide in easily, it is not being inserted correctly.

## Indicating the remaining battery capacity

*Only for battery cartridges with the indicator*

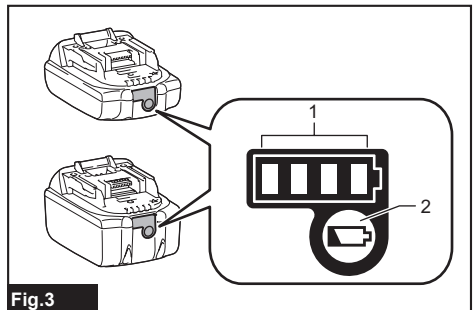


Fig.3

► 1. Indicator lamps 2. Check button

Press the check button on the battery cartridge to indicate the remaining battery capacity. The indicator lamps light up for a few seconds.

Indicator lamps			Remaining capacity
Lighted	Off	Blinking	
■	□	▧	75% to 100%
■ ■ ■ ■			50% to 75%
■ ■	□ □		25% to 50%
■	□ □ □ □		0% to 25%
▧	□ □ □ □		Charge the battery.
■ ■	□ □		The battery may have malfunctioned.
□ □	■ ■		

**NOTE:** Depending on the conditions of use and the ambient temperature, the indication may differ slightly from the actual capacity.

**NOTE:** The first (far left) indicator lamp will blink when the battery protection system works.

## Tool / battery protection system

The tool is equipped with a tool/battery protection system. This system automatically cuts off power to the motor to extend tool and battery life. The tool will automatically stop during operation if the tool or battery is placed under one of the following conditions.

### Overload protection

When the tool is operated in a manner that causes it to draw an abnormally high current, the tool automatically stops without any indication. In this situation, turn the tool off and stop the application that caused the tool to become overloaded. Then turn the tool on to restart.

### Overheat protection

When the tool is overheated, the tool stops automatically. Let the tool cool down before turning the tool on again.

### Overdischarge protection

When the battery capacity becomes low, the tool stops automatically. If the product does not operate even when the switches are operated, remove the batteries from the tool and charge the batteries.

## Indicating the remaining battery capacity

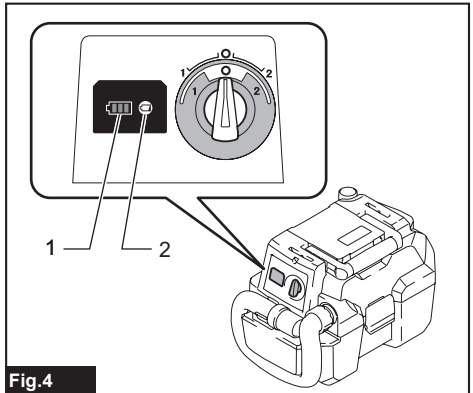


Fig.4

► 1. Battery indicator 2. Check button

Press the check button to indicate the remaining battery capacities. The remaining battery capacity is shown as the following table.

Battery indicator status		Remaining battery capacity
On	Off	
■	□	50% to 100%
■ ■ ■ ■		20% to 50%
■	□ □ □ □	0% to 20%

## Switch action

**CAUTION:** Before installing the battery cartridge into the tool, always check to see that the slide switch actuates properly and returns to the "OFF" position when the rear of the slide switch is depressed.

According to your work need, you can choose two types of the suction power; normal "1" or high "2".

To start the cleaner, set the switch lever to "1" or "2" side.

To turn off the cleaner, set the switch lever to "O" side.

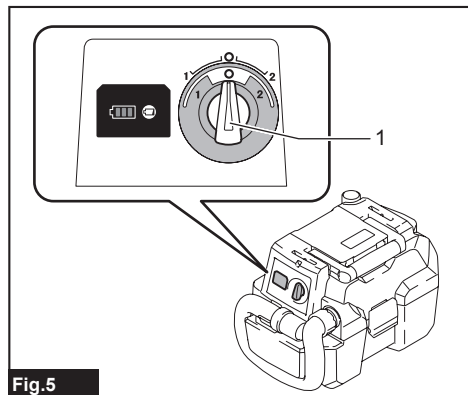


Fig.5

► 1. Switch lever

## Auto-suction stop during wet suction operation

**WARNING:** Do not use for a long time while the float is at work. Using the cleaner with its float at work for a long time can cause overheat, resulting in the cleaner deformation. In the worst case, it may lead to smoke emission or fire.

**WARNING:** Do not pick up foam or soapy liquid. Picking up foam or soapy liquid can cause foam to come out of air exit before the float works. Continuing to using in this condition may cause an electric shock and breakage of the cleaner.

The cleaner has a float mechanism that prevents water from immersing into the motor when picking up more than a certain amount of water. When the tank is full and the cleaner no longer picks up water, switch off the cleaner and empty the tank.

## Carriage handle

When carrying the cleaner, carry it by holding the handle on the head. The handle is retractable at the head when not in use.

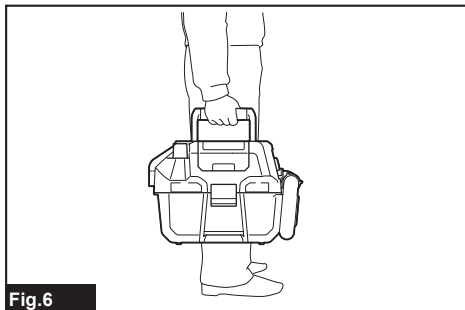


Fig.6

**NOTE:** When water is in the tank, switch off the cleaner and empty the tank before carrying. The water inside may leak.

## PARTS DESCRIPTION

*For picking up dry dust*

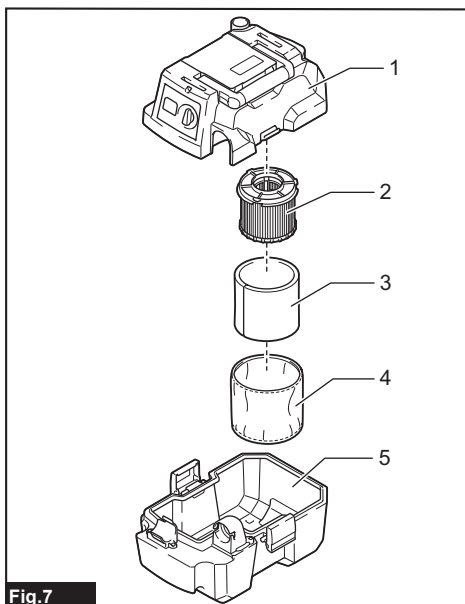


Fig.7

► 1. Tank cover 2. HEPA filter 3. Damper 4. Prefilter 5. Tank

**NOTICE:** Use the HEPA filter when picking up dry dust.

**NOTE:** Use the prefilter and damper only when picking up dry dust with HEPA filter. If you use the prefilter and damper for picking up water, the water suction capacity may be reduced.



The prefilter and dumper reduce dust clogging in the HEPA filter to keep the suction power.

### For picking up wet dust and water

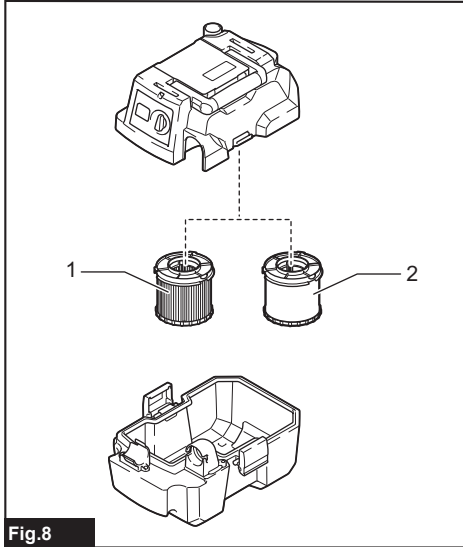


Fig.8

► 1. HEPA filter 2. Wet filter

**NOTICE:** If you continue to pick up water with the HEPA filter, the suction power may be reduced. In that case dry the HEPA filter. Use the wet filter (optional accessory) when picking up water repeatedly.

## ASSEMBLY

**CAUTION:** Always be sure that the tool is switched off and the battery cartridge is removed before carrying out any work on the tool.

**CAUTION:** Always wear dust mask during assembly or maintenance.

### Connecting the hose

**NOTICE:** Never force the hose for bending or stamp it. Never move the cleaner by a hose. Forcing, stamping and pulling the hose may cause a breakage or deformation of the hose.

**NOTICE:** Do not pick up large wastes such as planer carvings and concrete pieces. It may cause a hose stuffing and damage.

### For vacuum cleaning

Insert the hose into the suction inlet and turn it clockwise until it clicks.

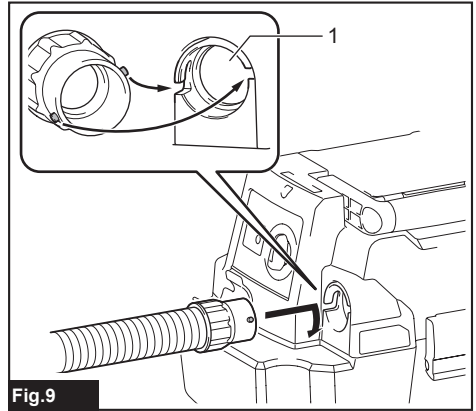


Fig.9

► 1. Suction inlet

### For blowing

Insert the hose to blower outlet and turn it clockwise until it clicks.

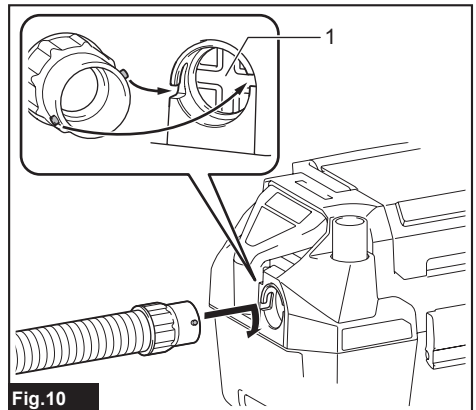


Fig.10

► 1. Blower outlet

**NOTE:** This cleaner has the suction inlet and blower outlet separately. Connect the hose to the proper port depending on your work.

## Connecting the nozzle

Attach the wide nozzle, sash nozzle, or other nozzles supplied as optional accessories depending on your purpose.  
To attach the nozzle, twist and insert it to the end of the hose.

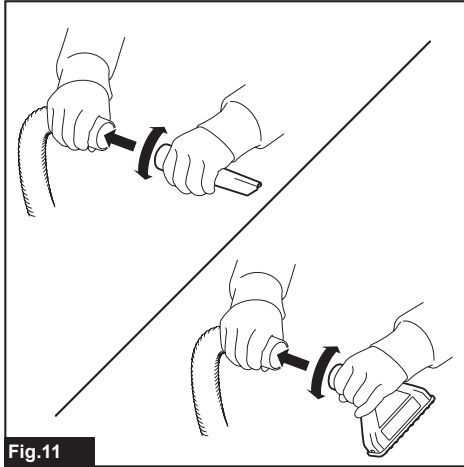


Fig.11

## Connecting the tool

### Optional accessory

To connect the tool, connect the end of the hose to the tool's extraction outlet. Depending on the tool, you may need the optional joint 22-38 or the front cuff 24.

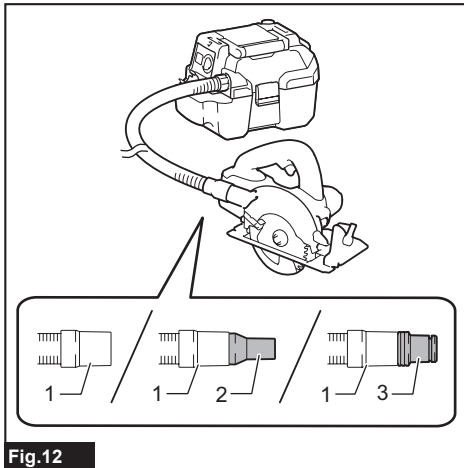


Fig.12

► 1. Hose 2. Joint 22-38 3. Front cuff 24

**NOTE:** When connecting the tool, always make sure that the hose is connected to the suction inlet on the cleaner.

## Storage of hose and nozzles

The hose and nozzles can be stored on the tool as illustrated.

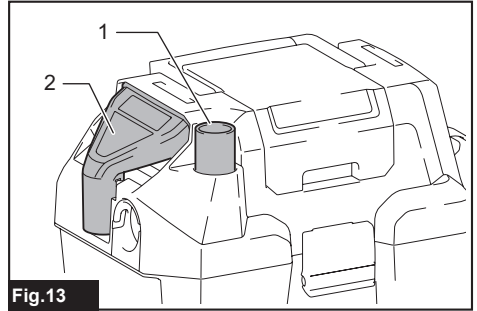


Fig.13

► 1. Sash nozzle 2. Wide nozzle

When storing the hose, loop it on the tool and fix it with the hook as illustrated.

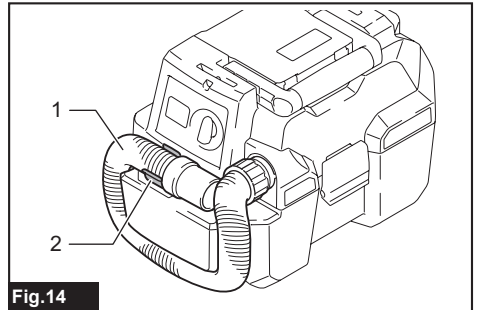


Fig.14

► 1. Hose 2. Hook

## Installing the shoulder strap

### Optional accessory

Attach the hooks of the shoulder strap onto the mounts of the cleaner as shown in the figure.

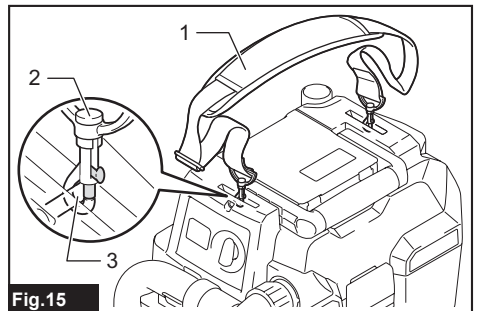


Fig.15

► 1. Shoulder strap 2. Hook 3. Mount

# OPERATION

## Using as a vacuum cleaner

**NOTICE:** Use the HEPA filter when picking up dry dust.

**NOTICE:** Be sure to dry the HEPA filter, damper, prefilter and the tank after picking up water or wet dust. If you use the filter while it is wet, the suction power may be reduced.

**NOTICE:** If you continue to pick up water with the HEPA filter, the suction power may be reduced. In that case dry the HEPA filter. Use the wet filter (optional accessory) when picking up water repeatedly.

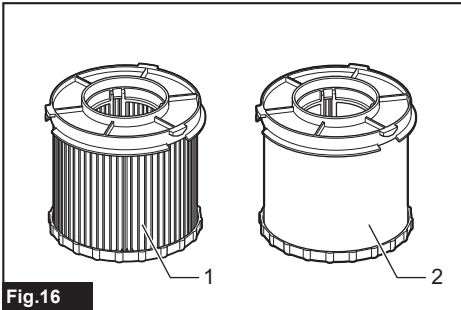


Fig.16

► 1. HEPA filter 2. Wet filter

1. Install the hose and nozzle onto the suction inlet and turn on the tool.
2. After vacuum cleaning, empty the tank before it becomes full.

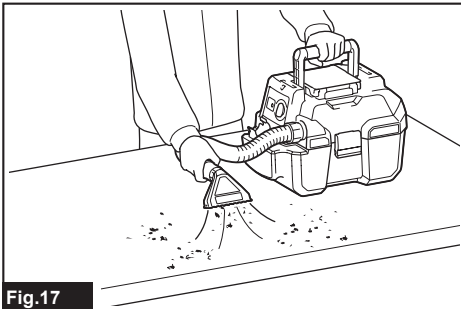


Fig.17

## Using as a blower

**CAUTION:** Do not blow out muddy water such as pool and sand area. If foreign objects are blown into eyes, it may result in personal injury.

**CAUTION:** Do not operate as a blower against the wind. If foreign objects are blown into eyes, it may result in personal injury.

**CAUTION:** Always use protective goggles, a cap and mask while operating.

**CAUTION:** Never point the nozzle at anyone in the vicinity.

**CAUTION:** The operator or user is responsible for accidents or hazards occurring to other people or their property.

**CAUTION:** Do not use the tool for blowing air into objects, like rubber rafting, balls or other inflatable products. Increased motor revolution may cause dangerous fan breakage.

1. Install the hose into the blower outlet.
2. Point the hose tip to the object to be blown off and turn on the tool.

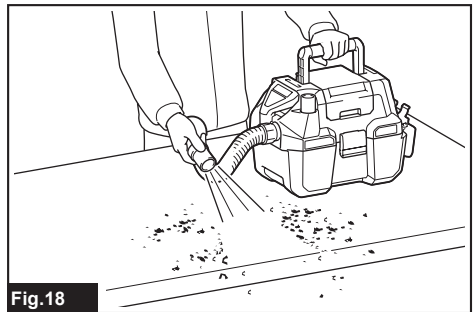


Fig.18

**NOTE:** To clean narrow space, connecting the sash nozzle to the hose makes it easy.

# MAINTENANCE

**⚠ CAUTION:** Always be sure that the tool is switched off and the battery cartridge is removed before attempting to perform inspection or maintenance.

**⚠ CAUTION:** To reduce the contact to the dust, use goggles and dust mask when emptying the tank or cleaning the filter.

**NOTICE:** Never use gasoline, benzine, thinner, alcohol or the like. Discoloration, deformation or cracks may result.

To maintain product SAFETY and RELIABILITY, repairs, any other maintenance or adjustment should be performed by Makita Authorized or Factory Service Centers, always using Makita replacement parts.

## Emptying the tank

**⚠ WARNING:** Always make sure that the cleaner is switched off and the battery cartridge is removed before emptying the tank. Failure to do so may cause an electric shock and serious personal injury.

**⚠ CAUTION:** Do not apply a great impact on the tank. A great impact may cause deformation and damage to the parts.

**⚠ CAUTION:** Empty the tank at least once a day although this depends on picked-up dust volume in the tank. Or, the suction force will weaken and the motor may be broken.

**⚠ CAUTION:** Do not grab the hook when emptying the tank. Grabbing the hook may cause the hook to break.

Unhook and lift up the tank cover. Shake off the dust from the filter and then dispose of the dust from the tank.

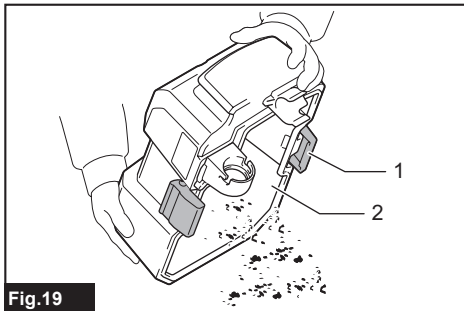


Fig.19

▶ 1. Hook 2. Tank

## Cleaning of HEPA filter/wet filter

**NOTICE:** Do not rub or scratch the HEPA filter/wet filter with hard objects such as a brush and a paddle.

Clogged HEPA filter/wet filter cause poor suction performance. Clean out the filter from time to time.

1. To remove the HEPA filter/wet filter, unlock and remove the tank cover.
2. Remove the prefilter and the damper, if they are on the HEPA filter. Then turn the HEPA filter/wet filter counterclockwise and pull out of the tank cover.

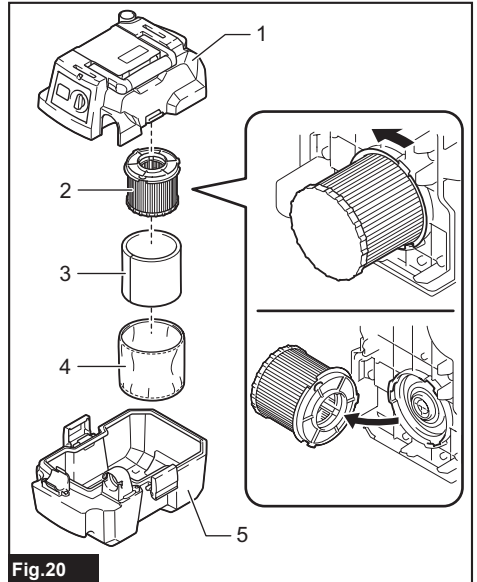


Fig.20

- ▶ 1. Tank cover 2. HEPA filter 3. Damper 4. Prefilter  
5. Tank

3. To remove dust adhering to the HEPA filter/wet filter, shake the frame bottom quickly several times. Occasionally wash the HEPA filter/wet filter in water and rinse, and if HEPA filter, dry thoroughly in the shade before use. Never wash the filter in a washing machine.

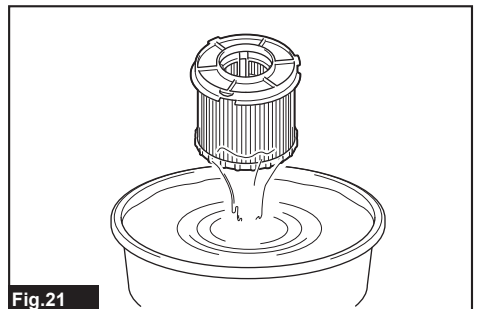


Fig.21

4. To install the HEPA filter/wet filter, place and twist it clockwise so that the securing lips are firmly locked in the tank cover.

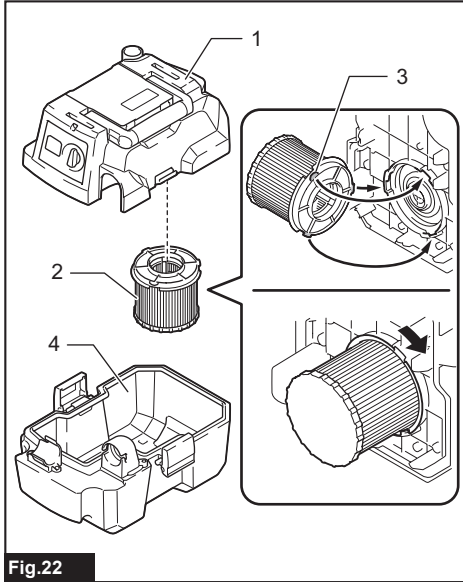


Fig.22

► 1. Tank cover 2. HEPA filter 3. Securing lip 4. Tank

5. For picking up dry dust, set the damper on the HEPA filter and cover it with the prefilter. Be sure to hook the rubber band of the prefilter onto the rip of the HEPA filter.

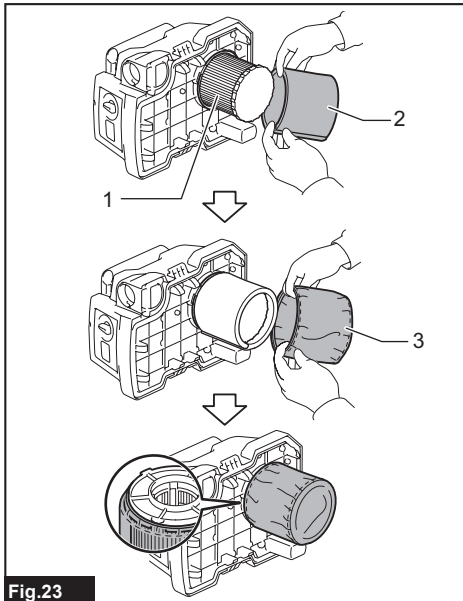


Fig.23

► 1. HEPA filter 2. Damper 3. Prefilter

6. Mount the tank cover and lock it.

**NOTE:** The filter wear out in course of time. It is recommended to have some spares for them.

## OPTIONAL ACCESSORIES

**CAUTION:** These accessories or attachments are recommended for use with your Makita tool specified in this manual. The use of any other accessories or attachments might present a risk of injury to persons. Only use accessory or attachment for its stated purpose.

If you need any assistance for more details regarding these accessories, ask your local Makita Service Center.

- Hose
- Front cuff 24
- Joint 22-38
- Corner nozzle
- Round brush
- Shoulder strap
- Wet filter
- HEPA filter
- Prefilter set
- Makita genuine battery and charger

**NOTE:** Some items in the list may be included in the tool package as standard accessories. They may differ from country to country.

## MAKITA LIMITED WARRANTY

Please refer to the annexed warranty sheet for the most current warranty terms applicable to this product. If annexed warranty sheet is not available, refer to the warranty details set forth at below website for your respective country.

United States of America: [www.makitatools.com](http://www.makitatools.com)  
 Canada: [www.makita.ca](http://www.makita.ca)  
 Other countries: [www.makita.com](http://www.makita.com)

## ESPECIFICACIONES

Modelo:		XCV11	ADCV11
Volumen de aire máximo al extremo de la manguera	Normal (1)	1,3 m <sup>3</sup> /min (46 cu.ft/min)	
	Alta (2)	1,6 m <sup>3</sup> /min (57 cu.ft/min)	
Volumen de aire máximo en la turbina		2,4 m <sup>3</sup> /min (85 cu.ft/min)	
Vacío	Normal (1)	42 hPa	
	Alta (2)	67 hPa	
Capacidad recuperable	Polvo	7,5 L (2,0 gal)	
	Agua *	4,5 L (1,2 gal)	
Dimensiones (La x An x Al)		418 mm x 251 mm x 278 mm (16-1/2" x 9-7/8" x 11")	
Tensión nominal		18 V c.c.	
Peso neto		4,2 kg - 4,6 kg (9,4 lbs - 10,1 lbs)	

- Debido a nuestro continuo programa de investigación y desarrollo, las especificaciones aquí incluidas están sujetas a cambio sin previo aviso.
- Las especificaciones pueden variar de país a país.
- El peso incluye los accesorios (manguera, boquilla ancha, boquilla para bastidores) y el o los cartuchos de batería. La combinación de menor y mayor peso del aparato y del o los cartuchos de batería se muestra en la tabla.
- \* La capacidad del agua depende de la condición de uso.

### Cartucho de batería y cargador aplicables

Cartucho de batería	BL1815N / BL1820B / BL1830 / BL1830B / BL1840B / BL1850B / BL1860B
Cargador	DC18RC / DC18RD / DC18RE / DC18SD / DC18SE / DC18SF / DC18SH

- Algunos de los cartuchos de batería y cargadores enumerados arriba podrían no estar disponibles dependiendo de su área de residencia.

**⚠ ADVERTENCIA:** Use únicamente los cartuchos de batería y los cargadores indicados arriba. El uso de cualquier otro cartucho de batería y cargador podría ocasionar una lesión y/o un incendio.

## ADVERTENCIAS DE SEGURIDAD

## INSTRUCCIONES IMPORTANTES DE SEGURIDAD

Al usar cualquier aparato eléctrico, siempre deben seguirse las precauciones básicas, incluyendo las siguientes:

## GUARDE ESTAS INSTRUCCIONES.

## ADVERTENCIA

Para reducir el riesgo de incendio, descarga eléctrica o lesión:

1. No deje el aparato con la batería puesta. Retire la batería del aparato cuando no lo vaya a utilizar y antes de dar servicio de mantenimiento.
2. No permita que sea utilizado como un juguete. Preste mucha atención cuando sea utilizado por niños o cerca de ellos.
3. Utilícelo solamente como se describe en este manual. Sólo use aditamentos recomendados por el fabricante.

4. **No lo utilice con una batería dañada.** Si el aparato no está funcionando como debiera, se ha dejado caer, se ha dañado, se ha dejado a la intemperie o ha caído sobre agua, llévelo a un centro de servicio.
  5. **No manipule la batería ni el aparato con las manos mojadas.**
  6. **No introduzca ningún objeto en las aberturas.** No lo utilice con ninguna abertura bloqueada; manténgalo libre de polvo, pelusa, cabello y cualquier objeto que pueda reducir el flujo de aire.
  7. **Mantenga el cabello, la ropa holgada, los dedos y todas las partes del cuerpo lejos de las aberturas y piezas móviles.**
  8. **Apague todos los controles antes de retirar el cartucho de batería.**
  9. **Tenga especial cuidado cuando limpie en escaleras.**
  10. **No lo utilice para recoger líquidos inflamables o combustibles, tal como gasolina, ni en áreas donde puedan estar presentes.**
  11. **Utilice solamente el cargador suministrado por el fabricante para recargar.**
  12. **No recoja nada que se esté quemando o desprenda humo, tal como cigarrillos, fósforos o cenizas calientes.**
  13. **No lo utilice sin los filtros colocados en su lugar.** Reemplace cualquier filtro dañado de inmediato.
  14. **No cargue la batería en exteriores.**
  15. **No lo exponga a la lluvia.** Almacénelo en interiores.
  16. **No utilice la aspiradora como banco o mesa de trabajo.** La máquina podría caerse y ocasionar una lesión personal.
  17. **No aspire los siguientes elementos:**
    - Líquidos inflamables (queroseno, gasolina, disolventes como bencina, diluyentes, etc.)
    - Sustancias calientes que están ardiendo o echando humo (cigarrillos, cerillas, palitos de incienso, velas, cenizas calientes), chispas y polvo metálico generados por el corte o el lijado de metales, etc.
- **Materiales inflamables (tóner, pinturas, aerosoles, etc.)**
  - **Espumas, como limpiadores de alfombras, etc. (pueden causar explosiones o incendios)**
  - **Sustancias explosivas o pirofóricas (nitroglicerina, aluminio, magnesio, titanio, zinc, fósforo rojo, fósforo amarillo, celuloide, etc., y su polvo, gases o vapores)**
  - **Objetos afilados (cristal, cubiertos, astillas de madera, metales, piedras, clavos, cuchillas, tachuelas, etc.)**
  - **Polvo fino conductor y solidificante (polvo metálico o de carbono)**
  - **Deshumidificador**
  - **Grandes cantidades de polvo (harina, polvo de extintor de incendios, etc.)**
  - **Sustancias que causan síntomas tóxicos**
  - **Productos químicos agresivos (ácidos, lixiviados, etc.)**
  - **Basura líquida o húmeda, incluyendo vómitos y heces**
  - **Asbesto**
  - **Pesticidas**
- Tal acción podría ocasionar un incendio, lesiones y/o daños materiales. Para reducir la exposición a estas sustancias químicas, utilice un equipo de protección respiratoria aprobado, tal como las máscaras contra polvo que están especialmente diseñadas para filtrar partículas microscópicas. No apunte la salida de aire a la cara y al cuerpo. **NOTA:** Lea el reglamento OSHA en lo referente a polvo de sílice a fin de entender los requisitos necesarios para reducir la exposición al polvo de sílice en el puesto de trabajo. Contiene normas específicas sobre el taladrado, la demolición, el corte y el lijado de materiales que contienen sílice. Todos los requisitos de la OSHA relacionados con la reducción de polvo de sílice se pueden encontrar en el sitio web de la OSHA: [www.osha.gov](http://www.osha.gov).

18. **Este aparato no se destina para utilizarse por personas (incluyendo niños) cuyas capacidades físicas, sensoriales o mentales sean diferentes o estén reducidas o carezcan de experiencia o de conocimiento, a menos que dichas personas reciban una supervisión o capacitación para el funcionamiento del aparato por una persona responsable de su seguridad.**
19. **Los niños deben supervisarse para asegurar que ellos no empleen los aparatos como juguete.**
6. **En condiciones de mal uso, podría escapar líquido de la batería; evite tocarlo. Si lo toca accidentalmente, enjuague con agua. Si el líquido entra en contacto con los ojos, solicite adicionalmente atención médica. El líquido expulsado de la batería puede causar irritación o quemaduras.**
7. **No utilice un paquete de baterías o aparato que esté dañado o haya sido modificado. Las baterías dañadas o modificadas podrían comportarse de manera impredecible causando un incendio, explosión o riesgo de lesión.**

## **Uso y cuidado de la herramienta a batería**

1. **Evite una puesta en marcha accidental. Asegúrese de que el interruptor esté en la posición apagada antes de conectar el paquete de baterías, levantar el aparato o cargarlo.** Cargar el aparato con su dedo en el interruptor o pasar energía al aparato con el interruptor encendido puede propiciar accidentes.
2. **Desconecte el paquete de baterías del aparato antes de hacer cualquier ajuste, cambiar accesorios o almacenar el aparato.** Estas medidas de seguridad preventivas reducen el riesgo de poner en marcha el aparato accidentalmente.
3. **Recargue sólo con el cargador especificado por el fabricante.** Un cargador que es adecuado para un solo tipo de paquete de baterías puede generar riesgo de incendio al ser utilizado con otro paquete de baterías.
4. **Use los aparatos únicamente con los paquetes de baterías designados específicamente para ellos.** El uso de otros paquetes de baterías puede generar riesgo de lesiones e incendio.
5. **Cuando no se esté usando el paquete de baterías, guárdelo lejos de otros objetos metálicos tales como sujetapapeles (clips), monedas, llaves, clavos, tornillos u otros objetos metálicos pequeños que puedan crear una conexión entre una terminal y otra.** Ocasionar un cortocircuito en las terminales de la batería puede provocar quemaduras o incendios.
8. **No exponga un paquete de baterías o aparato al fuego o a una temperatura excesiva. La exposición al fuego a una temperatura superior a 130 °C podría causar una explosión.**
9. **Siga todas las instrucciones relativas a la carga y no cargue el paquete de baterías o el aparato fuera del rango de temperatura especificado en las instrucciones.** Cargar de manera inapropiada o a temperaturas fuera del rango especificado podría dañar la batería e incrementar el riesgo de incendio.
10. **Pida que el servicio lo realice un técnico en reparaciones calificado y que utilice únicamente piezas de repuesto idénticas a las originales.** Esto garantizará que se mantenga la seguridad del producto.
11. **No modifique ni intente reparar el aparato ni el paquete de baterías salvo como se indique en las instrucciones para el uso y cuidado.**


## **GUARDE ESTAS INSTRUCCIONES.**

**Este aparato está diseñado para uso comercial.**



# Símbolos

A continuación se muestran los símbolos utilizados para la herramienta.

v	volts o voltios
— — —	corriente directa o continua
	Ponga especial atención y tenga cuidado.

## Instrucciones importantes de seguridad para el cartucho de batería

1. **Antes de utilizar el cartucho de batería, lea todas las instrucciones e indicaciones de precaución en el (1) el cargador de batería, (2) la batería, y (3) el producto con el que se utiliza la batería.**
2. **No desarme ni modifique el cartucho de batería.** Podría ocurrir un incendio, calor excesivo o una explosión.
3. **Si el tiempo de operación se ha acortado en exceso, deje de operar de inmediato.** Podría correrse el riesgo de sobrecalentamiento, posibles quemaduras e incluso explosión.
4. **En caso de que ingresen electrolitos en sus ojos, enjuáguelos bien con agua limpia y consulte de inmediato a un médico.** Esto podría ocasionar pérdida de visión.
5. **Evite cortocircuitar el cartucho de batería:**
  - (1) **No toque las terminales con ningún material conductor.**
  - (2) **Evite guardar el cartucho de batería en un cajón junto con otros objetos metálicos, tales como clavos, monedas, etc.**
  - (3) **No exponga el cartucho de batería al agua o la lluvia.**
6. **No guarde ni utilice la herramienta y el cartucho de batería en lugares donde la temperatura pueda alcanzar o exceder los 50 °C (122 °F).**
7. **Nunca incinere el cartucho de batería incluso en el caso de que esté dañado seriamente o ya no sirva en absoluto.** El cartucho de batería puede explotar si se tira al fuego.
8. **No clave, corte, aplaste, lance o deje caer el cartucho de batería, ni golpee un objeto sólido contra el cartucho de batería.** Dicha acción podría resultar en un incendio, calor excesivo o en una explosión.
9. **No use una batería dañada.**
10. **Las baterías de ión de litio están sujetas a los requisitos reglamentarios en materia de bienes peligrosos.** Para el transporte comercial, por ej., mediante terceros o agentes de transporte, se deben tomar en cuenta los requisitos especiales relativos al empaque y el etiquetado. Para efectuar los preparativos del artículo que se va a enviar, se requiere consultar a un experto en materiales peligrosos. Si es posible, consulte además otras regulaciones nacionales más detalladas. Pegue o cubra con cinta adhesiva los contactos abiertos y empaque la batería de manera que ésta no pueda moverse dentro del paquete.
11. **Para deshacerse del cartucho de batería, sáquelo de la herramienta y deséchelo en un lugar seguro.** Siga las regulaciones locales relacionadas al desecho de las baterías.
12. **Utilice las baterías únicamente con los productos especificados por Makita.** Instalar las baterías en productos que no cumplen con los requisitos podría ocasionar un incendio, un calentamiento excesivo, una explosión o una fuga de electrolito.

13. **Siga las regulaciones locales relacionadas al desecho de las baterías.**
  14. **El cartucho de batería podría absorber calor durante y después de su uso, lo que ocasionaría quemaduras o quemaduras a baja temperatura. Tenga cuidado con la manipulación de los cartuchos de batería que estén calientes.**
  15. **No toque el terminal de la herramienta inmediatamente después de su uso, ya que el mismo podría estar lo suficientemente caliente como para provocar quemaduras.**
  16. **No permita que las rebabas, el polvo o la tierra queden atrapados en los terminales, orificios y ranuras del cartucho de batería. Podría provocar calentamiento, incendio, explosión y mal funcionamiento de la herramienta o del cartucho de batería, lo que resultaría en quemaduras o lesiones personales.**
  17. **No utilice el cartucho de batería cerca de cables eléctricos de alto voltaje, a menos que la herramienta sea compatible con el uso cercano a estos cables eléctricos de alto voltaje. Esto podría ocasionar una avería o descompostura de la herramienta o del cartucho de batería.**
  18. **Mantenga la batería alejada de los niños.**
2. **No cargue nunca un cartucho de batería que esté completamente cargado. La sobrecarga acortará la vida de servicio de la batería.**
  3. **Cargue el cartucho de batería a una temperatura ambiente de 10 °C - 40 °C (50 °F - 104 °F). Si un cartucho de batería está caliente, déjelo enfriar antes de cargarlo.**
  4. **Cuando no utilice el cartucho de batería, sáquelo de la herramienta o del cargador.**
  5. **Cargue el cartucho de batería si no va a utilizarlo durante un periodo prolongado (más de seis meses).**

## DESCRIPCIÓN DEL FUNCIONAMIENTO

**⚠PRECAUCIÓN:** Asegúrese siempre de que la herramienta esté apagada y el cartucho de batería haya sido extraído antes de realizar cualquier ajuste o comprobación en la herramienta.

## Instalación o extracción del cartucho de batería

**⚠PRECAUCIÓN:** Apague siempre la herramienta antes de colocar o quitar el cartucho de batería.

**⚠PRECAUCIÓN:** Sujete la herramienta y el cartucho de la batería con firmeza al colocar o quitar el cartucho de batería. Si no se sujeta con firmeza la herramienta y el cartucho de batería, puede ocasionar que se resbalen de sus manos causando daños a la herramienta y al cartucho de batería, así como lesiones a la persona.

**⚠PRECAUCIÓN:** Tenga cuidado de no pellizcar sus dedos al abrir o cerrar la cubierta de la batería. El no hacerlo podría causar lesiones personales.

Para instalar el cartucho de batería, abra primero la cubierta de la batería y luego inserte el cartucho de batería.

## GUARDE ESTAS INSTRUCCIONES.

**⚠PRECAUCIÓN:** Utilice únicamente baterías originales de Makita. El uso de baterías no originales de Makita, o de baterías alteradas, puede ocasionar que las baterías exploten causando un incendio, lesiones personales y daños. Asimismo, esto invalidará la garantía de Makita para la herramienta y el cargador Makita.

## Consejos para alargar al máximo la vida útil de la batería

1. **Cargue el cartucho de batería antes de que se descargue completamente. Pare siempre la operación y cargue el cartucho de batería cuando note menos potencia en la herramienta.**

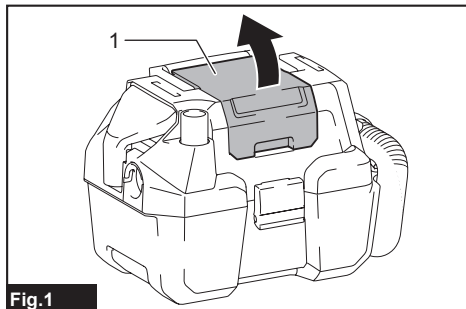


Fig.1

► 1. Cubierta de la batería

**NOTA:** La cubierta de la batería se inmoviliza cuando se abre en la posición vertical.

Alinee la lengüeta en el cartucho de batería con la ranura en la carcasa y deslícelo en su lugar. Insértelo por completo hasta que quede asegurado en su lugar haciendo un pequeño clic. Luego cierre la cubierta de la batería.

Para quitar el cartucho de batería, sáquelo de la herramienta mientras desliza el botón sobre la parte delantera del cartucho.

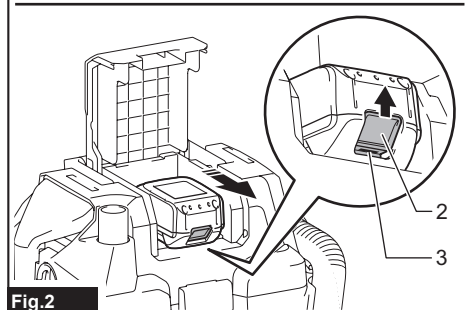
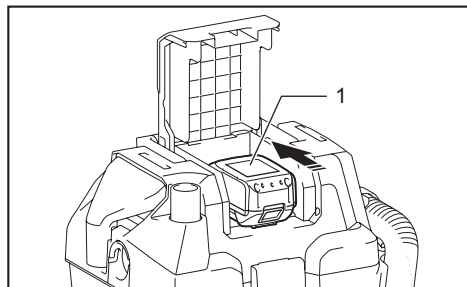


Fig.2

► 1. Cartucho de batería 2. Botón 3. Indicador rojo

**⚠ PRECAUCIÓN:** Introduzca siempre completamente el cartucho de batería hasta que el indicador rojo no pueda verse. Si no, podría accidentalmente salirse de la herramienta y caer al suelo causando una lesión a usted o alguien a su alrededor.

**⚠ PRECAUCIÓN:** No instale el cartucho de batería a la fuerza. Si el cartucho no se desliza al interior fácilmente, se debe a que no está siendo insertado correctamente.

## Indicación de la capacidad restante de la batería

Únicamente para cartuchos de batería con el indicador

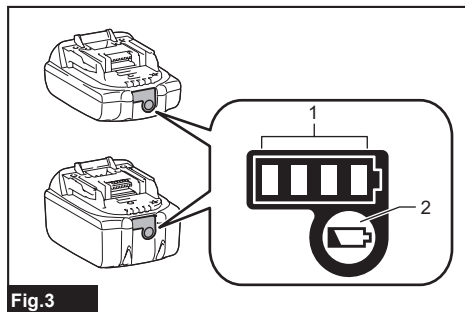


Fig.3

► 1. Luces indicadoras 2. Botón de verificación

Oprima el botón de verificación en el cartucho de la batería para que indique la capacidad restante de la batería. Las luces indicadoras se iluminarán por algunos segundos.

Luces indicadoras			Capacidad restante
Iluminadas	Apagadas	Parpadeando	
■ ■ ■ ■			75% a 100%
■ ■ ■ □			50% a 75%
■ ■ □ □			25% a 50%
■ □ □ □			0% a 25%
▣ □ □ □			Cargar la batería.
■ ■ □ □			La batería pudo haber funcionado mal.
□ □ ■ ■			

**NOTA:** Dependiendo de las condiciones de uso y la temperatura ambiente, la indicación podrá diferir ligeramente de la capacidad real.

**NOTA:** La primera luz indicadora (extrema izquierda) parpadeará cuando el sistema de protección de batería esté en funcionamiento.

## Sistema de protección para la herramienta/batería

La herramienta está equipada con un sistema de protección para la herramienta/batería. Este sistema corta en forma automática el suministro de energía al motor para prolongar la vida útil de la herramienta y la batería. La herramienta se detendrá automáticamente durante la operación si la herramienta o la batería se someten a una de las siguientes condiciones. En algunas condiciones, los indicadores pueden encenderse.

### Protección contra sobrecarga

Cuando la herramienta se está utilizando de manera que causa que consuma una cantidad de corriente inusualmente alta, la herramienta se detiene automáticamente sin que haya indicación alguna. En este caso, apague la herramienta y detenga la aplicación que causó que la herramienta se sobrecargara. Luego encienda la herramienta para reiniciarla.

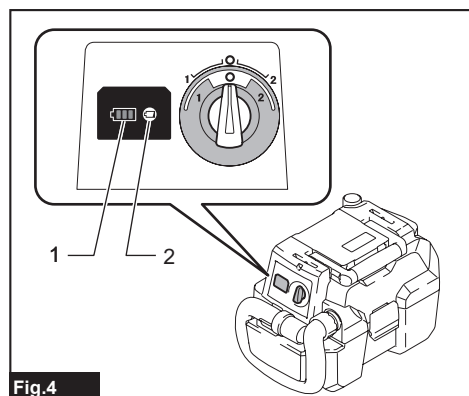
### Protección contra sobrecalentamiento

Cuando la herramienta se sobrecalienta, ésta se detiene automáticamente. Espere a que la herramienta se enfríe antes de volver a encenderla.

### Protección contra sobredescarga

Cuando la capacidad de la batería se reduce, la herramienta se detiene automáticamente. Si el producto no funciona incluso cuando los interruptores están siendo operados, retire las baterías de la herramienta y cárguelas.

## Indicación de capacidad restante de la batería



► 1. Indicador de batería 2. Botón de verificación

Oprima el botón de verificación para indicar las capacidades restantes de la batería. La capacidad restante de la batería se muestra como se indica en la tabla a continuación.

Estado del indicador de batería		Capacidad restante de la batería
Encendido	Apagado	
		50% a 100%
		20% a 50%
		0% a 20%

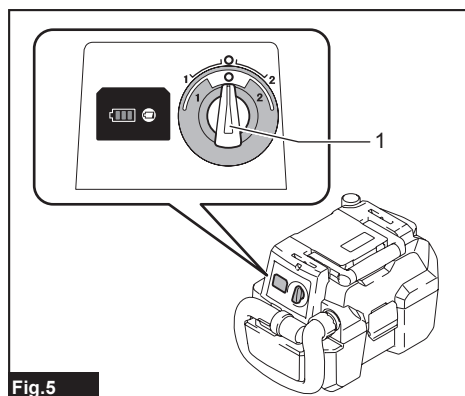
## Accionamiento del interruptor

**⚠PRECAUCIÓN:** Antes de instalar el cartucho de batería en la herramienta, compruebe siempre que el interruptor deslizable se accione debidamente y que regrese a la posición de apagado al presionar la parte trasera del interruptor deslizable.

Según la tarea de que se trate, puede elegir dos tipos de potencia de succión: normal, "1", o alta, "2".

Para arrancar la aspiradora, mueva la palanca del interruptor hacia el lado "1" o hacia el lado "2".

Para apagar la aspiradora, ajuste la palanca del interruptor en el lado "0".



► 1. Palanca del interruptor

## Parada de succión automática durante la operación para aspirar objetos húmedos

**⚠ADVERTENCIA:** No utilice el aparato durante un tiempo prolongado mientras el flotador esté funcionando. El usar la aspiradora con su flotador funcionando durante un tiempo prolongado podría causar un sobrecalentamiento y la deformación de la aspiradora. En el peor de los casos, podría causar emisiones de humo o un incendio.

**⚠ADVERTENCIA:** No aspire espuma ni jabón líquido. El aspirar espuma o jabón líquido podría causar que saliera espuma por la salida de aire antes de que el flotador comience a funcionar. Continuar usando el aparato en estas condiciones podría ocasionar una descarga eléctrica y la avería de la aspiradora.

La aspiradora cuenta con un mecanismo de flotación que evita que se introduzca agua al motor cuando se aspira más de cierta cantidad de agua. Cuando el tanque se llena, la aspiradora deja de aspirar agua; apague la aspiradora y vacíe el tanque.

## Mango de transporte

Cuando transporte la aspiradora, sosténgala del mango ubicado en la cabeza. El mango en la cabeza es retráctil para guardarse cuando no se utilice.

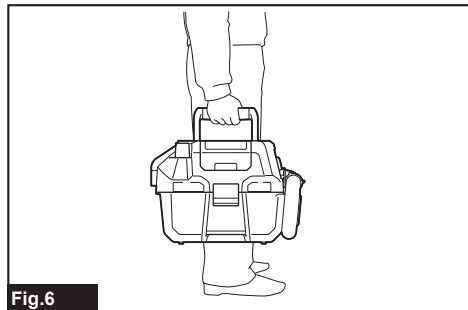


Fig.6

**NOTA:** Si hay agua en el tanque, apague la aspiradora y vacíe el tanque antes del traslado. El agua en el interior podría fugar.

## DESCRIPCIÓN DE LAS PIEZAS

### Para aspirar polvo seco

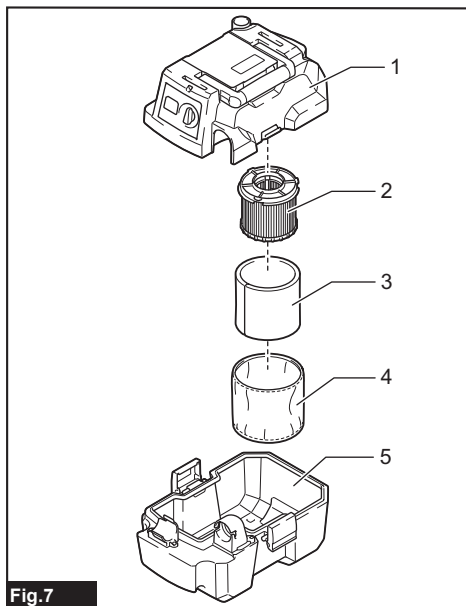


Fig.7

- 1. Cubierta del tanque 2. Filtro HEPA  
3. Amortiguador 4. Prefiltro 5. Tanque

**AVISO:** Utilice el filtro HEPA cuando aspire polvo seco.

**NOTA:** Utilice el prefiltro y el amortiguador solamente cuando aspire polvo seco con el filtro HEPA. Si utiliza el prefiltro y el amortiguador para aspirar agua, podría reducirse la capacidad de succión de agua.

El prefiltro y el amortiguador reducen la obstrucción por polvo en el filtro HEPA, para mantener la potencia de succión.

## Para aspirar polvo húmedo y agua

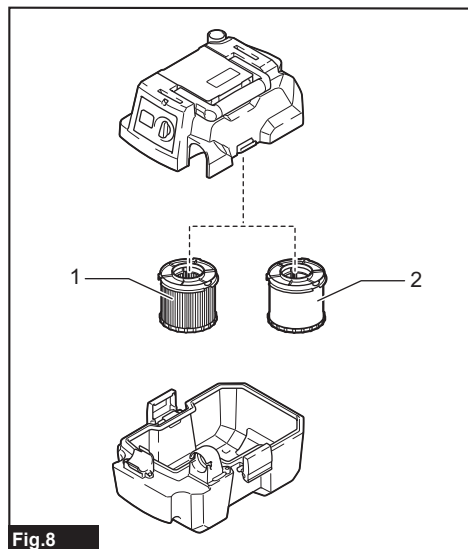


Fig.8

► 1. Filtro HEPA 2. Filtro mojado

**AVISO:** Si continúa aspirando agua con el filtro HEPA, es posible que la potencia de succión disminuya. En dicho caso, seque el filtro HEPA. Use el filtro mojado (accesorio opcional) cuando aspire agua repetidamente.

## MONTAJE

**PRECAUCIÓN:** Asegúrese siempre de que la herramienta esté apagada y el cartucho de batería haya sido extraído antes de realizar cualquier trabajo en la misma.

**PRECAUCIÓN:** Utilice siempre una máscara contra el polvo durante el ensamblado o mantenimiento.

## Conexión de la manguera

**AVISO:** Nunca fuerce la manguera para doblarla o aplastarla. Nunca mueva la aspiradora tomándola de la manguera. El forzar, aplastar y jalar la manguera podría ocasionar que ésta se averíe o se deforme.

**AVISO:** No aspire desechos grandes, tales como virutas de cepillo y piezas de concreto. Esto podría causar que la manguera se atasca y se dañara.

## Para aspirar

Inserte la manguera en la entrada de succión y gírela en el sentido de las manecillas del reloj hasta escuchar un clic.

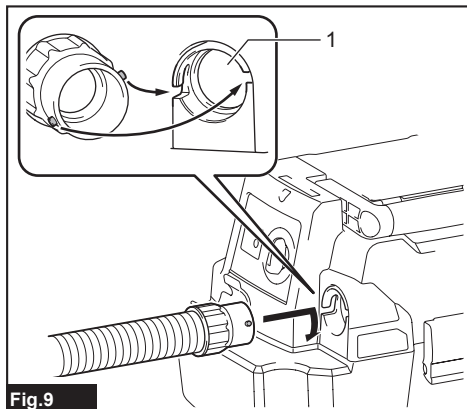


Fig.9

► 1. Entrada de succión

## Para soplar

Inserte la manguera en la salida del soplador y gírela en el sentido de las manecillas del reloj hasta escuchar un clic.

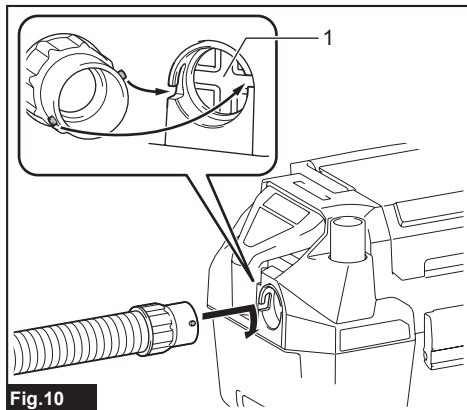


Fig.10

► 1. Salida del soplador

**NOTA:** Esta aspiradora tiene separadas la entrada de succión y la salida del soplador. Conecte la manguera al puerto más apropiado para su trabajo.

## Conexión de la boquilla

Acople la boquilla ancha, la boquilla para bastidores u otras boquillas suministradas como accesorios opcionales dependiendo de la tarea.

Para acoplar la manguera, insértela girándola en el extremo de la manguera.

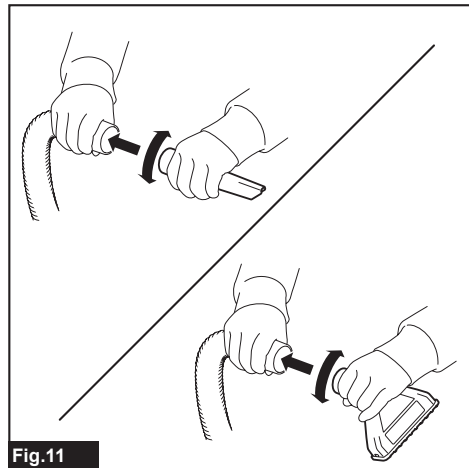


Fig.11

## Conexión de la herramienta

### Accesorio opcional

Para conectar la herramienta, conecte el extremo de la manguera con la salida de extracción de la herramienta. Dependiendo de la herramienta, es posible que necesite usar la junta de 22-38 o la boca delantera de 24 opcionales.

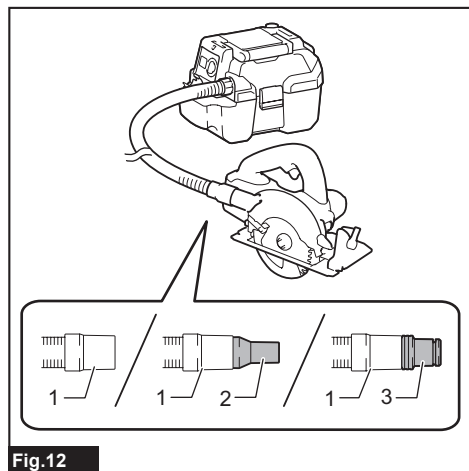


Fig.12

- 1. Manguera 2. Junta de 22-38 3. Boca delantera de 24

**NOTA:** Al conectar la herramienta, asegúrese siempre de que la manguera se conecte a la entrada de succión de la aspiradora.

## Almacenamiento de la manguera y las boquillas

La manguera y las boquillas se pueden guardar en la herramienta, tal como se ilustra en la figura.

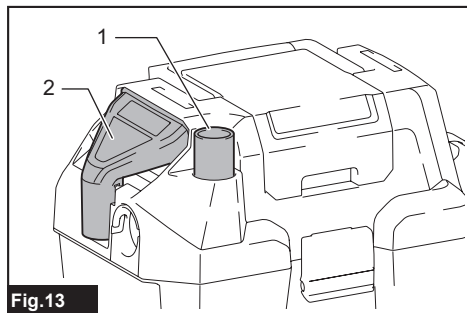


Fig.13

- 1. Boquilla para bastidores 2. Boquilla ancha

Al guardar la manguera, enróllala a la herramienta y sujétela con el gancho, tal y como se ilustra en la figura.

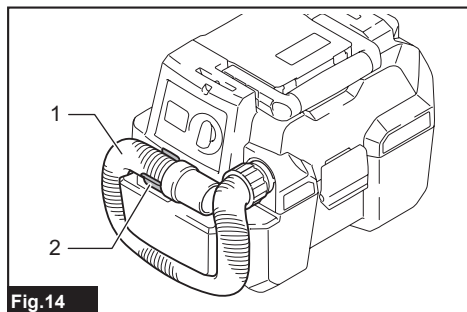


Fig.14

- 1. Manguera 2. Gancho

## Instalación de la correa para hombro

### Accesorio opcional

Coloque los ganchos de la correa para hombro en los soportes de la aspiradora tal y como se ilustra en la figura.

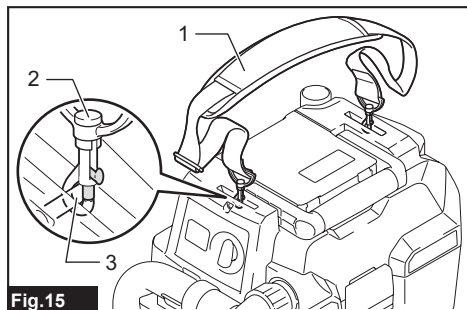


Fig.15

- 1. Correa para hombro 2. Gancho 3. Soporte

# OPERACIÓN

## Uso como aspiradora

**AVISO:** Utilice el filtro HEPA cuando aspire polvo seco.

**AVISO:** Asegúrese de secar el filtro HEPA, el amortiguador, el prefiltro y el tanque después de aspirar agua o polvo mojado. Si usa el filtro mientras este está mojado, es posible que la potencia de succión disminuya.

**AVISO:** Si continúa aspirando agua con el filtro HEPA, es posible que la potencia de succión disminuya. En dicho caso, seque el filtro HEPA. Use el filtro mojado (accesorio opcional) cuando aspire agua repetidamente.

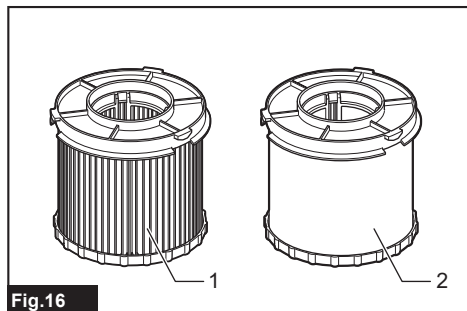


Fig.16

► 1. Filtro HEPA 2. Filtro mojado

1. Instale la manguera y la boquilla en la entrada de succión y encienda la herramienta.
2. Después de aspirar, vacíe el tanque antes de que se llene.

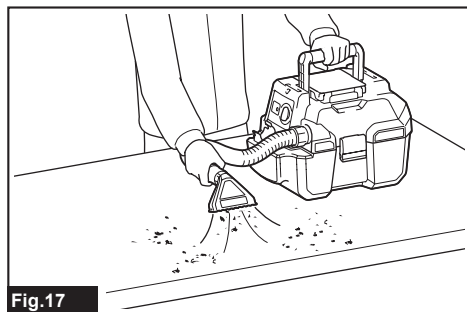


Fig.17

## Uso como soplador

**PRECAUCIÓN:** No sople agua con partículas, como por ejemplo en charcos o en zonas arenosas. Si las partículas sopladas se introducen en los ojos, podrían causar lesiones.

**PRECAUCIÓN:** No use la herramienta como soplador en dirección contraria al viento. Si las partículas sopladas se introducen en los ojos, podrían causar lesiones.

**PRECAUCIÓN:** Use siempre gafas protectoras, una gorra y una mascarilla mientras opere la herramienta.

**PRECAUCIÓN:** No apunte nunca la boquilla a nadie alrededor.

**PRECAUCIÓN:** El operador o usuario es responsable de los accidentes o peligros que afecten a otras personas o a su propiedad.

**PRECAUCIÓN:** No utilice la herramienta para inflar objetos, tales como balsas neumáticas, pelotas y otros objetos hinchables. Un aumento en las revoluciones del motor podría ocasionar una peligrosa rotura del ventilador.

1. Instale la manguera en la salida del soplador.
2. Dirija la punta de la manguera hacia el objeto que desea soplar y encienda la herramienta.

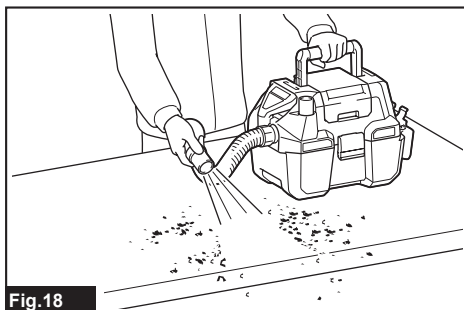


Fig.18

**NOTA:** Al limpiar un espacio estrecho, la tarea se hace más fácil conectando la boquilla para bastidores a la manguera.



## MANTENIMIENTO

**⚠PRECAUCIÓN:** Asegúrese siempre de que la herramienta esté apagada y el cartucho de batería extraído antes de intentar realizar una inspección o mantenimiento.

**⚠PRECAUCIÓN:** Para reducir el contacto con el polvo, utilice gafas protectoras y mascarillas antipolvo al vaciar el tanque o al limpiar el filtro.

**AVISO:** Nunca use gasolina, bencina, diluyente (tíner), alcohol o sustancias similares. Puede que esto ocasione grietas o descoloramiento.

Para mantener la SEGURIDAD y FIABILIDAD del producto, las reparaciones, y cualquier otra tarea de mantenimiento o ajuste deberán ser realizadas en centros de servicio autorizados o de fábrica Makita, empleando siempre repuestos Makita.

### Vaciado del tanque

**⚠ADVERTENCIA:** Asegúrese siempre de que la aspiradora esté apagada y de que el cartucho de batería haya sido extraído antes de vaciar el tanque. El no hacerlo podría ocasionar una descarga eléctrica y lesiones personales graves.

**⚠PRECAUCIÓN:** Evite los impactos fuertes sobre el tanque. Un impacto fuerte podría deformar y dañar las piezas.

**⚠PRECAUCIÓN:** Vacíe el tanque por lo menos una vez al día, aunque esto dependerá del volumen de polvo aspirado en el tanque. De lo contrario, la fuerza de succión se vería reducida y el motor podría averiarse.

**⚠PRECAUCIÓN:** Evite agarrar el gancho mientras vacía el tanque. El agarrar el gancho podría ocasionar que éste se rompa.

Desenganche y levante la cubierta del tanque. Sacuda el polvo del filtro y luego deseche el polvo del tanque.

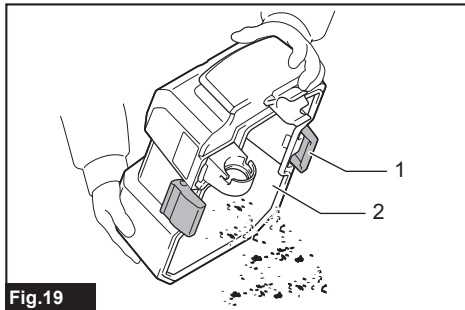


Fig.19

► 1. Gancho 2. Tanque

### Limpeza del filtro HEPA/filtro mojado

**AVISO:** No frote ni raye el filtro HEPA/filtro mojado con objetos duros tales como un cepillo o una pala.

La obstrucción del filtro HEPA/filtro mojado causa un desempeño deficiente de la succión. Limpie el filtro de vez en cuando.

1. Para extraer el filtro HEPA/filtro mojado, desbloquee y retire la cubierta del tanque.
2. Retire el prefiltro y el amortiguador si están en el filtro HEPA. Luego gire el filtro HEPA/filtro mojado en sentido inverso al de las manecillas del reloj y retírelo de la cubierta del tanque.

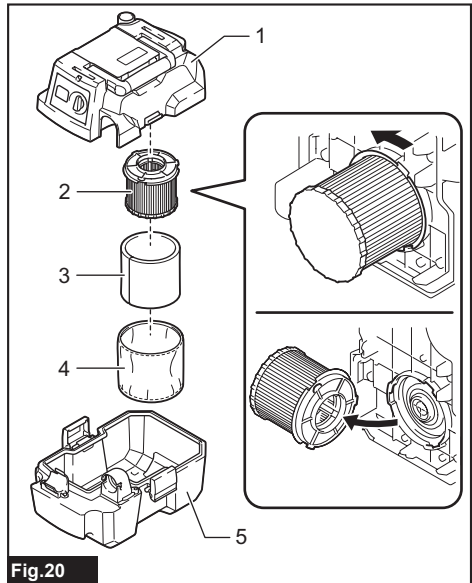


Fig.20

► 1. Cubierta del tanque 2. Filtro HEPA  
3. Amortiguador 4. Prefiltro 5. Tanque

3. Para eliminar el polvo adherido al filtro HEPA/filtro mojado, sacuda con rapidez varias veces la parte inferior del marco.

De vez en cuando, lave el filtro HEPA/filtro mojado en agua y enjuáguelo, y si es un filtro HEPA, séquelo bien a la sombra antes de usarlo. Nunca lave el filtro en la lavadora.

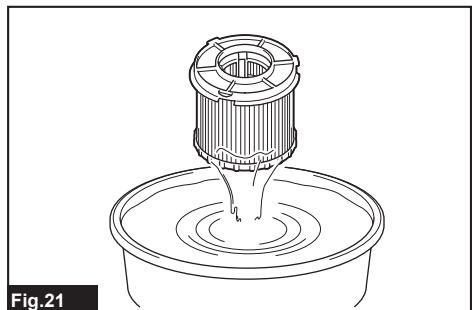


Fig.21

4. Para instalar el filtro HEPA/filtro mojado, colóquelo girándolo en la dirección de las manecillas del reloj de tal manera que los rebordes de fijación queden firmemente asegurados en la cubierta del tanque.

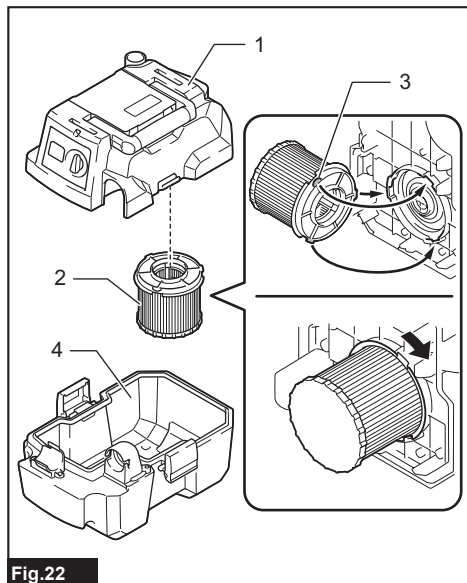


Fig.22

► 1. Cubierta del tanque 2. Filtro HEPA 3. Rebord de fijación 4. Tanque

5. Para aspirar polvo seco, coloque el amortiguador en el filtro HEPA y cúbralo con el prefiltro. Asegúrese de enganchar la banda de goma del prefiltro en la abertura del filtro HEPA.

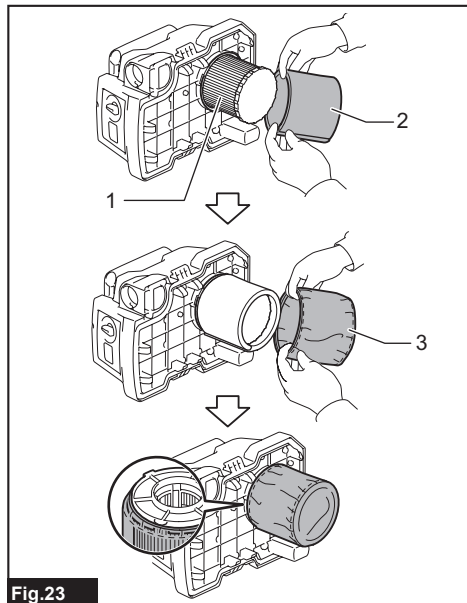


Fig.23

► 1. Filtro HEPA 2. Amortiguador 3. Prefiltro

6. Instale la cubierta del tanque y asegúrela.

**NOTA:** Los filtros se desgastan con el tiempo. Se recomienda contar con piezas de repuesto.

## ACCESORIOS OPCIONALES

**⚠PRECAUCIÓN:** Estos accesorios o aditamentos están recomendados para utilizarse con su herramienta Makita especificada en este manual. El empleo de cualquier otro accesorio o aditamento puede conllevar el riesgo de lesiones personales. Utilice los accesorios o aditamentos solamente para su fin establecido.

Si necesita cualquier ayuda para más detalles en relación con estos accesorios, pregunte a su centro de servicio local Makita.

- Manguera
- Boca delantera de 24
- Junta de 22-38
- Boquilla para esquinas
- Cepillo redondo
- Correa para hombro
- Filtro mojado
- Filtro HEPA
- Juego de prefiltro
- Batería y cargador originales de Makita

**NOTA:** Algunos de los artículos en la lista pueden incluirse en el paquete de la herramienta como accesorios estándar. Éstos pueden variar de país a país.

## GARANTÍA LIMITADA DE MAKITA

### Ésta Garantía no aplica para México

Consulte la hoja de la garantía anexa para ver los términos más vigentes de la garantía aplicable a este producto. En caso de no disponer de esta hoja de garantía anexa, consulte los detalles sobre la garantía descritos en el sitio web de su país respectivo indicado a continuación.

Estados Unidos de América: [www.makitatools.com](http://www.makitatools.com)

Canadá: [www.makita.ca](http://www.makita.ca)

Otros países: [www.makita.com](http://www.makita.com)



< USA only >

# WARNING

Some dust created by power sanding, sawing, grinding, drilling, and other construction activities contains chemicals known to the State of California to cause cancer, birth defects or other reproductive harm. Some examples of these chemicals are:

- lead from lead-based paints,
- crystalline silica from bricks and cement and other masonry products, and
- arsenic and chromium from chemically-treated lumber.

Your risk from these exposures varies, depending on how often you do this type of work. To reduce your exposure to these chemicals: work in a well ventilated area, and work with approved safety equipment, such as those dust masks that are specially designed to filter out microscopic particles.

< Sólo en los Estados Unidos >

# ADVERTENCIA

Algunos polvos creados por el lijado, aserrado, esmerilado, taladrado y otras actividades de la construcción contienen sustancias químicas reconocidas por el Estado de California como causantes de cáncer, defectos de nacimiento y otros peligros de reproducción. Algunos ejemplos de estos productos químicos son:

- plomo de pinturas a base de plomo,
- sílice cristalino de ladrillos y cemento y otros productos de albañilería, y
- arsénico y cromo de maderas tratadas químicamente.

El riesgo al que se expone varía, dependiendo de la frecuencia con la que realice este tipo de trabajo. Para reducir la exposición a estos productos químicos: trabaje en un área bien ventilada y póngase el equipo de seguridad indicado, tal como las máscaras contra polvo que están especialmente diseñadas para filtrar partículas microscópicas.

**Makita Corporation**

3-11-8, Sumiyoshi-cho,  
Anjo, Aichi 446-8502 Japan

[www.makita.com](http://www.makita.com)

885666A891  
ADCV11-1  
EN, ESMX  
20220621