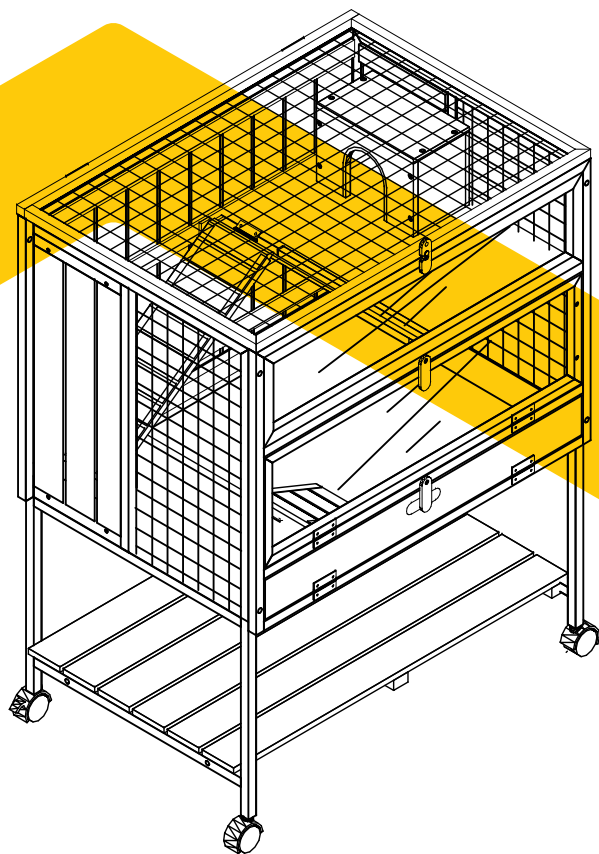


INSTRUCTION MANUAL

AIR 25



The logo for aivituvin, featuring the brand name in a bold, lowercase sans-serif font with a small yellow house icon above the 'i'.

www.aivituvin.com



NOTICE

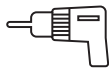
Please retain these instructions for future reference.

- Firmly secure all bolts,screws and knobs before use.
- Reconfirm that all bolts,screws,and knobs are secure every 90 days.
- Fasten screws loosely during initial assembly. Do not fully tighten screws until the item is completely assembled.
- Do not use or store this item in the proximity of open flame or flammable/combustible chemicals.
- Be aware that some parts are heavy and have sharp edges.
- Be aware that moving parts can injure,crush and cut.
- If any parts are missing,broken,damaged,or worn,stop using this product until repairs are made and/or factory replacement parts are installed.
- Do not use this item in a way inconsistent with the manufacturer' s instructions as this could void the product warranty.

TOOLS REQUIRED //



PHILLIPS
SCREWDRIVER



DRILL
(RECOMMENDED)



2PERSON
ASSEMBLY



APPROXIMATELY
45MIN. ASSEMBLY

HARDWARE //

M6.0x45mm BOLT
4PCS



P1

M6.0x30mm BOLT
8PCS



P2

M3.0x28mm SCREW
12PCS+1 spare



P3

M3.0x20mm SCREW
1PCS+1spare



P4

M3.0x14mm SCREW
4PCS+1 spare



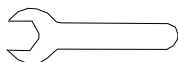
P5

M3.0x10mm SCREW
4PCS+1spare



P6

Spanner
1PC



P7

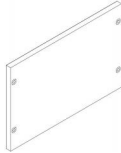
PARTS

Front Panel of Small House
1PC



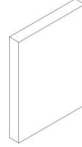
A

Back Panel of Small House
1PC



B

Side Panel of Small House
2PCS



C

Top of Small House
1PC



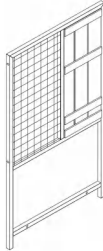
D

Back Panel
1PC



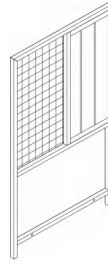
E

Left Panel
1PC



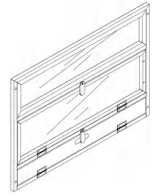
F

Right Panel
1PC



G

Front Panel
1PC



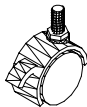
H

Caster
2PCS



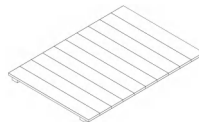
I

Caster with brake
2PCS



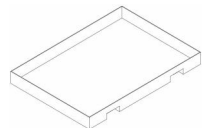
J

Bottom Layer
1PC



K

Tray
1PC



L

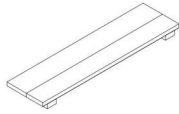
PARTS

Shelf
1PC



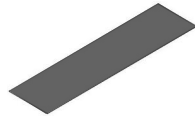
M

Middle Layer
1PC



N

PVC Layer
1PC



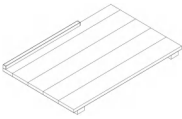
O

Ramp
1PC



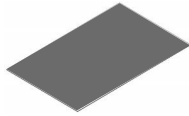
P

Upper Layer
1PC



Q

PVC Layer
1PC



R

Ramp
1PC



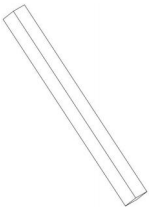
S

Roof
1PC



T

Support
1PC

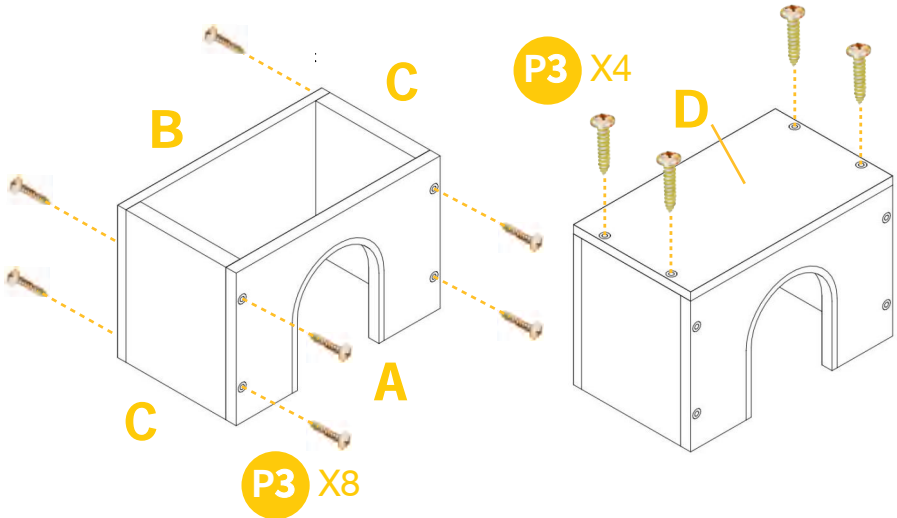


U

PRODUCT ASSEMBLY //

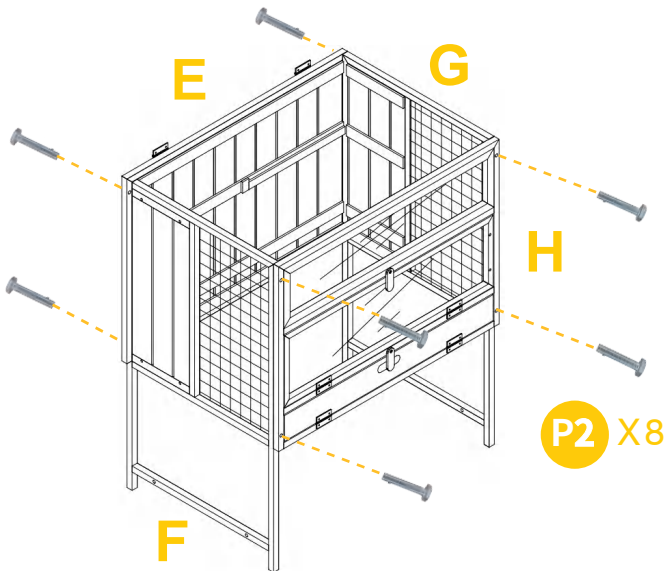
01

Attach the small house, attach the Part A,B,C&D by 12XP3 screws.



02

Attach the Part E,F,G,H by 8XP2 screws.

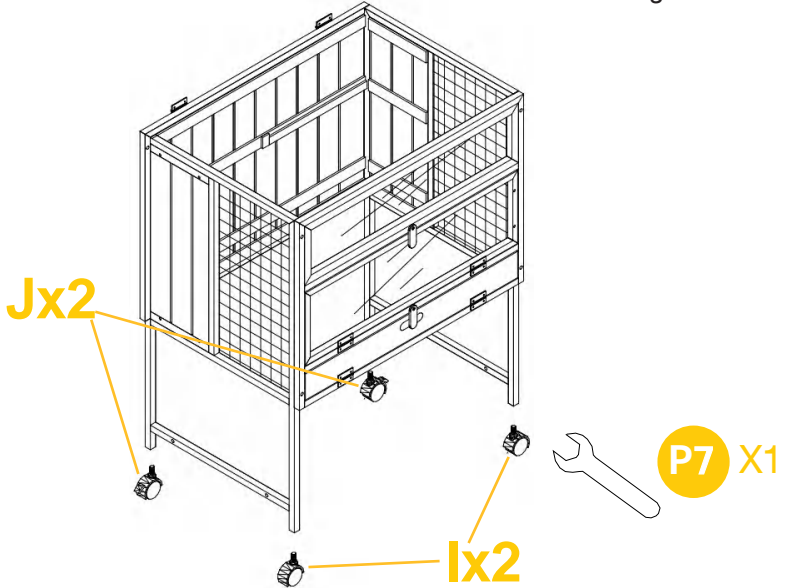


05

PRODUCT ASSEMBLY //

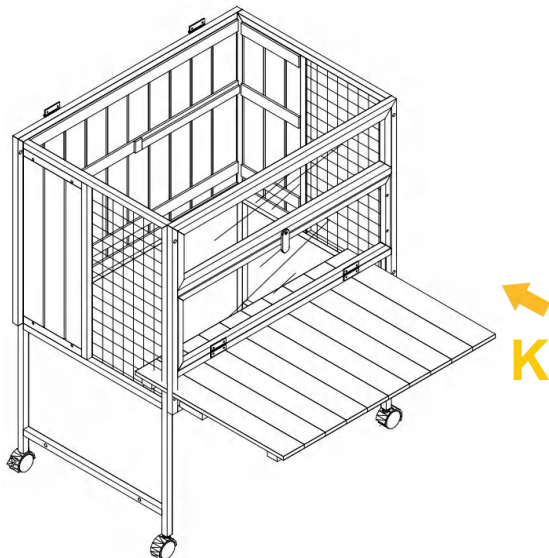
03

Screw the caster 2x Part I on the front legs.
Screw the caster with brake 2x Part J on the back legs.



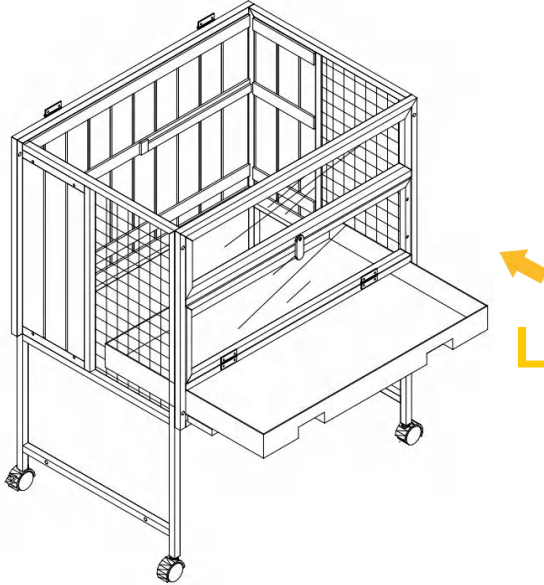
04

Put in the bottom layer Part K.

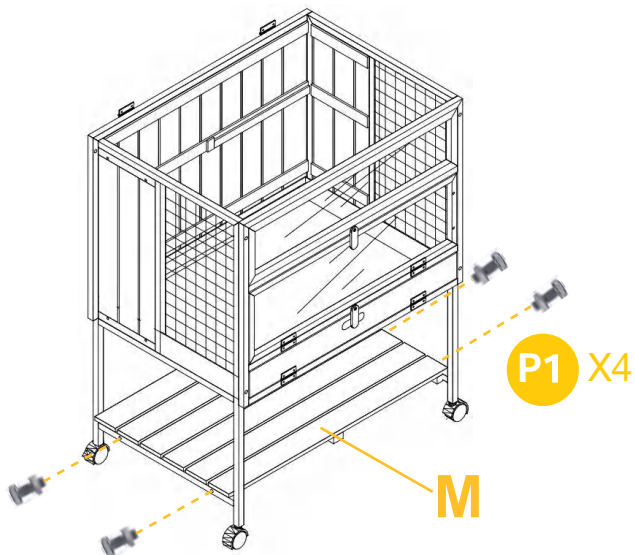


PRODUCT ASSEMBLY //

05 Put in the tray Part L above the bottom layer.



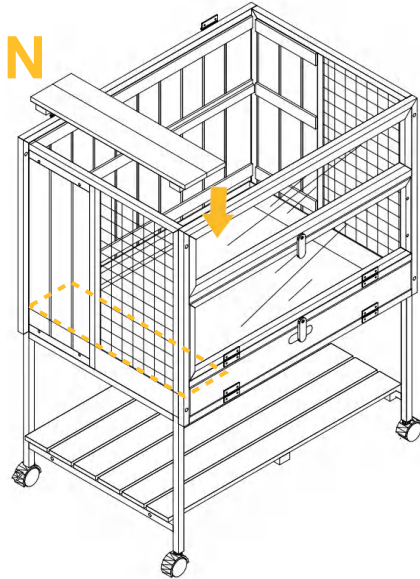
06 Attach the Shelf Part M by 4XP1 screws.



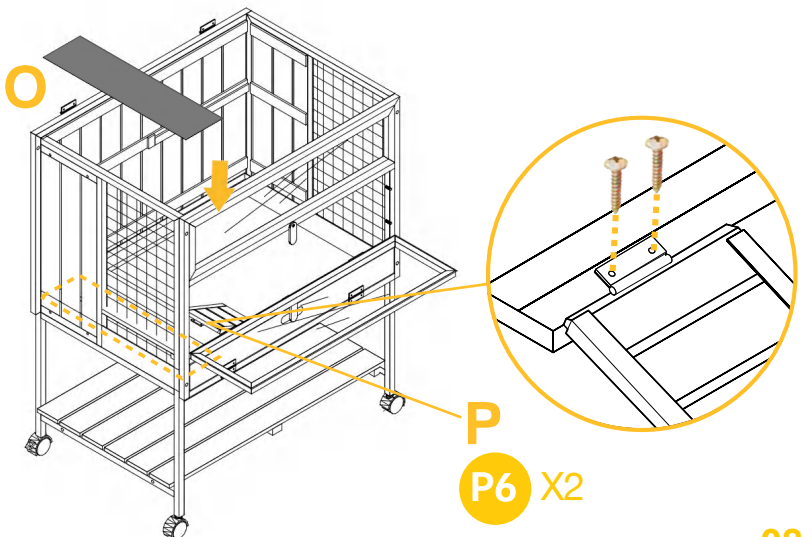
07

PRODUCT ASSEMBLY

07 Put in the middle layer Part N.

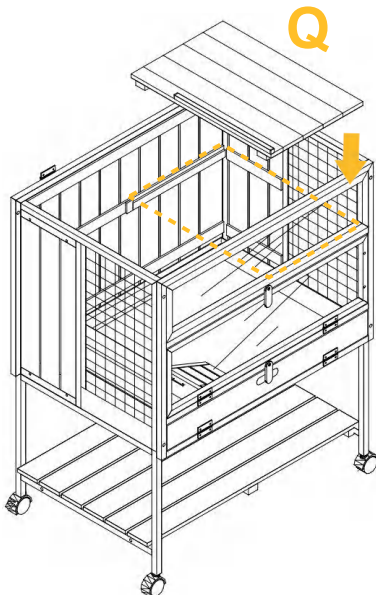


08 Attach the ramp Part P to middle layer by 2XP6 screws. Put in the pvc layer Part O above the middle layer.

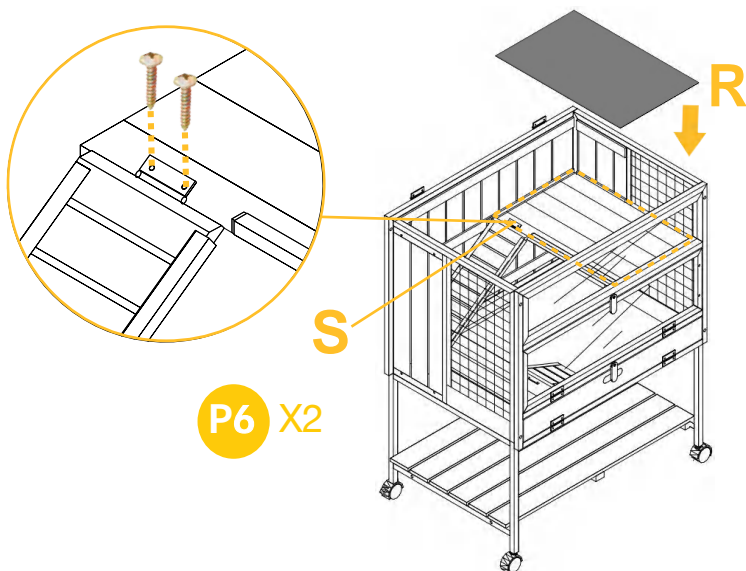


PRODUCT ASSEMBLY //

09 Put in the upper layer Part Q.



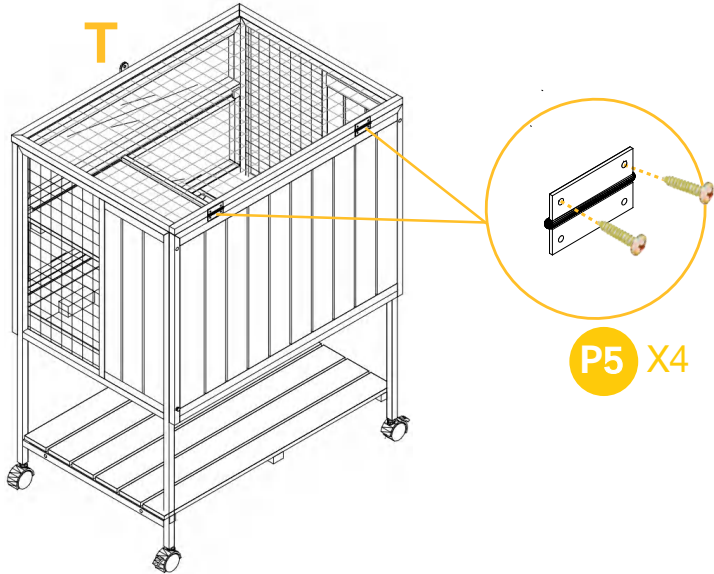
10 Attach the ramp part S to the upper layer by 2XP6 screws. Put in the pvc layer Part R above the upper layer.



PRODUCT ASSEMBLY //

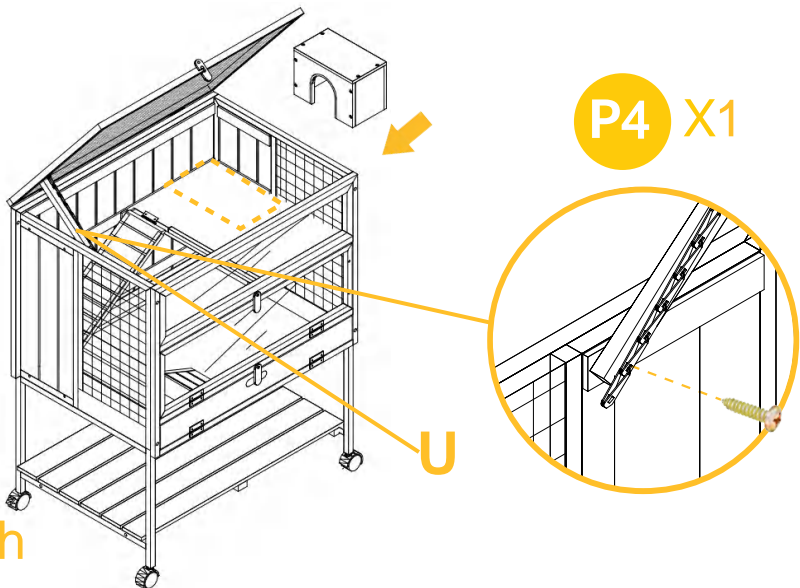
11

Screw the roof Part T by 4XP5 screws.



12

Put in the small house inside the hutch anywhere you want. Screw the support part U to the left panel by 1XP4 screw.



Finish



WARNING

Manufacturer and seller expressly disclaim any and all liability for personal injury, property damage or loss, whether direct, indirect, or incidental, resulting from the incorrect attachment, improper use, inadequate maintenance, or neglect of this product.