


Ø 11.06"
MAX BOTTOM
DIAMETER OF BUCKET
(BOLTS FULLY LOOSENED)

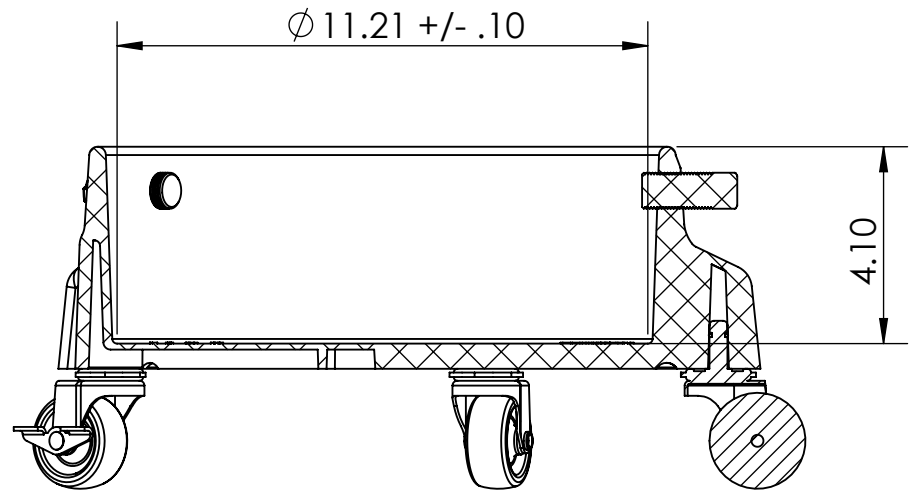
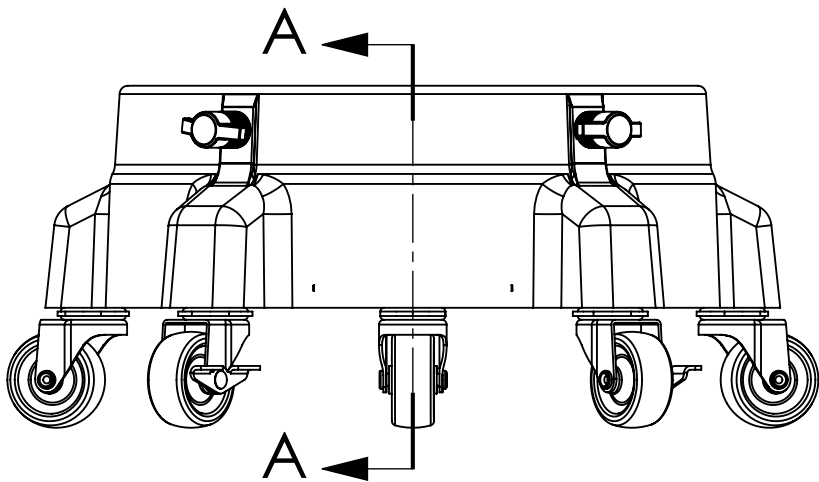
Ø 9.58"
MIN BOTTOM
DIAMETER OF BUCKET
(BOLTS FULLY TIGHTENED)

PROVIDES 1.75 GALLONS (8L)
OF SPILL CONTAINMENT

Grit Guard®
Bucket Dolly
www.GritGuard.com
1-800-555-5555

PROPRIETARY AND CONFIDENTIAL
THE INFORMATION CONTAINED IN THIS
DRAWING IS THE SOLE PROPERTY OF
FYDA ENERGY SOLUTIONS, INC. ANY
REPRODUCTION IN PART OR AS A WHOLE
WITHOUT THE WRITTEN PERMISSION OF
FYDA ENERGY SOLUTIONS, INC. IS
PROHIBITED.

		DIMENSIONS ARE IN INCHES TOLERANCES: FRACTIONAL ± ANGULAR: MACH ± BEND ± TWO PLACE DECIMAL ± THREE PLACE DECIMAL ±		NAME	DATE	GRIT GUARD®
		MATERIAL Polypropylene		C. Lamb	3/23/2016	
		FINISH		CHECKED		GRIT GUARD, INC. 3690 COUNTY ROAD 10 BELLEFONTAINE, OH 43311 866-592-5925 937-592-9003 WWW.GRITGUARD.COM
		APPLICATION:		ENG APPR.		
NEXT ASSY	USED ON	DO NOT SCALE DRAWING		MFG APPR.		 SIZE A DWG TITLE GG5BD - Sheet1 REV. 1 SCALE:1:4 WEIGHT: SHEET 1 OF 2
				Q.A.		
				COMMENTS:	



SECTION A-A

PROPRIETARY AND CONFIDENTIAL
 THE INFORMATION CONTAINED IN THIS DRAWING IS THE SOLE PROPERTY OF FYDA ENERGY SOLUTIONS, INC. ANY REPRODUCTION IN PART OR AS A WHOLE WITHOUT THE WRITTEN PERMISSION OF FYDA ENERGY SOLUTIONS, INC. IS PROHIBITED.

		DIMENSIONS ARE IN INCHES		NAME		DATE	
		TOLERANCES:		C. Lamb		3/23/2016	
		FRACTIONAL ±		CHECKED			
		ANGULAR: MACH ± BEND ±		ENG APPR.			
		TWO PLACE DECIMAL ±		MFG APPR.			
		THREE PLACE DECIMAL ±		Q.A.			
		MATERIAL		COMMENTS:			
		Polypropylene				
NEXT ASSY	USED ON	FINISH		SIZE		DWG TITLE	
APPLICATION:		DO NOT SCALE DRAWING		A		GG5BD - Sheet2	
				SCALE:1:4		WEIGHT:	
						SHEET 2 OF 2	

GRIT GUARD®

GRIT GUARD, INC.
 3690 COUNTY ROAD 10
 BELLEFONTAINE, OH 43311
 866-592-5925
 937-592-9003
 WWW.GRITGUARD.COM



REV.
1