

**1 x 1 / 1 x 2 / 2 x 2 / 2 x 4  
LED Internal Panel Light**



**Installation Guide**

---

## SAFETY INFORMATION

### IMPORTANT SAFETY INSTRUCTIONS. SAVE THESE INSTRUCTIONS.

Most electrical accidents are caused by carelessness. Review these basic electrical guidelines before you begin this installation.

- Use tools with insulated handles and ladders made of wood or fiberglass.
- Keep dry-chemical fire extinguishers in the kitchen, basement, and workshop.
- Never disable grounding devices. Ensure all appliances that require grounding are properly grounded, and that the electrical system itself is properly grounded.
- Meet all electrical code requirements that cover the work you are doing.
- Work with enough light to see what you are doing.
- Certified Airtight per ASTM E283-04.
- When in doubt about safety of any electrical repair or test, call in a professional electrician.
- This fixture is IC rated for direct contact with insulation.
- This fixture is intended for indoor or wet location use.
- Do not modify this fixture. If any modifications are made, it may make the product unsafe and void the warranty.



**WARNING:** Before touching any wire, use a voltage tester to ensure wires are not live.



**WARNING:** When you check for voltage in a receptacle, check both outlets each may be controlled by separate wiring circuit.



**WARNING:** Before working on a circuit, go to main service panel and remove the fuse or trip the breaker that controls that circuit. Tape a warning sign to the panel warning others to leave the circuit OFF while you work.



**WARNING:** CONSULT A QUALIFIED ELECTRICIAN TO ENSURE CORRECT BRANCH CIRCUIT CONDUCTOR.



**WARNING:** Changes or modifications to this unit not approved by the party responsible for compliance could void the user's authority to operate the equipment. This device complies with part 15 of FCC rules. Operation is subject to the following two conditions: (1) this device may not cause harmful interference, and (2) this device must accept any interference received, including interference that may cause improper operation.

**NOTE:** This equipment has been tested and found to comply with the limits for a Class B digital device, pursuant to Part 15 of the FCC Rules. These limits are designed to provide protection against harmful interference in a residential installation. This equipment generates, uses and can radiate radio frequency energy, and if not installed and used in accordance with the instructions, may cause harmful interference to radio communications. There is no guarantee that interference will not occur in a particular installation location. If this equipment does cause harmful interference to radio or television reception, which can be determined by turning the product off and on, the user is encouraged to try to correct the interference by one or more of the following measures:

- Relocate the receiving antenna.
- Increase separation between the equipment and receiver.
- Connect equipment into an outlet on a circuit different from which the receiver is connected.
- Consult an experienced radio/TV technician for help.

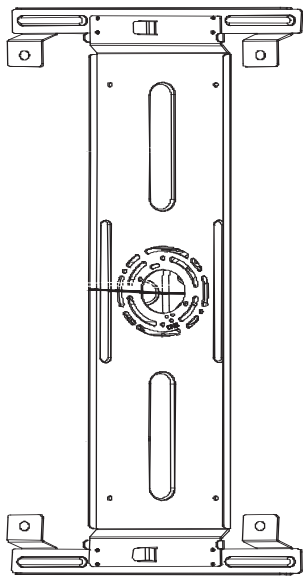
## PREPARATION

**READ ALL INSTRUCTIONS BEFORE INSTALLATION. KEEP FOR FUTURE REFERENCE.**

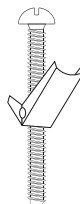
## PRE-INSTALLATION

- Fixture must be installed, checked and repaired by an authorized electrician.
- This product must be installed in accordance with the applicable installation code by a person familiar with the construction and operation of the product and the hazards involved.
- For proper operation, make sure to connect the fixture to the proper voltage and install it according to these instructions.
- For safety purposes, turn off the power and allow the fixture to cool before installing or removing the fixture.
- Do not install the panel light to an unstable ceiling or near combustible materials.
- Cut off the power if there are any unexpected occurrences.
- Do not alter or modify the fixture or change any of the components.
- Do not use fixture under conditions of direct sunlight, humidity, fog, rain, corrosive gas, dust or liquid.

## INCLUDED



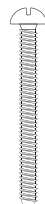
A



B



C



D



E



F

Part	Description	Qty
A	Mounting Plate	1
B	3/16" Adjustable Wing Nut	4 or 2
C	Wire Nut	3
D	Screw	2
E	Plastic Tox	4 or 2
F	Screw	4 or 2

## FIXTURE INSTALLATION

### STEP 1

Identify the wires: Turn OFF the main power at the circuit breaker before installing the fixture.

Identify the wiring:

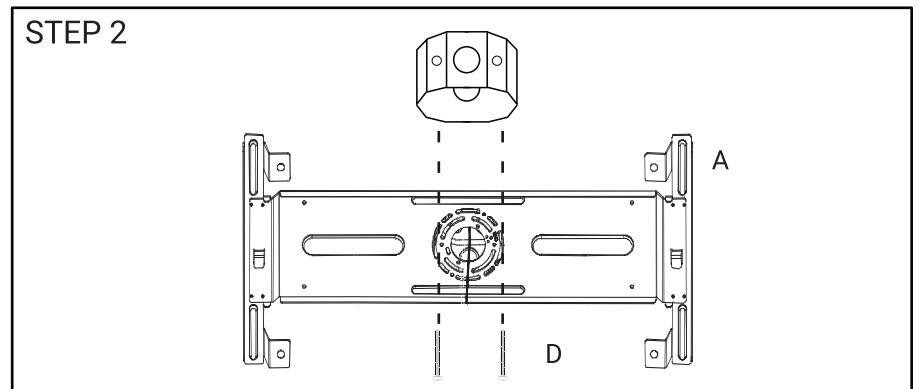
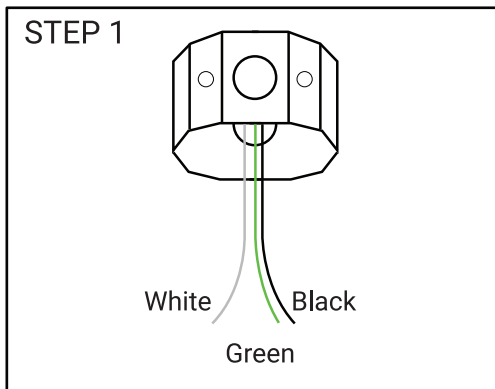
BLACK- Line Voltage

WHITE- Neutral

GREEN- Ground

### STEP 2

Attaching the mounting plate: Attach the mounting plate (A) to the junction box using the two screws (D) provided. Align the mounting plate in the direction you want the fixture to be aligned. Once the toggle bolts are installed, you cannot change the orientation.

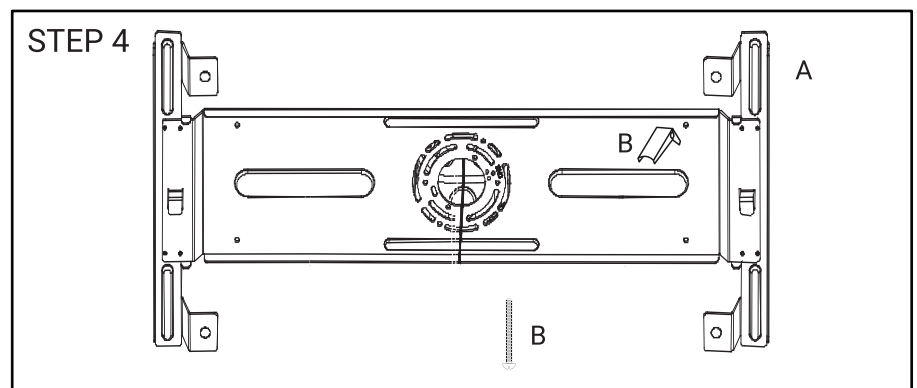
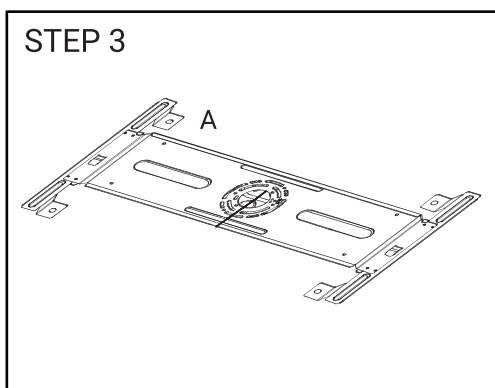


### STEP 3

Positioning the toggle bolts: Using the mounting plate (A) as a guide, mark the position of the holes on the ceiling or wall where the toggle bolts will be placed.

### STEP 4

Installing the toggle bolts: Remove the mounting plate (A) from the junction box. Drill four holes where marked using a 1/2" drill bit. Remove the wings from the 3/16" wing nuts (B). Insert a screw (B) through the front of the mounting plate (A) and reattach the wing to the screw (B). Repeat for all four wire nuts or fixed on the ceiling with (E) and (F).



## FIXTURE INSTALLATION

### STEP 5

Re-attaching the mounting plate: Feed the junction box wires through the center of the mounting plate (A) hole. Re-attach the mounting plate (A) by inserting the four adjustable wing nuts (B) into the drilled holes. Once the wings (B) are through and expanded, pull the screw (B) downward to engage and tighten.

### STEP 6

Connecting the panel light: Hook the support wire from the fixture on the mounting bracket panel.

### STEP 7

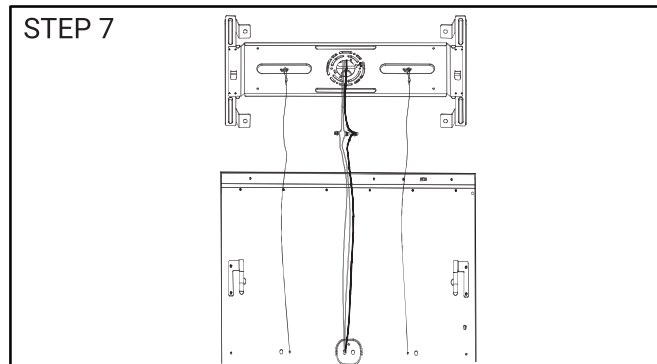
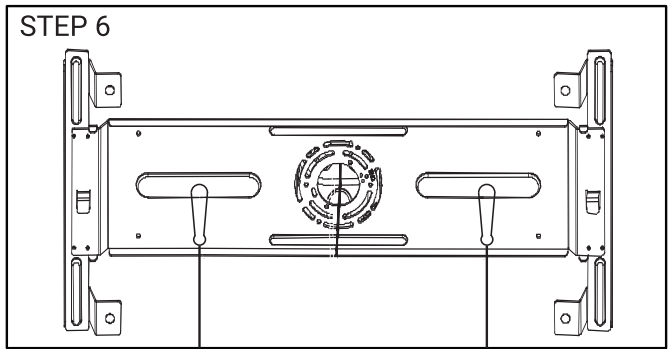
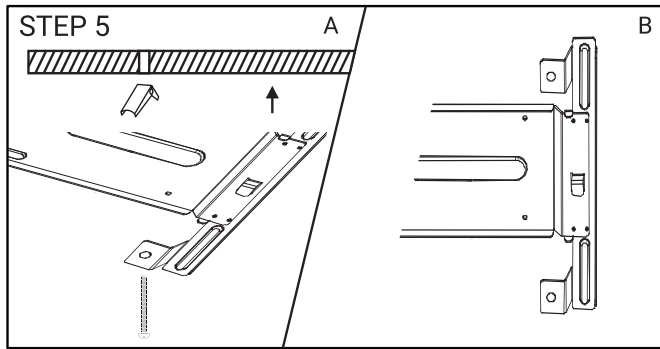
Installing the panel light: Connect the three wires coming from the fixture to the junction box wires (Black- Line Voltage, White- Neutral and Green- Ground).



CAUTION: When installing the panel on a vertical surface, the mounting plate must be installed in such a way that the mounting tabs are oriented in a vertical position. If the mounting tabs are not in this position the fixture will not be properly secured and could fall resulting in serious injury.



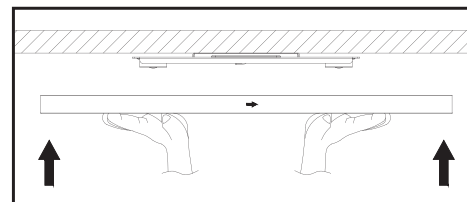
CAUTION: Care must be taken not to have excess wires outside the junction box to avoid pinching wires. This may cause a short and could lead to a potential hazard.



### STEP 8

Attach the panel light: Feed the junction box and fixture wires through the mounting bracket plates center hole.

### STEP 8



### STEP 9

Securing the panel light: Once the fixture has been raised and is flush to the ceiling, lock the fixture by moving according to the direction indicated by the panel light.

### STEP 9

