


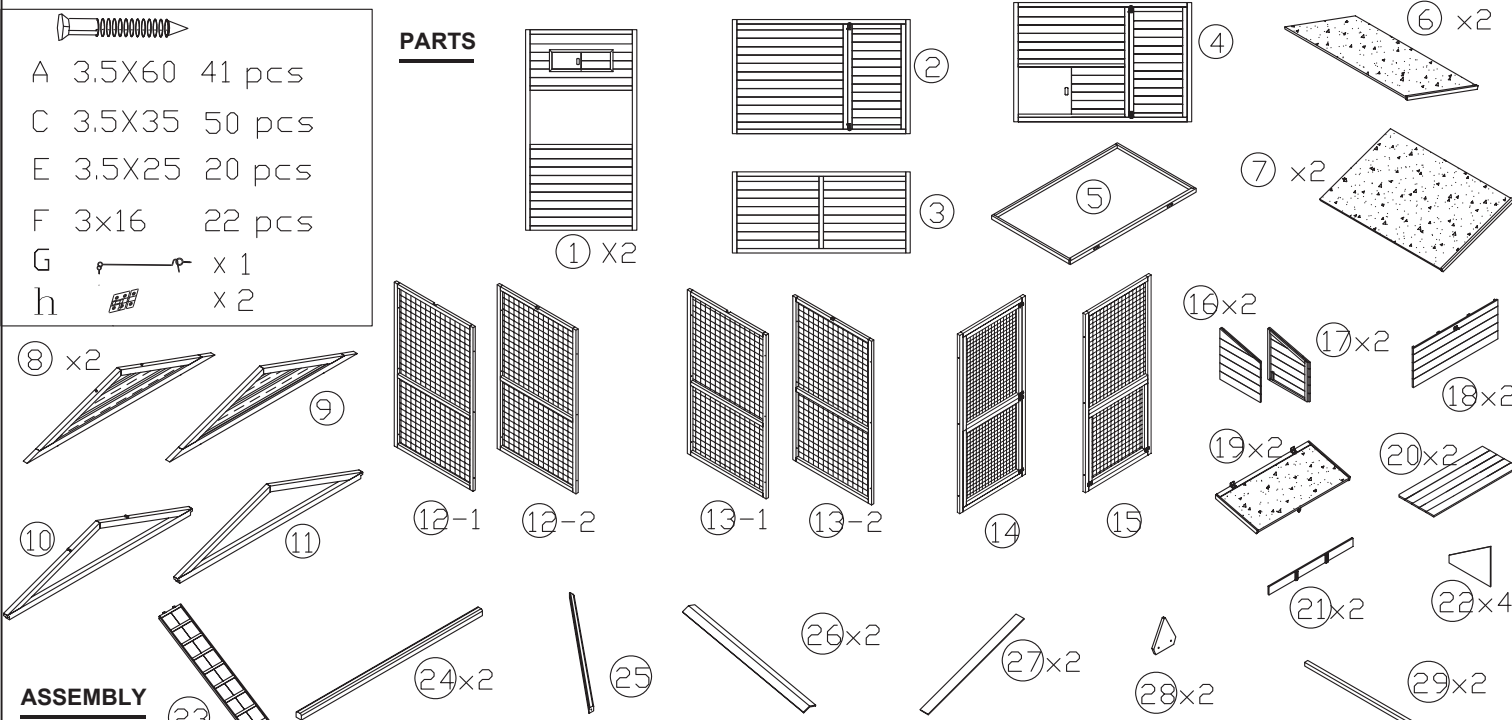


ASSEMBLY INSTRUCTION

DDP-0948LL

 A 3.5X60 41 pcs
 C 3.5X35 50 pcs
 E 3.5X25 20 pcs
 F 3x16 22 pcs
 G  x 1
 h  x 2

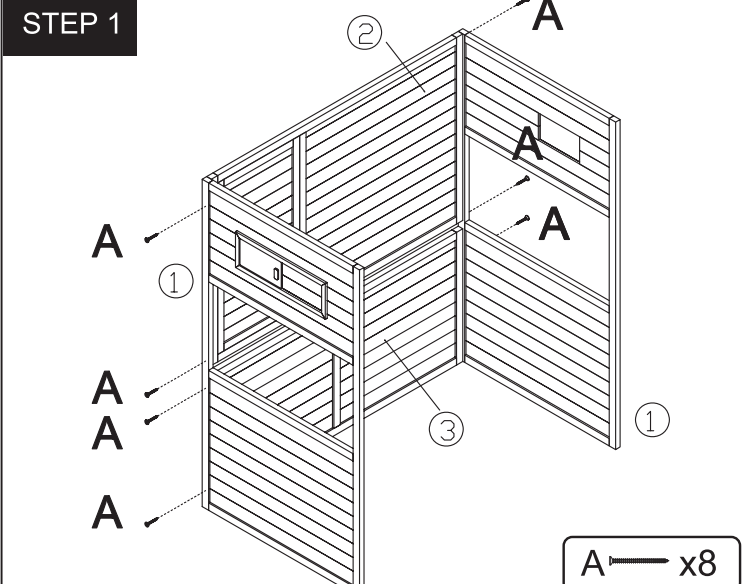
PARTS



① x2 ② ③ ④ ⑤ ⑥ x2
 ⑦ x2 ⑧ x2 ⑨ ⑩ ⑪ ⑫-1 ⑫-2 ⑬-1 ⑬-2 ⑭ ⑮ ⑯x2 ⑰x2 ⑱x2 ⑲x2 ⑳x2
 ㉑x2 ㉒x4 ㉓x2 ㉔x2 ㉕ ㉖x2 ㉗x2 ㉘x2 ㉙x2

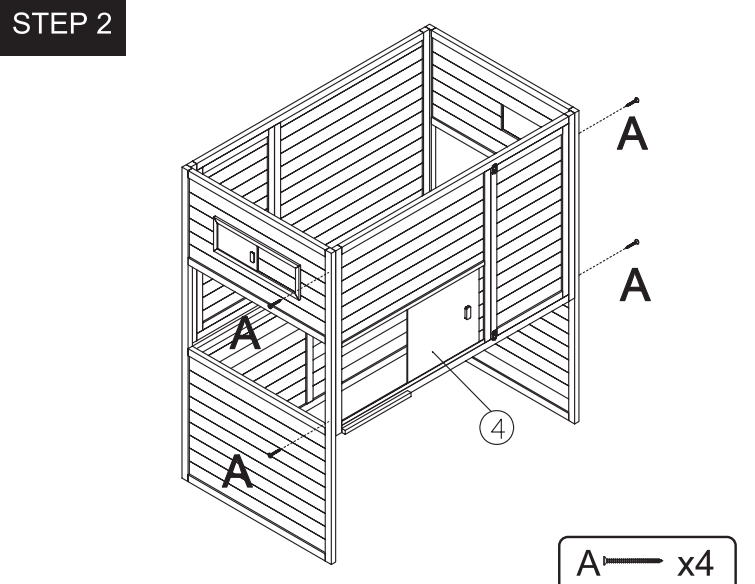
ASSEMBLY

STEP 1



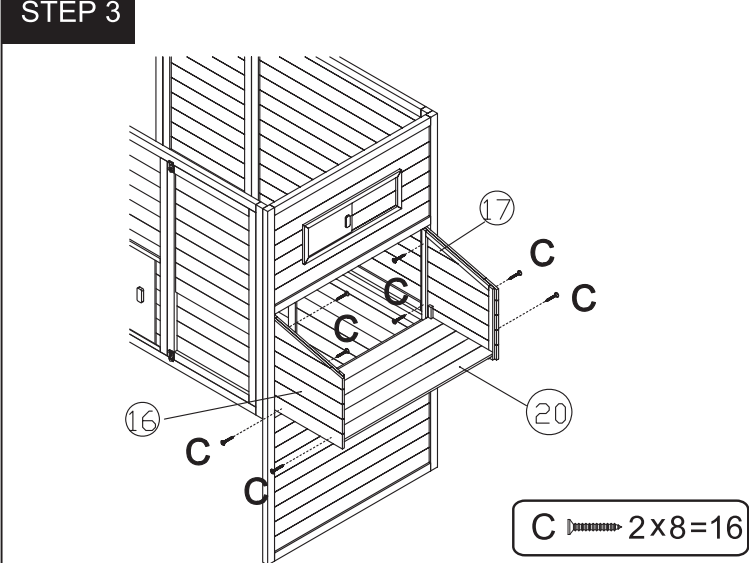
A → x8

STEP 2



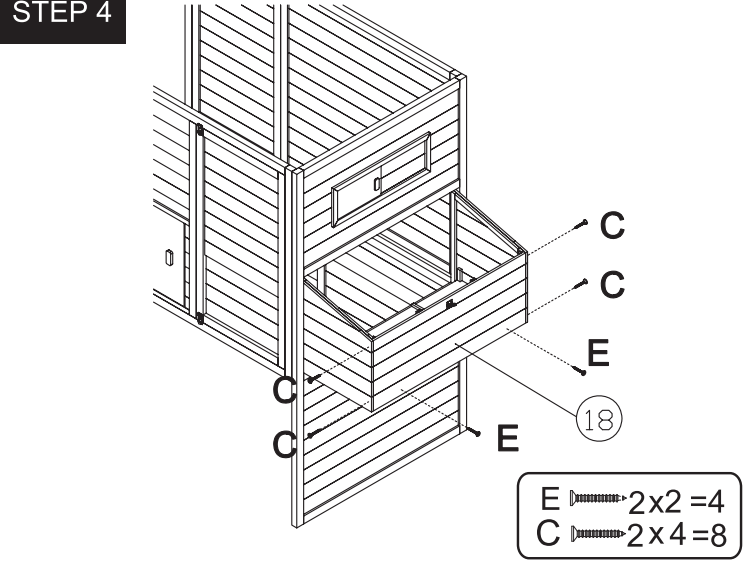
A → x4

STEP 3

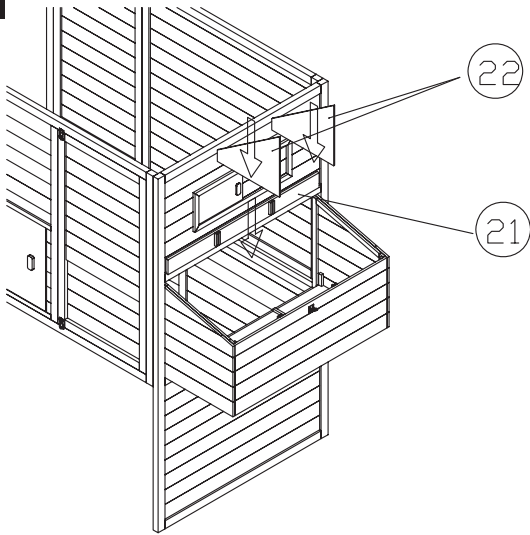
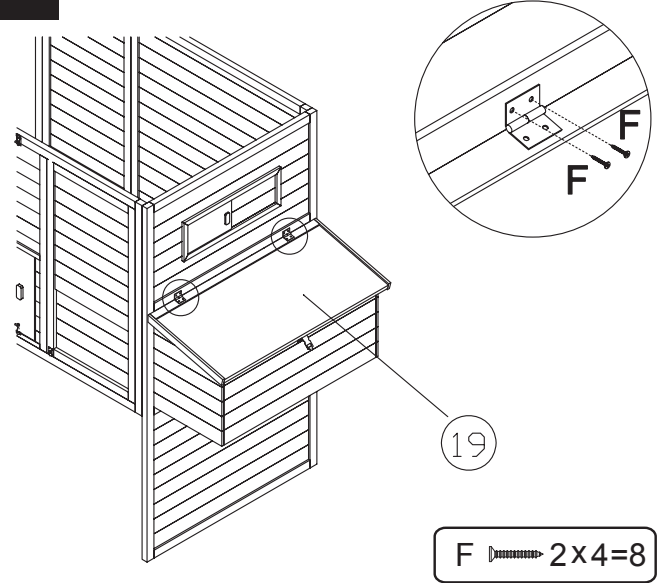
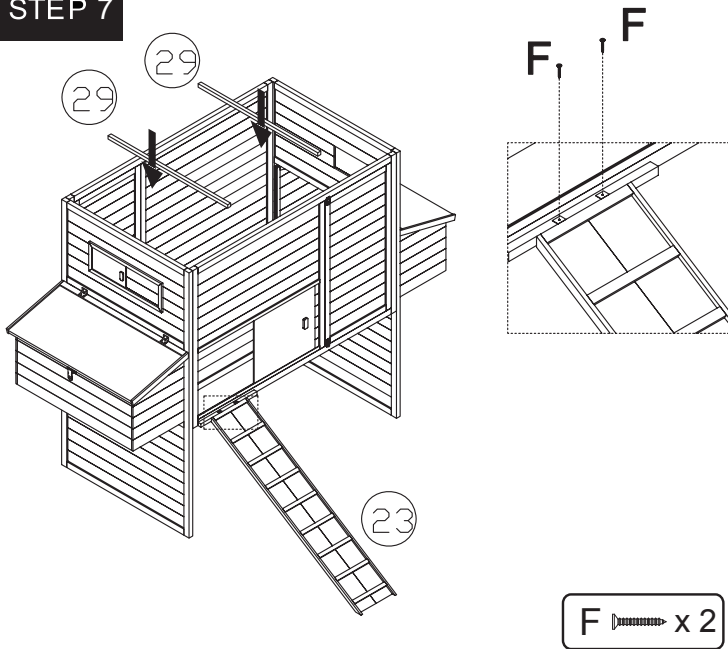
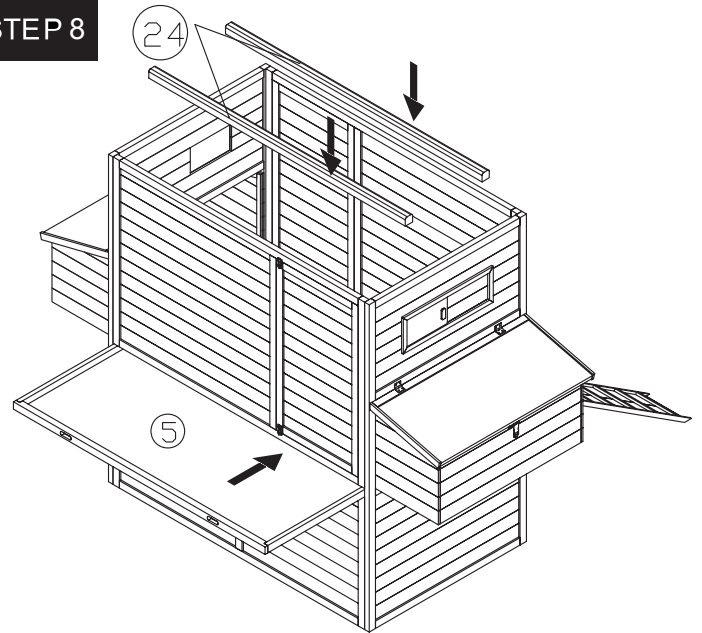
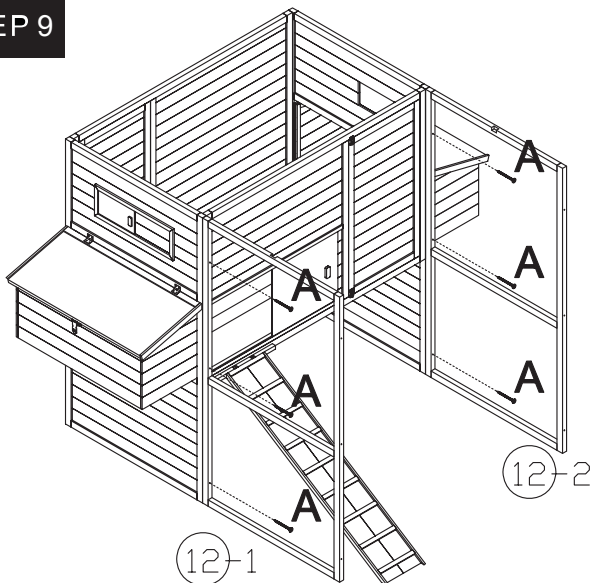


C → 2x8=16

STEP 4

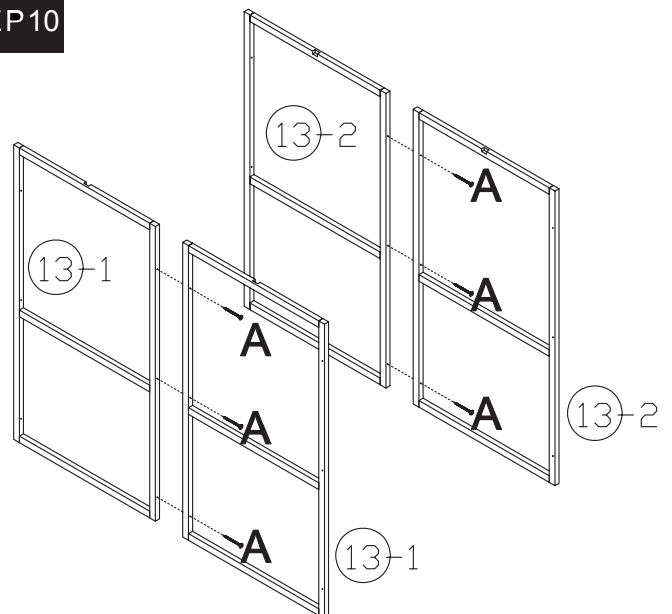


E → 2x2=4
 C → 2x4=8

STEP 5**STEP 6****STEP 7****STEP 8****STEP 9**

Panels 12-1 and 12-2 must have the sides with slots facing up and toward the inside. This will allow placement of the triangular roof supports in step 13.

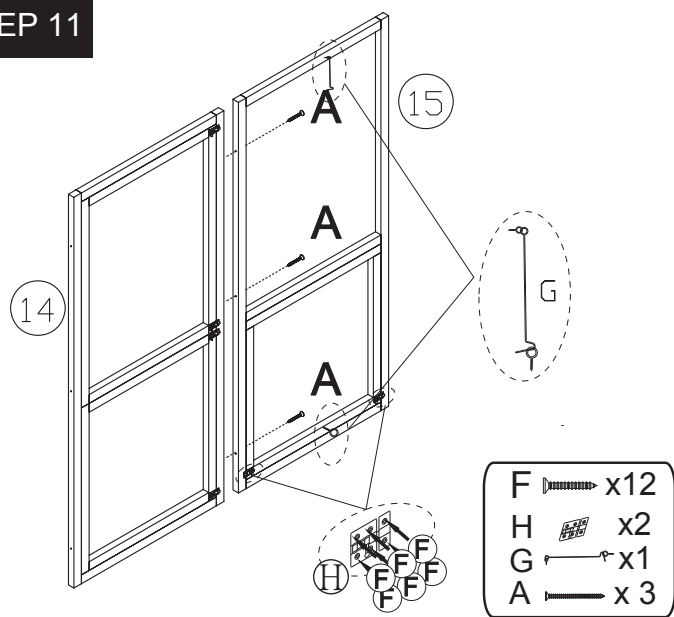
A ← x 6

STEP 10

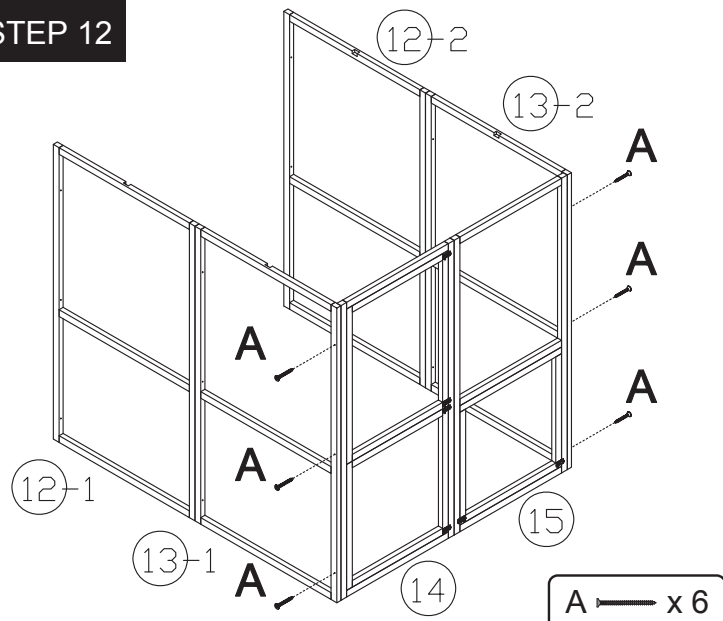
Panels 13-1 and 13-2 must have the sides with slots facing up and toward the inside. This will allow placement of the triangular roof supports in step 13.

A ← x 6

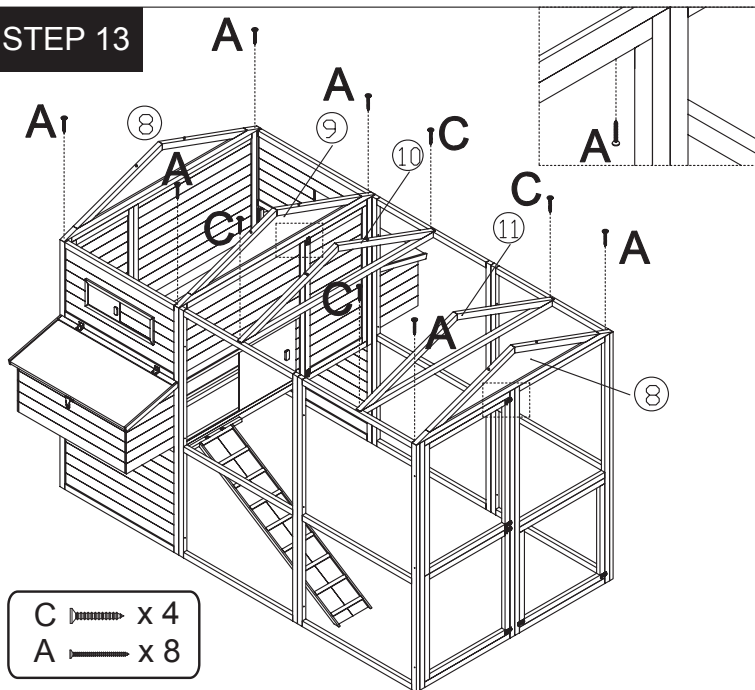
STEP 11



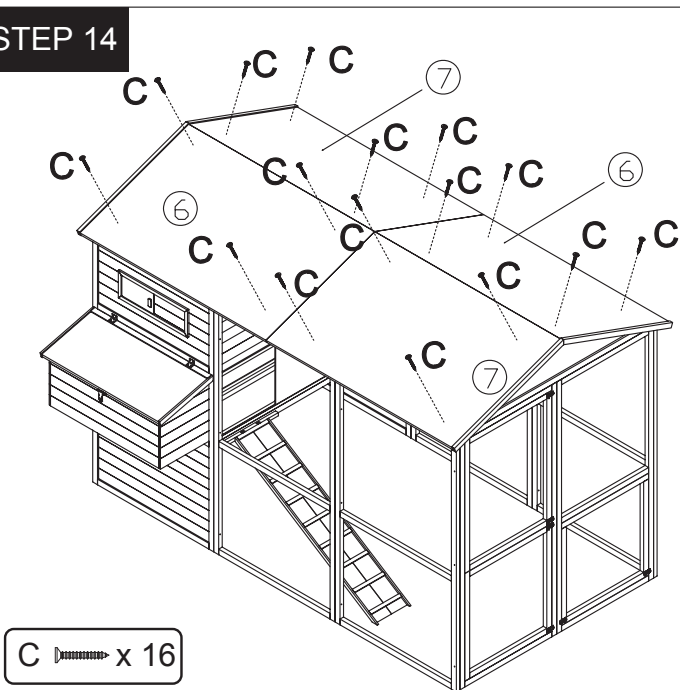
STEP 12



STEP 13



STEP 14



STEP 15

