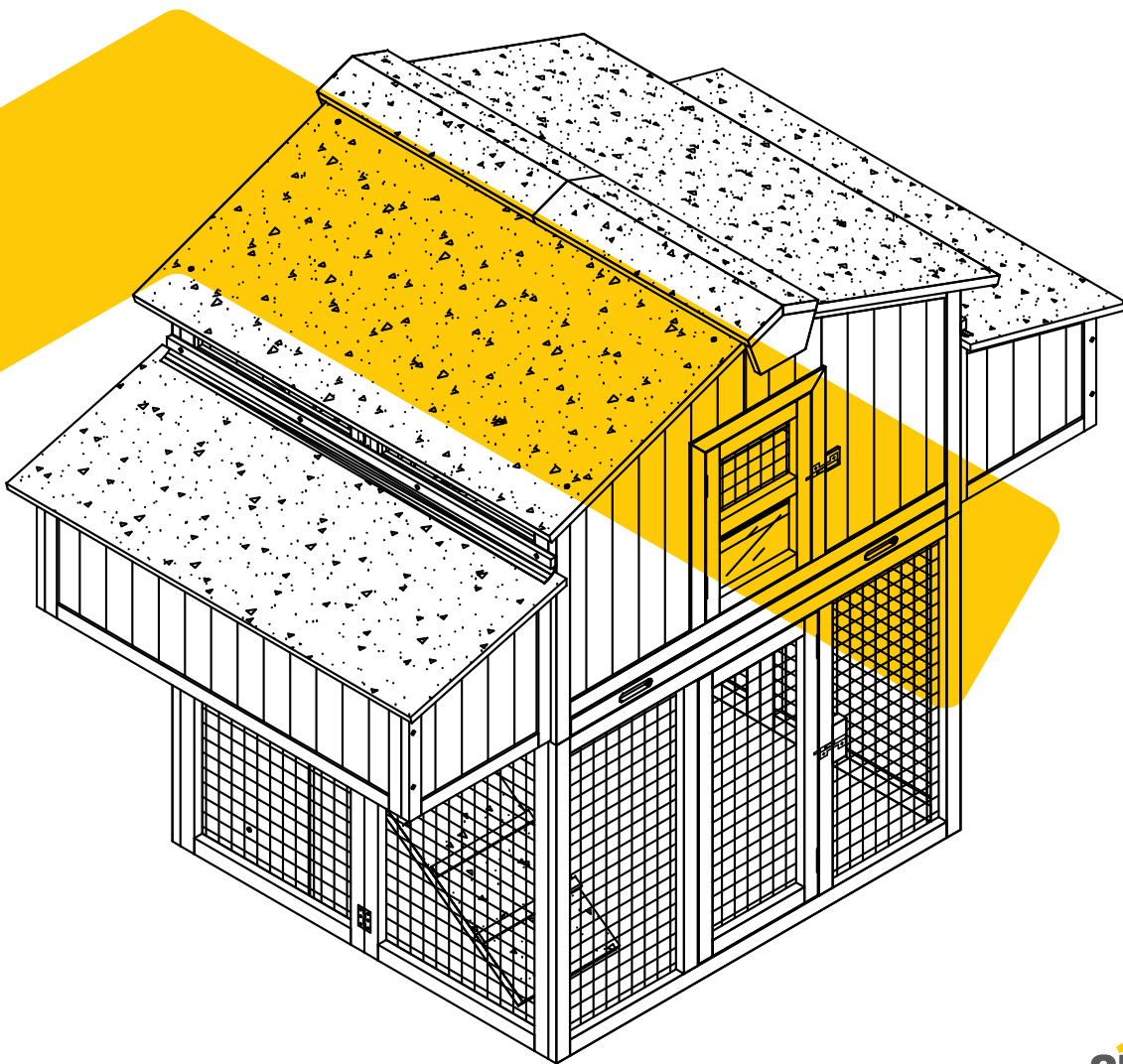


INSTRUCTION MANUAL

AIR 66



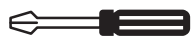


NOTICE

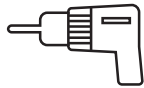
Please retain these instructions for future

- Firmly secure all bolts, screws and knobs before use.
- Reconfirm that all bolts, screws, and knobs are secure every 90 days.
- Fasten screws loosely during initial assembly. Do not fully tighten screws until the item is completely assembled.
- Do not use or store this item in the proximity of open flame or flammable/combustible chemicals.
- Be aware that some parts are heavy and have sharp edges.
- Be aware that moving parts can injure, crush and cut.
- If any parts are missing, broken, damaged, or worn, stop using this product until repairs are made and/or factory replacement parts are installed.
- Do not use this item in a way inconsistent with the manufacturer's instructions as this could void the product warranty.

TOOLS REQUIRED



PHILLIPS
SCREWDRIVER



DRILL
(RECOMMENDED)



2PERSON
ASSEMBLY



APPROXIMATELY
60MIN. ASSEMBLY

HARDWARE

M6.0x50 mm BOLT
8PCS+1 spare



P1

M3.5x60 mm SCREW
14PCS+1 spare



P2

M3.5x40 mm SCREW
8PCS+1 spare



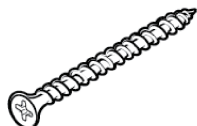
P3

M3.5x35 mm SCREW
14PCS+1 spare



P4

M3.5x30 mm SCREW
16PCS+1 spare



P5

M3.5x25 mm SCREW
22PCS+1 spare



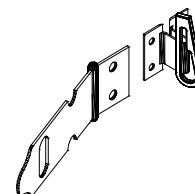
P6

M3.0x14 mm SCREW
30PCS+1 spare



P7

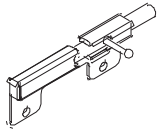
Lock
1PC



P8

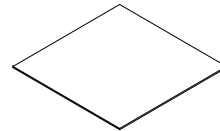
HARDWARE

Spring latch
4PCS



P9

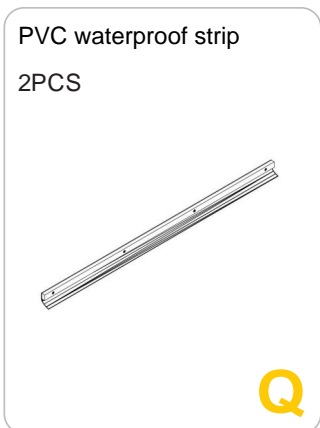
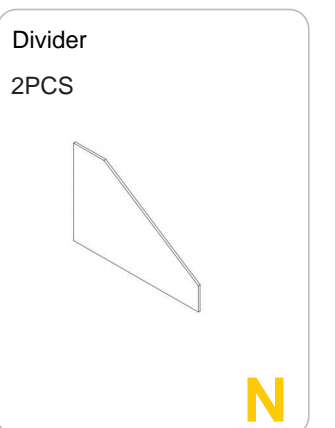
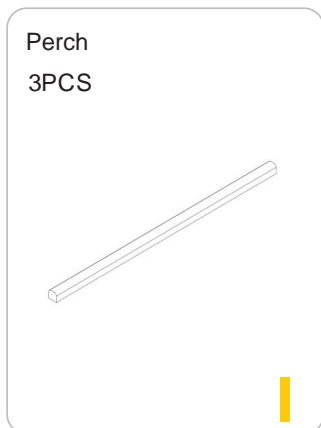
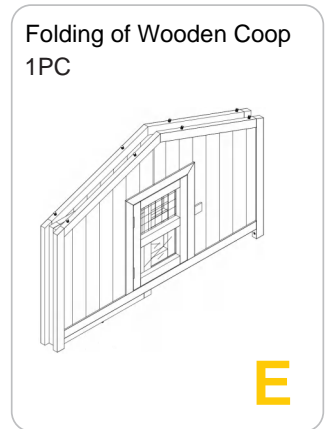
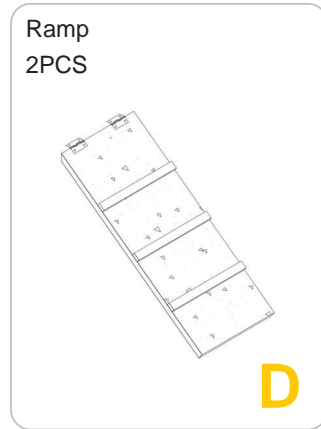
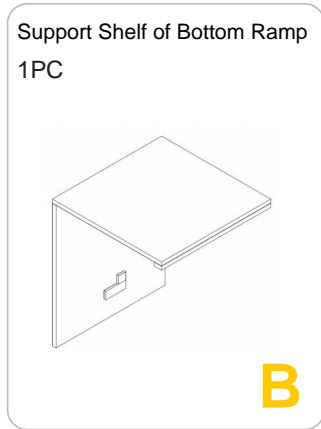
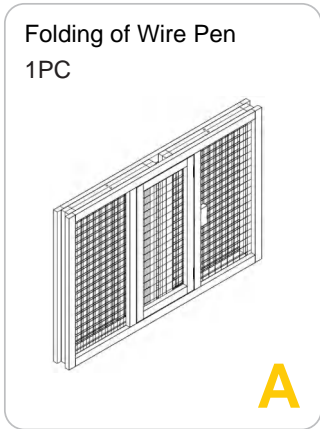
Waterproof PVC
1PC



P10

PARTS

CARTON 1/2



PARTS

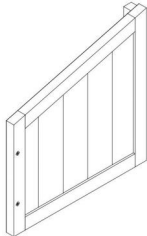
CARTON 2/2

Panel of Nesting Box
2PCS



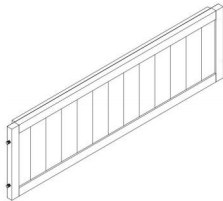
J

Panel of Nesting Box
2PCS



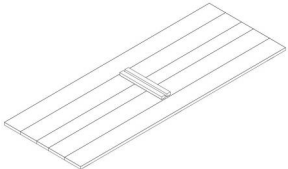
K

Side Panel of Nesting Box
2PCS



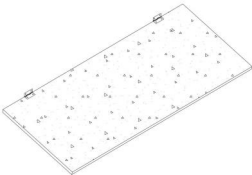
L

Bottom Floor of Nesting Box
2PCS



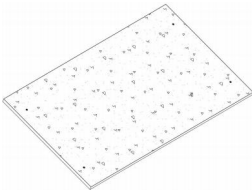
M

Roof of Nesting Box
2PCS



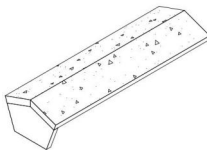
O

Roof of Coop
2PCS



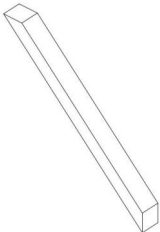
P

Cap
2PCS



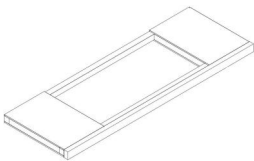
R

Support
1PC



C

Support Panel of Middle Ramp
1PC



G

Support of Tray
1PC



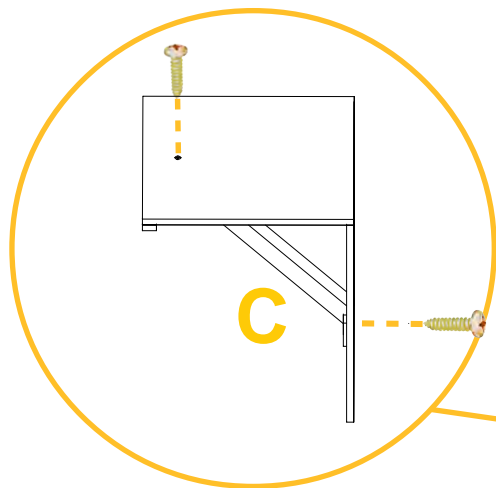
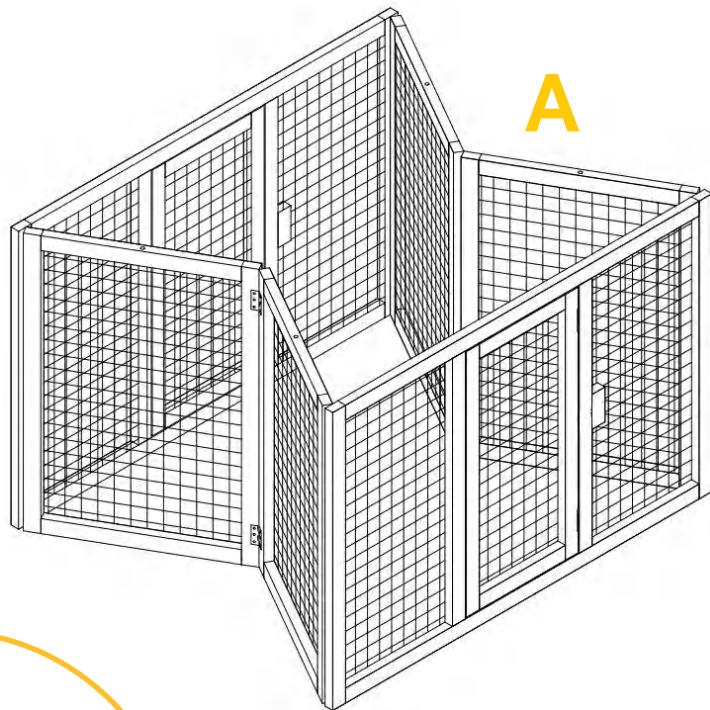
S

Hardware bag

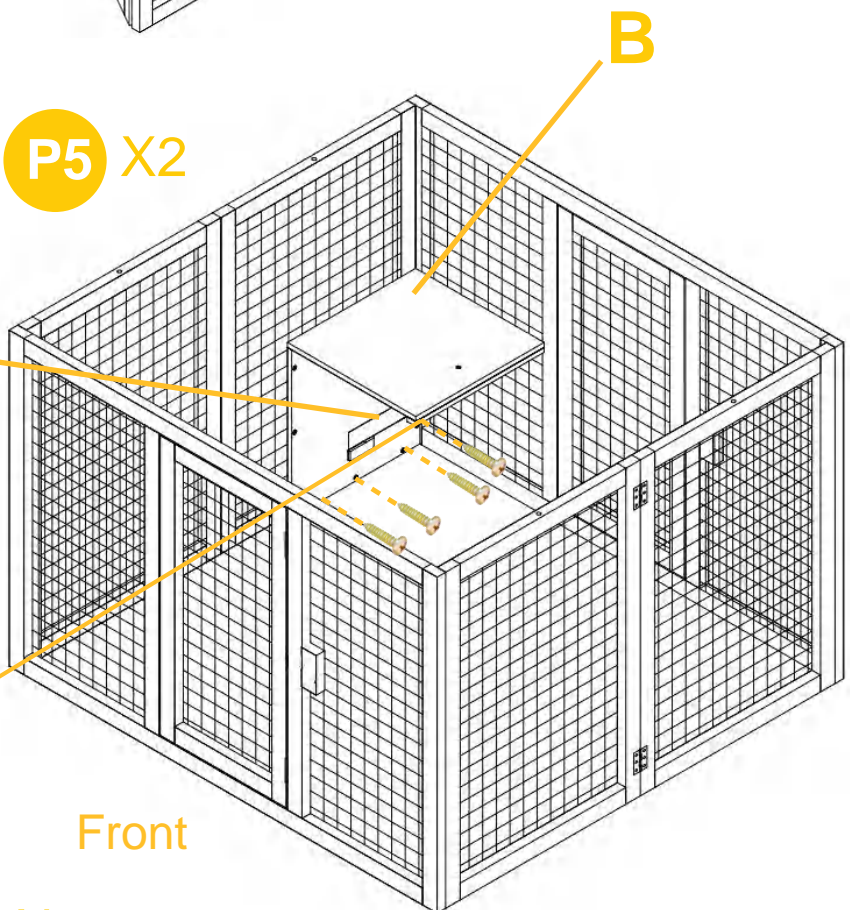


PRODUCT ASSEMBLY

- 01** Expand the part of wire pen Part A .
Attach the Part C to the Part B by 2XP5 screws.
Attach the Part B to the left side of wire pen by 6XP6 screws.



P5 X2



B

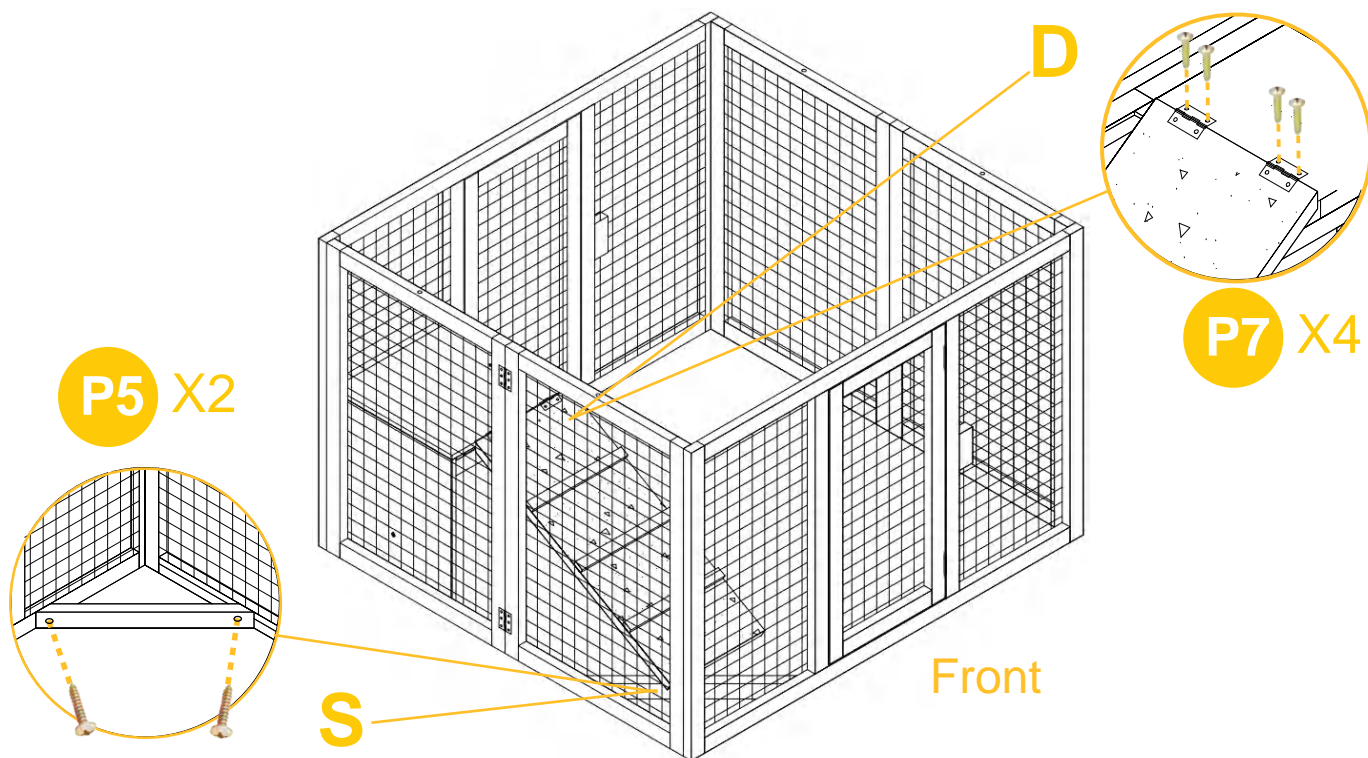
Front

P6 X6

PRODUCT ASSEMBLY

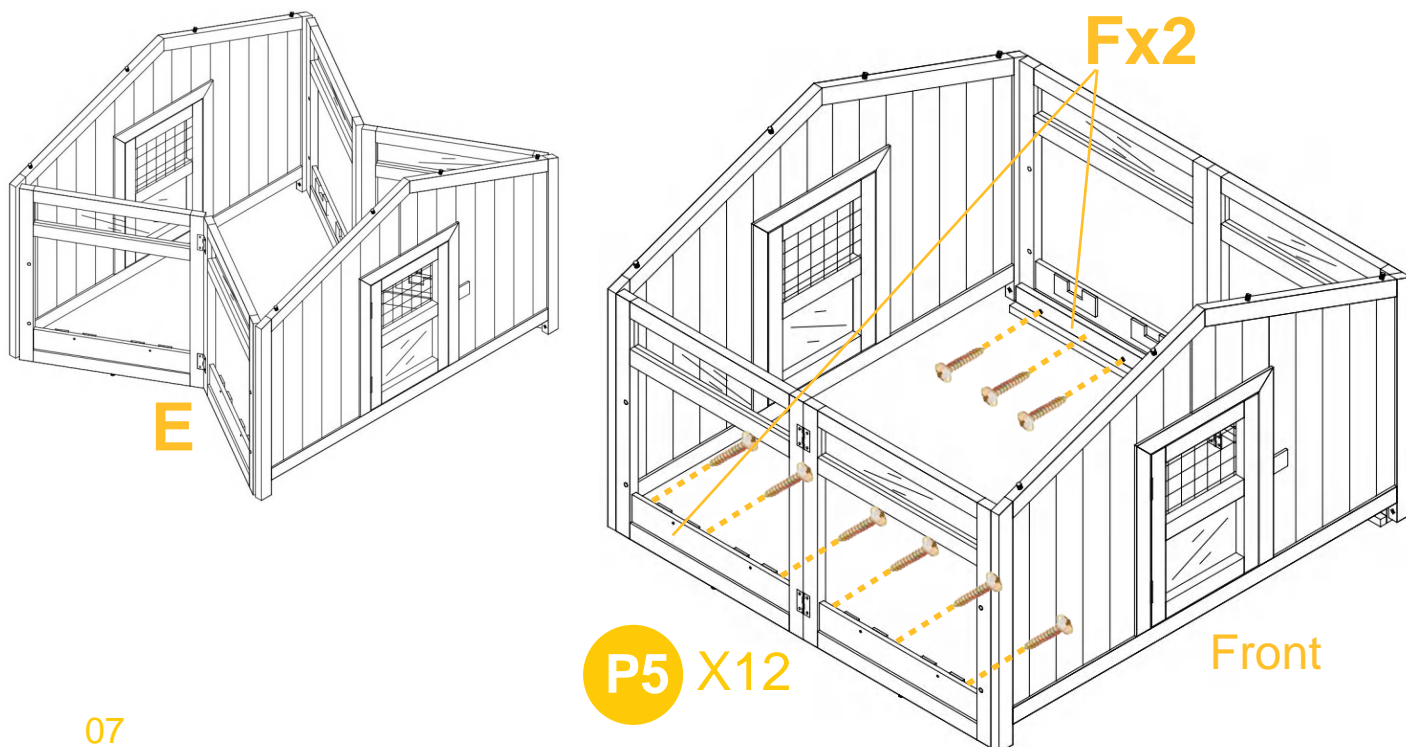
02

Attach the support bar Part S to the corner of front and left side panel by 2X P5 screws. Attach the ramp Part D to the Part B by 4XP7 screws. (Notice the direction of ramp)



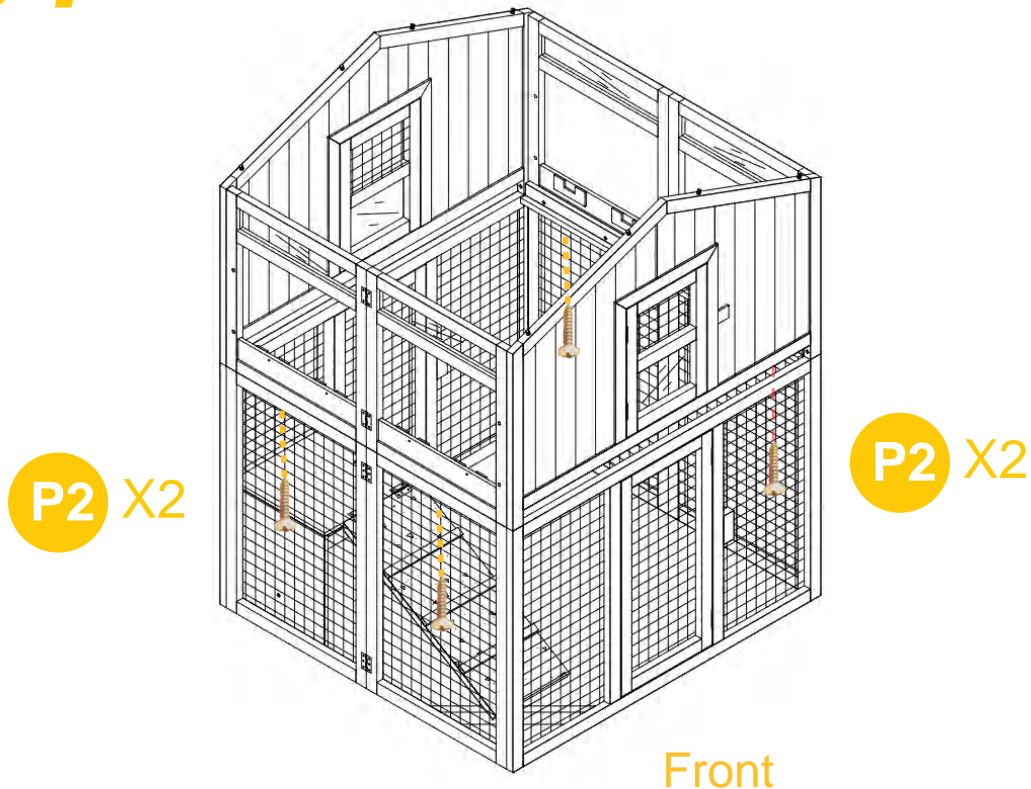
03

Expand the part of wooden coop Part E. Attach the connect bar Part F to the left & right side of coop by 12XP5 screws. (Please line up the same level of bottom edge)

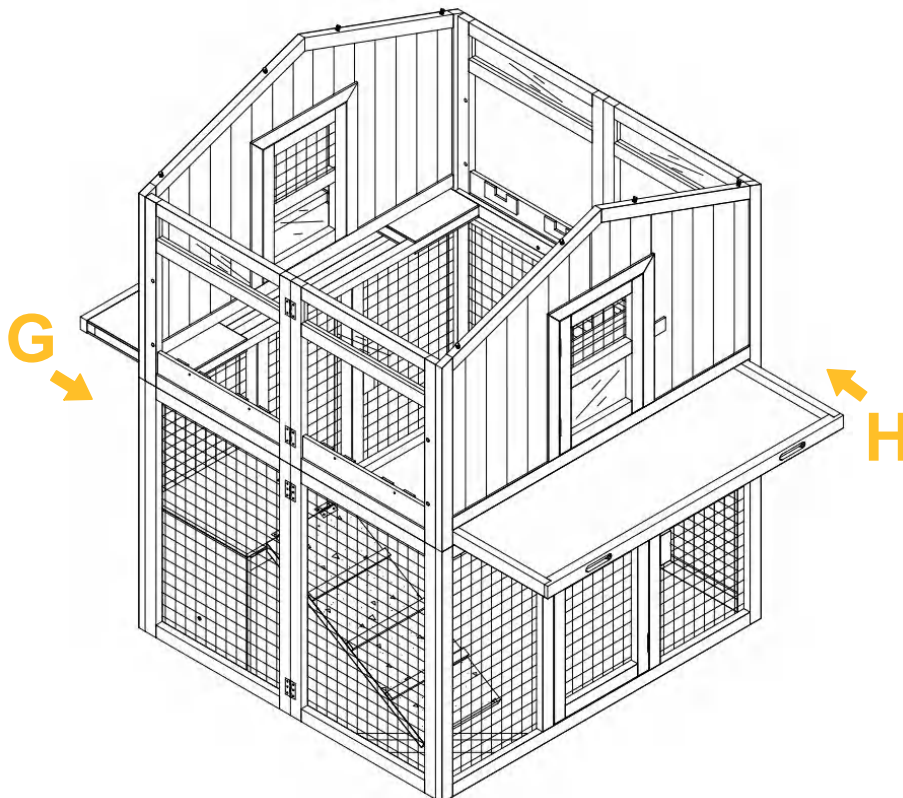


PRODUCT ASSEMBLY

04 Connect the wooden coop and wire pen with connecting bar by 2XP2 screws each side.



05 Slide in tray Part H in front.
Slide in support panel of middle ramp Part G in back.

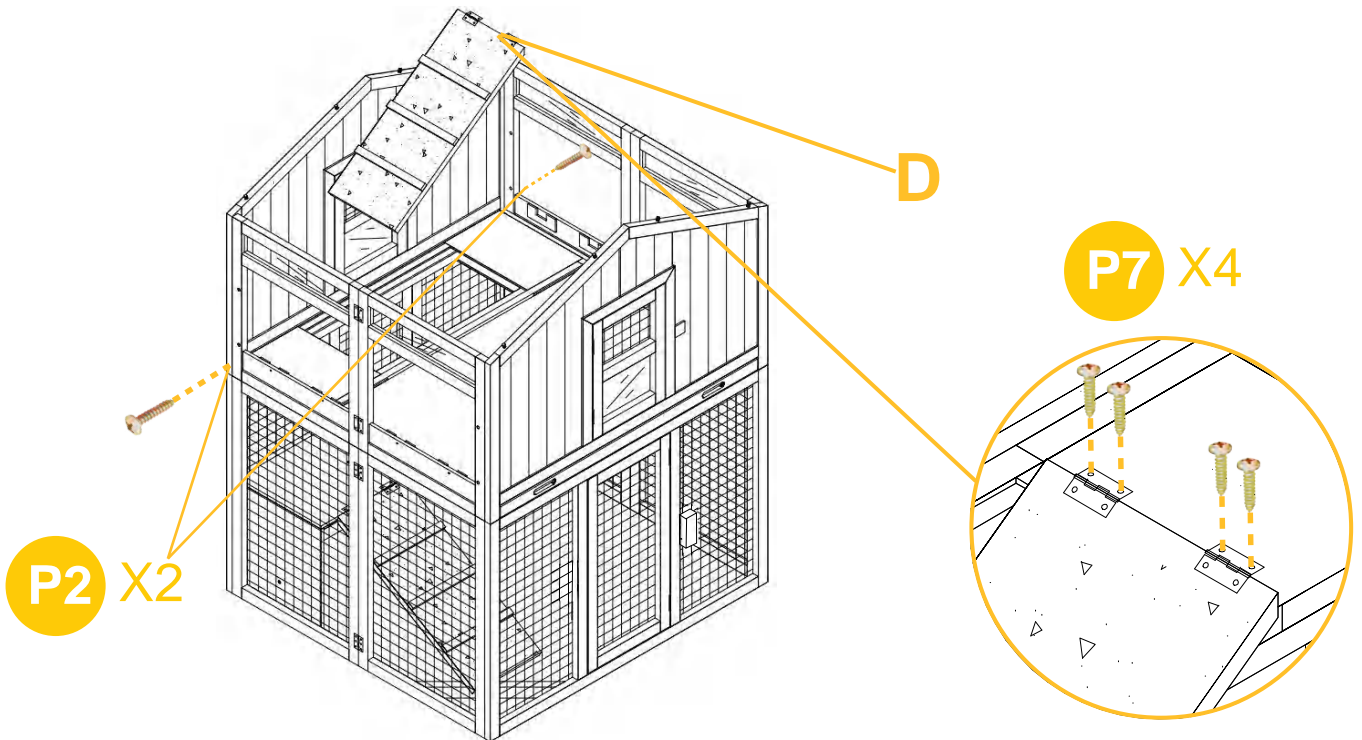


PRODUCT ASSEMBLY

06

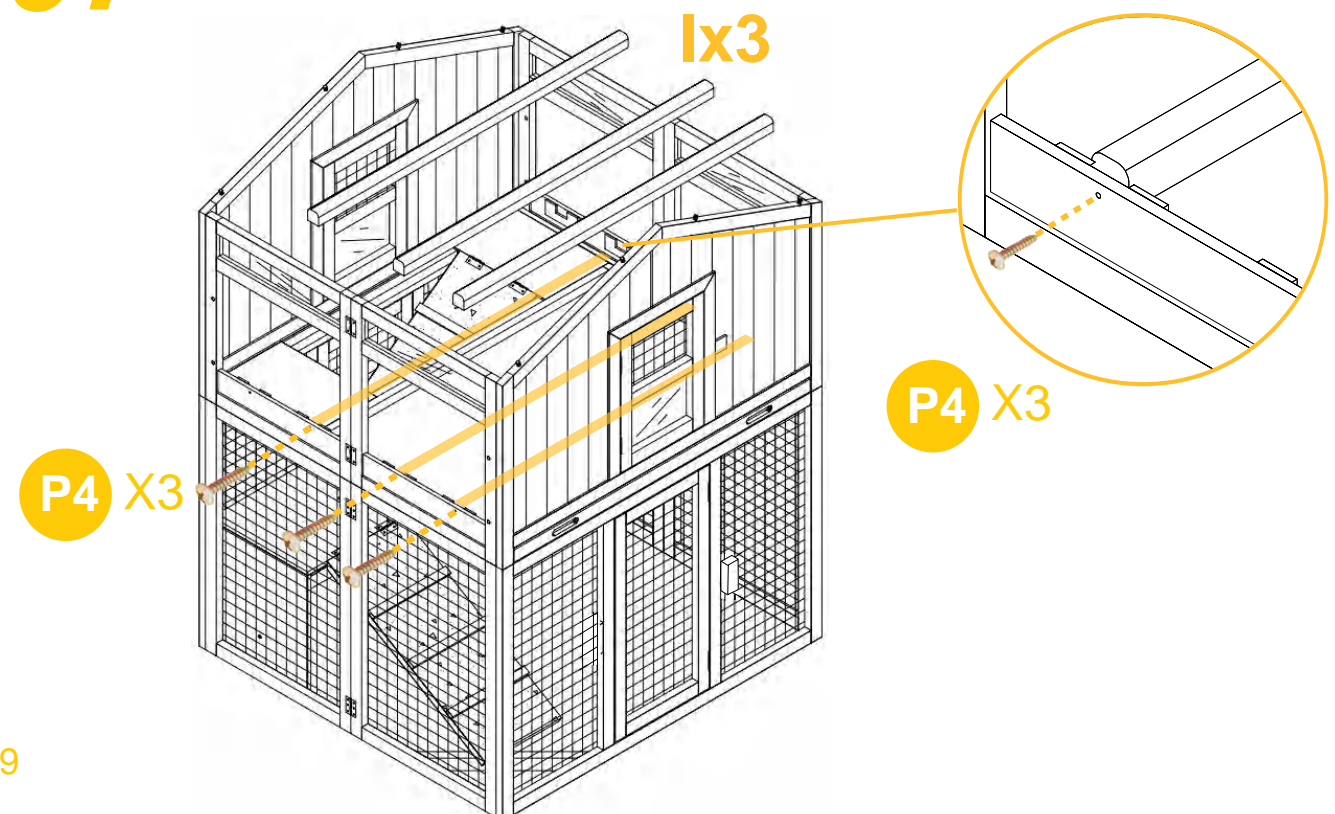
Attach the Part G to side panel by 1 X P2 each sides.

Attach the ramp Part D to the support panel of middle ramp Part G by 4XP7 screws.
(Notice the direction of ramp)



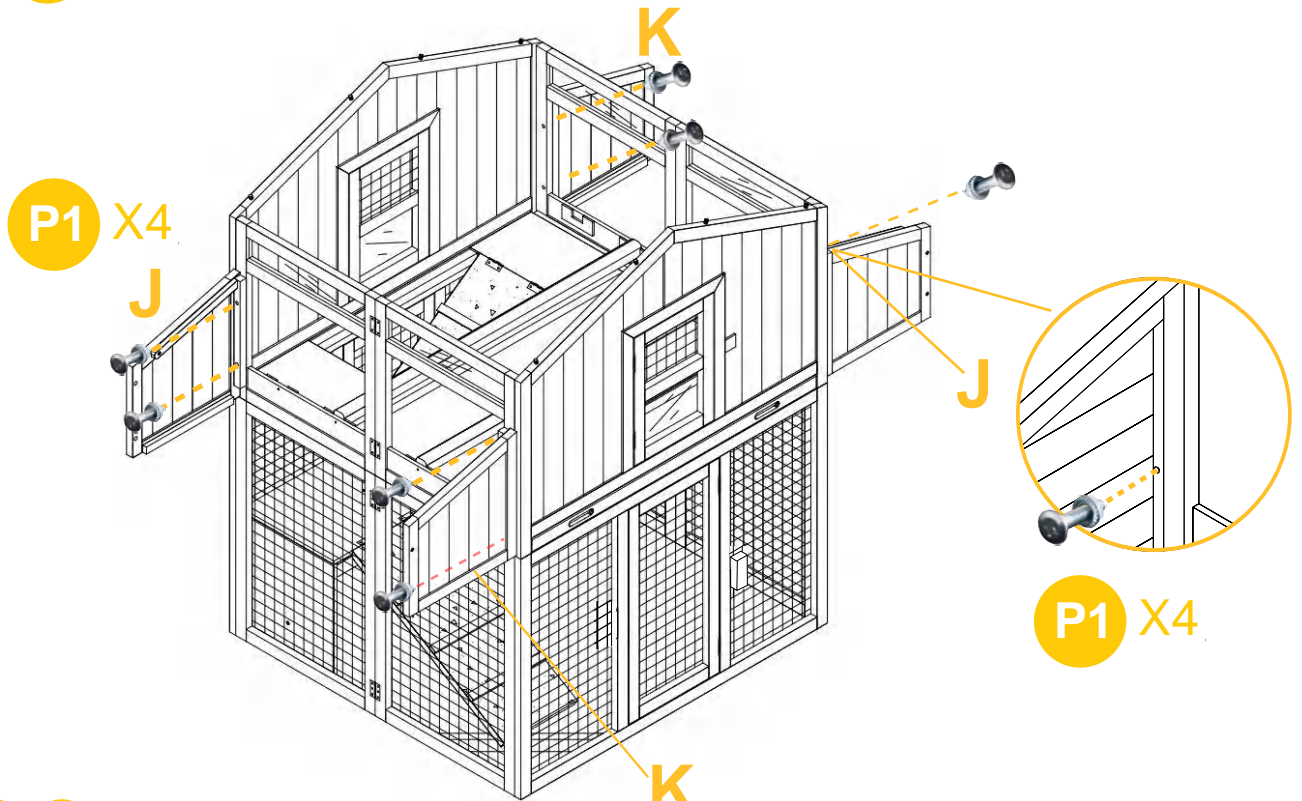
07

Insert 3PCS perches Part I into the slots inside left and right side panel of coop by 6XP4 screws.

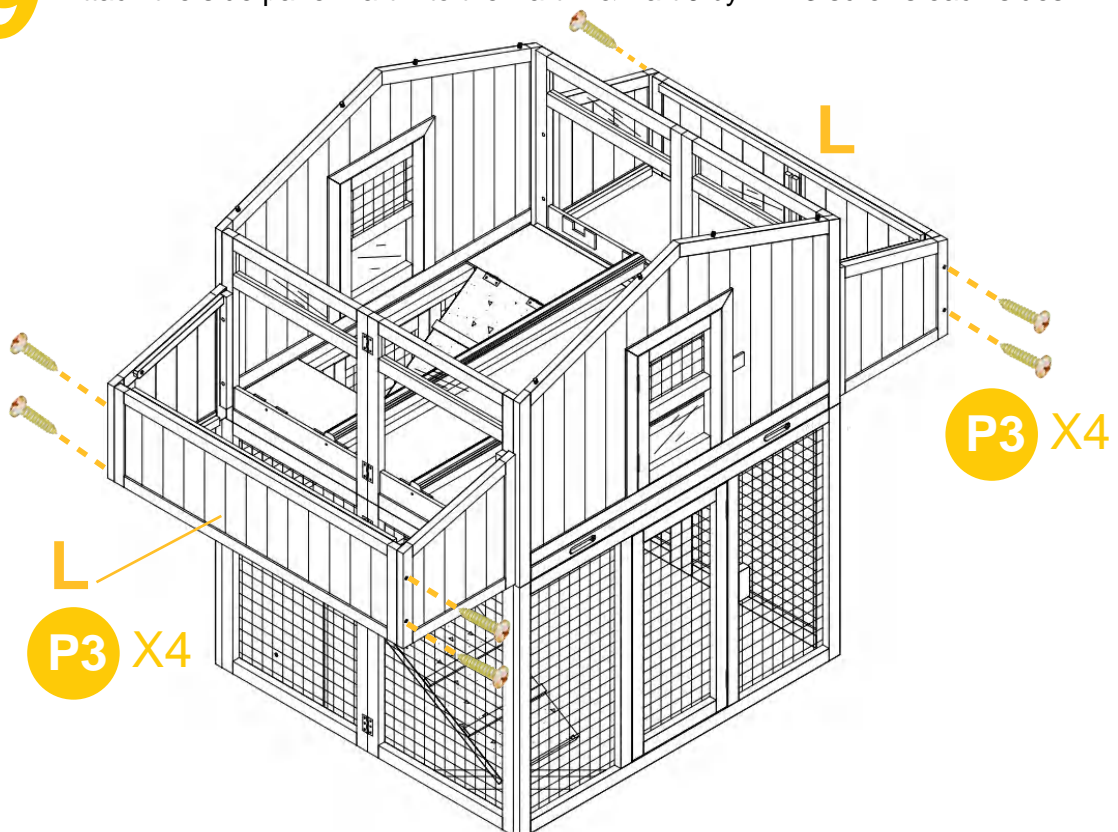


PRODUCT ASSEMBLY

08 Attach the nesting box, attach the Part K & Part J to the coop by 4XP1 bolts each sides.
(Notice the direction of Part K & Part J)



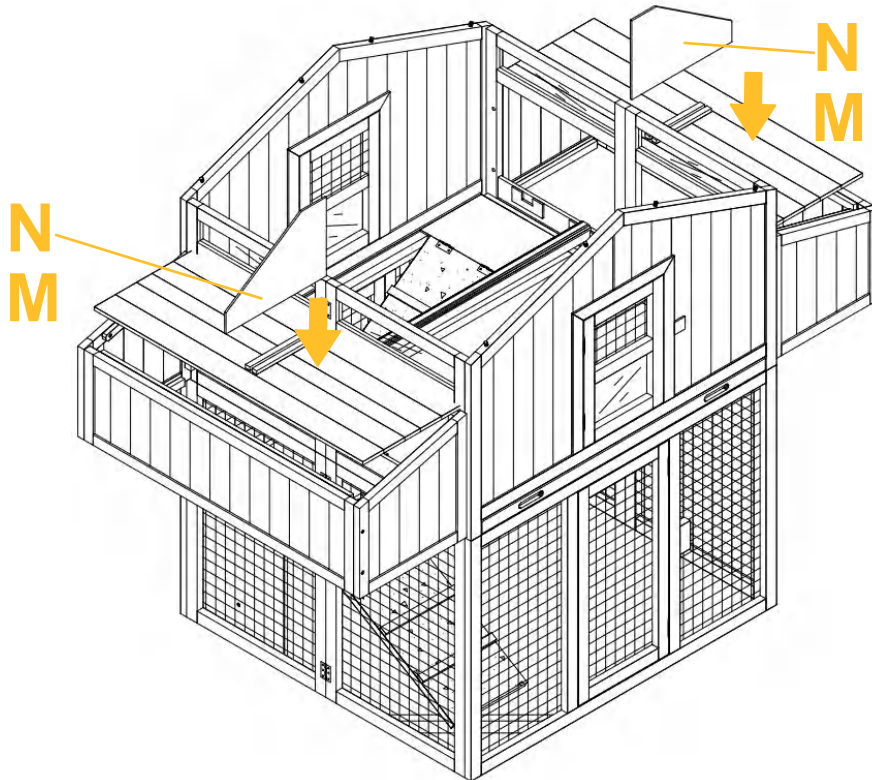
09 Attach the side panel Part L to the Part K & Part J by 4XP3 screws each sides.



PRODUCT ASSEMBLY

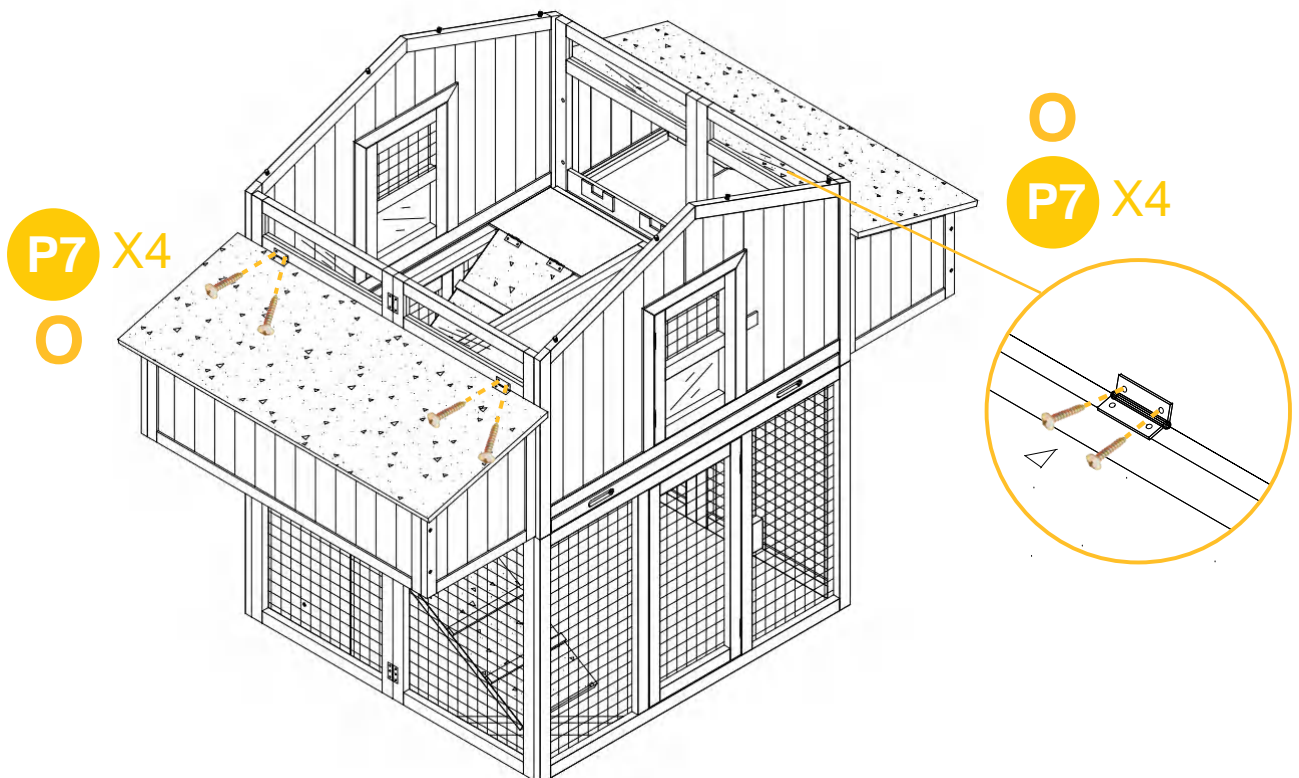
10

Drop in the bottom floor Part M to the nesting box each sides.
Insert the divider Part N into the slots of bottom floor each sides.



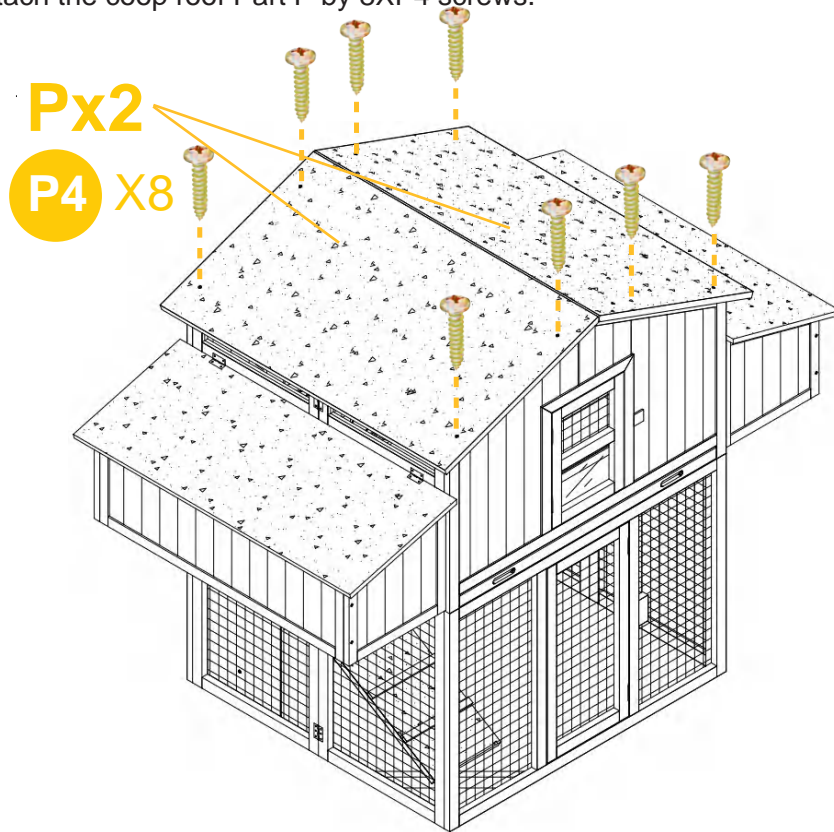
11

Attach the nesting box roof Part O to coop by 4XP7 screws each sides.

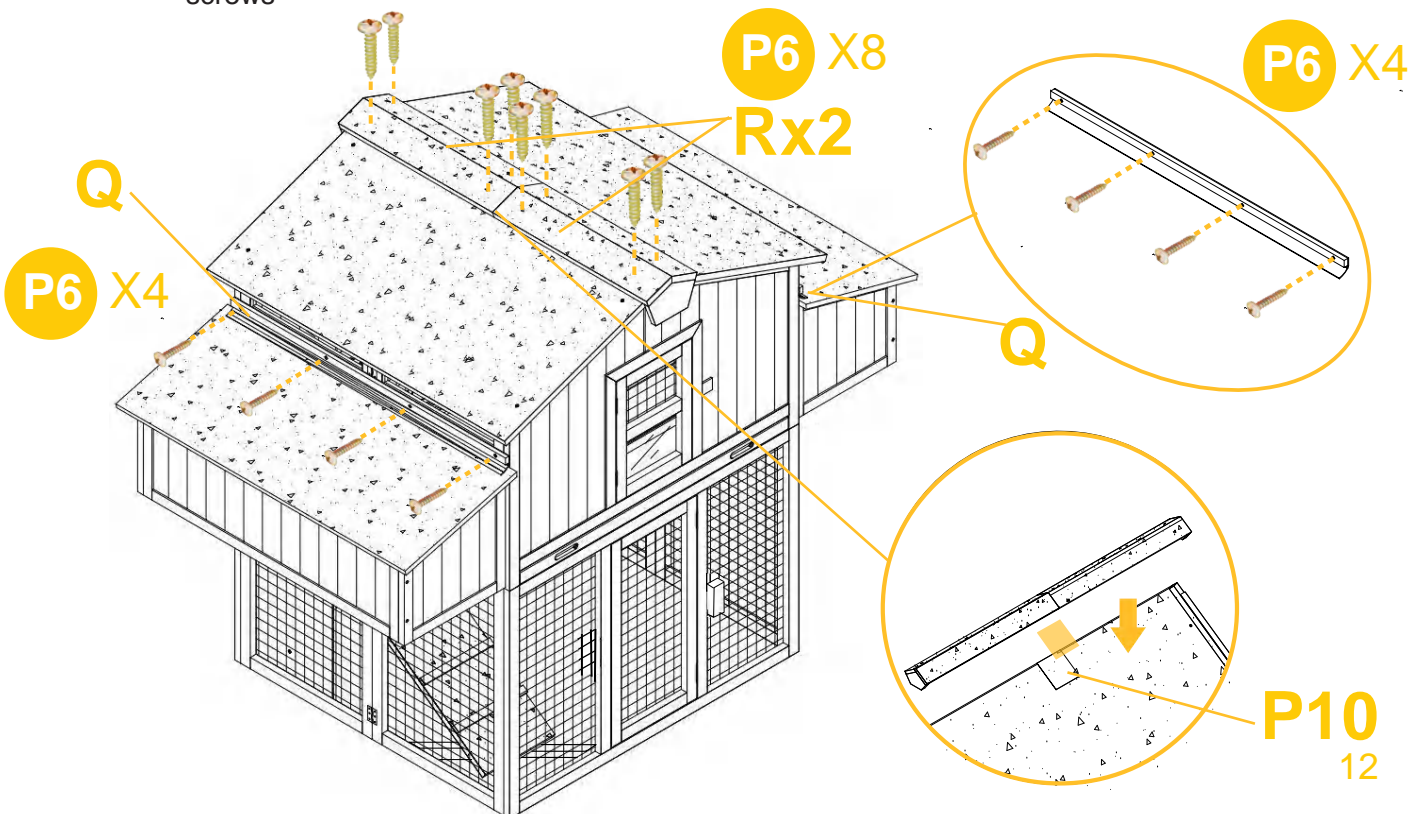


PRODUCT ASSEMBLY

12 Attach the coop roof Part P by 8XP4 screws.



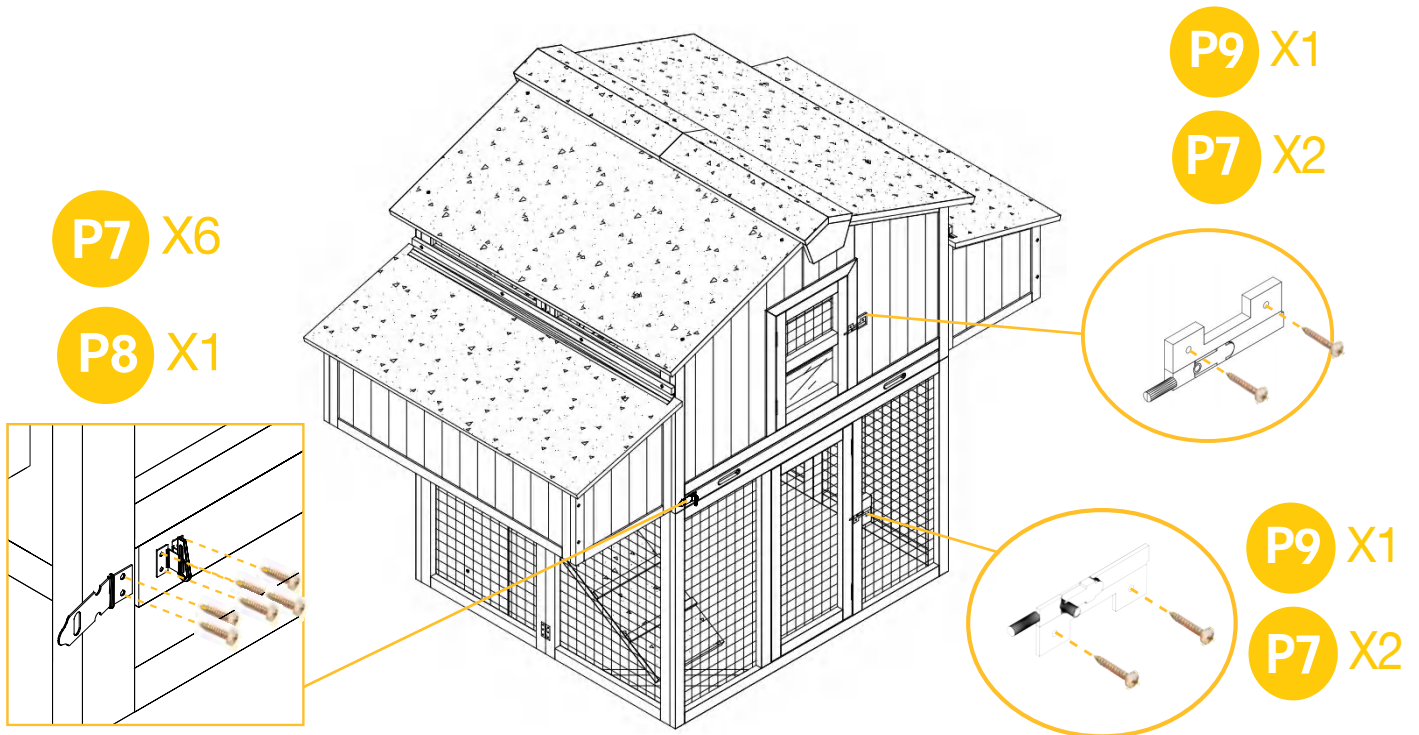
13 Attached PVC Waterproof Strip Part Q to the nesting box by 4XP6 screws each sides. Put the Waterproof pvc P10 in the connection position of 2 roof cap to avoid the water leakage. Ensure top roof panels line up with each other before screwing the cap 2XPart R by 8XP6 screws



PRODUCT ASSEMBLY

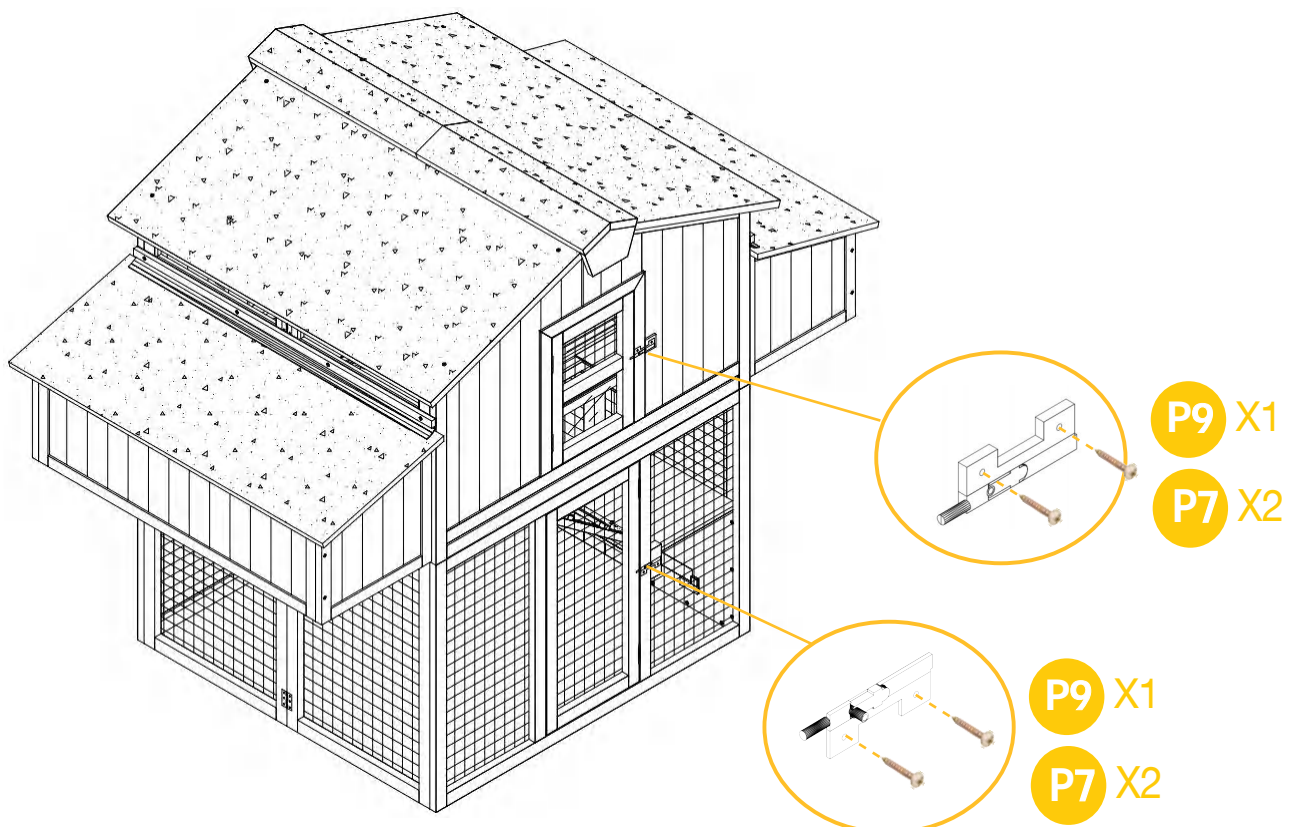
14

Attach the latch P8 to the front tray by 6xP7 screws
Attach the spring latch P9 to the two front doors by 2xP7 screws each latches.
(Notice the direction of latch)



15

Attach the spring latch P9 to the two back doors by 2xP7 screws each latches.
(Notice the direction of latch)

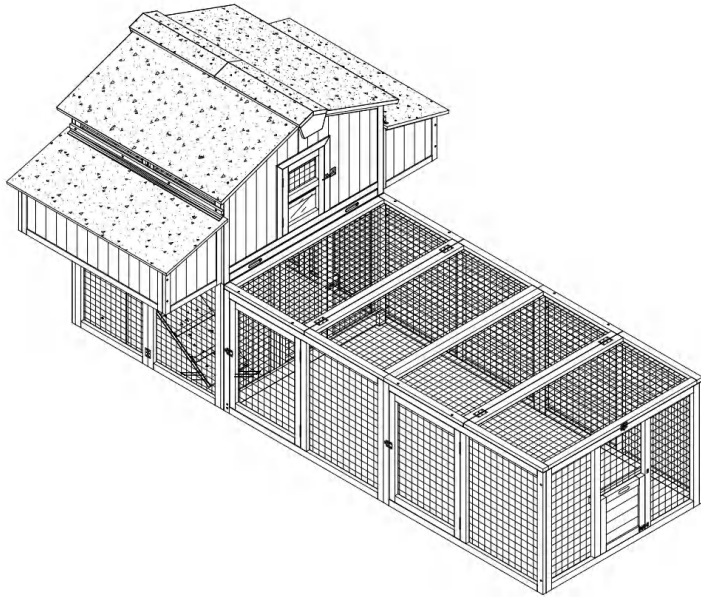


Notice

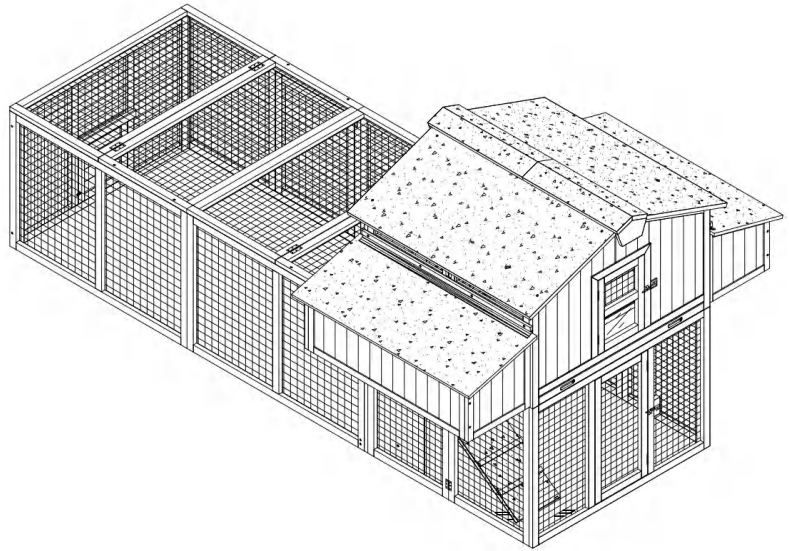
Read Before Assemble!

The below steps are for chicken coop & run combination by 4xP2 screws each sides. If you do only buy one chicken coop ,pls ignore the following.

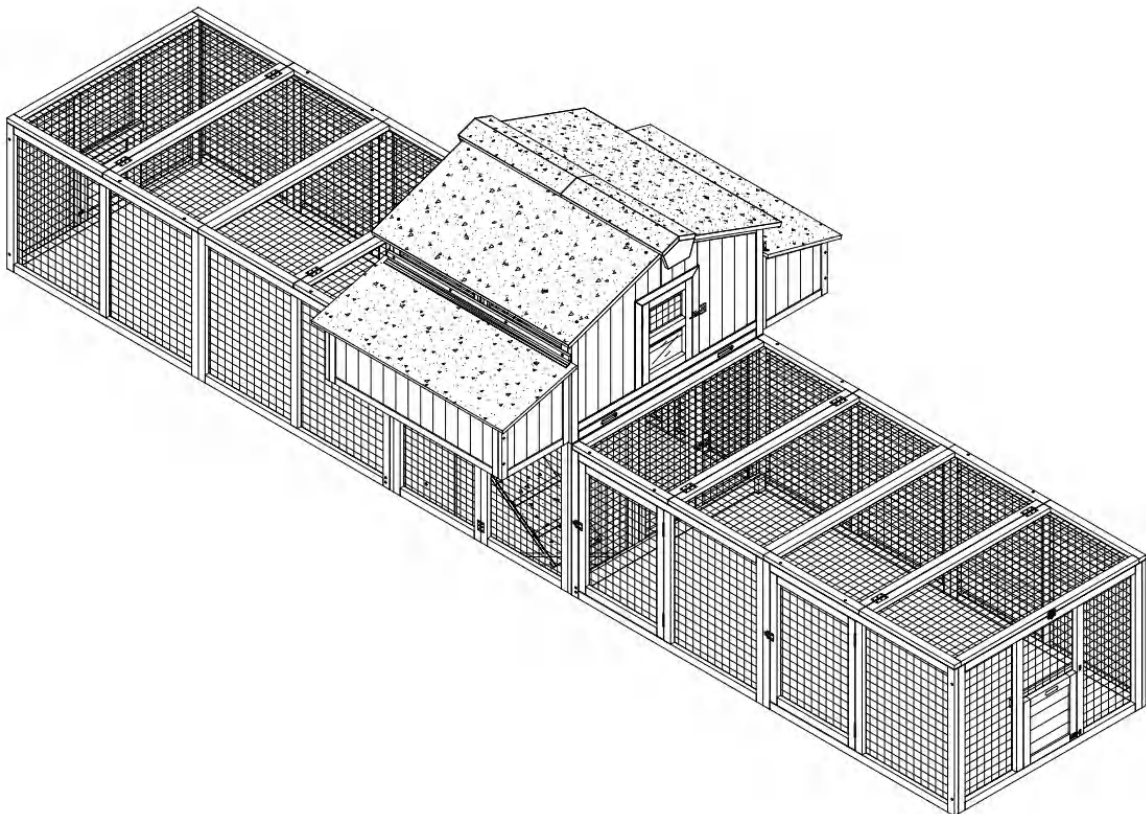
Combination 1



Combination 2



Combination 3



Finish



WARNING

Manufacturer and seller expressly disclaim any and all liability for personal injury, property damage or loss, whether direct, indirect, or incidental, resulting from the incorrect attachment, improper use, inadequate maintenance, or neglect of this