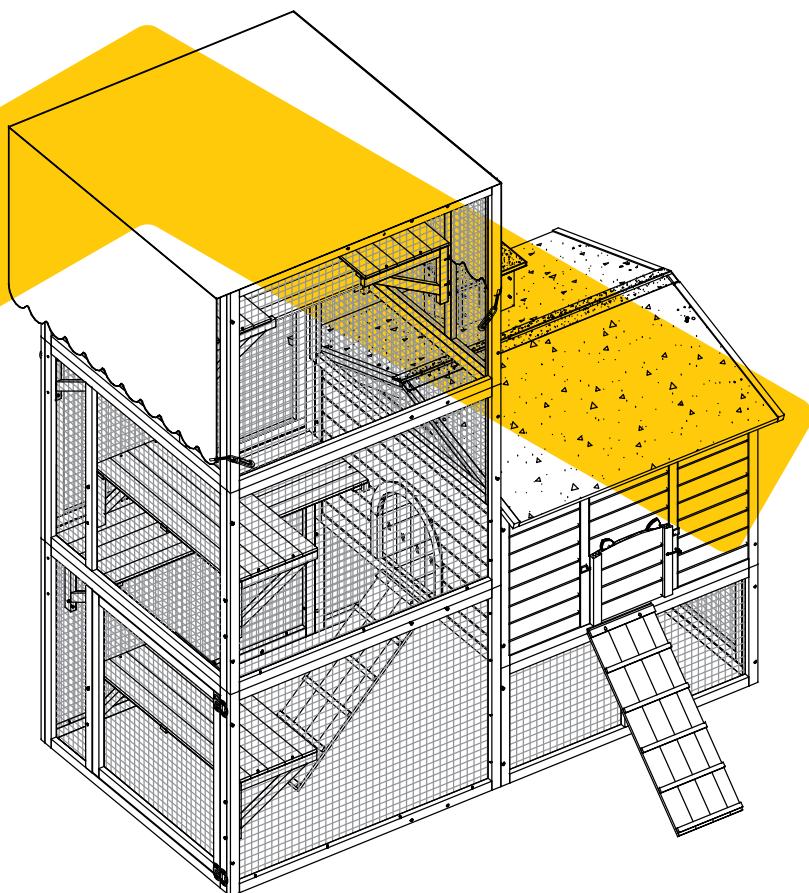


INSTRUCTION MANUAL

AIR 82



aivituvin

www.aivituvin.com



NOTICE

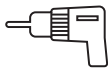
Please retain these instructions for future reference.

- Firmly secure all bolts,screws and knobs before use.
- Reconfirm that all bolts,screws,and knobs are secure every 90 days.
- Fasten screws loosely during initial assembly. Do not fully tighten screws until the item is completely assembled.
- Do not use or store this item in the proximity of open flame or flammable/combustible chemicals.
- Be aware that some parts are heavy and have sharp edges.
- Be aware that moving parts can injure,crush and cut.
- If any parts are missing,broken,damaged,or worn,stop using this product until repairs are made and/or factory replacement parts are installed.
- Do not use this item in a way inconsistent with the manufacturer's instructions as this could void the product warranty.

TOOLS REQUIRED //



PHILLIPS
SCREWDRIVER



DRILL
(RECOMMENDED)



2PERSON
ASSEMBLY



APPROXIMATELY
120MIN. ASSEMBLY

HARDWARE //

M6.0x60mm BOLT
4PCS



P1

M6.0x50mm BOLT
6PCS



P2

M3.5x60mm SCREW
36PCS+1spare



P3

M3.5x45mm SCREW
60PCS+1spare



P4

M3.5x35mm SCREW
30PCS+1spare



P5

M3.5x30mm SCREW
4PCS+1spare



P6

M3.0x30mm SCREW
28PCS+1spare



P7

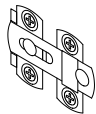
M3.0x14mm SCREW
24PCS+1spare



P8

HARDWARE

Latch
6PCS



P9

Hook
2PCS



P10

Eye hook
12PCS

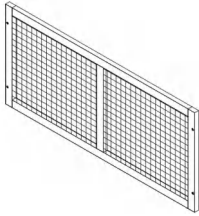


P11

PARTS

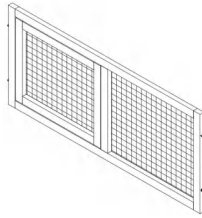
CARTON 1/3

Lower panel of house -
front & back
2PCS



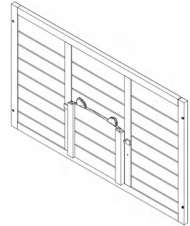
B

Lower right panel of house
1PC



C

Upper panel of house -
front & back
2PCS



E

Layer
2PCS



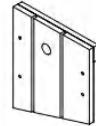
F

Right panel of chimney
1PC



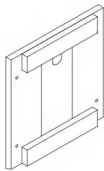
J1

Left panel of chimney
1PC



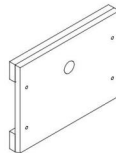
J2

Front panel of chimney
1PC



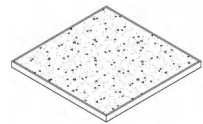
K1

Back panel of chimney
1PC



K2

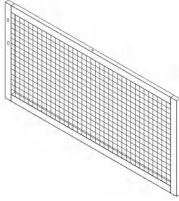
Roof of chimney
1PC



L

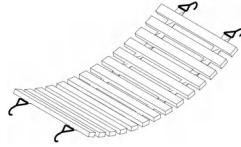
PARTS

Right panel of run- 2nd floor
1PC



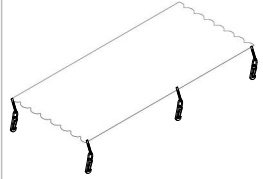
Q

Bridge
2PCS



Y

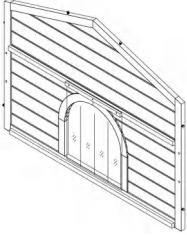
Waterproof Cover
1PC



Z

CARTON 2/3

Upper left panel of house
1PC



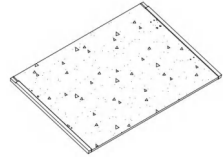
A

Upper right panel of house
1PC



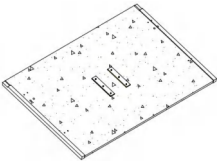
D

House roof- left
1PC



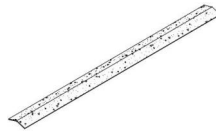
G1

House roof- Right
1PC



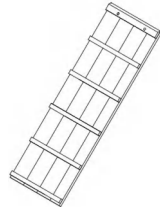
G2

Roof cap
1PC



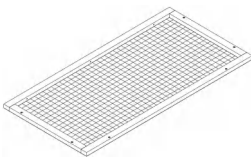
H

Ramp
1PC



I

Roof of run
2PCS

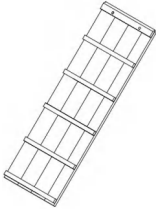


X

PARTS

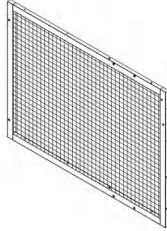
CARTON 3/3

Ramp
2PCS



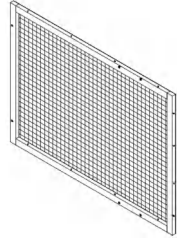
I

Back panel of run- 1st floor
1PC



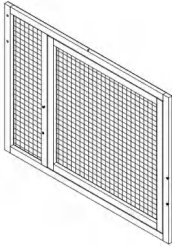
M1

Front panel of run- 1st floor
1PC



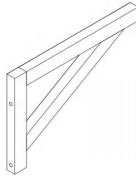
M2

Left panel of run- 1st floor
1PC



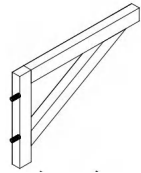
N

Layer supporting bar
4PCS



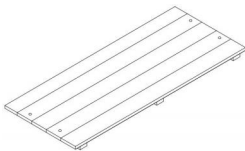
O1

Layer supporting bar with
dowel
8PCS



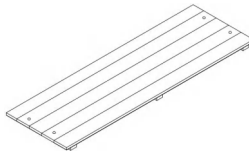
O2

Short Layer
4PCS



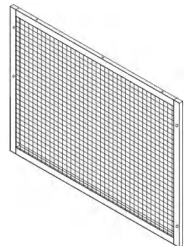
P1

Long Layer
2PCS



P2

Front panel of run- 2nd floor
1PC

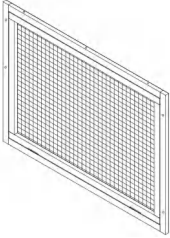


R

PARTS

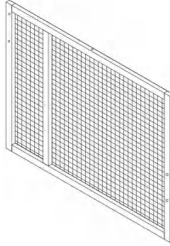
CARTON 3/3

Back panel of run- 2nd floor
1PC



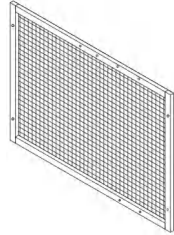
S

Left panel of run- 2nd floor
1PC



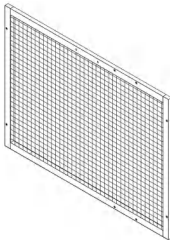
T

Back panel of run- 3th floor
1PC



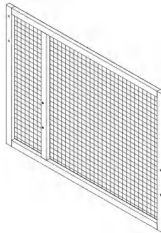
U

Front panel of run- 3th floor
1PC



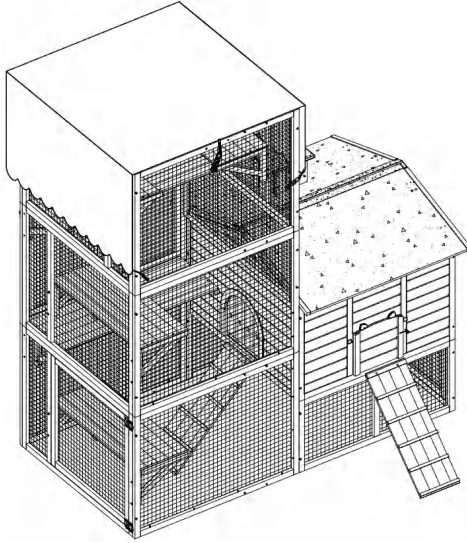
V

Left / Right panel of run-
3th floor
2PCS



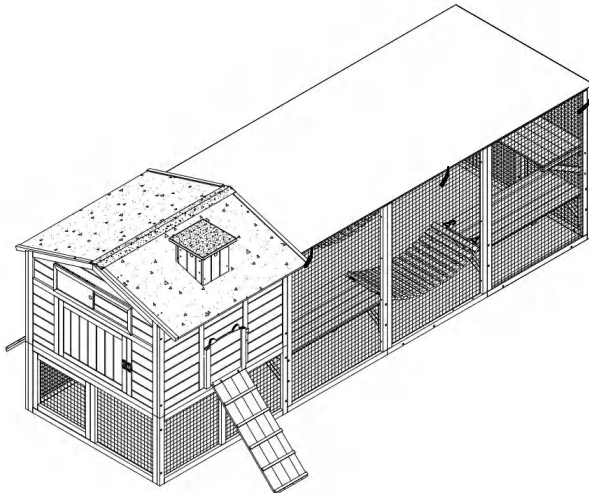
W

Option 1



From Step1-22 is for Optional 1

Option 2

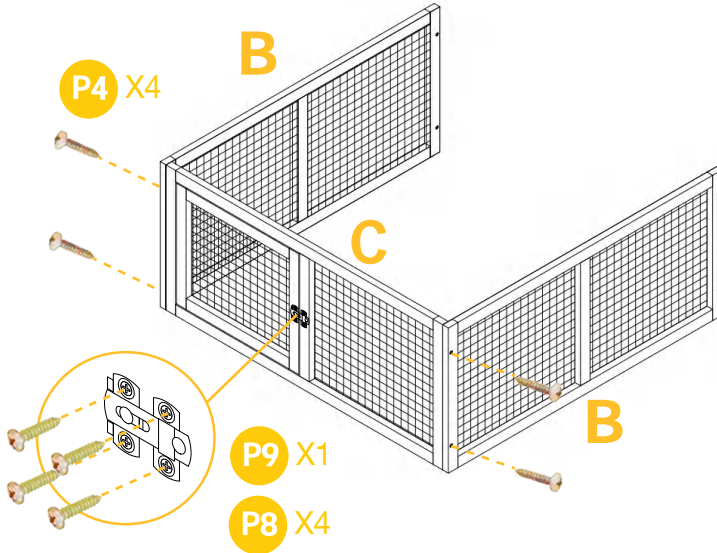


From Step23-35 is for Optional 2

PRODUCT ASSEMBLY //

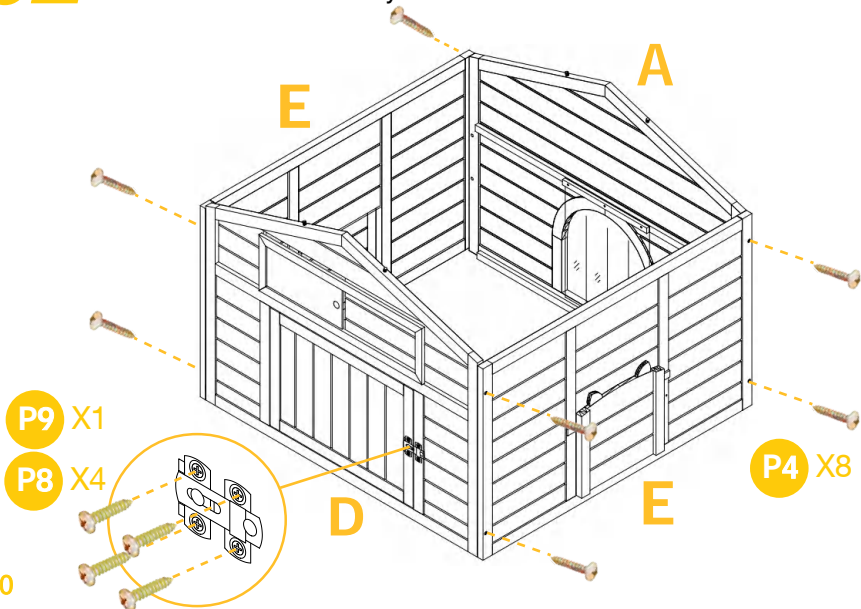
01

Connect the Part B, C by 4xP4.
Attach the latch P9 by 4xP8.



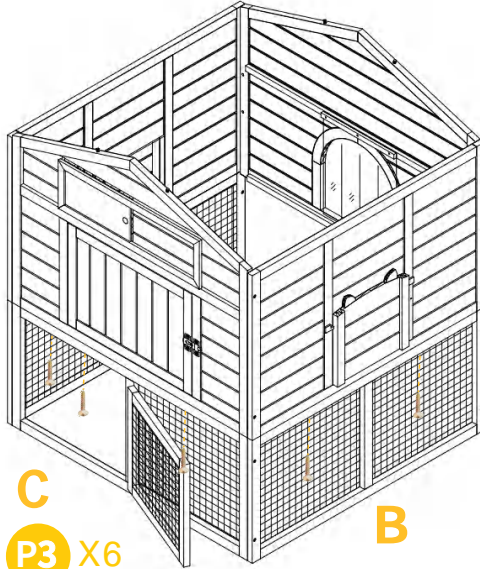
02

Connect the Part A, D and E by 8xP4.
Attach the latch P9 by 4xP8.

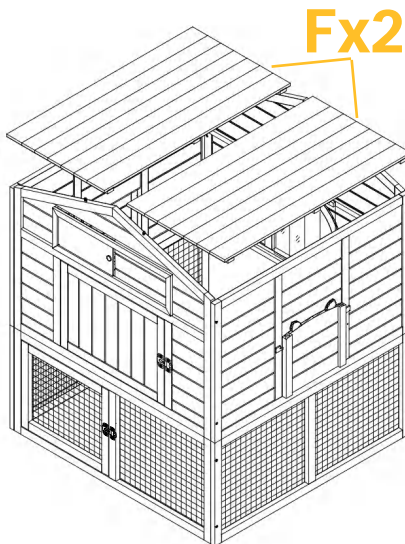


PRODUCT ASSEMBLY //

03 Connect the lower panel Part B, C to the upper house by 6x3.

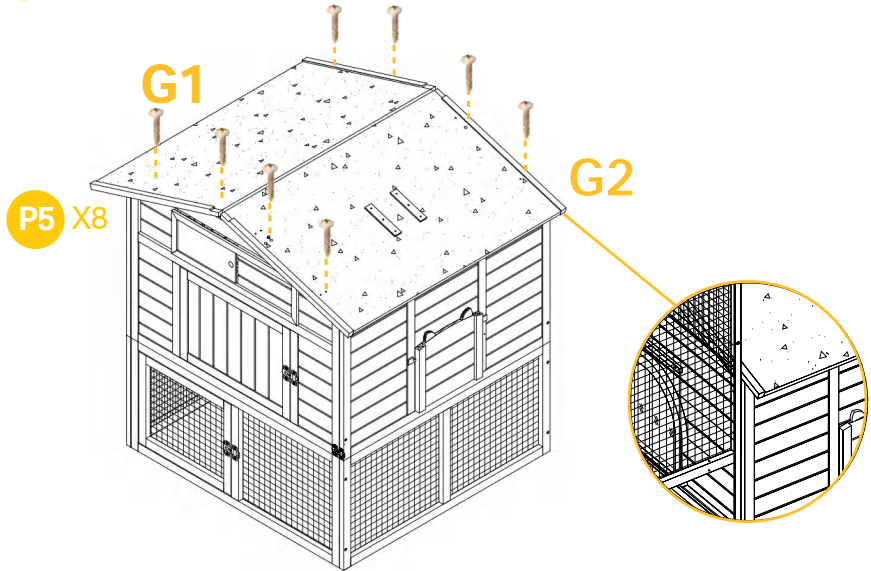


04 Put in 2pcs of the Layer Part F.

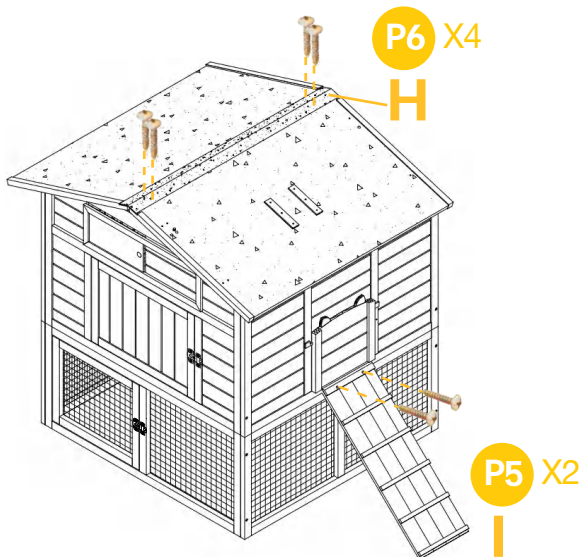


PRODUCT ASSEMBLY

- 05** Attach the roof G1, G2 to the house by 8xP5.
(Notice the eaves should keep in line with part A)



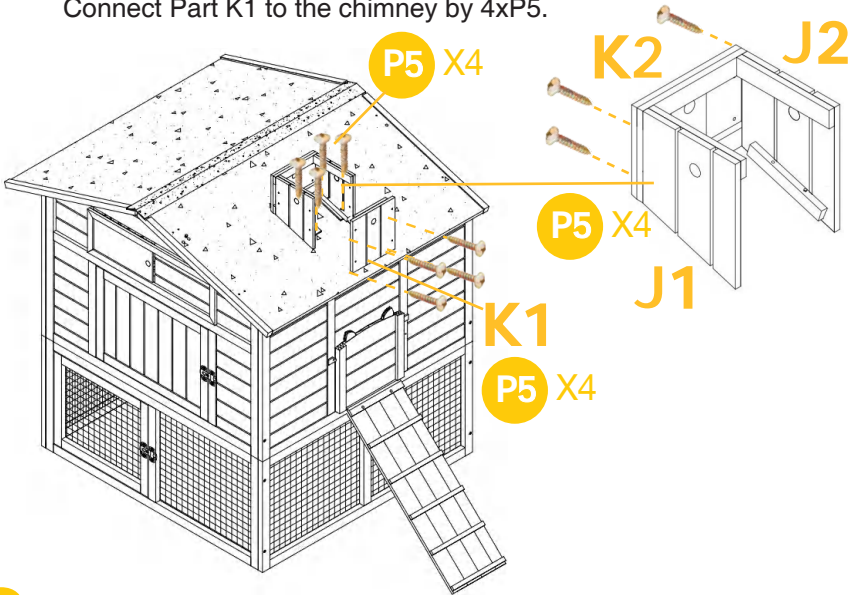
- 06** Attach the roof cap Part H by 4xP6.
Screw the ramp I by 2xP5.



PRODUCT ASSEMBLY //

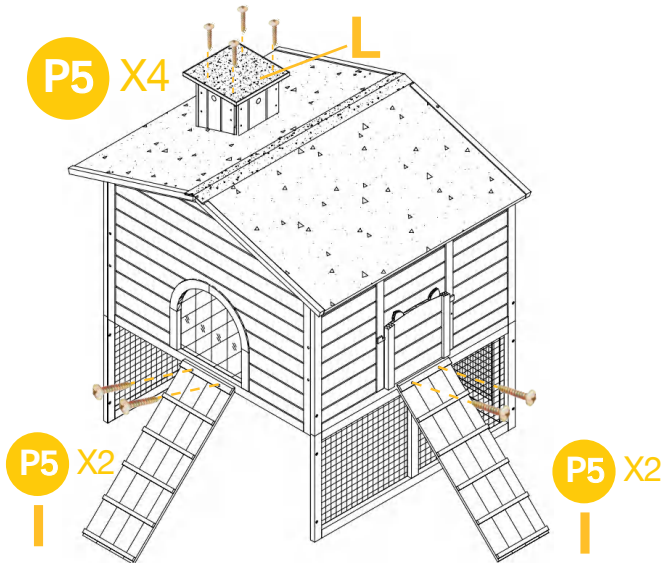
07

Connect the Part K2, J1, J2 by 4xP5.
Screw the chimney to the roof by 4xP5.
Connect Part K1 to the chimney by 4xP5.



08

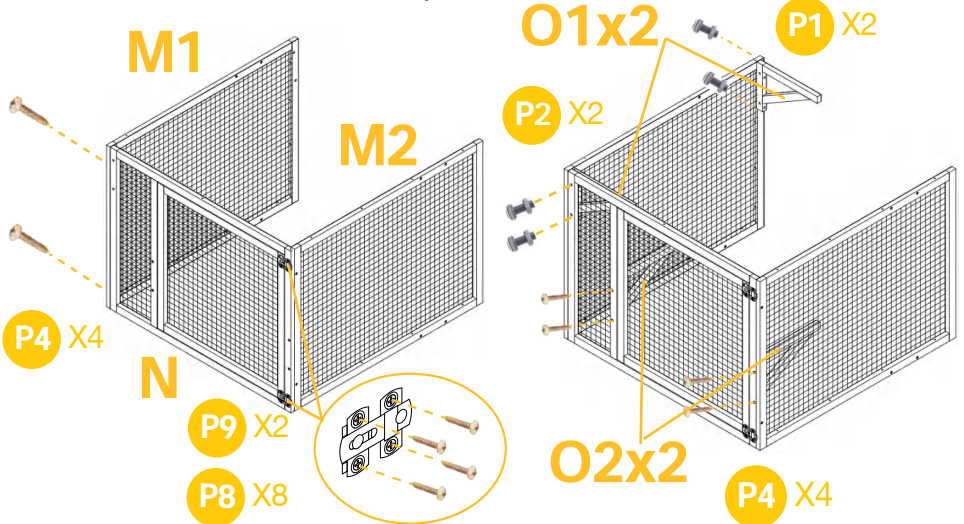
Attach the roof Part L by 4xP5 to complete the chimney.
Attach the ramp Part I by 2xP5 on each side.
From Step 9-10 is the assemble for 1st floor of the run.



PRODUCT ASSEMBLY //

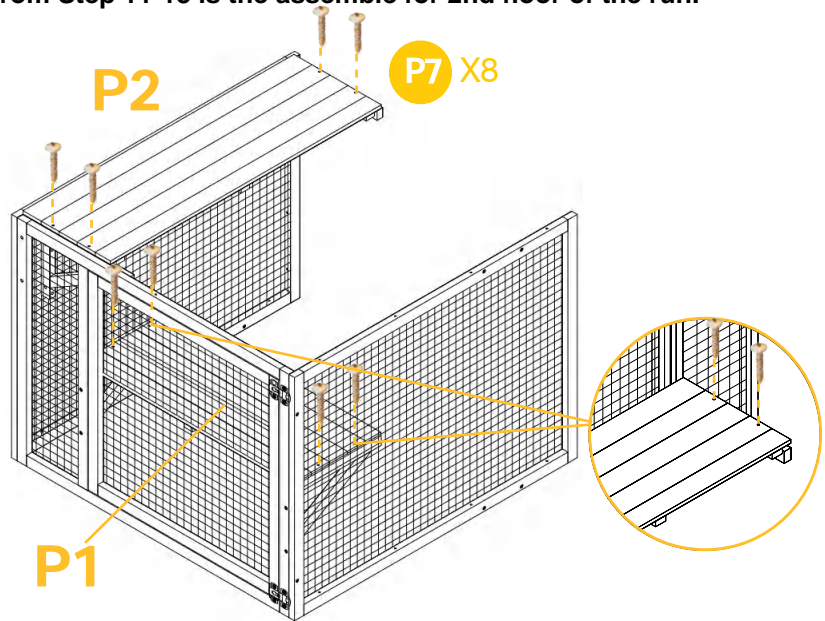
09

Connect the Part M1, M2 and N by 4xP4.
Attach the latch P9 by 4xP8 on each position.
Attach O1 to Part M1 by 2xP1, Attach the other O1 by 2xP2.
Attach O2 to Part N by 2xP4 on each side.



10

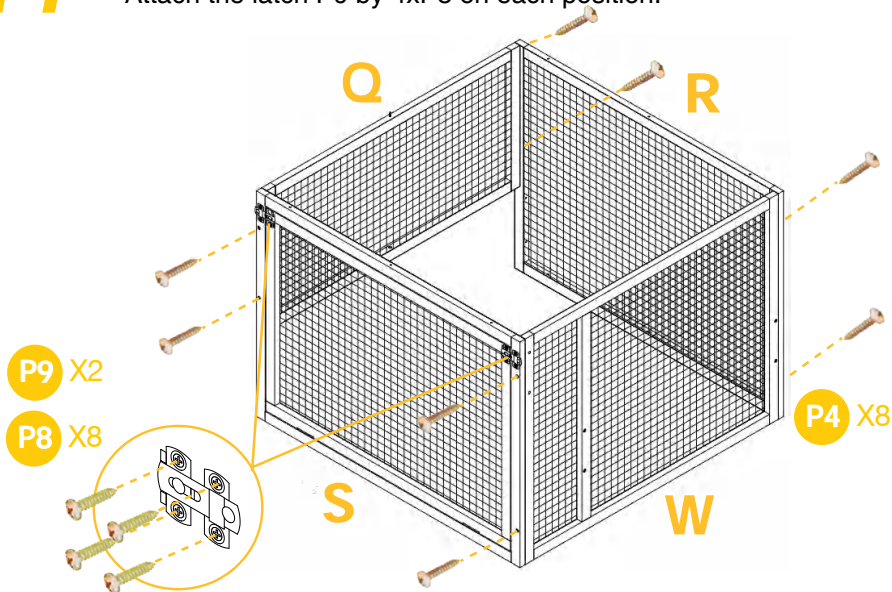
Attach the Long layer P2 to the shelf of Part M1, Short layer P1 to to the shelf of Part N by 8xP7.
From Step 11-13 is the assemble for 2nd floor of the run.



PRODUCT ASSEMBLY //

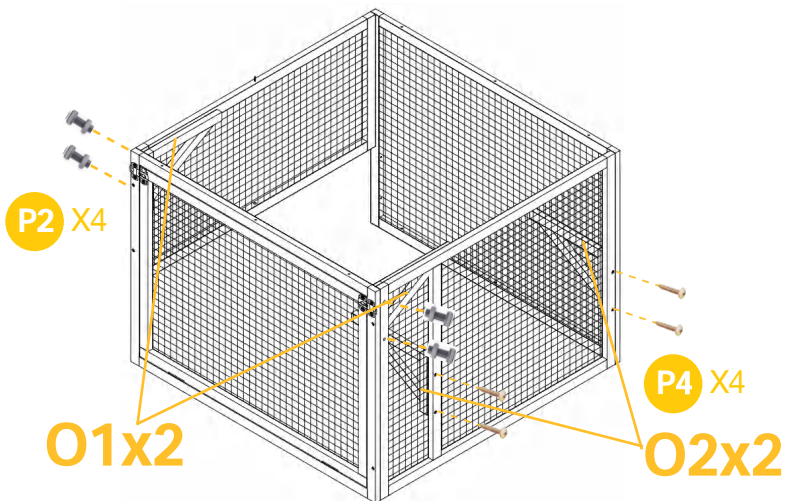
11

Connect the second floor of the run Part Q, R, S, W by 8xP4.
Attach the latch P9 by 4xP8 on each position.



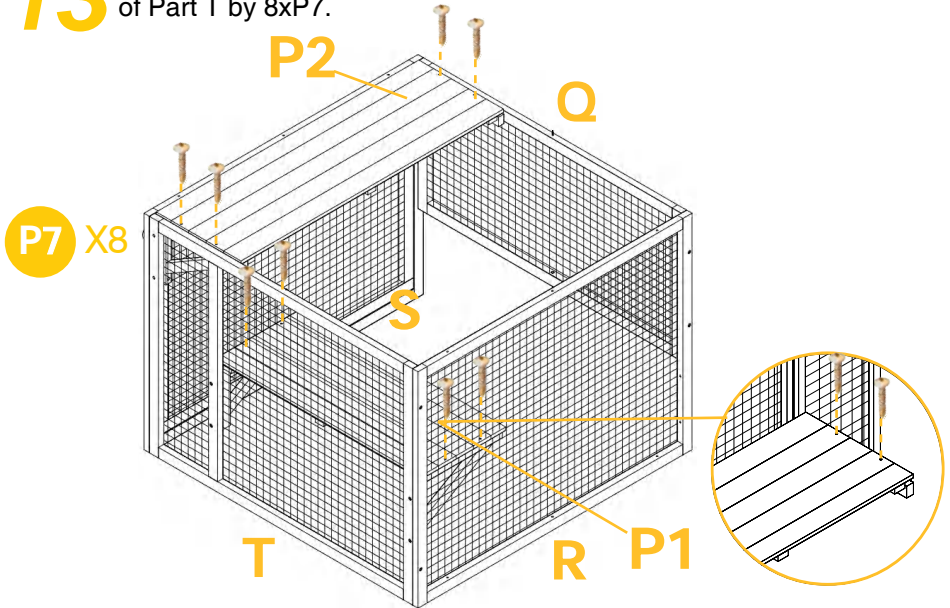
12

Attach Part O1 to Part S by 2xP2 on each side.
Attach Part O2 to Part T by 2xP4 on each side.

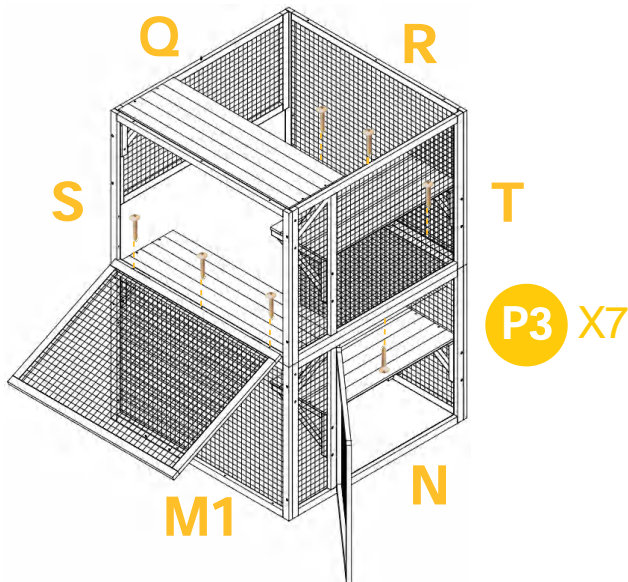


PRODUCT ASSEMBLY //

- 13** Attach the Long layer P2 to the shelf of Part S, Short layer P1 to the shelf of Part T by 8xP7.

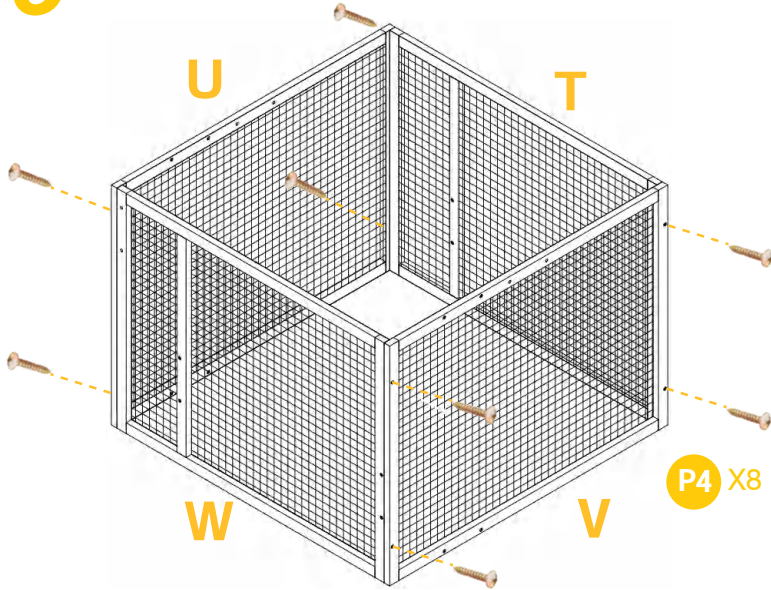


- 14** Connect the 1st floor with the 2nd floor by 7xP3. From Step 15-18 is the assemble for 3rd floor of the run.

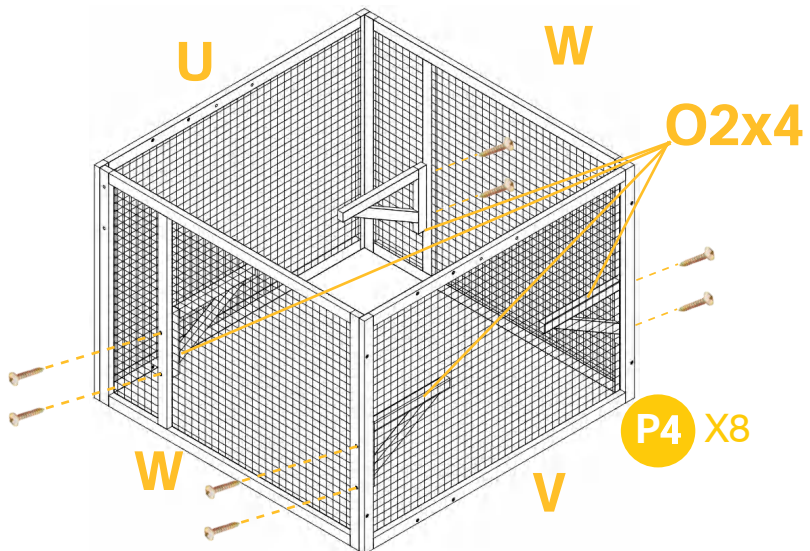


PRODUCT ASSEMBLY //

15 Connect Part U,V,T by 8xP4.

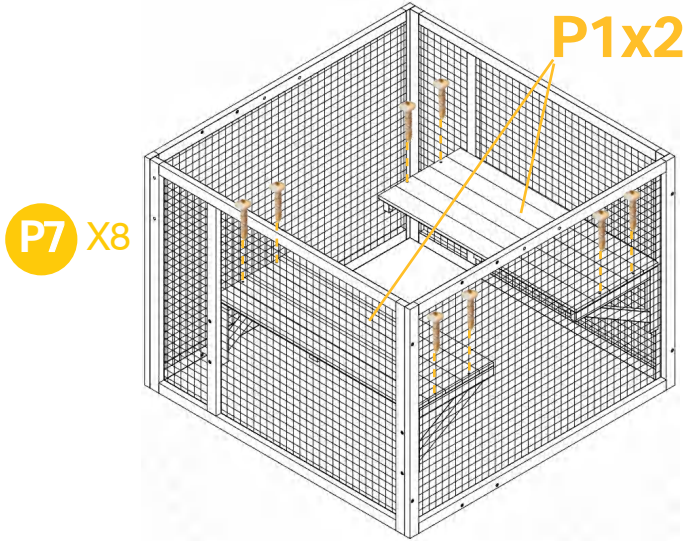


16 Attach the layer supporting bar O2 by 8xP4.

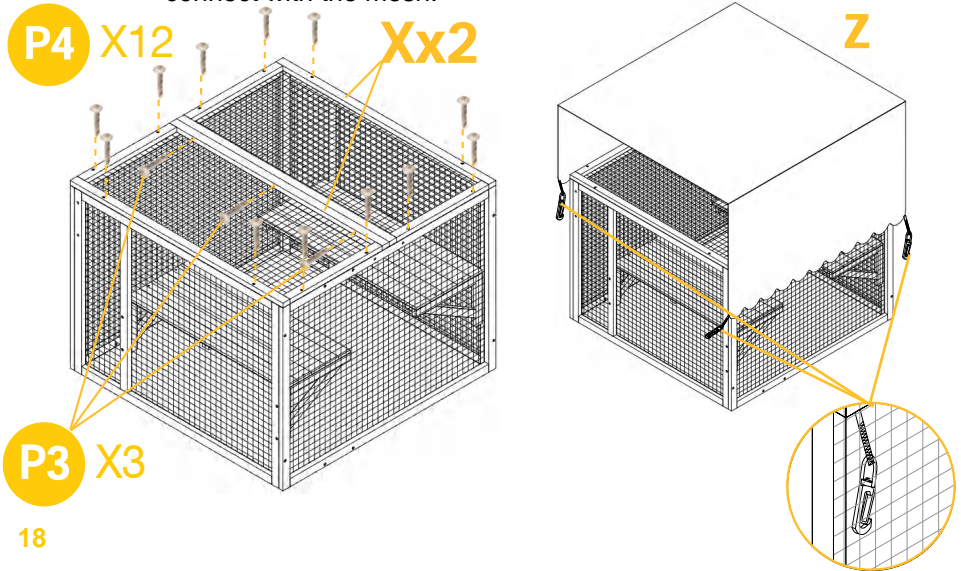


PRODUCT ASSEMBLY //

17 Attach the short layer P1 by 8xP7.

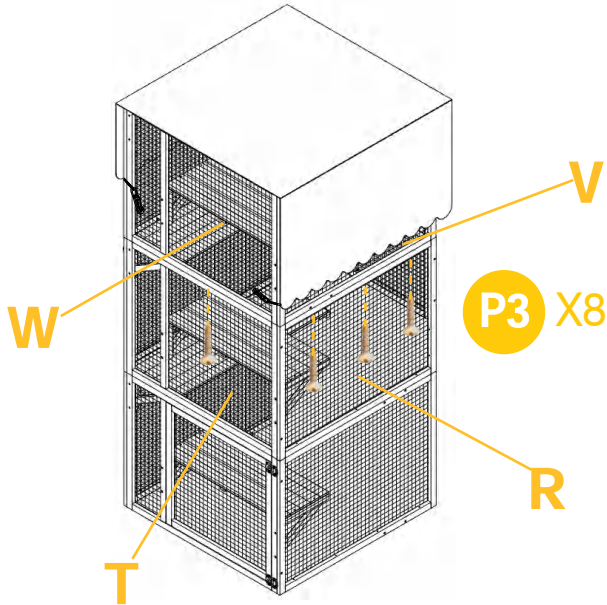


18 Attach Part X to complete the 3rd floor of the run by 12xP4. Connect two Part X together by 3xP3. Cover the Part Z to the top of the run, there are hooks on Part Z to connect with the mesh.

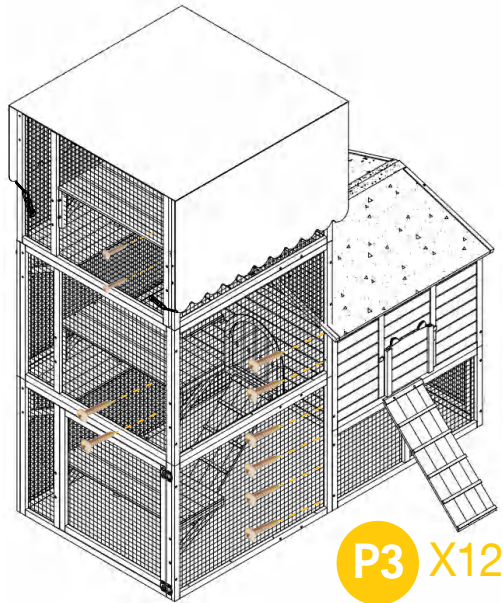


PRODUCT ASSEMBLY //

19 Connect the 2nd floor with the 3rd floor by 8xP3.



20 Connect the run with the house by 6xP3 on each side.

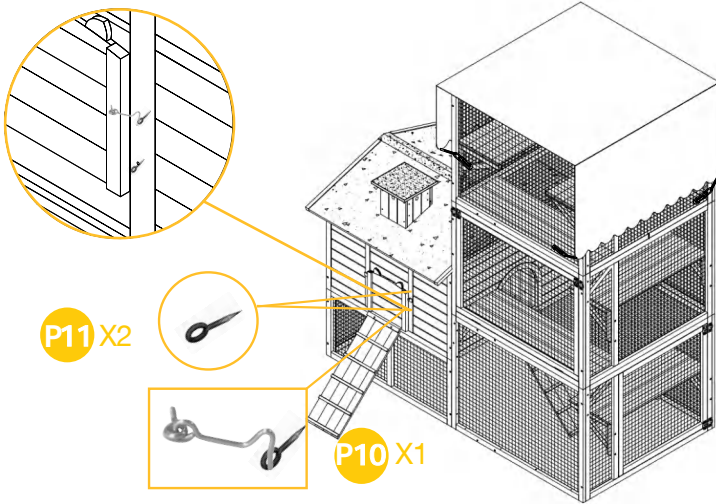


PRODUCT ASSEMBLY //

21

Drill the two pcs of P11 into the door frame of Part E, there are two pre-drilled holes.

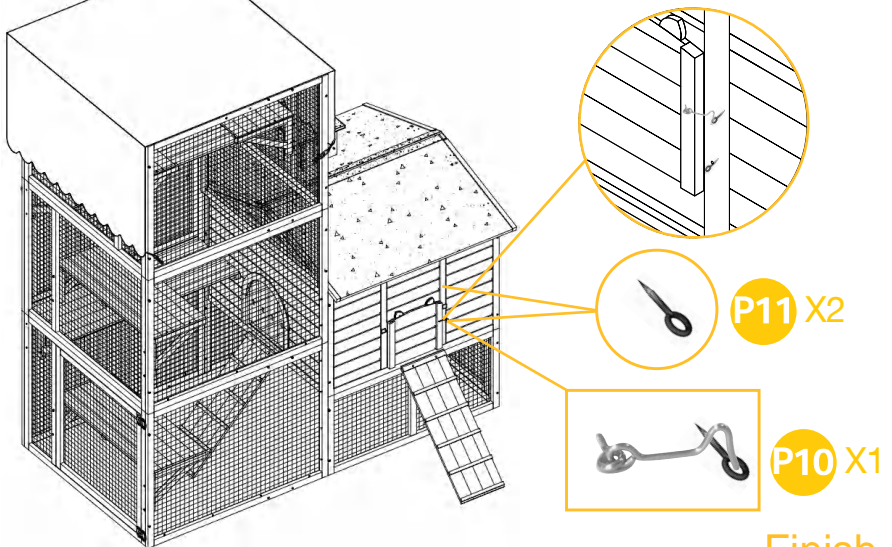
Drill the P10 into the door, there are pre-drilled hole on the door.



22

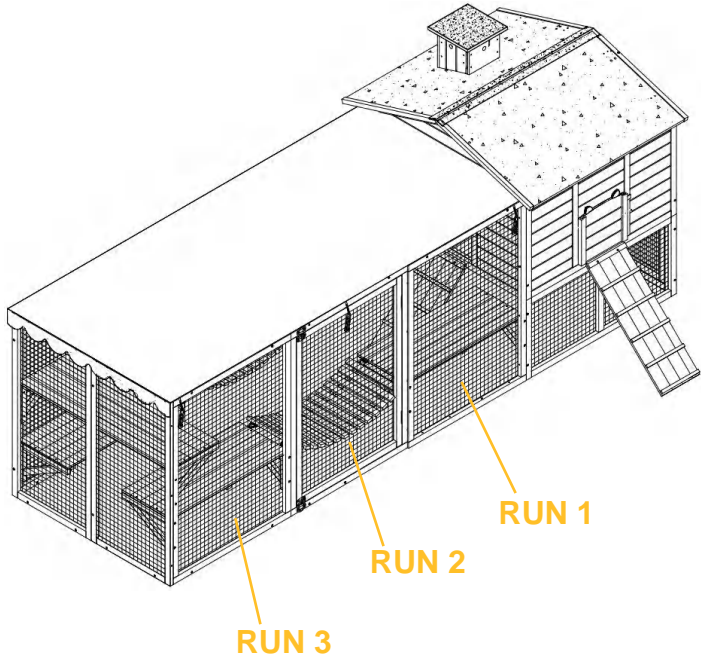
Repeat from Step 21 on the other side of the house.

Please kindly note that the Part Y have no use in the assemble of optional 1.



Finish

PRODUCT ASSEMBLY

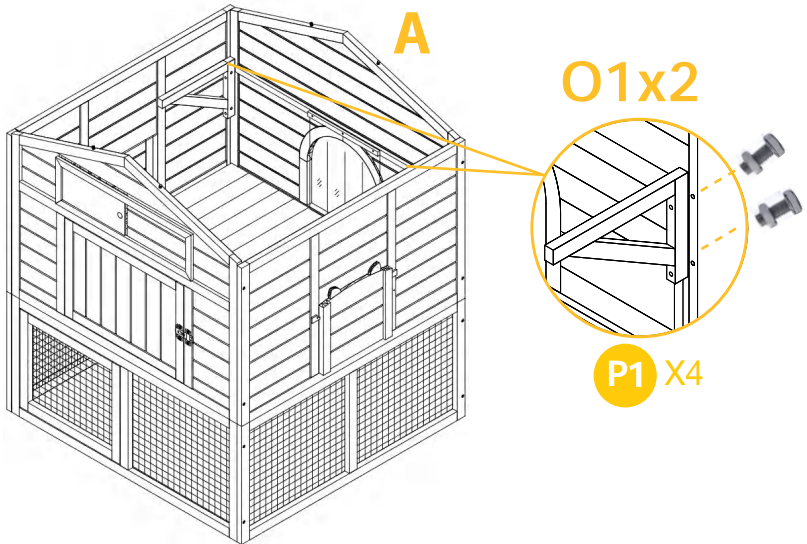


PRODUCT ASSEMBLY //

23

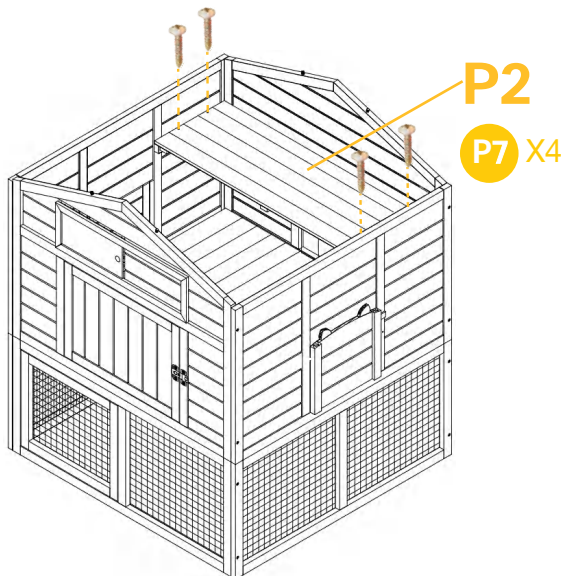
Let's start assemble for optional 2:

Please refer the Step1-4 from the Style 1, it is exactly the same.
Attach Part O1 to Part A by 2xP1 on each side.



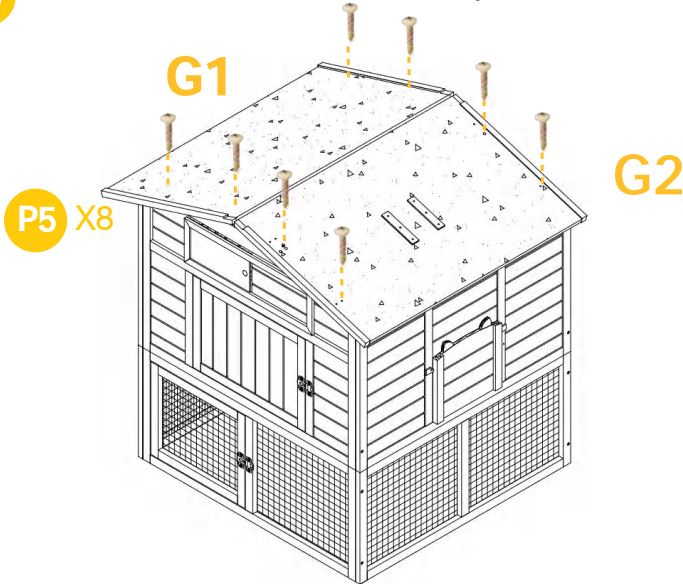
24

Attach the P2 on O1 by 4xP7.



PRODUCT ASSEMBLY //

25 Attach the roof G1, G2 to the house by 8xP5.

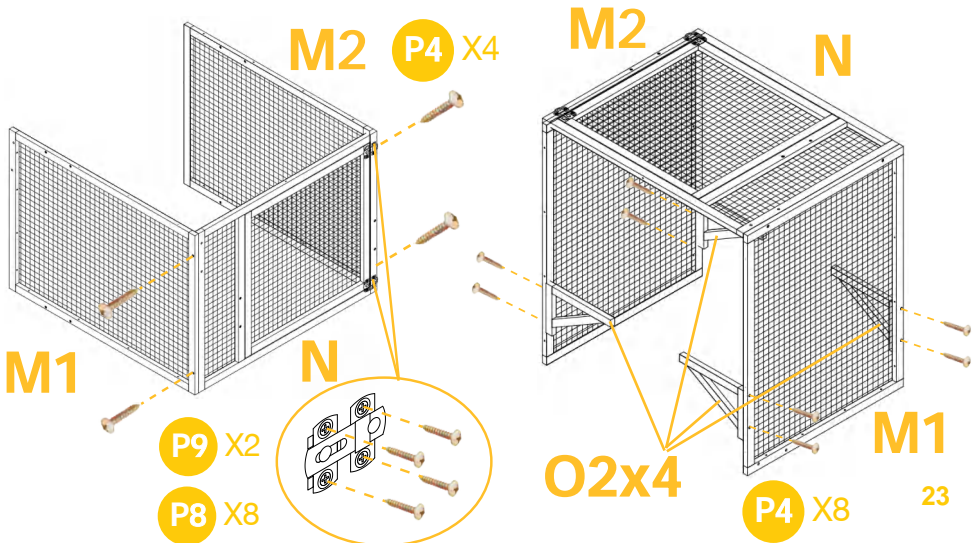


26 Please refer the Step 6-8 from the Style 1, it is exactly the same. **From Step 26-27 is the assemble for RUN 1.**

Connect Part M1, M2, N by 4xP4.

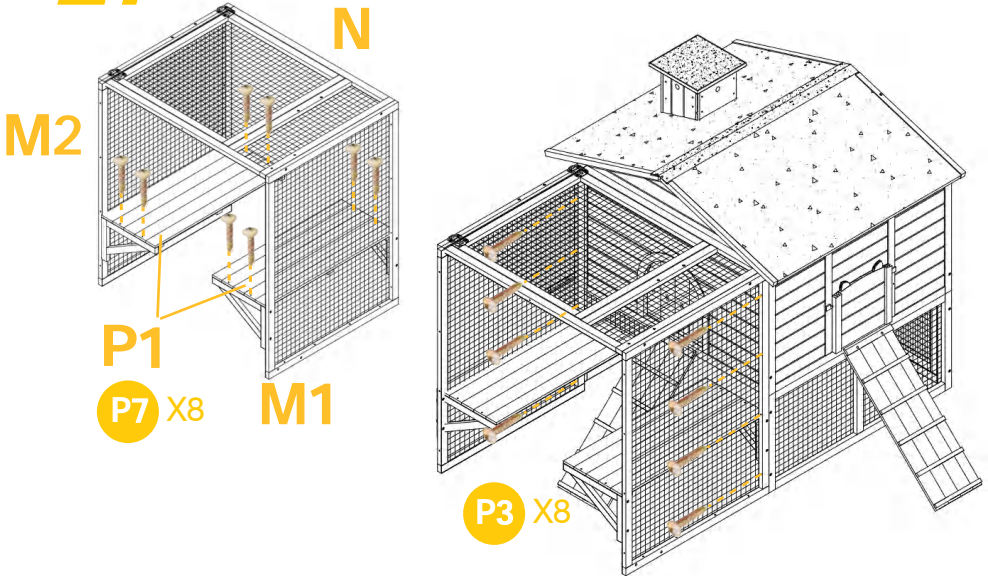
Attach the latch P9 by 4xP8 on each position.

Stand it up and then attach 4pcs of O2 to M1&M2 by 4xP4 on each side.

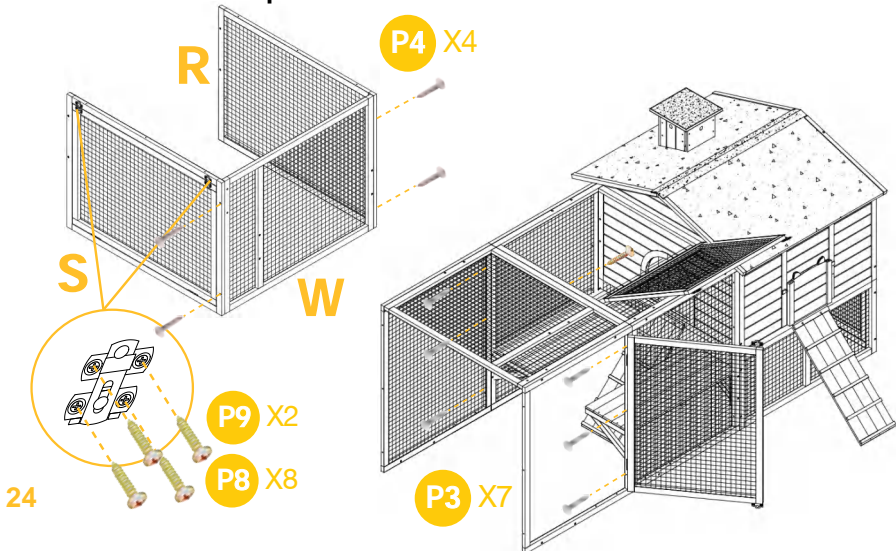


PRODUCT ASSEMBLY //

27 Attach the Two short layer P1 to Part M1, M2 by 4xP7 on each side .
Connect the RUN 1 with the house by 4xP3 on each side.



28 This Step is the assemble for RUN 2.
Connect Part S,W, R by 4xP4.
Attach the latch P9 by 4xP8 on each position.
Connect the RUN 2 with RUN 1 by 7xP3.
From Step 29-30 is the assemble for RUN 3.



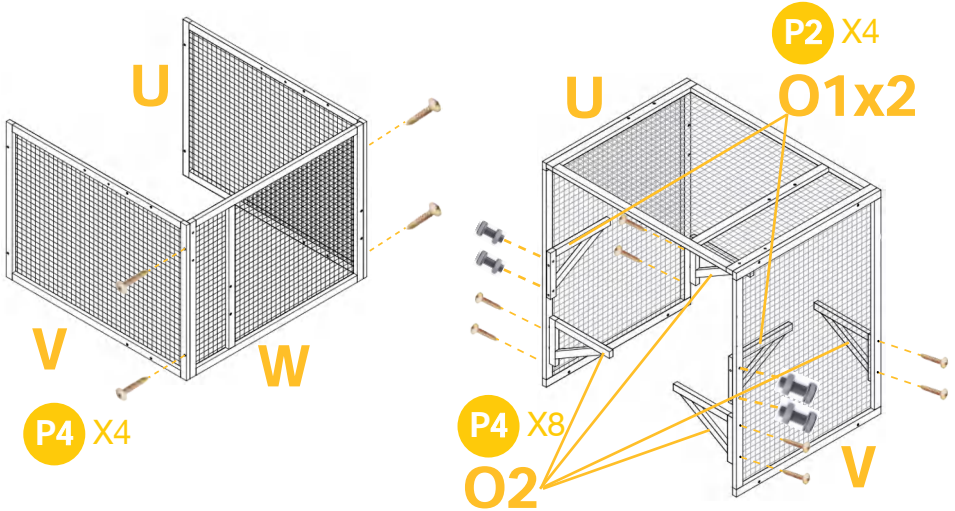
PRODUCT ASSEMBLY //

29

Connect Part U,W,V by 4xP4.

Stand it up and then attach 4pcs of O2 to the lower part by 8xP4.

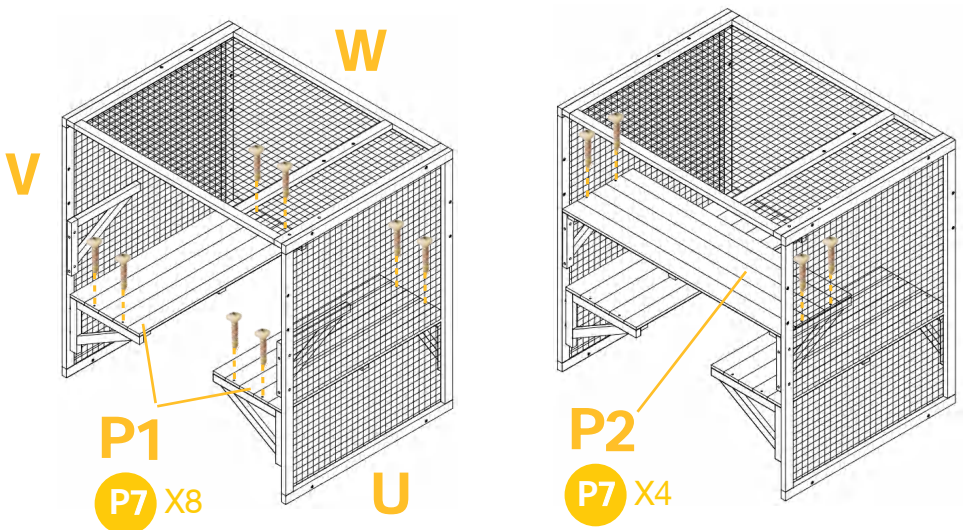
Use Bolt P2 to attach 2pcs of O1 on the **upper** part, please notice to the direction.



30

Attach the Two short layer P1 to the shelf of Part U, V by 4xP7 on each side.

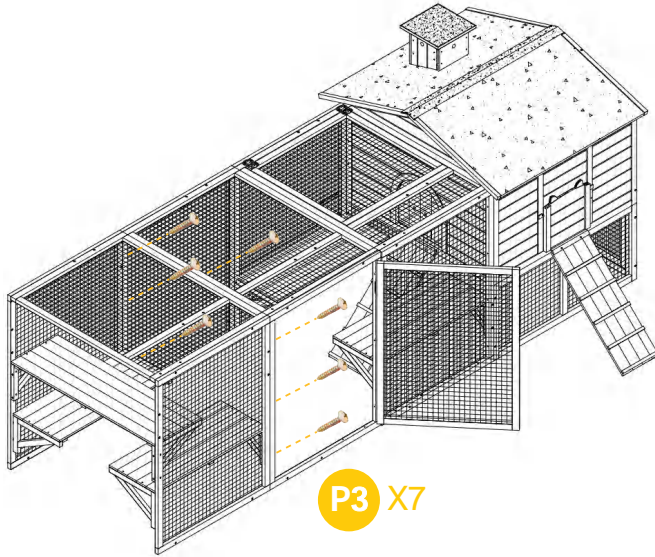
Attach the long layer P2 to the shelf of Part U, V by 2xP7 on each side.



PRODUCT ASSEMBLY //

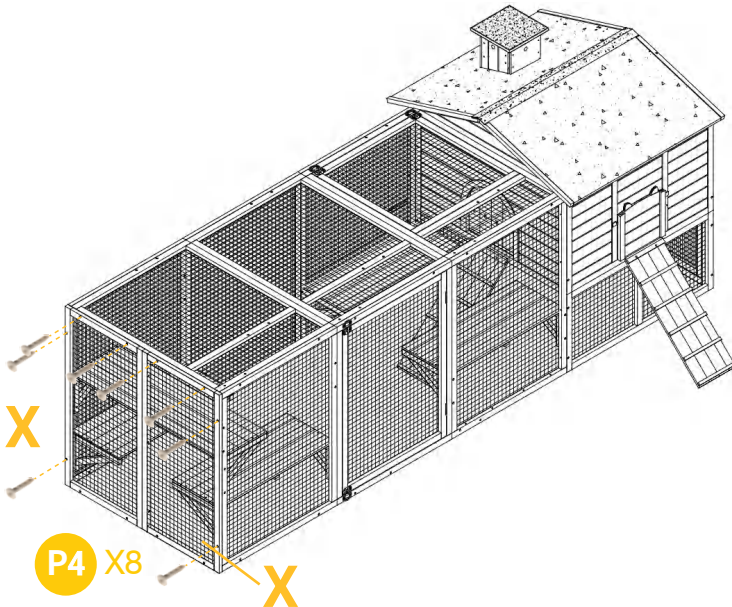
31

Connect the RUN 2 with RUN 3 by 7xP3.



32

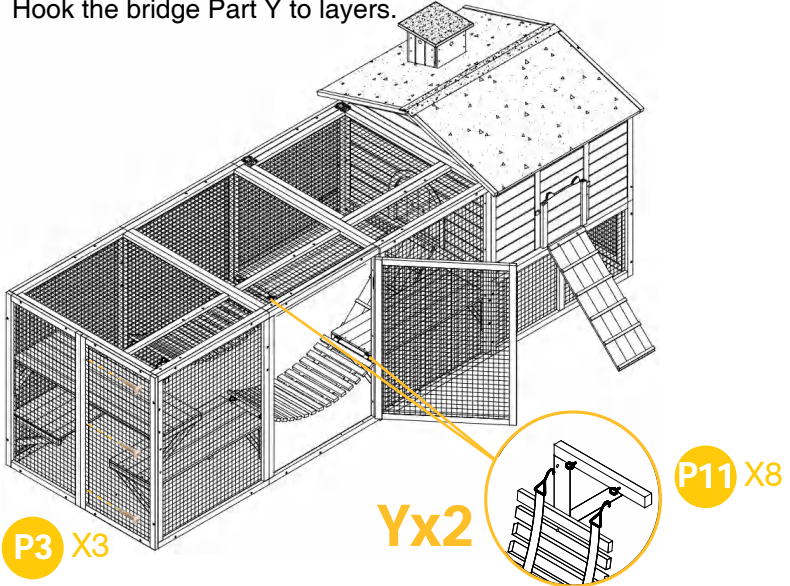
Attach 2pcs of Part X to complete the assemble of RUN 3 by 8xP4.



PRODUCT ASSEMBLY

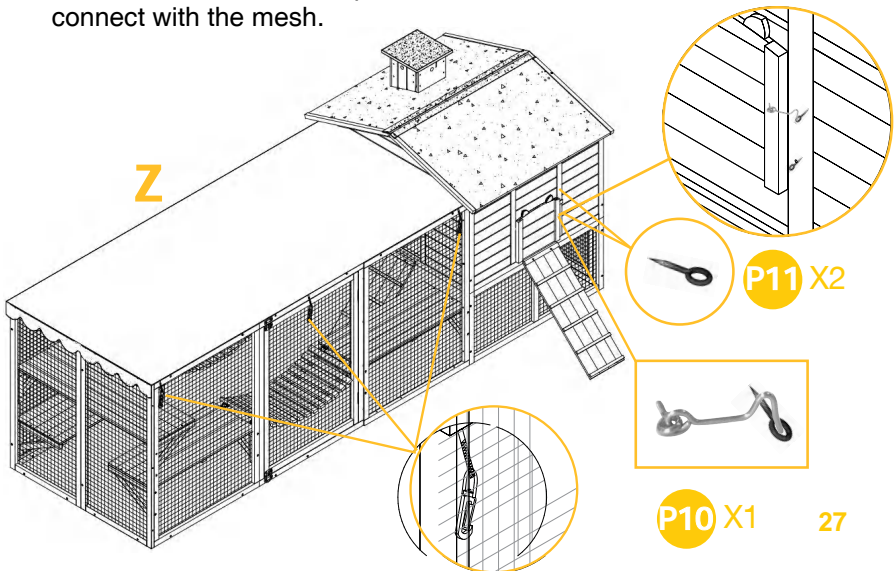
33

Drill 8 pcs of P11 into the layer supporting bar, there are pre-drilled holes.
Hook the bridge Part Y to layers.



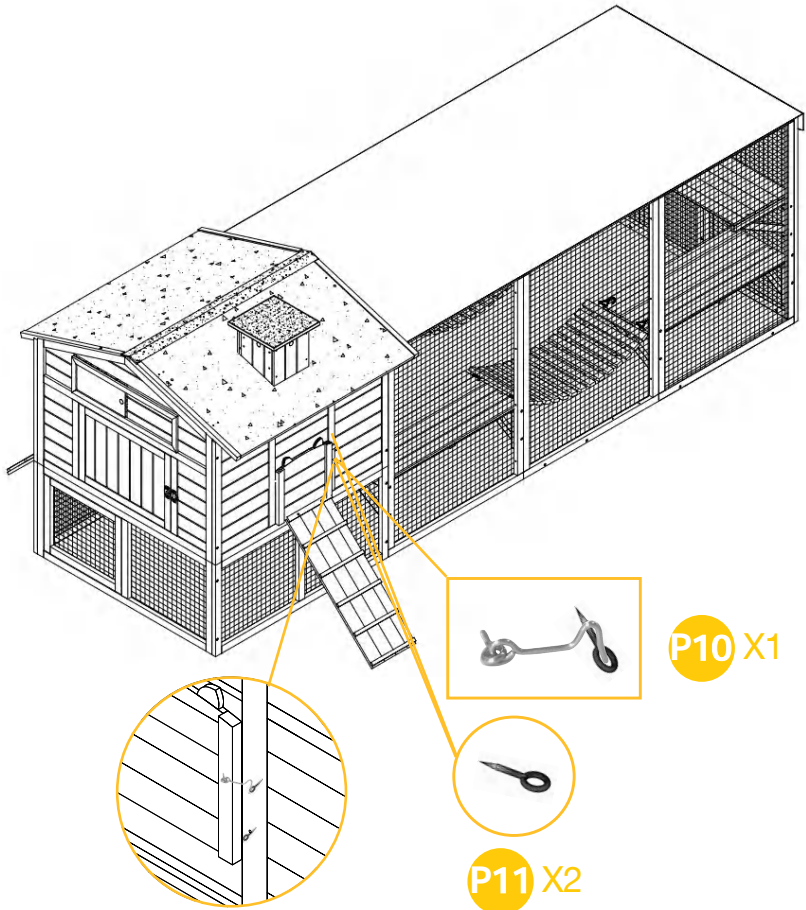
34

Drill the two pcs of P11 into the door frame of Part E, there are two pre-drilled holes.
Drill the P10 into the door, there are pre-drilled hole on the door
Cover the Part Z to the top of the run, there are hooks on Part Z to connect with the mesh.



PRODUCT ASSEMBLY //

35 Repeat from Step 34 on the other side of the house.
Please kindly note that the Part Q have no use in the assemble of optional 2.



Finish



WARNING

Manufacturer and seller expressly disclaim any and all liability for personal injury, property damage or loss, whether direct, indirect, or incidental, resulting from the incorrect attachment, improper use, inadequate maintenance, or neglect of this product.