

# Installation Instructions

## 1501150 11.5' Steel Ladder Rack 1501153 13.5' Steel Ladder Rack

Before installation please read and understand all instructions, illustrations and warnings. At least two people are necessary to install this rack.

**ASSEMBLY IMPORTANT: Do NOT fully tighten any bolts during the steps 1-9.**

- 1.** Unpack and lay out the components in the general positions that they will be assembled. See the BOM figure in the back of the manual.
- 2.** Assemble the Front Side Rails (2) to the Front Hoop (1). (Fig. 1)
- 3.** Assemble the Front Crossbar (4) and Front Legs (10, 11) to the Front Side Rails (2). **NOTE: If installing on an 8ft bed, these parts should be in front of vertical rail support. If installing on a 6ft bed, they should be behind the vertical rail support. (Fig. 2)**
- 4.** Assemble the Rear Side Rails (3) and then fasten the Side Rail Connector Plates (7) in place. (Fig. 3)
- 5.** Assemble the Rear Legs (10,11) and Rear Crossbar Mounting Brackets (8,9). (Fig. 4)
- 6.** Assemble the Feet (12,13) to the Legs (10,11) then rotate legs, bolt them in place and stand the rack up. (Fig. 4)



- 7.** Assemble the Rear Crossbar (6) and Center Crossbar (5). (Fig. 5)
- 8.** Measure the length and width of your bed at the front and rear, set the feet of the ladder rack at this distance and snug the hardware to hold them at these positions. (Fig. 6)
- 9.** With the help of at least one other person, mount the completed rack onto the bed of your truck and secure using the included J-bolts, flat washers, lock washers and nuts. **NOTE: If truck rails are boxed in then drilling and bolting will be required. (Fig. 7)**
- 10.** Make sure the rack is centered and fully tighten all hardware. **Note: After use be sure to check that all hardware remains tight.**

Fig. 1

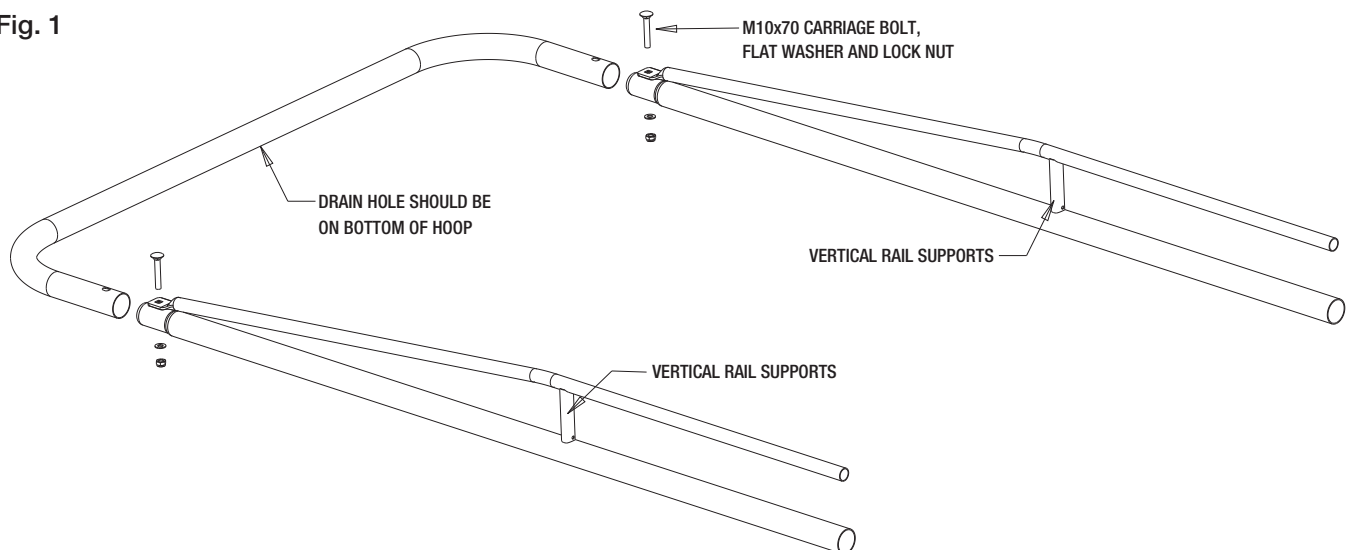


Fig. 2

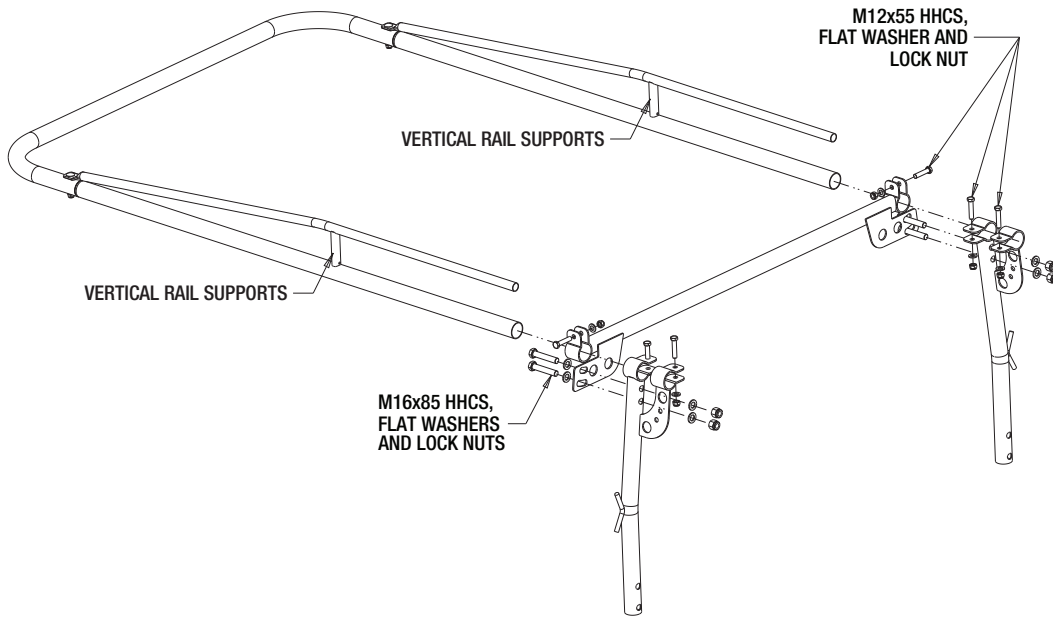


Fig. 3

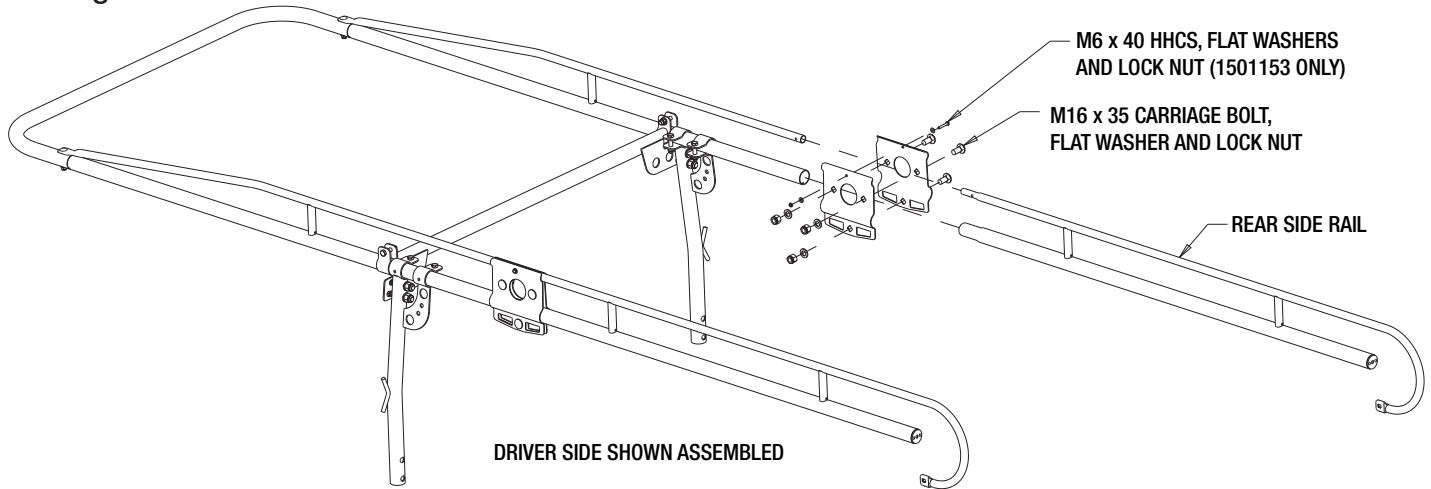


Fig. 4

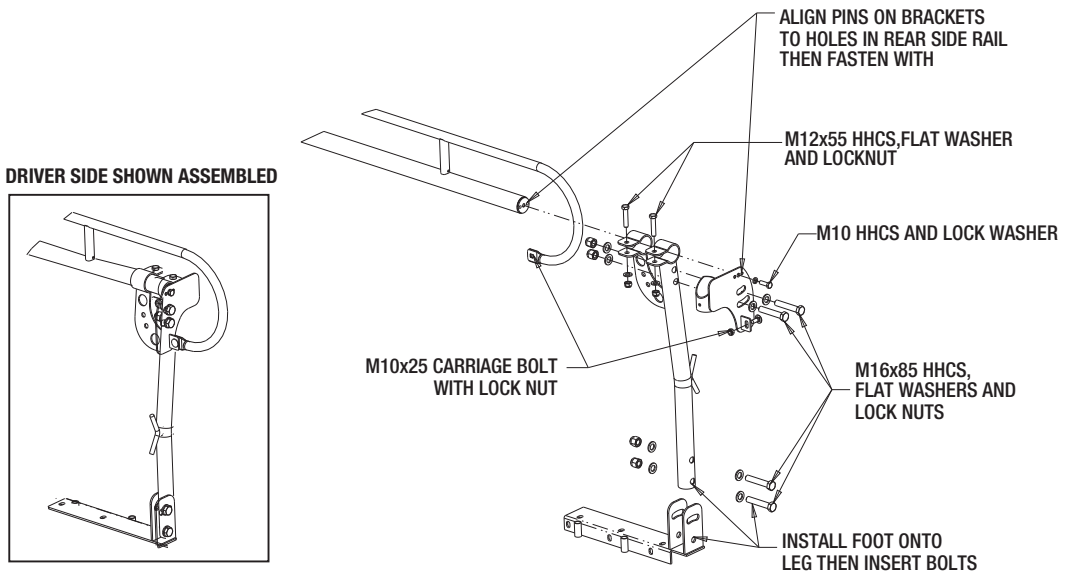


Fig. 5

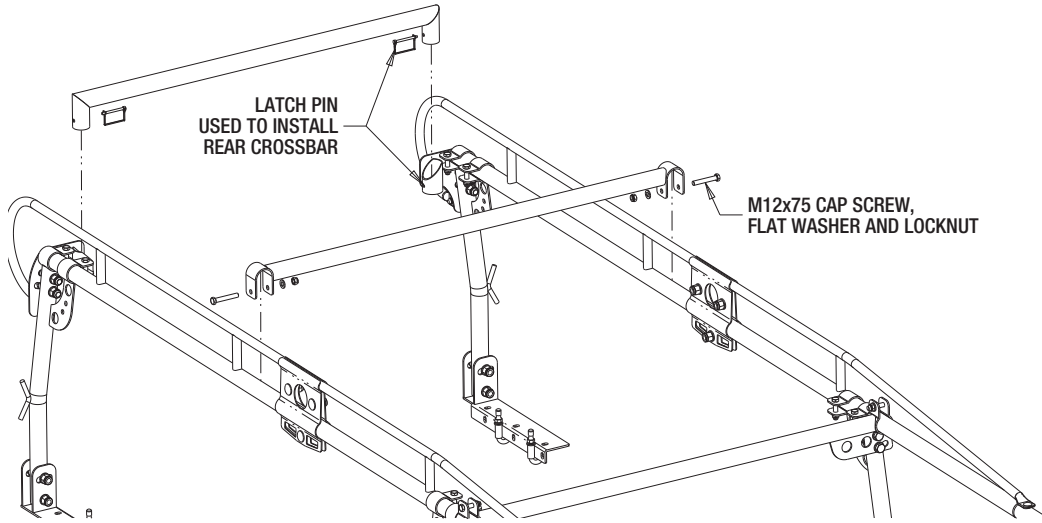


Fig. 6

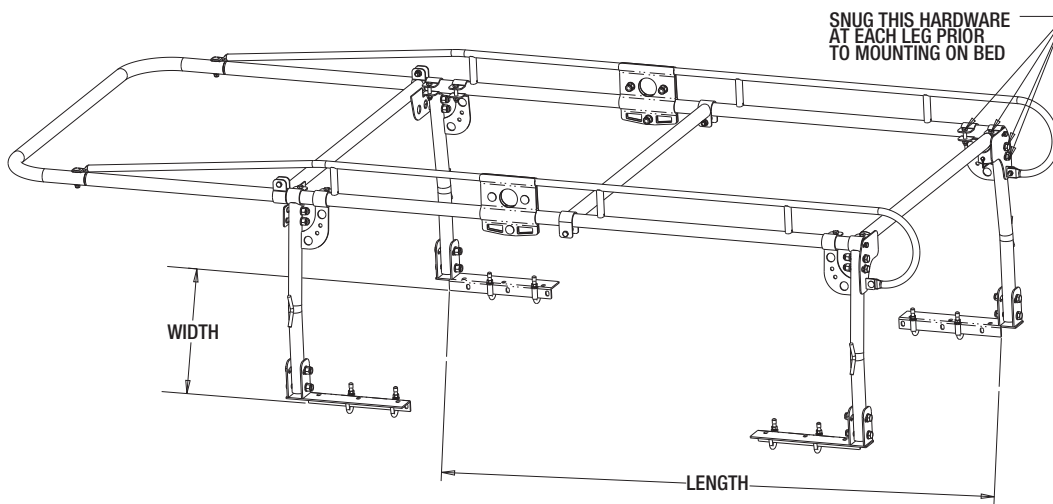
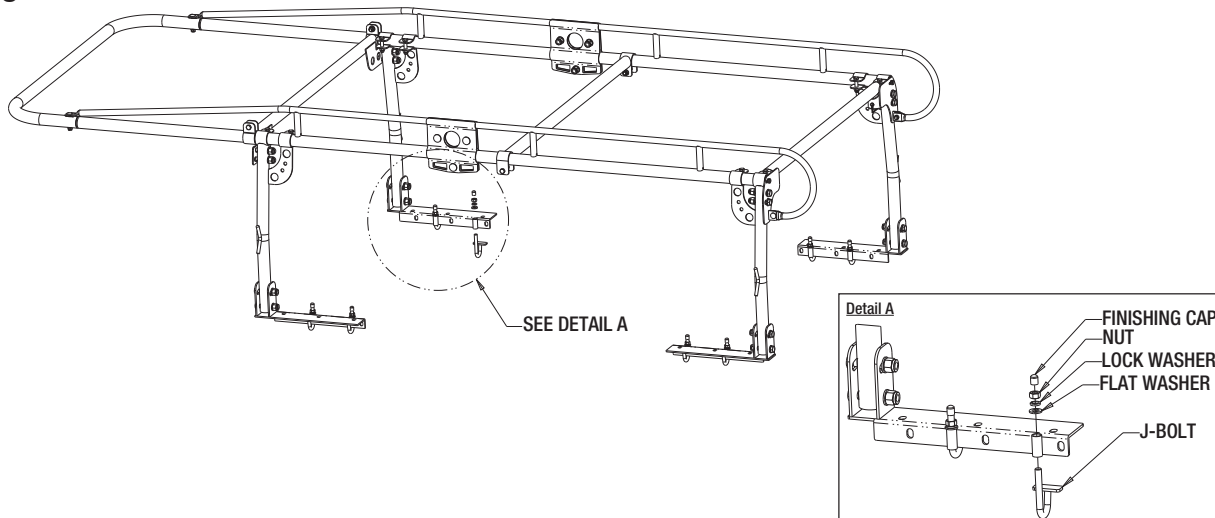
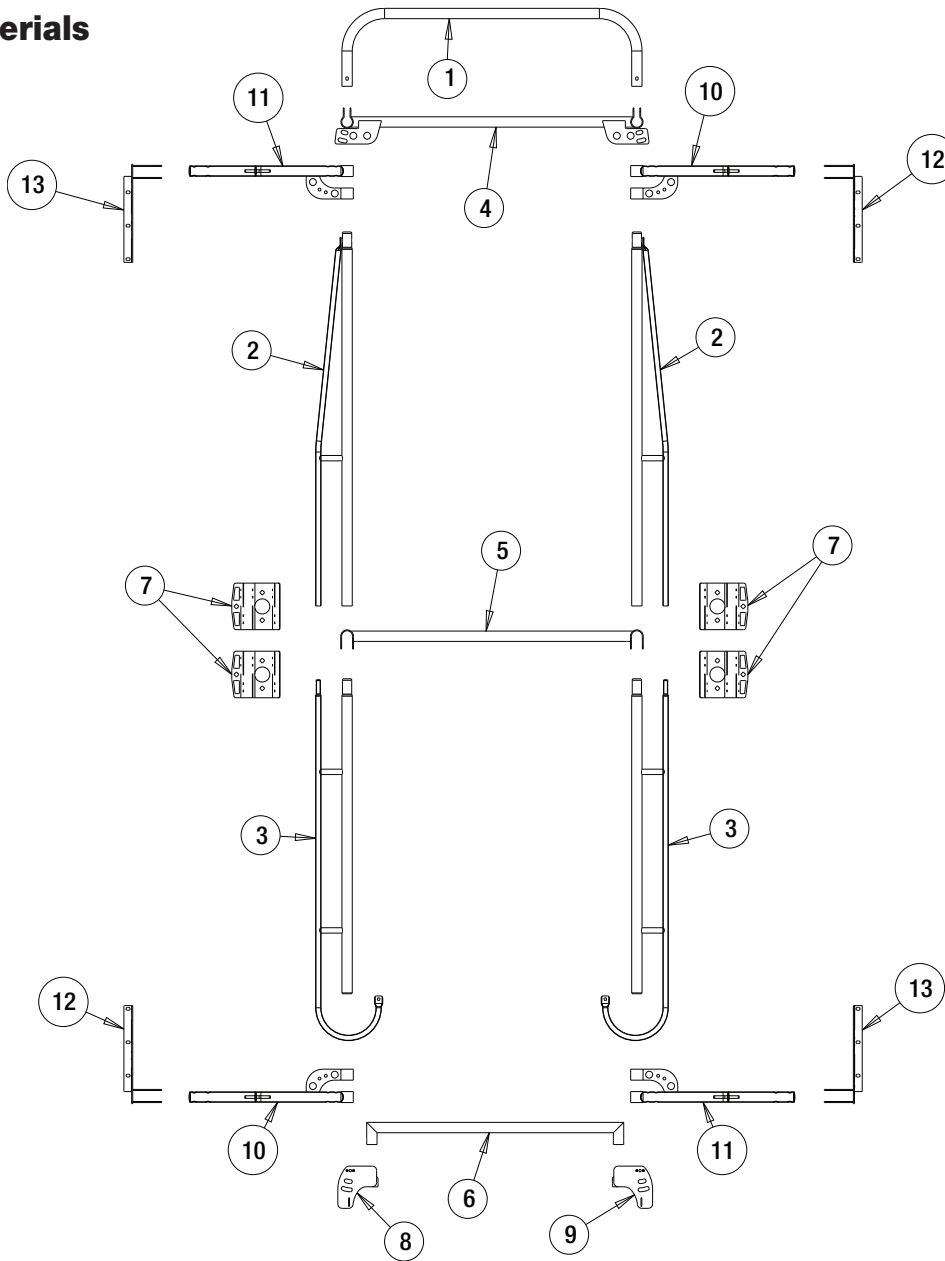


Fig. 7



## Bill of Materials



ITEM	PART NUMBER	QTY.	DESCRIPTION
1	3040517	1	Front Hoop
2	3040518	2	Side Rail, Front (for 1501150)
	3059617	2	Side Rail, Front (for 1501153)
3	3040519	2	Side Rail, Rear (for 1501150)
	3059616	2	Side Rail, Rear (for 1501153)
4	3040520	1	Crossbar, Front
5	3040521	1	Crossbar, Center
6	3040522	1	Crossbar, Rear

ITEM	PART NUMBER	QTY.	DESCRIPTION
7	3040523	4	Side Rail Connector Plate (for 1501150)
	3059618	4	Side Rail Connector Plate (for 1501153)
8	3040524	1	Rear Crossbar Bracket, DS
9	3040525	1	Rear Crossbar Bracket, PS
10	3040526	2	Leg,DS Rear/PS Front
11	3040527	2	Leg,DS Front/PS Rear
12	3040528	2	Foot,DS Rear/PS Front
13	3040529	2	Foot,DS Front/PS Rear
-	3059790	1	Hardware Kit (not shown)

### WARRANTY

Buyers Products Co. warrants all truck/trailer hardware manufactured or distributed by it, to be free from defects in material and workmanship for a period of one year from date of shipment. Parts must be properly installed and used under normal conditions. Any product which has been altered, including modification, misuse, accident or lack of maintenance will not be considered under warranty. Normal wear is excluded. The sole responsibility of Buyers Products Co. under this warranty is limited to repairing or replacing any part or parts which are returned, prepaid, and are found to be defective by Buyers Products Co. Authorization from Buyers Products Co. must be obtained before returning any part. No charges for transportation or labor performed on Buyers' products will be allowed under this warranty.