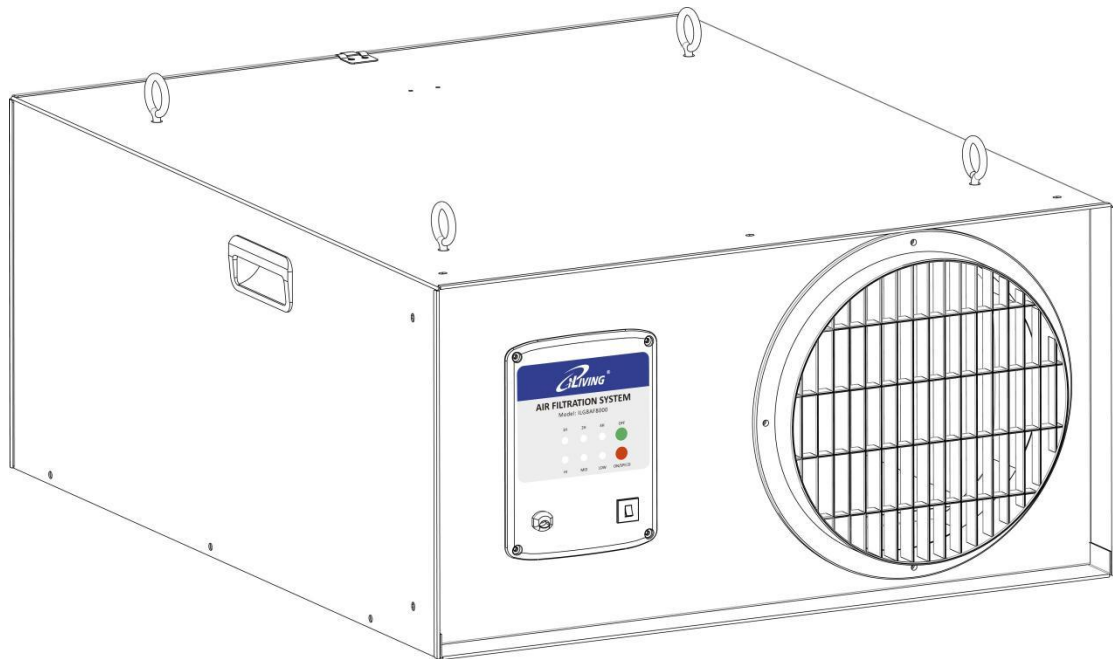




Air Filtration System

Model: ILG8AF8000



Owner's Manual
PLEASE READ AND
SAVE THESE INSTRUCTIONS

TABLE OF CONTENTS

Important Instructions.....	3-4
Electrical Requirements.....	5
Specifications.....	6
Parts of the ILG8AF8000 Air Filtration System.....	7
Replacement Parts	8
Wiring Diagram.....	9
Installing Instructions	10-13
Remote Control.....	13
Cleaning the Filter.....	14
Maintenance	15

IMPORTANT SAFETY INSTRUCTIONS

WARNING - To reduce risk of injury:

1. For your own safety, read instruction manual before operating the tool. Learn the tool's application and limitations as well as the specific hazards pertaining to it.
2. Keep guards in place and in working order.
3. Always wear eye protection.
4. Ground all tools. If tool is equipped with three prong plug, it should be plugged into a three-prong electrical receptacle. If an adapter is used to accommodate a two prong receptacle, the adapter plug must be attached to a known ground. Never remove the third prong.
5. Keep work area clean. Cluttered areas and benches invite accidents.
6. Don't use in dangerous environment. Don't use power tools in damp or wet locations, or expose them to rain. Keep work area well-lit.
7. Keep children and visitors away. All children and visitors should be kept at a safe distance from work area.
8. Make workshop childproof. Use padlocks, master switches, or remove starter keys.
9. Don't force tool. It will do the job better and be safer at the rate for which it was designed.
10. Use right tool. Don't force tool or attachment to do a job for which it was not designed.
11. Wear proper apparel. No loose clothing, gloves, neckties, rings, bracelets, or other jewelry to get caught in moving parts. Nonslip footwear is recommended. Wear protective hair covering to contain long hair.
12. Always use safety glasses. Wear safety glasses (must comply with ANSI Z87.1). Everyday eyeglasses only have impact resistant lenses; they are not safety glasses. Also use face or dust mask if cutting operation is dusty.
13. Secure work. Use clamps or a vise to hold work when practical. It's safer than using your hands and frees both hands to operate tool.
14. Don't overreach. Keep proper footing and balance at all times.
15. Maintain tools in top condition. Keep tools sharp and clean for best and safest performance. Follow instructions for lubricating and changing accessories.
16. Disconnect tools before servicing and when changing filters.
17. Use recommended accessories. The use of accessories and attachments not recommended by manufacturer may cause hazards or risk of injury to persons.
18. Avoid accidental starting. Make sure switch is in "OFF" position before plugging the power cord.
19. Never stand on tool. Serious injury could occur if the tool is tipped or if the fan blade is accidentally contacted.
20. Check damaged parts. Before further use of the tool, a guard or other part that is damaged should be carefully checked to ensure that it will operate properly and perform its intended function-check for alignment of moving parts, binding of moving parts, breakage of parts, mounting, and any other conditions that may affect its

operation. A guard or other part that is damaged should be properly repaired or replace.

21. Never leave tool running unattended. Turn power off. Don't leave tool until it comes to a complete stop.

22. Drugs, alcohol, medication. Do not operate tool while under the influence of drugs, alcohol or any medication.

23. Make sure the tool is disconnected from power supply while motor is being mounted, connected or reconnected.

WARNING: Drilling, sawing, sanding or machining wood products generates wood dust and other substances known to the State of California to cause cancer. Avoid inhaling dust generated from wood product or use a dust mask or other safeguards for personal protection.

Wood products emit chemicals known to the State of California to cause birth defects or other reproductive harm. For more information go to

<http://www.p65warnings.ca.gov>.

WARNING: To Reduce The Risk Of Fire Or Electric Shock, Do Not Use This Fan With Any Solid-State Speed Control Device.

READ AND SAVE THESE INSTRUCTIONS

Electrical Requirements

In the event of a malfunction or breakdown, grounding provides a path of least resistance for electric current to reduce the risk of electric shock. This tool is equipped with an electric cord having an equipment- grounding conductor and grounding plug. The plug must be plugged into a matching outlet that is properly installed and grounded in accordance with all codes and ordinances.

Do not modify the plug. If it does not fit the outlet, have the proper outlet installed by a licensed electrician.

Improper connection of the equipment-grounding conductor can result in a risk of electric shock. The conductor, with insulation having an outer surface that is green with or without yellow stripes, is the equipment-grounding conductor. If repair or replacement of the electric cord or plug is necessary, do not connect the equipment-grounding conductor to a live terminal.

Check with a qualified electrician or service personnel if the grounding instructions are not completely understood, or if in doubt as to whether the tool is properly grounded.

Use only three wire extension cords that have three-prong grounding plugs and three-pole receptacles that accept the tool's plug.

Repair or replace a damaged power cord immediately.

This tool is intended for use on a circuit that has an outlet that looks like the one illustrated in Figure A below. A temporary adapter, which looks like the adapter as illustrated in Figure B below, may be used to connect this plug to a two-pole receptacle, if a properly grounded outlet is not available. The temporary adapter should only be used until a properly grounded outlet can be installed by a licensed electrician. The green colored rigid ear or tab, extending from the adapter, must be connected to a permanent ground such as a properly grounded outlet box.

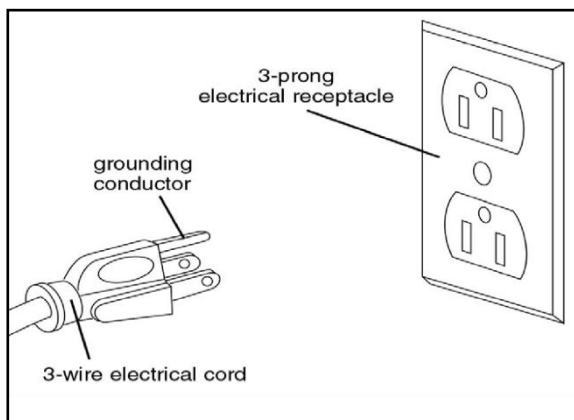


Figure A

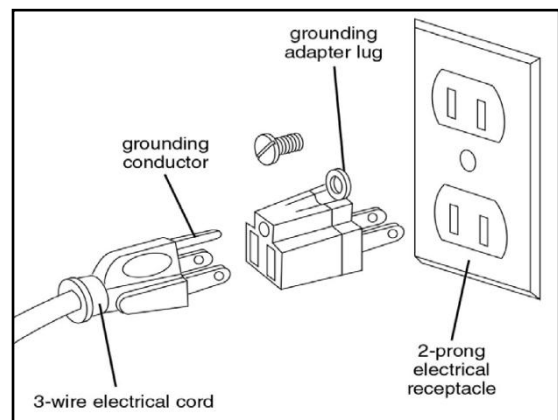


Figure B

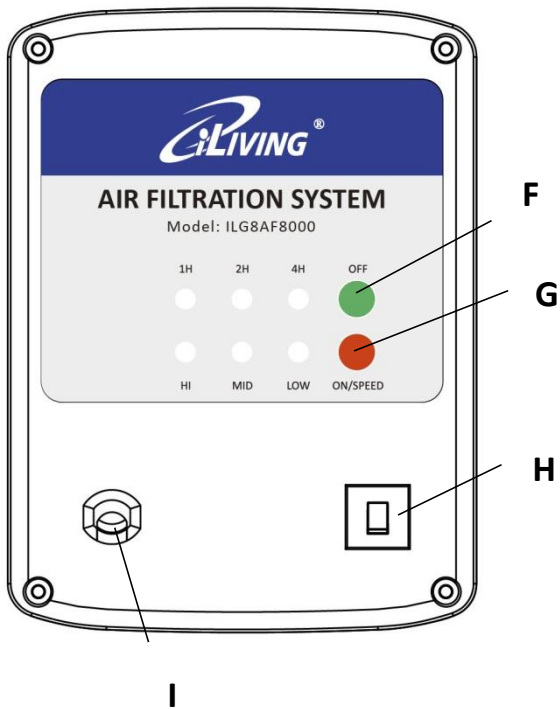
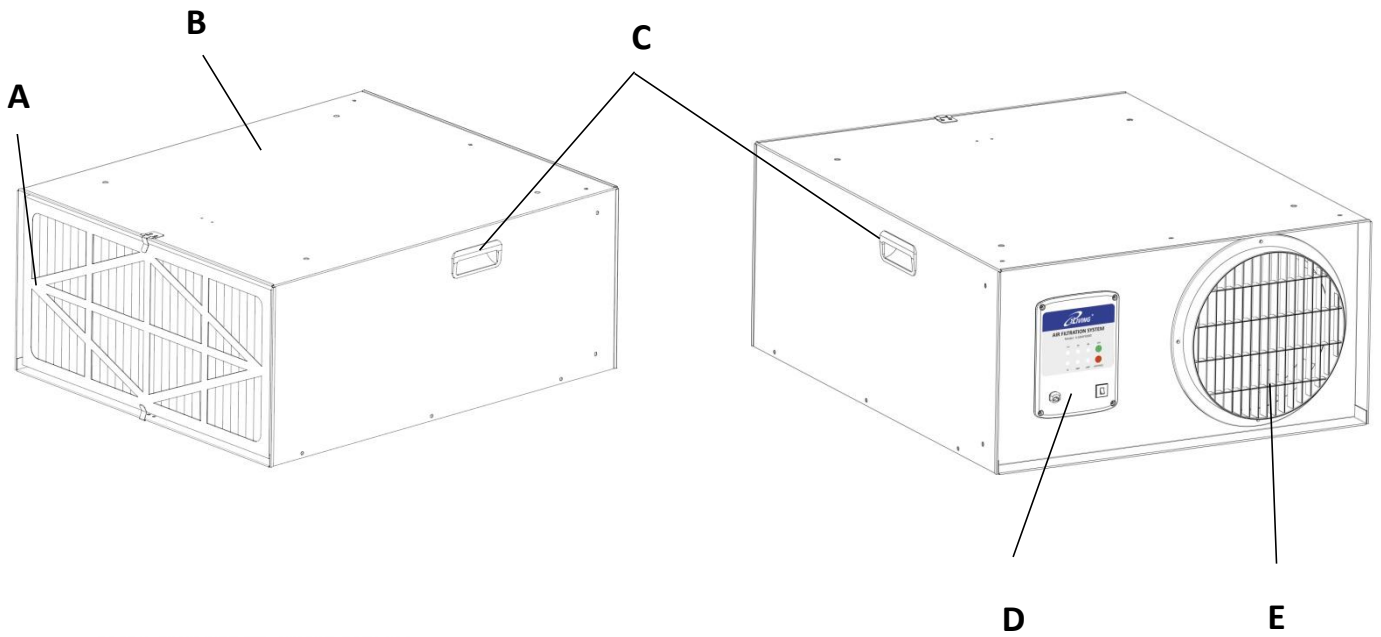
Specifications		
Overall Dimensions(LxWxH/in)	W24-1/2 X D29-1/2 X H12-19/32	
Sound Rating @ 3ft (dB)	High	70 dB
	Medium	60 dB
	Low	55 dB
Air Flow(CFM)	High	1025
	Medium	870
	Low	720
Outer Filter	5 Microns	
Inner Filter	1 Micron	
Filter Cycle(min.)	3 min	
Cycles per Hour (20'x20'x8')	19.5	
Motor	120V/60HZ, 1/3HP, 1PH	
Wattage	265W	
AMPS	2.2A	
Net Weight(lbs)	69 lbs	

For your own safety

1. Read and understand instruction manual before installing or operating the tool.
2. To reduce the risk of injury, disconnect the air cleaner from the power source (unplug) before servicing or changing filters.
3. If ceiling mounted, bottom of air cleaner must be at least 7 feet above the floor.
4. If ceiling mounted, mounts must be anchored to building structure which will support a minimum of at least 100 pounds. Never mount to surfaces such as dry wall or ceiling grids, etc.
5. To reduce the risk of electrical shock, do not expose air cleaner to water or rain.
6. Never duct a machine directly into the air cleaner.
7. To avoid a potentially dangerous situation, do not use this equipment to filter flammable vapors or smoke. This air cleaner is designed and intended for the filtration of air borne wood dust only. It is neither designed nor intended for any other purpose whatsoever.
8. Failure to comply may result in serious injury and / or property damage.

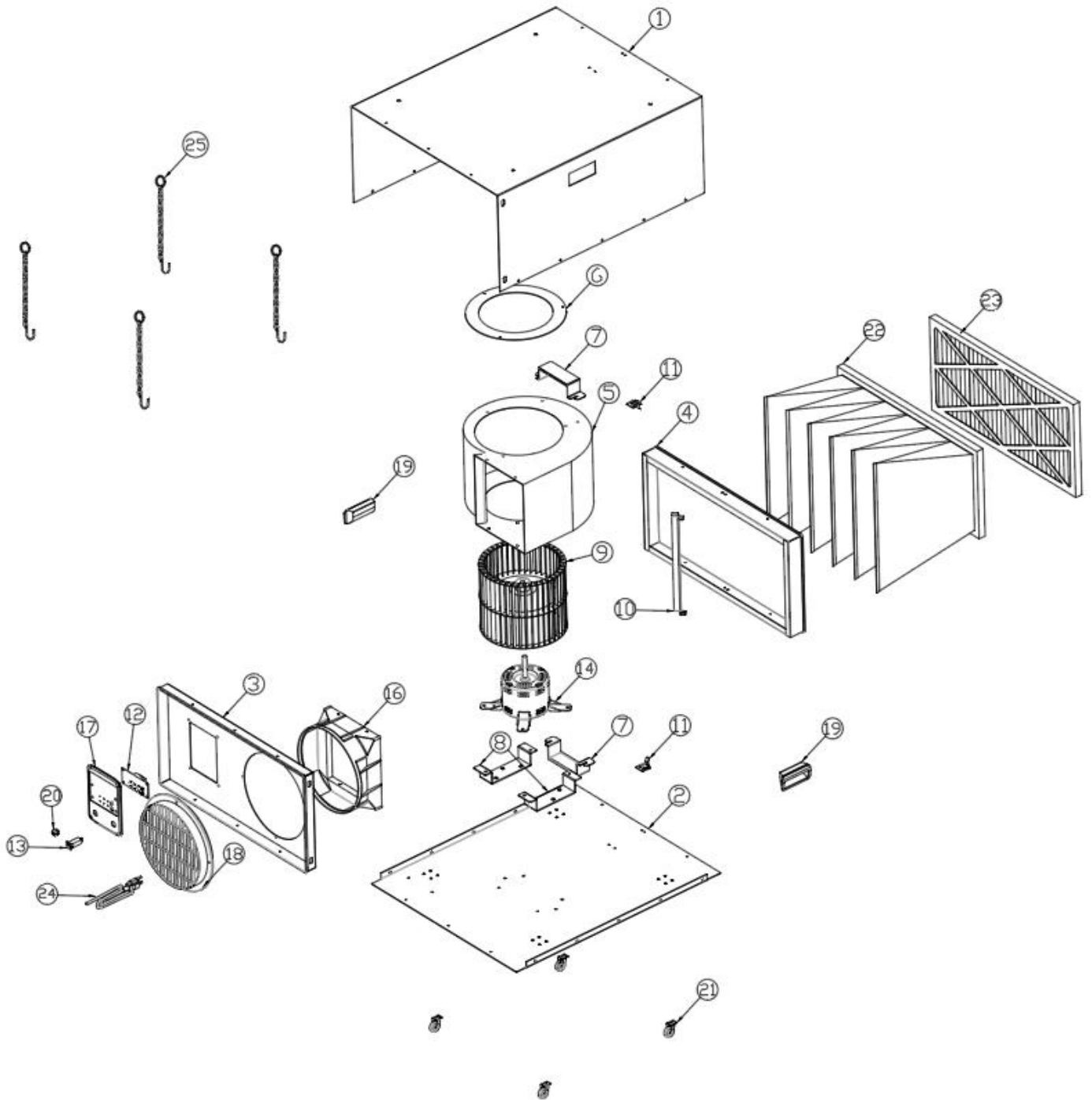
The above specifications were current at the time this manual was published, but because of our policy of continuous improvement, iLiving reserves the right to change specifications at any time and without prior notice, without incurring obligations.

Parts of the ILG8AF8000 Air Filtration System

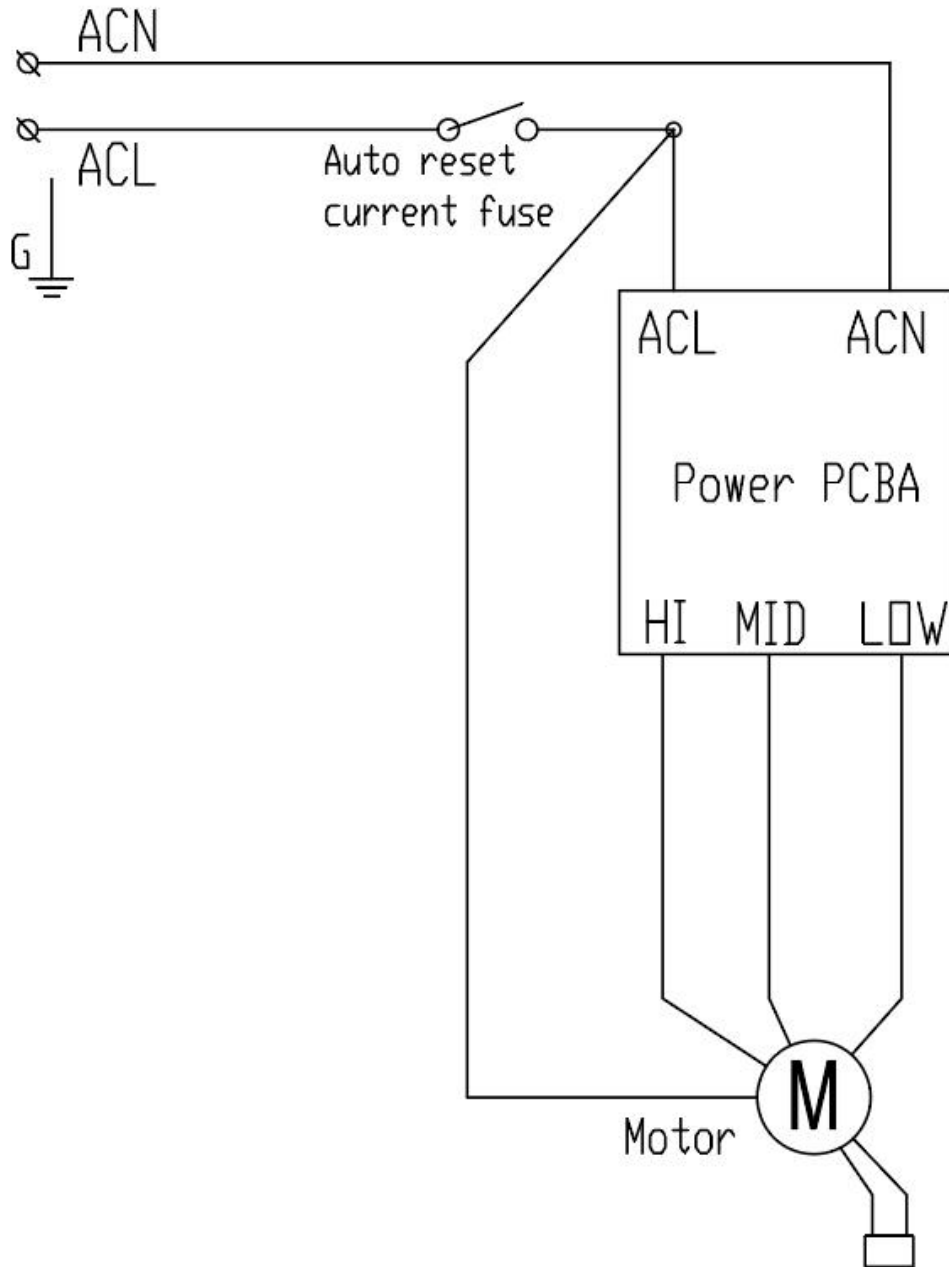


A	Outer Filter
B	Cover
C	Handle
D	Control Panel
E	Air Outlet Guard
F	Power OFF Button
G	Power ON/Speed Button
H	Fuse
I	Power Cord Outlet

Replacement Parts



Wiring Diagram



Installation Instructions

The air filtration unit does not require much assembly. You should take into consideration how and where you will place this unit. It can be mounted horizontally and vertically. This unit will work best if it is located away from corners, and heating/cooling vents. If using on sawhorses the air filtration unit should be clamped in place. This unit is specifically designed to circulate and filter non-metallic dust, which is generated throughout the work area.

WARNING: Unplug or disconnect the appliance from the power supply before servicing.

Tools / Materials Needed (Not Included) :

- No.2 Cross Point Screwdriver
- 10mm Wrench

Contents of Shipping Carton

- Air Filtration System
- Owner's Manual
- Screw Kit

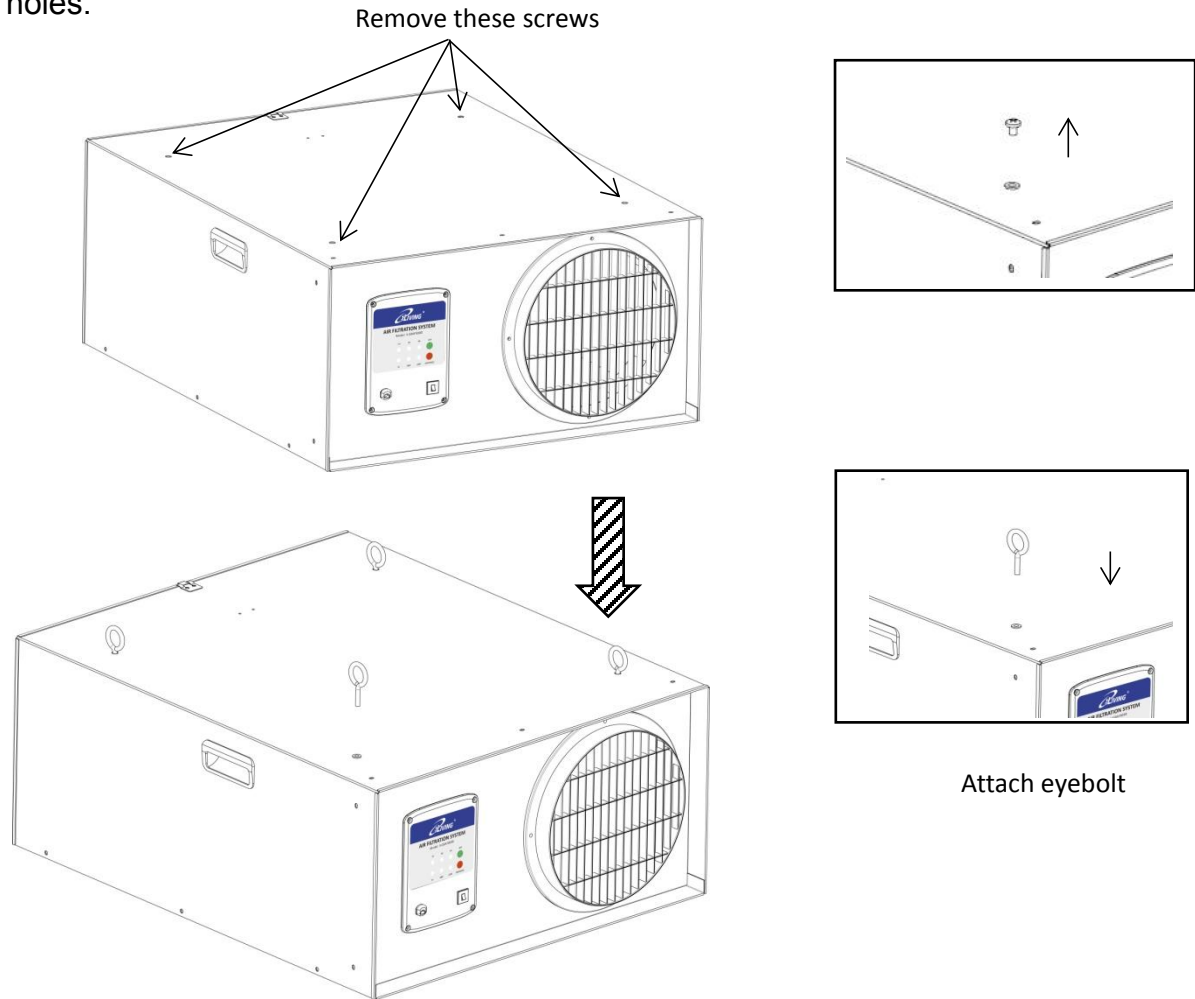
Screw Kit Contents	
Description	Qty
Chain	4
Eyebolt M6x30	4
Eyebolt wood screw ST6x30	4
Caster	4
Rubber Feet	4



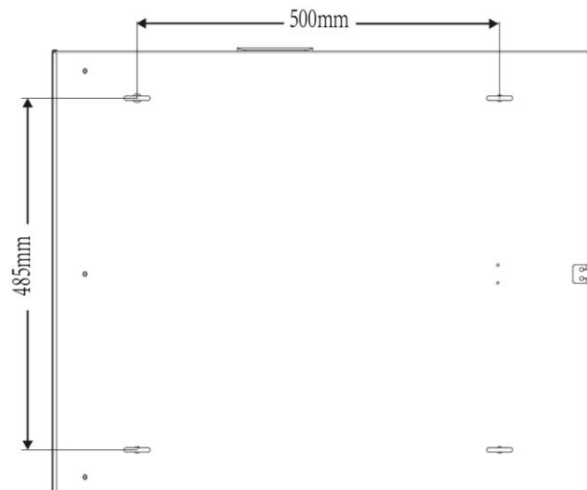
Assembly for Ceiling

Caution: Mounts must be anchored to building structure, such as concrete wall or solid wood ceiling, which will support a minimum of at least 100 pounds. Never mount to surfaces such as dry wall, false ceiling grids, etc.

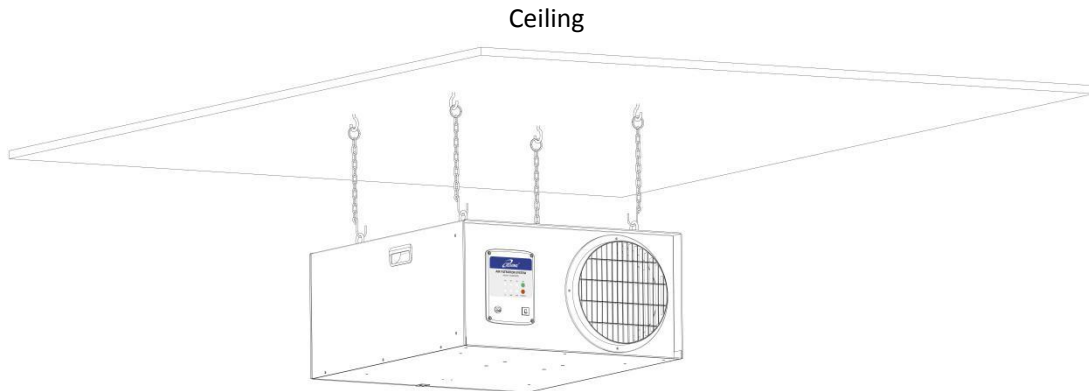
1. Remove the screws on the top cover and attach four eyebolts to the screw holes.



2. Mark the drill-hole positions, and drill the required holes to the ceiling with eyebolt as below.

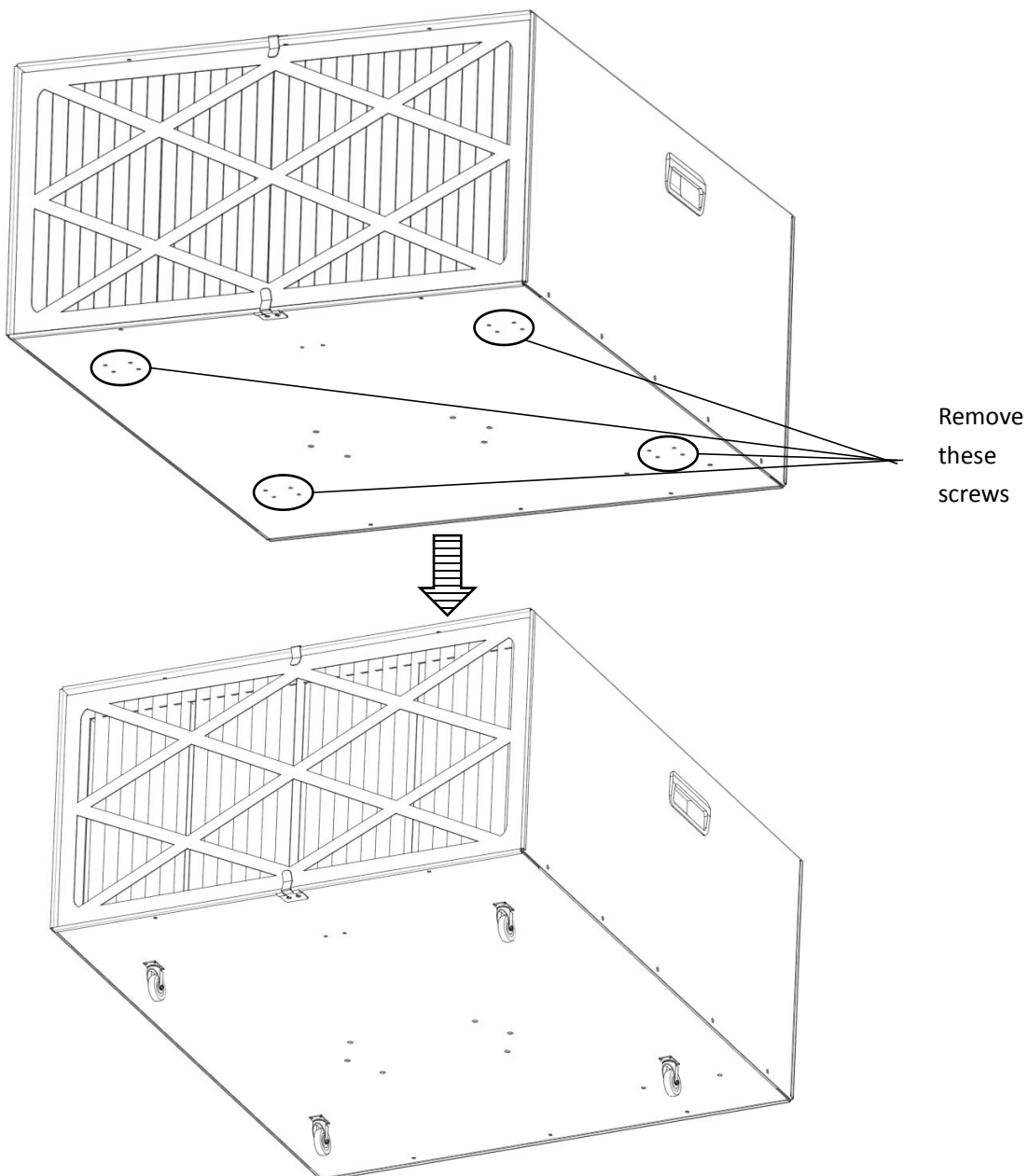


3. Hang the chains to the eyebolts attached on the ceiling, then hang the air filtration unit as below.

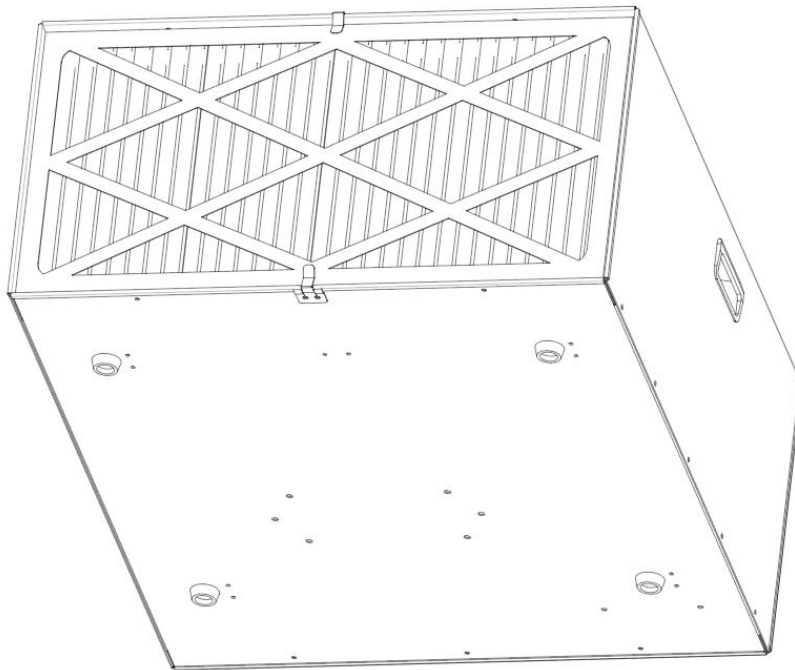


Assembly for Moving

Remove the screws of the bottom, install four casters, and tighten with the screws.

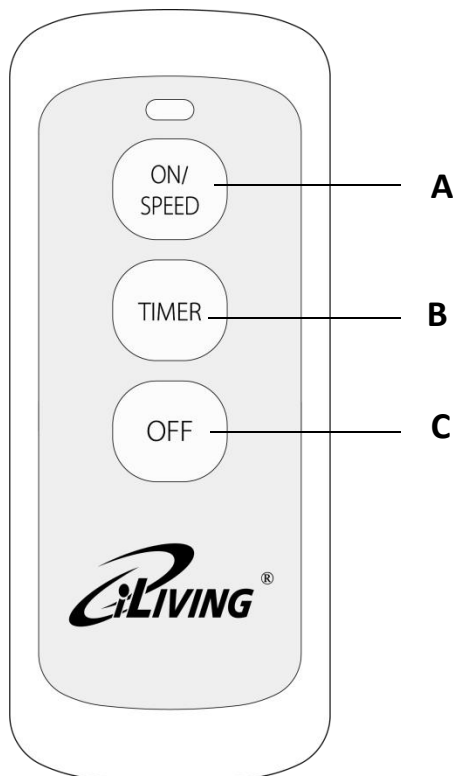


For on floor use, install 4 rubber feet on the bottom as below.



Remote Control

The air filtration system can also be operated with a remote control. The infrared receiver is located on the main control panel. The remote control has the same functions as the main control panel. However, the timer can ONLY be set with a remote control.



A	Power on & Speed control button
B	Timer button
C	Power off button

NOTE: Remove the batteries if the remote control is not to be used for an extended period of time. Batteries left in the unit may leak and cause damage.



The air filtration system remotes are universal and work with multiple systems. If you have two or more air filtration systems, and wanted to control them independently, please follow the instructions below for each pairing.

How to pair remote control with the air filtration system:

1. Press and hold the ON/SPEED button on the control panel, then plug the power cord into the outlet. It will respond with a "Beep" sound every 1 second.
2. Press any button on the remote control, the "Beep" sound stops. Pairing process has been completed. The other remote control cannot control this air filtration system now.
3. To cancel pairing between the remote control and the air filtration system, press and hold the OFF button on the control panel, then plug the power cord into the outlet. It will respond with a "Beep" sound twice. The pairing has been canceled. The air filtration system can now be controlled by any other remote control.

Cleaning the Filter

WARNING:To reduce the risk of injury, disconnect the air cleaner from the power source (unplug) before serving or changing filters. Failure to comply may cause serious injury.

There are two filters that need to be changed. Remove the outer filter first, disengage the two clips, and pull the outer filter out.(Figure.1)
Then pull out the inner filter.(Figure.2)

The filters should be replaced depending on the amount of usage and the environment of your shop. Clogged filters will reduce the amount of air circulation. There is an arrow indicating the air flow direction on the outer filter. Make sure the filter is inserted facing the proper direction.

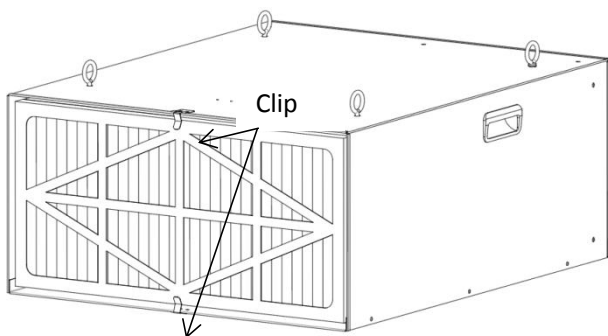


Figure.1

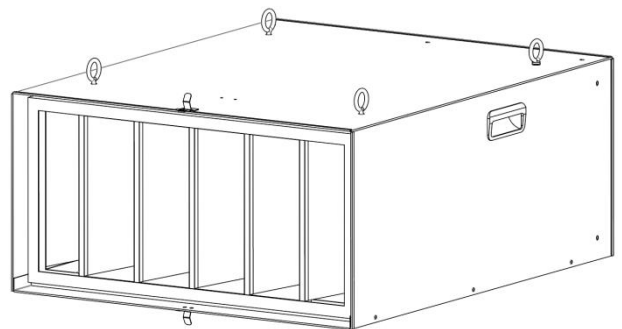


Figure.2

Lock the clips on the top and button of the housing.

Maintenance

1. Always unplug or disconnect the cord from the electrical outlet before cleaning the unit.
2. Do not spray cleaning liquids or other chemicals on the unit.
3. To clean enclosure, use a clean, soft, and lightly damp cloth to gently wipe off the dirt from the surface of the unit. Be sure not to wet the motor or the switches. Allow the unit to dry completely before use.

Caution: Do not allow water to run into the interior of the unit as this could create a fire or electric shock hazard.

4. Store the unit in a clean, dry place when not in use.

Warranty Information

This product comes with a 1-YEAR LIMITED COMPONENT WARRANTY. If your unit does not appear to be working properly, please contact our service center by calling 1-800-317-1688. Prior to your call, we encourage you to visit our service related website www.ilivingusa.com for troubleshooting tips and service instructions if needed.

Register your product at our website:



Or visit iLivingUSA.com/register-product

Feedback

Love it? Help us make the product more for you.



Let us know with a customer review.

Please visit: <https://www.amazon.com/review/review-your-purchases#>

At iLiving USA, we are committed to bringing top quality products to our customers.

iLIVING USA
860 Mahler Road,
Burlingame, CA 94010
Tel: 1-800-317-1688
Email: service@ilivingusa.com