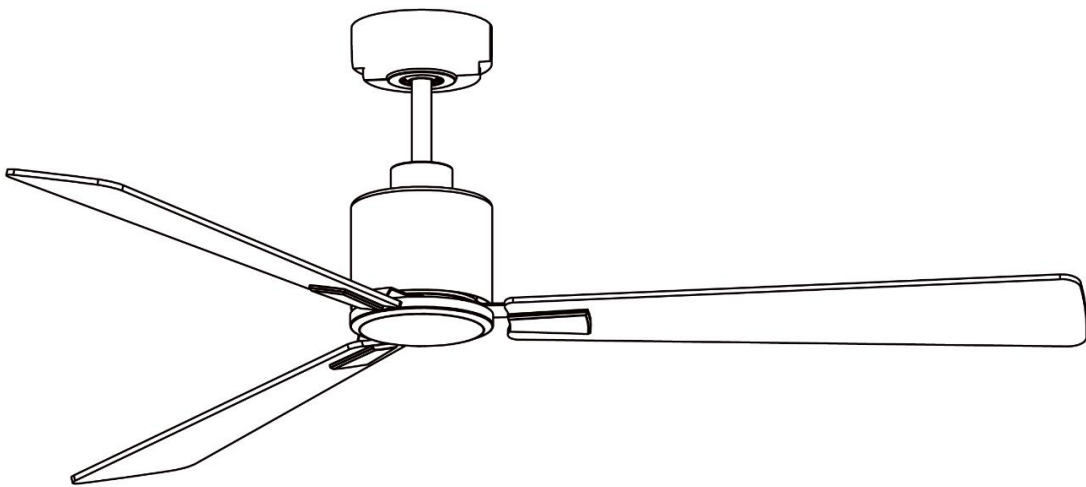




## DC Ceiling Fan with Remote Control



Models: ILG8CF52B / ILG8CF52W

ILG8CF56B / ILG8CF56W

**OWNER'S MANUAL**  
**PLEASE READ AND**  
**SAVE THESE INSTRUCTIONS**

# IMPORTANT SAFETY INSTRUCTIONS

Read instructions carefully before assembling or installing your fan. It is important that you observe all safety information to help prevent personal injury and/or property damage.

1. To ensure the success of the installation be sure to read the instructions and study the diagrams thoroughly.
2. For your safety, all electrical connection and disconnection must be performed by a Licensed Electrician, in accordance with the National Electrical Code, ANSI/NFPA 70.
3. All electrical work should only be undertaken after disconnection of the power by turning off the electrical supply.
4. Make sure that your installation location will not allow the rotating fan blades to come into contact with any object and that there is a minimum clearance of 30cm from the blade tip to the wall or nearest object. Please note that the bigger this clearance is the better the airflow from your fan will be. Ensure the blades are mounted at a minimum height of 2.1 meters from the floor when the fan is installed.
5. The fan must be earthed.
6. Do not connect the fan motor to a dimmer switch. This may give an unsatisfactory performance (motor hum) and cause damage to the motor. Only use the supplied fan controller.
7. It is not recommended that ceiling fans and gas appliances be operated in the same room at the same time.
8. The fan must be turned off and stopped completely before reversing the fan direction. This will prevent any damage to the motor of the unit or controller.
9. Do not insert anything into the fan blades while the fan is operating, as this may cause personal injury, damage the blades, and upset the balance of the unit causing it to wobble.
10. After the fan is completely installed make sure that all connections are secured and tightened to prevent any noise problems from loose parts.
11. Because of the fan's natural movement, some connections may loosen. Check the support connections, brackets and blade attachments twice a year to make sure they are all secured. If they are loose, tighten with a screw driver.
12. This ceiling fan is suitable for use with solid-state speed controls.

**WARNING** - To Reduce The Risk Of Personal Injury, Do Not Bend The Blade Brackets When Installing The Brackets, Balancing The Blades, Or Cleaning The Fan. Do Not Insert Foreign Objects In Between Rotating Fan Blades.

**WARNING** - To Reduce The Risk Of Fire, Electric Shock, Or Personal Injury, Mount To Outlet Box Marked "Acceptable for Fan Support of 15.9 kg (35 lbs) or less" And Use Mounting Screws Provided With The Outlet Box.

13. Check that the outlet box is securely installed in place such that it is able to support at least the fan weight.

**WARNING** - To Reduce The Risk Of Electric Shock, This Fan Must Be Installed With An Isolating Wall Control/Switch.

14. The wall switch used shall have been investigated and found acceptable for use as a general-use switch.

**Note:** The important safeguards and instructions given in this manual are not meant to cover all possible conditions and situations that may occur. It must be understood that common sense, caution and care are factors, which cannot be built into any product. The persons caring for and using the unit must supply these factors.

## READ AND SAVE THESE INSTRUCTIONS

# IMPORTANT NOTES

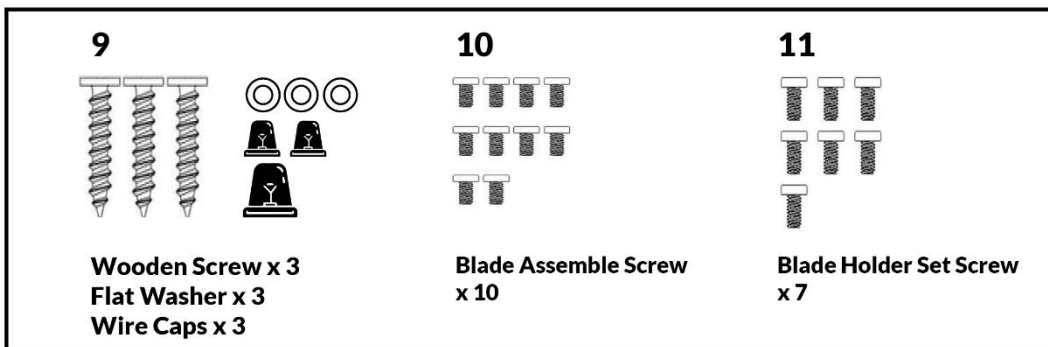
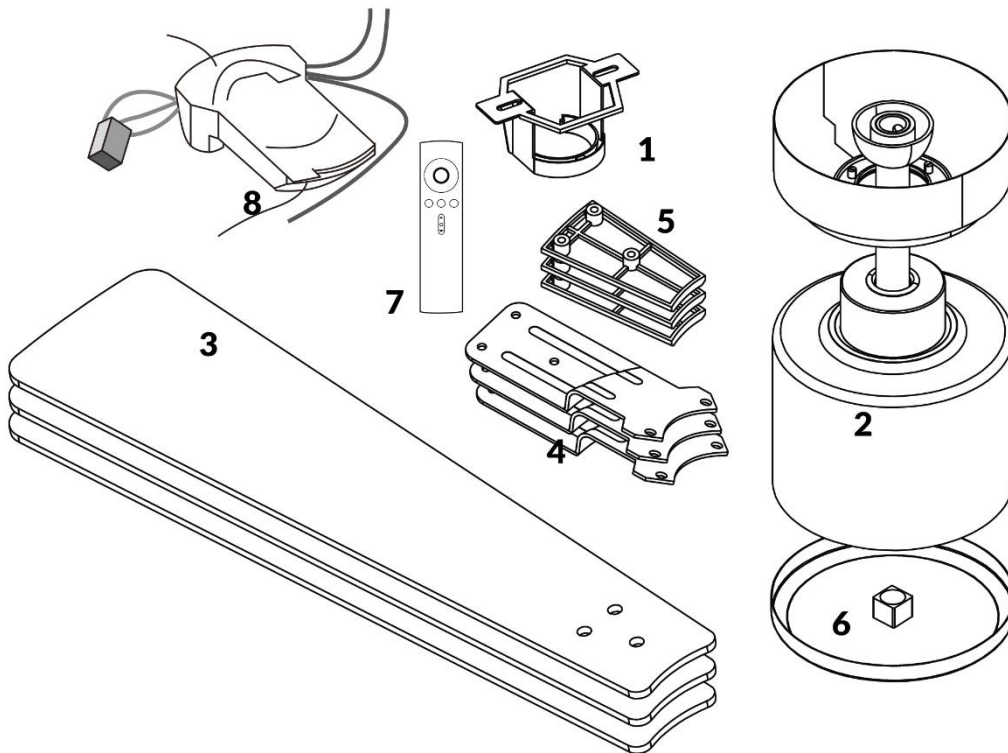
<p><b>FAN CONTROL</b></p>	<p>Your warranty will be void if a solid-state dimmer fan controller is used. ONLY use the remote control supplied.</p>
<p><b>FAN INSTALLATION</b></p>	<p>Under our warranty terms, this ceiling fan must be installed by a licensed electrician. Ceiling fans that are not installed correctly can be dangerous and expensive to repair and will void the warranty. This fan is designed for indoor use and dry location use, mounting the fan where it is subject to water or moisture can be dangerous and will also void the warranty.</p>
<p><b>FAULT FINDER</b></p>	<p>Always check the “Trouble Shooting Checklist” included in this booklet before calling for service. Unnecessary calls are inconvenient for all and can attract a service charge. MECHANICAL NOISE MAY BE NOTICED ON INSTALLATION - ALLOW AT LEAST 8HOURS SETTling-IN PERIOD. SOME FANS WOBBLE MORE THAN OTHERS -EVEN IN THE SAME MODEL; IT DOES NOT MEAN THE FAN IS FAULTY.</p>
<p><b>WARNING</b></p>	<p>This appliance is not intended for use by persons (including children) with reduced physical, sensory or mental capabilities, or lack of experience and knowledge unless they have been given supervision or instruction concerning use of the appliance by a person responsible for their safety.</p> <ul style="list-style-type: none"> <li>- Children should be supervised to ensure that they do not play with the appliance.</li> <li>- The fan must be installed so that the blades are at least 2.1 meters above the floor.</li> </ul>

# BEFORE INSTALLATION

Unpack your ceiling fan carefully. Remove all parts and hardware. Place fan motor on a cloth or soft surface to avoid damage to the finish. Do not lay motor housing on its side –the decorative housing may become bent or damaged. Verify that all parts are present before starting assembly.

Check the packaging carefully for missing parts.

Examine all parts. You should have the following:



CONTENTS		
REF	QTY	DESCRIPTION
1	1	Mounting Bracket
2	1	Fan assembly with hanger cover, down rod canopy cover and canopy
3	3	Blades
4	3	Blade holder
5	3	Blade holder kit
6	1	Bottom cover
7	1	Remote transmitter with holder
8	1	Remote receiver
9	1	3/16x35mm Wooden Screw x3 1/4 Flat Washer x3 Wire Caps x 3
10	1	1/16x8mm Blade Assemble Screw x 10
11	1	1/4x7mm Hanging Bracket Set Screw x 7

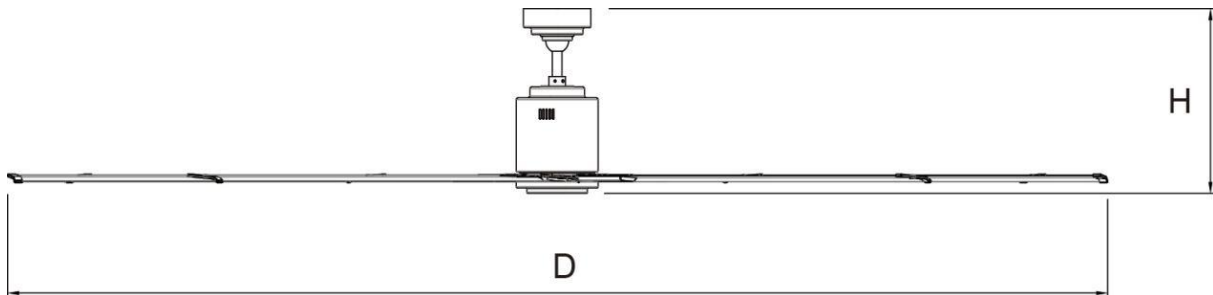
**TOOLS REQUIRED (Not Included):**

- Phillips / Flat head screw driver
- Pair of pliers
- Adjustable Spanner
- Step ladder
- Wire cutter
- Wiring, supply cable as required by the National Electrical Code, ANSI/NFPA 70.
- Outlet Box and Mounting screws
- Wall control switch

# SPECIFICATION

Model#	ILG8CF52B/ ILG8CF52W	ILG8CF56B/ ILG8CF56W
Size	52"	56"
Voltage(V)	120	120
Frequency (Hz)	60	60
Wattage(W)	35	35
AMPS(A)	0.5	0.5
RPM	155	135
CFM	5600	6200
Blades	3	3
Blade Angle	14	14
Speeds	6	6
Net Weight (KG)	4.7	4.71
Certification	UL, cUL	UL, cUL

## Dimensions(mm)



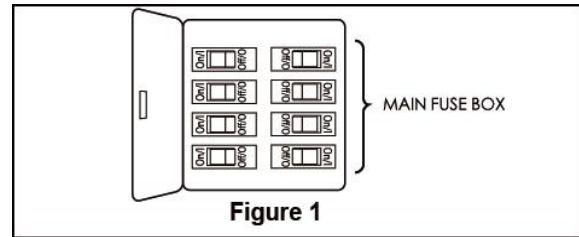
Model#	D	H
ILG8CF52B	1320.8	344.37
ILG8CF52W	1320.8	344.37
ILG8CF56B	1422.4	344.37
ILG8CF56W	1422.4	344.37

# INSTALLATION INSTRUCTIONS

## WARNING

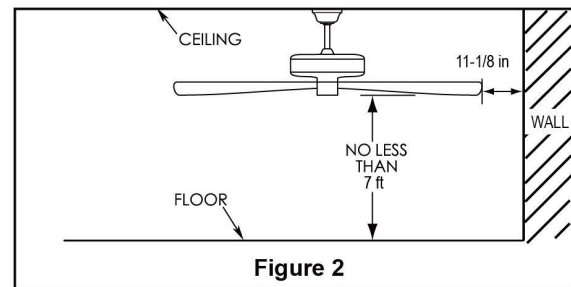
To avoid possible electrical shock, be sure electricity is turned off at the main fuse box before installation. (Figure 1)

NOTE: If you are not sure if the outlet box is grounded, contact a licensed electrician for advice, as it must be grounded for safe operation.



## WARNING

The fan must be hung with at least 7 feet above the floor, and 11-1/8in spacing from the tip of the blade to the nearest objects or walls. (Figure 2)



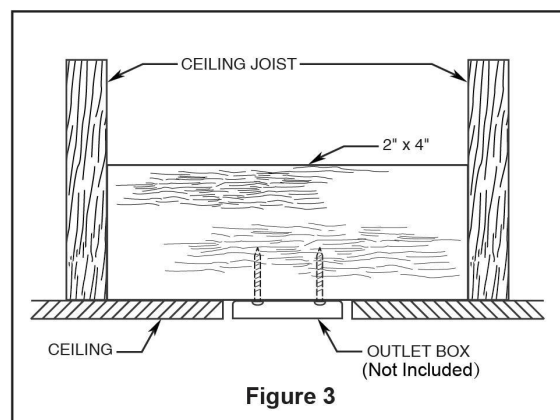
## Electrical and Structural Requirements

Your new ceiling fan will require a grounded electrical supply line of 120 volts AC, 60 HZ, 15 Amp Circuit.

Electrical code requires use of a fan-rated outlet box to support the extra weight and motion associated with a ceiling fan. A fan-rated box will be labeled as such and typically supports up to a 70lb ceiling fan. Fan-Rated Outlet Boxes vary in ratings and design. Ensure the ratings of your ceiling fan outlet box meet their requirements for the ceiling fan being installed. Figure 3, Figure 4 and Figure 5 depicts different structural configurations that may be used for mounting the outlet box.

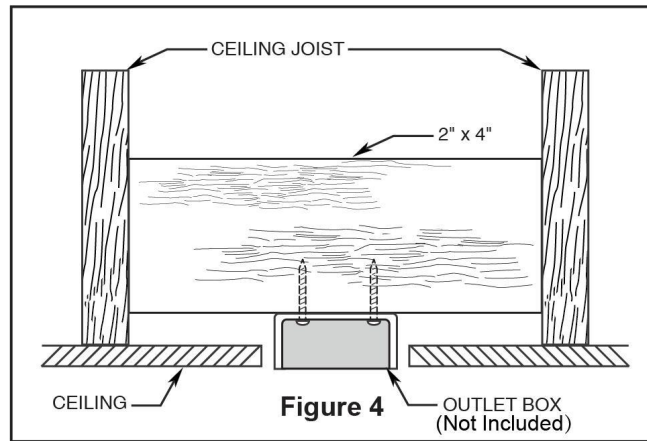
### Low profile box (Figure 3)

A 1/2-in.-deep pancake box is meant to be screwed to a joist or block. It's used if only one cable is coming into the box. It is also available in a saddle-mount configuration



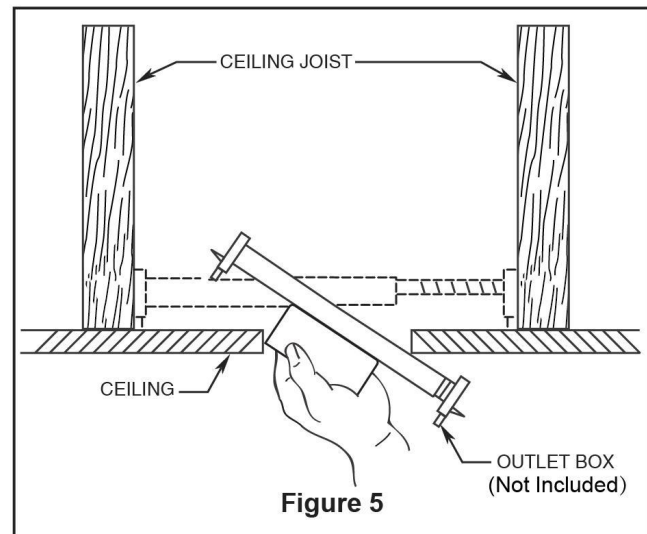
### Deep box (Figure 4)

A 2-1/4in. deep box can be attached to blocking between joists and is roomy enough to handle more than one cable.



### Deep box with brace (Figure 6)

Paired with a deep box, this hanger is meant to Span between two joists and takes the place of wooden blocking.



## WARNING

The outlet box must be securely anchored and capable of withstanding a load of at least 35 lbs.

Mounting bracket must seat firmly against outlet box.

If the outlet box is recessed, remove wallboard until bracket contacts box. If bracket and/or outlet box are not securely attached, the fan could wobble or fall.

The fan be mounted to an outlet box and that the mounting screws provided with the outlet box shall be used.

## WARNING

To Reduce The Risk Of Fire, Electric Shock, Or Personal Injury, Mount To Outlet Box Marked "Acceptable for Fan Support of 15.9 kg (35 lbs.) or less" And Use Mounting Screws Provided With The Outlet Box.

## WARNING

To Reduce The Risk Of Electric Shock, This Fan Must Be Installed With An Isolating Wall Control Switch.

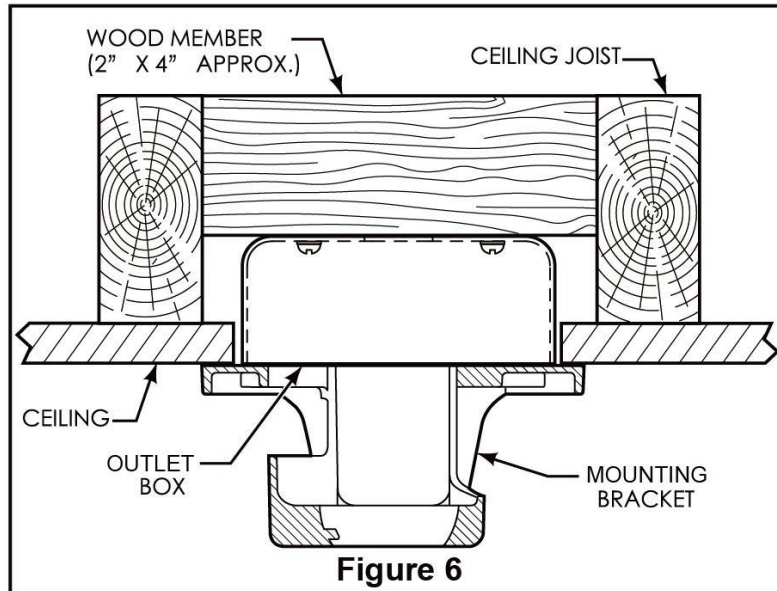


1

**Install Mounting bracket**

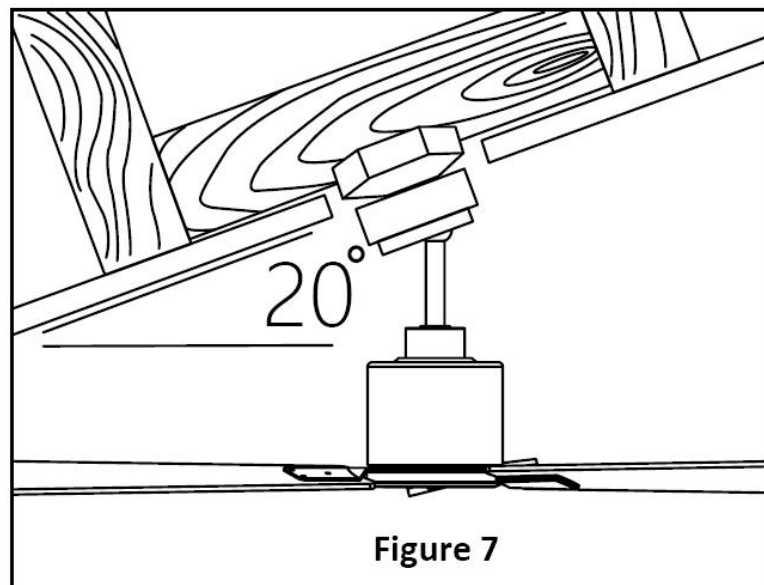
Secure the mounting bracket to the outlet box Marked "Acceptable for Fan Support of 15.9 kg (35 lbs.) or less" and use mounting screws provided with the outlet box.

Securely attach the mounting bracket to ceiling outlet box **acceptable for ceiling fan support**. (Figure 6)



2

This fan hanging system supports a maximum 20degree angled ceiling installation. (Figure 7)



**3****Installing Down rod.**

Lift fan assembly onto mounting bracket. Fig.8

Ensure the notch of ball joint is positioned on the stopper of mounting bracket to prevent Fan from rotating when in operation. Fig. 9

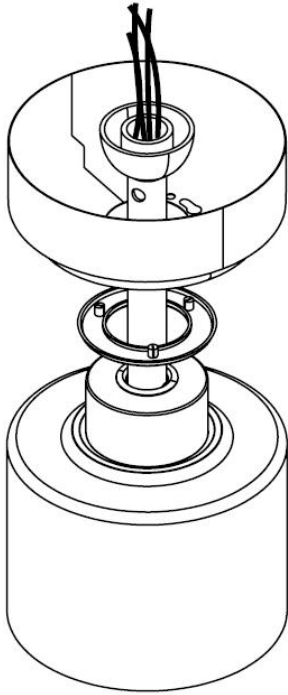


Figure 8

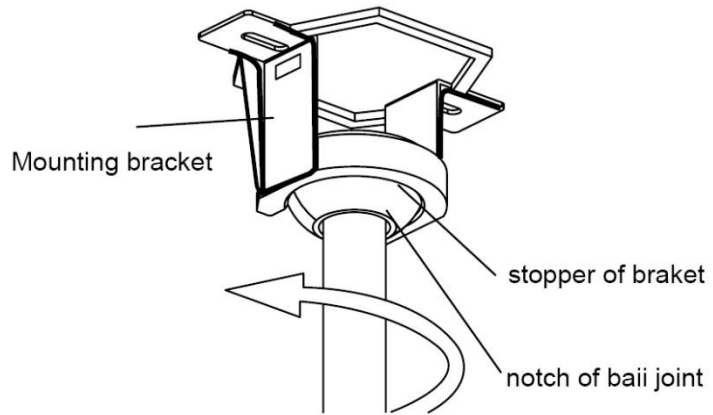


Figure 9

**WARNING**

Failure to seat tab in groove could cause damage to electrical wires and possible shock or fire hazard.

To avoid possible shock, do not pinch wires between the down rod/hanger ball assembly and the hanger bracket.

**4****Secure the safety cable to ceiling joist or structure member support cable.**

**NOTE:** Ceiling support cable cannot be secured to outlet box only, it must be directly secured to ceiling joist or structural member using the 3/16" x 35mm wooden screw and washer.

Using the 3/16" x 35mm wooden screw and flat washer, attach safety cable to ceiling joist or wood structural member. The wooden screw will pass through the flat washer, safety cable loop, and into the building structures. You will first drill a 3.5mm pilot hole into the building structure to prevent splitting or cracking.

Make sure the electrical supply wires, including the mounting bracket grounding wire and safety cable is pulled through the down rod, between the mounting bracket and the outlet box so that electrical connections can be made later

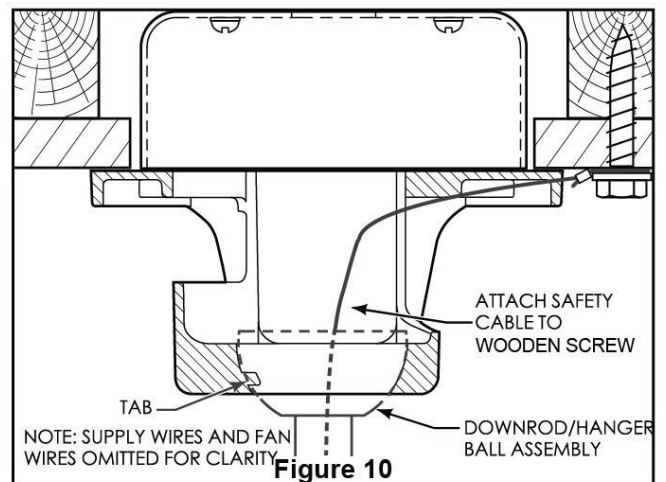


Figure 10

5

Connect wires to supply/grounding wires using connectors as shown below. After making the wire connections, the wire should be spread apart with the grounded Conductor (neutral Wire) and the equipment-grounding conductor (Ground Wire) on one side of the outlet box and the ungrounded conductor (Live Wire) on the other side of the outlet box. The splices after being made should be turned upward and pushed carefully up into the outlet box.

✘Use wire cap to connect the wires according to Figure 11. Ground wires are connected using a larger wire cap.

## WARNING

FOR YOUR SAFETY ALL ELECTRICAL CONNECTIONS MUST BE UNDERTAKEN BY A LICENSED ELECTRICIAN

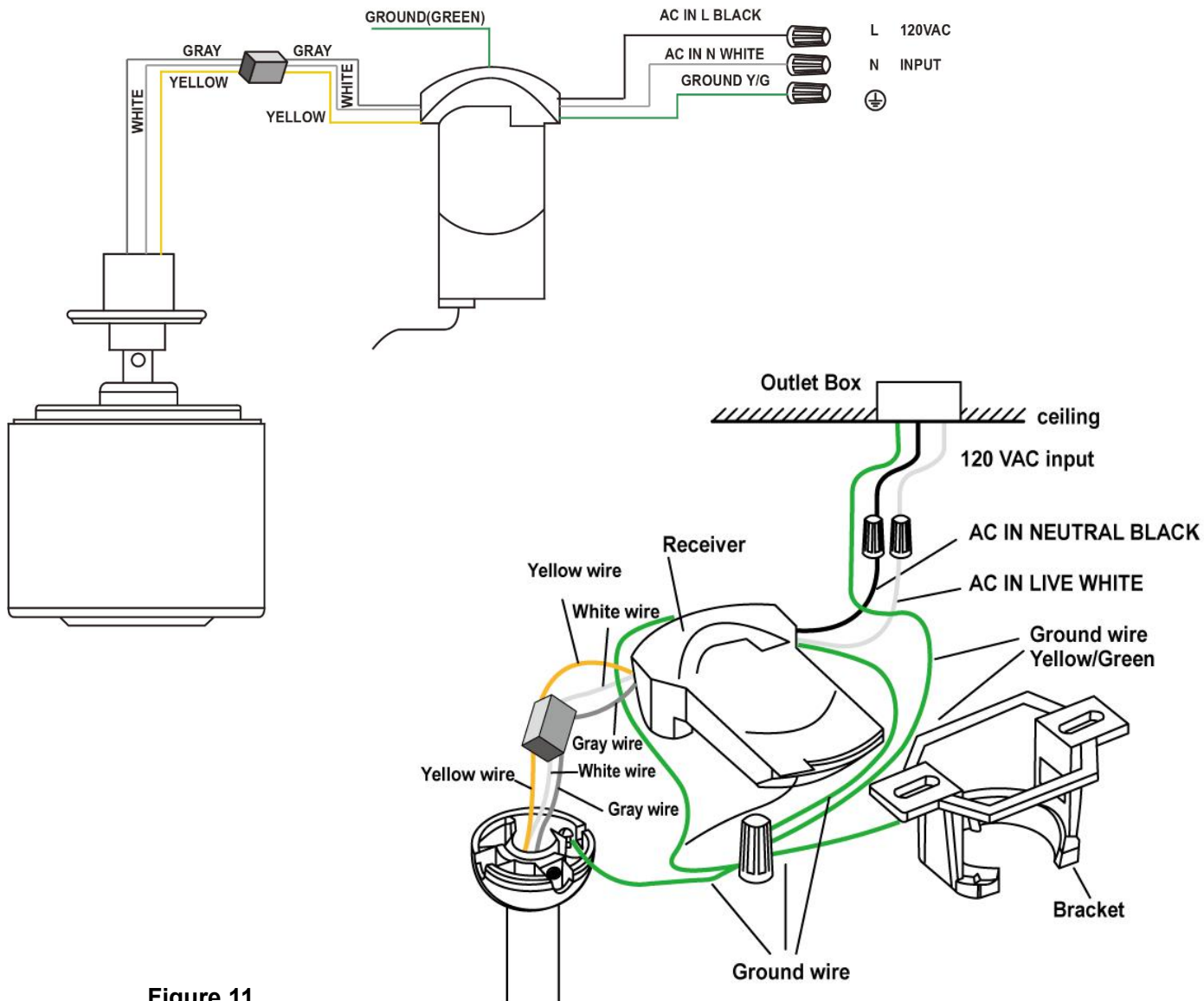


Figure 11

Once the connection has been made, slide the receiver into the mounting bracket, taking care not to pinch the wires. The canopy comes up to cover the receiver and mounting bracket.

# 6

## Install Canopy

Loosen 1 screw from the key hole of the mounting bracket bottom and remove 1 screw from the round hole of the mounting bracket bottom.

Slide the canopy up to the mounting bracket and place the key hole on the canopy over the screw on the mounting bracket, turn canopy until it locks in place at the narrow section of the key hole, secure it by tightening the 1 set screw to the key hole.

Secure the screw removed from the round hole into the round hole.

Finally attach the canopy cover to canopy and secure it by pushing the lugs into the holes.

Figure 12

### Key Hole

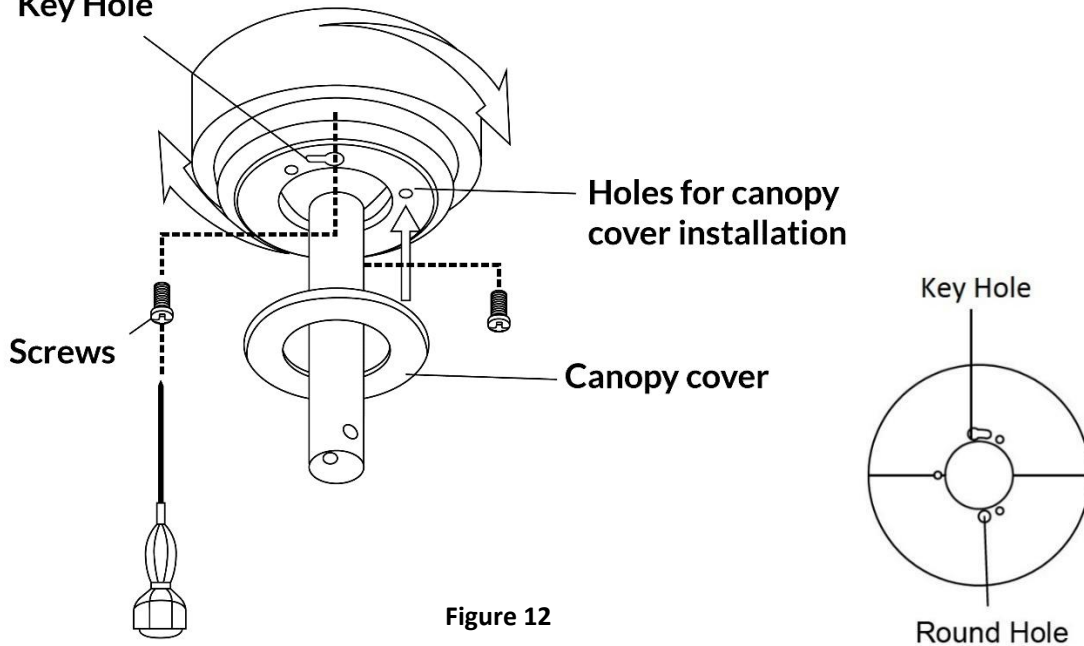


Figure 12

# 7

## Attach Fan Blade

Attach the blade to blade bracket kit and secure the blade to blade holder by tightening 3 screws.

Figure. 13

Attach the blade bracket assembly to motor and secure it by tightening the 2 screws. Figure 14

Repeat to install the other blades.

Finally install the bottom cover to shaft of motor by rotating it clockwise

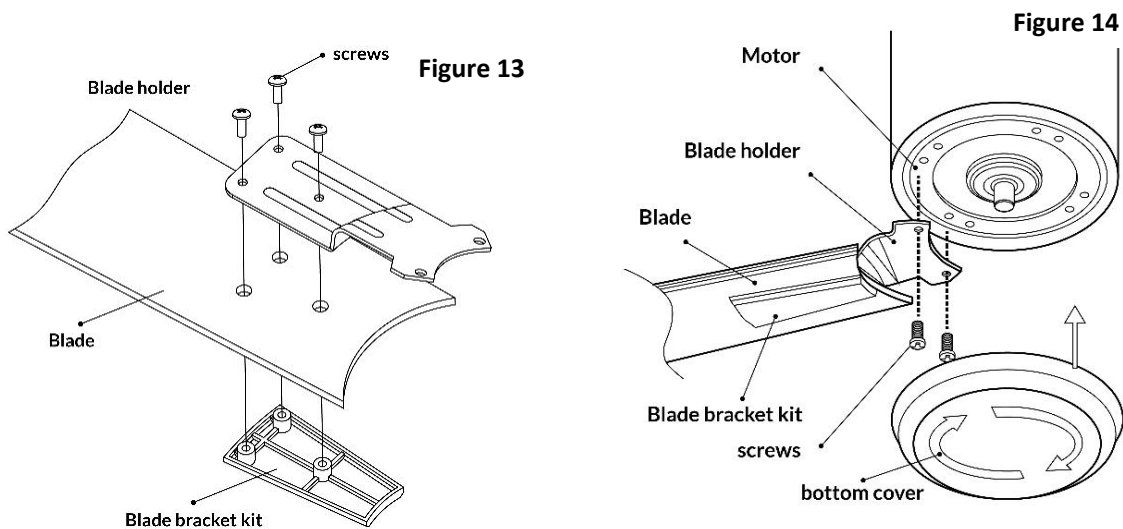


Figure 14

# REMOTE CONTROL

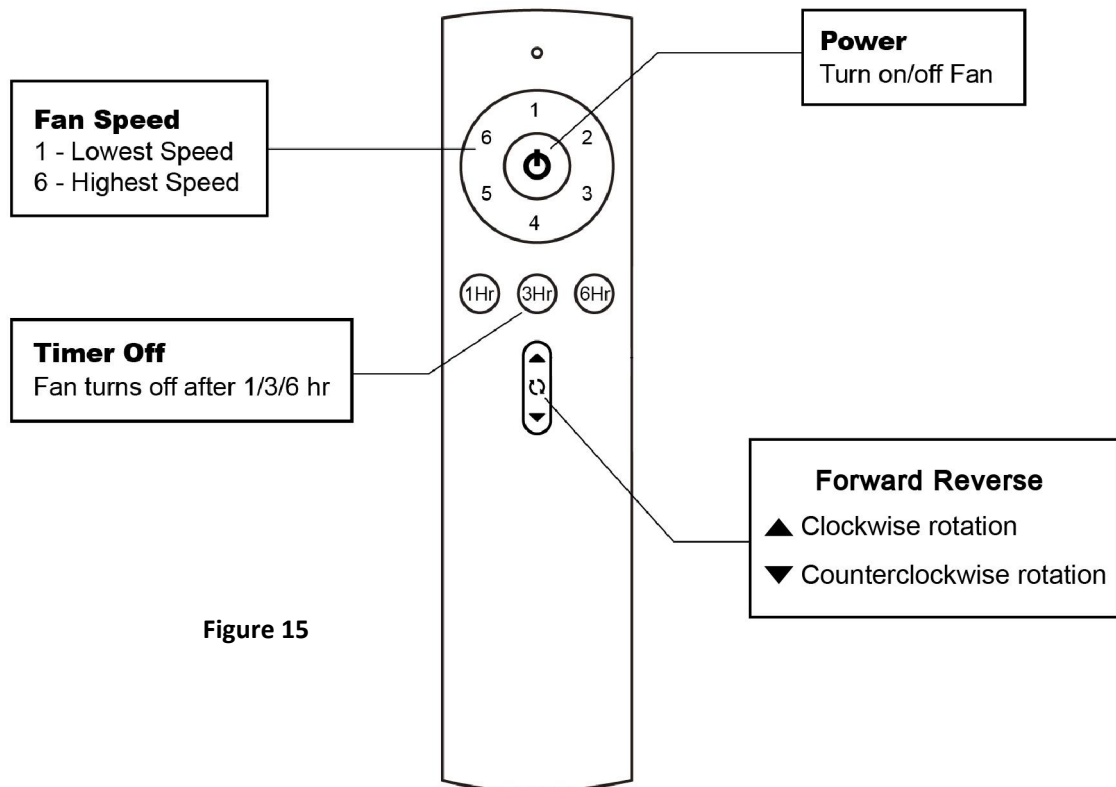



Figure 15

The control system has a last memory function. The system stores the current setting in memory upon power down and restore setting on next power up.

The remote control and fan are pre-programmed. If, however they don't function together when first installed, or you wish to control 2 fans using the same remote, or pair a replacement remote control to your existing fan, use the following procedure.

## Remote Pairing Instruction

DO NOT PRESS ANY OTHER BUTTONS DURING THIS PROCESS

1. Disconnect power to the fan and wait 1 min.
2. Turn on power to fan and wait 5 seconds.
3. Within 30 sec., press  and hold "Power" (ON/OFF) button for 6 sec.
4. Once receiver has detected the signal it will beep and the programming procedure is complete.

## BALANCING / WOBBLYING TROUBLE SHOOTING

Please note that all ceiling fans are not the same, even in the same model—some may move more or less than others. Movement of a couple of centimeters is quite acceptable and does not suggest the fan will fall down.

Even though all blades are weighted and grouped by weight, it is impossible to eliminate wobble altogether. This should not be considered a fault. Ceiling fans tend to move during operation due to the fact that they are not generally rigidly mounted.

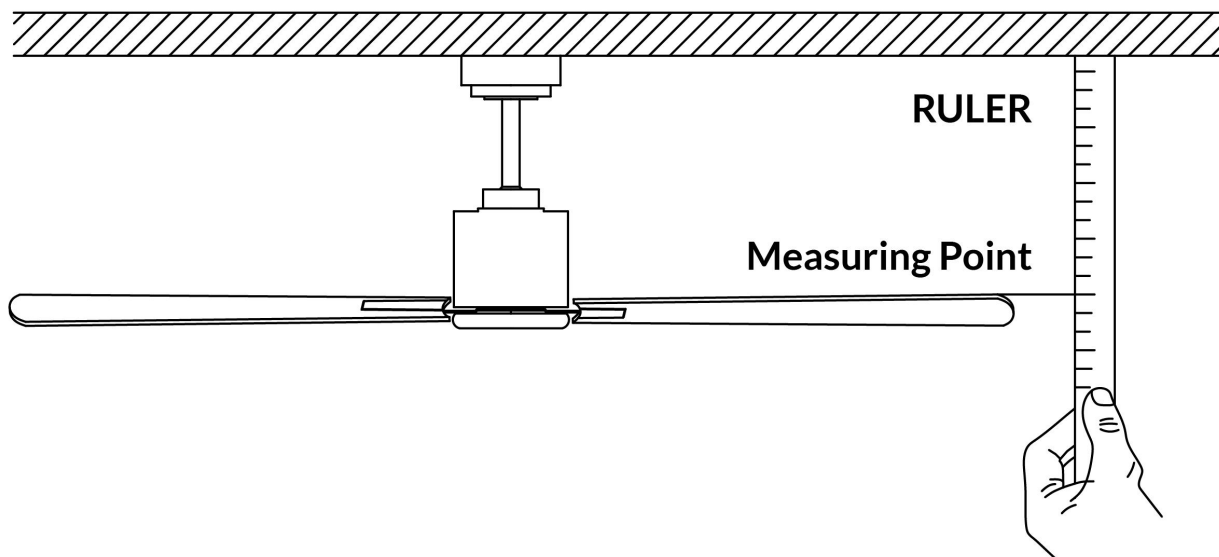
You may do the following action to reduce the wobbling

- 1) Check all the blade mounting screws are tightened and securely.
- 2) Wobbling problems may result from inconsistent blade level. To check blade level, measure the distance from each blade tip to the ceiling.

Note: If measurements are inconsistent:

- check blade mount screws are not over tightened or loose, which can cause the blade tip to not all sit level;
- An out of shape blade can cause wobbling, check by removing the blade and lay in on a flat surface. A good flat blade will lay flat on the surface.

- 3) Blade tracking may be checked simply by use of a household ruler as shown in below Figure. Place the ruler vertically against the ceiling and even with the outside leading edge of a blade. Note the distance of the edge of a blade same as others. Turn the blade slowly by hand to check the remaining blades. If a blade is not in alignment, the blade is either out of shape / warped or the blade screws are not evenly tightened or either loose.



# MAINTAINANCE

Periodic cleaning of your ceiling fan is the only maintenance required. Use a soft brush or lint free cloth to avoid scratching the paint finish. Please turn off electricity power when you do so. Do not use water when cleaning your ceiling fan. It could damage the motor or the wooden blades and create the possibility of an electrical shock.  
 Motor has permanently lubricated ball bearing. No need to oil.

# ABOUT THE FAN

<b>WARRANTY SERVICE</b>	<b>—ALL ELECTRIC MOTORS ARE AUDIBLE TO SOME EXTENT.</b>
<b>WOBBLE</b>	<p>Ceiling fans tend to move during operation due to the fact that they are not generally rigidly mounted - if they were, they could generate excessive ceiling vibration and stress on their mountings.</p> <p>Movement of a couple of centimeters is quite acceptable and does not suggest the fan will fall down.</p> <p>Ceiling fans are mounted very securely on steel brackets with rubber cushioning or with ball-joints to allow free movement.</p> <p>Please note that all ceiling fans are not the same, even in the same model - some may move more or less than others.</p>
<b>NORMAL WEAR AND TEAR</b>	<p>Threaded components working slightly loose or blade brackets even slightly bent due to vigorous cleaning or bumping can cause extra wobble and noise. THIS IS NOT COVERED UNDER WARRANTY- but a little care and maintenance can reduce or prevent this problem.</p>
<b>BUMP-IN-THE NIGHT</b>	<p>This is the biggest cause for service calls, which are outside the manufacturer's warranty. If a fan has a fault, it will be noticeable at all times. Naturally, when everything is quiet at night, you will be more inclined to hear small noises, which may not be noticeable at other times. Even slightly power fluctuations, and mains frequency signals superimposed in your electricity supply for off-peak hot water control may cause a change in fan motor noise. This is normal.</p>

# TROUBLE SHOOTING

If you have difficulty operating your new ceiling fan, it may be the result of incorrect assembly, installation, or wiring. In some cases, these installation errors may be mistaken for defects. If you experience any problems, please check the following trouble shooting guide. If a solution to the problem cannot be found, please consult with a licensed electrician. Do not attempt any electrical repairs by yourself. For your own safety, turn off power at fuse box or circuit breaker before trouble shooting your fan.

## WARNING

THE CEILING FAN MUST BE SWITCHED OFF, BEFORE TROUBLESHOOTING IS PERFORMED.

Trouble	Probable Causes	Suggested Remedy
<b>Fan does not start</b> (Warning: THE ceiling must be switched OFF, and the assistance of a licensed electrician maybe required.)	1. Fuse or circuit breaker blown. 2. Loose power connections to the fan. (normally occur during installation. 3. No response from the remote transmitter 4. Switch the Fan ON via the mains witch.	1. Check main and branch circuit fuses or circuit breakers. 2. Check power connections to fan. Must be performed by a Licensed Electrician. 3. Battery is low. Replace batteries. - Check if correct remote transmitter is paired with the receiver. 4. Check if there is power to the fan.
<b>Fan Wobbles</b> (Refer to Wobble section of the manual for further information.)	1. Fan blades are not horizontal to ceiling. 2. Blade screws are loose. 3. Blade/s are out of shape	1. Refer to “wobbling fixing” section of manual. - The blade may require adjustment at the blade mounting screws; - The blade is out of shape, thus causing wobbling. New blades set will require to be replaced. Contact retailer for further details. 2. Make sure all screws are securely fastened. 3. Remove blade and lay on a flat surface to check if blades are out-of-shape. Contact retailer for further details.
<b>Fan sound noisy</b>	1. Top canopy touching ceiling. 2. Loose fan blade screws. 3. Ceiling fan not secured against ceiling. 4. Incorrect speed controller	1. Lower Canopy from ceiling to ensure minimum 3mm clearance. 2. Re-tighten all screws on fan blades but never over-tighten. 3. Re-tighten all screws in the mounting bracket or plate. 4. Change the controller to the one supplied. (Must be performed by a Licensed Electrician.)
<b>Mechanical Noise</b>	Allow at least for 8 hours settling-in period.	



## Warranty Information

Register your product at our website:



Or visit [iLivingUSA.com/register-product](https://www.ilivingusa.com/register-product)

## Feedback

Love it? Help us make the product more for you.



Let us know with a customer review.

Please visit: <https://www.amazon.com/review/review-your-purchases#>

At iLivingUSA, we are committed to bringing top quality products to our customers.

iLIVING USA  
860 Mahler Rd  
Burlingame, CA 94010  
Tel: 1-800-317-1688  
Email: [service@ilivingusa.com](mailto:service@ilivingusa.com)



Like us on Facebook: <https://www.facebook.com/ilivingusa/>



Follow us on Twitter: @iLIVINGUSA

Check out our website: [www.ilivingusa.com](http://www.ilivingusa.com)