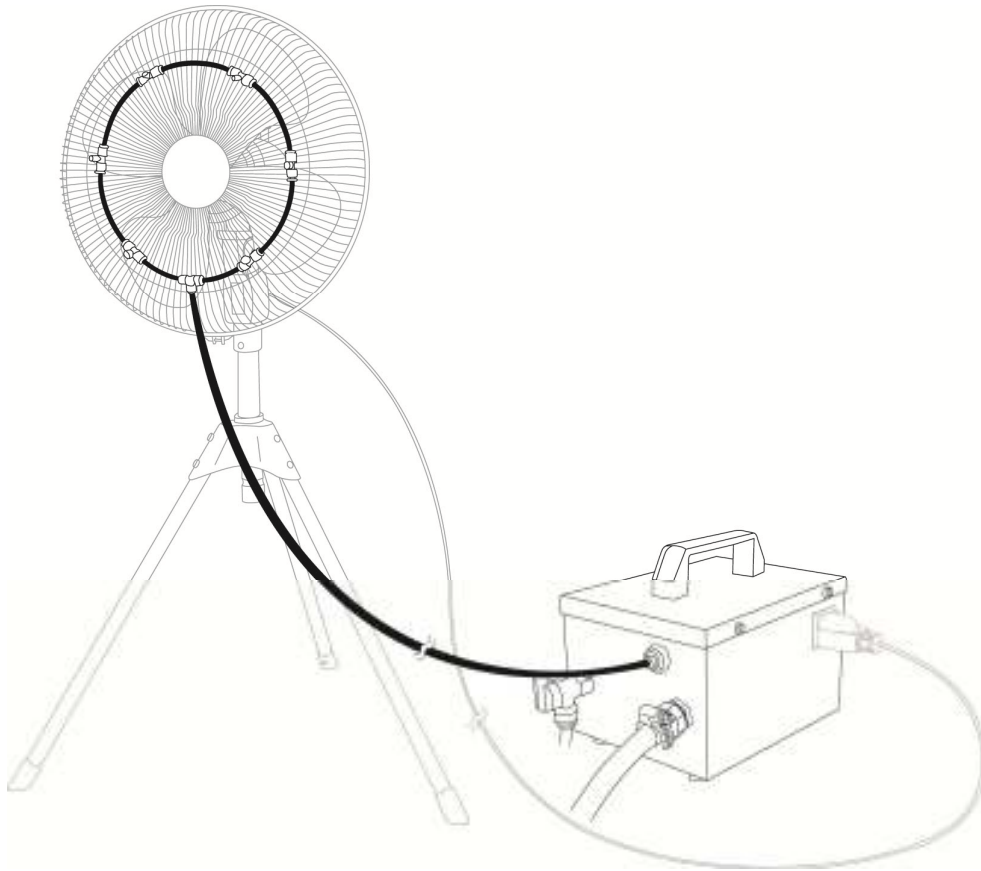




## Misting Kit



Model Number: ILG-250

Owner's Manual

PLEASE READ AND  
SAVE THESE INSTRUCTIONS

# Important Safety

## Information

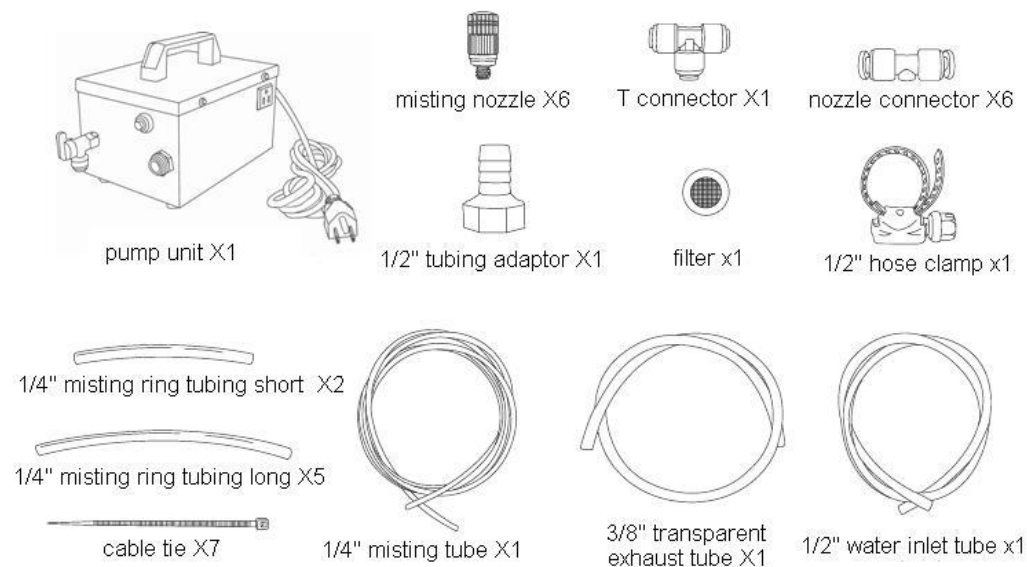
To reduce the risk of fire, electric shock, or personal injury, read all the instructions before using this device. This appliance is intended for personal use only. Please consult the manufacturer for other use such as outdoor or commercial applications such as gardening, agricultural etc. The use of components and accessories other than the ones provided in this package are not recommended by iLIVING and may cause hazards and void the warranty.

**Warnings** describe serious consequences resulting from misuse of this product.

### Warning!

- Read all instructions before using this misting kit.
- Use this misting kit only as described in this manual. Any other use not recommended by the manufacturer may cause fire, electric shock, or injury to persons or damage to property.
- This unit is NOT for industrial usage. DO NOT use the unit in factory or workshop where there's a high level of dust. ALWAYS CONSULT THE MANUFACTURER IF YOU HAVE QUESTIONS IN USING THE UNIT IN AN OUTDOOR ENVIRONMENT.
- Do not insert or allow foreign objects to enter any opening as this may cause an electric shock, fire or damage to the misting kit.
- Do not use on soft and slope surfaces, such as a bed, where stability is not ensured. Kit will vibrate during operation; use the kit on flat, hard surfaces only.
- Never locate the kit where it may fall into a bathtub or other water container as it will cause serious electric shock.
- Do not use kit in areas where gasoline, paint or flammable liquids are used or stored.
- Do not let kit run dry without water supply.
- When connected directly to water faucet, adjust water flow to adequate amount. Water pressure and water flow rate that are too high will damage and burst the kit components. A blow out may cause serious damage and danger to person.
- Extreme caution is necessary when kit is in use. Keep kit away from children or person with physical challenges. Never leave the kit unattended when operating.
- The socket provided allows 120VAC and 5 Amp rating. Never over loading the limit.
- When there is a leakage of water from the kit, immediately cease using the kit.

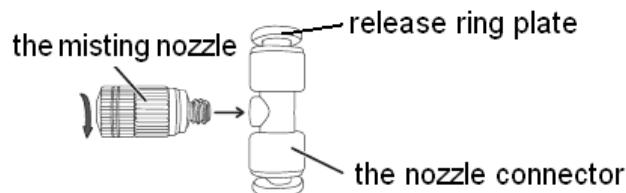
## Contents:



## Assembly the kit

### 1. Nozzle unit:

Twist the misting nozzle to the nozzle connector by hand in clockwise direction, ensure the nozzle is tightly secure but not over twisted.



### 2. The misting ring:

Use the [1/4" misting ring tubing long] to link up the 6 [nozzle units] from 1. Insert the tubing into the nozzle connector's side hole. Make sure the tubing is in line with the hole, then insert tube into connection hole until it stops; may need some strength.

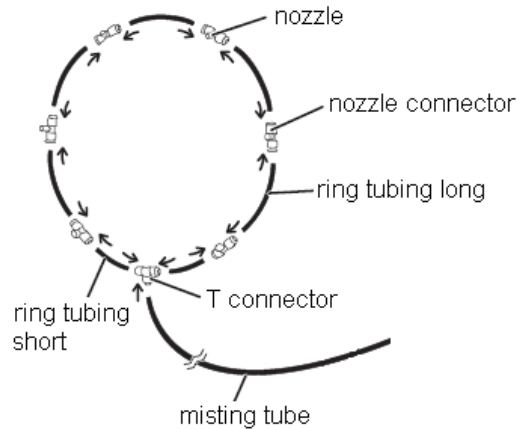
**CAUTION!** If tube has not been inserting properly, leakage may result. To redress the leakage, twist and shake the tube, then re-insert the tube into the connector.

**TIPS !** How to remove and re-insert the tube:

Press down on the [release ring plate], hold the tube and push inward a little and then draw it out. Now you can re-insert the tube again for a proper connection.

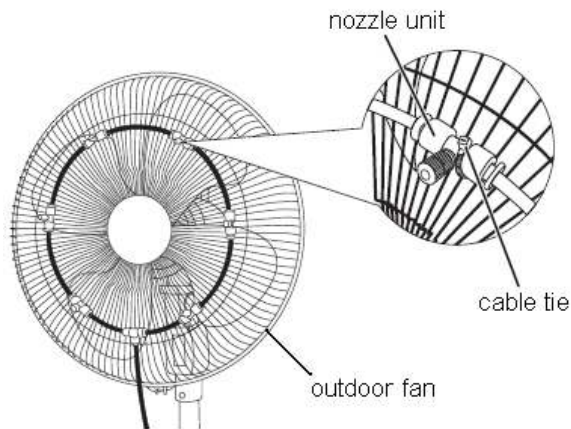
Use the [1/4" misting ring tubing long] to link the end side [nozzle units]. Then use the [1/4" misting ring tubing short] to connect the end side of a nozzle unit and the end side of the T connector. Now a misting ring has completed.

Insert the [misting tube] to the [T connector]



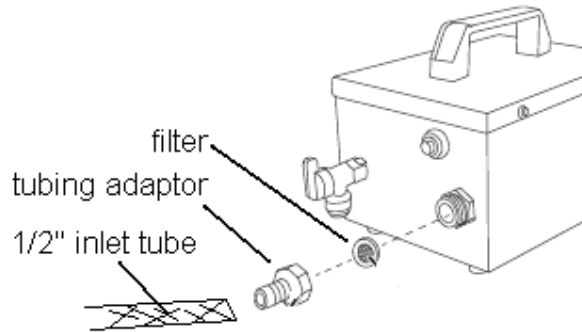
3. You can now put the ring onto an outdoor fan. Use the cable tie to tie the ring to the fan's front mesh. Fan can use the power socket provided by the pump unit or any other appropriate wall socket.

**CAUTION!** The socket only provides 120VAC 5AMP rating. Never overload the socket.

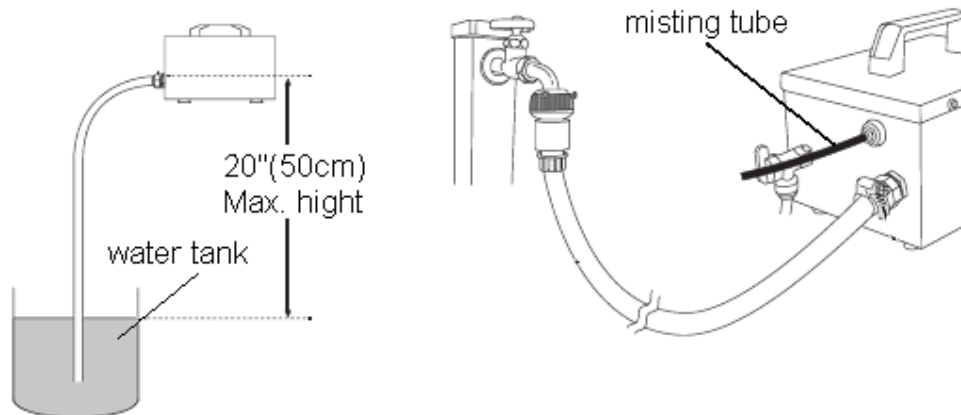


4. Insert the misting tube to the [mist outlet connector], refer to page 6, of the pump unit.

- Put the filter inside the [tubing adaptor]. Screw the [tubing adaptor] to the [water inlet connector]. Insert the 1/2" tube to the adaptor. Use the hose clamp to secure the tube to the adaptor.

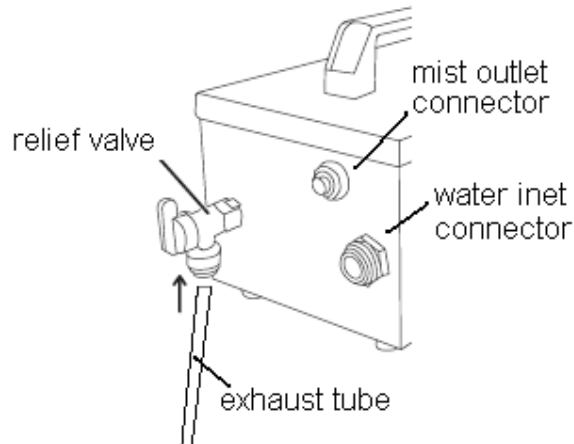


The other end of the 1/2" tube can be set free into a water tank or it can be connected directly to a water faucet. Faucet adaptor is not included.

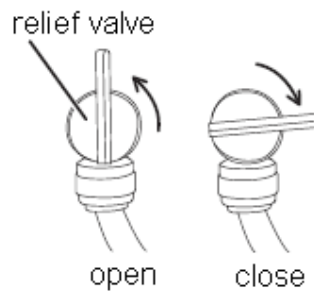


**TIPS!** A [Calcium Inhibitor Filter] can be connected between the tube and the faucet. It is a good habit to always have this filter included for quality water supply, and to prevent early clogging of the nozzle. The inhibitor filter is NOT included.

- Insert the [exhaust tube] to the relief valve; a connection hole is under the relief valve. The relief valve is used for draining out air bubbles from the pump to prevent air lock phenomenon.



**TIPS!** The pump tubing will always catch air when pump starts drawing water in. Air being sucked into the tubing will quickly form bubbles. When bubbles are big enough, it will block the water flow inside the tubes or reduce the pump pressure, thus weakening the misting effect.



So, every time you start the pump, open the relief valve and exhaust the [air/water] stream for about 15 seconds (or more, depending on when the air/water stream becomes pure water stream). Then close the valve and start misting.

Somehow, the misting effect is not perfect; it is because there is still air inside the tubing. Open the valve again, exhaust the air/water stream again, and then close valve to see the misting effect. You can repeat this procedure many times to get a fine misting results.

## Operation

1. Attach the misting ring to a fan.
2. Place the pump unit in an appropriate location.
3. Insert the misting tube into the [mist outlet connector].
4. Connect the water inlet tube to the [water inlet connector].
5. Drop the water inlet tube into a water tank or connect it to a faucet.
6. Attach the exhaust tube to the relief valve. Open the valve!
7. Plug the pump unit power cord.
8. Power on the pump unit.
9. See water draw from tank into the pump unit and drain out from the exhaust tube.
10. Or turn on the faucet and see water drain out from the exhaust tube.

**CAUTION!** Adjust water flow of the faucet in an appropriate rate, an adequate amount for misting purpose. Too high of a water pressure and water flow rate will damage the kit and burst kit components. A blow out may cause serious damage and danger to person.

11. When exhaust tube has a steady flow of pure water stream, close the relief valve.
12. Now you can see the misting effect.
13. Turn on the fan for more comfort result.

**CAUTION!**

If a water tank is the water supply source, monitor the amount of water. Replenish water when water level is low. Never let the kit run dry!

**SPECIFICATION**

Voltage: 110~120VAC 50/60HZ

Pump current: 0.33A

Socket capacity: 120V 5A

Misting pressure: 130~200PSI (within this range, the pump is working good)

Nozzle: 0.2mm non-dripping type, stainless steel head

Performance: 2~8 degree temperature drop can be achieve within the misting mini environment

**WARRANTY**

This Misting Kit comes with a ONE YEAR LIMITED COMPONENT WARRANTY. If your unit does not appear to be working properly, please contact our service center by calling 1-800-317-1688. Prior to your call, we encourage you to visit our service related website [www.ilivingusa.com](http://www.ilivingusa.com) for troubleshooting tips and possible service instructions if needed.

**iLIVING USA**  
**Division of TLM International, Inc**  
**860 Mahler Road**  
Burlingame, CA 94010  
**Email: [service@ilivingusa.com](mailto:service@ilivingusa.com)**  
**Phone: 1-800-317-1688**