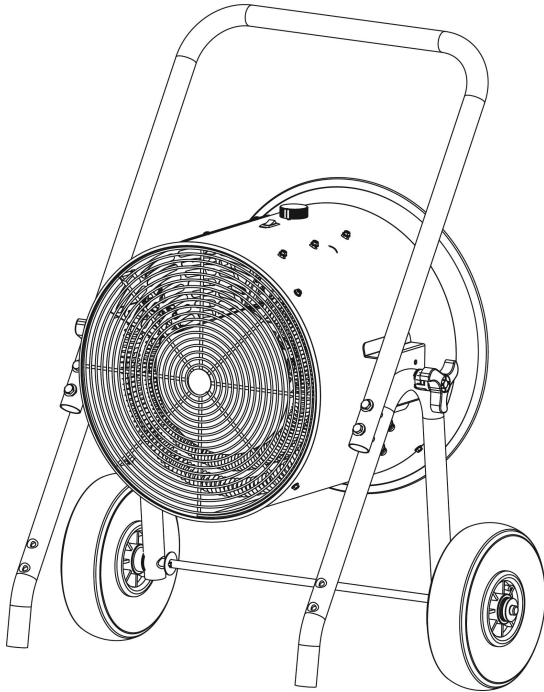




Salamander Heater

OWNER'S MANUAL



Model: DR-PS11024 10KW 240V 60Hz 1P
DR-PS11524 15KW 240V 60Hz 1P
DR-PS31520 15KW 208V 60Hz 3P

IMPORTANT INSTRUCTIONS READ & SAVE

TABLE OF CONTENTS

Important Instructions.....	3-4
Parts of the Heater	5
Installing Instructions.....	6-9
Specifications and Wiring Diagram.....	10-14
Operating Instructions.....	15
Maintenance and Cleaning.....	16
Warranty Information	17

IMPORTANT INSTRUCTIONS

PLEASE READ ALL INSTRUCTIONS BEFORE USING THIS HEATER

NOTE: There may be a trace of smoke or odor when unit is first operated. Don't be alarmed. This indicates that a drop of oil fell on the heating coil during the manufacturing process. It will quickly evaporate and should not re-occur.

Make sure that the room in which the appliance is located is well ventilated during this operation. It is normal for the appliance to emit small cracking sounds when you turn it on for the first time. Do not be alarmed.

WHEN USING ELECTRICAL APPLIANCES, BASIC PRECAUTIONS SHOULD ALWAYS BE FOLLOWED TO REDUCE RISK OF FIRE, ELECTRICAL SHOCK, AND INJURY TO PERSONS OR PROPERTY, INCLUDING THE FOLLOWING:

- 1) Read all instructions before using this heater.
- 2) This heater is hot when in use. To avoid burns, do not let bare skin touch hot surfaces. Keep combustible materials such as furniture, pillows, bedding, papers, clothes, and curtains at least 3 feet (0.9 m) from the front of the heater and keep them away from the sides and rear.
- 3) Extreme caution is necessary when any heater is used by or near children or invalids and whenever the heater is left operating and unattended.
- 4) Always switch off the heater when not in use.
- 5) Do not operate any heater after the heater malfunctions, has been dropped, or damaged in any manner. Disconnect power at service panel and have heater inspected by a licensed electrician before reusing.
- 6) Do not use outdoors.
- 7) To disconnect heater, turn off power to heater circuit at main disconnect panel.
- 8) Do not install closer than 4 feet (1.2 m) from any adjacent vertical surfaces. Keep at least 1 foot (0.9 m) away from the back wall, regardless of whether the wall mounting bracket is used.

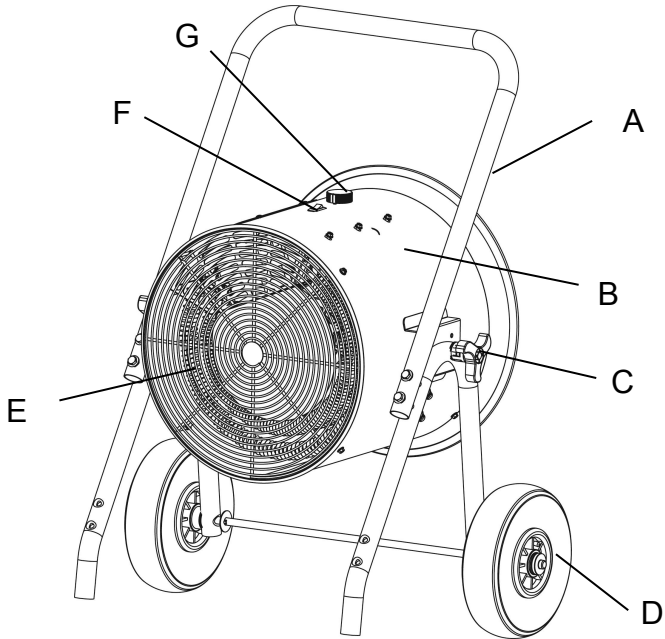
- 9) When heater is installed on the cart, make sure the cart is positioned on a level surface. Keep at least 4 feet (1.2 m) from any adjacent vertical surface or wall. Keep at least 1 foot (0.9 m) from the back wall.
- 10) Do not insert or allow foreign objects to enter any ventilation or exhaust opening as this may cause an electric shock or fire, or damage the heater.
- 11) To prevent a possible fire, do not block air intakes or exhaust in any manner.
- 12) A heater has hot and arcing or sparking parts inside. To reduce the risk of fire, do not use it in areas where gasoline, paint, or flammable vapors and liquids are used or stored.
- 13) Use this heater only as described in this manual. Any other use not recommended by the manufacturer may cause fire, electric shock, or injury to persons.
- 14) This product must be installed by a certified/licensed electrician, in accordance with local codes.
- 15) Do NOT use an extension cord.
- 16) This heater is not intended for use in bathrooms, laundry areas and similar indoor locations. Never locate heater where it may fall into a bathtub or other water container.

PET OWNER'S WARNING:

The health of some small pets including birds are extremely sensitive to the fumes produced during the first-time use of many appliances. These fumes are not harmful to humans but we recommend that you do not use your heater around birds and other small pets during its initial use until the anti-corrosion coatings burn off.

SAVE THESE INSTRUCTIONS

PARTS OF THE HEATER



- A. Handle
- B. Heater Housing
- C. Tilt adjustable knob
- D. Wheel
- E. Front Grill
- F. ON/OFF Switch
- G. Temperature Setting Knob

INSTALLING INSTRUCTIONS

WARNING: All wiring must be installed by a certified/licensed electrician.

The heater must be grounded in accordance with all national and local building codes.

All wiring procedures and connections shall be in accordance with the relevant national and local codes.

Before installation:

Disconnect the main supply connection.

DR-PS11024, the heater must be connected to an individual branch circuit protected by a 55 Amp circuit breaker.

Supply cables must be equipped with a dual pole circuit breaker rated at least 240V 55A/pole as the main cutoff switch of power to the heater.

DR-PS31520, the heater must be connected to an individual branch circuit protected by a 55 Amp circuit breaker.

Supply cables must be equipped with a dual pole circuit breaker rated at least 208V 55A/pole as the main cutoff switch of power to the heater.

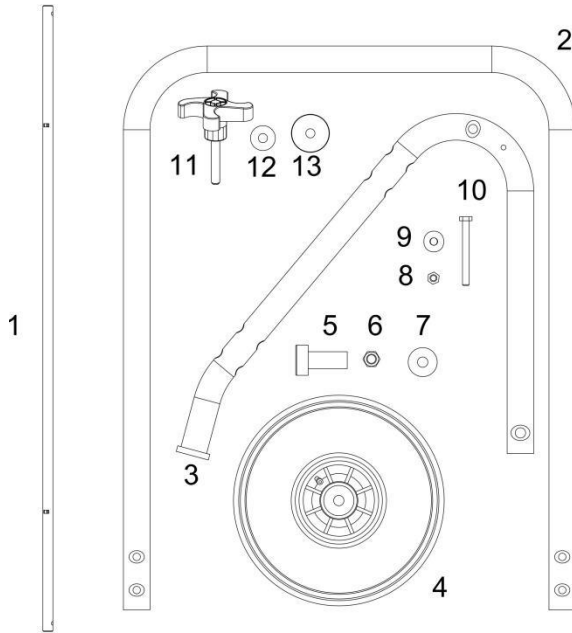
DR-PS11524, the heater must be connected to an individual branch circuit protected by an 80 Amp circuit breaker.

Supply cables must be equipped with a dual pole circuit breaker rated at least 240V 80A/pole as the main cutoff switch of power to the heater.

WARNING: To reduce the risk of fire, do not store or use gasoline or other flammable vapors and/or liquids in the vicinity of the heater.

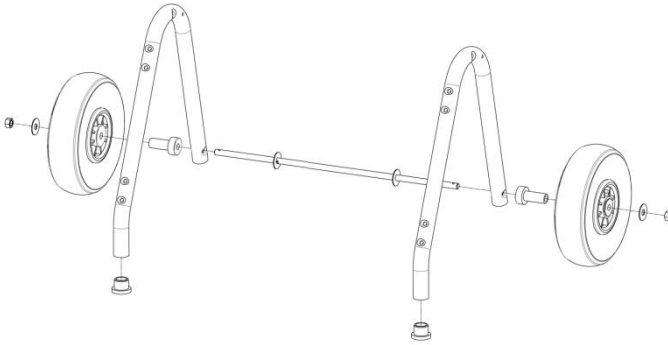
INSTALLATION INSTRUCTIONS:

1. Open the package; take out the heater and the foot stand parts.
The parts list as below:

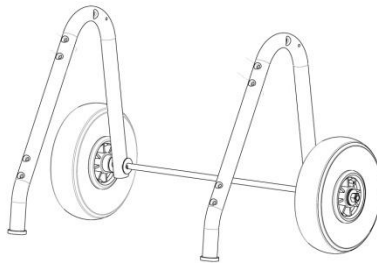


No.	Item	Spec	Quantity	No.	Item	Spec	Quantity
1	Axle		1	9	Washer	Φ8	8
2	Handle		1	10	Screw	M8X80	4
3	Foot Stand		2	11	Knob		2
4	Wheel		2	12	Washer	Φ10	2
5	Axle Sleeve		2	13	Rubber Pad	Φ50X10	2
6	Nut	M12	2				
7	Washer	Φ12	4				
8	Nut	M8	4				

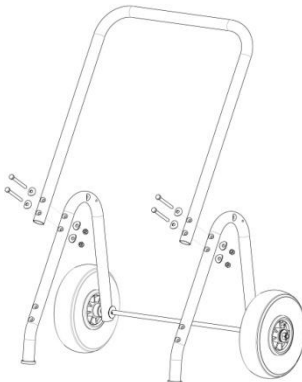
2. Use axle (item 1), axle sleeve (item 5), and washer (item 7) to assemble the foot stand and the wheels as shown below:



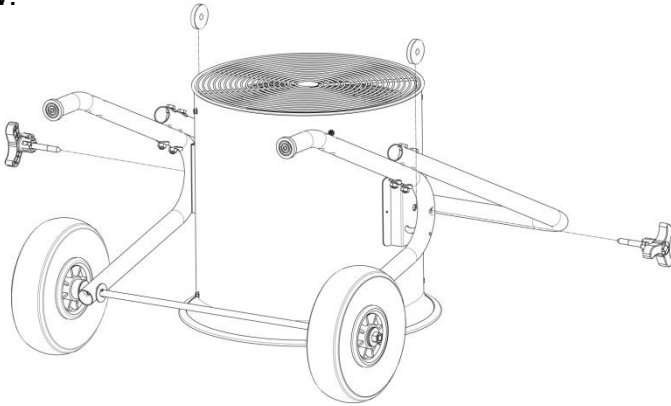
3. Tighten the nuts (item 6) to the wheels as shown below:



4. Use the screw (item 10), washer (item 9), and nut (item 8) to assemble the handle to the foot stand as shown below. Tighten the nuts.

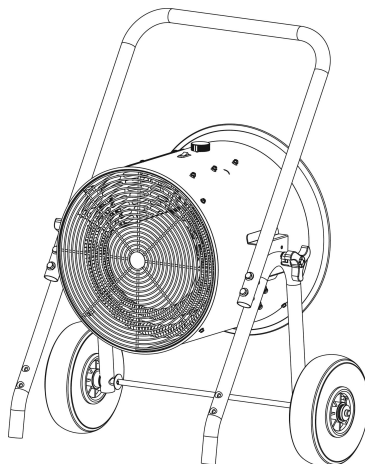


5. Use the rubber pad (item 13), washer (item 12), and the knobs (item 11) to assemble the heater to the foot stand. Tighten the knobs as shown below:



6. Run the electrical power supply cable in flexible conduit and connect to the wiring compartment.

7. Make the connections properly with connectors which are suitable for the conductor size, including ground wires. After making the connections, arrange the pigtail leads of unit and power supply wires in the wiring compartment.



SPECIFICATIONS

Salamander Heater with cart

Model: DR-PS11024

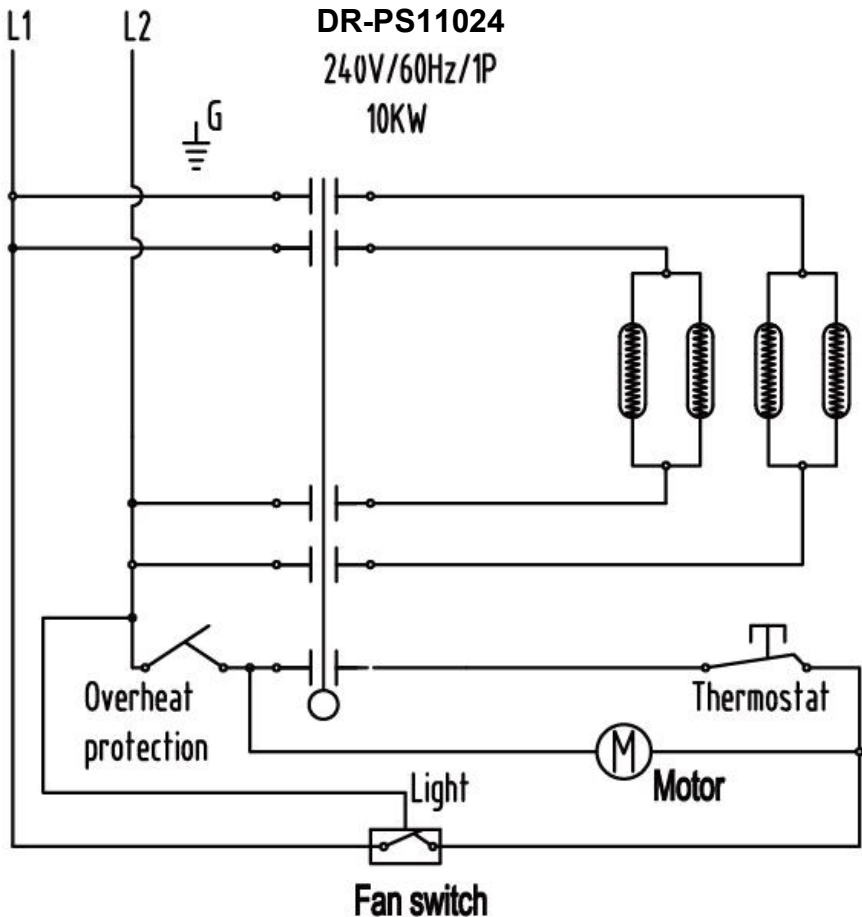
Volt: 240V, 1P

Watts: 10KW

Frequency: 60 Hz

Thermostat Temperature Range: 37°F~104°F (3°C~40°C)

Wiring diagram:



Model: DR-PS11524

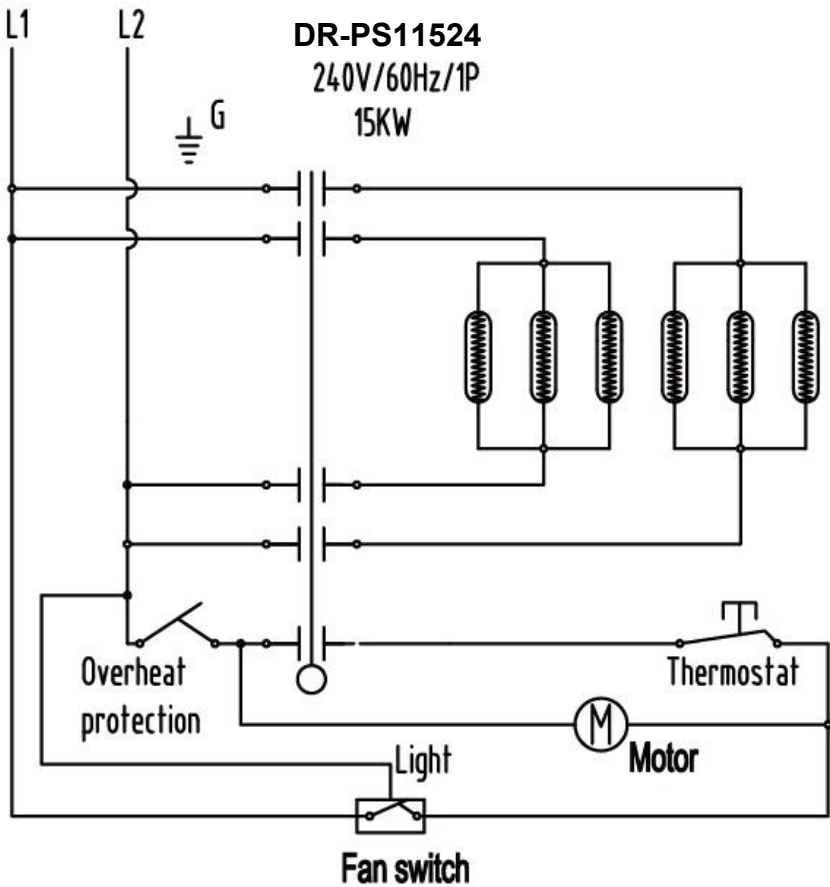
Volt: 240V, 1P

Watts: 15KW

Frequency: 60 Hz

Thermostat Temperature Range: 37°F~104°F (3°C~40°C)

Wiring diagram:



Model: DR-PS31520

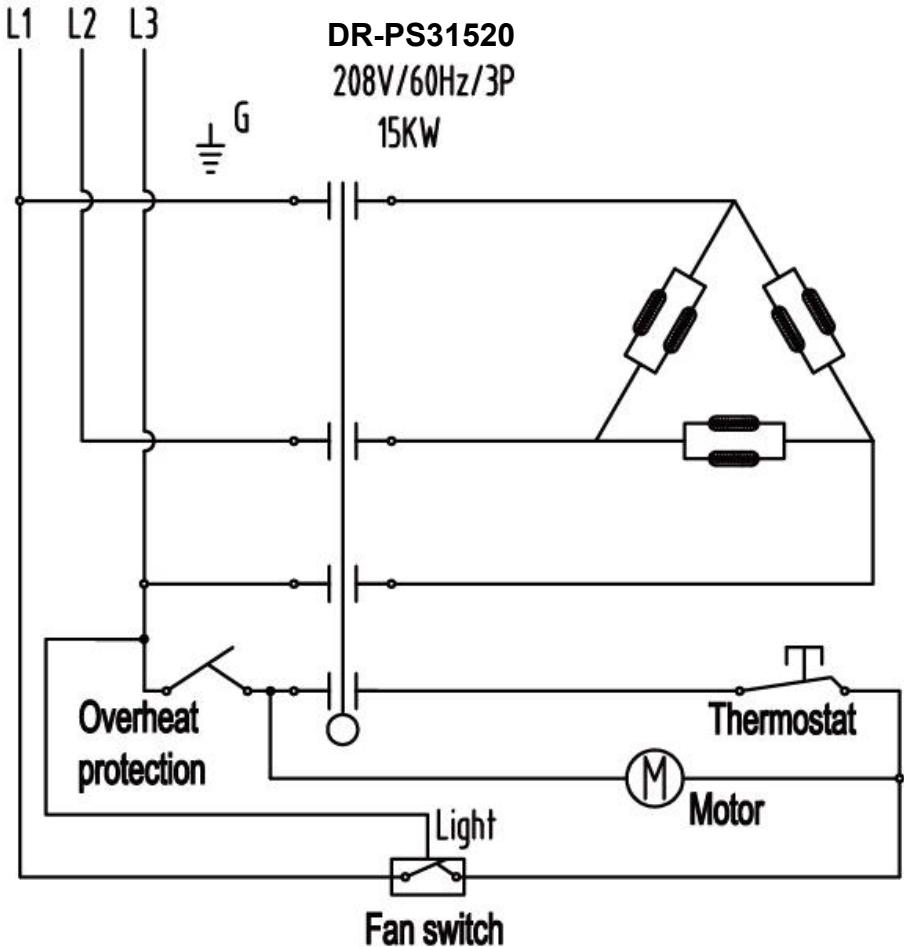
Volt: 208V, 3P

Watts: 15KW

Frequency: 60 Hz

Thermostat Temperature Range: 37°F~104°F (3°C~40°C)

Wiring diagram:



WIRING INSTRUCTIONS

For 1 Phase Model: PS-10241, PS-15241

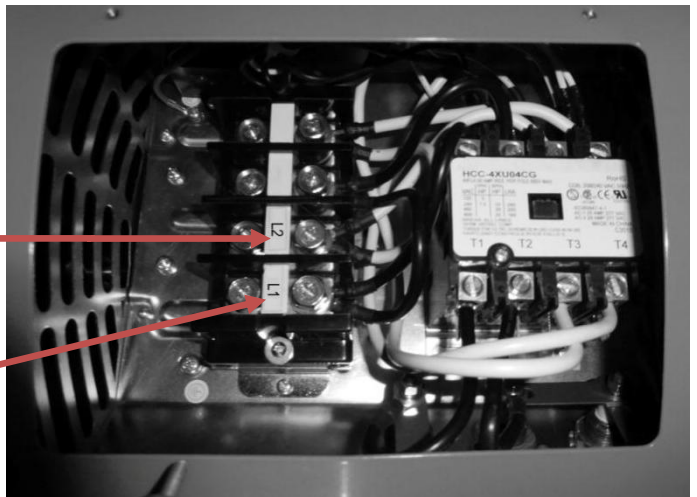
1. Open the wiring cover:



2. Connect the black live wire to L1, white live wire to L2 of the terminal block.

L2 White Wire

L1 Black Wire



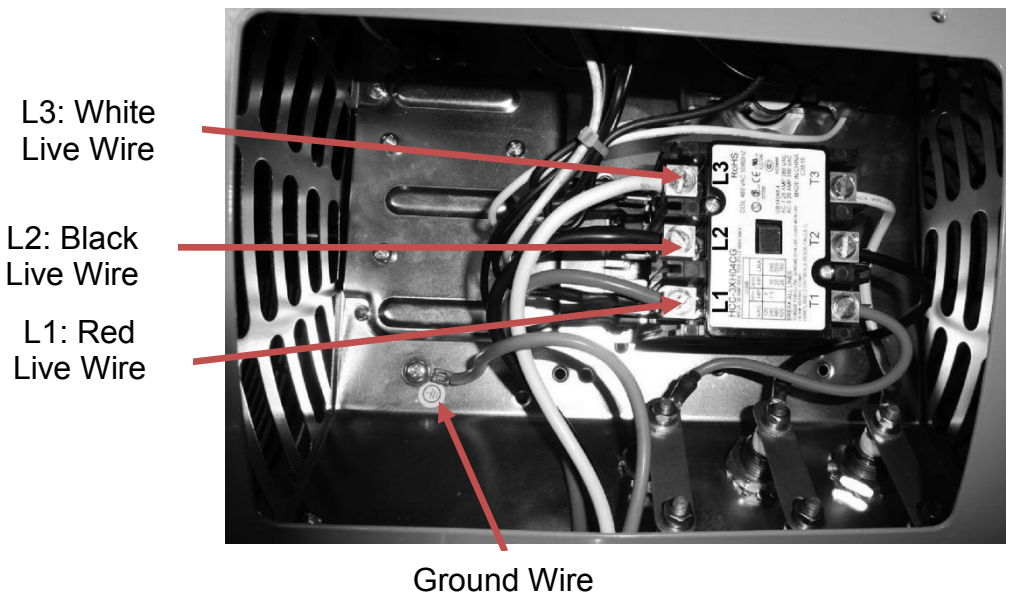
3. Re-install the wiring cover to the heater.

For 3 Phase Model: DR-PS31520

1. Open the wiring cover:



2. Connect the red live wire to L1, black live wire to L2, and the white live wire to L3 of the connector.



3. Re-install the wiring cover to the heater.

OPERATING INSTRUCTIONS

WARNING - The heater must be properly installed before it is used.

HAZARD OF ELECTRIC SHOCK, EXPLOSION, OR ARC FLASH :

- **Apply appropriate personal protective equipment (PPE) and follow safe electrical work practices. See NFPA 70E.**
- **A circuit breaker must be installed and serviced only by qualified electrical personnel.**
- **Always use a properly rated voltage sensing device to confirm power is off.**
- Switch the ON/OFF switch to ON position to turn on the heater. Then turn the thermostat to the farthest clockwise position. The power indicator light will turn on, the fan will engage, and the unit will begin heating the room. After the room reaches a comfortable temperature, turn the thermostat counterclockwise until the heater shuts off. The heater will automatically cycle around this preset temperature. To increase the temperature, turn the thermostat knob clockwise. To lower the temperature, turn the thermostat counterclockwise.
- Select a thermostat setting.
Ambient temperature is regulated by adjusting the thermostat to a desired position. Allow the unit to operate and warm up the room. When the desired temperature is reached, turn the control knob counterclockwise until the heater turns off. This is your ideal setting. The heater will start automatically when the room temperature drops below this set point, and will turn off when the set point is reached.
- To turn off the heater, switch the ON/OFF switch to OFF position.

MAINTENANCE AND CLEANING

No user maintenance on this heater should be undertaken except regular cleaning as described below. All other servicing or maintenance should be performed by qualified service personnel.

Before any cleaning, make sure that:

1. Power supply is disconnected at the source.
2. Wait 60 minutes to ensure the heating element has cooled down.
Your heater is now ready for cleaning.

Regular Cleaning:

1. Do not spray cleaning liquids or other chemicals on the unit.
2. Interior dust can often be removed by using a vacuum cleaner with a crevice tool attachment.
3. To clean enclosure, use a clean, soft, and lightly damp cloth to gently wipe off the dirt from the surface of the unit. Be sure not to wet the heating element or the switches. Allow the unit to dry completely before use.

CAUTION: DO NOT ALLOW WATER TO RUN INTO THE INTERIOR OF THE HEATER AS THIS COULD CREATE A FIRE OR ELECTRIC SHOCK HAZARD, DAMAGING THE UNIT.

WARRANTY INFORMATION

This heater comes with a ONE-YEAR LIMITED COMPONENT WARRANTY. If your unit does not appear to be working properly, please contact our service center by calling 1-800-317-1688. Prior to your call, we encourage you to visit our service related website www.DrHeaterUSA.com for troubleshooting tips and service instructions if needed.

Warranty Information

Register your product at our website:



Or visit DrHeaterUSA.com/register-your-heater

Feedback

Love it? Help us make the product more for you.



Let us know with a customer review.

Please visit: <https://www.amazon.com/review/review-your-purchases#>

At Dr. Heater USA, we are committed to bringing top quality alternative & supplemental heating products to our customers.

Dr. Heater USA
860 Mahler Road
Burlingame, CA 94010
Tel: 1-800-317-1688

EMAIL: SERVICE@DRHEATERUSA.COM

