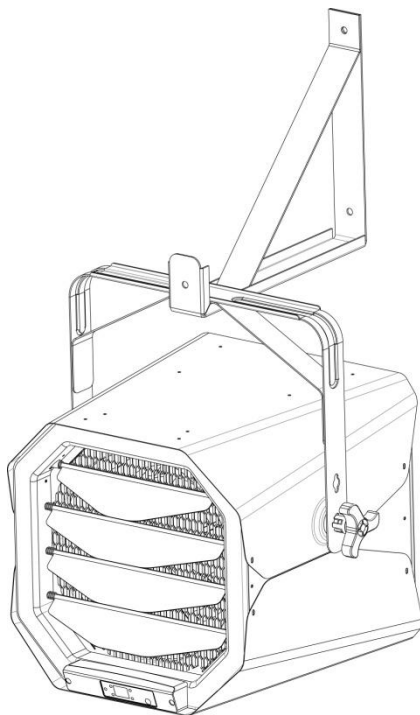




**10,000W/240V WALL / CEILING MOUNTED
GARAGE HEATER**

OWNER'S MANUAL



Model No.: DR-910F

10,000W 240V 60Hz

**IMPORTANT INSTRUCTIONS
READ & SAVE**

TABLE OF CONTENTS

Important Instructions.....	3-4
Installing Instructions.....	5-10
Specifications and Wiring Diagram	11
Parts of the Heater.....	12-13
Operating Instructions.....	14-17
Maintenance and Cleaning.....	18
Troubleshooting.....	19

IMPORTANT INSTRUCTIONS

PLEASE READ ALL INSTRUCTIONS BEFORE USING THIS HEATER

NOTE: There may be a trace of smoke or odor when unit is first operated. Don't be alarmed. This indicates that a drop of oil fell on the heating coil during the manufacturing process. It will quickly evaporate and should not re-occur.

Make sure that the room in which the appliance is located is well ventilated during this operation. It is normal for the appliance to emit small cracking sounds when you turn it on for the first time. Do not be alarmed.

WHEN USING ELECTRICAL APPLIANCES, BASIC PRECAUTIONS SHOULD ALWAYS BE FOLLOWED TO REDUCE RISK OF FIRE, ELECTRICAL SHOCK AND INJURY TO PERSONS OR DAMAGE TO PROPERTY, INCLUDING THE FOLLOWING:

- 1) Read all instructions before using this heater.
- 2) This heater is hot when in use. To avoid burns, do not let bare skin touch hot surfaces. Keep combustible materials, such as furniture, pillows, bedding, papers, clothes, and curtains at least 3 feet (0.9 m) from the front of the heater and keep such materials away from the sides and rear.
- 3) Extreme caution is necessary when any heater is used by or near children or disabled persons and whenever the heater is left operating and unattended.
- 4) Always switch off the heater when not in use.
- 5) Do not operate any heater after the heater malfunctions or has been dropped or damaged in any manner. Disconnect power at service panel and have heater inspected by a certified/licensed electrician before reusing.
- 6) Do not use outdoors.
- 7) To disconnect heater, turn off power to circuit breaker at main disconnect panel.

- 8) This heater should be installed at least 6 feet (1.8 m) from the floor and no closer than 1 foot (0.3 m) from any adjacent surfaces or walls. Keep at least 4.5 inches (0.12m) from the back wall, regardless of whether the wall mount bracket is used.
- 9) Do not insert or allow foreign objects to enter any ventilation or exhaust opening as this may cause an electric shock or fire and potentially damage the heater.
- 10) To prevent a possible fire, do not block air intakes or exhaust in any manner.
- 11) A heater has hot and arcing or sparking parts inside. To reduce the risk of fire, do not use it in areas where gasoline, paint, or flammable vapors and liquids are used or stored.
- 12) Use this heater only as described in this manual. Any other use not recommended by the manufacturer may cause fire, electric shock, or injury to persons.
- 13) This product must be installed by a certified/licensed electrician, in accordance with applicable local codes.
- 14) For supply cables, use 6 AWG (13.3 mm²) copper wires.

SAVE THESE INSTRUCTIONS

WARNING – RISK OF FIRE, DO NOT USE AS A RESIDENTIAL OR HOUSEHOLD HEATER.

INSTALLATION INSTRUCTIONS

WARNING: All wiring must be installed by a certified/licensed electrician.

The heater must be grounded in accordance with applicable national and local building codes.

WARNING: To reduce the risk of fire, do not store or use gasoline or other flammable vapors and liquids in the vicinity of the heater.

All wiring procedures and connections should be in accordance with applicable national and local codes.

NOTE: Compatible with a 240V Line Voltage Double Pole Wall Thermostat. Must be installed by a certified/licensed electrician.

Before installation:

Disconnect the main supply connection.

Supply cables should be 6 AWG (13.3 mm²) copper wires.

The heater must be connected to an individual branch circuit protected by a 60 Amp circuit breaker only.

Supply cables must be equipped with a dual pole circuit breaker rating at least 240V 60A/pole as main cut-off switch of power to the heater.

Wiring compartment for accommodating supply cables and pigtail leads are adequate and measured free space of 2524.67 cm³.

Tools/ Materials Needed (Not Included):

- Regular Screwdriver Set
- Spanner
- Impact Drill with 12mm Drill Bit

Recommended Accessories:

·DR-001: Thermostat

Unpacking Contents:

- Heater
- Owner's Manual
- Warranty Card
- Heater Handle
- Mounting Bracket
- Tilt Adjustable Knob x 2

- Remote Control
- Battery x 2

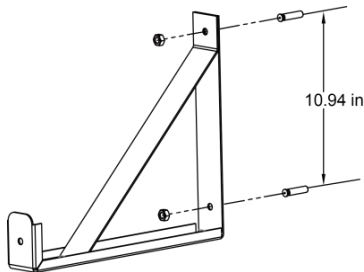
- Screw Kit

Screw Kit Contents	
Qty	Description
2	M10 Explosion Screw
1	M10x80mm Screw
2	M10 Nut
2	Φ10 Washer
2	Φ10 Spring Washer
2	Φ10 Rubber Pad

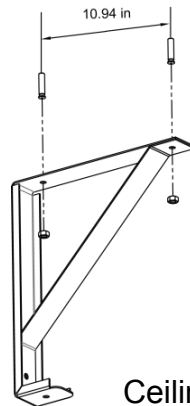
WARNING: To reduce the risk of fire, do not store or use gasoline or other flammable vapors and liquids in the vicinity of the heater.

INSTALLATION INSTRUCTIONS:

1. This heater should be installed at least 6 feet (1.8 m) from the floor. This minimum distance must be maintained.
2. Do not install closer than 1 foot (0.3 m) from any adjacent surfaces or walls.
3. Keep at least 4.5 inches (0.12m) from the back wall, regardless of whether the wall mount bracket is used.
4. Mark the drill-hole positions on the wall or ceiling for the mounting bracket.
5. Drill the required holes with diameter fitted to the anchor provided for positioning the mounting bracket.
6. Insert the anchors.

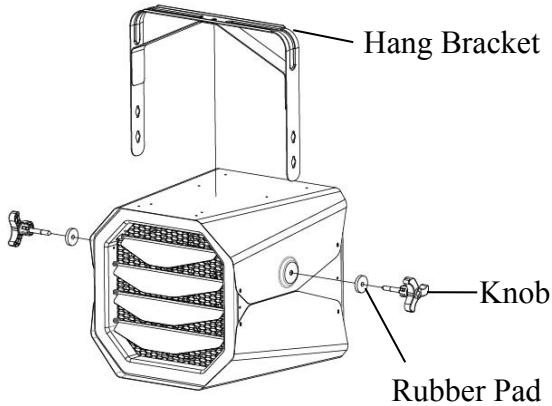


Wall Mount

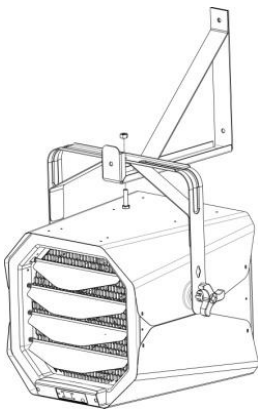


Ceiling Mount

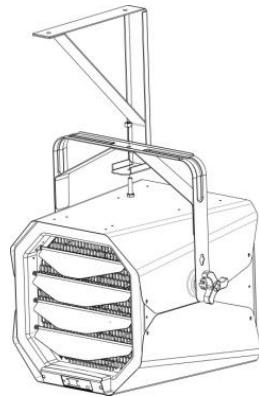
7. Attach the mounting bracket to the wall and secure with mounting screws.
8. Loosen the tilt adjustment knobs; remove the cart.
9. Align the Hang Bracket to the knob screw holes.
10. Re-insert the knob and tighten.



11. Hook the unit to the mounting bracket and let the unit hang from the mounting bracket.
12. Insert the bolt provided through the mounting bracket and the heater handle. Tighten with the nut and washer.



Wall Mount

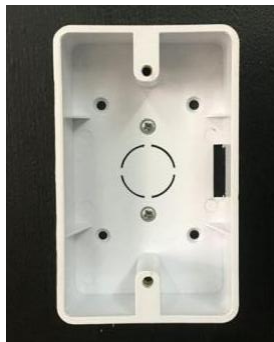


Ceiling Mount

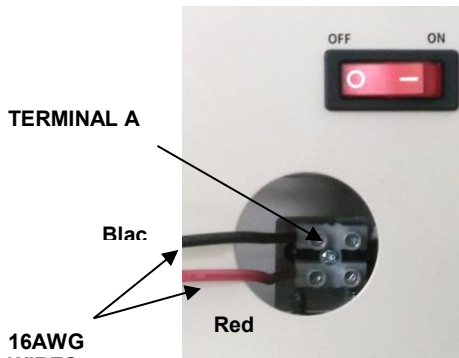
13. Loosen the screw to remove the wiring compartment/connection cover in the rear of the heater. There are three pigtail leads, both Black (L1) and Red (L2) are for power connection; Green is for grounding connection.



14. Run the electrical power supply cable in flexible conduit and connect to the wiring compartment via the knock-out at back side of the unit. The rectangle hole is watch window for wiring.
15. Make the connections properly with connectors which are suitable for the conductor size, including grounding wirings. And after making the connections, arrange the pigtail leads of unit and power supply wires in the wiring compartment.
16. You can select Inside or Wall thermostat. If you intend to use Inside Thermostat, press the rocker switch to INSIDE THERMOSTAT.
17. **How to install Wall Thermostat. (DR-001 Not Included.)**
 - A. Install Thermostat Outlet Box to the wall. Open the knock-out on the right. Run line voltage wires to the thermostat location via the knock-out.



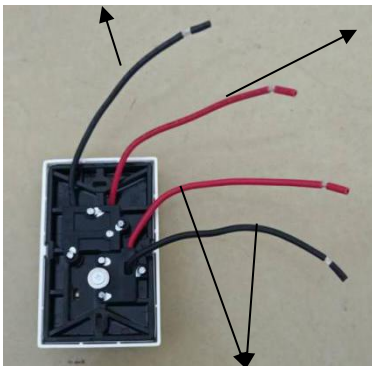
B. Press the rocker switch to WALL THERMOSTAT, insert two 16AWG wires to Terminal A inside the heater. Make sure to tighten the screws in Terminal A.



C. Connect the other side of the two 16AWG wires to the wall thermostat as indicated below:

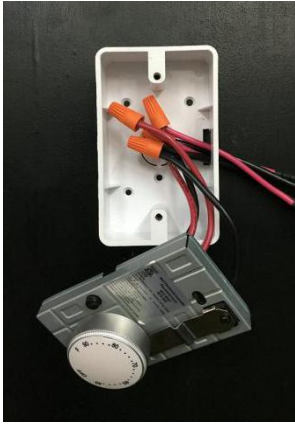
Connect with the
16AWG Black wire

Connect with the
16AWG Red wire



Affixed with insulating tape

D. Insert wires into the Thermostat Outlet Box, and screw up the thermostat.



E. Cover the thermostat.



SPECIFICATIONS

10,000W/240V WALL / CEILING MOUNTED GARAGE HEATER

Model: DR-910F

Voltage: 240 V

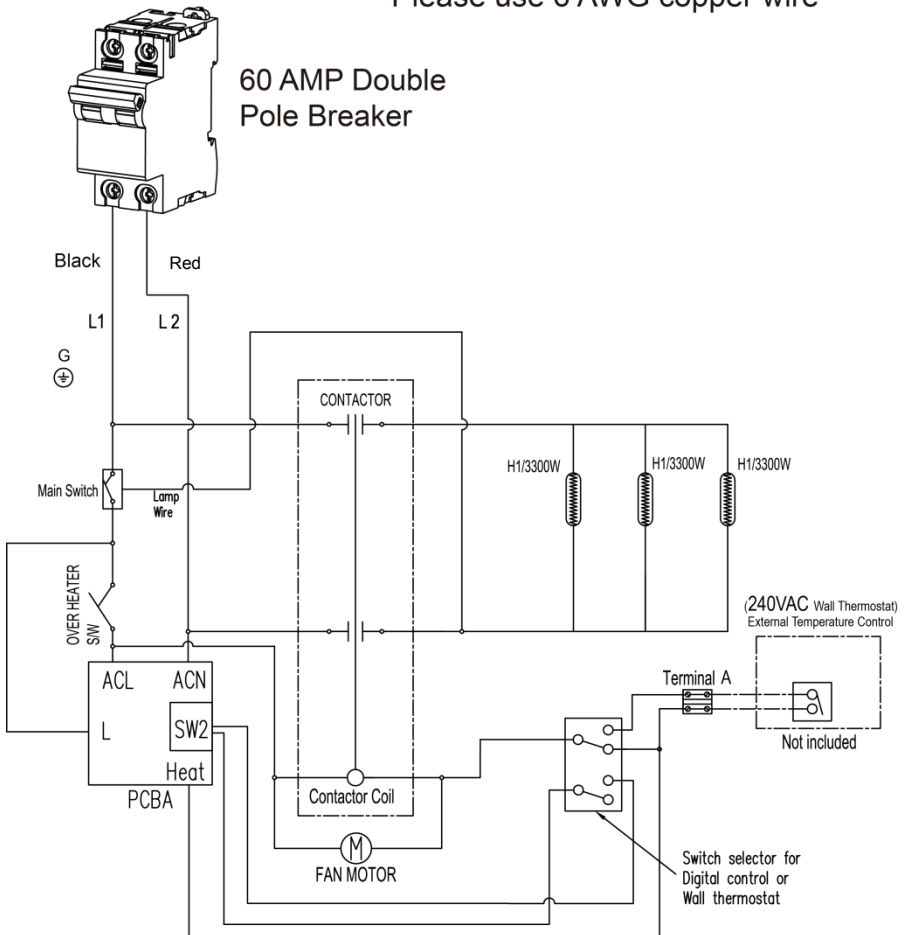
Watts: 10,000 W

Frequency: 60 Hz

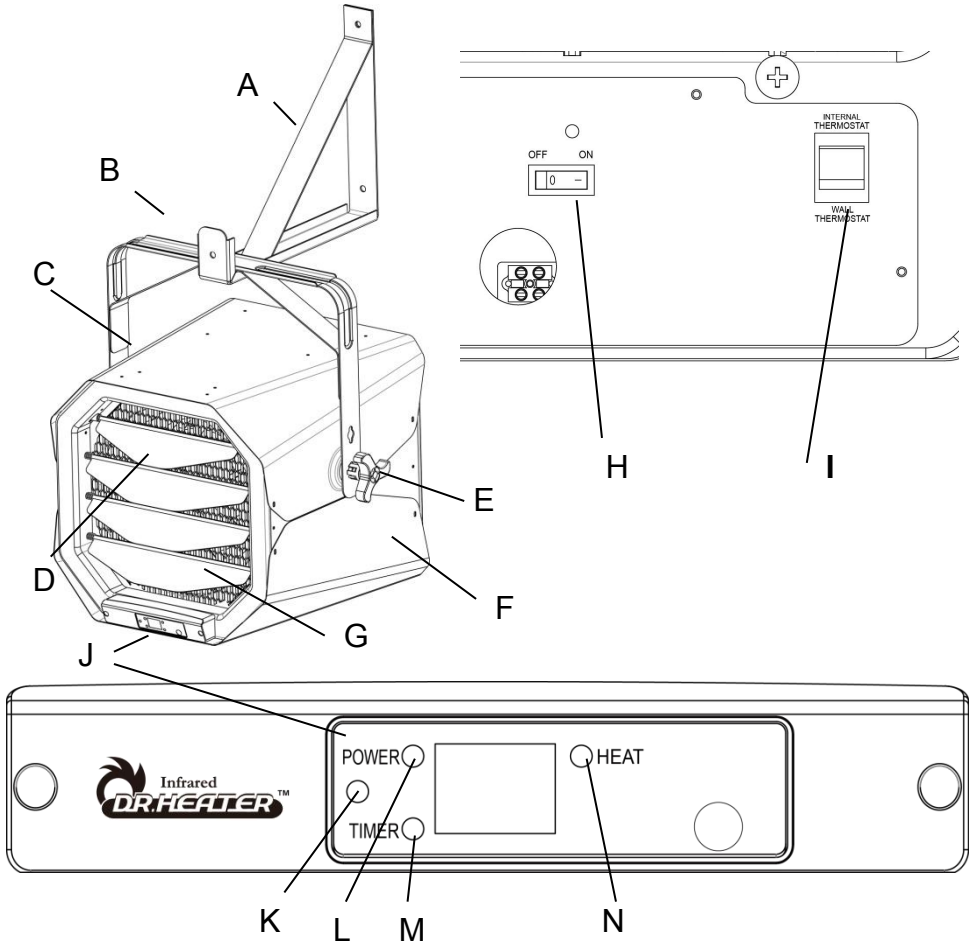
Recommended Heating Capacity: 1.25watts / ft³ (0.03m³)

Wiring Diagram : 60Amp, 240 Volt

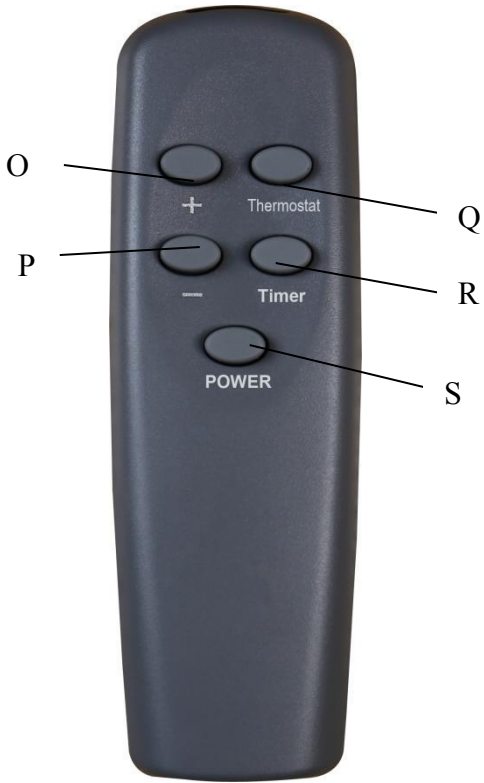
Please use 6 AWG copper wire



PARTS OF THE HEATER



- | | |
|-----------------------------|------------------------------------|
| A. Wall Mount Bracket | I. Internal/Wall Thermostat Switch |
| B. Ceiling Bracket | J. Control Panel |
| C. Upper Housing | K. Alarm LED |
| D. Louver for air direction | L. Power LED |
| E. Tilt Adjustable Knob | M. Timer LED |
| F. Lower Housing | N. Heat LED |
| G. Front Exhaust Grill | |
| H. ON/OFF Switch | |



- O. Increase Temperature button
- P. Decrease Temperature button
- Q. Thermostat button
- R. Timer button
- S. Power button

OPERATING INSTRUCTIONS

WARNING - The heater must be properly installed before it is used.

HAZARD OF ELECTRIC SHOCK, EXPLOSION, OR ARC FLASH:

- Apply appropriate personal protective equipment (PPE) and follow safe electrical work practices. See NFPA 70.
- A circuit breaker must be installed and serviced only by qualified electrical personnel.
- Always use a properly rated voltage sensing device to confirm power is off.

The switch on the heater is to start the Fan and Heater. Use the circuit breaker as power ON/OFF for the heater. The circuit breaker is to be installed by a certified/licensed electrician and should be located in line of sight from the heater location or should be capable of being locked in open position. Follow the operating instructions to reduce the risk of fire, electric shock, injury, or death to persons.

- How to select INSIDE/WALL thermostat?

Identify the ON/OFF switch and the thermostat rocker switch located on the rear of the heater.

You can select Inside or Wall Thermostat to control the heater temperature by using ON/OFF and thermostat rocker switches.

CAUTION! Risk of malfunction & Damage: You must turn the ON/OFF switch to OFF before selecting the INSIDE/WALL thermostat.

- Selecting Inside Thermostat:

- 1 Turn the ON/OFF switch to OFF position, and then turn the thermostat rocker switch to INSIDE THERMOSTAT as indicated below:



- 2 Turn the ON/OFF switch to ON position again, the heater will work on the inside thermostat mode.

- Selecting Wall Thermostat:

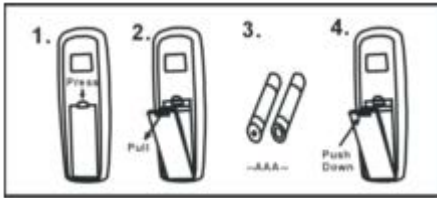
- 1 Turn the ON/OFF switch to OFF position, and then turn the thermostat rocker switch to WALL THERMOSTAT as indicated below:



- 2 Turn the ON/OFF switch to ON position, the heater will work on the wall thermostat mode.

CAUTION! Risk of malfunction & Damage: You can not change the INSIDE/WALL THERMOSTAT when the heater is running, you must turn the ON/OFF switch to OFF and then select the INSIDE/WALL thermostat mode.

- Insert the batteries into the remote control as shown below:



NOTE: Remove the batteries if the remote control is not to be used for a month or more. Batteries left in the remote may leak and cause damage.

DO NOT MIX OLD AND NEW BATTERIES! DO NOT MIX ALKALINE, STANDARD (CARBON-ZINC) OR RECHARGEABLE (NICKEL-CADMIUM) BATTERIES!

- **TURNING THE HEATER ON**

To turn the heater ON, press the ON/OFF rocker switch to ON position, the power LED will turn on and display the room temperature.

The factory setting temperature is 70°F, If you set the thermostat switch to Inside Thermostat, and the room temperature is lower or equal to 68°F, the heater will turn to High mode and will turn off when the room temperature is higher or equal to 72°F.

- **SETTING THE TEMPERATURE (with the remote control)**

Note: You need to set the thermostat to INSIDE THERMOSTAT and then set the desired temperature:

Press the **Thermostat** button, and then press the + button to increase the temperature or the -button to decrease the temperature.

You can also press the + button until the numeric temperature starts flashing. Press+ button again to increase the temperature or the - button to decrease the temperature.

After setting the desired temperature, the heater will run on heating when the room temperature is equal to or lower than

the setting temperature - 2°F, and will turn off when the room temperature is equal to or greater than the setting temperature+2°F.

Note: If you set the thermostat switch to WALL THERMOSTAT, press the + and - button cannot set the temperature, the heater will run in ON or OFF heating according the wall thermostat setting temperature.

- **SETTING THE TIMER (with the remote control)**

Press the **TIMER** button until Set Time starts flashing. The default value is 3 hours.

Press the “+” button to increase the set time or the “-” button to decrease the set time. The timer can be set from 1 to 12 hours. The timer will set and execute after the LED display stops flashing. The heater will shut OFF automatically when the set time is reached.

To turn the timer OFF, press the **TIMER** button, and then pressing the “-” button to set the time to 0. The timer feature will turn off when the LED stops flashing.

- To turn off the heater, switch off the circuit breaker.

The circuit breaker serves as the power disconnection means.

This heater includes a visual alarm to warn that parts of the heater are getting excessively hot. If the alarm flashes, immediately turn the heater OFF and inspect for any objects, on or adjacent to the heater that may cause high temperatures. **DO NOT OPERATE THE HEATER WITH THE ALARM FLASHING.** To reset the heater, switch the circuit breaker OFF, and wait five to ten minutes for the unit to cool down before turning the heater on.

MAINTENANCE AND CLEANING

No user maintenance on this heater should be undertaken except regular cleaning as described below. All other servicing or maintenance should be performed by qualified service personnel.

Before any cleaning, make sure that:

1. Power supply is disconnected at the source. **Switch off the circuit breaker.**
2. Wait 60 minutes to ensure the heating element has cooled down. Your heater is now ready for cleaning.

Regular Cleaning:

1. Do not spray chemicals or other cleaning liquids on the heater.
2. Interior dust can often be removed by using a vacuum cleaner with a crevice tool attachment.
3. To clean enclosure, use a clean, soft, and lightly damp cloth to gently wipe off the dirt from the surface of the unit. Make sure the heating element and the switches do not get wet. Allow the unit to dry completely before use.

CAUTION: DO NOT ALLOW WATER TO RUN INTO THE INTERIOR OF THE HEATER AS THIS COULD CREATE A FIRE OR ELECTRIC SHOCK HAZARD, DAMAGING THE UNIT.

TROUBLESHOOTING

If your heater fails to operate, please follow these procedures:

This heater is intended to be a wall/ceiling-mounted heater. It has a thermal cut-off protection. If the thermal cut-off protection trips, **switch off the power. Switch off the circuit breaker.** The unit should reset automatically after 10 minutes. If the thermal cut-off protection trips again, consult a certified/licensed electrician to determine the reason for overheating.

Problem	Probable Cause	Solution
Unit is not heating.	Overheat protection has temporarily deactivated the heater.	Turn the heater OFF. Switch off the circuit breaker. Wait 10 minutes before turning on the heater.
	Breaker/Fuse has been tripped.	Check your electrical box to confirm the breaker has not been blown. This may occur if the receptacle is shared with other high consumption appliances.
The heater is producing a burning smell.	Check & ensure there are no combustible materials within 0.9 meters (3 feet) surrounding the heater.	Remove any combustible items from the vicinity of the heater.
	A drop of oil fell on the heating coil during the manufacturing process. It will quickly evaporate and should not occur again.	Ensure room in which heater is situated is well ventilated.
	Ensure a minimum clearance of 1ft (12 inches) from both sides, and 4.5 inches from the back.	Reposition the heater so there is enough space between the heater and the any adjacent surface/wall.

PLEASE DO NOT ATTEMPT TO OPEN OR REPAIR THE HEATER YOURSELF. DOING SO COULD CAUSE DAMAGE TO THE HEATER OR PERSONAL INJURY.

QUESTIONS AND ANSWERS

Why can't I change the set temperature by press the + - button on the remote? Please follow the steps below:

- 1 Turn the ON/OFF switch to OFF position
- 2 Turn the thermostat rocker switch to INSIDE THERMOSTAT
- 3 Turn the ON/OFF switch to ON position.
- 4 Press the POWER button on the remote to turn the heater ON.
- 5 Press the THERMOSTAT button.
- 6 Press the "+" "-" button to set your desired temperature.

Why the wall thermostat can not control the temperature? Please follow the steps below:

- 1 Turn the ON/OFF switch to OFF position
- 2 Turn the thermostat rocker switch to WALL THERMOSTAT
- 3 Turn the ON/OFF switch to ON position
- 4 Press the POWER button on the remote to turn the heater ON.
- 5 Adjust the wall thermostat knob to set your desired temperature.

How long is the warranty?

This heater comes with a ONE-YEAR LIMITED COMPONENT WARRANTY. If your unit does not appear to be working properly, please contact our service center by calling 1-800-317-1688. Prior to your call, we encourage you to visit our service related website www.DrHeaterUSA.com for troubleshooting tips and service instructions if needed.

Warranty Information

Register your product at our website:



Or visit [DrHeaterUSA.com/register-your-heater](https://www.DrHeaterUSA.com/register-your-heater)

Feedback

Love it? Help us make the product more for you.



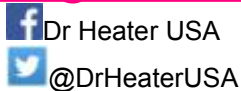
Let us know with a customer review.



Please visit: <https://www.amazon.com/review/review-your-purchases#>

At [Dr. Heater USA](https://www.DrHeaterUSA.com), we are committed to bringing top quality alternative & supplemental heating products to our customers.

Dr. Heater USA
860 Mahler Road
Burlingame, CA 94010
Tel: 1-800-317-1688

EMAIL: SERVICE@DRHEATERUSA.COM



 Dr. Heater USA
 Dr. Heater USA