

Specification

Input Voltage	100 - 240Vac +/-10%
Input Frequency	50 - 60Hz
Output Current	
Fast Charge (AGM)	DC 29.6V (+/- 0.2V)
Float Charge (AGM)	DC 27.3V
Fast Charge (GEL)	DC 28.8V (+/- 0.2V)
Float Charge (GEL)	DC 26.7V
Charging Current	
Fast Charge	DC 5000mA +/- 10%
Float Charge	<DC 1000mA
Maintenance Stage	<DC 1000mA
Over Voltage Protection	DC 31V Max.
Over Current Protection	DC 6A Max.
Leakage Current	0.75mA Max.
Input Power	180W
Input Standby Power	<0.5W
Efficiency	>85% @ Full Load
Battery Charging Capacity	15 - 50 Amp Hours
Output Cord	2m long, SJT type (Hard Usage) with XLR 3-pin Male Connector
Dielectric Withstand Voltage	AC 3.0KV for 1 min. @ 10mA leakage
Insulation Resistance	50Mohm Min. at 500Vdc between Primary and Secondary
Operation Temperature	0°C to 40°C
Storage Temperature	-20°C to 60°C
Safety Standards	UL, cUL: UL1012, CE: EN60335-1, EN60335-2-29 ANSI/RESNA,WC-2, ISO 7176 Section 14 Clause 9.2.7



Due to continuous improvements to our products, product may vary slightly from depiction.

2 LEDs for Status Indication

1. Power LED (Clear Lens - Red Color)

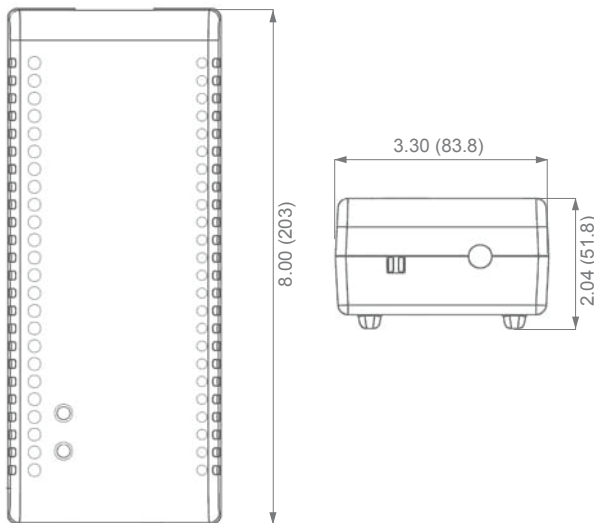
Description	LED
Power On	On
No AC Power	Off

2. Charging / Faults - LED (Clear Lens - Red / Green Color)

Charging - Description	Red LED	Green LED
No Battery/Full Charge (20 Hrs)	Off	Off
Bulk /Absorption Charge	On	Off
Float Charge	Off	Continuous Blinking
Maintenance Charge	Off	On Steady

INDICATION CHARGE/FAULT - Red LED		FAULT
1	LED is off.	No batteries - Voltage < 9V
2	LED - continuous rapid flashing	12 hr. charge timed out
3	LED-1 flashes every 3 sec.	Battery voltage < 14V
4	LED-2 flashes every 3 sec.	Batteries are connected in reverse polarity
5	LED-3 flashes every 3 sec.	Over voltage from batteries
6	LED-4 flashes every 3 sec.	Over current from charger

Dimensions: inches (mm)



Features:

For **AGM** batteries the charger provides Three Charge States. An integrated circuit monitors and controls both the output voltage and current of the charger through three separate charge states.

1. A *HighCurrent Fast Charge State*: battery charges at 5000mA fast charge current rate until battery voltage of 29.6V is reached.
2. A *Topping Charge State*: battery charges at 29.6V constant voltage and current begins to taper until current is less than 1000mA.
3. A *Precision Float Charge State*: the charger changes to the float state and holds the battery voltage at 27.3V.

For **GEL** batteries the charger provides Three Charge States. An integrated circuit monitors and controls both the output voltage and current of the charger through three separate charge states.

1. A *HighCurrent Fast Charge State*: battery charges at 5000mA fast charge current rate until battery voltage of 28.8V is reached.
2. A *Topping Charge State*: battery charges at 28.8V constant voltage and current begins to taper until current is less than 1000mA.
3. A *Precision Float Charge State*: the charger changes to the float state and holds the battery voltage at 26.7V.

Note: For battery maintenance this battery is equipped with "Auto-Restart" that will start the charge cycle again when battery voltage drops to 25.3VDC.

Protections:

- Short Circuit Protection
- Over Current Protection
- Over Voltage Protection
- Battery Polarity Reversal