



# 6-PATTERN GEAR DRIVE SPRINKLER WITH EXTENDABLE TRIPOD

**COVERS UP TO  
5,278 sq. FT.**

Quiet operation

Adjustable coverage  
(5 - 360°)

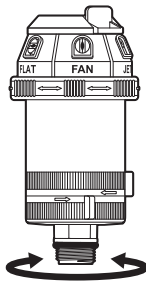
Leg spikes dig into soil for  
more stability

Watering diameter: 82 ft.

6 Water patterns: Large, flat,  
fan, jet, full and mini

Tripod extends up to 39 in.

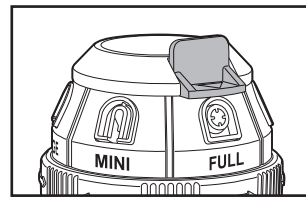
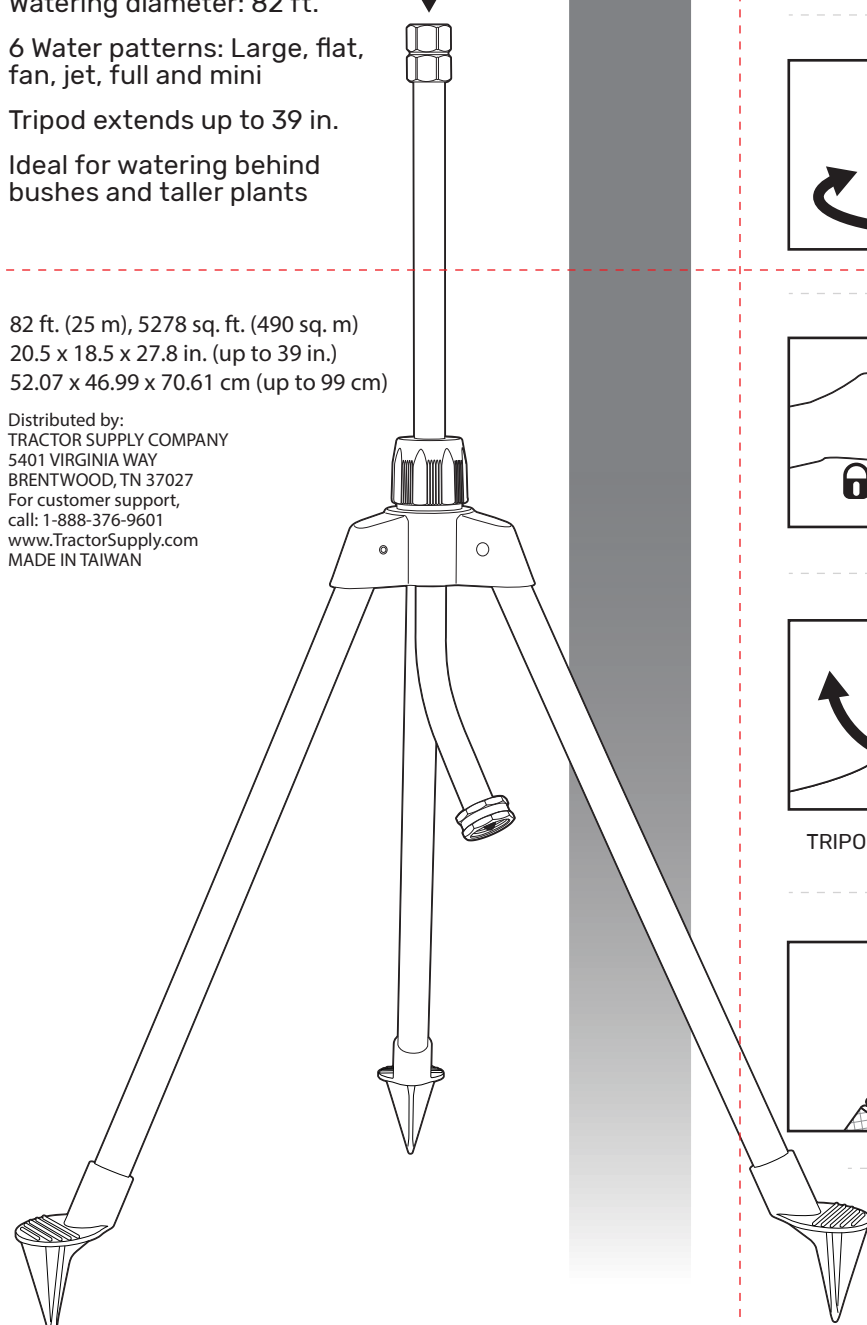
Ideal for watering behind  
bushes and taller plants



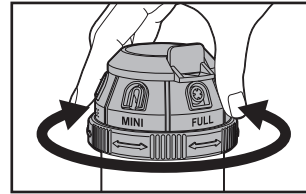
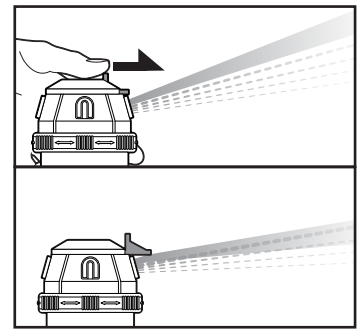
**UP TO  
39"**

82 ft. (25 m), 5278 sq. ft. (490 sq. m)  
20.5 x 18.5 x 27.8 in. (up to 39 in.)  
52.07 x 46.99 x 70.61 cm (up to 99 cm)

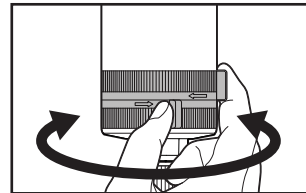
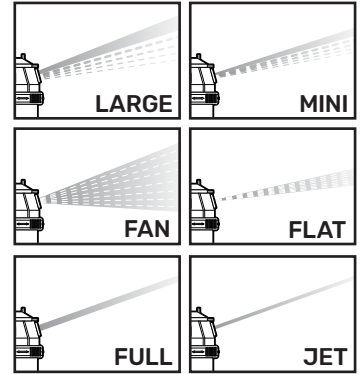
Distributed by:  
TRACTOR SUPPLY COMPANY  
5401 VIRGINIA WAY  
BRENTWOOD, TN 37027  
For customer support,  
call: 1-888-376-9601  
www.TractorSupply.com  
MADE IN TAIWAN



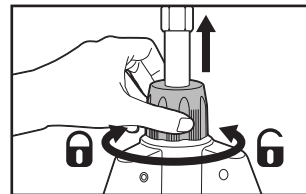
**DISTANCE CONTROL**  
PULL OUT THE TAB FOR  
CLOSE RANGE SPRAY



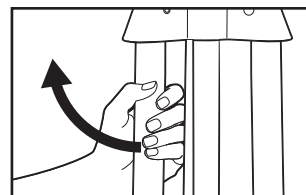
**PATTERN CHANGE**  
6 WATERING MODES:  
LARGE, FLAT, FAN, JET,  
FULL AND MINI



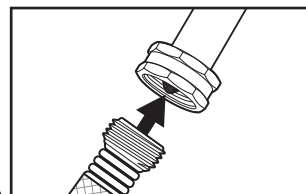
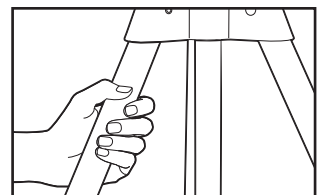
**COVERAGE CONTROL**  
SLIDING TABS ALLOW  
FOR COVERAGE  
ADJUSTMENT (5-360°)



ROTATE COLLAR TO  
EXTEND AND SECURE  
TRIPOD HEIGHT  
UP TO 39 INCHES



TRIPOD CAN BE QUICKLY FOLDED FOR EASY USE OR STORAGE



CONNECT THE HOSE TO  
SPRINKLER END FITTING

**WARNING:** This product can expose you to chemicals including lead, which is known to the State of California to cause cancer and birth defects or other reproductive harm. For more information go to [www.P65Warnings.ca.gov](http://www.P65Warnings.ca.gov)