






Product Name:	Torch Wood Front Porch Swing with Chains
SKU #:	WHOF1739

Thank you for purchasing this LuxenHöme product. This product has been manufactured with the highest standards of safety and quality.

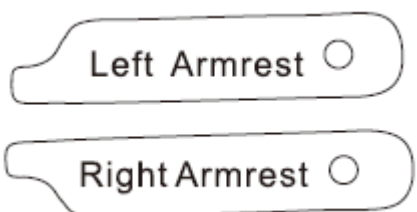
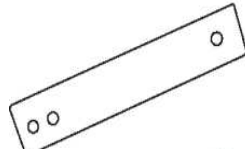
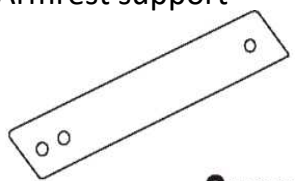
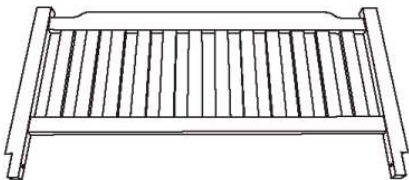
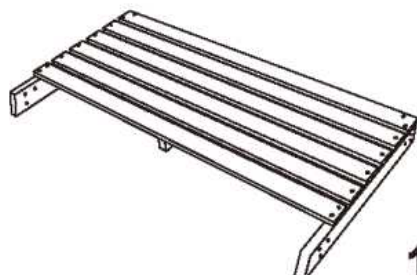
PLEASE READ ALL INSTRUCTIONS BEFORE ASSEMBLY.

Unpack all parts from inside the carton to ensure there are no missing or damaged parts. If any parts are missing or damaged, do not attempt to assemble or use the product.

HARDWARE:

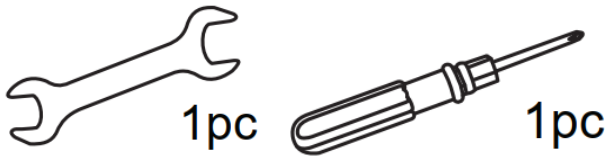
<p>Ⓐ 8X65mm 14PCS</p> 	<p>Ⓑ 8X110mm 2PCS</p> 
<p>Ⓒ 8X65mm 2PCS</p> 	<p>Ⓓ 4PCS</p> 
<p>Ⓔ 2PCS</p> 	

PANELS:

<p>① Arm</p> 	<p>② Front Armrest support</p>  <p>2pcs</p>	<p>③ Rear Armrest support</p>  <p>2pcs</p>
<p>④ Back</p> 	<p>⑤ Seat</p>  <p>1pc</p>	

Product Name:	Torch Wood Front Porch Swing with Chains
SKU #:	WHOF1739

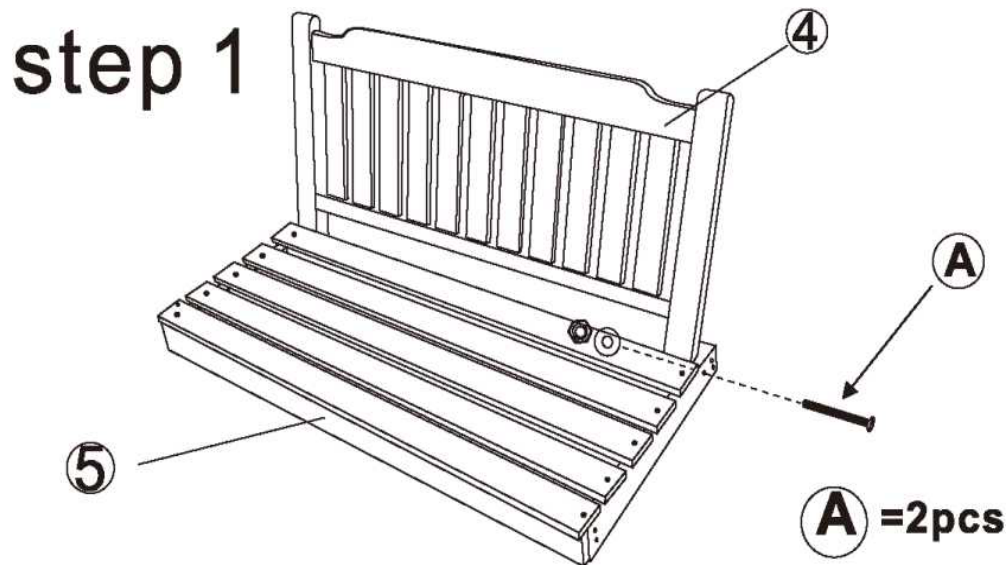
Tools required: Wrench, Screwdriver



STEP 1

Insert the back into the seat by using 2 sets of bolts A. Note the back-end point with a tilt cut to make sure the back is leaning. If installed incorrectly, the back to the seat will appear a space between back and seat. If it happened, try to change the back's direction.

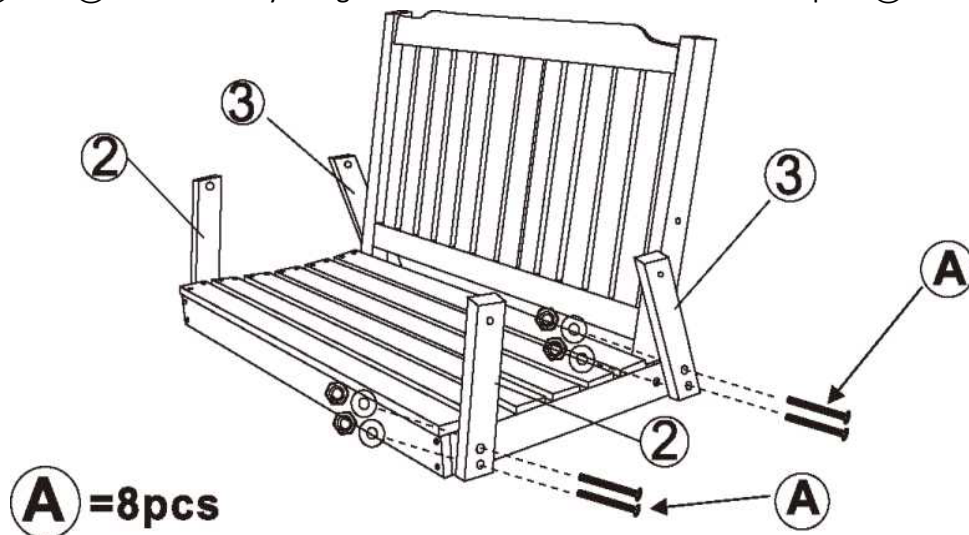
Please do not tight the bolts number A totally at this step. It will need to be adjusted for the next/final step.



Product Name:	Torch Wood Front Porch Swing with Chains
SKU #:	WHOF1739

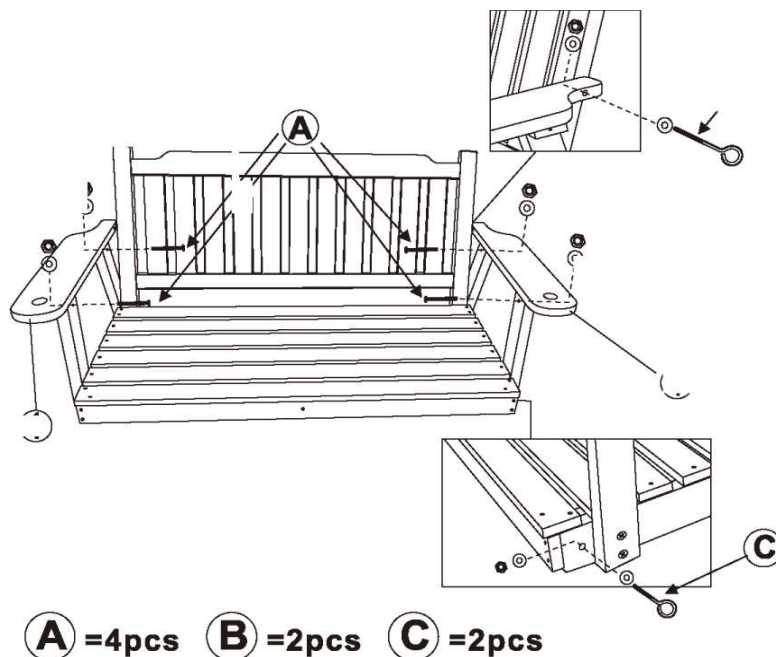
STEP 2

Fix the part ② and ③ to the seat by using 8 sets of A. Note the difference of the part ② and ③, part ③ with tilts.



STEP 3

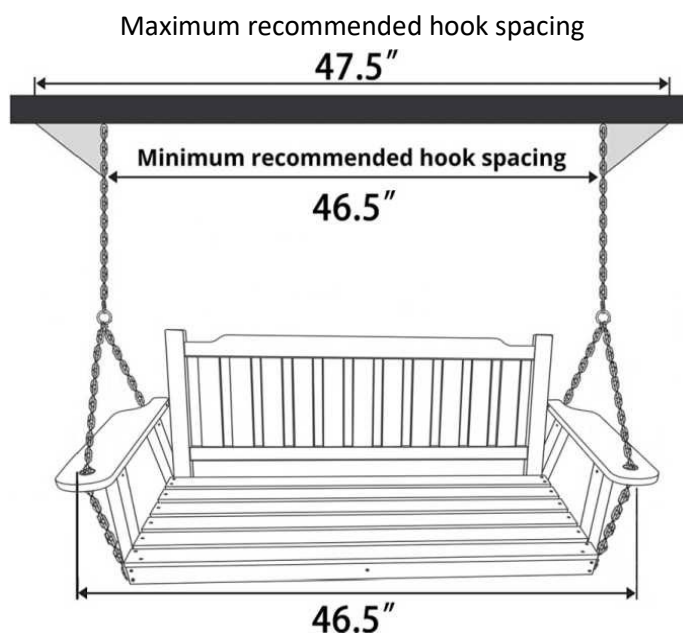
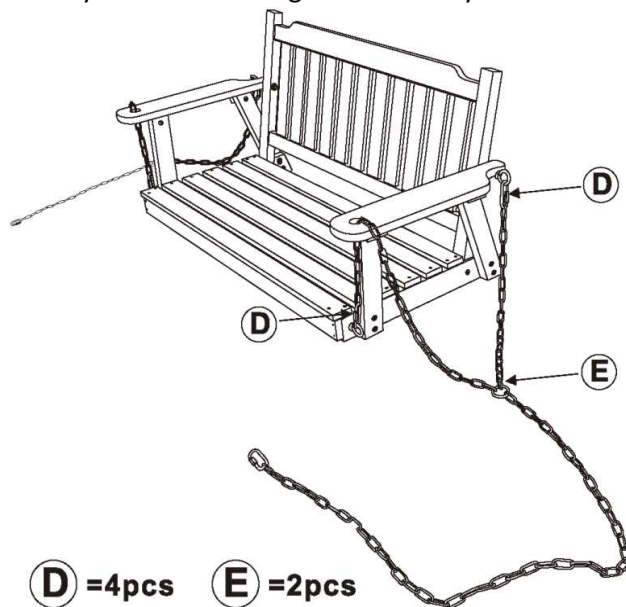
Fix the armrest (I) onto the armrest support ② and ③ by using 4 sets of A. Connect the armrest end to the back by using 2 sets of the long eye bolt B. Fix the short eye bolt C to the seat. Note the washer and nut position like the drawing.



Product Name:	Torch Wood Front Porch Swing with Chains
SKU #:	WHOF1739

STEP 4

Connect the 2 sets of chain E to the eye bolts B and C by using 4PCS quick ring D. Fasten all bolts and quick ring. Reference the drawing. Hang the swing to the place according to the recommended hook spacing. We recommend you check all the bolts to make sure they are fasten enough before every use.



1. Regular maintenance is recommended.
2. Use under a cover.
3. Please check and tighten the screws regularly to ensure the stability of porch swing.

Product Name:	Torch Wood Front Porch Swing with Chains
SKU #:	WHOF1739

Factory Stain Finish Wood Care Guide

PLEASE READ THIS INFORMATION CAREFULLY. IT WILL HELP YOU TO MAINTAIN YOUR WOOD PORCH SWING.

This wood swing has been made from seasoned hard wood and has already been oiled prior to packaging. Wood is a natural material, and its appearance will change when exposed to the elements; surface splits and cracks may appear, particularly on the end grain and to a lesser extent on the surface within a few weeks if left exposed to the elements. This is normal for close-grained hard woods. The furniture is designed with this in mind to remain strong and durable. If left exposed to the weather your furniture will turn a silver grayish color, the exact color will depend on the environment; for example, dark spots may occur if the furniture is placed in a shady location under a tree. To help preserve the color cover the furniture with a garden furniture cover when not in use. Wood expands and contracts with changes in relative humidity, to prevent over drying and excessive cracking do not store in a heated place.

To maintain the original timber color and to keep your surface in pristine condition we recommend applying an oil base penetrating finish such as deck stain which is available at most wood product retailers.

We DO NOT recommend surface coatings such as sealers, varnishes, or water base products. If your furniture is in a fully exposed environment, we recommend re-coating 2 times per year. In a semi-covered environment (e.g., shade, covered patio or similar) we recommend coating once per year. By applying the oil/stain before the wood begins to turn the characteristic silver/gray color following these simple instructions may lengthen the interval between recoating.

Preparation:

- Cover the floor area with a suitable liquid resistant ground sheet to contain dust, dirt, or spills.
- Use suitable protective clothing, i.e., rubber gloves, apron etc.
- Check and retighten all furniture hardware.
- Inspect the condition of all wood surfaces. The silver/gray color indicates the natural oxidation of the wood and may be accompanied by fine surface splits or cracks. This is evidence of the wood's natural protection acting like our outer skin. Consequently, the natural weathered surface is only skin deep, and the original color reappears when new wood is exposed.
- To return the wood to its original color we recommend cleaning the surface of dirt, bird droppings, tree sap, grease etc. Scrub or brush with a mild detergent and rinse thoroughly. Ensure the wood surface is completely dry before finishing.
- DO NOT USE STEEL WOOL as the fine particles may result in dark rusty blotching.

Applying the Oil/Stain Finish:

- After opening can of oil/stain stir thoroughly to produce an even consistency. We recommend the use of a lint free cloth or small brush suitable for oil base finishes.
- Apply oil/stain evenly to all wood surfaces avoiding the oil/stain to pool. When finished, wipe off any runs or excess oil/stain. (Avoid applying too much oil/stain as a thin coat will give ample protection.) Any excess oil/stain may be cleaned with Mineral Spirits or Turpentine.
- Allow approximately 48 hours for the oil/stain to dry completely. Before use, wipe away any residue using a lint free cloth and a household furniture polish. A buffing action may produce a slightly polished surface.