

Product Name:	Natural Unfinished Wood Log Cabin Porch Swing with Chains
SKU #:	WHOF1738

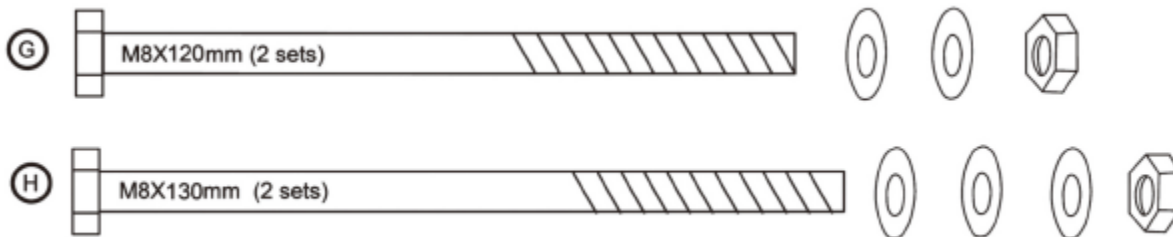
Thank you for purchasing this LuxenHöme product. This product has been manufactured with the highest standards of safety and quality.

PLEASE READ ALL INSTRUCTIONS BEFORE ASSEMBLY.

Unpack all parts from inside the carton to ensure there are no missing or damaged parts. If any parts are missing or damaged, do not attempt to assemble or use the product.

Contents:

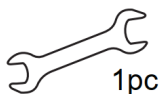
Hardware Parts:



Parts:

	A 1PC Back	B 1PC Seat
	C 2PCS Arm	D 2PCS Arm Support
	E 2PCS Chains	F 2PCS Hooks

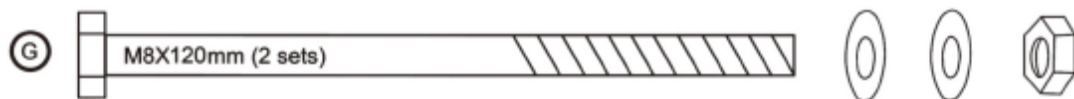
Tool required: Wrench



1pc

Product Name:	Natural Unfinished Wood Log Cabin Porch Swing with Chains
SKU #:	WHOF1738

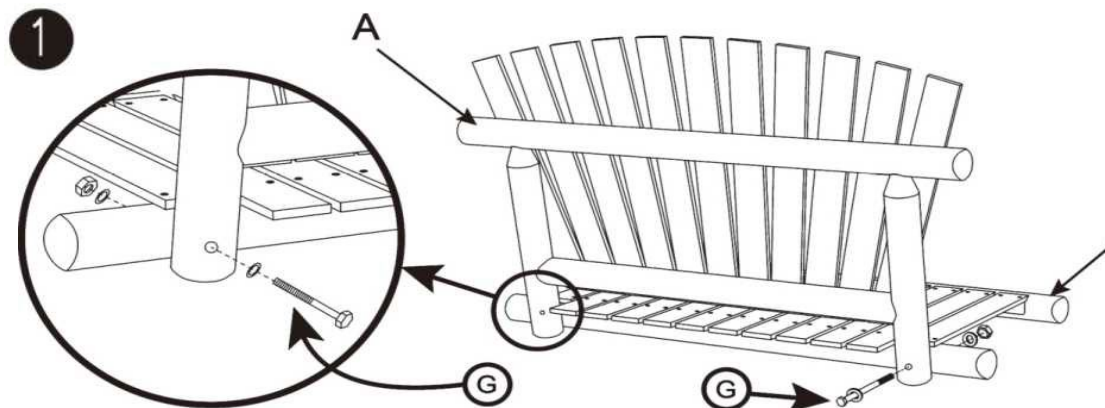
STEP 1:



A 1PC Back

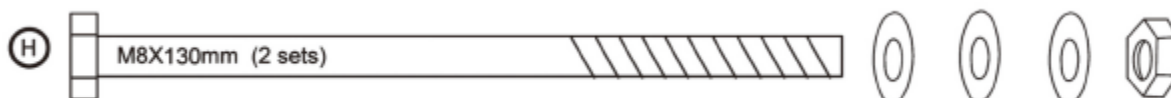


B 1PC Seat



Product Name:	Natural Unfinished Wood Log Cabin Porch Swing with Chains
SKU #:	WHOF1738

STEP 2:

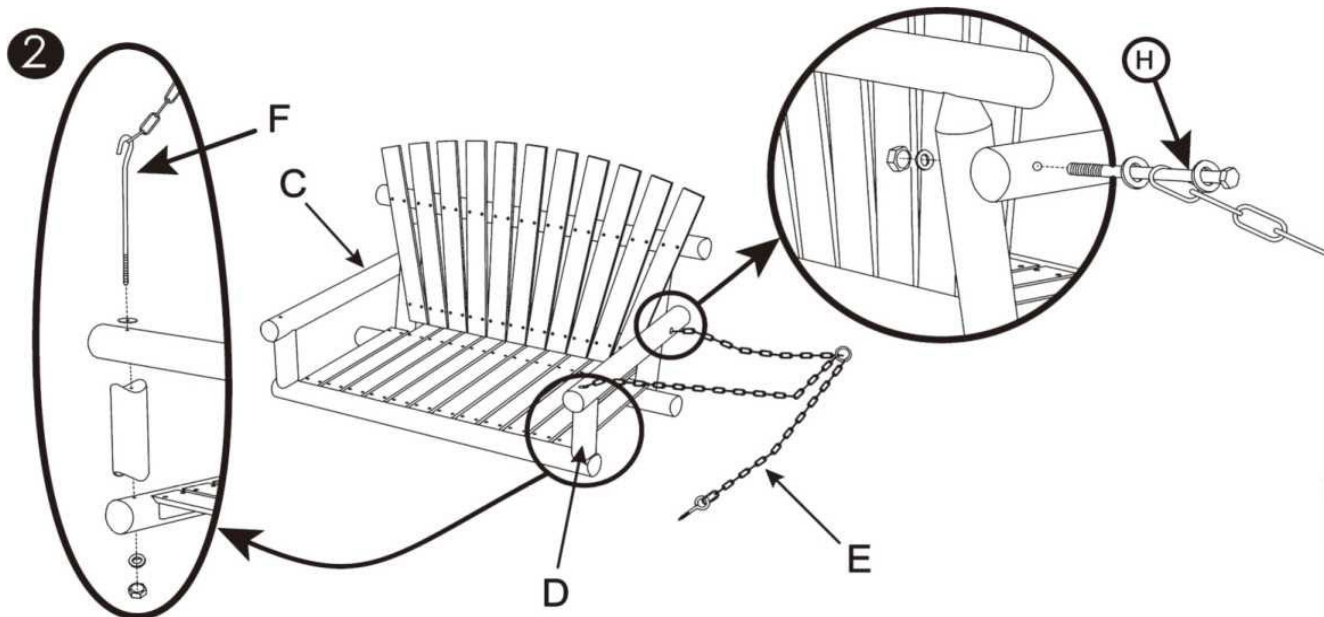
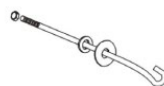
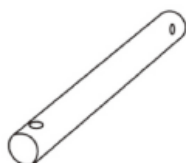


C 2PCS Arm

D 2PCS Arm Support

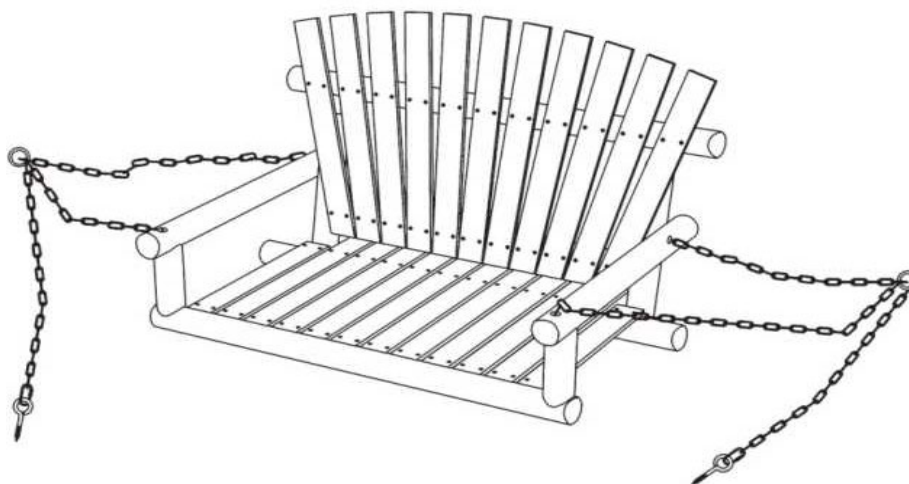
F 2PCS Hooks

E 2PCS Chains



Product Name:	Natural Unfinished Wood Log Cabin Porch Swing with Chains
SKU #:	WHOF1738

RESULT:



Product Name:	Natural Unfinished Wood Log Cabin Porch Swing with Chains
SKU #:	WHOF1738

Unfinish Wood Care Guide

PLEASE READ THIS INFORMATION CAREFULLY. IT WILL HELP YOU TO MAINTAIN YOUR WOOD PORCH SWING.

This furniture has been made from seasoned wood. Wood is a natural material, and its appearance will change when exposed to the elements; cracks and splits will appear, particularly on the end grain and to a lesser extent on the surface within a few weeks if left exposed to the elements. This is normal and more common in log furniture which adds to the rustic look of it. The furniture is designed with this in mind to remain strong and durable. If left exposed to the weather your furniture will turn a silver grayish color, the exact color will depend on the environment; for example, dark spots may occur if the furniture is placed in a shady location under a tree. To help preserve the color, cover the furniture with a garden furniture cover when not in use. Wood expands and contracts with changes in relative humidity, to prevent over drying and excessive cracking do not store in a heated place.

To maintain the original timber color and to keep your surface in pristine condition we recommend applying an oil base penetrating finish such as deck stain which is available at most wood product retailers. If the original color is desired a clear or natural stain will be similar in color. We **DO NOT** recommend surface coatings such as sealers, varnishes, or water base products. If your furniture is in a fully exposed environment, we recommend re-coating 2 times per year. In a semi-covered environment (e.g., shade, covered patio or similar) we recommend coating once per year. Also, by applying the oil/stain before the wood begins to turn the characteristic silver/gray color following these simple instructions may lengthen the interval between recoating.

Preparation:

- Cover the floor area with a suitable liquid resistant ground sheet to contain dust, dirt, or spills.
- Use suitable protective clothing, i.e., rubber gloves, apron etc.
- Check and retighten all furniture hardware.
- Inspect the condition of all wood surfaces. The silver/gray color indicates the natural oxidation of the wood and may be accompanied by fine surface splits or cracks. This is evidence of the wood's natural protection acting like our outer skin. Consequently, the natural weathered surface is only skin deep, and the original color reappears when new wood is exposed.
- To return the wood to its original color we recommend cleaning the surface of dirt, bird droppings, tree sap, grease etc. Scrub or brush with a mild detergent and rinse thoroughly. Ensure the wood surface is completely dry before finishing.
- **DO NOT USE STEEL WOOL** as the fine particles may result in dark rusty blotching.

Product Name:	Natural Unfinished Wood Log Cabin Porch Swing with Chains
SKU #:	WHOF1738

Applying the Oil/Stain Finish:

- After opening can of oil/stain stir thoroughly to produce an even consistency. We recommend the use of a lint free cloth or small brush suitable for oil base finishes.
- Apply oil/stain evenly to all wood surfaces avoiding the oil/stain to pool. When finished, wipe off any runs or excess oil/stain. (Avoid applying too much oil/stain as a thin coat will give ample protection.) Any excess oil/stain may be cleaned with Mineral Spirits or Turpentine.
- Allow approximately 48 hours for the oil/stain to dry completely. Before use, wipe away any residue using a lint free cloth and a household furniture polish. A buffing action may produce a slightly polished surface.



Information on Rustic Log Furniture

You may notice cracks in the wood known as “checking.” Checking is a natural characteristic of the wood and does not affect the structural integrity of your furniture. As the log is kiln dried, the outer layer of the log shrinks more than the core.

If you look at the core on the piece of wood where the checking is noticeable, you will see that the checking does not extend past the core of the log.