

Product Name:	Farmhouse Well Water Pump and Pots Resin Fountain with LED Lights
SKU #:	WHF1743

Thank you for purchasing this LuxenHöme product. This product has been manufactured with the highest standards of safety and quality.

PLEASE READ ALL INSTRUCTIONS BEFORE ASSEMBLY.

Unpack all parts from Styrofoam and bubble wrap inside the carton to ensure there are no missing or damaged parts. If any parts are missing or damaged, do not attempt to assemble or use the product.

CARTON CONTENTS:

Description	Quantity
Fountain body (base)	1
Water Pump Handle	1
Water Pump Top	1
Bolt	1
Nut	1
Fountain Pump	1

Compatible Pumps for this fountain:

Pump Model No.
JR350/LED
JB350/LED
YH400/LED

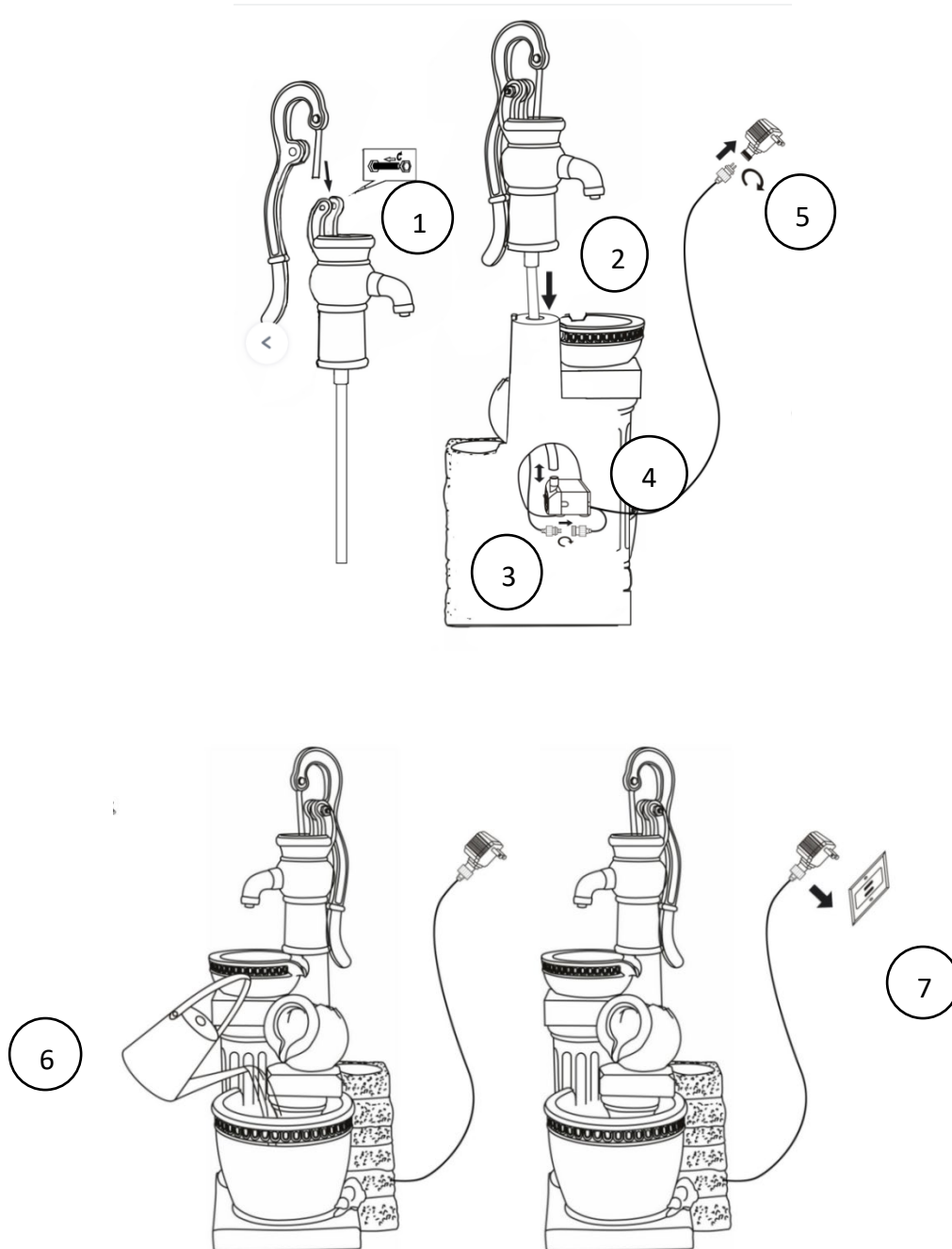
Tools required for assembly: No tools required assembly.

ASSEMBLY INSTRUCTIONS:

1. Unpack the contents of the box and check to make sure that all items are accounted for and in good condition.
2. Remove the pump from the package and untie the power cord.
3. Select a flat, level surface for the assembly and final location of your fountain.
4. Place the fountain base on a flat, level surface.
5. Insert pump handle to the water pump fountain top. Insert the bolt through the holes and tighten with nuts ①.
6. Insert the assembled fountain water pump top onto the fountain base ②.
7. From the opening at the back of the fountain base, insert the water supply tube into the pump outlet ③. Connect the pump adapter cord to the LED cord and twist to tighten the connection ④.
8. Place the pump upright insert the water supply tube in the basin and draw the pump power cord out of the fountain back. Connect the power cord to the transformer and twist to tighten ⑤.
9. Add clean water into the reservoir. The water level should be approximately 30mm lower than the edge of the reservoir ⑥. Ensure the pump in your fountain is completely submerged in the water.
10. Connect the power cord from the pump to a properly grounded, grounding type receptacle (GFCI) ⑦.
11. If installed properly, water flow in the fountain will begin shortly.
12. Adjust the flow rate (if applicable) to the maximum (+) position. If necessary, readjust the flow rate to the desired level (remember to always disconnect from the power source before handling the pump).

Product Name:	Farmhouse Well Water Pump and Pots Resin Fountain with LED Lights
SKU #:	WHF1743

13. Please do not use the electrical plug during wet weather conditions. Please note: On first use, there may be air in the pump. It may take several minutes until all the air escapes.



Note: The above diagram is for illustrative purposes only.

Product Name:	Farmhouse Well Water Pump and Pots Resin Fountain with LED Lights
SKU #:	WHF1743

MAINTENANCE OF YOUR PUMP:

- Keep the water clean – clean water will prolong the useful life of your pump.
- Use a pre-filter on your pump if available.
- Regular cleaning of the pump will be necessary depending upon the environment in which it is operated. Clean the pump when it is visibly soiled or when a noticeable drop in performance is detected. **Failure to clean the pump will result in overheating of the pump and the voiding of the warranty!**
- Before cleaning, always disconnect the pump from the power source.
- Disassemble the pump by removing the inlet screen & the impeller housing. Remove the impeller/rotor assembly by gently pulling on the impeller blades. Use a soft cloth or brush to clean the area inside of the pump where the impeller/rotor assembly was. Clean the inlet screen, impeller housing & impeller in warm soapy water. Reassemble the pump and inspect for proper operation.

MAINTENANCE OF YOUR FOUNTAIN:

- Unplug the pump from electric power before servicing, cleaning, or moving.
- Keep water clean - using clean water will reduce mineral deposits and improve water clarity.
- Clean the fountain periodically to prevent mineral deposits and contamination. Use warm soapy water and a stiff brush for heavily stained surfaces. **Do not use harsh chemicals as this will damage the finished surface and void the warranty.**
- Add clean water periodically to ensure that the pump is fully submersed in water.
- Disconnect the power and empty the basin if the fountain will not be used for an extended time.
- If installed outdoors and in a freeze-area of the country, ensure that all water is removed, and the unit is completely dry. **This product is NOT to be operated below 41°F (5°C) freeze damage may occur.**



Special Warnings and Cautions:

CAUTION:

- The pump has been evaluated for use with water only.
- Do not use the pump in water exceeding 35°C / 95°F.
- Do not use the pump in flammable liquids.
- Do not use the pump for industrial purposes.
- Do not use the pump in vehicles or on ships or aircraft or swimming pools.
- Do not use the pump in location where special conditions prevail, such as the presence of a corrosive or explosive atmosphere (dust, vapor or gas).
- Do not let the pump run dry. Pump must be completely submerged for proper operation and cooling.
- Do not lift the pump by its power cord.
- Keep the plug dry. Do not expose the plug to water or steam.
- Before connecting to the power source, make sure that the pump is assembled and completely submerged in water.
- Check the water level regularly to ensure the pump is completely submerged during operation. The pump should be fully submerged during operation. Do not add water while operating the product. Always disconnect the pump from the power source before adding water.



Instruction Manual

SAVE THESE INSTRUCTIONS—This manual contains important safety and operating instructions for power units.

Product Name:	Farmhouse Well Water Pump and Pots Resin Fountain with LED Lights
SKU #:	WHF1743

WARNINGS:

- To reduce the risk of electric shock, connect only to a properly grounded, grounding type receptacle.
- To reduce the risk of electric shock, use only on portable self-contained fountains no larger than 5 feet in any dimension.
- Do not exceed the voltage shown on the pump.
- Always disconnect the pump from the power source prior to beginning any maintenance or work on the pump or fountain.
- Inspect the power cord for damage before installation and/or maintenance. Replace the entire pump if damage is found.
- For pumps with a 3-prong, grounded type plug, do not remove the grounding pin from the plug on the power cord.

TIPS AND TROUBLESHOOTING:

1. Ensure that the pump's flow control switch is set to maximum (+) before operating. Once the flow is established, the pump can be adjusted downward to the desired level.
2. If the pump operates, but there is no flow, check to ensure the pump is fully submerged.
3. If the pump operates, but there is no flow, check the supply tubing for kinks and correct.
4. If the pump operates, but there is no flow, and if the pump is submerged and there are no kinks in the supply tubing, lift the pump from the water. Remove supply tubing at pump outlet and clean tubing inside and out if necessary. Reset pump in water (outlet side up) and once water begins to flow, re-attach the supply tubing.