

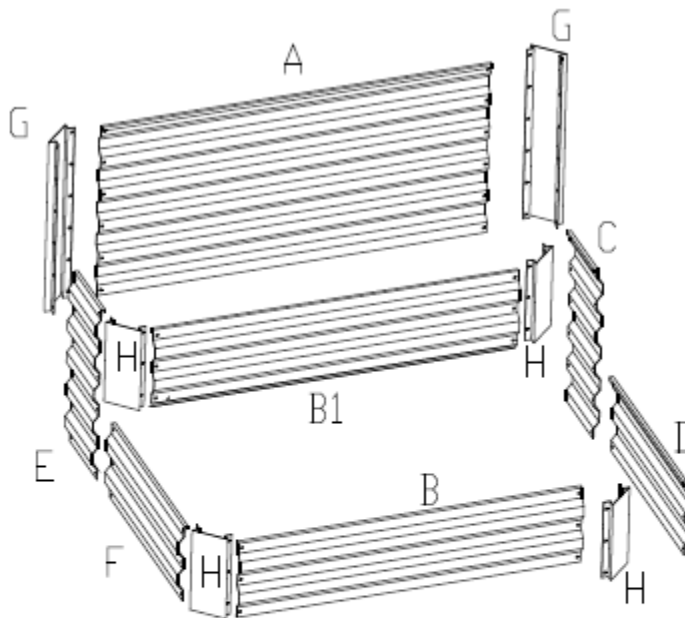
<b>Product Name:</b>	WHPL1668
<b>SKU #:</b>	2-Tier Galvanized Metal Garden Bed Planter

Thank you for purchasing this LuxenHöme product. This product has been manufactured with the highest standards of safety and quality.

**PLEASE READ ALL INSTRUCTIONS BEFORE ASSEMBLY.**

Unpack all parts from Styrofoam and bubble wrap inside the carton to ensure there are no missing or damaged parts. If any parts are missing or damaged, do not attempt to assemble or use the product.

**CARTON CONTENTS:**



Part	Description	Quantity	Part	Description	Quantity
A	back panel	1	E	left short panel	1
B	front panel	2	F	left long panel	1
C	right short panel	1	G	tall frame	2
D	right long panel	1	H	short frame	4

**Hardware:**



Bolt

54PCS



Nut

54PCS



Allen key

1PC

**Tools required for assembly:** Allen Key (included)

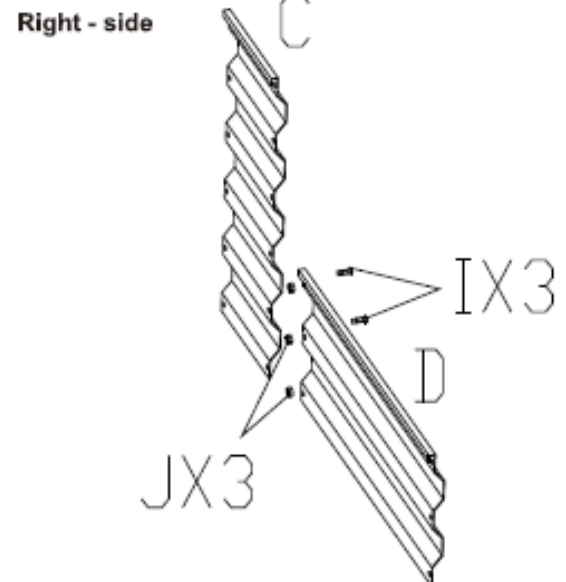
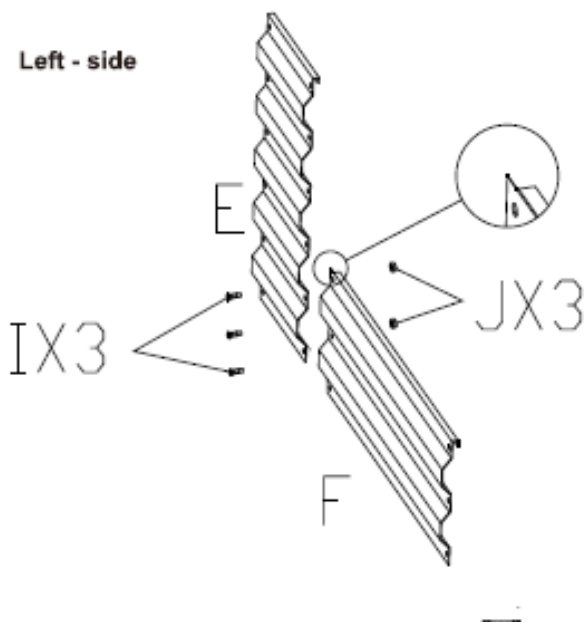
<b>Product Name:</b>	WHPL1668
<b>SKU #:</b>	2-Tier Galvanized Metal Garden Bed Planter

### **SAFETY INFORMATION:**

- Tighten all screws before using.
- This planter is intended for outdoor use only. The floor may be wet when watering the plant.
- Not for use by children. Keep children and pets away from the planter.
- It is suggested to wear gloves when assembling the planter.

### **ASSEMBLY INSTRUCTIONS:**

1. Select a flat surface for your garden bed planter. Align the holes on the left long panel (F) with the bottom 2 holes on the left short panel (E). Attach the panels with bolts (I) and nuts (J). Do the same for the right long panel (D) and the right short panel (C).

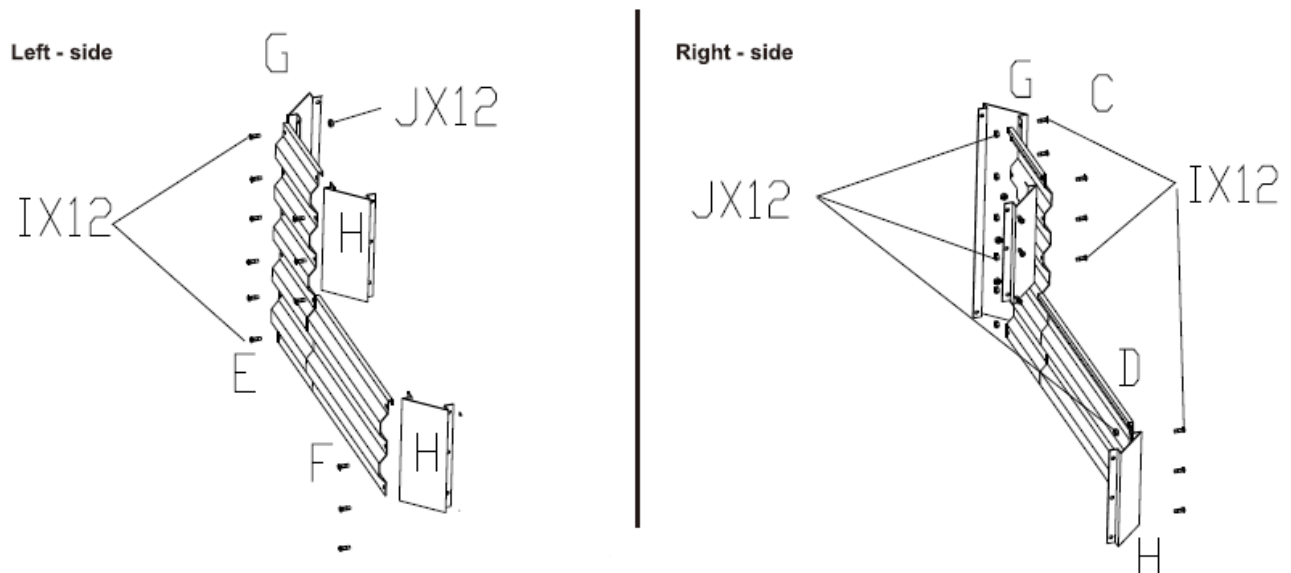


<b>Product Name:</b>	WHPL1668
<b>SKU #:</b>	2-Tier Galvanized Metal Garden Bed Planter

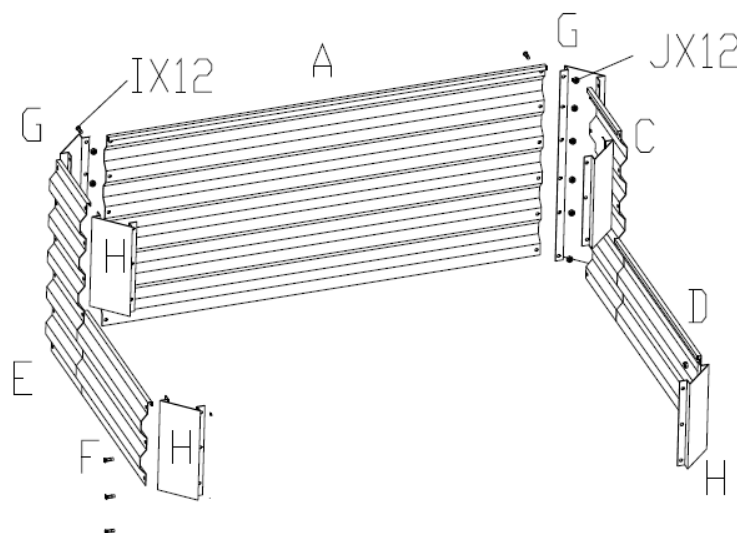
2. Align the holes on the tall frame (G) with the holes of the left short panel €. Attach the tall frame and short panel with bolts (I) and nuts (J).

Align the holes on the short frame (H) with the top 2 holes of the left short panel €. Attach the short frame and short panel with bolts (I) and nuts (J).

Align the holes on another short frame (H) with the holes of the left long panel (F). Attach the short frame and left long panel with bolts (I) and nuts (J). Do the same for the tall frame (G), right short panel (C), right long panel (D), and short frame (H).



3. Attach the back panel (A) to the left part and the right parts from Steps 1 and 2 with bolts (I) and nuts (J).



<b>Product Name:</b>	WHPL1668
<b>SKU #:</b>	2-Tier Galvanized Metal Garden Bed Planter

4. Attach front panels (B) to assembled section from step 3 with bolts (I) and nuts (J),

