

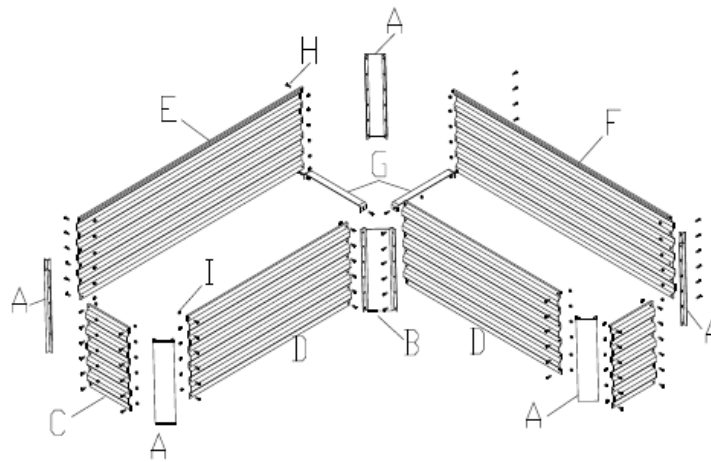
Product Name:	WHPL1667
SKU #:	L-Shaped Galvanized Metal Garden Bed Planter

Thank you for purchasing this LuxenHöme product. This product has been manufactured with the highest standards of safety and quality.

PLEASE READ ALL INSTRUCTIONS BEFORE ASSEMBLY.

Unpack all parts from Styrofoam and bubble wrap inside the carton to ensure there are no missing or damaged parts. If any parts are missing or damaged, do not attempt to assemble or use the product.

CARTON CONTENTS:



Part		
A	Frame A	5
B	Frame B	1
C	Shortest panel	2
D	Short panel	2
E	Long panel (with the top hole on the left of center)	1
F	Long panel (with the top hole on the right of center)	1
G	reinforcement stick	2

Hardware:



Bolt
74PCS



Nut
74PCS



Allen key
1 PC

Tools required for assembly: Allen Key (included)

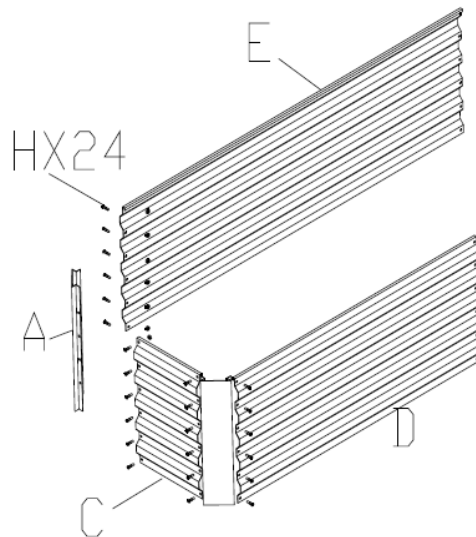
Product Name:	WHPL1667
SKU #:	L-Shaped Galvanized Metal Garden Bed Planter

SAFETY INFORMATION:

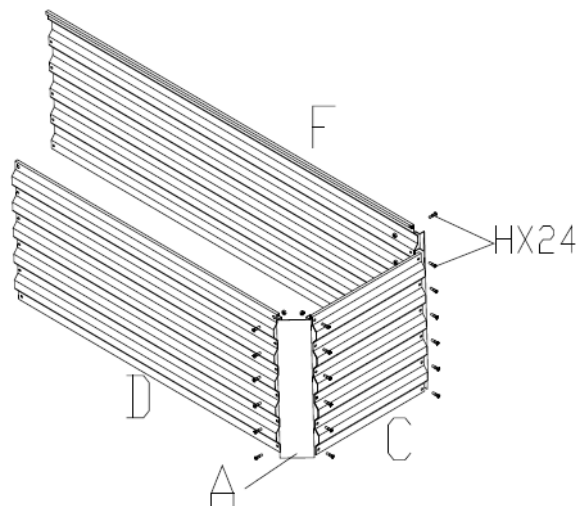
- Tighten all screws before using.
- This planter is intended for outdoor use only. The floor may be wet when watering the plant.
- Not for use by children. Keep children and pets away from the planter.
- It is suggested to wear gloves when assembling the planter.

ASSEMBLY INSTRUCTIONS:

1. Select a flat surface for your garden bed planter. Align the holes on the frame (A) with the holes on the shortest panel (C) and the short inner side panel (D). Attach the frame and panels with bolts (H) and nuts (I).

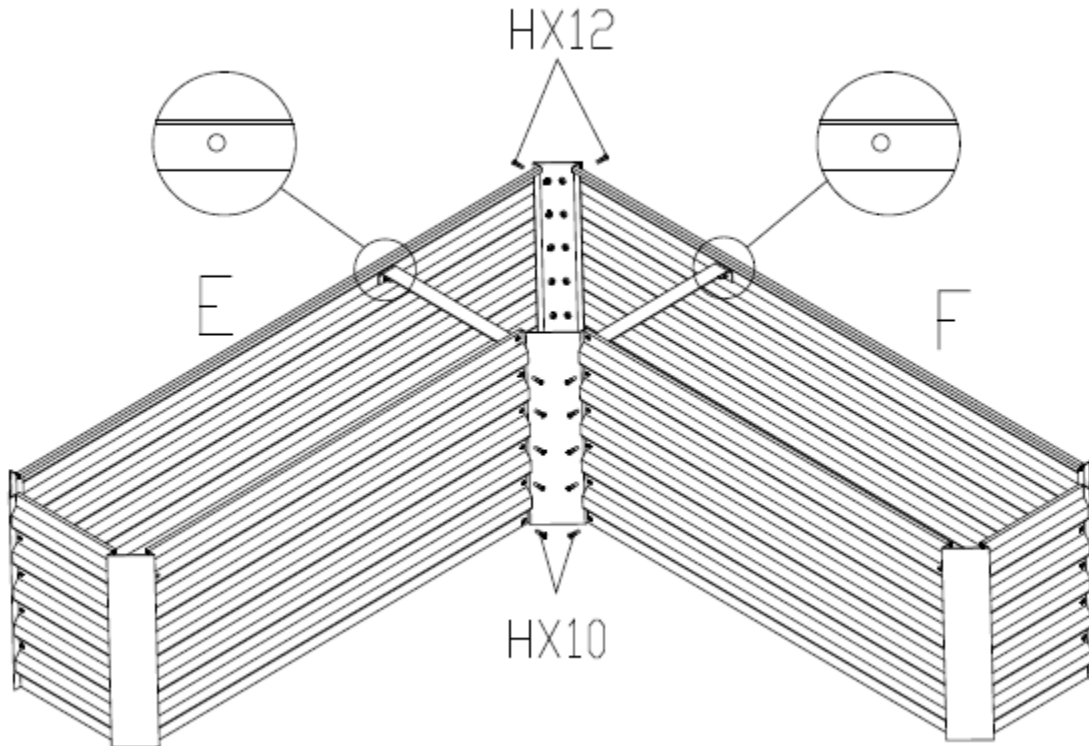


2. Connect the second panel (C) to the long side panel (F) and short side panel (D) with the frame (A) using bolts (H) and nuts (I).



Product Name:	WHPL1667
SKU #:	L-Shaped Galvanized Metal Garden Bed Planter

3. Attach the assembled parts from steps 1 and 2 using Frame (A) for the outer section of the L-shaped planter and Frame (B) for the inner section. Use bolts (H) and nuts (I) to connect the parts.



4. Attach the reinforcement sticks (G) on the top of short panels (D) and long panels (E and F) with bolts (H) and nuts (I),

