

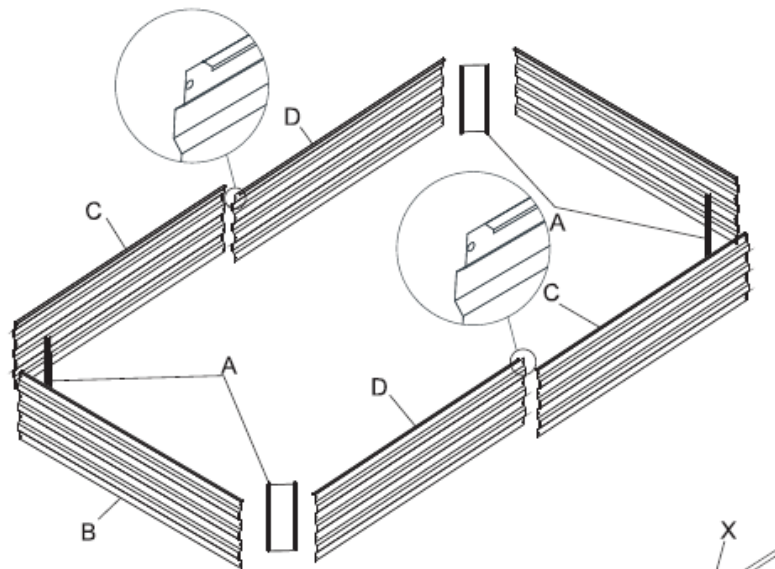
Product Name:	WHPL1666
SKU #:	Rectangular Galvanized Metal Garden Bed Planter

Thank you for purchasing this LuxenHöme product. This product has been manufactured with the highest standards of safety and quality.

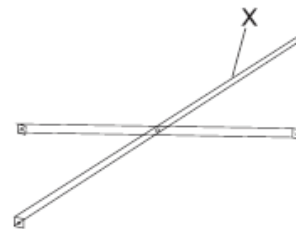
PLEASE READ ALL INSTRUCTIONS BEFORE ASSEMBLY.

Unpack all parts from Styrofoam and bubble wrap inside the carton to ensure there are no missing or damaged parts. If any parts are missing or damaged, do not attempt to assemble or use the product.

CARTON CONTENTS:



Part	Description	Quantity
A	frame	4
B	short panel	2
C	long panel	2
D	breached panel	2
X	X reinforcement stick	1



Hardware:



Bolt
40PCS



Nut
40PCS



Allen key
1PC

Tools required for assembly: Allen Key (included)

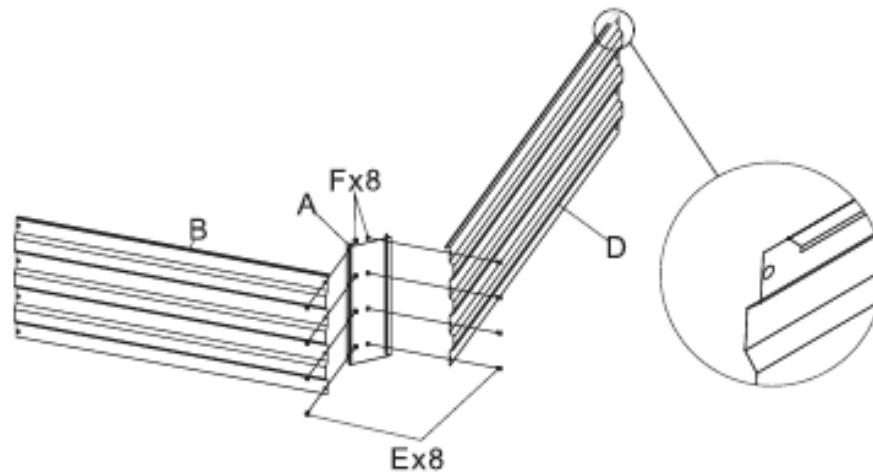
Product Name:	WHPL1666
SKU #:	Rectangular Galvanized Metal Garden Bed Planter

SAFETY INFORMATION:

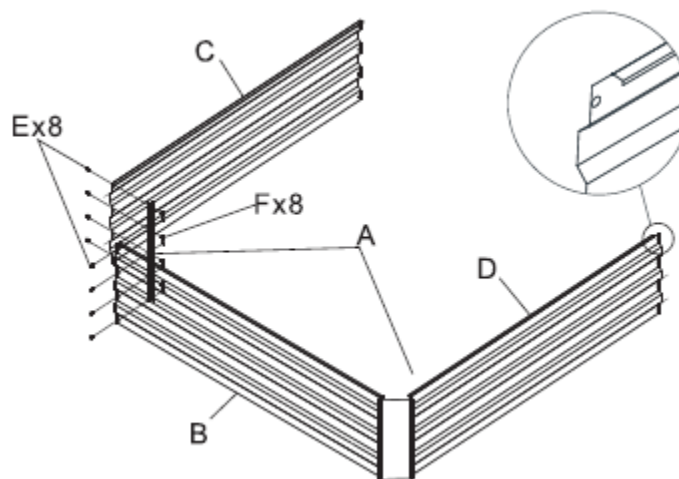
- Tighten all screws before using.
- This planter is intended for outdoor use only. The floor may be wet when watering the planter.
- Not for use by children. Keep children and pets away from the planter.
- It is suggested to wear gloves when assembling the planter.

ASSEMBLY INSTRUCTIONS:

1. Select a flat surface for your garden bed planter. Align the holes on the frame (A) with the holes on the short panel (B) and the side panel (D). Attach the frame and panels with bolts (E) and nuts (F).

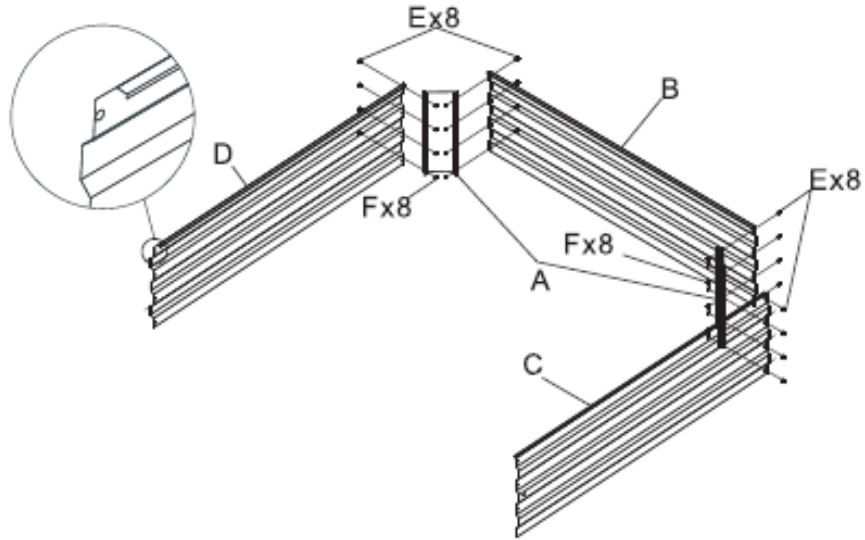


2. Connect the other side of the panel (B) to the side panel (C) with the frame (A) using bolts (E) and nuts (F).



Product Name:	WHPL1666
SKU #:	Rectangular Galvanized Metal Garden Bed Planter

3. Repeat steps 1 and 2 for the opposite side of the garden bed.



4. Attach panels C and D and X-reinforcement sticks (X) with bolts (E) and nuts (F).

