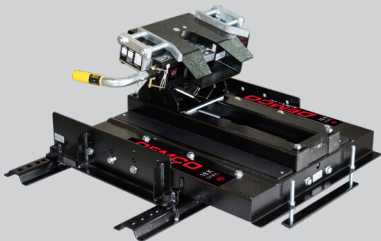




# DEMCO

2023 5TH WHEEL HITCHES



# RECON 5TH WHEEL HITCHES

The Recon is a lighter weight geometric design with multiple mounting options. The lighter weight design allows you to easily separate the hitch into three pieces making installation and removal quick and easy. Because the Recon utilizes a standard 5th wheel head design, no adapter plates or pin box modifications are needed. Made in the USA!

# DEMCO RECON

**Latch handle built in**  
no additional levers or rods needed to hook  
or unhook

**Light weight design**  
three piece design for easy install and removal



**Wrap around jaw**  
with locking bar for a stronger, safer and  
more secure towing experience

**Dual articulation head**  
for easy hookup and release on uneven  
terrain



RECON FOR INDUSTRY STANDARD  
BED RAILS



8550044

RECON FOR GOOSEBALL



8550045

RECON FOR RECESSED GOOSEBALL



8550046

# RECON 5TH WHEEL HITCHES

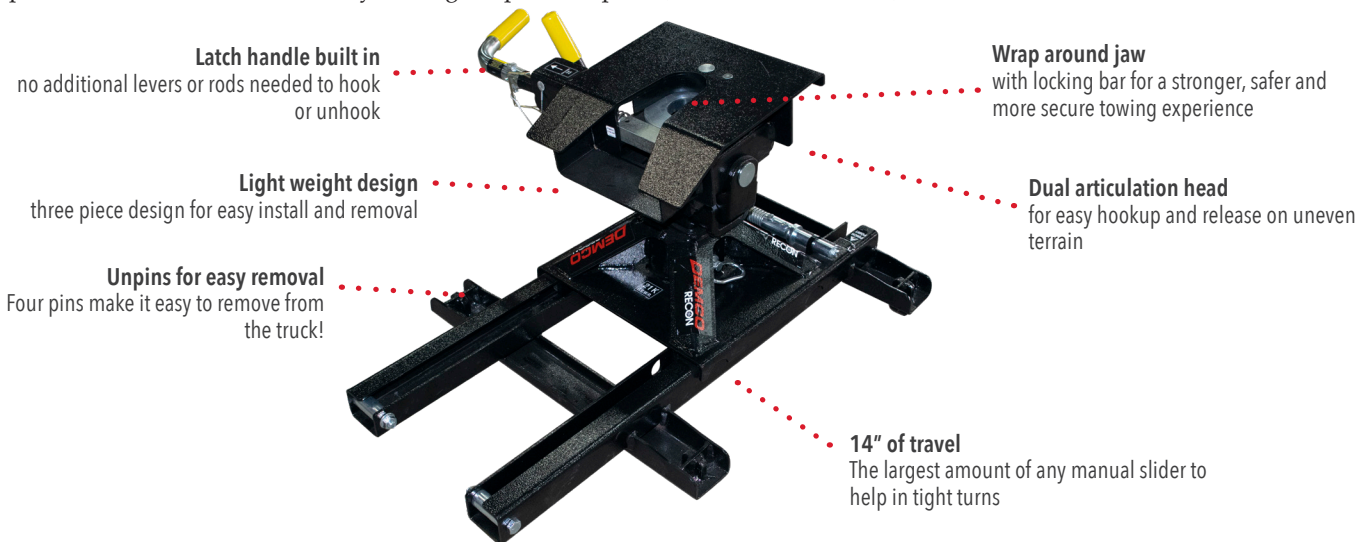
## *Peace of Mind*

- Three Applications: Industry Standard Rails, Gooseball mount, and recessed Gooseball
- Gooseball mount fits any standard 4" or 5" 2-5/16" Gooseneck ball
- Flat deck applications with recessed Gooseneck ball (13/16" top of ball to top of bed deck)
- Latch handle built in – No additional levers or rods needed to hook or unhook
- Lighter weight, three piece design for easy install and removal
- Wrap around jaw with lock bar for stronger, more secure, safer towing experience
- Dual articulation head for easy hookup and release on uneven terrain
- 3 height adjustments 15-1/2" to 18" for 8550043, 8550044, 8550045
- 3 height adjustments 11-1/2" to 14" for 8550046
- 21,000 lb. towing capacity
- Made in the USA

PART DESCRIPTION	PART #
ISR Mount (rails not included)	8550043
ISR Mount (rails included)	8550044
2 5/16 Goose Ball Mount	8550045
Flat Deck (recessed 2 5/16 Goose Ball Mount)	8550046

# RECON SLIDER 5TH WHEEL HITCH

**You asked and we listened!** Continuing in the tradition of the Recon series, the Recon Slider is a lighter weight version of traditional manual sliders. With up to 14" of travel and the ability to easily remove the hitch from the truck, the Recon Slider sets a new bar within the 5th wheel hitch market. Utilizing copolymer, self-lubricating bushings to make for smooth slide movement you will enjoy years of operational enjoyment! The Recon Slider can be ordered with Industry standard bed rails or without. For trucks with a puck system, pair with one of Demco's industry leading OE puck adapters (see inside back cover). **Made in the USA!**



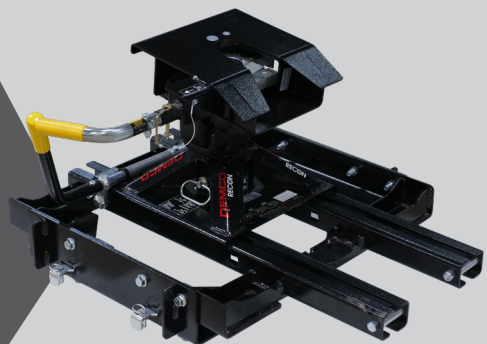
## 21K RECON SLIDER FOR FACTORY 5TH WHEEL PREP SYSTEMS (PUCKS)

2020 - Present Chevrolet / GMC 2500 & 3500

2011 - Present Ford F250 / F350

2013 - Present Ram 2500 / 3500

Demco Underbed Mounting Series (UMS)



- 21K Towing Capacity
- Short Bed Applications
- Three Vertical Height Adjustments
- 14 inches of travel to help you maneuver into those tight spots
- Wrap Around Jaw with lock bar for stronger, safer and more secure towing experience
- Dual Articulation Head for easy hook up and release on uneven terrain
- Light weight design three piece design for easy install and removal
- Fits industry standard bed rails

# RECON SLIDER

## *It Makes Us Smile Too*



PART DESCRIPTION	PART #
Recon Slider (rails not included)	8550052
Recon Slider (rails included)	8550053
2020-Present Chevrolet/GMC 2500 & 3500	8550068
2011-Present Ford F250/F350	8550066
2013-Present Ram 2500/3500	8550067
Demco Underbed Mounting Series (UMS)	8550065

PREP SYSTEMS

### Changing Truck Brands?

*Demco has you covered. Take your Recon Slider with you to the new truck. We have interchangeable mounting plates for the applications below.*

Demco UMS	6436
Ford Factory 5th Wheel Prep	6437
Ram Factory 5th Wheel Prep	6438
Chevy/GMC Factory 5th Wheel Prep	6439



## 13K AUTOSLIDE

*Enjoy the Simple Things*

- Automatic sliding 5<sup>th</sup> wheel hitch
- Fits industry standard rails
- Low profile design
- Three mounting systems to fit your needs
- 3 vertical height adjustments to help you level truck and trailer
- 5 year warranty
- Made in the USA with American steel

*\* Frame Mounting Brackets must be ordered separately*

*\* Need locking plate in conjunction with some pin boxes. See "Locking Plates" on page 8*

*\* For OE 5th Wheel Prep fits see page 11*

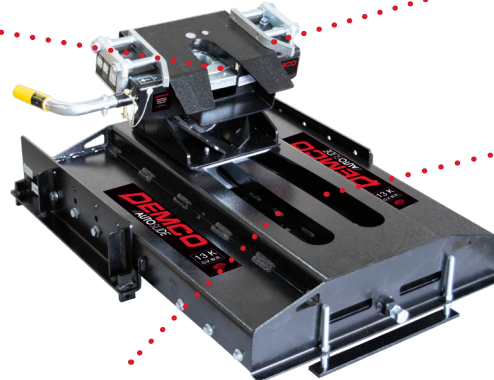
PART DESCRIPTION	PART #
13K Above Mount <i>Industry Standard Bed Rails Included</i>	8550047
13K Above Bed Mount <i>Bed Rails NOT Included</i>	8550048
13K Under <i>Bed Mount (UIMS)</i>	8550049

# 13K AUTOSLIDE

The answer for a pickup with a 5-1/2' or 6' bed. The new 13K Autoslide will give you peace of mind not having to worry about cornering in tight spaces, getting in and out of the truck to pull a pin and manually slide the hitch! Come rain or shine the 13K Autoslide simply makes your life easier.

**Wrap around jaw**  
with locking bar for a smoother, safer and more secure ride

**No locking plate required**  
for standard pin boxes to activate slide mechanism



**22 1/2 INCHES OF TRAVEL**  
to help get in and out of those tight spots

**UP TO 2 3/4 INCHES SIDE-TO-SIDE TRAVEL**  
to keep your pin-box from hitting Bed Rails or Tonneau-cover rails

**13K ABOVE BED MOUNT**  
*Industry Standard Bed Rails Included*



8550047

**13K ABOVE BED MOUNT**  
*Bed Rails NOT Included*

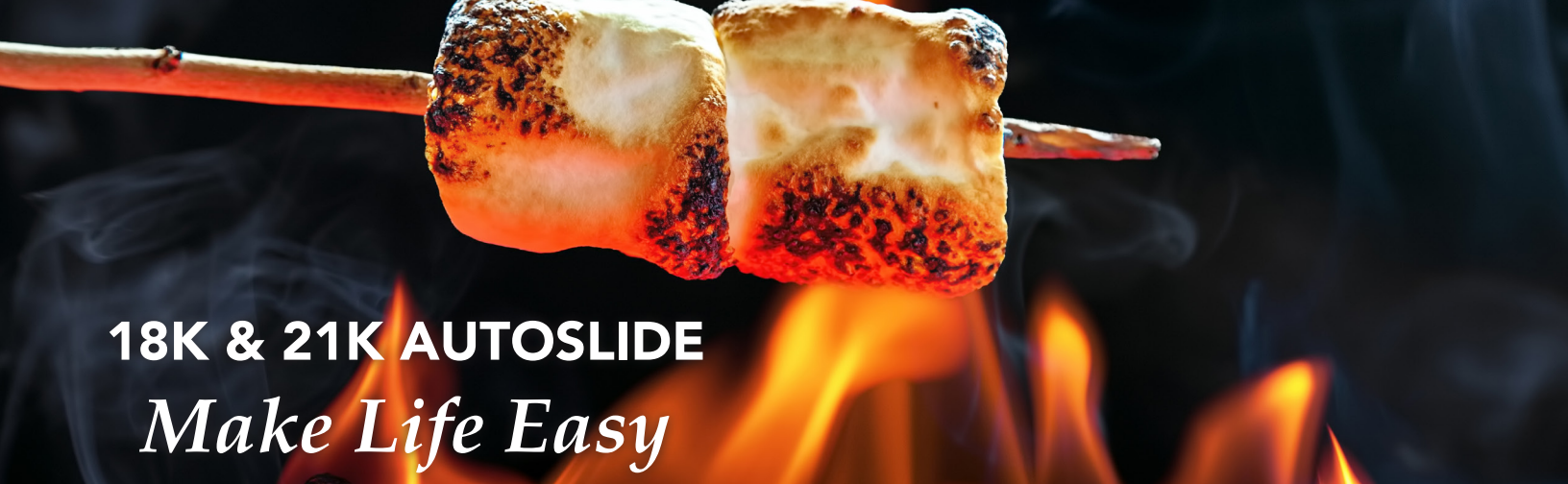


8550048

**13K UNDER BED MOUNT (UMS)**



8550049



# 18K & 21K AUTOSLIDE

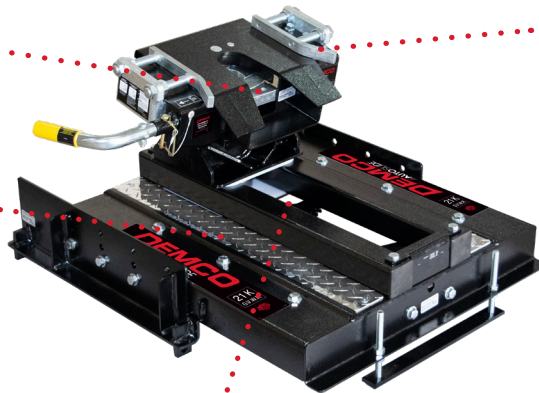
## *Make Life Easy*

The 18K & 21K Autoslide Ultra series makes towing fun. Just hook up and go is what we like to say. Utilizing the “Above Bed” or Ultra series mounting system this 18K or 21K Autoslide does everything you need it to do. Getting in to and out of those tight spaces will be a breeze! Already have a Demco Ultra Series Manual or stationary 5th wheel hitch? Simply upgrade to the 18K or 21K Autoslide without having to change your mounting system. Just drop in, hook up and go!

**Wrap around jaw**  
with locking bar for a smoother, safer and more secure ride

**No locking plate required**  
for standard pin boxes to activate slide mechanism

**UP TO 14 INCHES TRAVEL**  
to help get in and out of those tight spots



**SLIDES**  
using rack and pinion gear technology

### Locking Plates

*For use with Autoslide in conjunction with a Pin Box listed below*

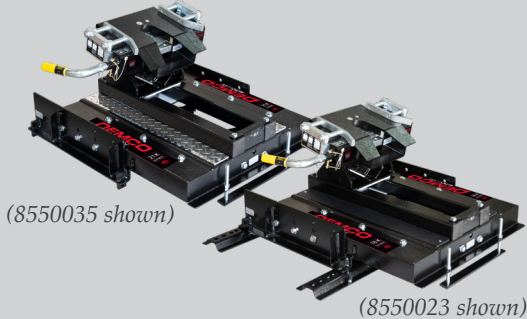
PART DESCRIPTION	PART #
Lippert Rhino Pin Box	6335
Trailair Tri Glide	6095
Trailair Rota Flex & Trailair Flexair	6171
MOR/Ryde Pin Box	6025
5 <sup>th</sup> Airborn Standard Pin Box	6026
5 <sup>th</sup> Airborn Extended Pin Box	6062
Demco Glide Ride Pin Box	6036
Lippert Turning Point, New 5 <sup>th</sup> Airborne Pinbox, & Gen Y Pin Box	6285





# 18K & 21K AUTOSLIDE

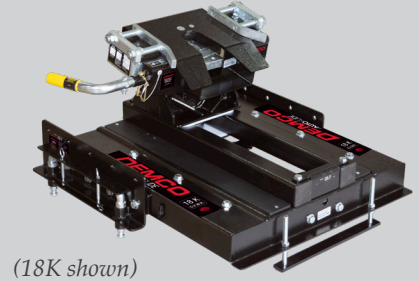
## 18K & 21K ABOVE BED MOUNT



## 18K & 21K UNDER BED MOUNT (UMS)



## 18K & 21K OE FACTORY PREP MOUNTS



PART DESCRIPTION	PART #
18K Above Bed Mount <i>Industry Standard Bed Rails Included</i>	8550023
18K Above Bed Mount <i>Bed Rails NOT Included</i>	8550034
21K Above Bed Mount <i>Industry Standard Bed Rails Included</i>	8550036
21K Above Bed Mount <i>Bed Rails NOT Included</i>	8550035

PART DESCRIPTION	PART #
18K Under Bed Mount (UMS)	8550022
21K Under Bed Mount (UMS)	8550037

PART DESCRIPTION	PART #
18K Under Bed Mount <i>Ford Prep Package</i>	8550024
18K Under Bed Mount <i>Ram Prep Package</i>	8550060
18K Under Bed Mount <i>Chevy/GMC Prep Package 2000+</i>	8550061
21K Under Bed Mount <i>Ford Prep Package</i>	8550038
21K Under Bed Mount <i>Ram Prep Package</i>	8550062
21K Under Bed Mount <i>Chevy/GMC Prep Package 2000+</i>	8550063

## Changing Truck Brands?

*Demco has you covered. Take your Autoslide with you to the new truck. We have interchangeable mounting plates for the applications below.*

ISR	6003	Ram Factory 5th Wheel Prep	6401
Demco UMS	6004	Ford Factory 5th Wheel Prep	6402
Ford Factory 5th Wheel Prep	6033		

# HITCHES AND HITCH ACCESSORIES



## 21K UMS SERIES (UNDER BED MOUNT, FORD PREP & GMC PREP)

- 21K towing capacity
- Long box application
- Four vertical height adjustments

### 8550032 – UMS Series

- Frame mounting brackets must be ordered separately

### 8550033 – Ford Prep Package

### 8550050 – Chevy/GMC Prep Package



## 31K SL SERIES (UNDER BED MOUNT FOR CHEVROLET/GMC PREP, FORD PREP, AND RAM PREP)

- 31K towing capacity
- Long box application
- Four vertical height adjustments
- Wrap Around Jaw with locking bar for a smoother, safer and more secure ride

### 8550054 – Ford Factory Prep Install

### 8550055 – Chevy/GMC 2016-2019 Factory Prep Install

### 8550056 – Chevy/GMC 2020-Present Factory Prep Install

### 8550057 – Ram Factory Prep Install

## 5TH WHEEL HITCH ACCESSORIES

PART DESCRIPTION	PART #	PART DESCRIPTION	PART #
<b>Gooseneck Adapters</b>		<b>5th Wheel Wiring Harness</b>	
Premier/Ultra Series 25K Gooseneck	5996	10'	8555002
UMS Gooseneck	5988		
<b>Bed Rail Kits</b>		<b>Vinyl Cover</b>	
SL Series Bed Rail Kit	6012	5th Wheel Cover	14844
Premier Series Bed Rail Kit <i>(fits industry standard rails)</i>	6071		

At Demco we know you love your 5th wheel hitch and want to take it with you when you get a new truck! With Demco's OE adapters you can interchange from one truck manufacturer to another by simply purchasing a new OE adapter for the new truck! Go ahead – Buy that new truck. Demco has your OE puck adapter ready!

## B&W- 6140

*Converts the B&W ball mount to a 21K ISR rail system.  
Adjustable for bed liners*

*\*Not for use with  
automatic sliding  
hitches*



## Ford 5<sup>th</sup> Wheel Prep Bracket- 6175

*25K rated industry standard rail system for installed 5<sup>th</sup>  
wheel prep hitch package*



**F250 & F350: 2011-Present**

## Ram 5<sup>th</sup> Wheel Prep Bracket- 6099

*25K rated industry standard rail system for installed  
5<sup>th</sup> Wheel Prep Hitch Package*



**2500: 2014-Present**  
**3500: 2013-Present**

## Chevrolet/GMC 5<sup>th</sup> Wheel Prep Brackets

*Industry standard rail system for installed 5<sup>th</sup> wheel prep  
hitch package*

*25K  
rated*



6333 for 6.5' & 8' Bed

**2500 & 3500: 2020- present**

## Nissan 5<sup>th</sup> Wheel Adapter- 6200

*21K rated industry standard rail system for installed 5<sup>th</sup> wheel  
prep hitch package*



**Titan XD: 2016-Present**

*21K  
rated*



6206 for 8' Bed  
6194 for 6.5' Bed

**2500 & 3500: 2016-2019**

# Award Winning Towing

**DEMCO**

**WWW.DEMCO-PRODUCTS.COM**

**1-800-543-3626**