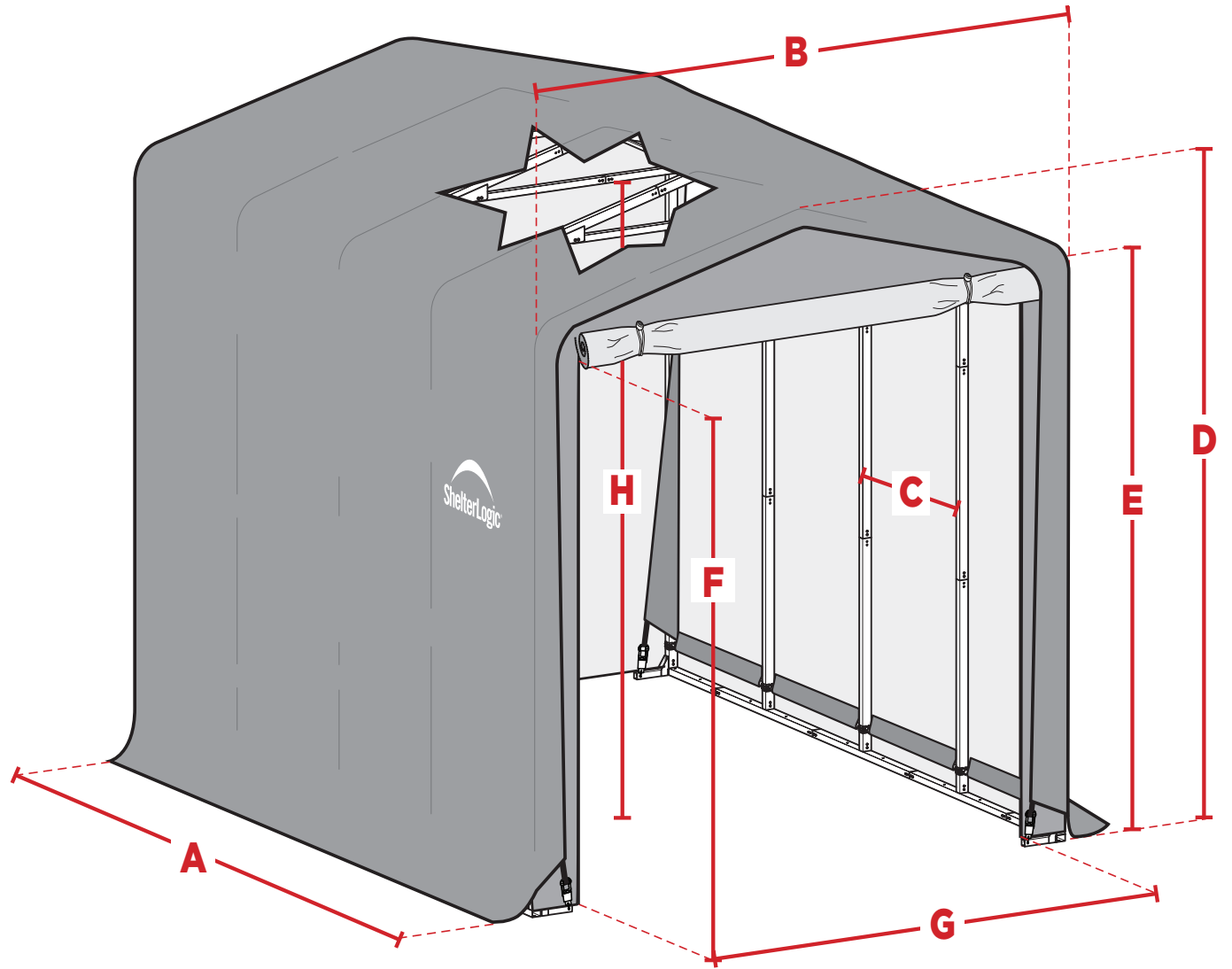


# 14 ft. Wide, 16 ft. High

- A. FRAME LENGTH**  
(OUTSIDE TUBE TO OUTSIDE TUBE)
- B. FRAME WIDTH**  
(OUTSIDE TUBE TO OUTSIDE TUBE)
- C. FRAME RIB SPACING**  
(TUBE CENTER TO TUBE CENTER)
- D. OVERALL PEAK HEIGHT**
- E. FRAME EAVE HEIGHT**
- F. DOOR OPENING HEIGHT**
- G. DOOR OPENING WIDTH**
- H. HORIZONTAL BAR**  
(BOTTOM TO GROUND)



Model #	A		B		C		D		E		F		G		H	
	In.	cm	In.	cm	In.	cm	In.	cm	In.	cm	In.	cm	In.	cm	In.	cm
CPH(C) xxxxxx <b>141816</b>	217.00	551.18	171.00	434.34	53.75	136.53	192.00	487.68	169.00	429.26	169.50	430.53	144.00	365.76	175.00	444.50
<b>142316</b>	270.75	687.71	171.00	434.34	53.75	136.53	192.00	487.68	169.00	429.26	169.50	430.53	144.00	365.76	175.00	444.50
<b>142716</b>	324.50	824.23	171.00	434.34	53.75	136.53	192.00	487.68	169.00	429.26	169.50	430.53	144.00	365.76	175.00	444.50
<b>143216</b>	378.25	960.76	171.00	434.34	53.75	136.53	192.00	487.68	169.00	429.26	169.50	430.53	144.00	365.76	175.00	444.50
<b>143616</b>	432.00	1097.28	171.00	434.34	53.75	136.53	192.00	487.68	169.00	429.26	169.50	430.53	144.00	365.76	175.00	444.50
<b>144016</b>	485.75	1233.81	171.00	434.34	53.75	136.53	192.00	487.68	169.00	429.26	169.50	430.53	144.00	365.76	175.00	444.50
<b>144516</b>	539.50	1370.33	171.00	434.34	53.75	136.53	192.00	487.68	169.00	429.26	169.50	430.53	144.00	365.76	175.00	444.50
<b>144916</b>	593.25	1506.86	171.00	434.34	53.75	136.53	192.00	487.68	169.00	429.26	169.50	430.53	144.00	365.76	175.00	444.50
<b>145416</b>	647.00	1643.38	171.00	434.34	53.75	136.53	192.00	487.68	169.00	429.26	169.50	430.53	144.00	365.76	175.00	444.50
<b>145816</b>	700.75	1779.91	171.00	434.34	53.75	136.53	192.00	487.68	169.00	429.26	169.50	430.53	144.00	365.76	175.00	444.50
<b>146316</b>	754.50	1916.43	171.00	434.34	53.75	136.53	192.00	487.68	169.00	429.26	169.50	430.53	144.00	365.76	175.00	444.50
<b>146716</b>	808.25	2052.96	171.00	434.34	53.75	136.53	192.00	487.68	169.00	429.26	169.50	430.53	144.00	365.76	175.00	444.50
<b>147216</b>	862.00	2189.48	171.00	434.34	53.75	136.53	192.00	487.68	169.00	429.26	169.50	430.53	144.00	365.76	175.00	444.50
<b>147616</b>	915.75	2326.01	171.00	434.34	53.75	136.53	192.00	487.68	169.00	429.26	169.50	430.53	144.00	365.76	175.00	444.50
<b>148116</b>	969.50	2462.53	171.00	434.34	53.75	136.53	192.00	487.68	169.00	429.26	169.50	430.53	144.00	365.76	175.00	444.50
<b>148516</b>	1023.25	2599.06	171.00	434.34	53.75	136.53	192.00	487.68	169.00	429.26	169.50	430.53	144.00	365.76	175.00	444.50
<b>149016</b>	1077.00	2735.58	171.00	434.34	53.75	136.53	192.00	487.68	169.00	429.26	169.50	430.53	144.00	365.76	175.00	444.50
<b>149416</b>	1130.75	2872.11	171.00	434.34	53.75	136.53	192.00	487.68	169.00	429.26	169.50	430.53	144.00	365.76	175.00	444.50
<b>149916</b>	1184.50	3008.63	171.00	434.34	53.75	136.53	192.00	487.68	169.00	429.26	169.50	430.53	144.00	365.76	175.00	444.50