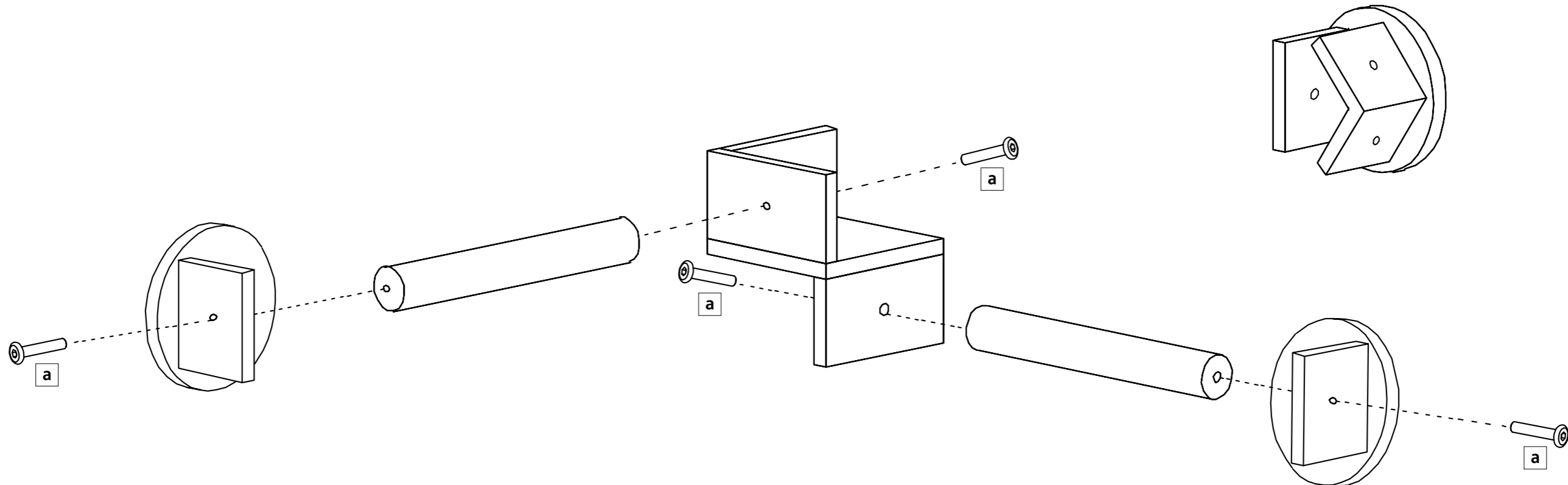
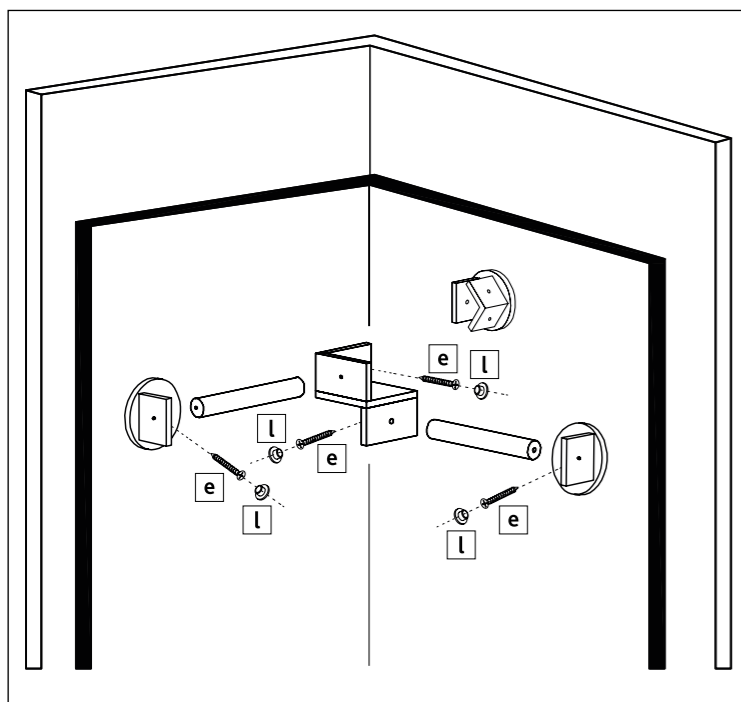


Item No.		Measurement in in./cm	Color
49895	Wall set 5, Wall path, 6 elements	2 posts: DIAM 3.5 × 22.8 in. ø 9 × 58 cm	natural/white
49905			white/gray

Description	Measurement in in./mm	Quantity	Item No.	
			49895	49905
Wall mount, end piece	DIAM 5.9 × 6.3 in. ø 150 × 160 mm	2	49892-10	01-49940
Wall mount, corner piece	6.3 × 8.3 × 6.3 in. 160 × 210 × 160 mm	1	49892-12	01-49942
Wall mount	DIAM 7.5 × 6.3 in. ø 190 × 160 mm	1	49892-11	01-49941
Post	DIAM 3.5 × 22.8 in. ø 90 × 580	2	49892-20	01-44043
Hardware set		1	49892-60	

Pos. No.	Description	Measurement in in./mm	Quantity
Pos. a	Socket screw	DIAM 0.2 × 1.5 in. ø 5 × 40 mm	12 (+2)
Pos. b	Wooden dowels	DIAM 0.2 × 1.0 in. ø 5 × 25 mm	20
Pos. c	Thread rod (to combine with posts of other wall sets)	M0.3 × 3.1 in. M8 × 80 mm	1
Pos. d	Allen key		1
Pos. e	Wood screw (for wooden wall or wooden stud)	DIAM 0.2 × 1.9 in. ø 5 × 48 mm	4
Pos. f	Screw for stone wall	DIAM 0.25 × 2.2 in. ø 6,3 × 55 mm	4
Pos. g	Stone wall anchor, plastic	DIAM 0.25 × 2.2 in. ø 6,3 × 55 mm	4
Pos. h	Metal screw (for metal stud)	DIAM 0.15 × 1.5 in. ø 4 × 37 mm	4
Pos. i	Dry wall screw	DIAM 0.15 × 1.1 in. ø 4 × 28 mm	4
Pos. j	Dry wall anchor, metal	DIAM 0.5 × 1.3 in. ø 13 × 32 mm	4
Pos. k	Washer	DIAM 0.4 in. ø 10 mm	4
Pos. l	Screw caps	DIAM 0.4 in. ø 10 mm	4





### EN Work steps for wooden wall

#### First step

Assemble the mounts as shown in the manuals.

#### Second step

Bring the corner element in final position and mark the screw-points in desired location. Use a spirit level or have someone eyeball to make sure the holes are levelled. Please mount the holder with attached screws to wooden wall at pilot marking. Cover the screws with a screw cap.

#### Third step

Attach one post to the corner element. Place one wall mount in final position by mounting it to the previously attached post (as shown in the manual). Mark the screw-points in desired location. Use a spirit level or have someone eyeball to make sure the holes are levelled.

Please mount the holder with attached screws to wooden wall at pilot marking. Cover the screws with the screw cap.

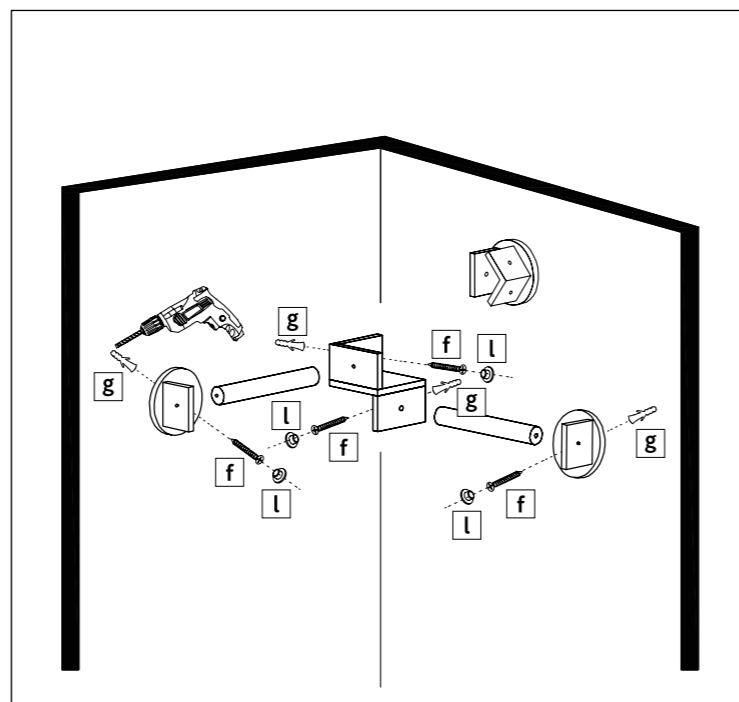
#### Final step

Repeat step three for the second post and wall mount.

#### Advice:

Please note the secure assembly and mounting requires two adult persons.

For endless combinations we added an additional wall mount and extra screws to combine our climbing elements in a multitude of ways.



### EN Work steps for stone wall or plaster wall with anchors

#### First step

Assemble the mounts as shown in the manuals.

#### Second Step

Bring the corner element in final position and mark the screw-points in desired location. Use a spirit level or have someone eyeball to make sure the holes are levelled.

#### Third Step

Drill 1/4" holes at pilot marking, be sure to keep the drill level. Make sure hole depth matches wall anchor length. Insert 1/4" wall anchors into drilled holes (some anchors might require a hammer). Please mount the holder with attached screws to the anchor. Cover the screws with a screw cap.

#### Fourth step

Attach one post to the corner element. Place one wall mount in final position by mounting it to the previously attached post (as shown in the manual). Mark the screw-points in desired location. Use a spirit level or have someone eyeball to make sure the holes are levelled. For drilling and mounting please repeat step three.

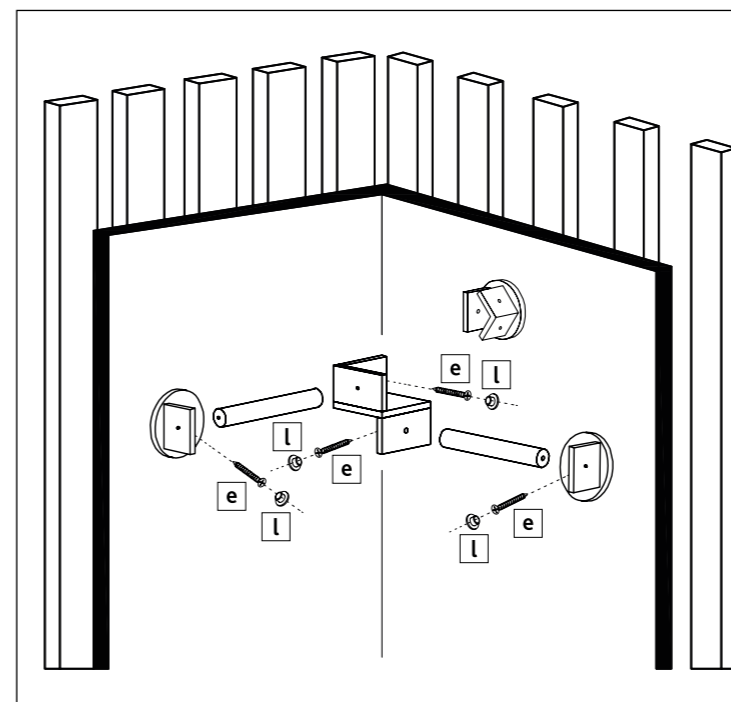
#### Final step

Repeat step four for the second post and wall mount.

#### Advice:

Please note the secure assembly and mounting requires two adult persons.

For endless combinations we added an additional wall mount and extra screws to combine our climbing elements in a multitude of ways.



### EN Work steps for drywall with wooden drywall stud or metal stud

#### First step

Assemble the mounts as shown in the manuals.

#### Second step

Use a stud-finder or other technique to locate the studs. Please use a pencil. Bring the corner element in final position and mark the screw-points in desired location. Use a spirit level or have someone eyeball to make sure the holes are levelled.

#### Third step

Before you start, make sure to check whether you have wooden or metal studs to select the correct screws. For wooden stud: Mount the corner element with attached screws to studs at pilot markings. For metal stud: Mount the corner element with attached washers and screws to studs at pilot markings. Cover the screws with screw caps.

#### Fourth step

Attach one post to the corner element. Place one wall mount in final position by mounting it to the previously attached post (as shown in the manual). Mark the screw-points in desired location. Use a spirit level or have someone eyeball to make sure the holes are levelled. Please repeat the mounting of the holder as described in step three for wooden or metal studs. If the final position of any holder is not located at a stud, please use the attached drywall screws and drywall anchors for mounting. Please find the instructions for mounting under "Work steps for drywall - Drywall connection with drywall anchor"

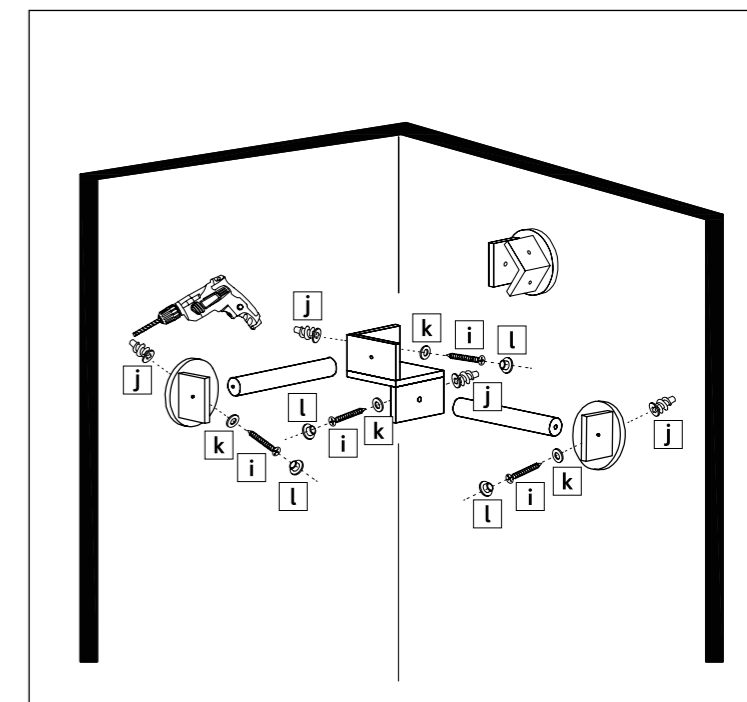
#### Final step

Repeat step four for the second post and wall mount.

#### Advice:

Please note the secure assembly and mounting requires two adult persons.

For endless combinations we added an additional wall mount and extra screws to combine our climbing elements in a multitude of ways.



### EN Work steps for drywall - Drywall connection with drywall anchor

#### First step

Assemble the mounts as shown in the manuals.

#### Second step

Bring the corner element in final position and mark the screw-points in desired location. Use a spirit level or have someone eyeball to make sure the holes are levelled.

#### Third step

If you use self-drilling wall anchors a pilot hole is not needed. Use your drill and the 3/16" bit to make pilot holes for maximum 1 inch to markings. Insert wall anchors for dry walls. Be careful not to break the drywall panel. Mount the corner element with attached screws to the anchor and cover the screws with screw caps.

#### Fourth step

Attach one post to the corner element. Place one wall mount in final position by mounting it to the previously attached post (as shown in the manual). Mark the screw-points in desired location. Use a spirit level or have someone eyeball to make sure the holes are levelled. For drilling and mounting please repeat step three.

#### Final step

Repeat step four for the second post and wall mount.

#### Advice:

Please note the secure assembly and mounting requires two adult persons.

For endless combinations we added an additional wall mount and extra screws to combine our climbing elements in a multitude of ways.