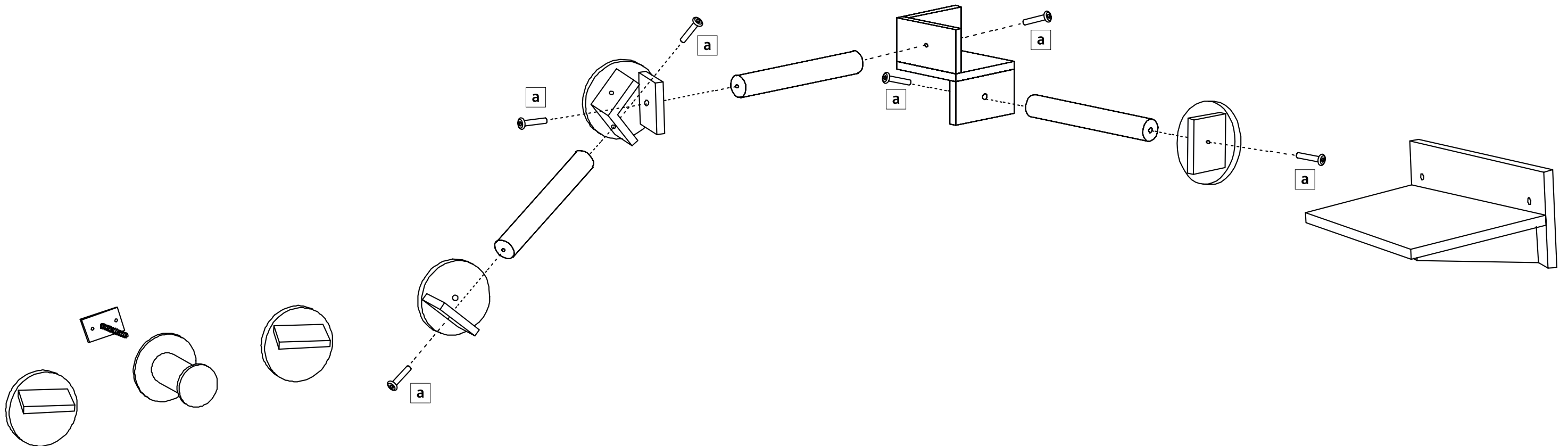
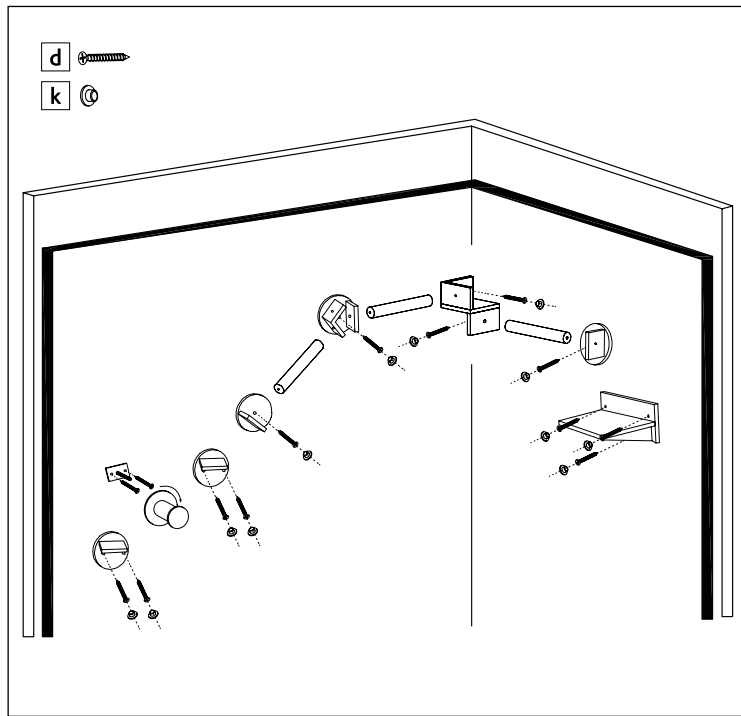


Item No.		Color
49896	Wall set 6, Wall path, 11 elements	natural/white
49906		white/gray

Description	Measurement in in./mm	Quantity	Item No.	
			49896	49906
Wall mount, end piece	DIAM 5.9 × 6.3 in. ø 150 × 160 mm	2	49892-10	01-49940
Wall mount	DIAM 7.5 × 6.3 in. ø 190 × 160 mm	1	49892-11	01-49941
Wall mount, corner element	6.3 × 8.3 × 6.3 in. 160 × 210 × 160 mm	1	49892-12	01-49942
Climbing step	DIAM 7.5 × 8.7 in. ø 190 × 220 mm	2	49892-13	01-49943
Climbing step, sisal	DIAM 7.1 × 8.7 in. ø 180 × 220 mm	1	49892-14	01-49945
Platform	19.7 × 6.9 × 14.4 in. 500 × 175 × 365 mm	1	49892-30	01-49944
Post	DIAM 3.5 × 22.8 in. ø 90 × 580 mm	2	49892-20	01-44043
Post	DIAM 3.5 × 22.8 in. ø 90 × 780 mm	1	49892-21	01-44045
Hardware set		1	49892-60	

Pos. No.	Description	Measurement in in./mm	Quantity
Pos. a	Socket screw	DIAM 0.2 × 1.5 in. ø 5 × 40 mm	22
Pos. b	Wooden dowels	DIAM 0.2 × 1.0 in. ø 5 × 25 mm	30
Pos. c	Allen key		1
Pos. d	Wood screw (for wooden wall or wooden stud)	DIAM 0.2 × 1.9 in. ø 5 × 48 mm	14
Pos. e	Screw for stone wall	DIAM 0.25 × 2.2 in. ø 6,3 × 55 mm	14
Pos. f	Stone wall anchor, plastic	DIAM 0.25 × 2.2 in. ø 6,3 × 55 mm	14
Pos. g	Metal screw (for metal stud)	DIAM 0.15 × 1.5 in. ø 4 × 37 mm	14
Pos. h	Dry wall screw	DIAM 0.15 × 1.1 in. ø 4 × 28 mm	14
Pos. i	Dry wall anchor, metal	DIAM 0.5 × 1.3 in. ø 13 × 32 mm	14
Pos. j	Washer	DIAM 0.4 in. ø 10 mm	14
Pos. k	Screw caps	DIAM 0.4 in. ø 10 mm	14





### EN Work steps for wooden wall

The manual shows you an example of the climbing path. You can design the path entirely according to your ideas and spatial conditions.

#### First step

Assemble the mounts, steps and platform as shown in the manuals.

#### Second step

Bring one wall mount of the climbing path in final position and mark the screw-points in desired location. Use a spirit level or have someone eyeball to make sure the holes are levelled. Please mount the holder with attached screws to wooden wall at pilot marking. Cover the screws with screw caps.

#### Third step

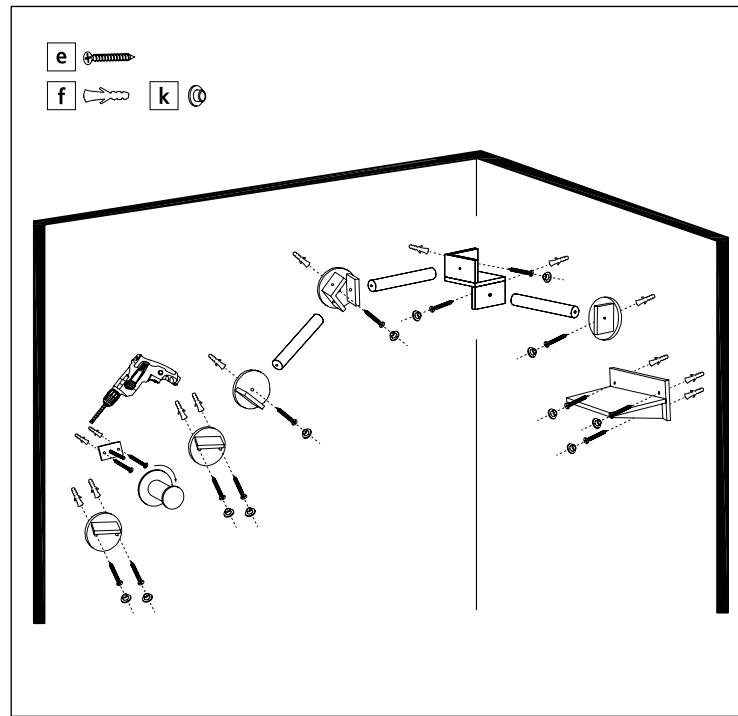
To locate the final position of the next wall mount you would like to use, attach one post to the previously attached wall mount. Mark the screw-points in desired location. Use a spirit level or have someone eyeball to make sure the holes are levelled. Mount the holder with attached screws to wooden wall at pilot marking. Cover the screws with screw caps. For mounting the steps or platform you do not need a post to find the final position.

#### Final step

Repeat mounting of step three for all parts of the climbing path. Connect the step with sisal to the metal holder and attach cap.

#### Advice:

Please note the secure assembly and mounting requires two adult persons.



### EN Work steps for stone wall or plaster wall with anchors

The manual shows you an example of the climbing path. You can design the path entirely according to your ideas and spatial conditions.

#### First step

Assemble the mounts, steps and platform as shown in the manuals.

#### Second Step

Bring one wall mount of the climbing path in final position and mark the screw-points in desired location. Use a spirit level or have someone eyeball to make sure the holes are levelled.

#### Third Step

Drill 1/4" holes at pilot marking, be sure to keep the drill level. Make sure hole depth matches wall anchor length. Insert 1/4" wall anchors into drilled holes (some anchors might require a hammer). Mount the holder with attached screws to the anchor and cover the screws with screw caps.

#### Fourth step

To locate the final position of the next wall mount you would like to use, attach one post to the previously attached wall mount. Mark the screw-points in desired location. Use a spirit level or have someone eyeball to make sure the holes are levelled. For mounting the steps or platform you do not need a post to find the final position.

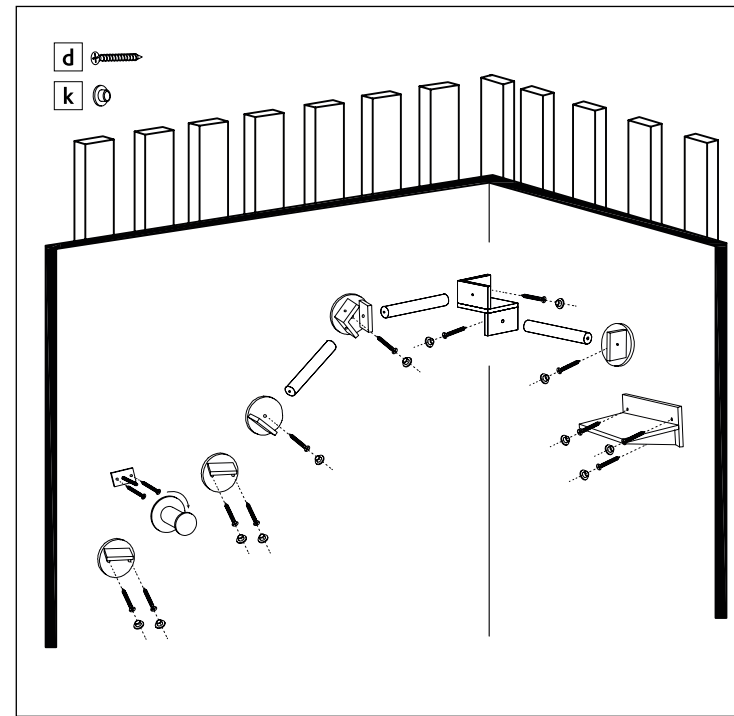
For drilling and mounting please repeat step three.

#### Final step

Repeat step four for all parts of the climbing path. Connect the step with sisal to the metal holder and attach cap.

#### Advice:

Please note the secure assembly and mounting requires two adult persons.



### EN Work steps for drywall with wooden drywall stud or metal stud

The manual shows you an example of the climbing path. You can design the path entirely according to your ideas and spatial conditions.

#### First step

Assemble the mounts, steps and platform as shown in the manuals.

#### Second step

Use a stud-finder or other technique to locate the studs. Please use a pencil. Bring one wall mount of the climbing path in final position and mark the screw-points in desired location. Use a spirit level or have someone eyeball to make sure the holes are levelled.

#### Third step

Before you start, make sure to check whether you have wooden or metal studs to select the correct screws. For wooden stud: Mount the holder with attached screws to studs at pilot markings. For metal stud: Mount the holder with attached washers and screws to studs at pilot markings. Cover the screws with screw caps.

#### Fourth step

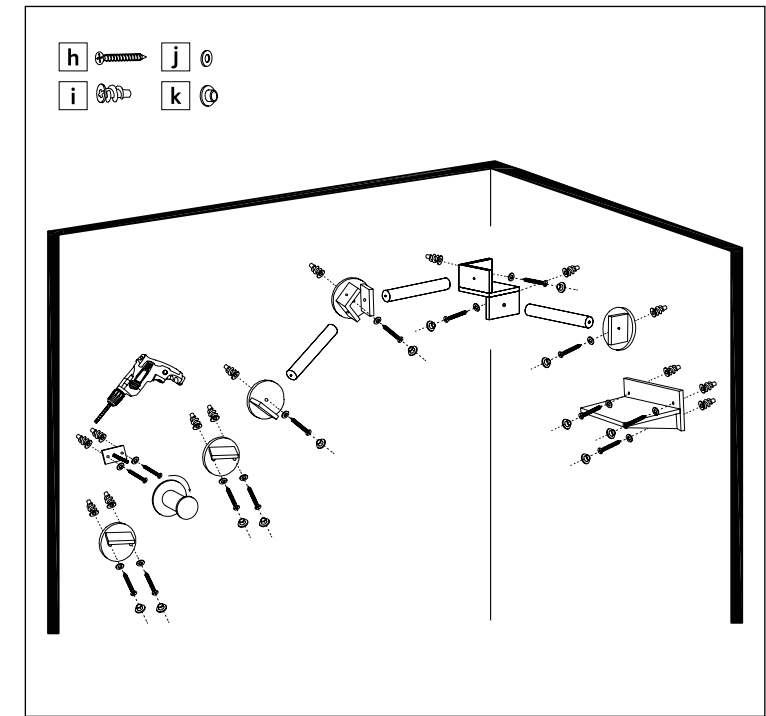
To locate the final position of the next wall mount you would like to use, attach one post to the previously attached wall mount. Mark the screw-points in desired location. Use a spirit level or have someone eyeball to make sure the holes are levelled. For mounting the steps or platform you do not need a post to find the final position. Please repeat the mounting of the holder as described in step three for wooden or metal studs. If the final position of any holder is not located at a stud, please use the attached drywall screws and drywall anchors for mounting. Please find the instructions for mounting under "Work steps for drywall - Drywall connection with drywall anchor"

#### Final step

Repeat step four for all parts of the climbing path. Connect the step with sisal to the metal holder and attach cap.

#### Advice:

Please note the secure assembly and mounting requires two adult persons.



### EN Work steps for drywall - Drywall connection with drywall anchor

The manual shows you an example of the climbing path. You can design the path entirely according to your ideas and spatial conditions.

#### First step

Assemble the mounts, steps and platform as shown in the manuals.

#### Second step

Bring one wall mount of the climbing path in final position and mark the screw-points in desired location. Use a spirit level or have someone eyeball to make sure the holes are levelled.

#### Third step

If you use self-drilling wall anchors a pilot hole is not needed. Use your drill and the 3/16" bit to make pilot holes for maximum 1 inch to markings. Insert wall anchors for dry walls. Be careful not to break the drywall panel. Mount the holder with attached screws to the anchor and cover the screws with screw caps.

#### Fourth step

To locate the final position of the next wall mount you would like to use, attach one post to the previously attached wall mount. Mark the screw-points in desired location. Use a spirit level or have someone eyeball to make sure the holes are levelled. For mounting the steps or platform you do not need a post to find the final position.

For drilling and mounting please repeat step three.

#### Final step

Repeat step four for all parts of the climbing path. Connect the step with sisal to the metal holder and attach cap.

#### Advice:

Please note the secure assembly and mounting requires two adult persons.