

BULLSEYE™ RECHARGEABLE TIRE INFLATOR **PRO**

AS SEEN ON
TV



INFLATES TIRES
IN LESS THAN

 **2 minutes***
from 24 to 34 PSI

✓ **Powerful**
✓ **Cordless**



**BRIGHT LEDS
ILLUMINATE**



**DIGITAL PRESSURE
GAUGE**



BATTERY INDICATOR %

GREAT FOR:

- CAR TIRES
- BICYCLE TIRES
- MOTORCYCLE TIRES
- SPORTS BALLS
& MORE

BULLSEYE™ CORDLESS TIRE INFLATOR ITEM NO. 9475
DISTRIBUTED BY EMSON® NEW YORK, NY 10001 USA
©2022 EMSON® ALL RIGHTS RESERVED. MADE IN CHINA.

INSTRUCTIONS

Thank you for buying the Bullseye™ Rechargeable Tire Inflator – the cordless handheld air compressor that makes it quick and easy to inflate car tires and more! Bullseye™ Rechargeable Tire Inflator uses powerful class leading air compressor technology to pull in outside air and compress it before pumping it into the tire. It also features an auto-stop function that will automatically stop at your desired tire pressure, an independent battery level indicator screen that informs how much battery capacity is left available before needing a charge, and 3 nozzle attachments for a variety of uses in addition to several battery and power cable options.

PLEASE READ ENTIRE MANUAL BEFORE FIRST USE.

GENERAL SAFETY MEASURES AND PRECAUTIONS THAT APPLY TO THE USE OF THE BULLSEYE™ RECHARGEABLE COMPRESSOR.

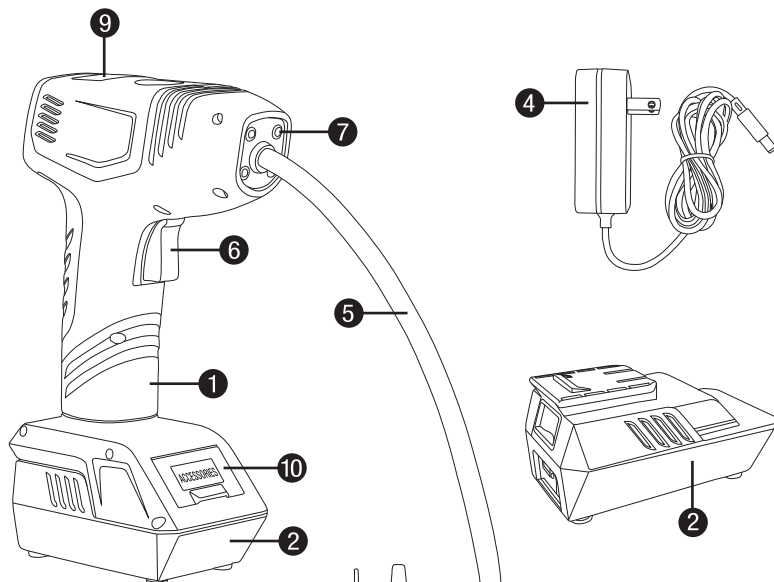
Safe operation of the air compressor requires that you read the instructions and safety precautions carefully and follow all the instructions before using the air compressor.

1. The air compressor is designed for occasional use. Inflation over a long period will overheat the air compressor and may cause damage.
2. The air compressor should not operate for more than 15 minutes at a time, after which it must be switched off and set aside to cool for at least 15 minutes before restarting. Allow the unit to cool for 15 minutes after each 15 minutes of use.
3. If the air compressor emits abnormal sounds or overheats, turn it off immediately and let it cool off for a minimum of 30 minutes.
4. Inspect air compressor and batteries before use, If cracked, broken or damaged parts are found, qualified technicians should repair damaged parts.
5. Incorrect use of the air compressor may result in personal injury and/or property damage.
6. Never expose the air compressor or battery to frost or to temperatures above 140°F (60°C). Change battery in dry conditions if possible (i.e. inside the car, garage, etc.)
7. Never use the air compressor near flammable fluids or gases. Make sure your working area is well-lit.
8. Protect yourself against electric shock. Avoid physical contact with grounded surfaces such as pipes, radiators, electric stoves, refrigerators, etc.
9. Never allow children to connect/disconnect the air compressor and never allow them to play with accessories.
10. Never allow anyone to pump air into mouth, ears, nose or any personal cavity of people or animals. The air compressor is not a toy.
11. Store air compressor in a secure location. If the air compressor is going to be unused for long periods of time, it should be stored in a dry place inaccessible to children.
12. Regularly check the charger cord. Never carry the charger by the cord and never pull the plug out of the outlet by jerking the cord. Make sure the cord is not exposed to hot objects, oil or sharp edges.

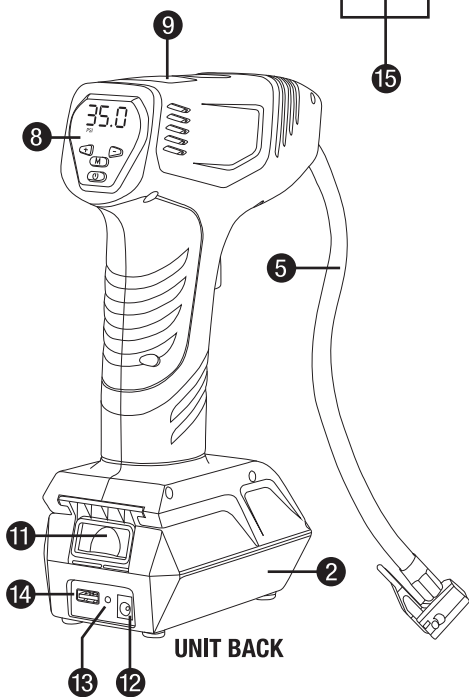
13. Keep air compressor clean to maintain maximum output and safety. Examine the plug, charger, and cable pack on a regular basis and have them repaired by qualified technicians if they are damaged.
14. Unplug the 12V car adapter from the cigarette lighter socket in your car when the air compressor is not in use.
15. Unplug the AC battery charger from the battery when the charger is not in use.
16. Never charge the battery outdoors. Do not open the battery. Protect it against impact. The battery should be stored in a dry, frost-free place.
17. The battery and charger are designed for each other. Only a Bullseye™ approved charger should be used.
18. Protect the battery against heat and fire to prevent damage or an explosion!
19. Do not place the battery on a heater and do not expose it to solar radiation for a prolonged period. Exposing the battery to temperatures above 140°F (60°C) could damage the battery. Allow the battery to cool off completely before charging.
20. Stay alert. Always pay attention to what you are doing when working with the air compressor, charger or battery.
21. **WARNING!** For your own safety, only use accessories and parts specified in these instructions or recommended for use by the manufacturer. Use of accessories and other parts that are not mentioned in these instructions may entail an increased risk for the user and the air compressor.
22. To reduce the risk of electric shock, do not immerse in water. Store indoors.
23. Risk of burning – Do not adjust the regulator to result in output greater than marked maximum pressure of attachment.
24. Do allow unit to cool down then do replace or discharge the attachments.
25. Avoid storing the battery pack inside the car if temperatures may exceed above 140°F (60°C) or drop below freezing 32°F (0°C).
26. **WARNING:** Risk of injury – Do not direct compressor air stream at body.
27. Do not overinflate.

FOR HOUSEHOLD USE ONLY SAVE THESE INSTRUCTIONS

COMPONENTS



UNIT FRONT



UNIT BACK

- ① Cordless inflator
- ② 12V 2000mAh LI battery pack
- ③ 12V DC car charger (9.8ft/3m cord)
- ④ 110/120 AC Battery Charger Cord (3.9ft/1.2m)
- ⑤ 18" Flexible Air Hose with Quick Connector
- ⑥ ON/OFF Trigger
- ⑦ LED lights (4)
- ⑧ Digital LCD display
- ⑨ Remaining Battery Power indicator (%)
- ⑩ Accessory compartment
- ⑪ Battery pack release button
- ⑫ Battery charger port
- ⑬ Battery charging indicator light
- ⑭ USB-A Auxiliary Power Port
- ⑮ 2 plastic nozzle adapters and 1 metal sports needle
- ⑯ 1 Spare Fuse (15amp)
- ⑰ Fabric carry bag

POWERING UP YOUR BULLSEYE RECHARGEABLE TIRE INFLATOR

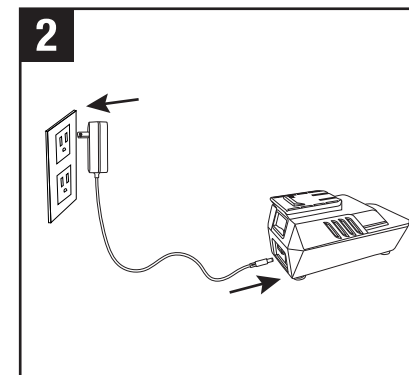
Bullseye Rechargeable Tire Inflator can be used with either the included rechargeable battery pack, 12V DC Car Adapter or the AC Battery Charging Cord.

VIA RECHARGEABLE BATTERY PACK (FOR PORTABLE USE)

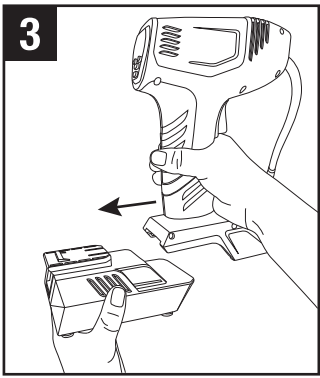
Important! Charge the battery pack at least 3 hours before first use. WHEN NOT IN USE, DO NOT STORE WITH THE BATTERY PACK ON THE UNIT.



Remove the battery pack from the bottom of the unit by pressing down on the Release Button and sliding it out as shown above.



- Connect one end of the Battery Charger into the battery pack and the other one into the wall outlet.
- The charging indicator will light up red. Once fully charged, the light will turn green. Charging time - up to 3 hours. Note: For optimal battery lifetime, we recommend not charging the battery for more than 5 hours at a time.



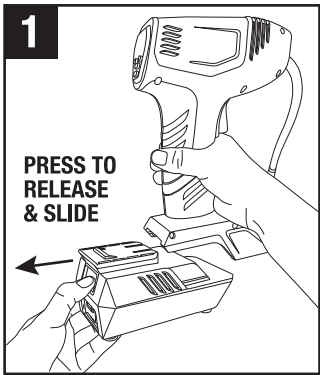
- Align the grooves on both the battery pack and the main unit. Slowly slide it in until it clicks.

PLEASE NOTE:

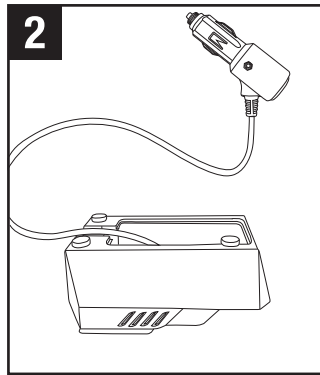
Failure to fully charge the battery will result in shorter life, and worse performance. If run time has drastically reduced over time, it is time to replace the battery. Please visit www.emsoninc.com to purchase a replacement.

- Run time will vary depending on the battery level, the pressure load during use, and the operating conditions.
- High-pressure loading, or excessive back pressure will result in a shorter run-time than indicated.
- Cold temperature conditions will reduce battery run-time. We recommend connecting the unit to the 12V DC Car Charger during cold temperatures.

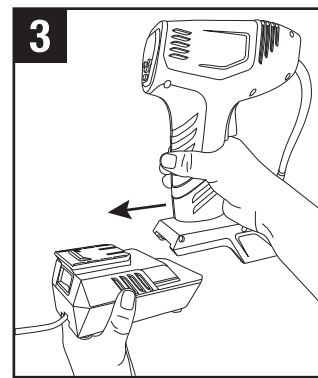
VIA THE 12V DC CAR CHARGER



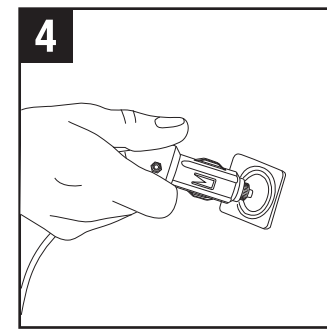
If battery pack has been previously installed, remove it from the bottom of the unit by pressing down on the Release Button and sliding it out as shown above. Set aside.



- Turn the car charger over.
- Remove the cable from the storage compartment. Pull the cable all the way out to fit through the opening on the back of the charger.



Align the grooves on both the car charger and the main unit. Slowly slide it in until it clicks.



- Connect the 12V DC Adapter into the DC socket in your car.
- When ready to use, power the car on. Note: Always operate vehicle outdoors.

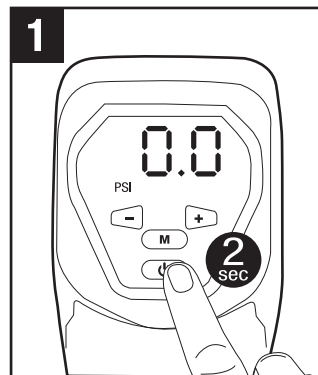
WARNING:


Use with 12V DC outlets 10 amps or higher. If unsure, check your vehicle's owner manual for your DC socket power rating.

INFLATION INSTRUCTIONS – Inflating Tires

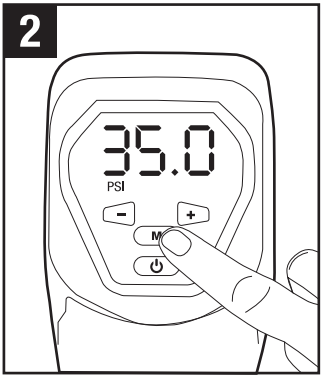
BEFORE USE: If you are using the battery pack, make sure your battery is fully charged. If you are connecting your unit via 12V DC Car adapter, make sure everything is connected correctly.

Please note: The Digital LCD Display must turn on before operating the Bullseye Rechargeable Tire Inflator. Please read and fully understand all of the instructions provided in this manual prior to operation.

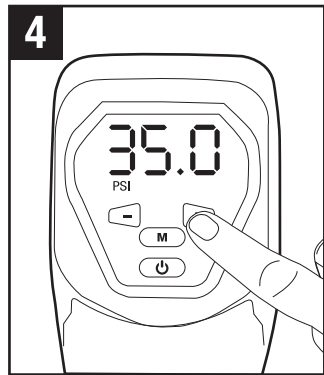


- Locate the Digital LCD Display on the back of the unit.
- Press and hold the Power button  for 2 seconds to turn on the unit. The LED lights will turn on and LCD display will light-up.

Note: After 1 minute of inactivity, the power will turn off automatically to conserve battery power. To turn the unit back on, press and hold the power button for 2 seconds.

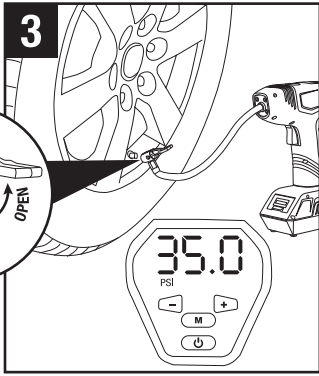


To choose and set the desired pressure format (PSI, BAR, KPA), press the **M** button continuously until the desired format is displayed.

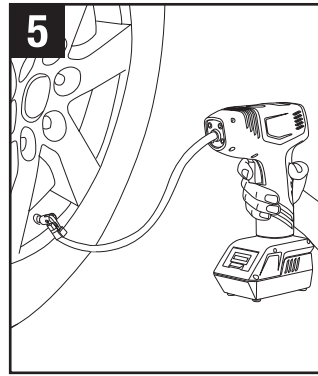


- To set the desired tire pressure, press the **-** or **+** buttons until the desired pressure level has been reached.
- Once set, wait a moment until the current tire pressure display returns.

Note: To avoid over inflation of tires, always follow the the recommended tire pressure in the vehicle's owner manual or door jamb. For bicycle tires, check markings on tire.



- Remove valve cover (if needed).
- Flip the lever of the Flexible Air Hose Quick Connector into the up/open position.
- Attach the end of the quick connector onto the tire's valve stem quickly. Lower the lever (down/closed position) to lock it in place.
- When connected, the gauge on the Digital LCD Display will show the tire's current pressure.

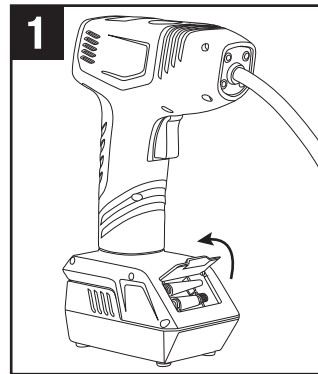


- Press the trigger to start the pump motor. Bullseye Rechargeable Tire Inflator will begin to inflate the tire to the set pressure level. It will shut off automatically when reached.
 - To shut off the pump motor at any time during the pumping cycle, press the trigger and the unit will turn off. To turn the motor back on, press the trigger again.
- Note:** After 1 minute of inactivity, the power will turn off automatically to conserve battery power. To turn the unit back on, press the ON/OFF button on the LCD screen (as per Fig. 1 on p.6).

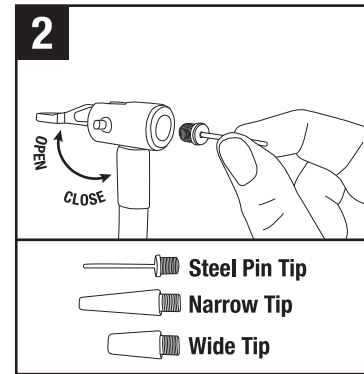
- 6** Once your tire inflation is complete and the motor is off, flip the lever of the Air Hose Quick Connector into the up/open position. Remove the Quick Connector from the tire stem valve quickly and replace the valve stem cover on the tire stem (if needed).

WARNING: Air hose connector may be hot. Use caution when removing.

INFLATION INSTRUCTIONS – Inflating with additional tips

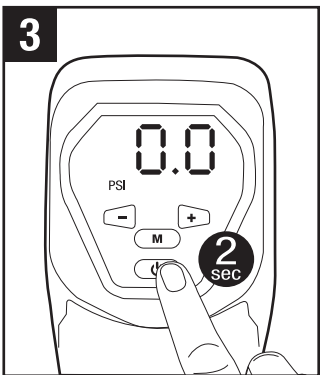



Open the Nozzle Accessory Storage compartment door and carefully remove the desired Nozzle accessory.

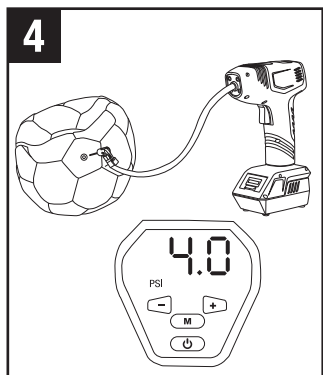


Flip the lever of the Air Hose Quick Connector into the up/open position. Slide the selected nozzle accessory into the Flexible Air Hose Quick Connector. Next, lower the lever into the down/closed position. This will create a seal and will hold the tip in place.

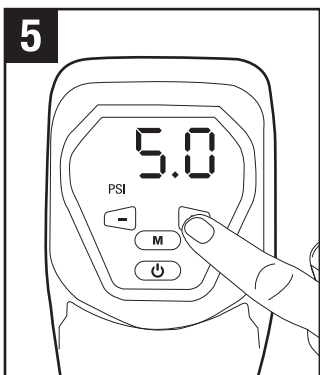
Plastic Narrow and Wide Tip - Use for inflatables & more.
Steel Pin Tip - Use for balls, sport equipment & more.





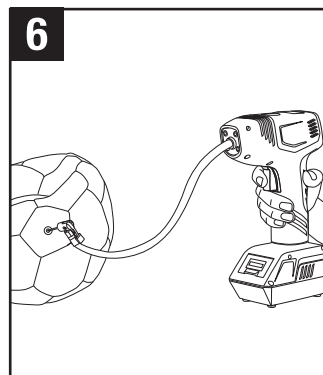
- Press and hold the Power button  for 2 seconds to turn on the unit. The LED lights will turn on and LCD display will light-up.



- Insert the nozzle tip into the object to be inflated.
- When connected, the gauge on the Digital LCD Display will show the object's current pressure.



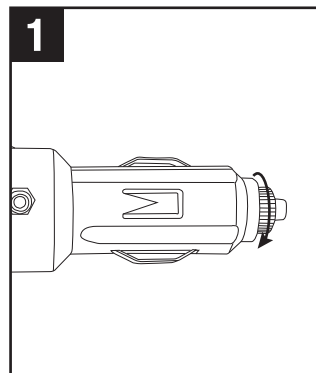
- To set the desired tire pressure, press the  or  buttons until the desired pressure level has been reached.
- Once set, wait a moment until the current tire pressure display returns.



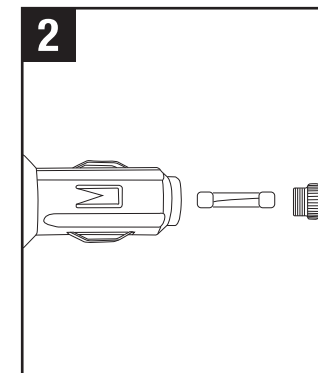
- Press the trigger to start the pump motor. Bullseye Rechargeable Tire Inflator will begin to inflate the object to the set pressure level. It will shut off automatically when reached.

- 7** • Disconnect the air hose nozzle from the inflated item.
- Flip the lever of the Air Hose Quick Connector into the up/open position.
- Remove the nozzle accessory from the Flexible Air Hose Quick Connector and return the accessory nozzle to the original location in the Accessory Storage compartment.

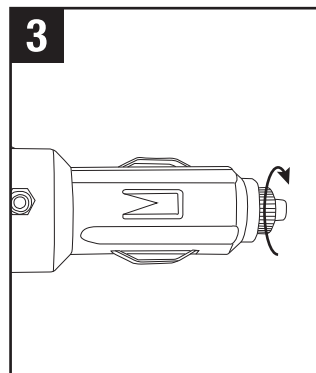
REPLACING THE FUSE (12V CAR ADAPTER)



Carefully unscrew the front washer from the 12V adapter (it is spring loaded).



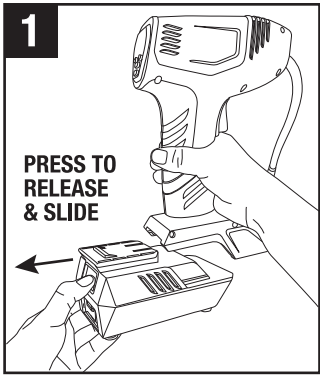
Remove and discard the old fuse. Insert the new fuse (either end).



Place the washer back on and tighten it. Do not overtighten. Do not use tools.

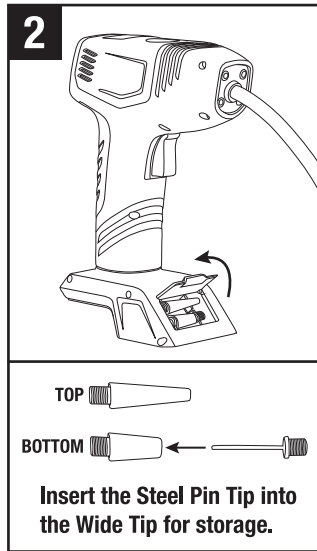
PACKING INSIDE STORAGE CASE

NOTE: DO NOT STORE WITH BATTERY PACK INSTALLED IN COMPRESSOR UNIT.

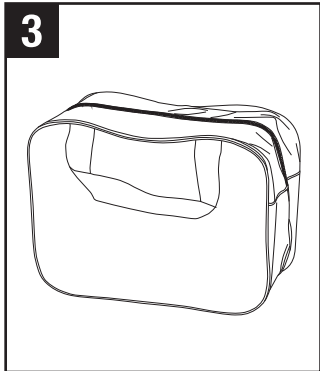


If battery pack has been previously installed, remove it from the bottom of the unit by pressing down on the Release Button and sliding it out as shown above.

Important: Bullseye™ Tire Inflator cannot be stored with the battery pack attached to the unit.



Store nozzle accessories in the nozzle accessory storage compartment. Snap into place.



Insert the Bullseye™ Tire Inflator into the storage bag, then pack the rest of the accessories next to the unit.

BATTERIES AND THE ENVIRONMENT

This product uses a Lithium Ion rechargeable battery. The battery pack is recyclable. At the end of the battery pack's useful life, the unit should be recycled or properly disposed of. Do not discard in a landfill or with household waste material. Do not incinerate. Contact your local city officials for battery disposal information. In accordance with the law, electric tools which have reached the end of their life, must be collected separately and returned to an environmentally compatible recycling facility. Battery should always be removed from the Bullseye™ Rechargeable Tire Inflator after use to prevent battery lifetime loss and for proper storage. Always store in a cool, dry place.