

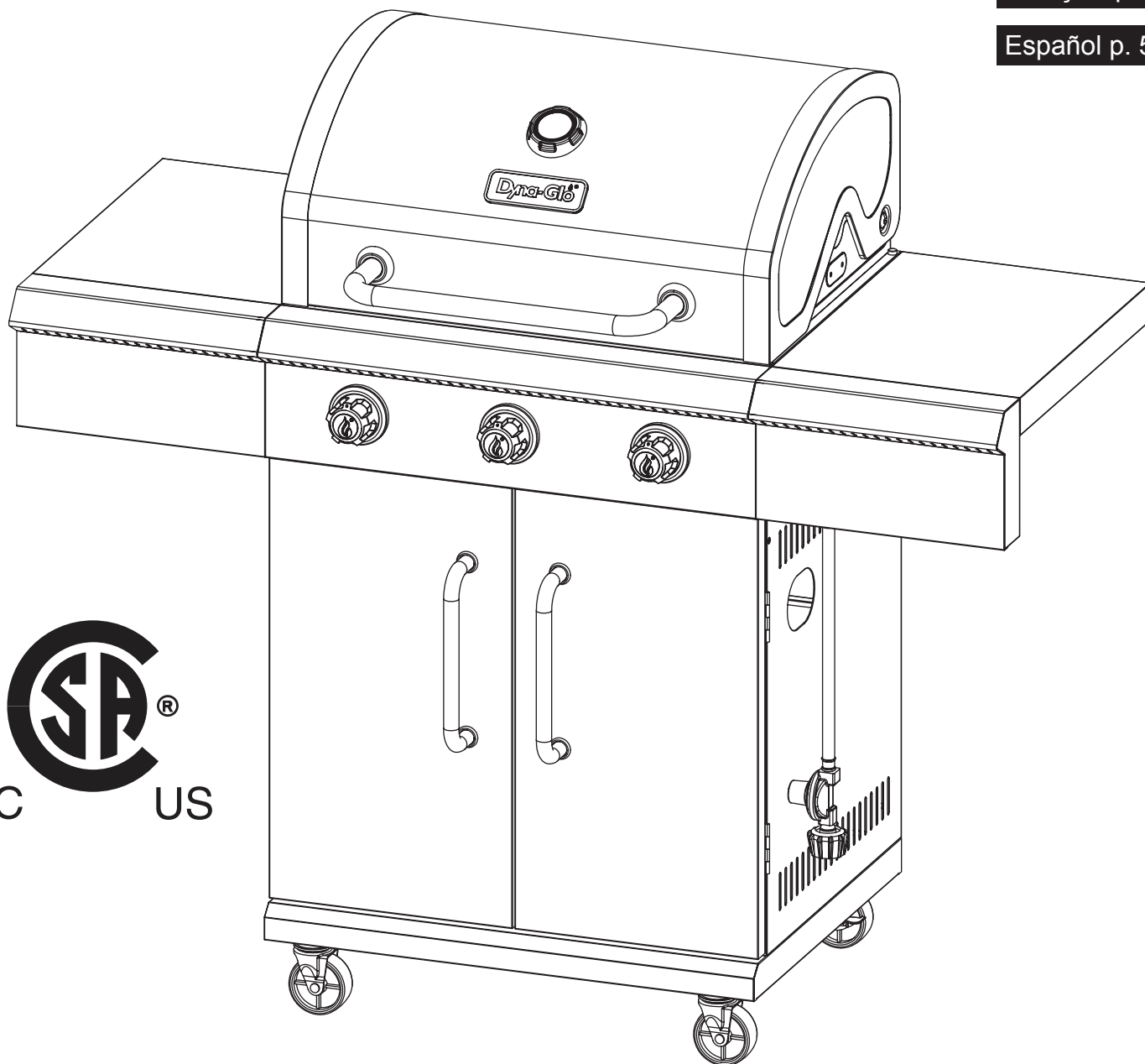
Dyna-Glo®

3 BURNER PREMIER GAS GRILL

Model #DGG424CNP/DGG424CNP-D/
DGG424RNP/DGG424RNP-D

Français p. 30

Español p. 59



ATTACH YOUR RECEIPT HERE

Serial Number _____ Purchase Date _____



Questions, problems, missing parts? Before returning to your retailer, call our customer service department at 1-877-447-4768, 8:00 a.m. – 4:30 p.m., CST, Monday – Friday or e-mail us at customerservice@ghpgroupinc.com.

TABLE OF CONTENTS

Safety Information	3
Package Contents	5
Hardware Contents	6
Preparation	6
Assembly Instructions	7
Operation Instructions	17
Care and Maintenance	22
Troubleshooting	25
Warranty	27
Replacement Parts List	28

Assembler/Installer: This manual contains important information necessary for the proper assembly and safe use of this appliance. Read and follow all warnings and instructions before assembling and using this appliance. **Leave these instructions with the consumer.**

Consumer/User: Follow all warnings and instructions when using this appliance.
Retain these instructions for future reference.

DANGER

If you smell gas:

1. Shut off gas to the appliance.
2. Extinguish any open flame.
3. Open lid.
4. If odor continues, keep away from the appliance and immediately call your local fire department.

WARNING

1. Do not store or use gasoline or other flammable liquids or vapors in the vicinity of this or any other appliance.
2. An LP (liquid propane) cylinder not connected for use shall not be stored in the vicinity of this or any other appliance.
3. This grill is for outdoor use only and shall not be used in a building, garage, under overhangs or any other enclosed area.
4. Do not leave a lit grill unattended. Keep children and pets away from the grill at all times.



SAFETY INFORMATION

Please read and understand this entire manual before attempting to assemble, operate or install the product. If you have any questions regarding the product, please call customer service at: 1-877-447-4768, 8:00 a.m. – 4:30 p.m., CST, Monday – Friday.

DANGER

- Do not use in an explosive atmosphere. Keep grill area clear and free from combustible materials, gasoline and other flammable vapors and liquids.

WARNING

This product and the fuels used to operate this product (liquid propane), and the products of combustion of such fuels, can expose you to chemicals including benzene, which is known to the State of California to cause cancer and reproductive harm.

For more information go to www.p65Warnings.ca.gov

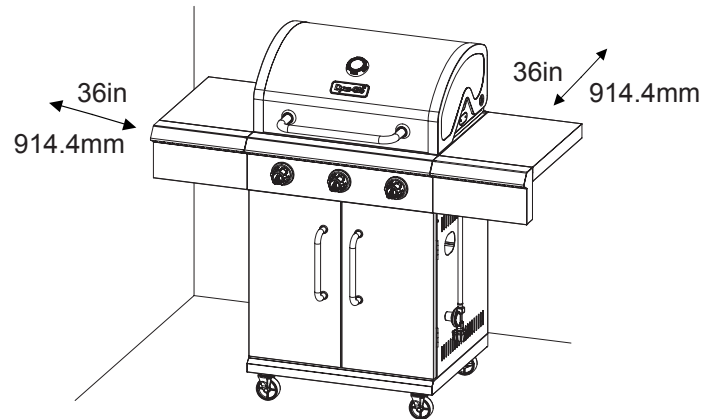
CAUTION

- Never use charcoal or lighter fluid with the grill.
- Do not use gasoline, kerosene or alcohol for lighting.
- The LP gas cylinder used with this appliance must be:
 - (a) Constructed and marked in accordance with the Specifications for LP-Gas Cylinders of the U.S. Department of Transportation (D.O.T.) or the National Standard of Canada, CAN/CSA-B339, Cylinders, Spheres and Tubes for Transportation of Dangerous Goods; and Commission, as applicable; and
 - (b) Provided with a listed overfilling prevention device.
 - (c) Provided with a cylinder connection device compatible with the connector for outdoor cooking appliances. This grill is not intended to be used in or installed on recreational vehicles and/or boats.
- Never keep a filled container in a hot car or car trunk. Heat will cause the gas pressure to increase, which may open the relief valve and allow gas to escape.
- Always open grill lid slowly and carefully as heat and steam trapped within the grill can burn you severely.

! WARNING

- Do not place the grill under overhead combustible construction or awnings. Minimum clearance from sides and back of unit to combustible construction, 36 inches (914.4mm) from sides and back.

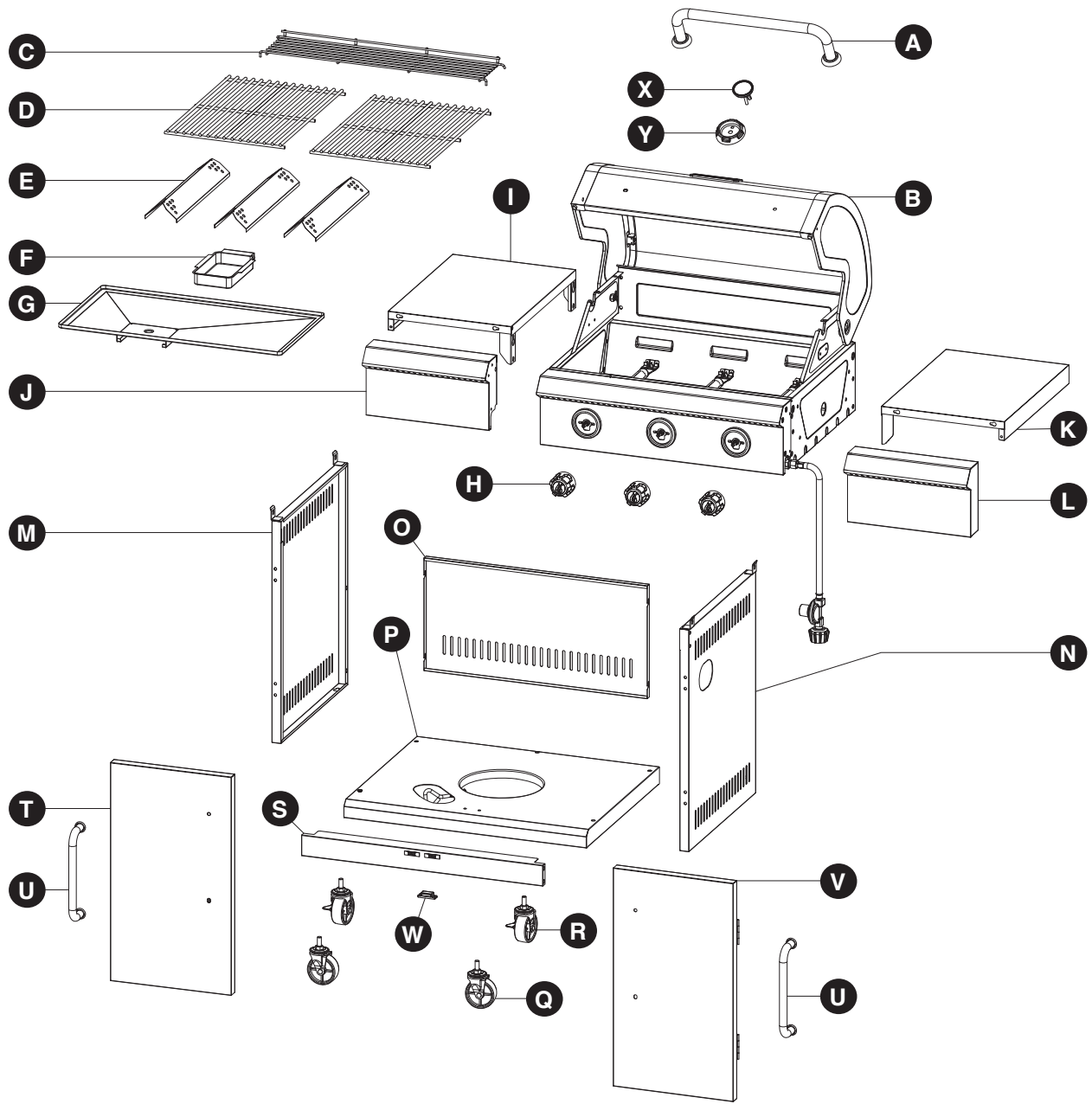
NOTE: The installation must conform with local codes or, in the absence of local codes, with either the National Fuel Gas Code, ANSI Z223.1/NFPA 54, Natural Gas and Propane Installation Code, CSA B149.1, or Propane Storage and Handling Code, B149.2.



! CAUTION

- Do not store or use gasoline or other flammable liquids or vapors in the vicinity of this or any other appliance.
- An LP cylinder not connected for use shall not be stored in the vicinity of this or any other appliance.
- This grill is for use with propane gas only (propane cylinder not included).
- Never attempt to attach this grill to the self-contained propane system of a boat, camper trailer, motor home or house.
- Do not attempt to move the grill while it is lit or when it is hot. The casters should be locked when not moving the grill.
- Do not use the grill unless it is completely assembled and all parts are securely fastened and tightened.
- Keep all combustible items and surfaces at least 36 inches (91.44 cm) away from the grill at all times.
- Do not touch metal parts of grill until it has completely cooled (about 45 minutes) to avoid burns, unless you are wearing protective gear (pot holders, gloves, BBQ mittens, etc...).
- Do not alter this grill in any manner.
- Clean and inspect the hose before each use. If there is evidence of abrasion, wear, cuts, or leaks, the hose must be replaced prior to operating the appliance. The replacement hose assembly will be that which is specified by the manufacturer.
- Move gas hoses as far away as possible from hot surfaces and dripping hot grease.
- Keep the grill's valve compartment, burners and circulating air passages clean. Inspect the grill before each use. Do not obstruct the flow of gas or ventilation air.
- The use of alcohol, prescription or non-prescription drugs may impair the operator's ability to properly assemble or safely operate the grill.
- **Do not leave a lit grill unattended. Keep children and pets away from the grill at all times.**
- Do not place this grill on any type of tabletop surface. The grill should be placed on a flat and level surface.
- Do not use the grill in high winds.

PACKAGE CONTENTS

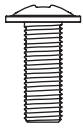


PART	DESCRIPTION	QUANTITY
A	Lid Handle	1
B	Firebox Assembly	1
C	Warming Rack	1
D	Cooking Grate	2
E	Heat Tent	3
F	Grease Cup	1
G	Grease Pan	1
H	Knob	3
I	Left Side Shelf Assembly	1
J	Left Side Shelf Front Assembly	1
K	Right Side Shelf Assembly	1
L	Right Side Shelf Front Assembly	1
M	Cart Left Side Panel Assembly	1

PART	DESCRIPTION	QUANTITY
N	Cart Right Side Panel Assembly	1
O	Cart Rear Panel	1
P	Cart Bottom Shelf Assembly	1
Q	Caster	2
R	Caster With Brake	2
S	Cart Front Brace	1
T	Left Door Assembly	1
U	Door Handle	2
V	Right Door Assembly	1
W	Magnet	1
X	Temp Gauge	1
Y	Temp Gauge Bezel	1

HARDWARE CONTENTS (shown actual size)

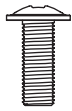
AA



M6x16
Bolt

Qty. 33

BB



M4x12
Bolt

Qty. 16

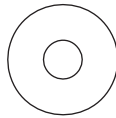
CC



M6x25
Bolt

Qty. 2

DD



M6
Plain Washer

Qty. 2

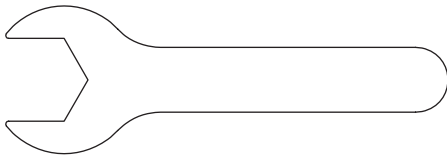
EE



M6
Spring Washer

Qty. 2

FF



Wrench

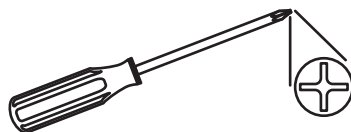
Qty. 1

PREPARATION

Before beginning assembly of product, make sure all parts are present. Compare parts with package contents list on previous page and hardware contents above. If any part is missing or damaged, do not attempt to assemble the product. Contact customer service for replacement parts.

Estimated Assembly Time: 50 minutes with 2 people.

Tools Required for Assembly and Leak Testing (not included): Phillips screwdriver, Spray bottle



⚠ CAUTION

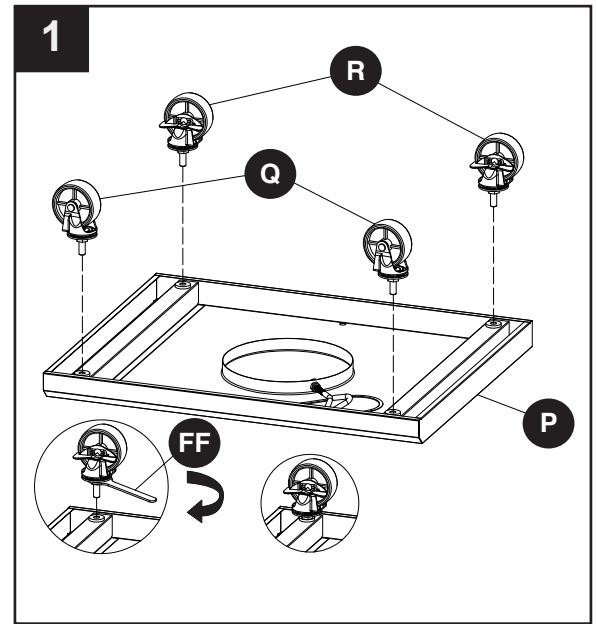
THIS UNIT IS HEAVY. Two people required for safe assembly.

Two people required for safe assembly. Some parts may contain sharp edges. Wear protective gloves if necessary. Read and follow all safety statements, warnings, assembly instructions and use and care instructions before attempting to assemble and use.

ASSEMBLY INSTRUCTIONS

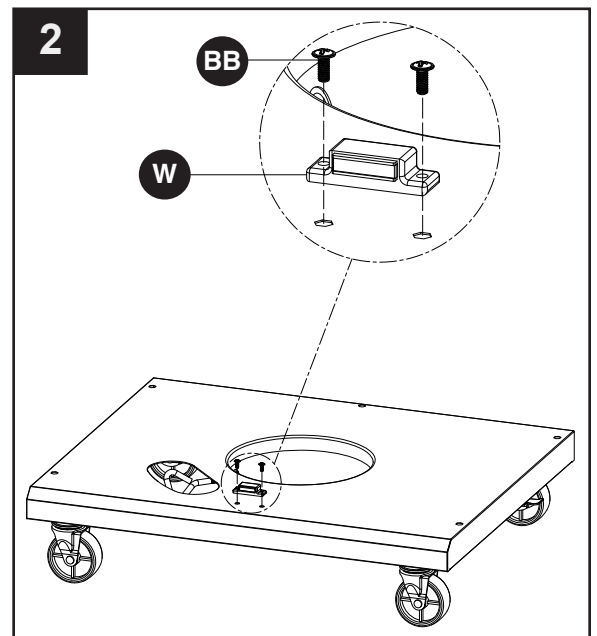
1. Attach the two casters (Q) and the two casters with brake (R) to the cart bottom shelf assembly (P) with the wrench (FF).

Hardware Used



2. Attach the magnet (W) to the cart bottom shelf assembly (P) with two M4x12 bolts (BB).

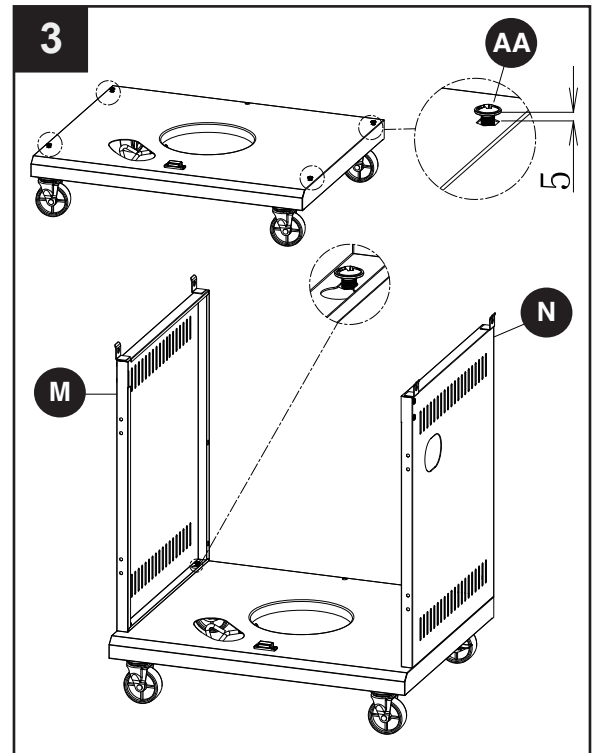
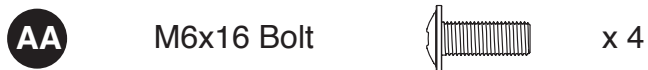
Hardware Used



ASSEMBLY INSTRUCTIONS

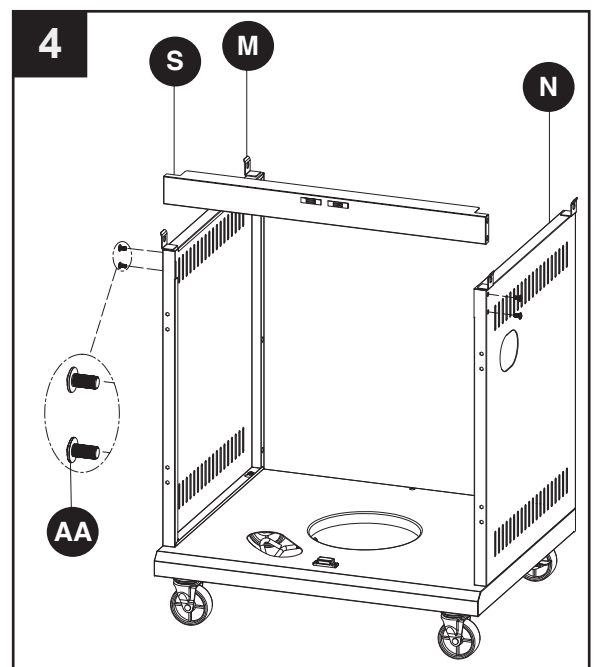
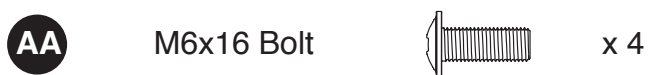
3. Pre-assemble four M6x16 bolts (AA) onto the cart bottom shelf assembly (P) and do not tighten them. Make sure to leave a 5mm gap between the bolt and the panel. Then hang the cart left side panel assembly (M) and the cart right side panel assembly (N) onto the bolts and tighten the four bolts.

Hardware Used



4. Attach the cart front brace (S) to the cart left side panel assembly (M) and the cart right side panel assembly (N) with four M6x16 bolts (AA).

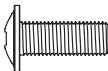
Hardware Used

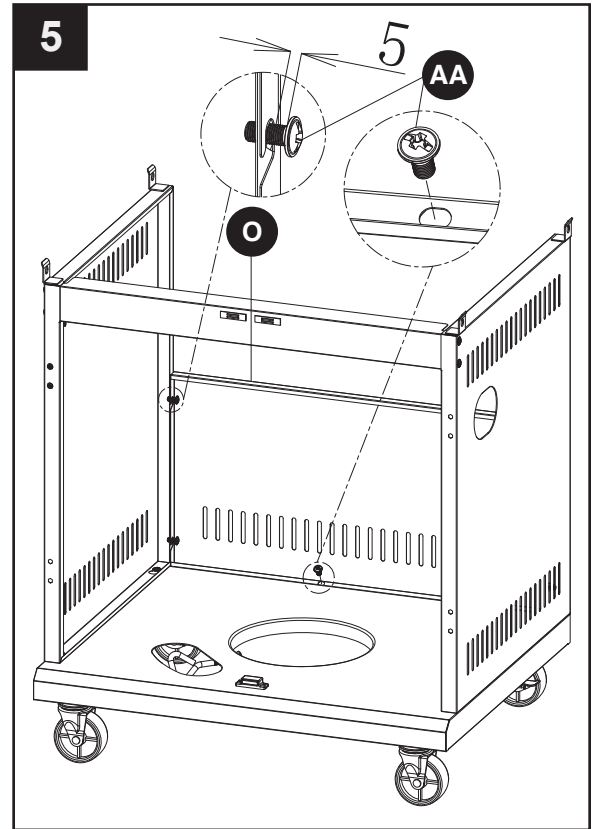


ASSEMBLY INSTRUCTIONS

5. Pre-assemble four M6x16 bolts (AA) onto the cart left side panel assembly (M) and the cart right side panel assembly (N) and do not tighten them. Make sure to leave a 5mm gap between the bolt and the panel. Then hang the cart rear panel (O) onto the bolts and tighten the four bolts. Attach the cart rear panel (O) to the cart bottom shelf assembly (P) with one M6x16 bolt (AA).

Hardware Used

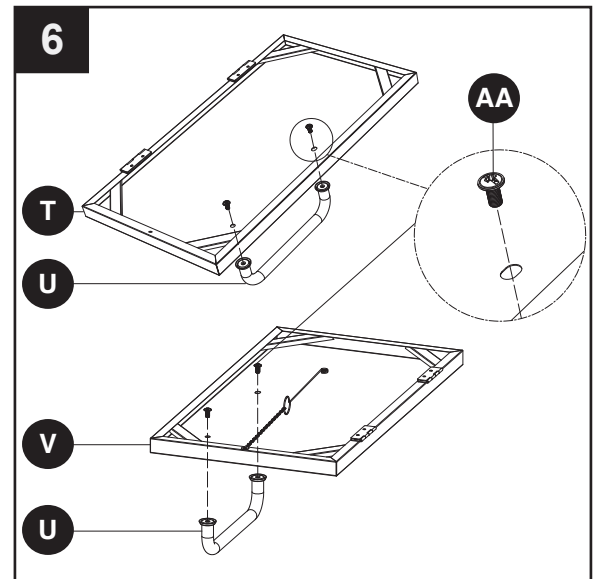
AA	M6x16 Bolt		x 5
-----------	------------	---	-----



6. Attach the door handle (U) to the left door assembly (T) and the right door assembly (V) with four M6x16 bolts (AA).

Hardware Used

AA	M6x16 Bolt		x 4
-----------	------------	---	-----

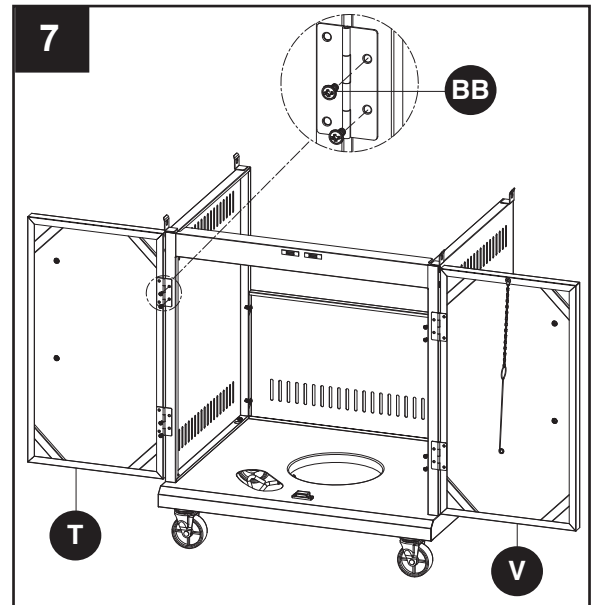


ASSEMBLY INSTRUCTIONS

7. Attach the left door assembly (T) and the right door assembly (V) to the cart left side panel assembly (M) and the cart right side panel assembly (N) with eight M4x12 bolts (BB).

Hardware Used

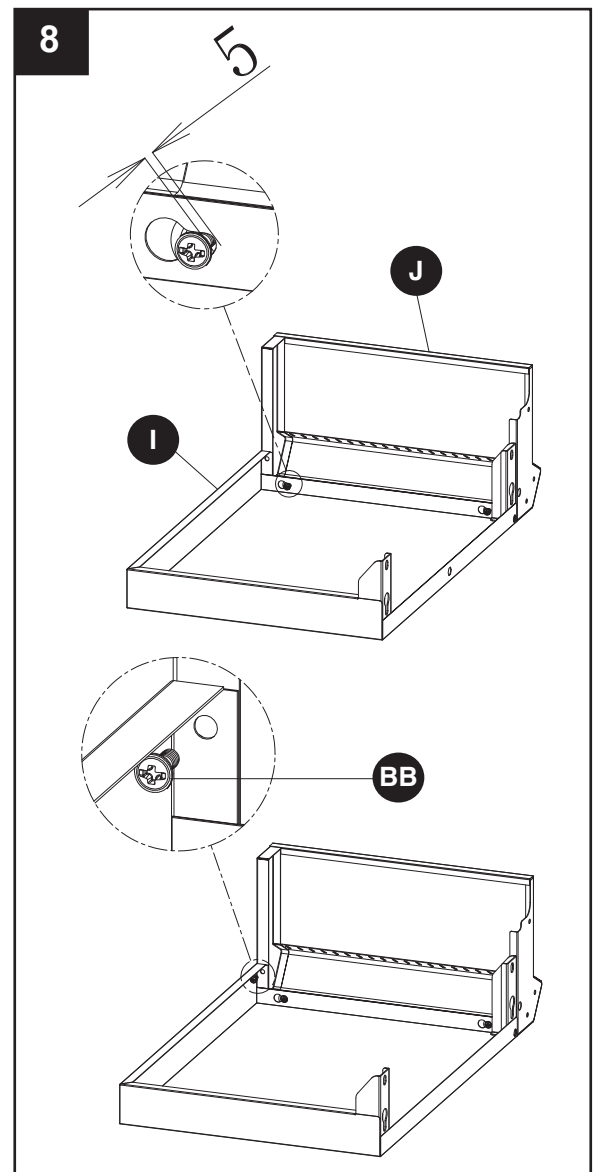
BB M4x12 Bolt  x 8



8. Pre-assemble two M4x12 bolts (BB) onto the left side shelf front assembly (J) and do not tighten them. Make sure to leave a 5mm gap between the bolt and the panel. Then hang the left side shelf assembly (I) onto the bolts and tighten the two bolts. Attach the left side shelf assembly (I) to the left side shelf front assembly (J) with one M4x12 bolt (BB).

Hardware Used

BB M4x12 Bolt  x 3

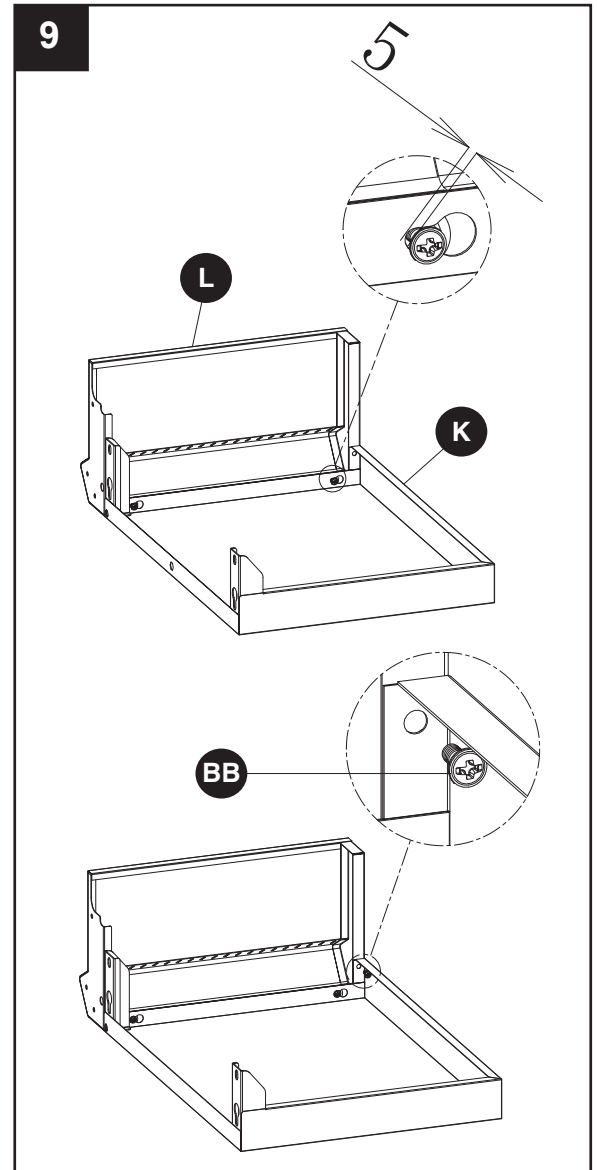


ASSEMBLY INSTRUCTIONS

9. Pre-assemble two M4x12 bolts (BB) onto the right side shelf front assembly (L) and do not tighten them. Make sure to leave a 5mm gap between the bolts and the panel. Then hang the right side shelf assembly (K) onto the bolts and tighten the two bolts. Attach the right side shelf assembly (K) to the right side shelf front assembly (L) with one M4x12 bolt (BB).




Hardware Used

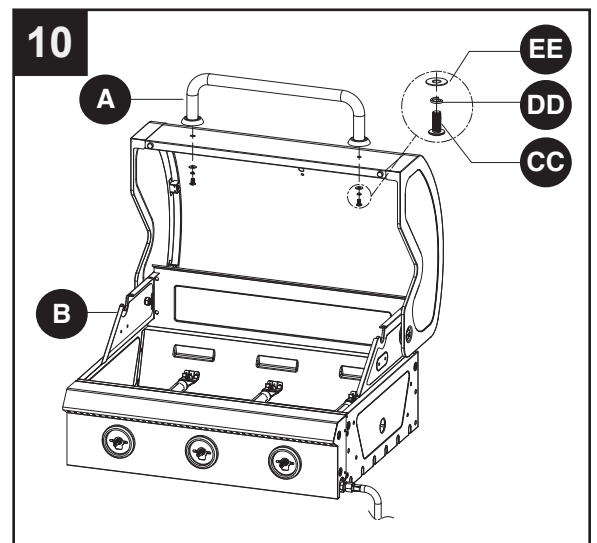
BB M4x12 Bolt  x 3



10. Attach the lid handle (A) to the firebox assembly (B) with two M6 plain washers (DD), two M6 spring washers (EE) and two M6x25 bolts (CC).

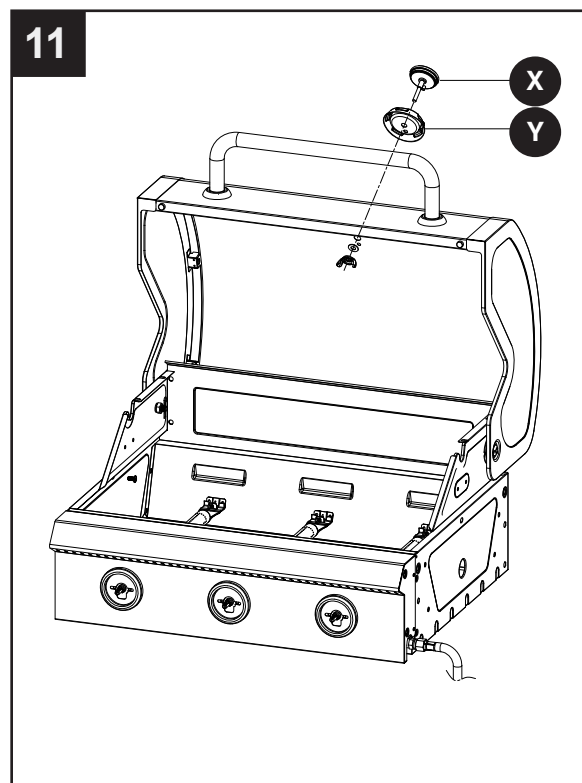
Hardware Used

CC M6x25 Bolt  x 2
DD M6 Plain Washer  x 2
EE M6 Spring Washer  x 2

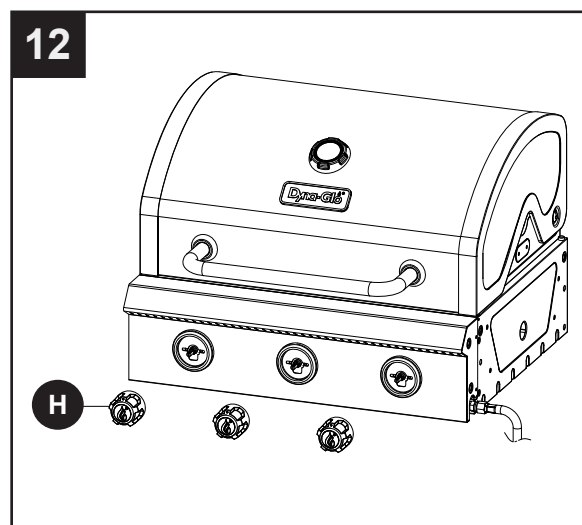


ASSEMBLY INSTRUCTIONS

11. Remove pre-assembled wing nut and plain washer from the temp gauge (X), then attach the temp gauge (X) and the temp gauge bezel (Y) to the firebox assembly (B). Secure the temp gauge (X) with the wing nut and plain washer removed earlier in this step.



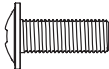
12. Attach the three knobs (H) to the valve stems.



ASSEMBLY INSTRUCTIONS

13. Carefully place the firebox assembly (B) onto the cart left side panel assembly (M) and the cart right side panel assembly (N). Adjust the firebox assembly (B) so that the holes in the firebox assembly (B) are aligned with holes in the tabs of the cart left side panel assembly (M) and the cart right side panel assembly (N). Note: Make sure the gas hose/regulator assembly is outside the cart. Secure the firebox assembly (B) with four M6x16 bolts (AA).

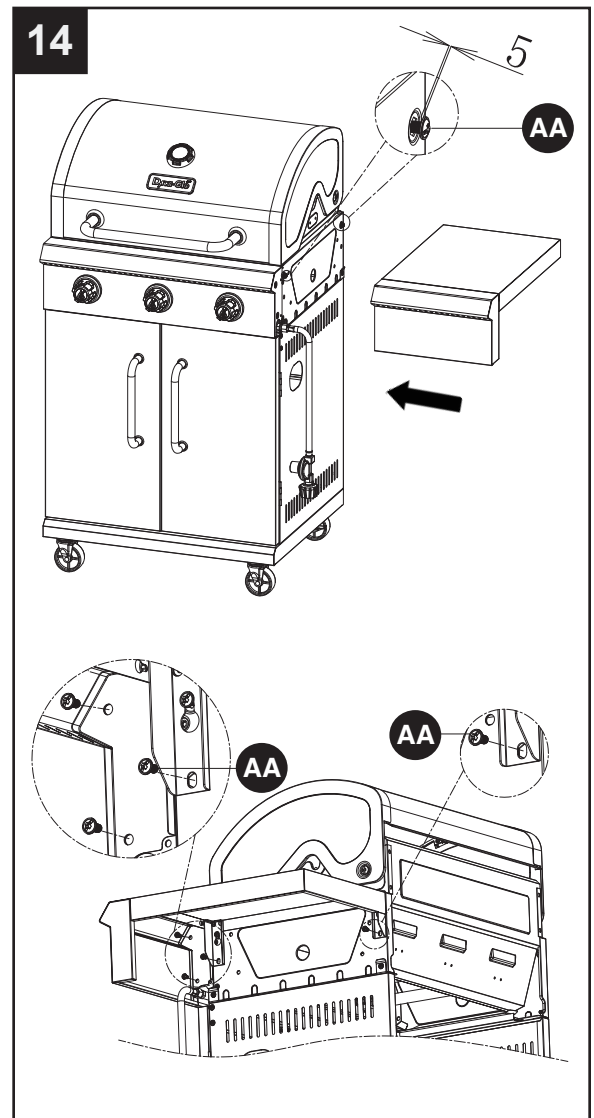
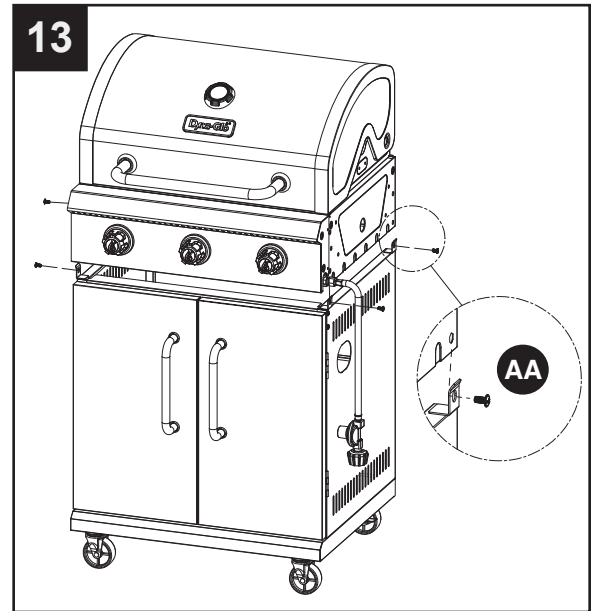
Hardware Used

AA M6x16 Bolt  x 4

14. Insert two M6x16 bolts (AA) in right side of the firebox assembly (B) as shown, leaving 5mm of threads exposed. Align key hole in the right side shelf assembly (K) with the two bolts just inserted in the firebox assembly (B), and insert four M6x16 bolts (AA) in the remaining holes in the firebox assembly (B). Adjust the firebox assembly (B) correctly, then tighten all bolts.

Hardware Used

AA M6x16 Bolt  x 6

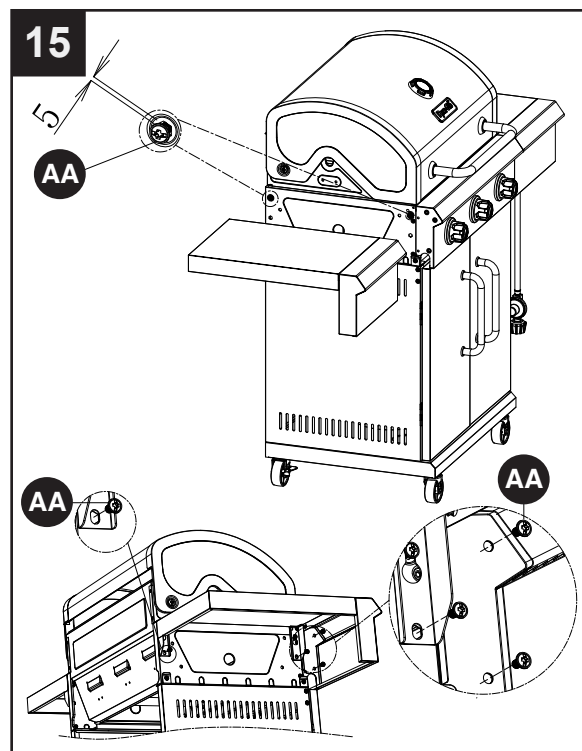


ASSEMBLY INSTRUCTIONS

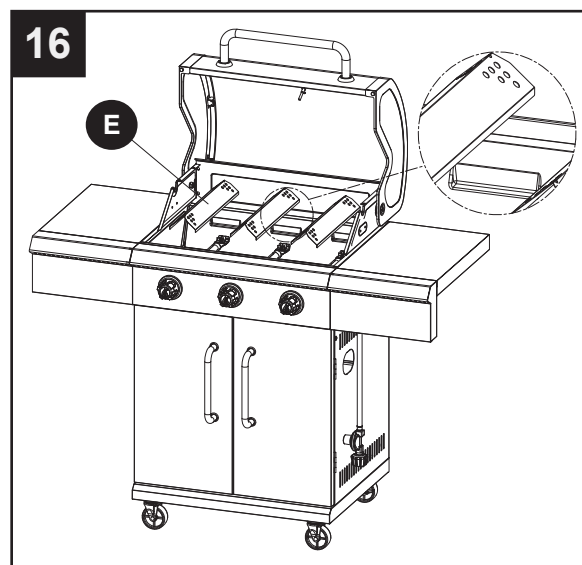
15. Insert two M6x16 bolts (AA) in left side of the firebox assembly (B) as shown, leaving 5mm of threads exposed. Align key hole in the left side shelf assembly (I) with the two bolts just inserted in the firebox assembly (B), and insert four M6x16 bolts (AA) in the remaining holes in the firebox assembly (B). Adjust the firebox assembly (B) correctly, then tighten all bolts.

Hardware Used

AA M6x16 Bolt  x 6

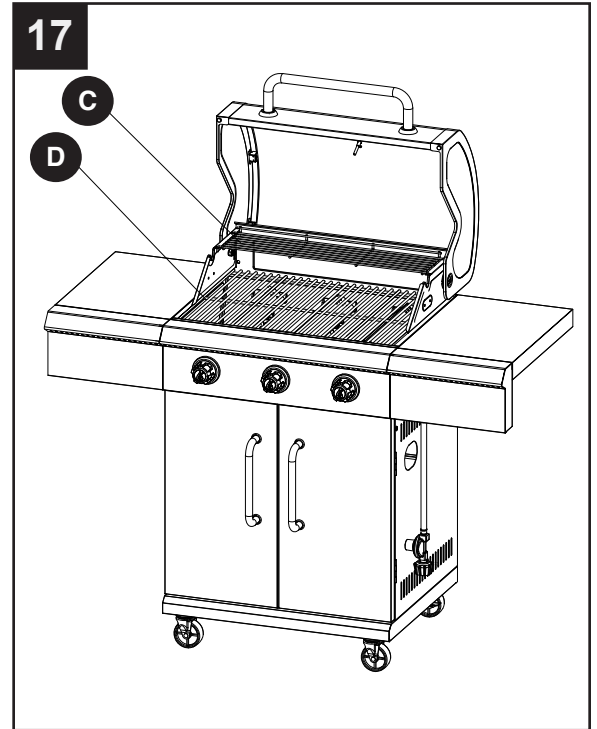


16. Place three heat tents (E) over each burner.

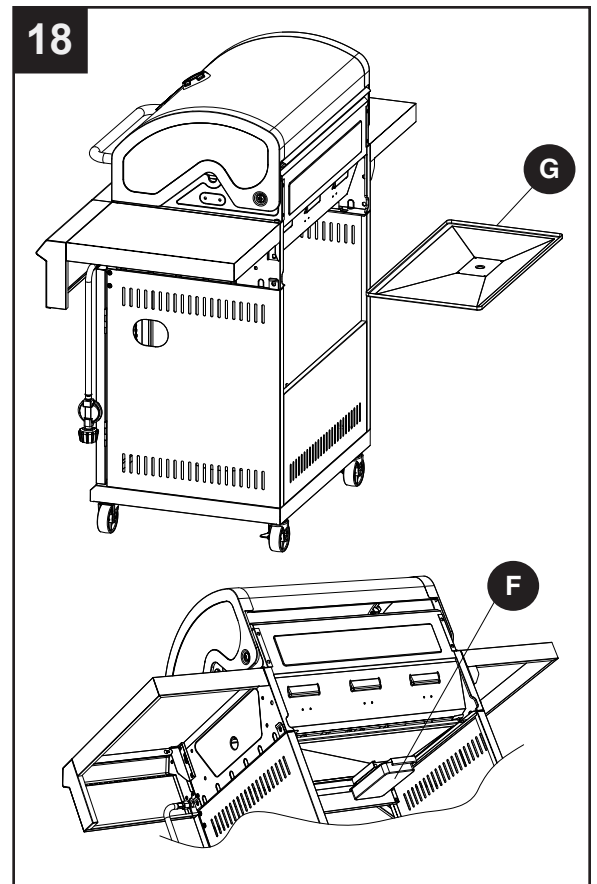


ASSEMBLY INSTRUCTIONS


17. Put two cooking grates (D) and one warming rack (C) in place.

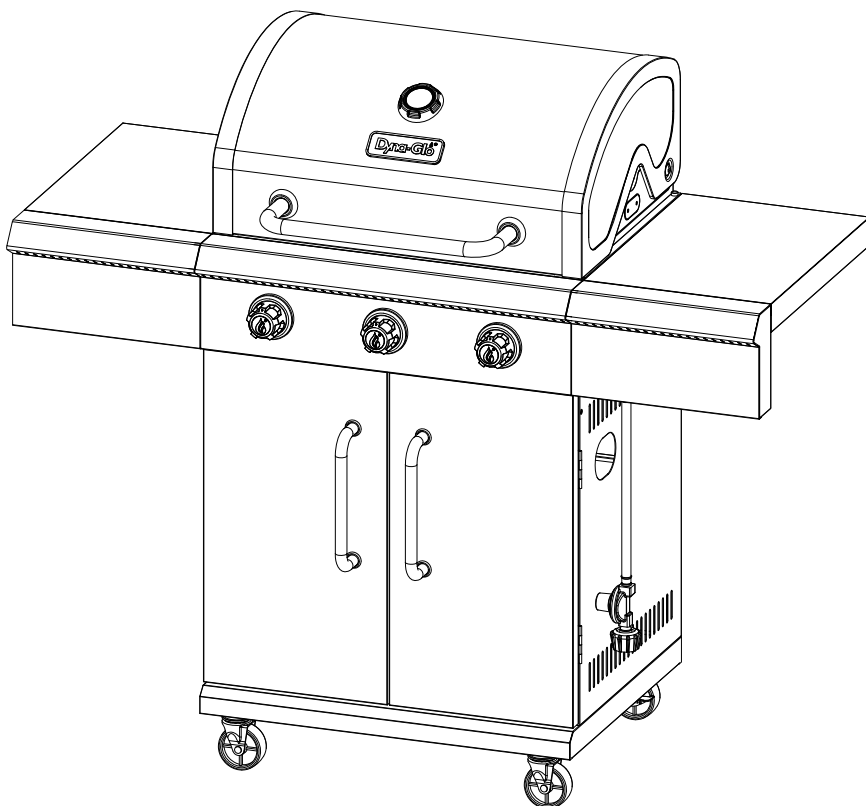


18. Put the grease pan (G) and grease cup (F) into place.

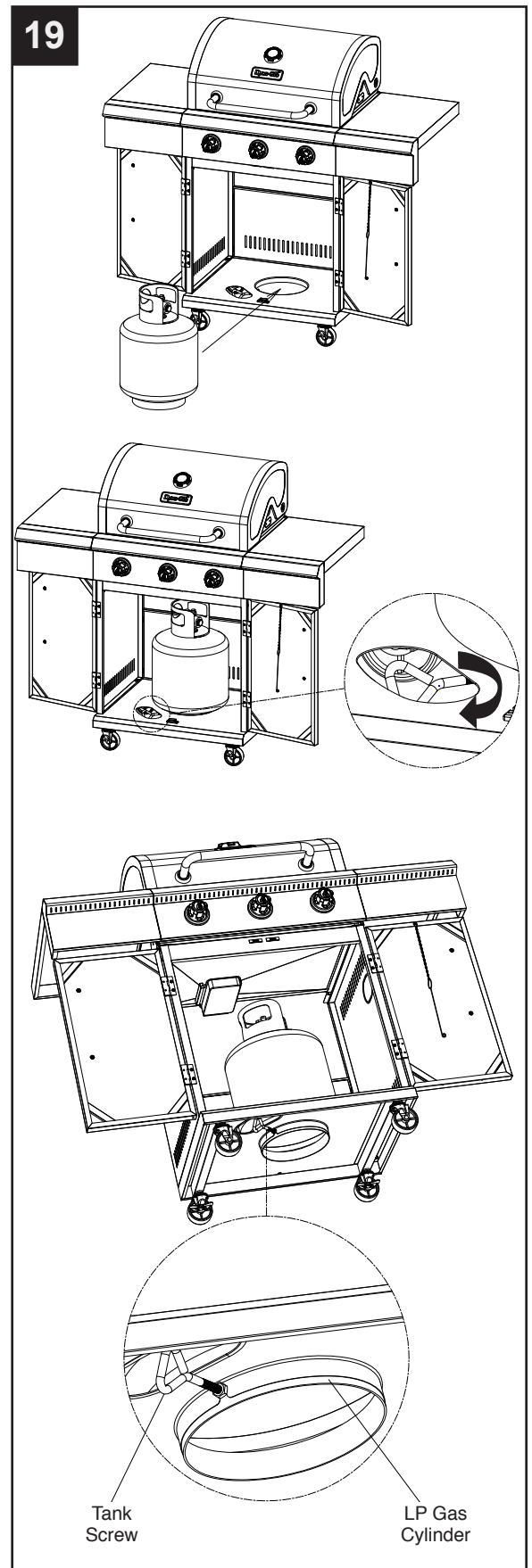


ASSEMBLY INSTRUCTIONS

19. Open the left door assembly (T) and the right door assembly (V). Place LP gas cylinder (sold separately) into the nesting hole located on the cart bottom shelf assembly (P). Rotate the LP gas cylinder until the hose/regulator coupling aligns with the threaded valve of the cylinder. Hand tighten the hose/regulator coupling to the threaded valve of the LP gas cylinder. Tighten the tank screw clockwise  in the front of the cart until the LP gas cylinder is secured in place inside the nesting hole of the cart bottom shelf assembly (P)



Fully Assembled



OPERATION INSTRUCTIONS


CHECKING FOR LEAKS

After all connections are made, check all connections and fittings on the LP gas tank valve, gas hose and regulator for leaks with a water and soap solution.

To prevent fire or explosion while testing for a leak:

- Always perform leak test prior to lighting the grill.
- Do not smoke while testing for a leak.
- Always perform leak tests outdoors in a well-ventilated area.
- Do not use any source of flame while testing for leaks.
- Do not use the grill until any and all leaks are corrected.
- If you are unable to correct a leak, disconnect the propane supply and call a gas appliance service dealer.

PERFORM LEAK TEST

- Prepare leak test solution by 50/50 ratio of liquid dish soap and water. Total solution required is approximately 2 - 3 ounces (70 - 90 ml). Put leak test solution in a spray bottle.
- Ensure all control knobs are in the  OFF position.
- Connect the gas hose to the gas supply.
- Open the LP gas tank valve.
- Spray leak test solution on all gas carrying connections and fittings. Presence of bubbles at areas of applied test solution indicates a gas leak. If leaks are detected or you smell or hear gas, shut off the gas supply valve immediately and repair or replace the defective part. Do not use the grill until all leaks are corrected.

CAUTION

Only use the regulator and hose assembly provided! If a replacement is necessary, please call our customer service center. Do not use replacement parts that are not intended for this grill.

WARNING

ALL INSTRUCTIONS AND SAFEGUARDS ON THIS PAGE MUST BE FOLLOWED TO PREVENT FIRE, DAMAGE AND/OR INJURY.

OPERATION INSTRUCTIONS

CONNECTING GAS CYLINDER

The propane gas supply cylinder to be used must be constructed and marked in accordance with the Specifications for LP Gas Cylinders of the U.S. Department of Transportation (D.O.T.) or the National Standard of Canada, CAN/CSA-B339, Cylinders, Spheres and Tubes for Transportation of Dangerous Goods; and Commission, as applicable; and provided with a listed overfilling prevention device.

Use only 20-pound cylinders (height: 18.11 inches, tank diameter: 9.84 inches, foot diameter: 8.03 inches) equipped with a cylinder connection device compatible with the connection for outdoor cooking appliances.

The cylinder must include a collar to protect the cylinder valve. The gas cylinder should not be dropped or handled roughly!

If the appliance is not in use, the gas cylinder must be disconnected. Storage of an appliance indoors is permissible ONLY if the cylinder is disconnected and removed from the appliance. Cylinders must be stored outdoors out of the reach of children and must not be stored in a building, garage or any other enclosed area. Your cylinder must never be stored where temperatures can reach over 125°F.

Place dust cap on cylinder valve outlet whenever the cylinder is not in use. Only install the type of dust cap on the cylinder valve outlet that is provided with the cylinder valve. Other types of caps or plugs may result in leakage of propane.

Before connection, be sure that there is no debris caught in the outlet of the gas cylinder, outlet of the regulator valve or in the outlet of the burner and burner ports. Connect regulator valve and hand-tighten firmly. Keep the propane cylinder valve closed and disconnect the propane cylinder from the regulator valve when the grill is not in use.

DO NOT obstruct the flow of combustion air and ventilation air to the grill. The propane cylinder must be arranged for vapor withdrawal and equipped with a listed overfilling prevention device. Please use the proper cylinder orientation to provide vapor withdrawal. NOTE: The cylinder must be fully upright for the cylinder to have vapor withdrawal only.



Correct



Wrong



Wrong

⚠ CAUTION

- a. Do not store a spare LP-gas cylinder under or near this appliance.
- b. Never fill the cylinder beyond 80 percent full.
- c. If the information in (a) and (b) is not followed exactly, a fire causing death or serious injury may occur.





OPERATION INSTRUCTIONS

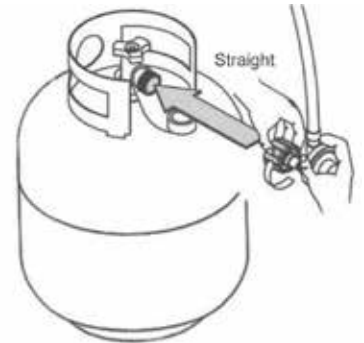
NOTE: Other cylinders may be acceptable for use with this appliance provided they are compatible with the appliance nesting hole and retention means. Refer to Step 19 of the Assembly Instructions for correct cylinder to cylinder holder connection.

⚠ WARNING

ALL INSTRUCTIONS AND SAFEGUARDS ON THIS PAGE MUST BE FOLLOWED TO PREVENT FIRE, DAMAGE AND/OR INJURY.

CONNECTING THE LP TANK

1. The knob on the LP tank must be closed. Make sure that the knob is turned  clockwise to a full stop. The cylinder supply system must be arranged for vapor withdrawal.
 2. Check that the control knob on the control unit is turned off.
 3. Remove the protective cap from the LP tank valve and coupling nut.
 4. Hold the regulator in one hand and insert the nipple into the valve outlet. Be sure the nipple is centered in the valve outlet. The coupling nut connects to the large outside threads on the valve outlet. Use care – do not cross thread the connection.
 5. Hand-tighten the coupling nut  clockwise until it comes to a full stop. Firmly tighten by hand only. Do not use tools.
- To Disconnect:** Fully close the tank valve by turning  clockwise. Turn the coupling nut  counterclockwise until the regulator assembly detaches.



⚠ WARNING

In the connection process, make sure:

- the regulator inlet connector mates with the cylinder valve outlet properly, safely and firmly, and;
- the LP gas hose does not come in contact or remain in contact with the firebox.

OPERATION INSTRUCTIONS

Lighting The Grill

Before first use:







Remove all hangings or plastic straps, if present. Before you cook on your new gas grill, it is important to clean your grill with heat. To do this, operate the grill for approximately 15 minutes with the lid closed and the control knob in the highest position. This will clean the internal parts by burning off any residue and odor from the manufacturing process.


CAUTION

If the flame extinguishes accidentally during ignition or operation, immediately **TURN OFF** the cylinder valve and then **TURN OFF** the control knob.

WARNING

Do not lean over grill when lighting. Read instructions before lighting. Do not put pots on the sear side burner. Using pots on the sear side burner will result in high carbon monoxide levels.

1. Check that the control knobs are in the  OFF position.
2. Open the tank valve fully by turning it  counter-clockwise.
3. Open the lid during the lighting process.
4. Depress and turn the control knob  counter-clockwise from the  OFF position, past the  ignite position, to the  HIGH position. You may need to repeat this several times to ignite the burner.

If ignition does not occur in 5 seconds, turn the control knob(s) to the  OFF position, wait 5 minutes, and repeat the lighting procedure.

If the burner still does not light, check that there is gas in the cylinder and follow the match lighting instructions. Check the Troubleshooting Guide on page 26 for more information.

OPERATION INSTRUCTIONS

LIGHTING THE GRILL WITH A MATCH

1. Open the lid.
2. Insert a match in the end of the match holder that is installed on the inside of the cabinet door.
3. Light the match.
4. Immediately place the lit match through the spaces in the grill gates near the ports of the burner between the heat tents as shown. Make sure the lit match is close to the burner ports.
5. Press in the control knob that operates the burner and rotate ↺ counter-clockwise to 🔥 High position and burner should light immediately.
6. Repeat 2~5 steps to lighting the remaining burners.
7. Adjust burners to desired cooking settings.

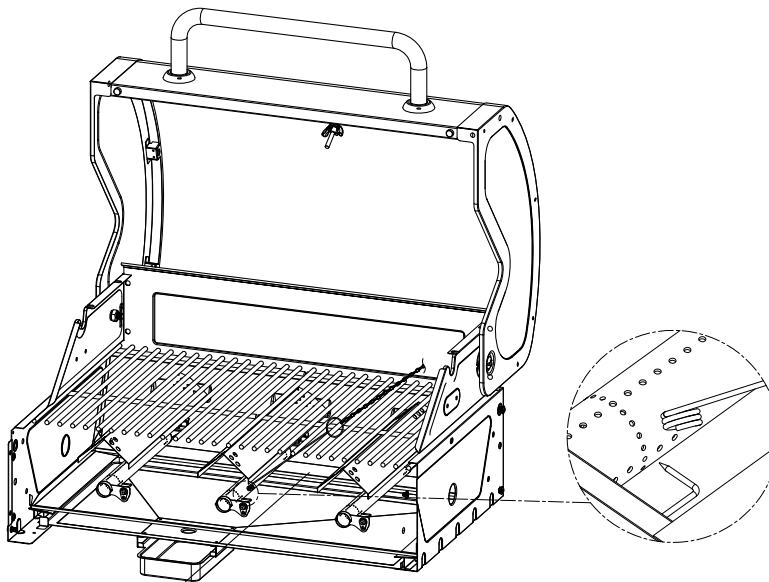
⚠ CAUTION

Make sure all burners controls are off except for the burner being lit and the burners that have been lit.

⚠ WARNING

If ignition does not occur in 5 seconds, turn the control knob(s) to “O” OFF position, wait 5 minutes, and repeat the lighting procedure.

Main Burner Match Lighting



SHUTDOWN INSTRUCTIONS

1. Turn control knobs ↻ clockwise to the ○ OFF position.
2. Close valve at tank fully by turning ↻ clockwise.
3. Close lid.

Turn off LP supply at cylinder when appliance is not in use.

CARE AND MAINTENANCE

Cooking Grates

The best time to 'burn-off' the cooking grates is after every use (approx. 15 minutes). The grill is already hot from cooking thus requiring less fuel to obtain necessary temperature for 'burn-off'.

To 'burn off' or heat clean your grill, turn the burners to highest position and run for 15 minutes with the lid closed. Then turn off the burners and use a wire brush to clean excess food residue from the grates.

The porcelain grates have an enamel finish (similar to glass) and should be handled with care not to chip.

⚠ CAUTION

Ensure the grill is cool before cleaning and conducting maintenance and with the gas supply turned off at the LP-Gas Cylinder.

Recommended Cleaning Supplies

Mild liquid dish soap, warm water, nylon cleaning pad, wire brush

DO NOT use cleaners that contain acid, mineral spirits or any abrasive substance.

Outside Surfaces

It is recommended to use only mild dish soap and hot water to clean grill and grill parts.

Rinse with warm water.

Inside Bottom Pan of Grill Body

To avoid flare-ups, the bottom pan of the cooking box should be kept clean on a regular basis.

Remove residue using a brush, scraper and/or cleaning pad. Wash with mild dish soap and warm water. Rinse with warm water. Avoid water splashing into venturi tubes of burners.

Heat Tents

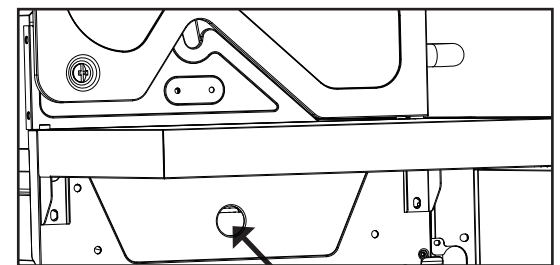
Clean residue with wire brush and wash with mild dish soap and warm water. Rinse with warm water.

Grease Cup

Empty the grease cup and clean with mild dish soap and warm water on a regular basis.

Checking The Flame

For maximum fuel efficiency and cooking performance, flame should be a blue-yellow color and be between 1- 2 inches high. To check the flame, view the flame through the holes in both sides of the firebox.



Hole for viewing the flame



CARE AND MAINTENANCE

Burner Assembly

Removing The Burner Assembly

1. Make sure all control knobs are in the OFF position, gas supply valve is closed, and the gas hose is disconnected from the gas supply.
2. Open lid and remove warming rack, cooking grates, and heat tents.
3. Remove hinge pin as illustrated in Figure 1.
4. Slide main burners out of firebox.
5. Detach ignition wire from electrode in Figure 2.

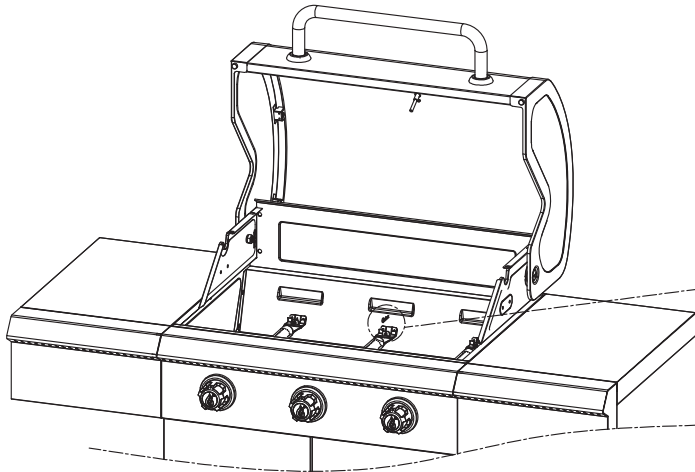
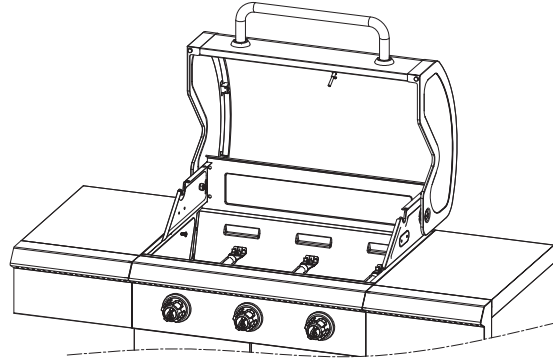
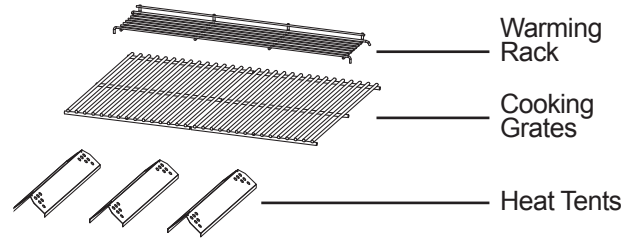


Figure 1

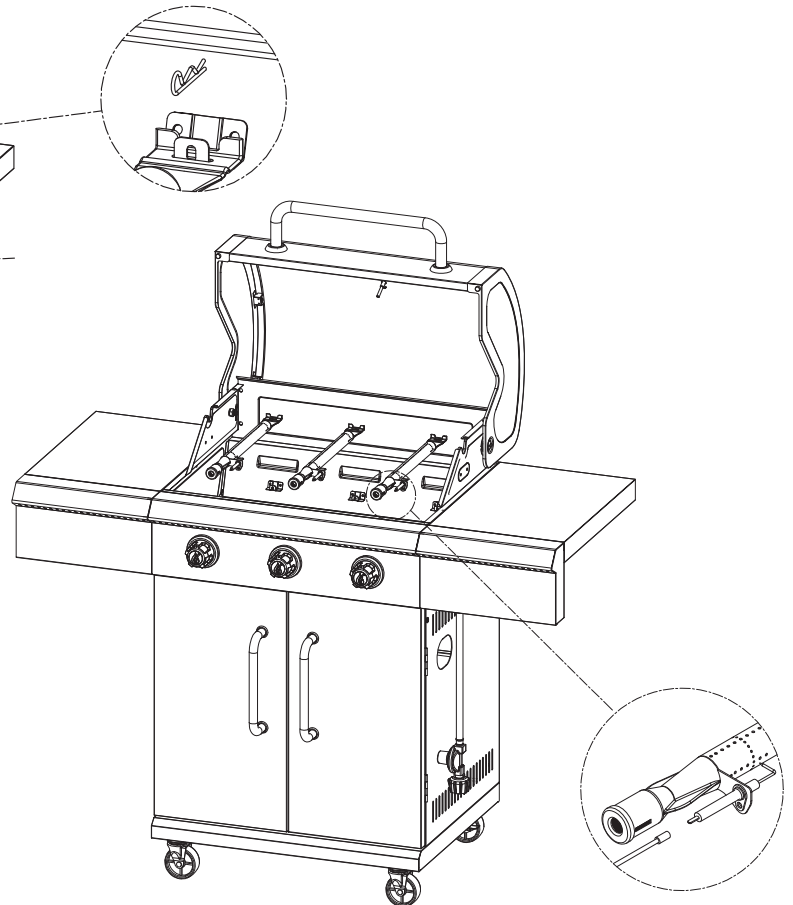


Figure 2

CARE AND MAINTENANCE

Cleaning the Burner Assembly

– Make sure the grill is cool

1. Ensure all burner ports are clear of clogs. Use of a pin or paper clip works well.
2. Ensure burner is free of any damage. If damage is found, replace with new burner.
3. Ensure the end of the burner and primary air screen are clear from insect nests, dirt or debris.

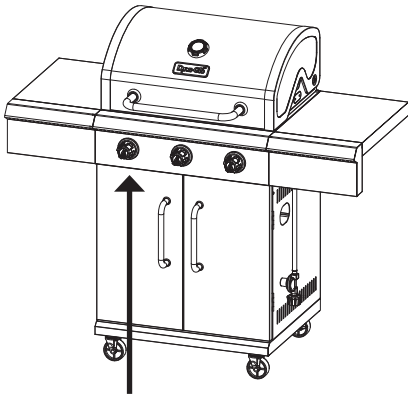
Re-installing the Burner

Ensure that gas valve orifices are correctly positioned inside burner inlet (venturi).

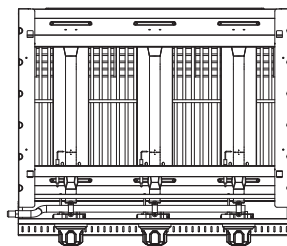
The use of a flashlight may be necessary to ensure the correct position.

It is recommended to view the correct position through the firebox vent holes as illustrated below.

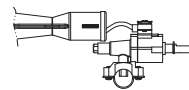
Reattach each burner with the hinge pin and reattach the ignition wire to electrode.



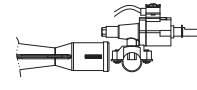
View the correct position
from the bottom of the firebox



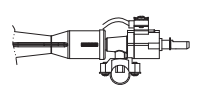
Bottom View



Incorrect



Incorrect



Correct

⚠ WARNING

If the instructions above are not followed, a fire or explosion may result, possibly causing serious bodily injury or death.

Other Care and Maintenance

It is recommended that inspection and service on this appliance be conducted annually by a qualified service person.

It is recommended that you always check that the outdoor cooking appliance area is clear and free from combustible material, gasoline and other flammable vapors and liquids before lighting.

It is recommended that you regularly check that the flow of combustion and ventilation air is not obstructed.

It is recommended that you regularly check that the ventilation openings of the grill cabinet are free and clear from debris.

It is recommended that you regularly check and clean the burner/venturi tubes for insects and insect nests. A clogged tube can lead to a fire beneath the grill.

TROUBLESHOOTING

If you have any questions regarding the product, please call customer service at 1-877-447-4768, 8:00 a.m. – 4:30 p.m., CST, Monday – Friday.

PROBLEM	POSSIBLE CAUSE	CORRECTIVE ACTION
The burner will not light using the ignitor procedure (weak or no spark being generated).	<ol style="list-style-type: none">1. The igniter electrode may be covered with grease or residue.2. The igniter electrode may have a loose or disconnected wire.3. Cracked or broken ignition electrode.	<ol style="list-style-type: none">1. Clean the ignitor electrode.2. Check the connection and reconnect any loose or disconnected wires.3. Replace ignition electrode (see Replacement Parts List).
Low Heat.	<ol style="list-style-type: none">1. Insufficient gas pressure to the unit.	<ol style="list-style-type: none">1. Call a qualified service agency to check the gas supply pressure and correct the pressure.
Excessive Flare Ups.	<ol style="list-style-type: none">1. Grease and/or residue build-up on heat tents or in firebox.2. Excessive dripping of fat or marinade from food.3. Cooking temperature too high.	<ol style="list-style-type: none">1. Clean the grill components.2. Trim the fat from meat and use non-oil based marinades.3. Lower temperature accordingly.

TROUBLESHOOTING

PROBLEM	POSSIBLE CAUSE	CORRECTIVE ACTION
<p>The burner will not light with a match.</p>	<ol style="list-style-type: none"> 1. Match not reaching burners (when holding match with hand). 2. Empty tank. 3. Poor connection between valve regulator and LP cylinder coupling. 4. Burner inlet blocked. 	<ol style="list-style-type: none"> 1. Use match holder found in cabinet door. 2. Check fuel level and refill tank if necessary. 3. Turn off grill knobs, close the LP cylinder valve at top of cylinder and check the connection between the regulator valve and cylinder coupling. Disconnect and reconnect, if necessary. 4. Clean the burner inlet (venturi) and burner as described by the Care and Maintenance section in the manual.
	<ol style="list-style-type: none"> 1. Tank valve not on or fully opened. 2. Empty tank. 3. Poor connection between valve regulator and LP cylinder coupling. 4. Burner inlet blocked. 	<ol style="list-style-type: none"> 1. Fully open tank valve by turning counterclockwise. 2. Check fuel level and replace fuel if necessary. 3. Turn off grill knobs, close the LP cylinder valve at top of cylinder and check the connection between the regulator valve and cylinder coupling. Disconnect and reconnect, if necessary. 4. Clean the burner inlet (venturi) and burner as described by the Care and Maintenance section in the manual.

LIMITED WARRANTY

1-Year Limited Warranty

This LP gas grill is warranted for 1 year (5 years on the Stainless Steel burners) against broken or damaged parts at the time of purchase. It is warranted to be free of defects. Paint is warranted to be free of defects except for rust, which may appear after repeated use.

This warranty does not cover damage or issues related to neglect, abuse, or modifications to the appliance. Repair labor is not covered.

All parts that meet the warranty requirements will be shipped at no charge via the discretion of the manufacturer (ground shipments, US Mail, or Parcel Post ONLY). Any special handling charges (i.e. Second Day, overnight, etc.) will be the responsibility of the consumer.

All warranty claims apply only to the original purchaser and require a proof of purchase verifying purchase date. Do not return parts without first obtaining a return authorization number from our customer service. This service is available by calling toll free 1-877-447-4768, 8:00 a.m. – 4:30 p.m., CST, Monday – Friday.

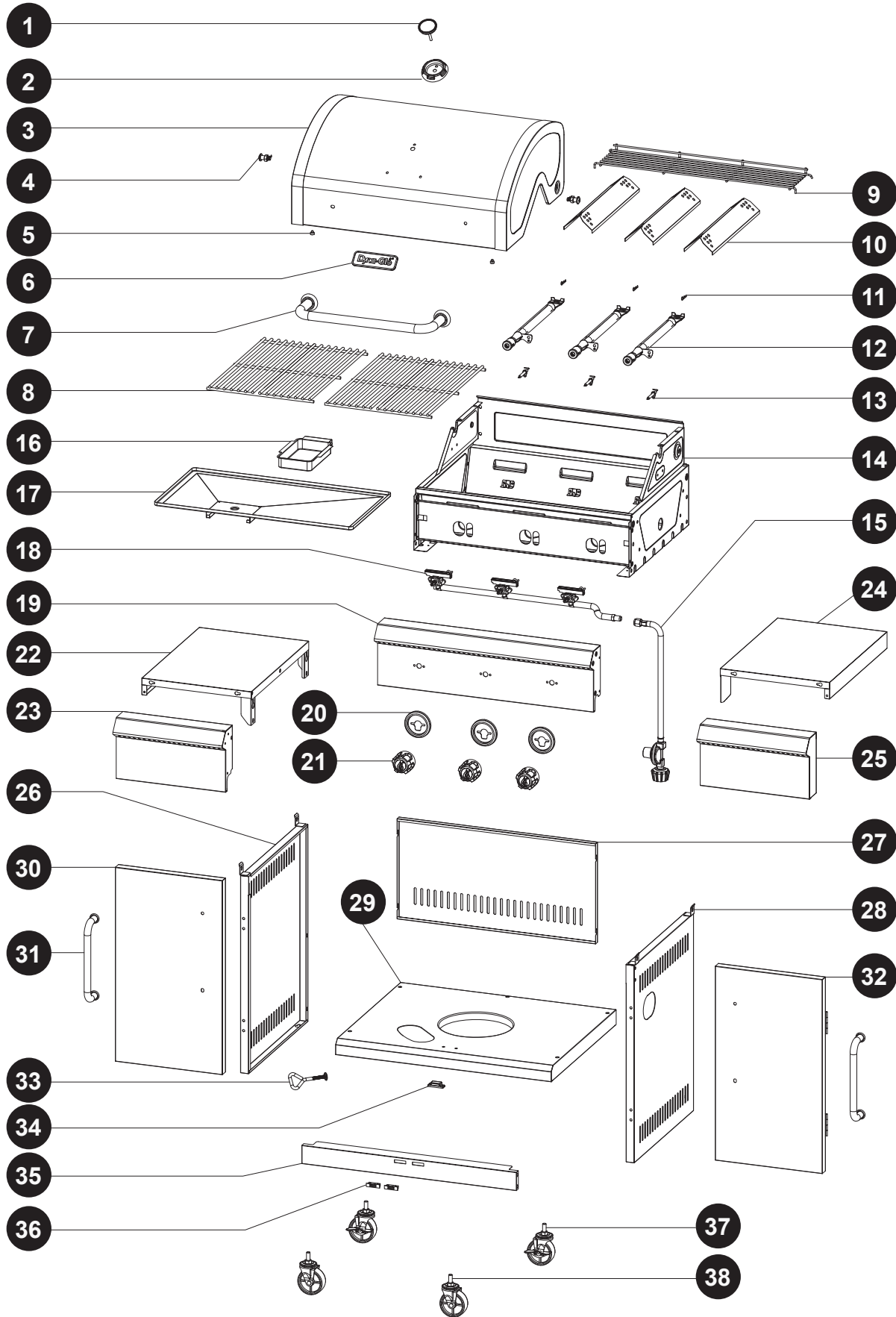
NOTICE: Some states do not allow the exclusion or limitation of incidental or consequential damages or limitations on how long an implied warranty lasts, so the above limitations or exclusions may not apply to you. This warranty gives you specific legal rights and you may also have other legal rights which may vary from state to state.

GHP Group Inc.
6440 W. Howard Street
Niles, IL, USA
60714-3302

Item Name: 3 Burner Premier Gas Grill
Model #: DGG424CNP/DGG424CNP-D/DGG424RNP/DGG424RNP-D
Main burner total rated BTU: 36,000 BTU/Hr

REPLACEMENT PARTS LIST

For replacement parts, call our customer service department at 1-877-447-4768, 8:00 a.m. – 4:30 p.m., CST, Monday – Friday.



REPLACEMENT PARTS LIST

For replacement parts, call our customer service department at 1-877-447-4768, 8:00 a.m. – 4:30 p.m., CST, Monday – Friday.

PART	DESCRIPTION	PART# Red DGG424RNP / DGG424RNP-D	PART# Black DGG424CNP / DGG424CNP-D
1	Temp gauge	70-02-264	70-02-264
2	Temp gauge bezel	70-02-265	70-02-265
3	Hood assembly	70-02-266	70-02-298
4	Hood hinge(with nut and clip)	70-01-641	70-01-641
5	Bumper	70-01-176	70-01-176
6	Badge	104-22006	104-22006
7	Lid handle	70-02-268	70-02-268
8	Cooking grate	70-02-269	70-02-269
9	Warming rack	70-02-270	70-02-270
10	Heat tent	70-02-561	70-02-561
11	R Pin	70-02-562	70-02-562
12	Main burner	70-02-273	70-02-273
13	Main burner sparker	70-02-274	70-02-274
14	Firebox assembly(with heat shield,burner support)	70-02-275	70-02-275
15	Regulator	70-01-647	70-01-647
16	Grease cup	70-01-187	70-01-187
17	Grease pan	70-02-277	70-02-277
18	Main valves and manifold assembly	70-02-278	70-02-278
19	Control panel welding	70-02-279	70-02-279
20	Knob bezel	70-01-184	70-01-184
21	Knob	70-02-280	70-02-280
22	Left side shelf assembly	70-02-281	70-02-281
23	Left side shelf front assembly	70-02-282	70-02-282
24	Right side shelf assembly	70-02-283	70-02-283
25	Right side shelf front assembly	70-02-284	70-02-284
26	Cart left side panel assembly	70-02-285	70-02-285
27	Cart rear panel	70-02-286	70-02-286
28	Cart right side panel assembly	70-02-287	70-02-287
29	Cart bottom shelf assembly	70-02-288	70-02-288
30	Left door assembly	70-02-289	70-02-299
31	Door handle	70-02-290	70-02-290
32	Right door assembly(with match holder)	70-02-291	70-02-300
33	Tank top thread assembly	70-02-563	70-02-563
34	Magnet	70-02-293	70-02-293
35	Cart front brace	70-02-294	70-02-294
36	Door upper magnet	70-02-295	70-02-295
37	Caster with break	70-05-101	70-05-101
38	Caster	70-05-100	70-05-100
	Hardware pack	70-09-542	70-09-542

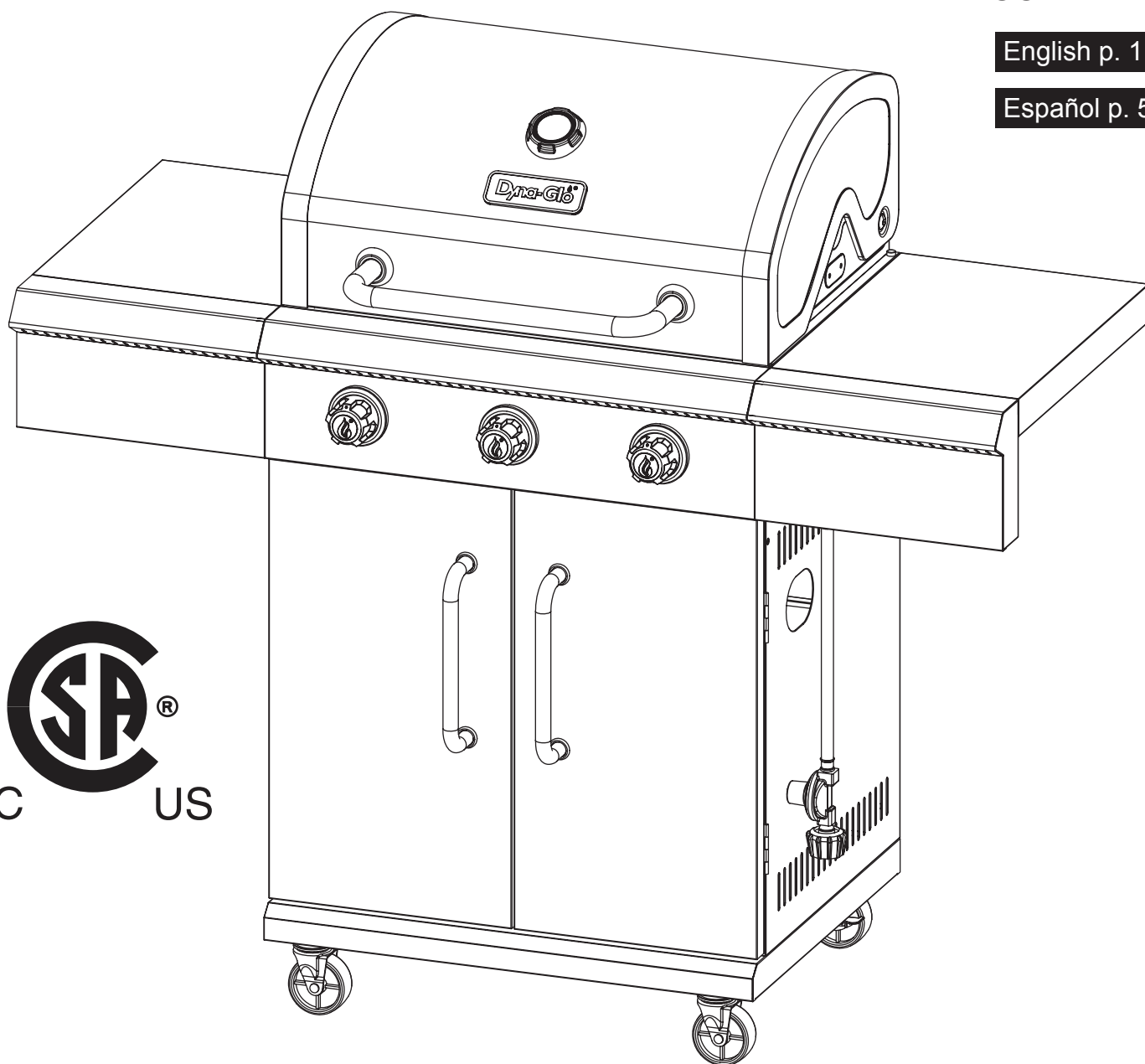
Dyna-Glo®

BARBECUE AU PROPANE DE PREMIÈRE QUALITÉ À TROIS BRÛLEURS

N° de modèle DGG424CNP/
DGG424CNP-D/DGG424RNP/
DGG424RNP-D

English p. 1

Español p. 59



AGRAFEZ VOTRE FACTURE ICI

Numéro de série _____ Date d'achat _____



Questions, problèmes, pièces manquantes? Avant de retourner l'article au détaillant, appelez notre service à la clientèle au 1 877 447-4768, entre 8 h 00 et 16 h 30 (HNC), du lundi au vendredi, ou envoyez un courriel à customerservice@ghpgroupinc.com.

TABLE DES MATIÈRES

Informations relatives à la sécurité	32
Contenu de l'emballage	34
Quincaillerie fournie	35
Préparation	35
Instructions d'assemblage	36
Instructions de fonctionnement	46
Entretien et maintenance	51
Dépannage	54
Garantie	56
Liste des pièces de rechange	57

Assembleur/installateur : Ce guide contient des informations importantes nécessaires au bon assemblage et à l'utilisation sécuritaire de cet appareil. Veuillez lire les avertissements et suivre toutes les instructions avant d'assembler et d'utiliser cet appareil. **Laissez ces instructions au consommateur.**

Consommateur/utilisateur : Veuillez respecter tous les avertissements et toutes les instructions en utilisant cet appareil.

Veillez conserver ces instructions pour consultation future.

DANGER

Si vous sentez une odeur de gaz :

- 1. Coupez l'admission de gaz de l'appareil.**
- 2. Éteignez toute flamme nue.**
- 3. Ouvrez le couvercle.**
- 4. Si l'odeur persiste, éloignez-vous de l'appareil et appelez immédiatement le service d'incendie local.**

AVERTISSEMENT

- 1. N'entreposez pas et n'utilisez pas d'essence ou d'autres liquides ou vapeurs inflammables à proximité de cet appareil ou de tout autre appareil.**
- 2. Une bouteille de propane liquide qui n'est pas raccordée en vue de son utilisation ne doit pas être entreposée dans le voisinage de cet appareil ou de tout autre appareil.**
- 3. Ce barbecue est pour utilisation extérieure uniquement et ne doit pas être utilisé dans un bâtiment, un garage ou aucun autre espace fermé ou sous une structure similaire.**
- 4. Ne laissez pas le barbecue sans surveillance pendant qu'il est allumé. Gardez les enfants et les animaux domestiques loin du barbecue en tout temps.**

INFORMATIONS RELATIVES À LA SÉCURITÉ

Veillez lire et comprendre le présent guide avant de tenter d'assembler, d'utiliser ou d'installer le produit. Si vous avez des questions concernant le produit, veuillez appeler le service à la clientèle au : 1 877 447-4768, entre 8 h 00 et 16 h 30 (HNC), du lundi au vendredi.

DANGER

- N'utilisez pas cet appareil dans une atmosphère explosive. Assurez-vous que l'espace autour du barbecue est dégagé et ne contient pas de matières inflammables, d'essence ou d'autres liquides ou vapeurs inflammables.

AVERTISSEMENT

Ce produit, de même que les combustibles utilisés pour le faire fonctionner (propane liquide) et les produits de leur combustion, peut vous exposer à des substances chimiques comme le benzène, reconnu par l'État de la Californie comme causant le cancer et des problèmes de reproduction.

Pour plus de renseignements, visitez le www.p65Warnings.ca.gov

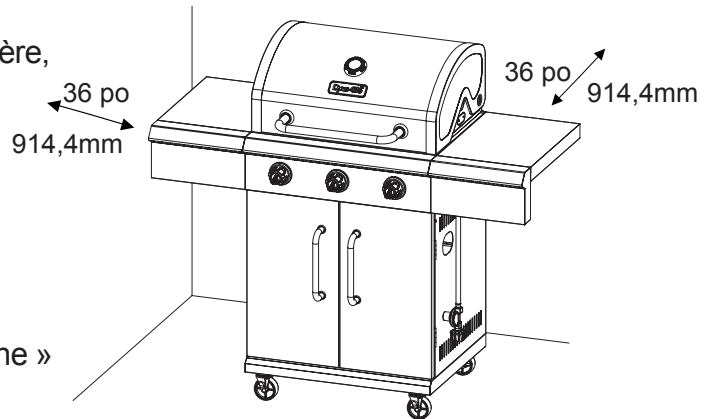
MISE EN GARDE

- N'utilisez jamais de charbon ou d'essence à briquet dans le barbecue.
- N'utilisez pas d'essence, de kérosène ou d'alcool pour allumer l'appareil.
- La bouteille de propane liquide utilisée avec cet appareil doit être :
 - (a) fabriquée et identifiée selon les spécifications sur les bouteilles de propane liquide du département des Transports des États-Unis (DOT) ou selon la norme CAN/CSA-B339 intitulée « Bouteilles à gaz cylindriques et sphériques et tubes pour le transport des marchandises dangereuses » des Normes nationales du Canada et selon la Commission, si applicables;
 - (b) fournie avec un dispositif de protection antidébordement approuvé; et
 - (c) équipée d'un système de raccordement à la bouteille qui est compatible avec le système de raccordement des appareils de cuisson d'extérieur. Ce barbecue n'est pas conçu pour une installation ou un usage à bord d'un véhicule récréatif ou d'un bateau.
- Ne gardez jamais une bouteille de propane remplie dans une voiture ou un coffre de voiture surchauffé. La chaleur fait augmenter la pression du gaz, ce qui peut ouvrir la soupape de décharge et laisser le gaz s'échapper.
- Ouvrez toujours le couvercle du barbecue lentement et prudemment, puisque la chaleur et la vapeur emprisonnées à l'intérieur pourraient vous causer de sérieuses brûlures.

! AVERTISSEMENT

- Ne placez pas le barbecue sous des constructions inflammables ou des auvents. Le dégagement minimum entre l'appareil, sur les côtés et à l'arrière, et les constructions inflammables est de 36 po (914,4 mm).

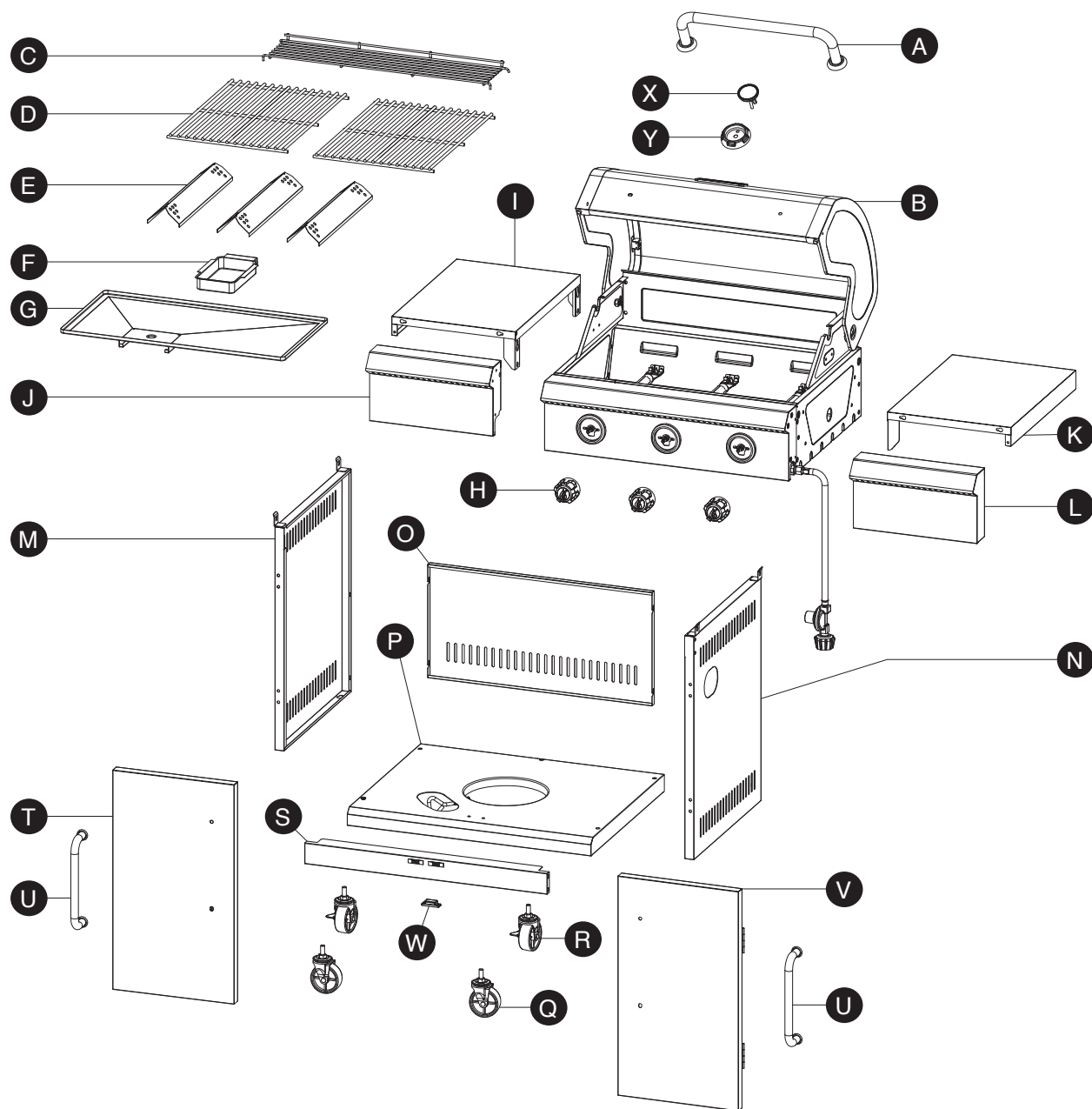
REMARQUE : L'installation doit être conforme aux codes locaux ou, en l'absence de codes locaux, au code ANSI Z223.1/NFPA 54 intitulé « National Fuel Gas Code » (code national des gaz combustibles), au code CSA B149.1 intitulé « Code d'installation du gaz naturel et du propane » ou au code CSA B149.2 intitulé « Code sur le stockage et la manipulation du propane ».



! MISE EN GARDE

- N'entreposez pas et n'utilisez pas d'essence ou d'autres liquides ou vapeurs inflammables à proximité de cet appareil ou de tout autre appareil.
- Une bouteille de propane liquide qui n'est pas raccordée en vue d'être utilisée ne doit pas être entreposée au côté de cet appareil ou de tout autre appareil.
- Ce barbecue est conçu pour être utilisé uniquement avec du propane (bouteille de propane non comprise).
- N'essayez jamais de fixer ce barbecue au système de propane autonome d'un bateau, d'une caravane, d'une autocaravane ou d'une maison.
- N'essayez pas de déplacer le barbecue pendant qu'il est chaud ou allumé. Les roulettes doivent être verrouillées lorsque vous ne déplacez pas le barbecue.
- N'utilisez pas le barbecue avant qu'il soit complètement assemblé et que toutes ses pièces soient fixées et serrées de façon sécuritaire.
- Gardez tout élément ou toute surface inflammable à au moins 36 po (91,44 cm) du barbecue en tout temps.
- Ne touchez pas les pièces en métal du barbecue avant qu'il n'ait complètement refroidi (après environ 45 minutes) afin d'éviter les brûlures, à moins que vous ne portiez une protection (poignées, gants, mitaines de barbecue, etc.).
- Ne modifiez pas le barbecue de quelque manière que ce soit.
- Nettoyez et inspectez le tuyau avant chaque utilisation. S'il y a des signes de dégradation, d'usure, de coupure ou de fuite, le tuyau doit être changé avant la prochaine utilisation de l'appareil. Le tuyau de rechange doit être celui précisé par le fabricant.
- Placez les tuyaux de propane le plus loin possible des surfaces chaudes ou des gouttes de graisse chaude.
- Gardez le compartiment de la vanne, les brûleurs et les conduits d'air du barbecue propres. Inspectez le barbecue avant chaque utilisation. N'obstruez pas le débit de gaz et l'entrée d'air.
- La consommation d'alcool et de médicaments prescrits ou en vente libre peut altérer la capacité de l'utilisateur à assembler correctement le barbecue et à l'utiliser de manière sécuritaire.
- **Ne laissez pas le barbecue sans surveillance pendant qu'il est allumé. Gardez les enfants et les animaux domestiques loin du barbecue en tout temps.**
- Ne placez pas ce barbecue sur une table, quelle qu'elle soit. Le barbecue doit être placé sur une surface plane et nivelée.
- N'utilisez pas le barbecue lorsqu'il y a de grands vents.

CONTENU DE L'EMBALLAGE

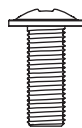


PIÈCE	DESCRIPTION	QUANTITÉ
A	Poignée du couvercle	1
B	Chambre de combustion	1
C	Grille d'attente	1
D	Grille de cuisson	2
E	Plaque de rayonnement	3
F	Récupérateur de graisse	1
G	Plateau à graisse	1
H	Bouton	3
I	Tablette latérale gauche	1
J	Tablette avant latérale gauche	1
K	Tablette latérale droite	1
L	Tablette avant latérale droite	1
M	Panneau gauche du chariot	1

PIÈCE	DESCRIPTION	QUANTITÉ
N	Panneau droit du chariot	1
O	Panneau arrière du chariot	1
P	Tablette inférieure du chariot	1
Q	Roulette	2
R	Roulette avec frein	2
S	Support avant du chariot	1
T	Porte gauche	1
U	Poignée de porte	2
V	Porte droite	1
W	Aimant	1
X	Jauge de température	1
Y	Collerette de la jauge de température	1

QUINCAILLERIE FOURNIE (taille réelle illustrée)

AA



Boulon
M6 x 16 mm

Qté 33

BB



Boulon
M4 x 12 mm

Qté 16

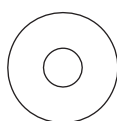
CC



Boulon
M6 x 25 mm

Qté 2

DD



Rondelle
plate M6

Qté 2

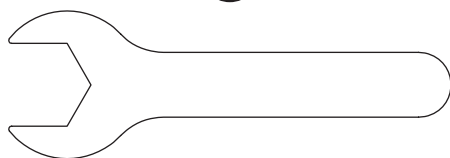
EE



Rondelle
élastique M6

Qté 2

FF



Clé

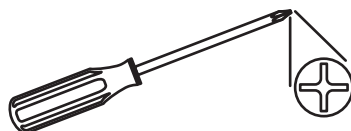
Qté 1

PRÉPARATION

Avant de commencer l'assemblage du produit, assurez-vous d'avoir toutes les pièces. Comparez les pièces à la liste de contenu de l'emballage et de quincaillerie à la page précédente. Si des pièces sont manquantes ou défectueuses, n'essayez pas d'assembler le produit. Veuillez communiquer avec le service à la clientèle afin d'obtenir des pièces de rechange.

Estimation du temps d'assemblage : 50 minutes, à deux personnes.

Outils nécessaires pour l'assemblage et l'essai d'étanchéité (non compris) : Tournevis cruciforme, flacon pulvérisateur.



⚠ MISE EN GARDE

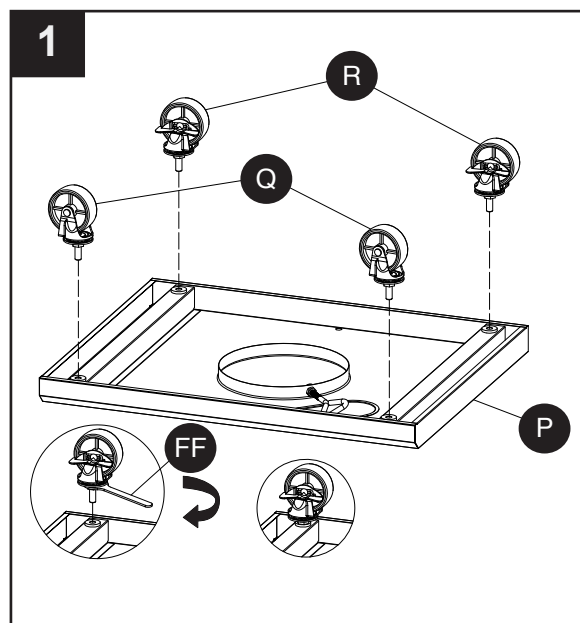
CET APPAREIL EST LOURD. Deux personnes sont requises pour assembler cet appareil en toute sécurité.

Deux personnes sont requises pour assembler cet appareil en toute sécurité. Certaines pièces peuvent avoir des bords tranchants. Portez des gants de protection si nécessaire. Veuillez lire et respecter les avis de sécurité, les avertissements ainsi que les instructions d'assemblage, d'utilisation et d'entretien avant d'assembler et de mettre en marche l'appareil.

INSTRUCTIONS D'ASSEMBLAGE

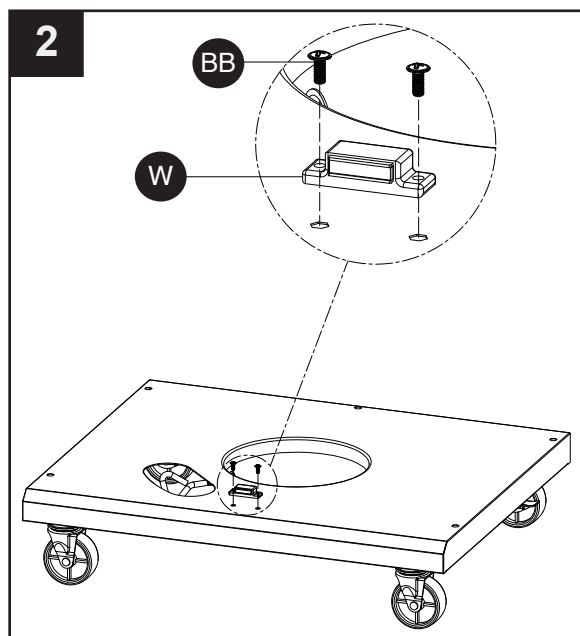
1. Fixez les deux roulettes (Q) et les deux roulettes avec freins (R) à la tablette inférieure du chariot (P) avec la clé (FF).

Matériel utilisé



2. Fixez l'aimant (W) à la tablette inférieure du chariot (P) avec deux boulons M4 x 12 mm (BB).

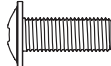
Matériel utilisé

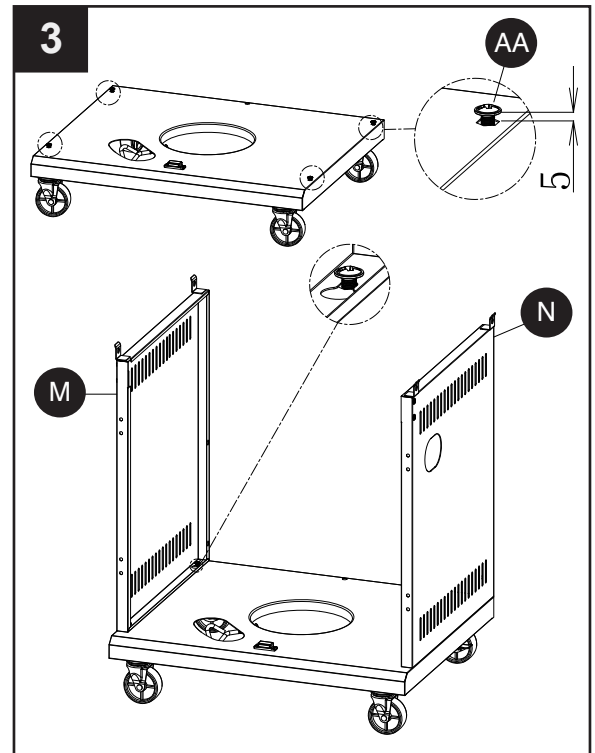


INSTRUCTIONS D'ASSEMBLAGE

3. Placez quatre boulons M6 x 16 mm (AA) sur la tablette inférieure du chariot (P) sans les serrer. Assurez-vous de laisser un espace de 5 mm entre les boulons et le panneau. Ensuite, accrochez le panneau gauche (M) et le panneau droit (N) du chariot sur les boulons puis serrez les quatre boulons.

Matériel utilisé

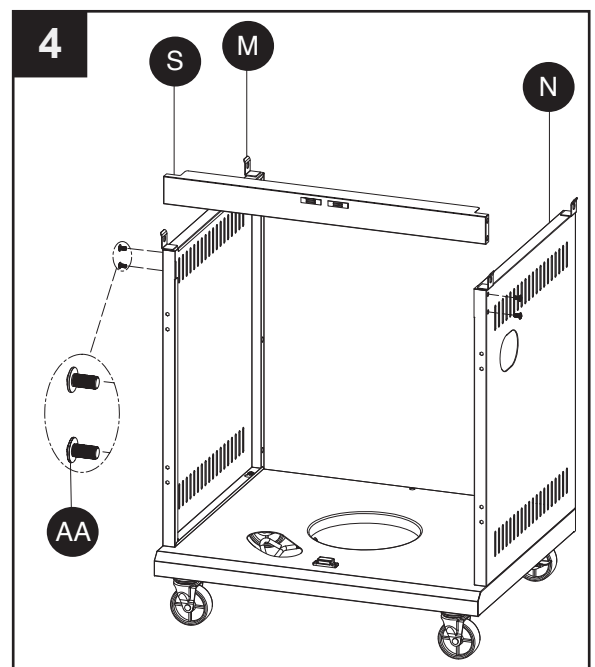
AA Boulon M6 x 16 mm  x 4



4. Fixez le support avant du chariot (S) au panneau gauche (M) et au panneau droit (N) du chariot avec quatre boulons M6 x 16 mm (AA).

Matériel utilisé

AA Boulon M6 x 16 mm  x 4

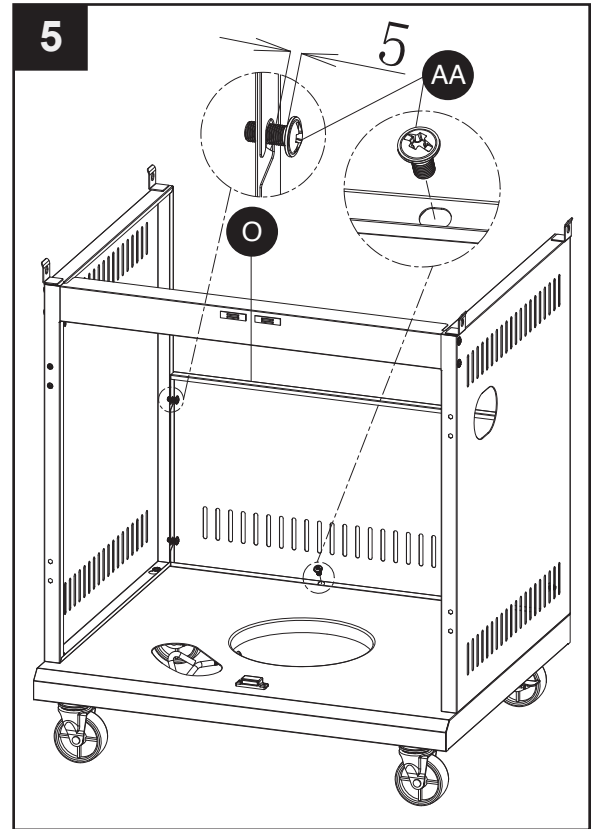


INSTRUCTIONS D'ASSEMBLAGE

5. Placez quatre boulons M6 x 16 mm (AA) sur le panneau gauche (M) et le panneau droit (N) du chariot sans les serrer. Assurez-vous de laisser un espace de 5 mm entre les boulons et le panneau. Ensuite, accrochez le panneau arrière du chariot (O) sur les boulons puis serrez les quatre boulons. Fixez le panneau arrière du chariot (O) à la tablette inférieure du chariot (P) avec un boulon M6 x 16 mm (AA).

Matériel utilisé

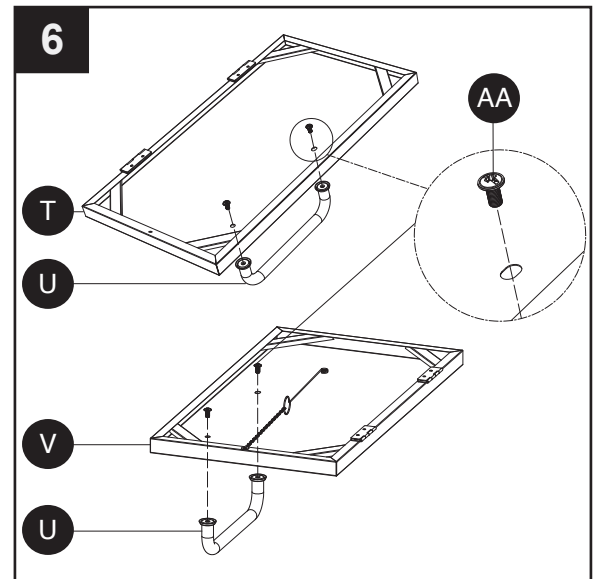
AA Boulon M6 x 16 mm  x 5



6. Fixez les poignées de porte (U) à la porte gauche (T) et à la porte droite (V) avec quatre boulons M6 x 16 mm (AA).

Matériel utilisé


AA Boulon M6 x 16 mm  x 4

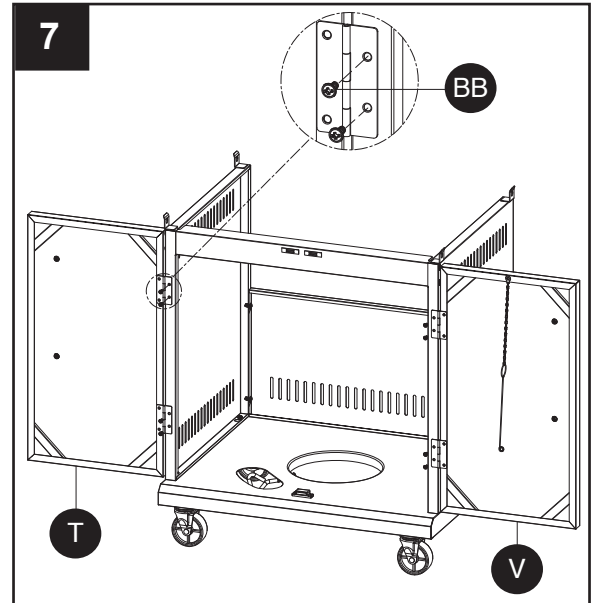


INSTRUCTIONS D'ASSEMBLAGE

7. Fixez la porte gauche (T) et la porte droite (V) au panneau gauche (M) et au panneau droit (N) du chariot avec huit boulons M4 x 12 mm (BB).

Matériel utilisé

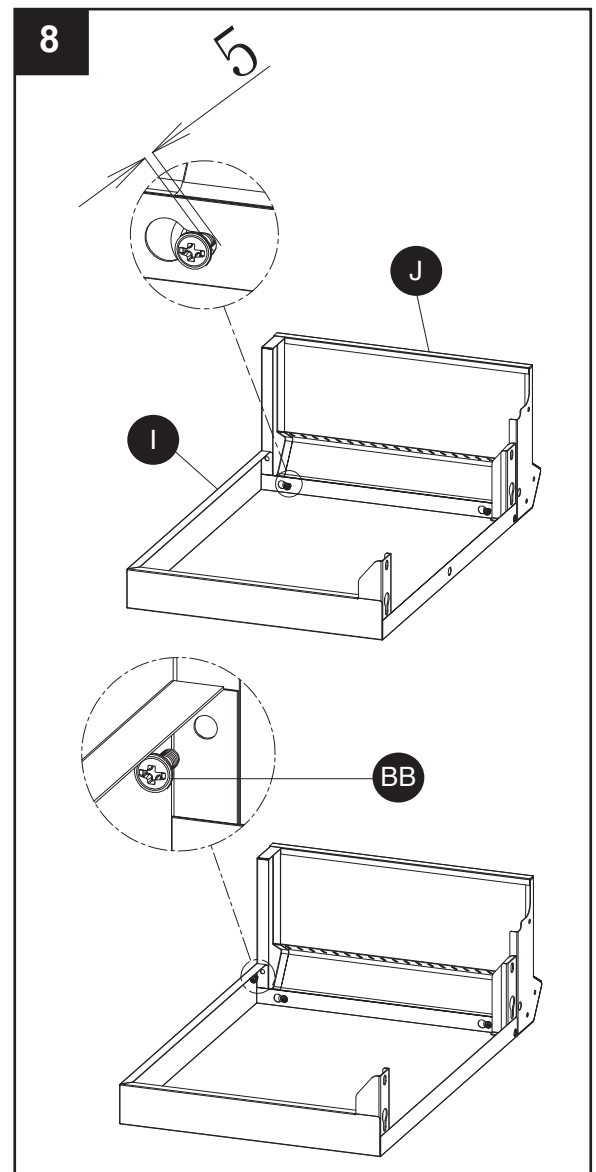
BB Boulon M4 x 12 mm  x 8



8. Placez deux boulons M4 x 12 mm (BB) sur la tablette avant latérale gauche (J) sans les serrer. Assurez-vous de laisser un espace de 5 mm entre les boulons et le panneau. Placez ensuite la tablette latérale gauche (I) sur les boulons, puis serrez les deux boulons. Fixez la tablette latérale gauche (I) à la tablette avant latérale gauche (J) avec un boulon M4 x 12 mm (BB).

Matériel utilisé

BB Boulon M4 x 12 mm  x 3

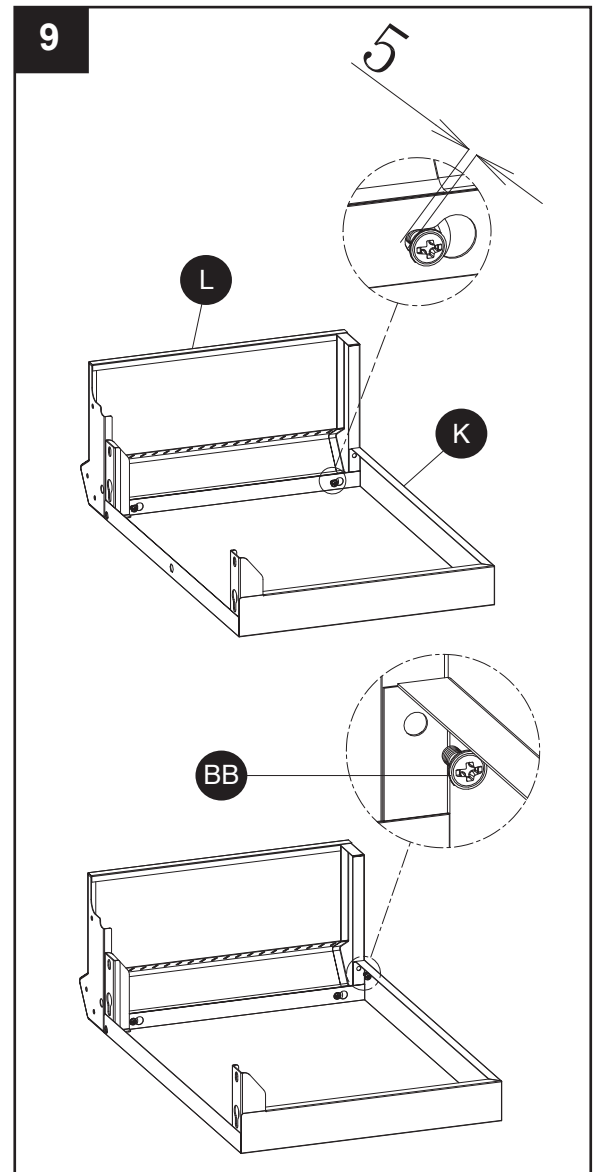


INSTRUCTIONS D'ASSEMBLAGE

9. Placez deux boulons M4 x 12 mm (BB) sur la tablette avant latérale droite (L) sans les serrer. Assurez-vous de laisser un espace de 5 mm entre les boulons et le panneau. Placez ensuite la tablette latérale droite (K) sur les boulons, puis serrez les deux boulons. Fixez la tablette latérale droite (K) à la tablette avant latérale droite (L) avec un boulon M4 x 12 mm (BB).




Matériel utilisé

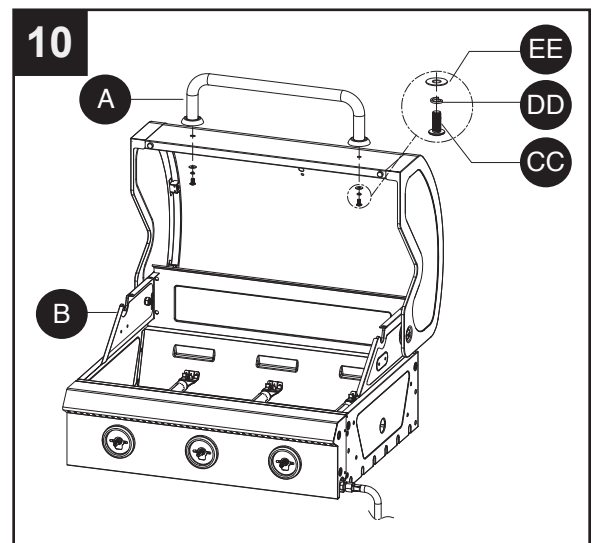
BB Boulon M4 x 12 mm  x 3



10. Fixez la poignée du couvercle (A) à la chambre de combustion (B) avec deux rondelles plates M6 (DD), deux rondelles élastiques M6 (EE) et deux boulons M6 x 25 mm (CC).

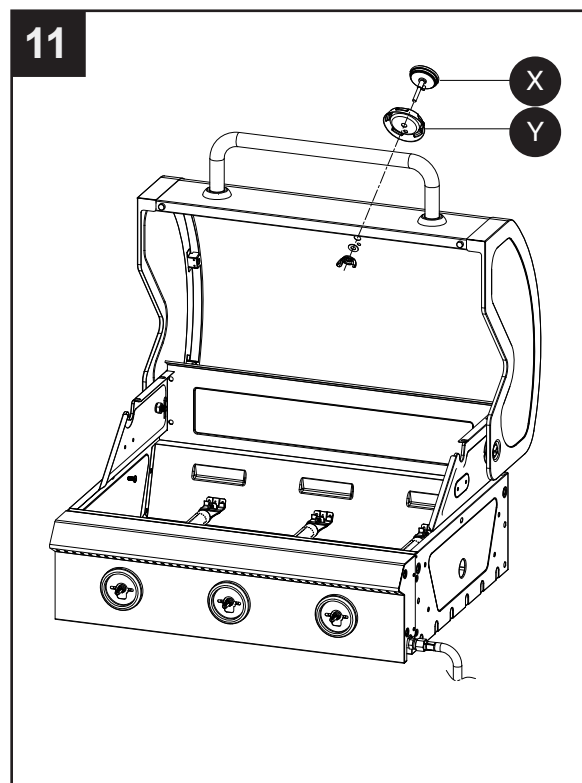
Matériel utilisé

CC Boulon M6 x 25 mm  x 2
DD Rondelle plate M6  x 2
EE Rondelle élastique M6  x 2

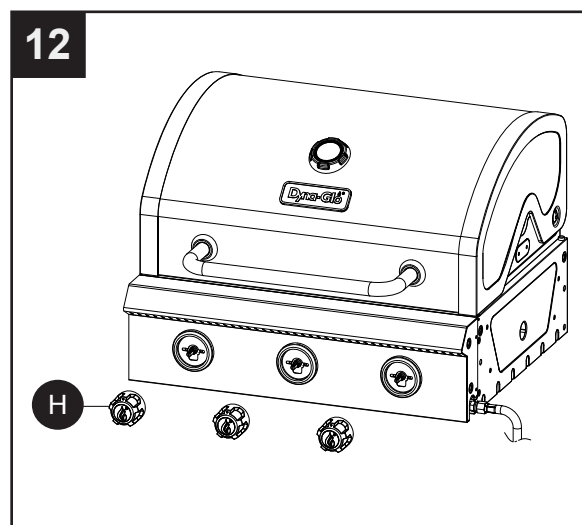


INSTRUCTIONS D'ASSEMBLAGE

11. Enlevez l'écrou à oreilles et la rondelle plate préassemblés de la jauge de température (X), puis fixez la jauge de température (X) et la collerette de la jauge de température (Y) à la chambre de combustion (B). Fixez la jauge de température (X) avec l'écrou à oreilles et la rondelle plate retirés précédemment.



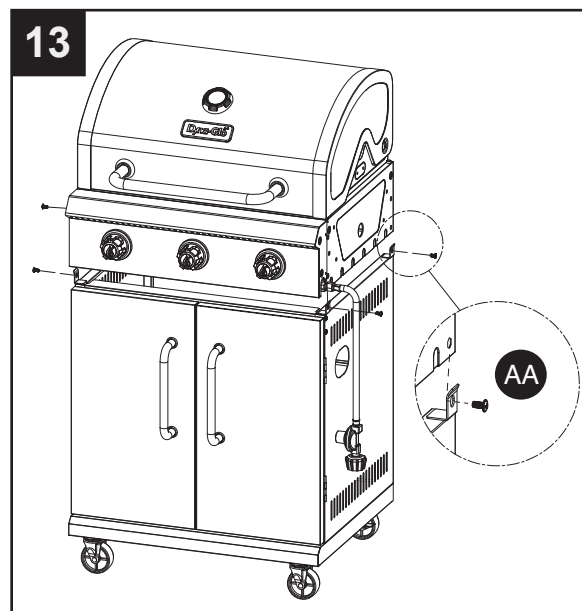
12. Fixez les trois boutons (H) aux tiges de la vanne.



INSTRUCTIONS D'ASSEMBLAGE

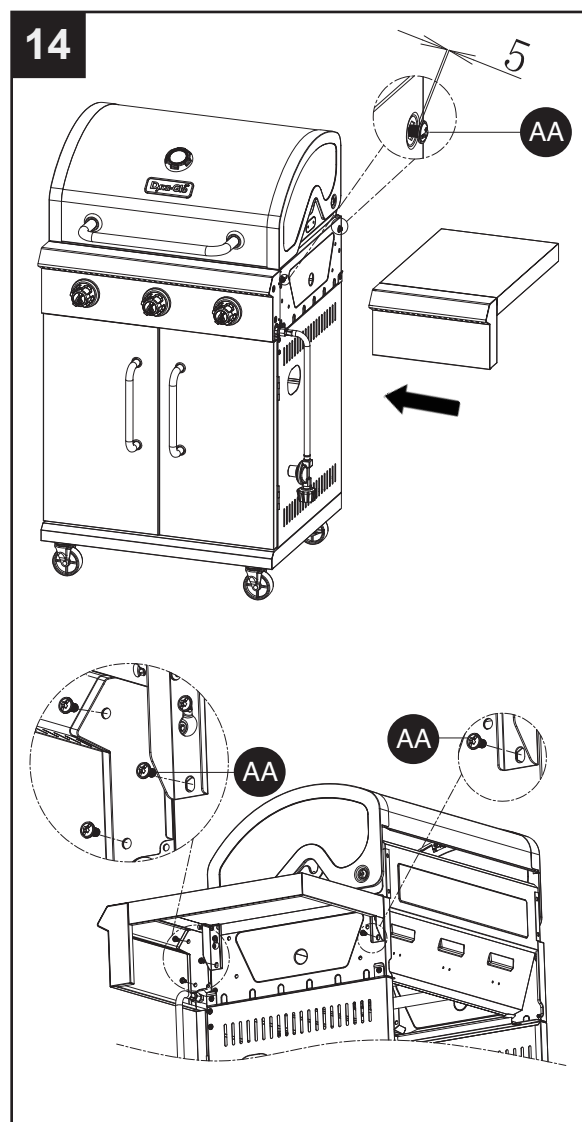
13. Placez délicatement la chambre de combustion (B) sur le panneau gauche (M) et le panneau droit (N) du chariot. Ajustez la chambre de combustion (B) pour que ses trous soient alignés avec ceux des languettes du panneau gauche (M) et du panneau droit (N) du chariot.
Remarque : Assurez-vous que le trou du tuyau de propane/régulateur soit à l'extérieur du chariot. Fixez la chambre de combustion (B) avec quatre boulons M6 x 16 mm (AA).

Matériel utilisé



14. Insérez deux boulons M6 x 16 mm (AA) dans le côté droit de la chambre de combustion (B) comme illustré, en laissant 5 mm de filet exposé. Alignez les trous de la tablette latérale droite (K) avec les deux boulons insérés dans la chambre de combustion (B), puis insérez quatre boulons M6 x 16 mm (AA) dans les derniers trous de la chambre de combustion (B). Ajustez la chambre de combustion (B) correctement puis serrez tous les boulons.

Matériel utilisé

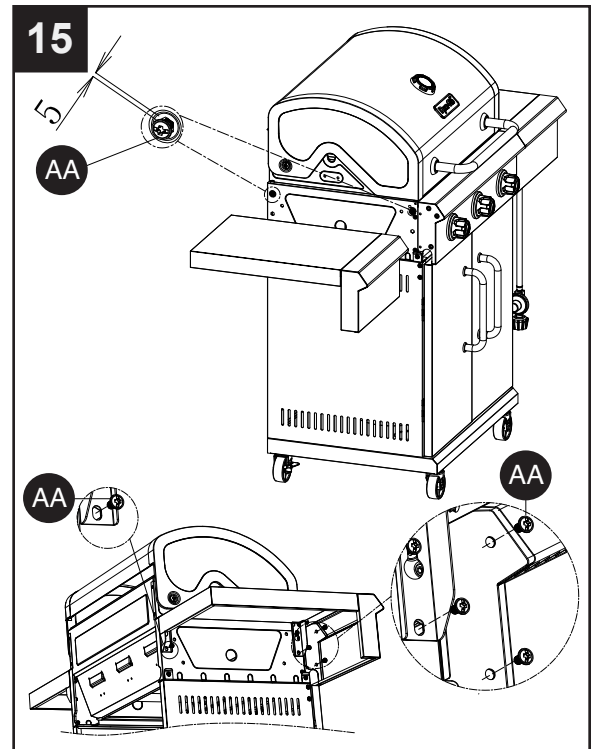


INSTRUCTIONS D'ASSEMBLAGE

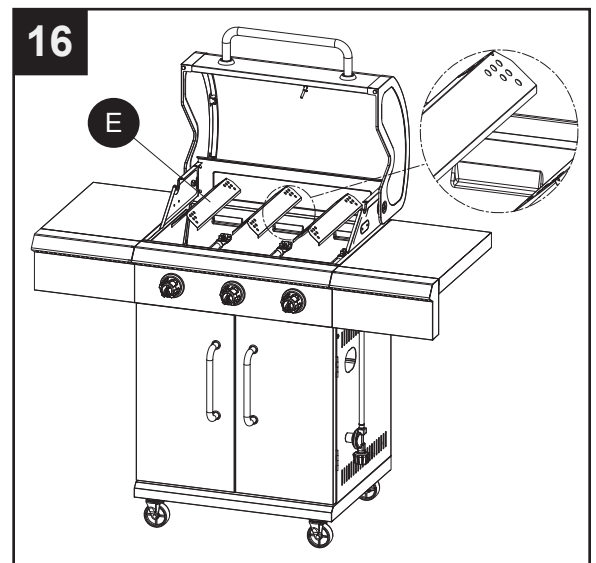
15. Insérez deux boulons M6 x 16 mm (AA) dans le côté gauche de la chambre de combustion (B), comme illustré, en laissant 5 mm de filet exposé. Alignez les trous de la tablette latérale gauche (I) avec les deux boulons insérés dans la chambre de combustion (B), puis insérez quatre boulons M6 x 16 mm (AA) dans les derniers trous de la chambre de combustion (B). Ajustez la chambre de combustion (B) correctement puis serrez tous les boulons.

Matériel utilisé

AA Boulon M6 x 16 mm  x 6

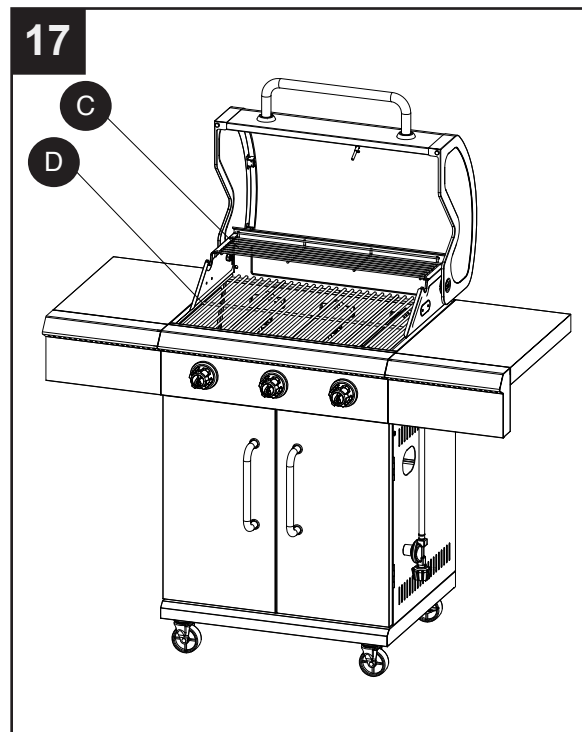


16. Placez les trois plaques de rayonnement (E) sur chaque brûleur.

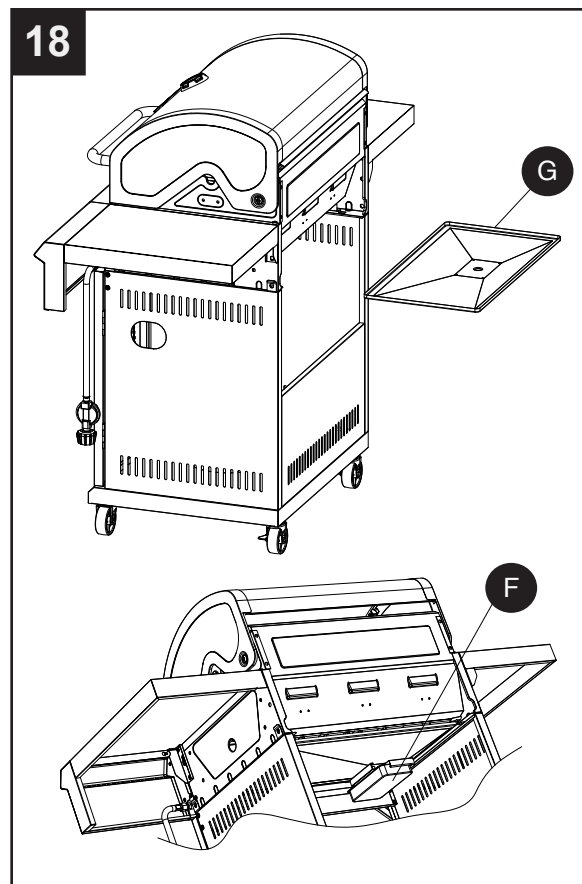


INSTRUCTIONS D'ASSEMBLAGE


17. Placez les deux grilles de cuisson (D) et la grille d'attente (C).

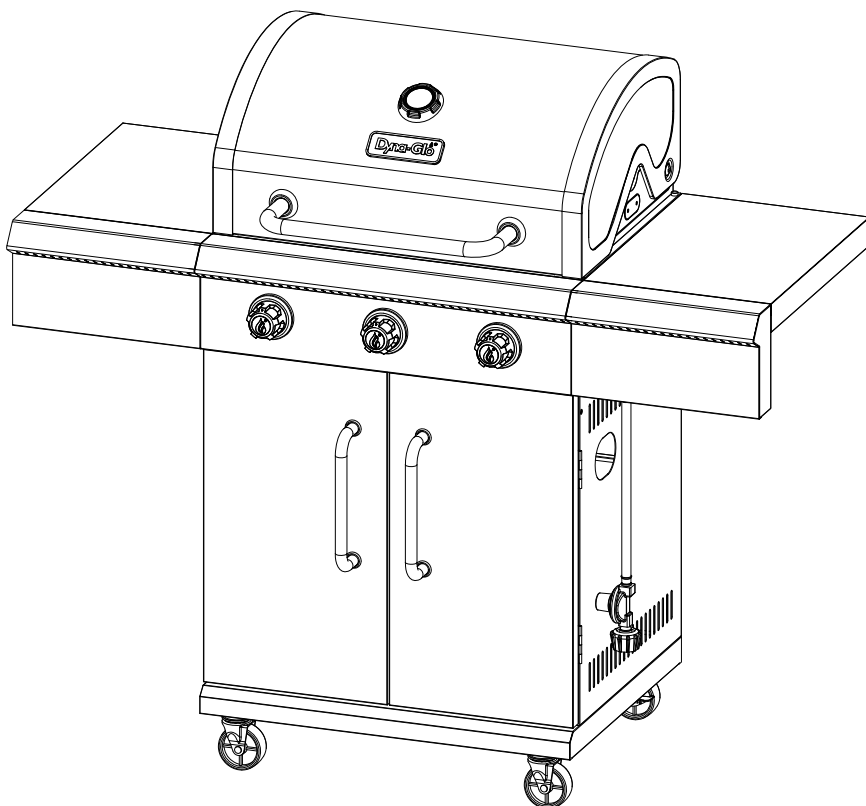


18. Placez le plateau à graisse (G) ainsi que le récupérateur de graisse (F).

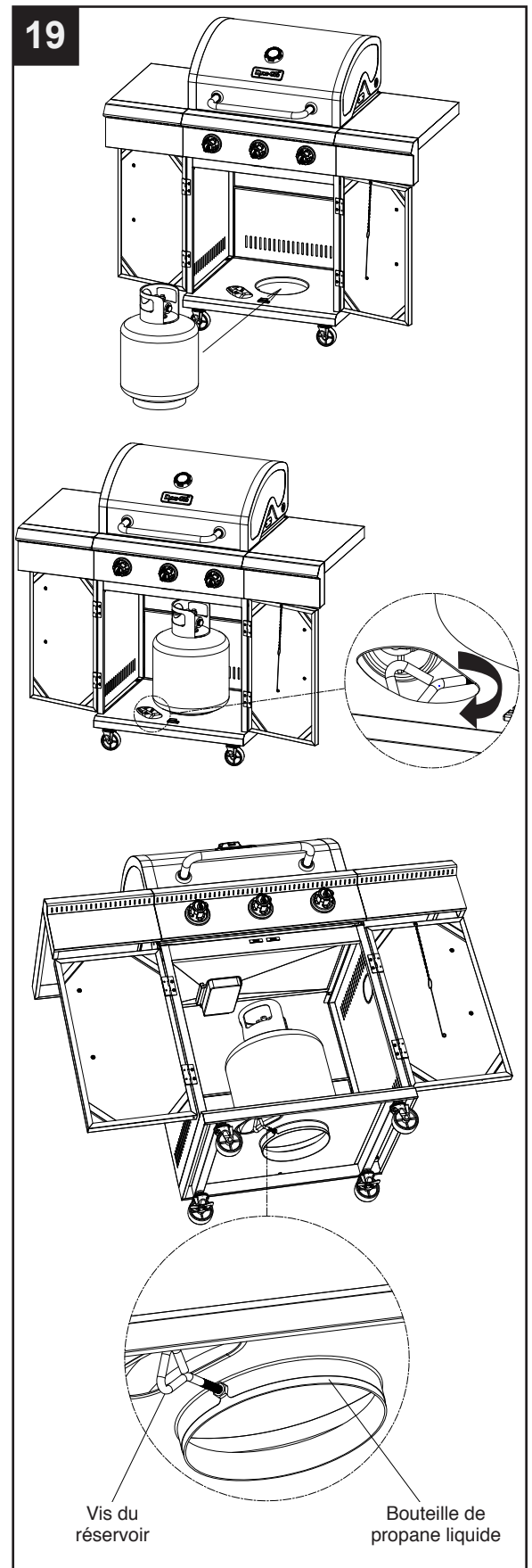


INSTRUCTIONS D'ASSEMBLAGE

19. Ouvrez la porte gauche (T) et la porte droite (V). Placez la bouteille de propane liquide (vendue séparément) dans le range-bouteille situé sur la tablette inférieure du chariot (P). Tournez la bouteille de propane liquide jusqu'à ce que le raccord du tuyau/régulateur soit aligné avec la vanne fileté de la bouteille. Serrez à la main le raccord du tuyau/régulateur sur la vanne fileté de la bouteille de propane. Serrez les vis du réservoir dans le sens horaire  à l'de face du chariot jusqu'à ce que la bouteille de propane liquide soit bien en place dans le range-bouteille de la tablette inférieure du chariot (P).



Entièrement assemblé



INSTRUCTIONS DE FONCTIONNEMENT

DÉCELER DES FUITES DE GAZ

Lorsque tous les raccordements sont effectués, vérifiez qu'il n'y a aucune fuite à la vanne de la bouteille de propane liquide, au tuyau de propane et au régulateur à l'aide d'une solution d'eau savonneuse.

Pour empêcher tout incendie ou toute explosion lorsque vous vérifiez la présence d'une fuite :

- Effectuez toujours un essai d'étanchéité avant d'allumer le barbecue.
- Ne fumez pas à proximité de l'appareil lorsque vous effectuez un essai d'étanchéité.
- Effectuez toujours les essais d'étanchéité à l'extérieur et dans un endroit aéré.
- N'utilisez aucune source de chaleur ou flamme pour déceler une fuite potentielle.
- N'utilisez pas le barbecue avant d'avoir complètement résolu les problèmes d'étanchéité.
- Si vous ne pouvez pas réparer une fuite, déconnectez la bouteille de propane et appelez un fournisseur d'appareils à gaz.

EFFECTUER UN ESSAI D'ÉTANCHÉITÉ

- Préparez une solution savonneuse comprenant une quantité égale de savon à vaisselle liquide et d'eau pour effectuer l'essai d'étanchéité.

La quantité totale de solution requise est d'environ 70 à 90 ml (2 ou 3 oz).

Versez la solution dans un flacon pulvérisateur.

- Assurez-vous que tous les boutons de commande sont en position d'arrêt (○).
- Raccordez le tuyau de propane à l'alimentation.
- Ouvrez la vanne de la bouteille de propane liquide.
- Pulvérisez la solution d'essai d'étanchéité sur tous les raccords qui acheminent le gaz. Si des bulles se forment à un endroit où la solution est appliquée, il y a une fuite de gaz à cet endroit. Si vous décelez une fuite, une odeur ou un bruit de gaz, fermez immédiatement la vanne d'entrée de gaz et remplacez ou réparez la pièce défectueuse. N'utilisez pas le barbecue avant d'avoir complètement résolu les problèmes d'étanchéité.

⚠ MISE EN GARDE

Utilisez uniquement le régulateur et les tuyaux fournis. Si vous devez les remplacer, veuillez contacter notre service à la clientèle. N'utilisez pas des pièces de rechange qui ne sont pas conçues spécifiquement pour ce barbecue.

⚠ AVERTISSEMENT

TOUTES LES INSTRUCTIONS ET MESURES DE SÉCURITÉ SUR CETTE PAGE DOIVENT ÊTRE SUIVIES POUR ÉVITER UN INCENDIE, DES DÉGÂTS ET DES BLESSURES.

INSTRUCTIONS DE FONCTIONNEMENT

BRANCHER LA BOUTEILLE DE PROPANE

La bouteille de propane doit être fabriquée et identifiée selon les spécifications sur les bouteilles à gaz du département des Transports des États-Unis (DOT) ou selon la norme CAN/CSA-B339 intitulée « Bouteilles à gaz cylindriques et sphériques et tubes pour le transport des marchandises dangereuses » des Normes nationales du Canada et selon la Commission, si applicables; et fournie avec un dispositif de protection antidébordement approuvé.

N'utilisez que des bouteilles de 20 lb (hauteur : 18,11 po, diamètre de la bouteille : 9,84 po, diamètre du pied : 8,03 po) équipées d'un système de raccordement à la bouteille compatible avec le système de raccordement des appareils de cuisson d'extérieur.

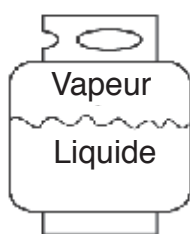
La bouteille doit être munie d'un collet servant à protéger la vanne de la bouteille. Il ne faut pas faire tomber ou manipuler brusquement la bouteille de propane!

La bouteille de propane doit être déconnectée lorsque l'appareil n'est pas en marche. L'entreposage d'un appareil à l'intérieur est permis **UNIQUEMENT** si la bouteille est déconnectée et retirée de l'appareil. Les bouteilles doivent être entreposées à l'extérieur, hors de la portée des enfants. Elles ne doivent pas être entreposées dans un bâtiment, un garage ou tout autre espace fermé. Votre bouteille ne doit jamais être entreposée dans un lieu où la température peut atteindre plus de 125 °F.

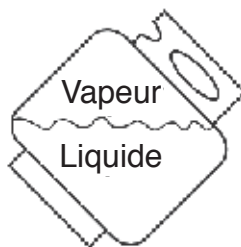
Placez un capuchon antipoussière sur la sortie de vanne de la bouteille quand celle-ci n'est pas utilisée. Installez uniquement le type de capuchon antipoussière qui est fourni avec la vanne de la bouteille. D'autres types de capuchons ou de bouchons peuvent entraîner des fuites de propane.

Avant de raccorder la bouteille, assurez-vous qu'il n'y a pas de débris coincés dans la sortie de la bouteille de propane, la sortie de la vanne de régulation ou la sortie et les orifices du brûleur. Raccordez la vanne de régulation et serrez fermement le raccord à la main. Maintenez la vanne de la bouteille de propane fermée et déconnectez la bouteille de propane de la vanne de régulation quand le barbecue n'est pas en marche.

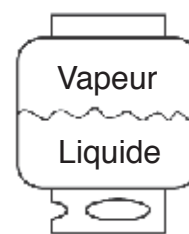
N'obstruez **PAS** la sortie de gaz et l'entrée d'air du barbecue. La bouteille de propane doit être positionnée de façon à ce que la vapeur puisse s'échapper, et être équipée d'un dispositif de protection antidébordement approuvé. Veuillez bien orienter la bouteille pour permettre à la vapeur de s'échapper. **REMARQUE** : La bouteille doit être en position verticale complète pour permettre seulement à la vapeur de s'échapper.



Correct



Incorrect



Incorrect

⚠ MISE EN GARDE

- a) N'entreposez pas de bouteilles de propane supplémentaires sous l'appareil ou près de celui-ci.
- b) Ne remplissez jamais la bouteille à plus de 80 % de sa capacité.
- c) Il est important de bien suivre les instructions données en a) et b) afin d'éviter un incendie ou des blessures graves ou mortelles.

INSTRUCTIONS DE FONCTIONNEMENT

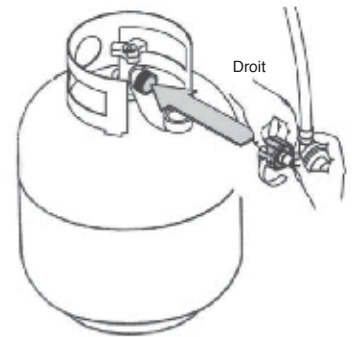
REMARQUE : D'autres bouteilles peuvent être utilisées avec cet appareil, pourvu qu'elles soient compatibles avec le range-bouteille et le système de retenue. Consultez l'étape 19 des instructions d'assemblage pour savoir comment connecter correctement une bouteille à son support.

⚠ AVERTISSEMENT

TOUTES LES INSTRUCTIONS ET MESURES DE SÉCURITÉ SUR CETTE PAGE DOIVENT ÊTRE SUIVIES POUR ÉVITER UN INCENDIE, DES DÉGÂTS ET DES BLESSURES.

CONNECTER LA BOUTEILLE DE PROPANE

1. La vanne de la bouteille de propane doit être fermée. Assurez-vous de la tourner en sens horaire ↻ jusqu'à ce qu'elle se bloque entièrement. Le système d'alimentation de la bouteille doit être positionné de façon à ce que la vapeur puisse s'échapper.
 2. Vérifiez que le bouton de commande de l'unité de commande est éteint.
 3. Retirez le capuchon protecteur de la vanne de la bouteille de propane et de l'écrou de fixation.
 4. Tenez le régulateur d'une main pendant que vous insérez le raccord fileté dans la sortie de vanne. Assurez-vous que le raccord fileté est centré par rapport à la sortie de vanne. L'écrou de fixation doit être en contact avec le filet large externe de la sortie de vanne. Manipulez avec précaution – ne faussez pas le filetage.
 5. Resserrez l'écrou de fixation à la main dans le sens horaire ↻ jusqu'à ce qu'il soit bien serré. Resserrez fermement à la main uniquement. N'utilisez pas d'outils.
- Pour déconnecter la bouteille** : Fermez complètement la vanne de la bouteille en la tournant en sens horaire ↻.
Tournez également l'écrou de fixation dans le sens antihoraire ↺ jusqu'à ce que le régulateur se détache.



⚠ AVERTISSEMENT

Lors du raccordement de la bouteille de propane, assurez-vous que :

- le raccord d'admission du régulateur est correctement connecté à la sortie de vanne de la bouteille, fermement et en toute sécurité, et que;
- le tuyau de propane n'est pas en contact avec la chambre de combustion.

INSTRUCTIONS DE FONCTIONNEMENT

Allumer le barbecue

Avant la première utilisation :

Retirez tous les emballages et toutes les attaches de plastique, le cas échéant. Avant de cuisiner sur votre nouveau barbecue au propane, il est important de le nettoyer avec de la chaleur. Pour ce faire, faites fonctionner le barbecue pendant environ 15 minutes avec le couvercle baissé et le bouton de commande à l'intensité maximale. Vous nettoierez ainsi les pièces internes en faisant brûler les résidus et les odeurs générés par le processus de fabrication.

⚠ MISE EN GARDE

Si la flamme s'éteint accidentellement lors de l'allumage ou du fonctionnement, FERMEZ immédiatement la vanne de la bouteille, puis DÉACTIVEZ le bouton de commande.

⚠ AVERTISSEMENT

Ne vous penchez pas au-dessus du barbecue lors de l'allumage. Lisez les instructions avant d'allumer l'appareil. Ne mettez pas de casserole sur le brûleur latéral. L'utilisation de casseroles sur le brûleur latéral entraîne des niveaux élevés de monoxyde de carbone.

1. Vérifiez que tous les boutons de commande sont en position d'arrêt (○).
2. Ouvrez complètement la vanne de la bouteille en la tournant dans le sens antihoraire ↺.
3. Ouvrez le couvercle pour allumer l'appareil.
4. Appuyez sur le bouton de commande et faites-le tourner en sens antihoraire ↺; partez de la position d'arrêt (○) et dépassez la position d'allumage ⚡ afin d'atteindre la position de haute intensité 🔥. Vous devrez peut-être répéter cette étape plusieurs fois pour allumer le brûleur.

Si l'appareil ne s'allume pas en 5 secondes, mettez le bouton de commande en position d'arrêt (○), attendez 5 minutes et recommencez la procédure d'allumage.

S'il ne s'allume toujours pas, assurez-vous que la bouteille contient du propane, puis suivez les instructions d'allumage avec une allumette. Consultez le Guide de dépannage à la page 54 pour obtenir plus de renseignements.

INSTRUCTIONS DE FONCTIONNEMENT

ALLUMER LE BARBECUE AVEC UNE ALLUMETTE

1. Ouvrez le couvercle.
2. Insérez une allumette dans le porte-allumettes qui se trouve à l'intérieur de la porte du barbecue.
3. Allumez l'allumette.
4. Placez immédiatement l'allumette dans un des espaces des grilles du barbecue qui se trouvent près des orifices du brûleur, entre les plaques de rayonnement, comme illustré. Veillez à placer l'allumette près des orifices du brûleur.
5. Appuyez sur le bouton de commande du brûleur, puis faites-le tourner en sens antihoraire ↶ jusqu'à la position de haute intensité 🔥 : le brûleur devrait s'allumer instantanément.
6. Répétez les étapes 2 à 5 pour allumer les autres brûleurs.
7. Réglez les brûleurs à la température de cuisson désirée.

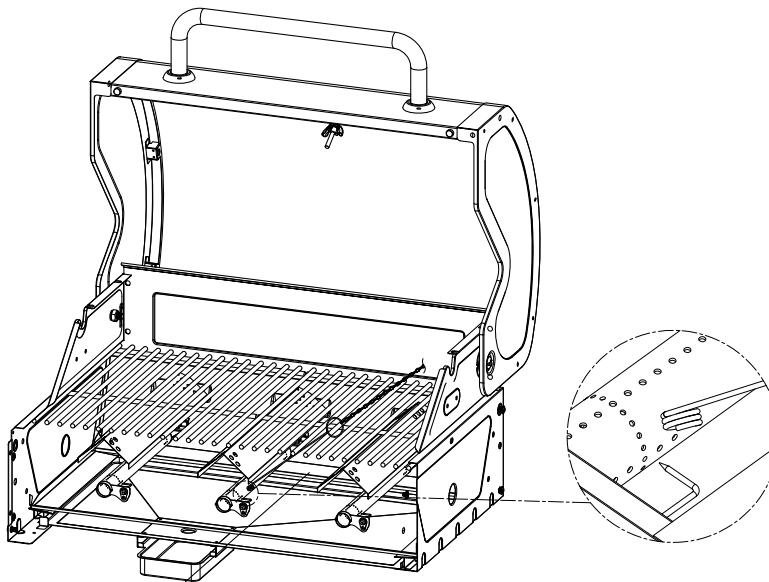
⚠ MISE EN GARDE

Assurez-vous que toutes les commandes de brûleurs sont éteintes, sauf celles des brûleurs que vous avez allumés ou que vous êtes en train d'allumer.

⚠ AVERTISSEMENT

Si l'appareil ne s'allume pas en 5 secondes, mettez le bouton de commande en position d'arrêt (○), attendez 5 minutes et recommencez la procédure d'allumage.

Allumage du brûleur principal avec une allumette



INSTRUCTIONS D'ARRÊT

1. Tournez les boutons de commande en sens horaire ↷ jusqu'à la position d'arrêt (○).
2. Fermez la vanne de la bouteille en la tournant en sens horaire ↷.
3. Fermez le couvercle.

Coupez l'alimentation en propane sur la bouteille lorsque l'appareil n'est pas en fonction.

Grilles de cuisson

Le moment idéal pour brûler les résidus sur les grilles de cuisson est juste après leur utilisation, pendant environ 15 minutes. Puisque le barbecue est déjà chaud, atteindre la température voulue pour le nettoyage demande moins de combustible.

Pour brûler les résidus, réglez le barbecue à sa plus haute intensité et laissez-le fonctionner pendant 15 minutes à couvercle fermé. Ensuite, éteignez les brûleurs et utilisez une brosse à métal pour gratter les résidus de nourriture sur les grilles.

Les grilles en porcelaine ont un fini émaillé (semblable au verre) et doivent être manipulées avec soin pour éviter de les endommager.

⚠ MISE EN GARDE

Assurez-vous d'effectuer votre nettoyage et votre entretien lorsque le barbecue a refroidi et que l'alimentation en propane est coupée à la bouteille.

Produits de nettoyage recommandés

Savon à vaisselle doux, eau tiède, tampon à récurer en nylon, brosse à métal.

N'utilisez PAS de nettoyeurs contenant des acides, de l'essence minérale ou tout autre produit abrasif.

Surfaces externes

Il est recommandé de n'utiliser que du savon à vaisselle doux et de l'eau chaude pour nettoyer le barbecue et ses pièces. Rincez à l'eau tiède.

Intérieur de la cuve inférieure du bâti

Pour éviter que des flammes jaillissent, la cuve inférieure du bâti devrait être nettoyée régulièrement. Éliminez les résidus à l'aide d'une brosse, d'un grattoir ou d'un tampon à récurer. Nettoyez avec un savon à vaisselle doux et de l'eau tiède. Rincez à l'eau tiède. Ne laissez pas l'eau éclabousser les venturis ou les brûleurs.

Plaques de rayonnement

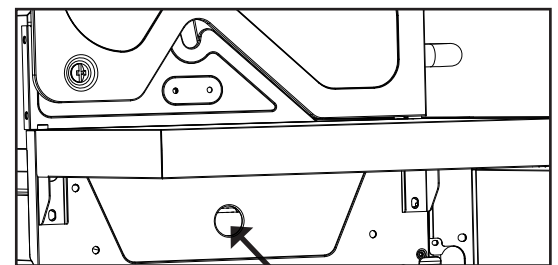
Éliminez les résidus avec une brosse à métal et nettoyez avec du savon à vaisselle doux et de l'eau tiède. Rincez à l'eau tiède.

Récupérateur de graisse

Videz de façon régulière le récupérateur de graisse et nettoyez-le avec du savon à vaisselle doux et de l'eau tiède.

Vérification de la flamme

La flamme idéale pour économiser le combustible et cuire efficacement devrait être bleu et jaune et mesurer entre 1 et 2 po. Pour vérifier la flamme, observez-la par les trous de part et d'autre de la chambre de combustion.



Trou permettant de voir la flamme



Brûleur

Retirer le brûleur

1. Assurez-vous que tous les boutons de commande sont en position d'arrêt, que la vanne d'alimentation en propane est fermée et que le tuyau de propane est déconnecté de l'alimentation.
2. Retirez la grille d'attente, les grilles de cuisson et les plaques de rayonnement.
3. Retirez l'axe de charnière, comme illustré à la figure 1.
4. Glissez les brûleurs principaux à l'extérieur de la chambre de combustion.
5. Détachez le fil d'allumage de l'électrode, comme illustré à la figure 2.

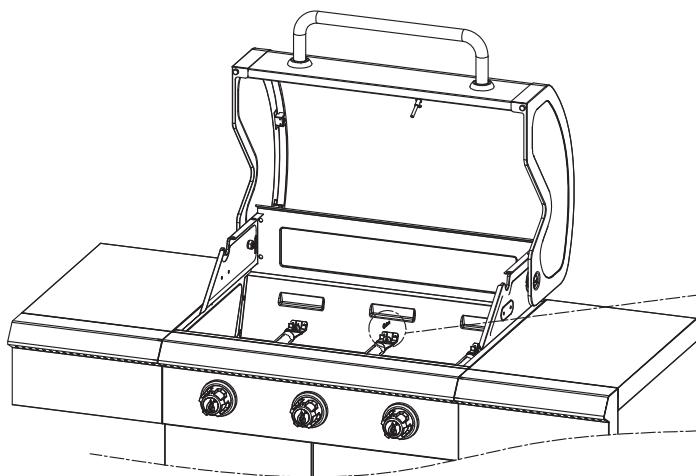
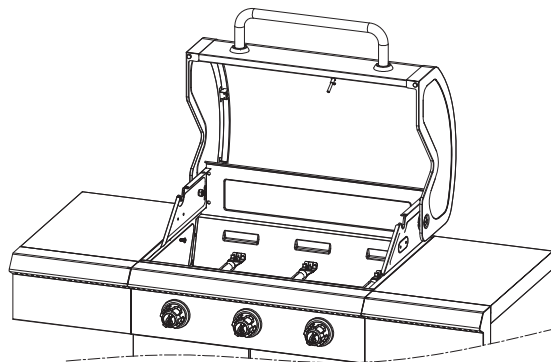
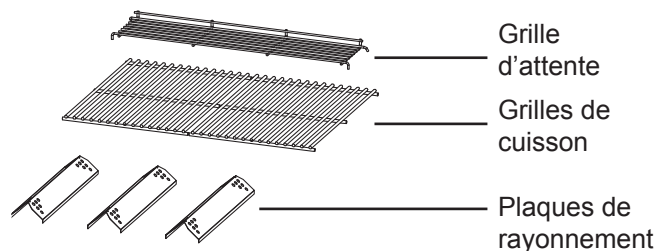
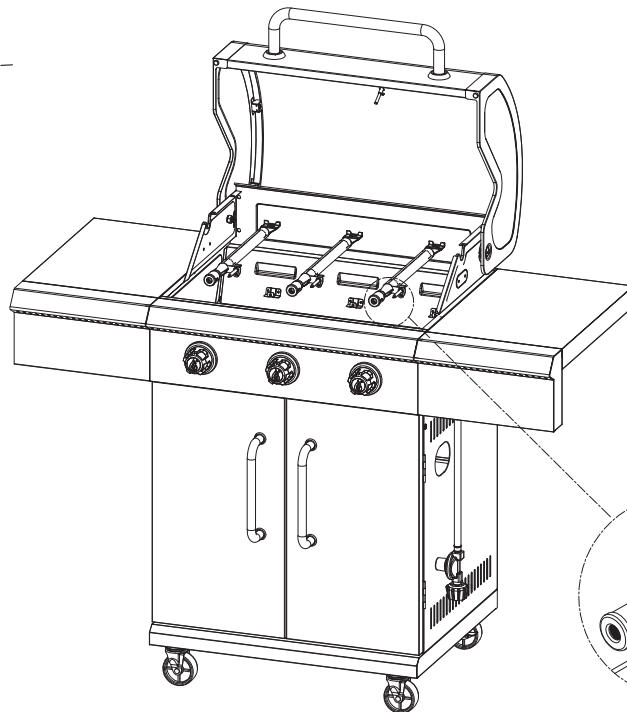


Figure 1



ENTRETIEN ET MAINTENANCE

Nettoyer le brûleur

– Assurez-vous que le barbecue est froid.

1. Veillez à ce que tous les orifices du brûleur soient libres d'obstructions. Vous pouvez utiliser une broche ou un trombone.
2. Assurez-vous que le brûleur n'est pas endommagé. S'il l'est, remplacez-le.
3. Assurez-vous que l'extrémité du brûleur et le filtre à air principal ne contiennent pas de nids d'insectes, de saletés ou de débris.

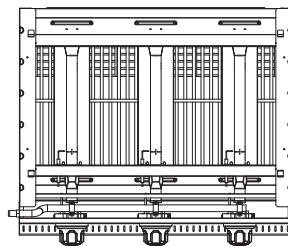
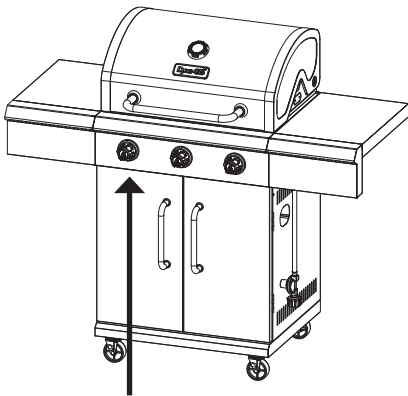
Réinstaller le brûleur

Veillez vous assurer que les orifices de la vanne de propane sont bien placés dans l'orifice du brûleur (venturi).

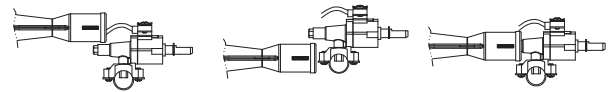
Vous pourriez avoir besoin d'une lampe de poche pour le vérifier.

Il est recommandé de vérifier la position par les trous d'évent de la chambre de combustion, comme illustré ci-dessous.

Réinstallez chaque brûleur avec l'axe de charnière et reconnectez le fil d'allumage à l'électrode.



Vue du dessous



Incorrect

Incorrect

Correct

Vérifiez la position par le dessous de la chambre de combustion.

⚠ AVERTISSEMENT

Le non-respect des instructions ci-dessus peut provoquer un incendie ou une explosion pouvant entraîner des blessures graves ou la mort.

Entretien et maintenance supplémentaires

Il est recommandé de faire inspecter et entretenir cet appareil une fois par année par un technicien qualifié.

Il est recommandé de toujours vérifier que l'appareil de cuisson d'extérieur est exempt de matériaux combustibles, d'essence et d'autres vapeurs et liquides inflammables avant de l'allumer.

Il est recommandé de vérifier régulièrement que la sortie de gaz et l'entrée d'air sont exemptes d'obstructions.

Il est recommandé de vérifier régulièrement que les conduits d'aération de l'armoire du barbecue sont propres et exempts de débris.

Il est recommandé de vérifier régulièrement que les brûleurs et les venturis sont exempts d'insectes et de nids d'insectes, et de les nettoyer au besoin. Un tuyau obstrué peut provoquer un incendie sous le barbecue.

DÉPANNAGE

Si vous avez des questions concernant le produit, veuillez appeler le service à la clientèle au 1 877 447-4768, de 8 h 00 à 16 h 30 (HNC), du lundi au vendredi.

PROBLÈME	CAUSE POSSIBLE	SOLUTION
Le brûleur ne s'allume pas après que la procédure d'allumage a été suivie (la flamme est faible ou aucune flamme n'est produite).	<ol style="list-style-type: none">1. L'électrode de l'allumeur est peut-être recouverte de graisse ou de résidus.2. L'électrode de l'allumeur peut avoir un fil lâche ou mal raccordé.3. L'électrode d'allumage est fissurée ou brisée.	<ol style="list-style-type: none">1. Nettoyez l'électrode d'allumage.2. Vérifiez les raccordements et reconnectez tous les fils lâches ou mal raccordés.3. Remplacez l'électrode d'allumage (voir la liste des pièces de rechange).
Chaleur faible.	<ol style="list-style-type: none">1. La pression d'alimentation de gaz de l'appareil est insuffisante.	<ol style="list-style-type: none">1. Appelez une institution de service qualifiée pour faire vérifier et réparer la pression d'alimentation de gaz.
Flambées excessives.	<ol style="list-style-type: none">1. Il y a une accumulation de graisse ou de résidus sur les plaques de rayonnement ou dans la chambre de combustion.2. Il y a un égouttement excessif de gras ou de marinade des aliments.3. La température de cuisson est trop élevée.	<ol style="list-style-type: none">1. Nettoyez les composants du barbecue.2. Retirez le gras de la viande et utilisez des marinades qui ne sont pas faites à base d'huile.3. Baissez la température en conséquence.

PROBLÈME	CAUSE POSSIBLE	SOLUTION
<p>Le brûleur ne s'allume pas avec une allumette.</p>	<ol style="list-style-type: none"> 1. L'allumette n'atteint pas les brûleurs (lorsque vous la tenez avec votre main). 2. Bouteille vide. 3. Mauvais raccordement entre le régulateur de la vanne et la bouteille. 4. L'orifice du brûleur est bouché. 	<ol style="list-style-type: none"> 1. Utilisez le porte-allumettes qui se trouve sur la porte du barbecue. 2. Vérifiez le niveau du combustible et remplissez la bouteille au besoin. 3. Tournez les boutons de commande en position d'arrêt, fermez la vanne située au sommet de la bouteille de propane et vérifiez le raccordement entre le régulateur de la vanne et la bouteille. Déconnectez et reconnectez la bouteille au besoin. 4. Nettoyez l'orifice du brûleur (venturi) et le brûleur en suivant les directives à cet effet qui se trouvent dans la section « Entretien et maintenance » du présent guide.
	<ol style="list-style-type: none"> 1. La vanne de la bouteille n'est pas ouverte ou complètement ouverte. 2. Bouteille vide. 3. Mauvais raccordement entre le régulateur de la vanne et la bouteille. 4. L'orifice du brûleur est bouché. 	<ol style="list-style-type: none"> 1. Ouvrez complètement la vanne de la bouteille en la tournant en sens antihoraire. 2. Vérifiez le niveau du combustible et remplissez la bouteille au besoin. 3. Tournez les boutons de commande en position d'arrêt, fermez la vanne située au sommet de la bouteille de propane et vérifiez le raccordement entre le régulateur de la vanne et la bouteille. Déconnectez et reconnectez la bouteille au besoin. 4. Nettoyez l'orifice du brûleur (venturi) et le brûleur en suivant les directives à cet effet qui se trouvent dans la section « Entretien et maintenance » du présent guide.

GARANTIE LIMITÉE

Garantie limitée d'un an

Ce barbecue au propane est garanti pendant un an (les brûleurs en acier inoxydable sont garantis pendant cinq ans) contre les pièces brisées ou endommagées au moment de l'achat. Il est garanti contre les défauts. La peinture est garantie contre les défauts, mais n'est pas garantie contre la rouille, qui pourrait apparaître après une utilisation répétée.

La garantie ne couvre pas les dommages et les problèmes causés par une négligence, une utilisation abusive ou des modifications apportées à l'appareil. La garantie ne couvre pas les coûts de main-d'œuvre.

Pour chaque pièce couverte par la garantie, une pièce de remplacement sera livrée sans frais selon la méthode choisie par le fabricant (livraisons par voie terrestre, service postal des États-Unis ou services de colis postaux UNIQUEMENT). Tous les frais de manutention spéciaux (p. ex. : deux jours, jour suivant, etc.) relèvent de la responsabilité du consommateur.

Toutes les réclamations sous garantie s'appliquent uniquement à l'acheteur initial du produit et nécessitent une preuve d'achat qui indique la date d'achat. Ne retournez aucune pièce sans avoir obtenu au préalable un numéro d'autorisation de retour de la part du service à la clientèle. Pour obtenir ce service, appelez sans frais au 1 877 447-4768, de 8 h 00 à 16 h 30 (HNC), du lundi au vendredi.

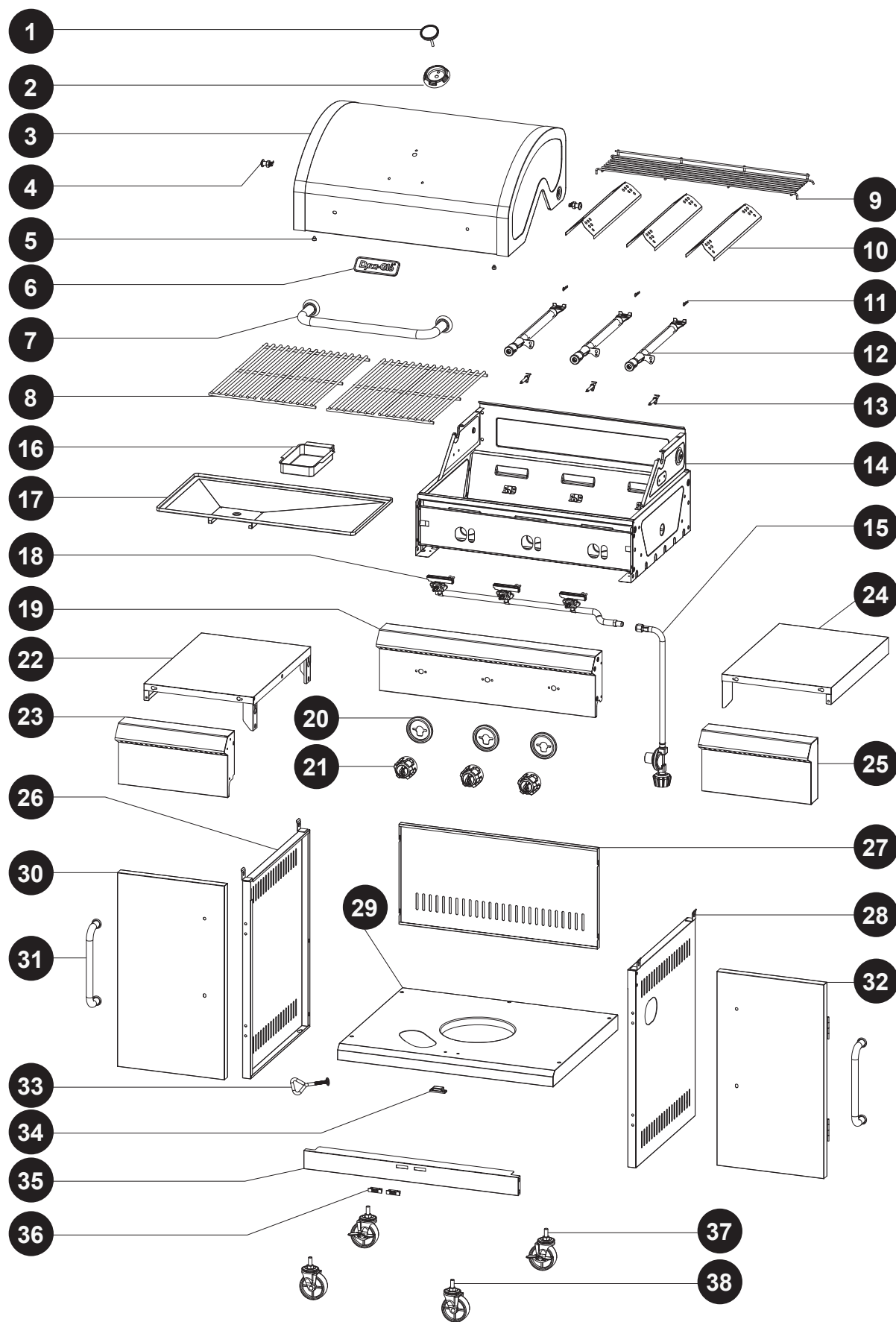
AVIS : Les lois en vigueur dans certains États, provinces ou territoires n'autorisent pas l'exclusion ou la limitation des dommages consécutifs ou indirects, ou encore, la limitation de la durée d'une garantie implicite et, par conséquent, les limitations et exclusions énoncées ci-dessus pourraient ne pas s'appliquer à vous. La présente garantie vous accorde des droits spécifiques reconnus par la loi et vous bénéficiez peut-être aussi d'autres droits reconnus par la loi, qui peuvent varier selon l'État, la province ou le territoire.

GHP Group, Inc.
6440 W. Howard Street
Niles, IL, États-Unis
60714-3302

Nom de l'article : Barbecue au propane de première qualité à trois brûleurs
N° de modèle : DGG424CNP/DGG424CNP-D/DGG424RNP/DGG424RNP-D
Puissance nominale en BTU du brûleur principal : 36 000 BTU/h

LISTE DES PIÈCES DE RECHANGE

Pour des pièces de rechange, veuillez appeler le service à la clientèle au 1 877 447-4768, de 8 h 00 à 16 h 30 (HNC), du lundi au vendredi.



LISTE DES PIÈCES DE RECHANGE

Pour des pièces de rechange, veuillez appeler le service à la clientèle au 1 877 447-4768, de 8 h 00 à 16 h 30 (HNC), du lundi au vendredi.

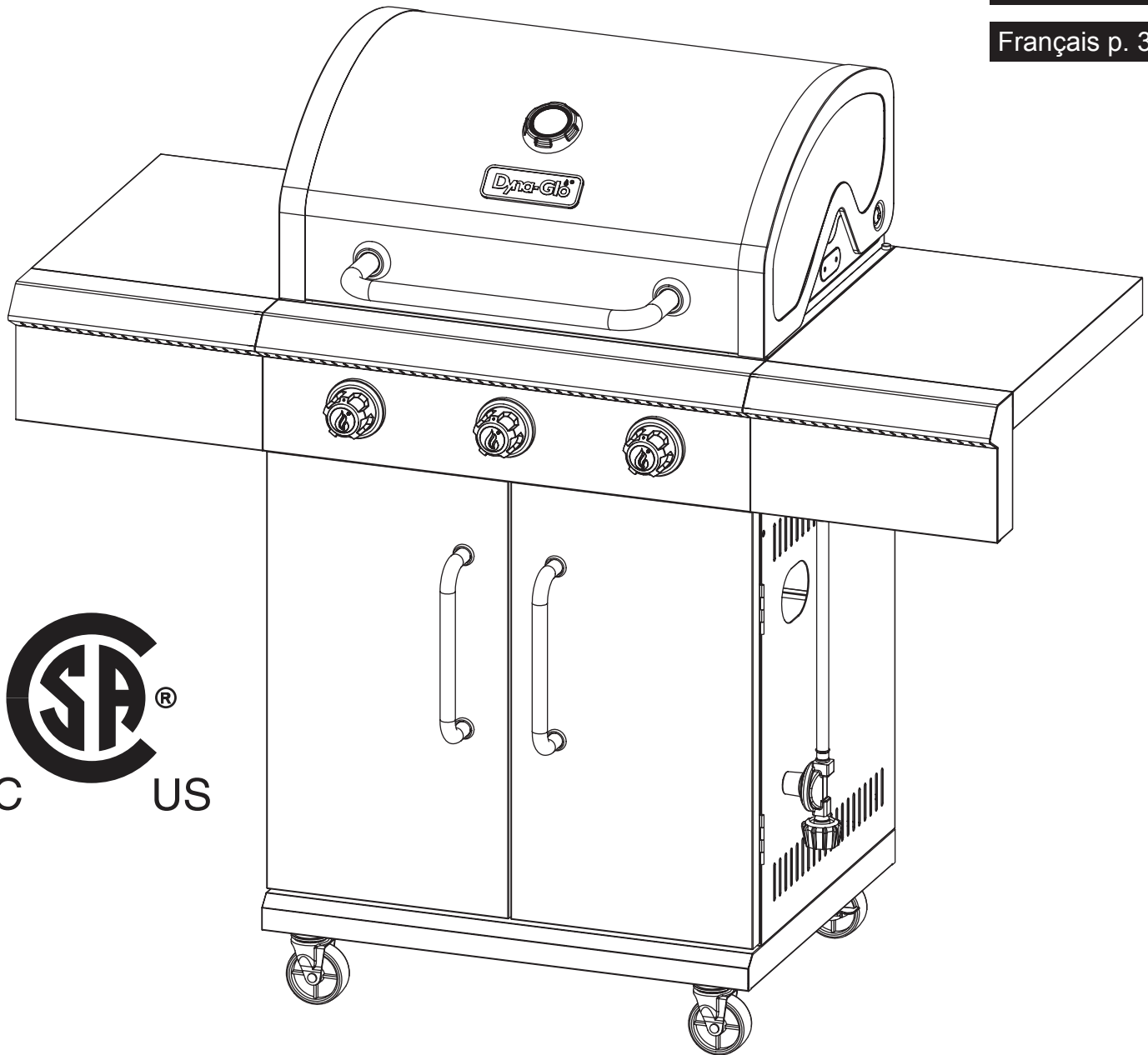
PIÈCE	DESCRIPTION	N° DE PIÈCE Rouge DGG424RNP / DGG424RNP-D	N° DE PIÈCE Noir DGG424CNP / DGG424CNP-D
1	Jauge de température	70-02-264	70-02-264
2	Collerette de la jauge de température	70-02-265	70-02-265
3	Couvercle	70-02-266	70-02-298
4	Charnière du couvercle (avec écrou et attache)	70-01-641	70-01-641
5	Tampon	70-01-176	70-01-176
6	Plaque	104-22006	104-22006
7	Poignée du couvercle	70-02-268	70-02-268
8	Grille de cuisson	70-02-269	70-02-269
9	Grille d'attente	70-02-270	70-02-270
10	Plaque de rayonnement	70-02-561	70-02-561
11	Broche R	70-02-562	70-02-562
12	Brûleur principal	70-02-273	70-02-273
13	Allumeur du brûleur principal	70-02-274	70-02-274
14	Chambre de combustion (avec écran thermique et support du brûleur)	70-02-275	70-02-275
15	Régulateur	70-01-647	70-01-647
16	Récupérateur de graisse	70-01-187	70-01-187
17	Plateau à graisse	70-02-277	70-02-277
18	Valves principales et clarinette	70-02-278	70-02-278
19	Soudure du panneau de contrôle	70-02-279	70-02-279
20	Collerette du bouton	70-01-184	70-01-184
21	Bouton	70-02-280	70-02-280
22	Tablette latérale gauche	70-02-281	70-02-281
23	Tablette avant latérale gauche	70-02-282	70-02-282
24	Tablette latérale droite	70-02-283	70-02-283
25	Tablette avant latérale droite	70-02-284	70-02-284
26	Panneau gauche du chariot	70-02-285	70-02-285
27	Panneau arrière du chariot	70-02-286	70-02-286
28	Panneau droit du chariot	70-02-287	70-02-287
29	Tablette inférieure du chariot	70-02-288	70-02-288
30	Porte gauche	70-02-289	70-02-299
31	Poignée de porte	70-02-290	70-02-290
32	Porte droite (avec porte-allumettes)	70-02-291	70-02-300
33	Filetage de couvercle de réservoir	70-02-563	70-02-563
34	Aimant	70-02-293	70-02-293
35	Support avant du chariot	70-02-294	70-02-294
36	Aimant supérieur de porte	70-02-295	70-02-295
37	Roulette avec frein	70-05-101	70-05-101
38	Roulette	70-05-100	70-05-100
	Trousse de matériel	70-09-542	70-09-542

Dyna-Glo® PARRILLA PREMIER CON 3 QUEMADORES PARA GAS

N.º de modelo DGG424CNP/
DGG424CNP-D/DGG424RNP/
DGG424RNP-D

English p. 1

Français p. 30



ADJUNTE SU RECIBO AQUÍ

Número de serie _____ Fecha de compra _____



¿Preguntas, problemas, piezas faltantes? Antes de hacer una devolución a la tienda, llame a nuestro Departamento de Atención al Cliente al 1-877-447-4768, de lunes a viernes de 8:00 a. m. a 4:30 p. m. (hora central estándar), o escriba a customerservice@ghpgroupinc.com.

CONTENIDO

Información de seguridad	61
Contenido del paquete	63
Paquete de tornillería	64
Preparación	64
Instrucciones de ensamblaje	65
Instrucciones de funcionamiento	75
Cuidado y mantenimiento	80
Solución de problemas	83
Garantía	85
Lista de piezas de repuesto	86

Ensamblador/instalador: este manual contiene información importante, necesaria para ensamblar correctamente el artefacto y utilizarlo de manera segura. Lea y respete todas las advertencias e instrucciones antes de ensamblar y utilizar este artefacto. **Deje estas instrucciones en manos del consumidor.**

Consumidor/usuario: Respete todas las advertencias e instrucciones al utilizar el artefacto. **Conserve estas instrucciones para futura referencia.**

PELIGRO

Si huele a gas:

1. Apague el gas del artefacto.
2. Apague cualquier llama abierta.
3. Abra la tapa.
4. Si el olor continúa, manténgase alejado del artefacto y llame inmediatamente al departamento de bomberos.

ADVERTENCIA

1. No guarde ni utilice gasolina u otros líquidos o vapores inflamables cerca de este artefacto ni de ningún otro.
2. Ningún tanque de gas propano líquido (LP) que no esté conectado para su uso debe almacenarse en los alrededores de este u otro artefacto.
3. Esta parrilla es para utilizar solo al aire libre y no se debe emplear dentro de un edificio, garaje, bajo los aleros ni ningún otro espacio cerrado.
4. No deje desatendida la parrilla cuando esté encendida. Asegúrese de que no haya niños ni mascotas cerca de la parrilla en ningún momento.

INFORMACIÓN DE SEGURIDAD

Lea y comprenda este manual por completo antes de intentar ensamblar, poner en funcionamiento o instalar el producto. Si tiene preguntas relacionadas con el producto, llame al Departamento de Atención al Cliente al 1-877-447-4768, de lunes a viernes de 8:00 a. m. a 4:30 p. m. (hora central estándar).

PELIGRO

- No se puede utilizar en una atmósfera explosiva. Asegúrese de que no haya material combustible, gasolina ni otros vapores y líquidos inflamables en el lugar donde se encuentra la parrilla.

ADVERTENCIA

Este producto y los combustibles usados para ponerlo en funcionamiento (propano líquido), y los productos de combustión de dichos combustibles, pueden exponerlo a sustancias químicas como el benceno, que según el estado de California, puede provocar cáncer y daños reproductivos.

Para obtener más información, visite www.p65Warnings.ca.gov

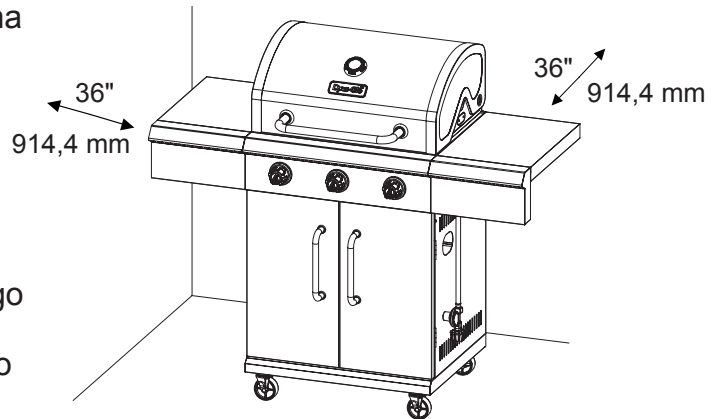
PRECAUCIÓN

- Nunca utilice carbón o líquidos combustibles en la parrilla.
- No utilice gasolina, kerosén ni alcohol para encenderla.
- El tanque de gas propano líquido que se utiliza con este artefacto debe:
 - (a) Estar fabricado y marcado de acuerdo con las especificaciones para tanques de gas propano líquido del Departamento de Transporte de los Estados Unidos (D.O.T) o con las normas nacionales de Canadá, CAN/CSA-B339 sobre tanques, esferas y tubos para el transporte de mercancías peligrosas; y de la puesta en servicio, según corresponda.
 - (b) Estar provisto de un dispositivo de protección contra sobrellenado registrado.
 - (c) Estar provisto de un dispositivo de conexión de tanque compatible con el conector para artefactos para cocinar al aire libre. Esta parrilla no está diseñada para ser instalada o utilizada en interiores ni sobre embarcaciones o casas rodantes.
- Nunca deje un tanque de gas propano lleno en un auto caliente ni en el maletero de un auto. El calor hará que aumente la presión del gas, lo cual puede abrir la válvula de escape y dejar que se escape el gas.
- Siempre abra la tapa de la parrilla con cuidado y lentamente, ya que el calor y el vapor atrapados en el interior pueden ocasionarle una quemadura grave.

! ADVERTENCIA

- No coloque la parrilla debajo de toldos o estructuras combustibles. La distancia mínima desde los laterales y la parte trasera de la unidad hasta una estructura combustible debe ser de 36 pulgadas (914,4 mm).

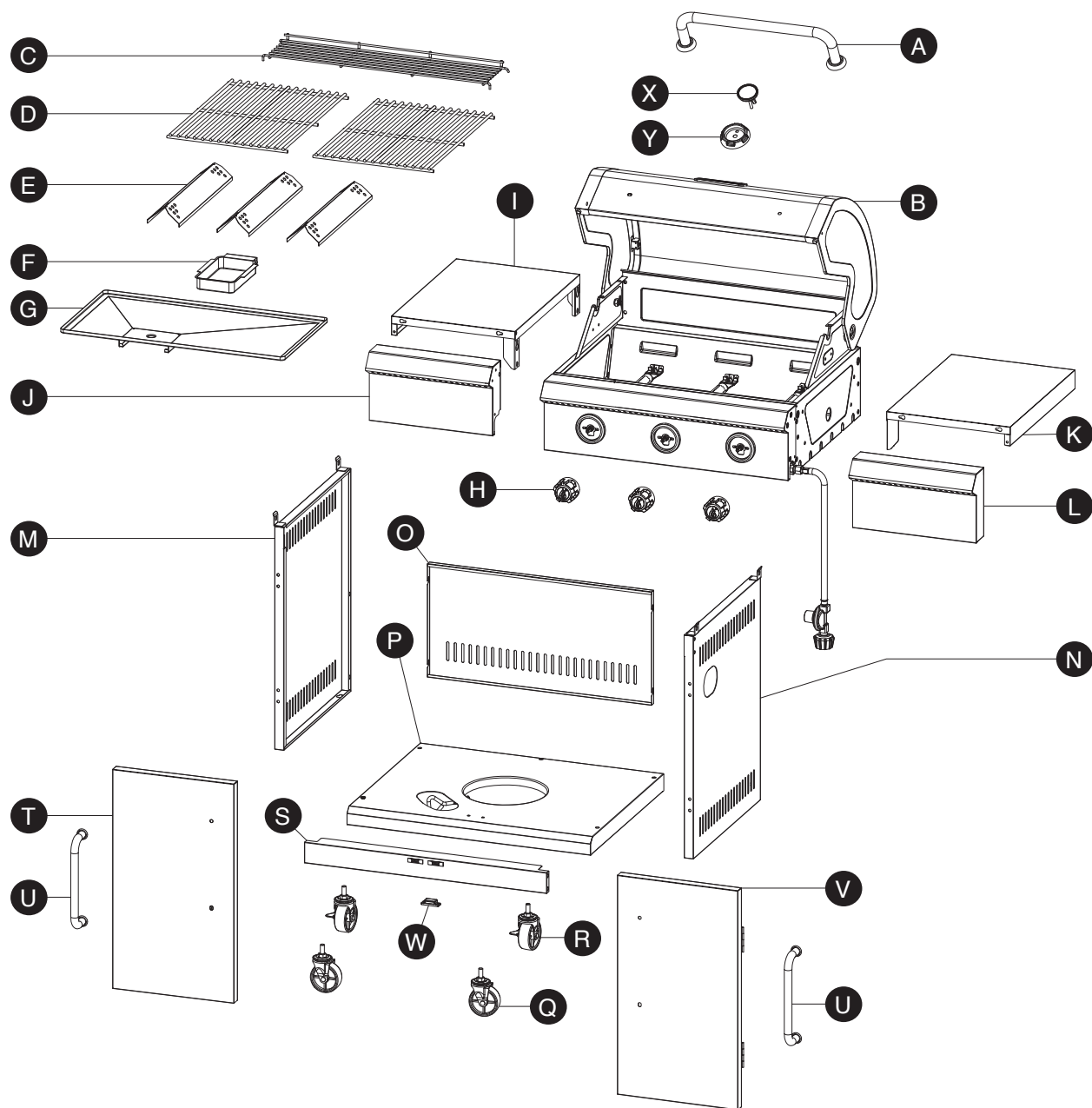
NOTA: la instalación debe cumplir con los códigos locales o, en ausencia de códigos locales, con el Código Nacional de Gas Combustible ANSI Z223.1/NFPA 54, el Código de Instalación de Gas Natural y Propano CSA B149.1, o el Código de Almacenamiento y Manipulación de Propano B149.2.



! PRECAUCIÓN

- No guarde ni utilice gasolina u otros líquidos o vapores inflamables cerca de este artefacto ni de ningún otro.
- Cuando los tanques de gas propano líquido no estén conectados, no deben quedar guardados cerca de este artefacto ni de ningún otro.
- Esta parrilla es para utilizar solamente con gas propano (el tanque de gas propano no está incluido).
- Nunca intente conectar esta parrilla al sistema de gas propano independiente de un barco, un remolque o una casa rodante.
- No intente mover la parrilla cuando esté caliente o en uso. Las ruedecillas deben permanecer bloqueadas cuando no esté desplazando la parrilla.
- No use la parrilla a menos que esté completamente ensamblada y todas las piezas estén sujetadas y ajustadas correctamente.
- Mantenga en todo momento una distancia de, por lo menos, 36 pulgadas (914,4 mm) entre la parrilla y elementos o superficies combustibles.
- No toque las piezas metálicas de la parrilla hasta que no estén frías por completo (después de aproximadamente 45 minutos) para evitar quemaduras, a menos que esté usando protección personal (agarraderas, guantes, manoplas para asar, etc.).
- No realice ningún tipo de modificación en esta parrilla.
- Limpie e inspeccione la manguera antes de cada uso. Si hay alguna evidencia de abrasión, desgaste, cortes o fugas, se debe reemplazar la manguera antes de poner en funcionamiento el artefacto. El conjunto de la manguera de repuesto será el especificado por el fabricante.
- Coloque las mangueras de gas lo más lejos posible de superficies calientes y del lugar donde gotee grasa caliente.
- Mantenga la limpieza del compartimiento de válvulas, los quemadores y los pasajes de circulación de aire. Inspeccione la parrilla antes de cada uso. No obstruya el flujo de gas ni el flujo de aire de ventilación.
- El consumo de alcohol y de medicamentos recetados o no recetados podría afectar la capacidad del usuario para ensamblar correctamente la parrilla o manipularla sin riesgos.
- **No deje desatendida la parrilla cuando esté encendida. Asegúrese de que no haya niños ni mascotas cerca de la parrilla en ningún momento.**
- No debe colocar esta parrilla sobre ningún tipo de superficie de mesa. Debe colocarla sobre una superficie plana y nivelada.
- No use la parrilla cuando haya mucho viento.

CONTENIDO DEL PAQUETE



PIEZA	DESCRIPCIÓN	CANTIDAD
A	Manija de la tapa	1
B	Conjunto de la cámara de combustión	1
C	Rejilla para calentar	1
D	Rejilla para cocinar	2
E	Protector térmico	3
F	Grasera pequeña	1
G	Grasera grande	1
H	Perilla	3
I	Conjunto de la repisa lateral izquierda	1
J	Conjunto frontal de la repisa lateral izquierda	1
K	Conjunto de la repisa lateral derecha	1
L	Conjunto frontal de la repisa lateral derecha	1
M	Conjunto del panel del lateral izquierdo del carro	1

PIEZA	DESCRIPCIÓN	CANTIDAD
N	Conjunto del panel del lateral derecho del carro	1
O	Panel de la parte trasera del carro	1
P	Conjunto de la repisa inferior del carro	1
Q	Ruedecilla	2
R	Ruedecilla con freno	2
S	Tirante frontal del carro	1
T	Conjunto de la puerta izquierda	1
U	Manija de la puerta	2
V	Conjunto de la puerta derecha	1
W	Imán	1
X	Indicador de temperatura	1
Y	Bisel del indicador de temperatura	1

PAQUETE DE TORNILLERÍA (tamaño real)

AA



Pernos
M6 x 16

Cant. 33

BB



Pernos
M4 x 12

Cant. 16

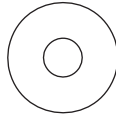
CC



Pernos
M6 x 25

Cant. 2

DD



Arandela
plana M6

Cant. 2

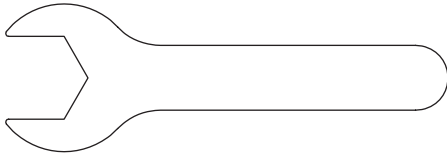
EE



Arandela de
resorte M6

Cant. 2

FF



Llave

Cant. 1

PREPARACIÓN

Antes de comenzar el ensamblaje de este producto, asegúrese de que estén todas las piezas. Compare las piezas con la lista de contenido del paquete de la página anterior y el paquete de tornillería. Si falta alguna pieza o hay una pieza dañada, no intente ensamblar el producto. Comuníquese con el servicio de atención al cliente para solicitar las piezas de repuesto.

Tiempo estimado de ensamblaje: 50 minutos entre 2 personas.

Herramientas requeridas para el ensamblaje y la prueba de detección de fugas (no incluidas): destornillador Phillips, botella con atomizador



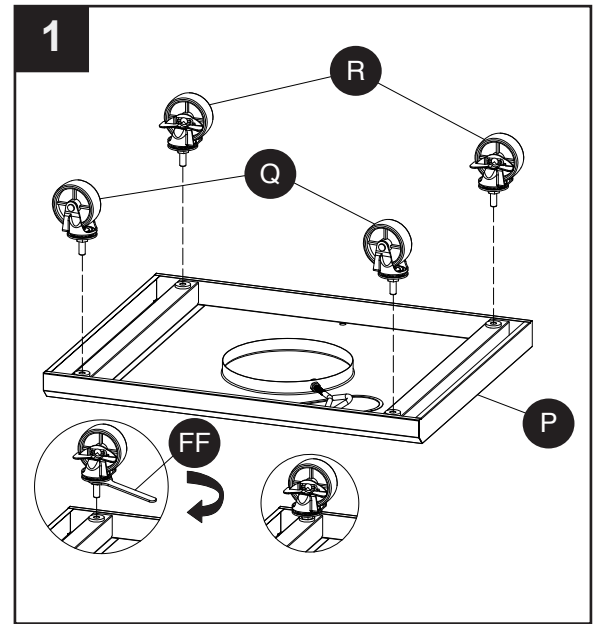
⚠ PRECAUCIÓN

ESTA UNIDAD ES PESADA. Se necesitan dos personas para realizar un ensamblaje seguro. Se necesitan dos personas para realizar un ensamblaje seguro. Algunas piezas pueden tener bordes afilados. Utilice guantes de protección si es necesario. Lea y siga todas las recomendaciones de seguridad, advertencias, instrucciones de ensamblaje e instrucciones de uso y cuidado antes de intentar ensamblar y usar la unidad.

INSTRUCCIONES DE ENSAMBLAJE

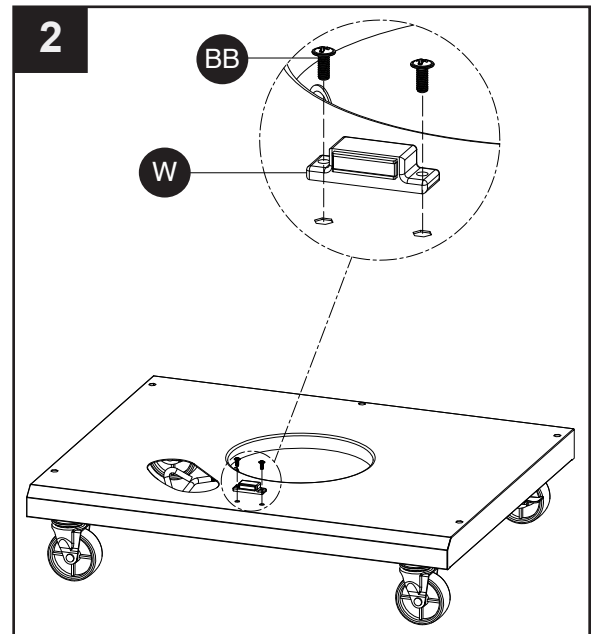
1. Fije las dos ruedecillas (Q) y las dos ruedecillas con freno (R) al conjunto de la repisa inferior del carro (P) con la llave (FF).

Tornillería utilizada



2. Fije el imán (W) al conjunto de la repisa inferior del carro (P) con dos pernos M4 × 12 (BB).

Tornillería utilizada

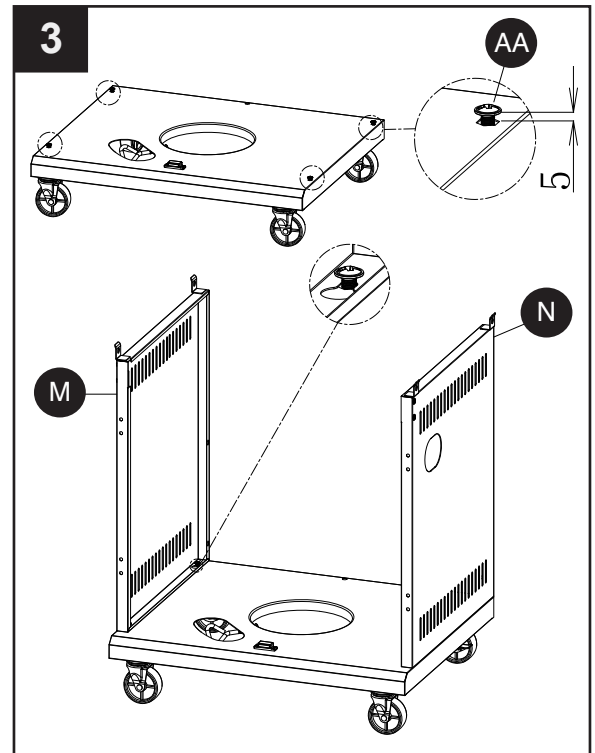
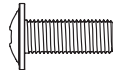


INSTRUCCIONES DE ENSAMBLAJE

3. Coloque cuatro pernos M6 × 16 (AA) en el conjunto de la repisa inferior del carro (P) sin ajustarlos. Asegúrese de dejar un espacio libre de 5 mm entre el perno y el panel. Luego cuelgue el conjunto del panel del lateral izquierdo del carro (M) y el conjunto del panel del lateral derecho del carro (N) en los pernos y ajuste los cuatro pernos.

Tornillería utilizada

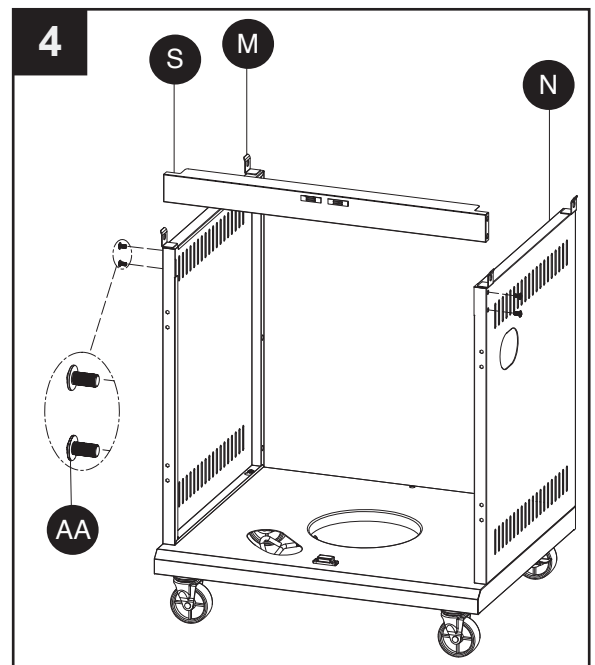
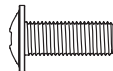
AA Pernos M6 × 16 × 4



4. Fije el tirante frontal del carro (S) al conjunto del panel del lado izquierdo del carro (M) y al conjunto del panel del lado derecho del carro (N) con cuatro pernos M6 × 16 (AA).

Tornillería utilizada

AA Pernos M6 × 16 × 4

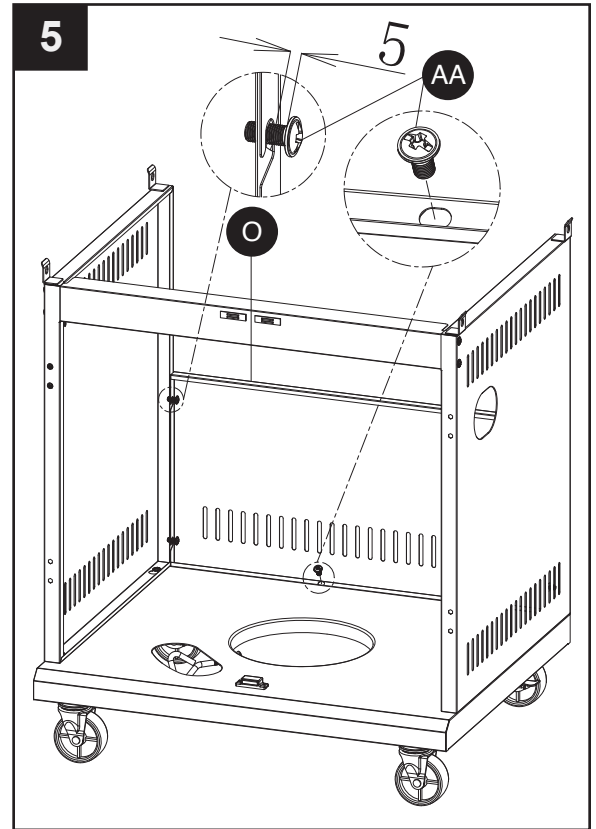


INSTRUCCIONES DE ENSAMBLAJE

5. Coloque cuatro pernos M6 × 16 (AA) en el conjunto del panel del lateral izquierdo del carro (M) y en el conjunto del panel del lateral derecho del carro (N) sin ajustarlos. Asegúrese de dejar un espacio libre de 5 mm entre el perno y el panel. Luego cuelgue el panel de la parte trasera del carro (O) en los pernos y ajuste los cuatro pernos.
- Fije el panel de la parte trasera del carro (O) al conjunto de la repisa inferior del carro (P) con un perno M6 × 16 (AA).

Tornillería utilizada

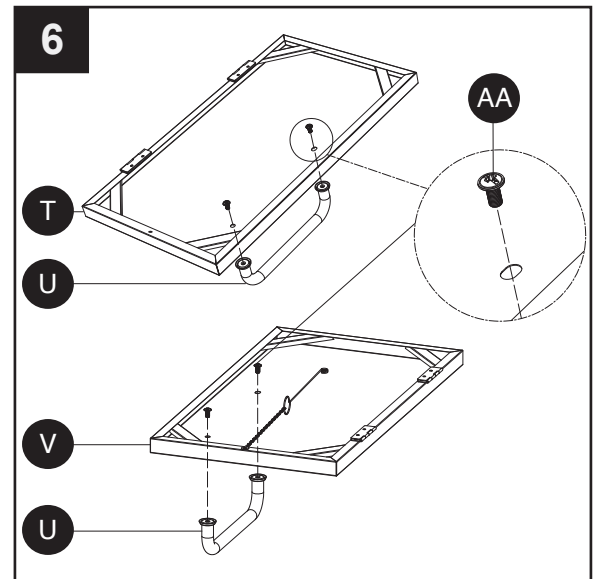
AA Pernos M6 × 16  × 5



6. Fije la manija de la puerta (U) al conjunto de la puerta izquierda (T) y al conjunto de la puerta derecha (V) con cuatro pernos M6 × 16 (AA).

Tornillería utilizada

AA Pernos M6 × 16  × 4

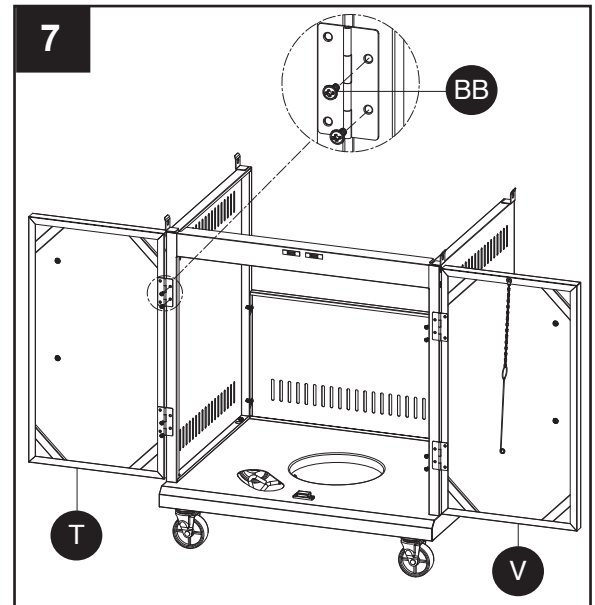


INSTRUCCIONES DE ENSAMBLAJE

7. Fije el conjunto de la puerta izquierda (T) y el conjunto de la puerta derecha (V) al conjunto del panel del lateral izquierdo del carro (M) y al conjunto del panel del lateral derecho del carro (N) con ocho pernos M4 × 12 (BB).


Tornillería utilizada

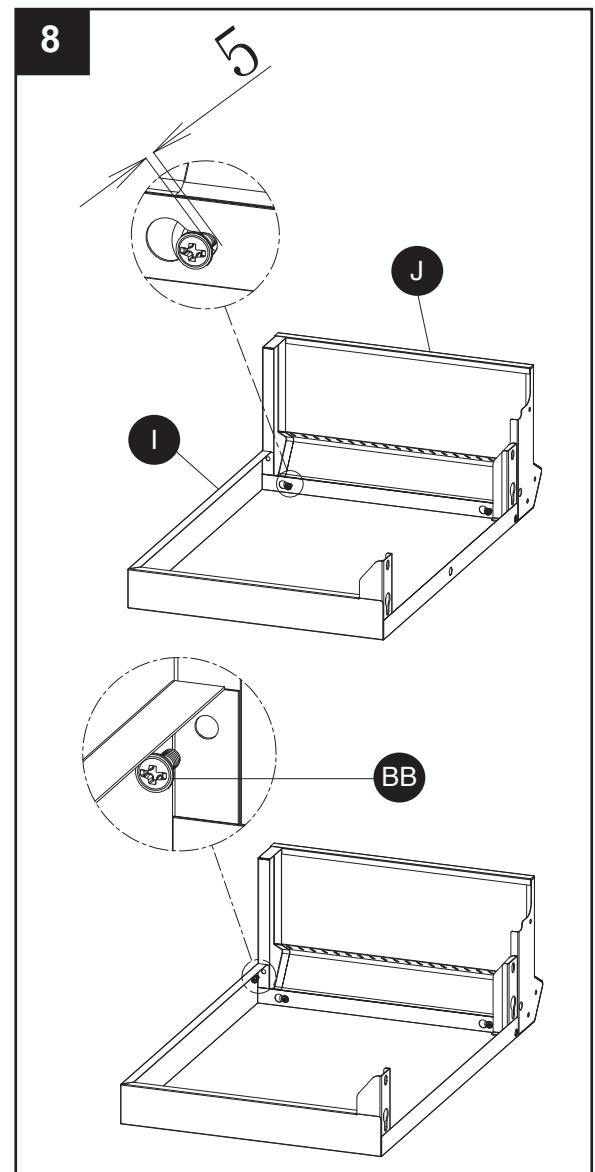
BB Pernos M4 × 12  × 8



8. Coloque dos pernos M4 × 12 (BB) en el conjunto frontal de la repisa lateral izquierda (J) sin ajustarlos. Asegúrese de dejar un espacio libre de 5 mm entre el perno y el panel. Luego cuelgue el soporte del conjunto de la repisa lateral izquierda (I) en los pernos y ajuste los dos pernos. Fije el conjunto de la repisa lateral izquierda (I) al conjunto frontal de la repisa lateral izquierda (J) con un perno M4 × 12 (BB).

Tornillería utilizada

BB Pernos M4 × 12  × 3

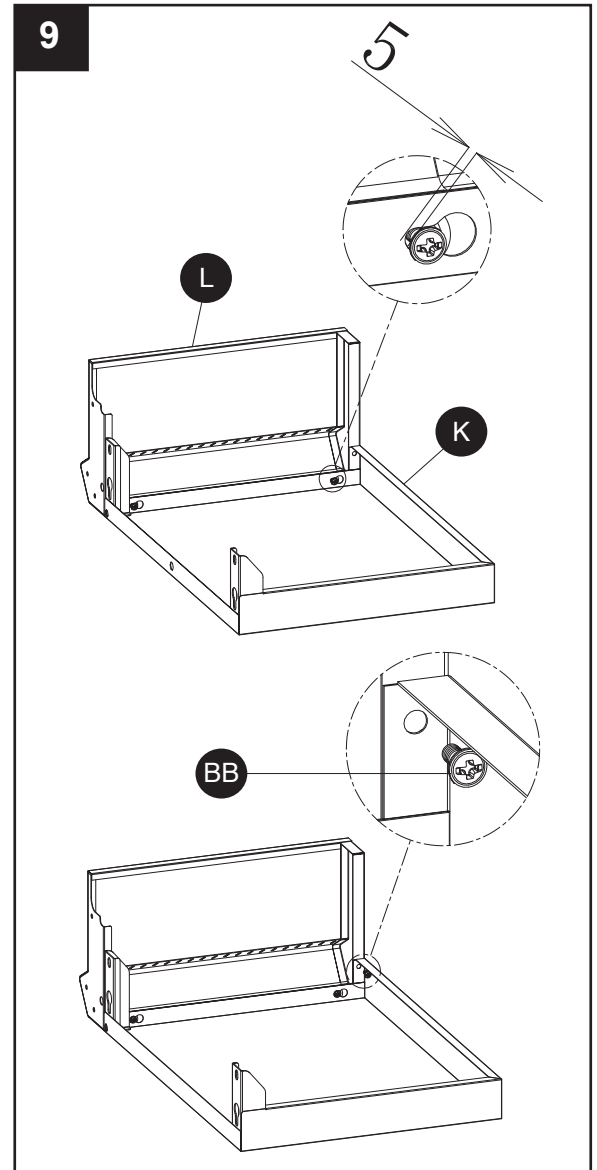


INSTRUCCIONES DE ENSAMBLAJE

9. Coloque dos pernos M4 × 12 (BB) en el conjunto frontal de la repisa lateral derecha (L) sin ajustarlos. Asegúrese de dejar un espacio libre de 5 mm entre los pernos y el panel. Luego cuelgue el conjunto de la repisa lateral derecha (K) en los pernos y ajuste los dos pernos. Fije el conjunto de la repisa lateral derecha (K) al conjunto frontal de la repisa lateral derecha (L) con un perno M4 × 12 (BB).




Tornillería utilizada

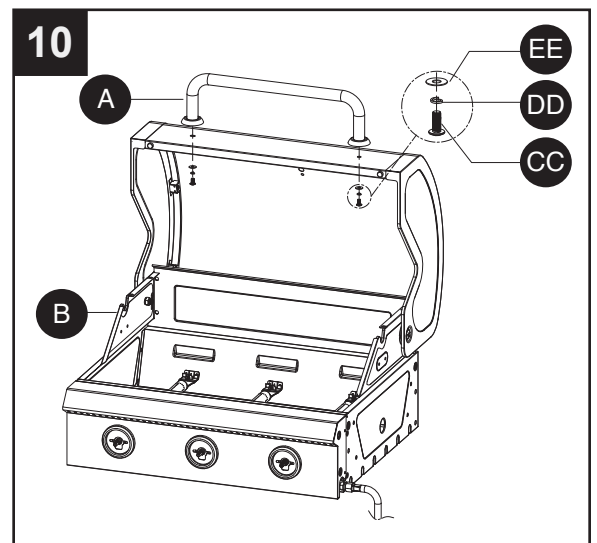
BB Pernos M4 × 12  × 3



10. Fije la manija de la tapa (A) al conjunto de la cámara de combustión (B) con dos arandelas planas M6 (DD), dos arandelas de resorte M6 (EE) y dos pernos M6 × 25 (CC).

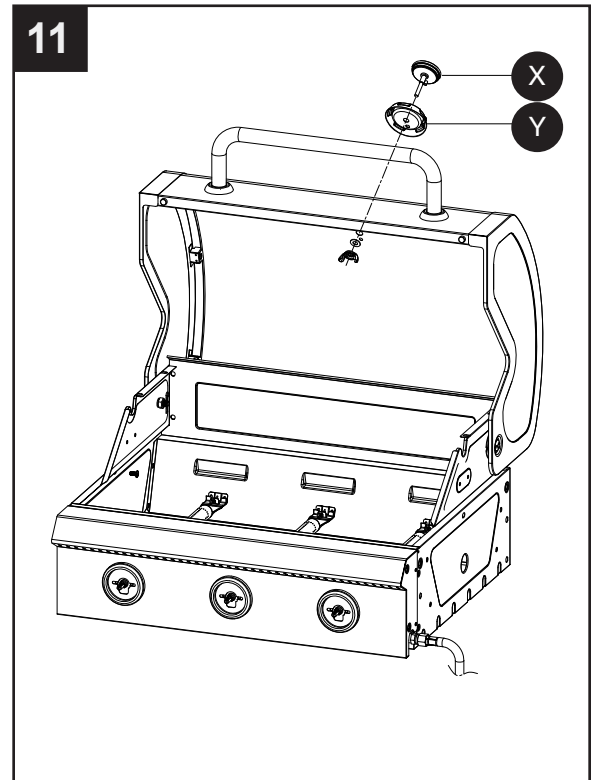
Tornillería utilizada

CC Pernos M6 × 25  × 2
DD Arandela plana M6  × 2
EE Arandela de resorte M6  × 2

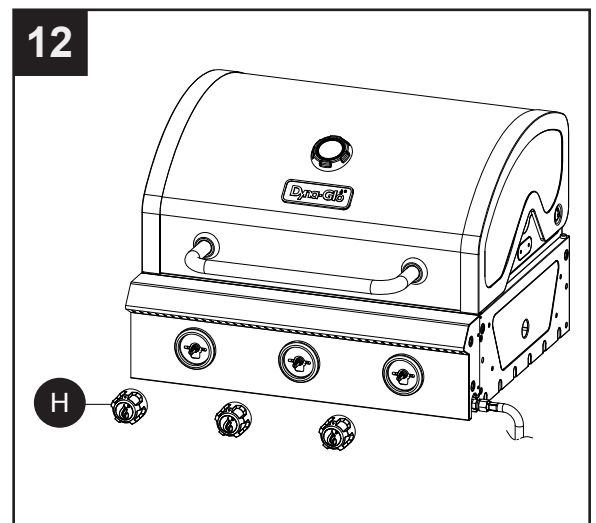


INSTRUCCIONES DE ENSAMBLAJE

11. Retire la tuerca mariposa y la arandela plana preensambladas del indicador de temperatura (X), y luego fije el indicador de temperatura (X) y el bisel del indicador de temperatura (Y) al conjunto de la cámara de combustión (B). Asegure el indicador de temperatura (X) con la tuerca mariposa y la arandela plana que se retiraron anteriormente en este paso.



12. Fije las tres perillas (H) a los vástagos de la válvula.



INSTRUCCIONES DE ENSAMBLAJE

13. Ubique cuidadosamente el conjunto de la cámara de combustión (B) en el conjunto del panel del lateral izquierdo del carro (M) y el conjunto del panel del lateral derecho del carro (N). Ajuste el conjunto de la cámara de combustión (B) de manera que los orificios en el conjunto de la cámara de combustión (B) estén alineados con los orificios en las lengüetas del conjunto del panel del lateral izquierdo del carro (M) y del conjunto del panel del lateral derecho del carro (N).
Nota: asegúrese de que el conjunto de la manguera de gas y del regulador esté fuera del carro. Asegure el conjunto de la cámara de combustión (B) con cuatro pernos M6 × 16 (AA).

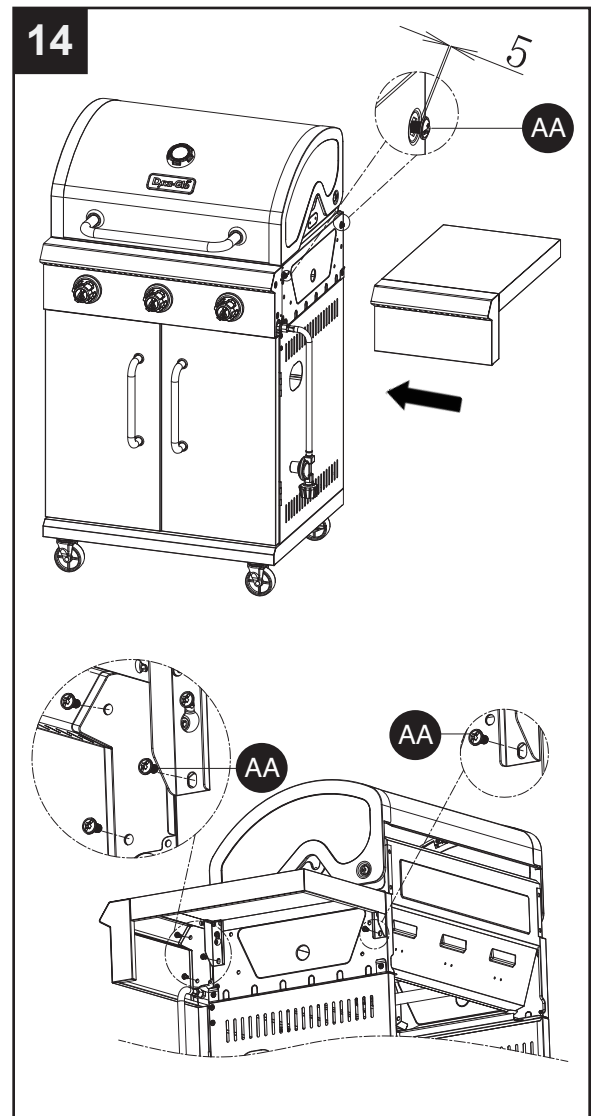
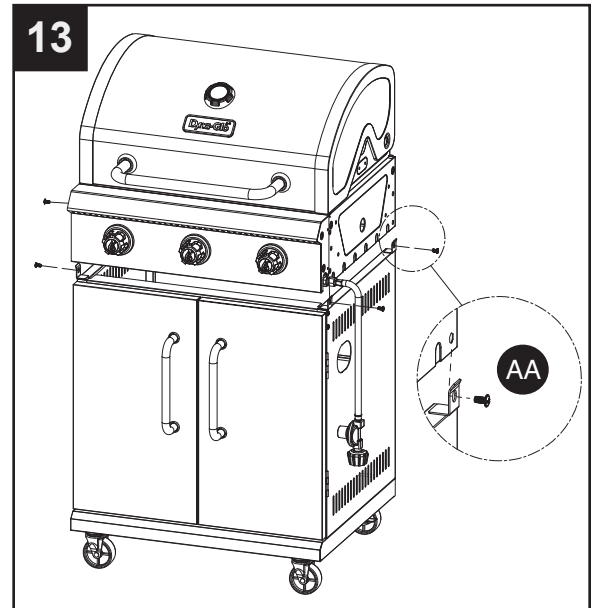
Tornillería utilizada

AA Pernos M6 × 16  × 4

14. Inserte dos pernos M6 × 16 (AA) en el lado derecho del conjunto de la cámara de combustión (B) como se muestra en la figura, dejando expuestos 5 mm de las roscas. Alinee el bocallaves en el conjunto de la repisa lateral derecha (K) con los dos pernos que se acaban de insertar en el conjunto de la cámara de combustión (B) e inserte cuatro pernos M6 × 16 (AA) en los orificios restantes en el conjunto de la cámara de combustión (B). Ajuste el conjunto de la cámara de combustión (B) correctamente, luego ajuste todos los pernos.

Tornillería utilizada


AA Pernos M6 × 16  × 6

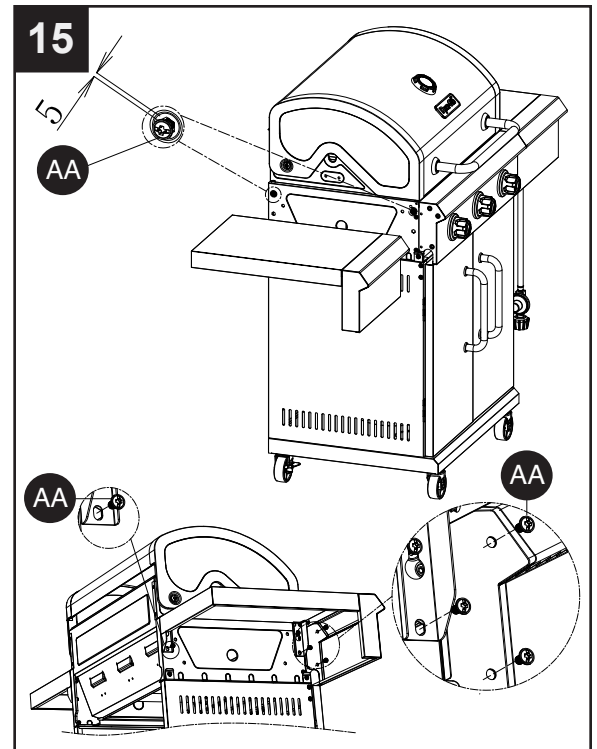


INSTRUCCIONES DE ENSAMBLAJE

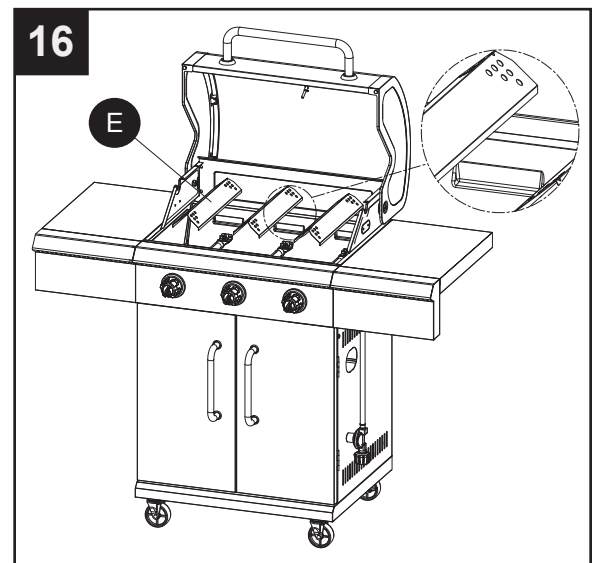
15. Inserte dos pernos M6 × 16 (AA) en el lado izquierdo del conjunto de la cámara de combustión (B) como se muestra en la figura, dejando expuestos 5 mm de las roscas. Alinee el bocallaves en el conjunto de la repisa lateral izquierda (I) con los dos pernos que se acaban de insertar en el conjunto de la cámara de combustión (B) e inserte cuatro pernos M6 × 16 (AA) en los orificios restantes en el conjunto de la cámara de combustión (B). Ajuste el conjunto de la cámara de combustión (B) correctamente, luego ajuste todos los pernos.

Tornillería utilizada

AA Pernos M6 × 16  × 6

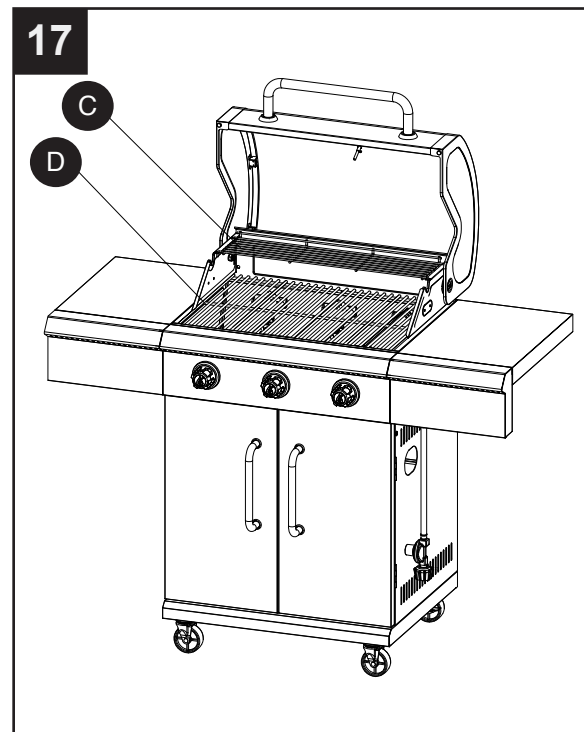


16. Coloque tres protectores térmicos (E) sobre cada quemador.

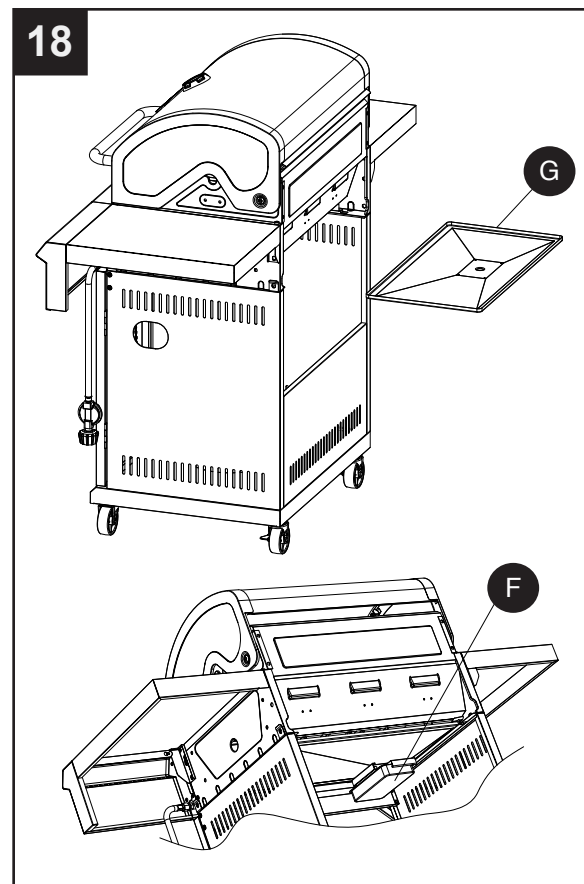


INSTRUCCIONES DE ENSAMBLAJE


17. Coloque las dos rejillas para cocinar (D) y la rejilla para calentar (C) en su lugar.

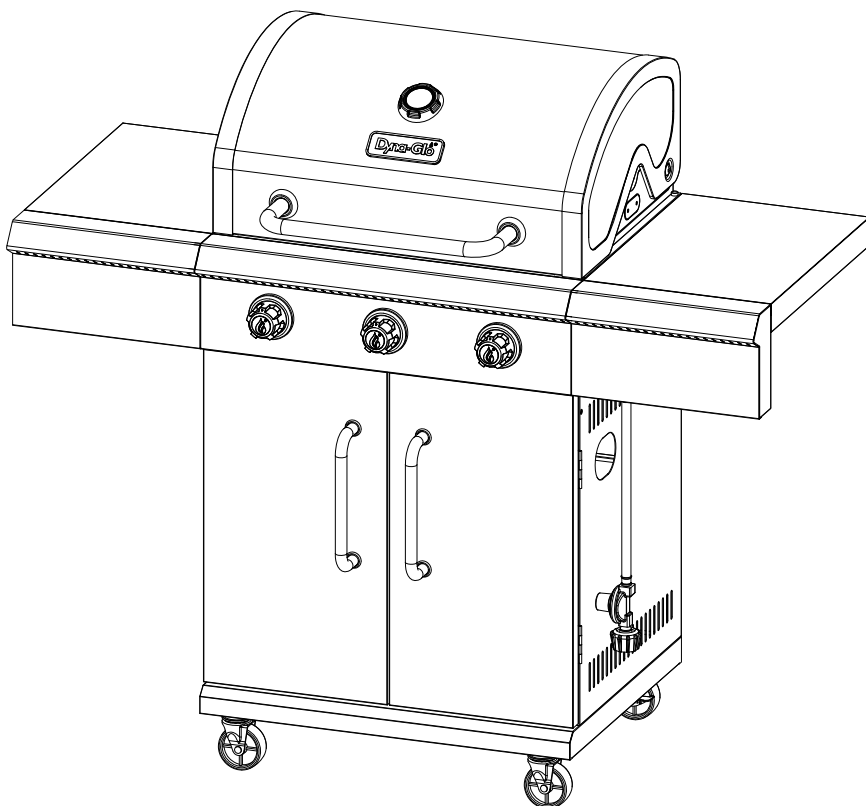


18. Ponga la grasera grande (G) y la grasera pequeña (F) en su lugar.

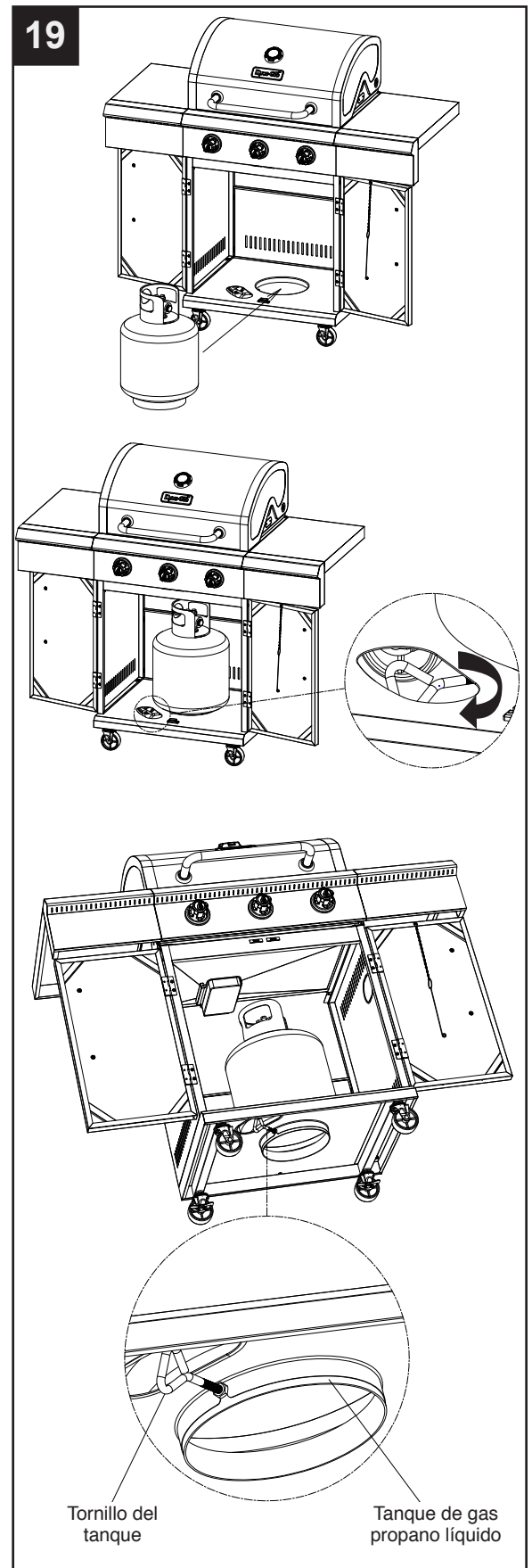


INSTRUCCIONES DE ENSAMBLAJE

19. Abra el conjunto de la puerta izquierda (T) y el conjunto de la puerta derecha (V). Ubique el tanque de gas propano líquido (se vende por separado) en el receptáculo ubicado en el conjunto de la repisa inferior del carro (P). Gire el tanque de gas propano líquido hasta que el acoplamiento de la manguera y el regulador se alinee con la válvula roscada del tanque. Ajuste con la mano el acoplamiento de la manguera y el regulador en la válvula roscada del tanque de gas propano líquido. Ajuste los tornillos del tanque en el sentido de las agujas del reloj  en la parte frente del carro hasta asegurar en su lugar el tanque de gas propano líquido dentro del receptáculo del conjunto de la repisa inferior del carro (P).



Ensamblado por completo



INSTRUCCIONES DE FUNCIONAMIENTO

VERIFICACIÓN DE FUGAS

Una vez que todas las conexiones estén listas, compruebe, con una solución de agua y jabón, que no haya fugas en ninguna de las conexiones y en ninguno de los ajustes en la válvula del tanque de gas de propano, manguera de gas y regulador.

Para prevenir incendio o explosión cuando esté comprobando que no haya fugas:

- Siempre verifique que no haya fugas antes de encender la parrilla.
- No fume mientras comprueba que no haya una fuga.
- Siempre realice las pruebas de fugas al aire libre en un área bien ventilada.
- No utilice ninguna fuente de fuego mientras verifica que no haya fugas.
- No utilice la parrilla hasta que todas y cada una de las fugas hayan sido corregidas.
- Si no puede corregir una fuga, desconecte el suministro de propano y llame al servicio técnico de un distribuidor de artefacto de gas.

REALIZAR LA PRUEBA DE FUGAS

- Prepare la solución para detección de fugas con lavavajillas líquido y agua en partes iguales. Se requiere aproximadamente un total de 2 a 3 onzas (70 - 90 ml). Coloque la solución para detección de fugas en una botella con atomizador.
- Verifique que todas las perillas de control estén en la posición **O** de APAGADO.
- Conecte la manguera de gas al suministro de gas.
- Abra la válvula del tanque de gas propano líquido.
- Rocíe la solución para detección de fugas en todos los ajustes y las conexiones por donde pase gas. La presencia de burbujas en los lugares donde se aplicó la solución de prueba indica que hay una fuga de gas. Si detecta fugas o bien, si huele gas o escucha el silbido de una fuga, cierre de inmediato la válvula de suministro de gas y repare o reemplace la pieza defectuosa. No utilice la parrilla hasta que todas las fugas hayan sido corregidas.

⚠ PRECAUCIÓN

¡Use solamente el regulador y el conjunto de la manguera provistos! Si necesita un repuesto, llame a nuestro centro de atención al cliente. No utilice piezas de repuesto que no estén diseñadas para esta parrilla.

⚠ ADVERTENCIA

SE DEBEN RESPETAR TODAS LAS INSTRUCCIONES Y MEDIDAS PREVENTIVAS DE ESTA PÁGINA PARA EVITAR INCENDIOS, DAÑOS Y/O LESIONES.

INSTRUCCIONES DE FUNCIONAMIENTO

CONECTAR EL TANQUE DE GAS

El tanque para el suministro de gas propano que se vaya a utilizar debe estar fabricado y marcado de acuerdo con las especificaciones para los tanques de gas propano líquido del Departamento de Transporte de los Estados Unidos (D.O.T.) o con las normas nacionales de Canadá CAN/CSA-B339 sobre tanques, esferas y tubos para el transporte de mercancías peligrosas; y de la puesta en servicio, según corresponda, y provisto de un dispositivo de protección contra sobrellenado registrado.

Use solamente tanques de 20 lb (altura: 18,11 pulgadas, diámetro del tanque: 9,84 pulgadas, diámetro de la base: 8,03 pulgadas) equipados con un dispositivo de conexión de tanque compatible con el conector para artefactos para cocinar en exteriores.

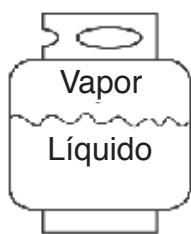
El tanque debe incluir un collarín para proteger su válvula. ¡El tanque de gas no debe dejarse caer ni manipularse bruscamente!

Si el artefacto no está en uso, el tanque de gas debe estar desconectado. El almacenamiento de un artefacto en interiores se permite SOLAMENTE si el tanque está desconectado y removido del artefacto. Los tanques deben ser almacenados al aire libre fuera del alcance de los niños y no deben ser almacenados en edificios, garajes ni áreas cerradas. El tanque no debe almacenarse en lugares donde las temperaturas puedan alcanzar más de 125 °F.

Coloque un tapón antipolvo sobre la salida de la válvula del tanque siempre que este no esté en uso. En la salida de la válvula del tanque solamente instale el tipo de tapón antipolvo que se suministra con la válvula del tanque. Otros tipos de tapas o taponos pueden causar fugas de propano.

Antes de conectar, asegúrese de que no haya suciedad atrapada en la salida del tanque de gas, en la salida de la válvula de regulación o en la salida del quemador y los puertos del quemador. Conecte la válvula de regulación y ajústela firmemente con la mano. Mantenga la válvula del tanque de gas propano cerrada y desconecte el tanque de la válvula de regulación cuando la parrilla no esté en uso.

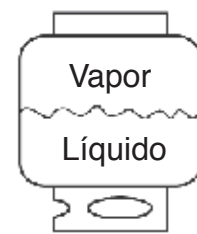
NO obstruya la circulación del aire de combustión ni la ventilación de aire de la parrilla. El tanque de propano debe colocarse de tal manera que permita la liberación de vapor y debe estar equipado con un dispositivo de protección contra sobrellenado que esté registrado. Coloque el tanque en la orientación correcta para que se libere el vapor. NOTA: el tanque debe estar completamente en posición vertical para que el tanque libere únicamente vapor.



Correcto



Incorrecto



Incorrecto

⚠ PRECAUCIÓN

- No almacene un tanque de gas propano líquido de repuesto debajo o cerca de este artefacto.**
- Nunca llene el tanque por encima del 80 % de su capacidad.**
- Si no se sigue exactamente la información contenida en (a) y (b), puede producirse un incendio y ocasionar la muerte o lesiones graves.**

INSTRUCCIONES DE FUNCIONAMIENTO

NOTA: otros tanques podrían ser aceptados para su uso con este artefacto siempre y cuando sean compatibles con el receptáculo y sistema de fijación del artefacto. Consulte el paso 19 de las Instrucciones de ensamblaje para ver cómo es la conexión correcta entre el tanque y el soporte del tanque.

! ADVERTENCIA

SE DEBEN RESPETAR TODAS LAS INSTRUCCIONES Y MEDIDAS PREVENTIVAS DE ESTA PÁGINA PARA EVITAR INCENDIOS, DAÑOS Y/O LESIONES.

CONEXIÓN DEL TANQUE DE GAS PROPANO LÍQUIDO

1. La perilla del tanque de gas propano líquido debe estar cerrada. Asegúrese de que la perilla esté completamente girada en el sentido de las agujas del reloj ↻. El sistema de suministro del tanque debe disponer de liberación de vapor.
2. Verifique que la perilla de control en la unidad de control esté cerrada.
3. Quite el tapón protector de la válvula del tanque y la tuerca de acoplamiento.
4. Sujete el regulador en una mano e inserte la boquilla roscada en la salida de la válvula. Asegúrese de que la boquilla roscada esté centrada en la salida de la válvula. La tuerca de acoplamiento se conecta a las roscas grandes exteriores en la salida de la válvula. Tenga cuidado de no dañar ni colocar descentradas las roscas de la conexión.
5. Apriete la tuerca de acoplamiento con la mano girando en el sentido de las agujas del reloj ↻ hasta que se detenga completamente. Apriete bien, únicamente con la mano. No utilice herramientas.
Para desconectar: cierre completamente la válvula del tanque girando en el sentido de las agujas del reloj ↻. Gire la tuerca de acoplamiento en sentido contrario a las agujas del reloj ↻ hasta que se separe el ensamblaje del regulador.



! ADVERTENCIA

Durante el proceso de conexión, asegúrese de que:

- El conector de la entrada del regulador se acople con la salida de la válvula del tanque correcta, segura y firmemente.
- La manguera de gas propano líquido no esté en contacto ni quede en contacto con la cámara de combustión.

INSTRUCCIONES DE FUNCIONAMIENTO

Encender la parrilla

Antes de utilizar la unidad por primera vez:



Quite todas las presillas o las fajas de plástico, si están presentes. Es importante que limpie su nueva parrilla a gas con calor antes de utilizarla por primera vez. Para esto, ponga en funcionamiento la parrilla durante aproximadamente 15 minutos, con la tapa cerrada, y la perilla de control en la posición de llama máxima. De esta manera, se limpiarán las piezas internas al quemar los residuos y olores que queden del proceso de fabricación.

⚠ PRECAUCIÓN

Si la llama se apaga accidentalmente durante el encendido o durante el funcionamiento, CIERRE inmediatamente la válvula del tanque y luego CIERRE la perilla de control.

⚠ ADVERTENCIA

No se apoye sobre la parrilla cuando la esté encendiendo. Lea las instrucciones antes de encenderla. No coloque ollas en el quemador lateral para dorar. Usar ollas en el quemador lateral para dorar puede causar altos niveles de monóxido de carbono.

1. Verifique que las perillas de control estén en la posición **○** de APAGADO.
2. Abra completamente la válvula del tanque girándola en sentido contrario a las agujas del reloj .
3. Abra la tapa durante el procedimiento de encendido.
4. Oprima la perilla de control y gírela en sentido contrario a las agujas del reloj  desde la posición **○** de APAGADO, pasando por la posición **⚡** de encendido hasta la posición de LLAMA MÁXIMA **🔥**. Es posible que este proceso deba repetirse varias veces para encender el quemador.

Si este no se enciende en 5 segundos, gire la(s) perilla(s) de control a la posición **○** de APAGADO, espere 5 minutos y repita el procedimiento de encendido.

Si el quemador no se enciende, verifique que haya gas en el tanque y siga las instrucciones de encendido con un fósforo. Consulte la Guía de solución de problemas en la página 83 para obtener más información.

INSTRUCCIONES DE FUNCIONAMIENTO

ENCENDER LA PARRILLA CON UN FÓSFORO

1. Abra la tapa.
2. Inserte un fósforo en el extremo del portafósforo que está instalado dentro de la puerta del gabinete.
3. Encienda el fósforo.
4. Coloque inmediatamente el fósforo encendido en las rejillas de la parrilla, cerca de los puertos del quemador, entre los protectores térmicos, como se muestra en la figura. Asegúrese de que el fósforo encendido esté cerca de los puertos del quemador.
5. Presione la perilla de control que acciona el quemador y gírela en sentido contrario a las agujas del reloj ↶ hasta la posición de llama máxima 🔥. El quemador debería encenderse de inmediato.
6. Repita los pasos 2 a 5 para encender el resto de los quemadores.
7. Ajuste los quemadores a los valores de cocción deseados.

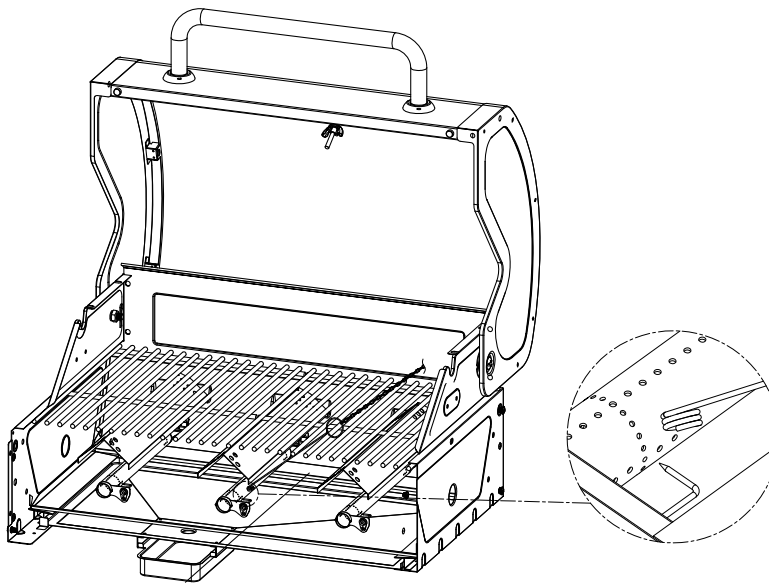
⚠ PRECAUCIÓN

Asegúrese de que todos los controles de los quemadores estén apagados, a excepción del quemador que va a encender y los quemadores que ya se encendieron.

⚠ ADVERTENCIA

Si este no se enciende en 5 segundos, gire la(s) perilla(s) de control a la posición de APAGADO "O", espere 5 minutos y repita el procedimiento de encendido.

Encendido con fósforo del quemador principal



INSTRUCCIONES DE APAGADO

1. Gire las perillas de control en el sentido de las agujas del reloj ↷ hasta la posición de APAGADO O.
2. Cierre completamente la válvula del tanque girándola en el sentido de las agujas del reloj ↷.
3. Cierre la tapa.

Cierre el suministro de gas propano líquido del tanque cuando el artefacto no esté en uso.

CUIDADO Y MANTENIMIENTO

Rejillas para cocinar

El mejor momento para limpiar con calor las rejillas de la parrilla es después de cada uso (aproximadamente 15 minutos). La parrilla ya está caliente luego de cocinar y, por lo tanto, requiere menos combustible para llegar a la temperatura necesaria para limpiar con calor.

Para limpiar con calor su parrilla, lleve los quemadores a la posición de llama máxima y déjelos funcionar así durante 15 minutos con la tapa cerrada. Apague los quemadores y utilice un cepillo de alambre para limpiar los restos de alimentos de las rejillas.

Las rejillas tienen un acabado de porcelana esmaltada (similar al vidrio) y deben manipularse con cuidado para no se dañen.

⚠ PRECAUCIÓN

Verifique que la parrilla esté fría antes de limpiarla y de realizar el mantenimiento. Cuide además que el suministro de gas esté cerrado en el tanque de gas propano líquido.

Elementos de limpieza recomendados

Lavavajillas líquido suave, agua caliente, esponja de fibra de nylon, cepillo de alambre.
NO utilice limpiadores que contengan ácido, minerales ni sustancias abrasivas.

Superficies exteriores

Se recomienda utilizar solo lavavajillas suave y agua caliente para limpiar la parrilla y sus piezas. Enjuague con agua caliente.

Bandeja inferior interna del cuerpo de la parrilla

Para evitar que se produzcan llamaradas, la parte inferior de la parrilla se debe limpiar regularmente. Retire el residuo con un cepillo, una espátula o un paño de limpieza. Limpie con lavavajillas suave y agua caliente. Enjuague con agua caliente. Evite salpicar agua en los tubos de Venturi de los quemadores.

Protectores térmicos

Limpie los residuos con el cepillo de alambre y lave con lavavajillas suave y agua caliente. Enjuague con agua caliente.

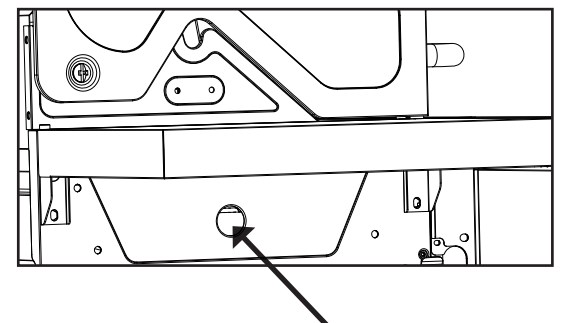
Grasera pequeña

Vacíe la grasera pequeña y límpiela regularmente con lavavajillas suave y agua caliente.

Verificar la llama

Para lograr máxima eficiencia del combustible y mejor rendimiento al cocinar, la llama debe ser de color azul-amarilla y tener entre 1 y 2 pulgadas de alto.

Para controlar la llama, obsérvela por los orificios ubicados a ambos lados de la cámara de combustión.



Orificio para ver la llama



CUIDADO Y MANTENIMIENTO

Conjunto del quemador

Retirar el conjunto del quemador

1. Asegúrese de que todas las perillas de control estén en la posición de APAGADO, la válvula de suministro de gas esté cerrada y la manguera de gas esté desconectada del suministro de gas.
2. Abra la tapa y retire la rejilla para calentar, las rejillas para cocinar, y los protectores térmicos.
3. Retire las varillas de la bisagra, como se muestra en la Figura 1.
4. Quite los quemadores principales de la cámara de combustión.
5. Desconecte el cable de encendido del electrodo (Figura 2).

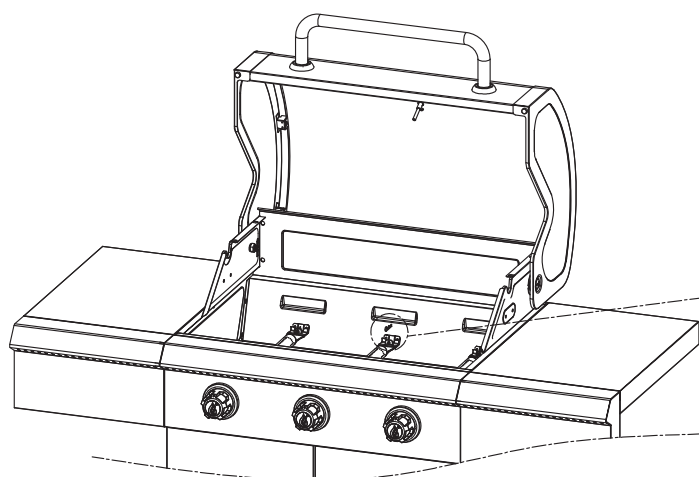
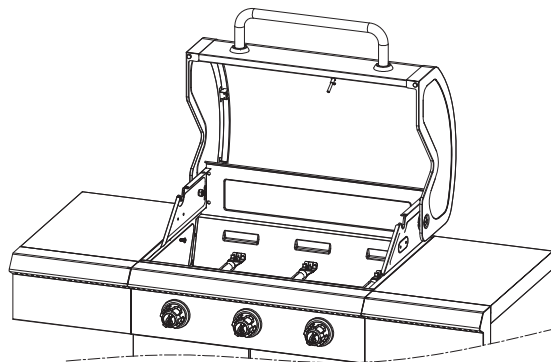
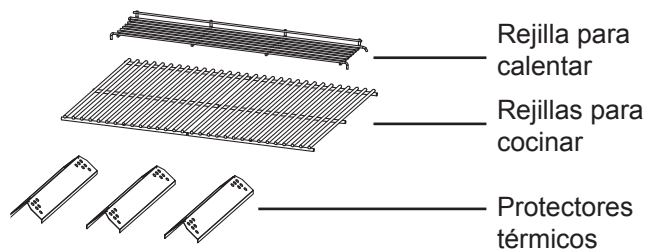
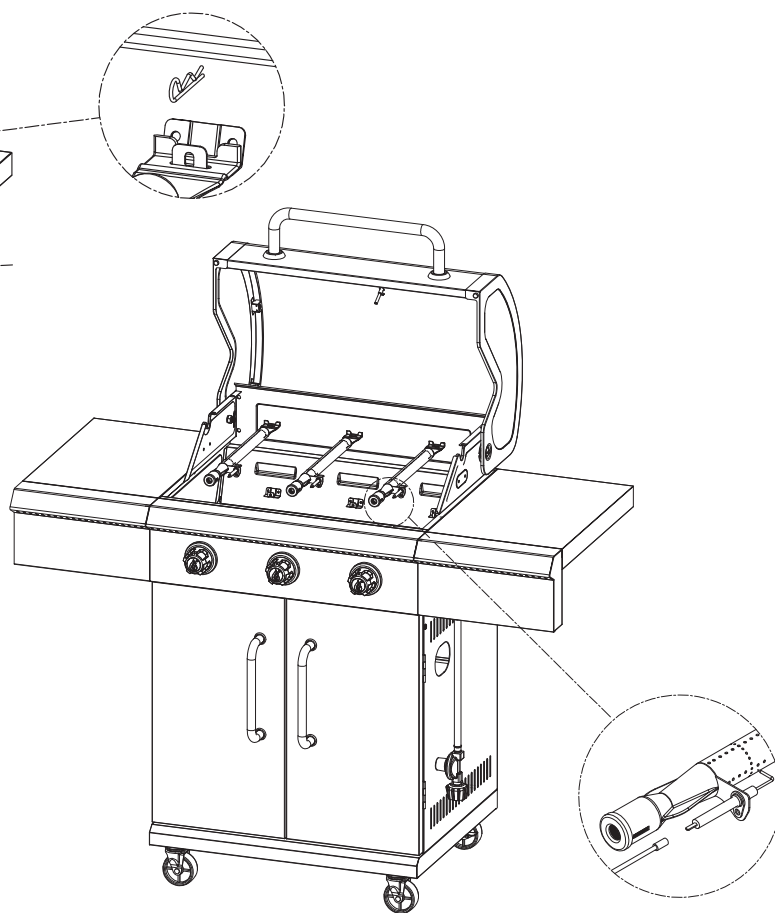


Figura 1



CUIDADO Y MANTENIMIENTO

Limpiar el conjunto del quemador

– Asegúrese de que la parrilla esté fría.

1. Verifique que todos los puertos del quemador estén libres de obstrucciones. También funciona si usa un pasador o sujetapapeles.
2. Asegúrese de que el quemador esté libre de daños. Si encuentra algún daño, reemplácelo por uno nuevo.
3. Asegúrese de que el extremo del quemador y la pantalla de aire principal estén libres de nidos de insectos, suciedad o tierra.

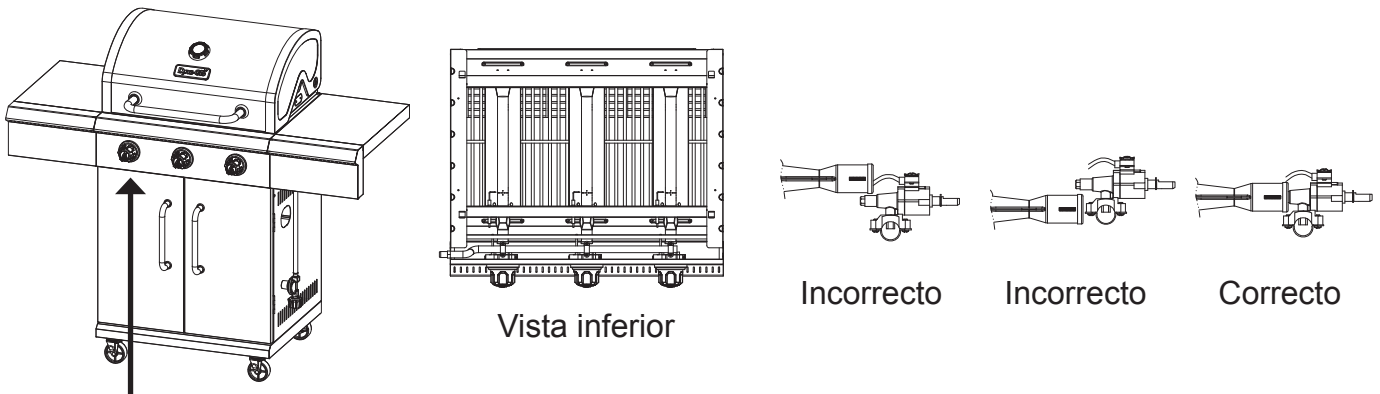
Volver a instalar el quemador

Verifique que los orificios de la válvula de gas estén posicionados correctamente dentro de la entrada del quemador interior (Venturi).

Es posible que deba utilizar una linterna para asegurarse de que la posición sea la correcta.

Se recomienda visualizar la posición correcta a través de los orificios de ventilación de la cámara de combustión, tal como se ilustra a continuación.

Vuelva a conectar cada quemador con el pasador de la bisagra y vuelva a conectar el cable de encendido al electrodo.



Observe la posición correcta desde la parte inferior de la cámara de combustión

⚠ ADVERTENCIA

Si no se siguen las instrucciones anteriores, podría producirse un incendio o una explosión, lo que puede provocar lesiones graves o la muerte.

Otros procedimientos de cuidado y mantenimiento

Se recomienda que un técnico calificado inspeccione y repare todos los años este artefacto.

Le recomendamos que antes de encenderlo, verifique siempre que la zona exterior donde se encuentra el artefacto para cocinar esté limpia y libre de material combustible, gasolina, y otros vapores y líquidos inflamables.

Se aconseja revisar con regularidad que el flujo de combustión y el aire de ventilación no estén obstruidos.

Se recomienda que verifique con regularidad que las aberturas de ventilación del gabinete de la parrilla estén libres de suciedad.

Aconsejamos que revise y limpie con regularidad el quemador/los tubos Venturi para que no haya insectos ni nidos de insectos. Un tubo obstruido puede ocasionar un incendio debajo de la parrilla.

SOLUCIÓN DE PROBLEMAS

Si tiene alguna pregunta sobre el producto, llame al Departamento de Atención al Cliente al 1-877-447-4768, de lunes a viernes de 8:00 a. m. a 4:30 p. m. (hora central estándar).

PROBLEMA	CAUSA POSIBLE	ACCIÓN CORRECTIVA
El quemador no se enciende con el procedimiento de encendido (se produce una chispa débil o no se produce ninguna chispa).	<ol style="list-style-type: none">1. El electrodo de encendido podría estar cubierto de grasa o residuos.2. El electrodo de encendido podría tener un cable suelto o desconectado.3. Electrodo de encendido roto o dañado.	<ol style="list-style-type: none">1. Limpie el electrodo de encendido.2. Revise la conexión y vuelva a conectar los cables sueltos o desconectados.3. Reemplace el electrodo de encendido (consulte la Lista de piezas de repuesto).
Bajo nivel de calentamiento.	<ol style="list-style-type: none">1. Presión de gas insuficiente para la unidad.	<ol style="list-style-type: none">1. Llame a una agencia de servicio calificada para verificar la presión del suministro de gas y corregirla.
Demasiadas llamaradas.	<ol style="list-style-type: none">1. Acumulación de grasa y/o residuo en los protectores térmicos o en la cámara de combustión.2. Goteo excesivo de grasa o adobos de la comida.3. La temperatura de cocción es demasiado elevada.	<ol style="list-style-type: none">1. Limpie los componentes de la parrilla.2. Retire la grasa de la carne y utilice adobos que no sean a base de aceite.3. Disminuya la temperatura según corresponda.

SOLUCIÓN DE PROBLEMAS

PROBLEMA	CAUSA POSIBLE	ACCIÓN CORRECTIVA
<p>El quemador no se enciende con un fósforo.</p>	<ol style="list-style-type: none"> 1. El fósforo no llega a los quemadores (cuando sostiene el fósforo con la mano). 2. El tanque está vacío. 3. Conexión deficiente entre el regulador de la válvula y el acoplamiento del tanque de gas propano líquido. 4. La entrada del quemador está bloqueada. 	<ol style="list-style-type: none"> 1. Use el portafósforo que se encuentra en la puerta del gabinete. 2. Verifique el nivel de combustible y llene el tanque si es necesario. 3. Apague las perillas de la parrilla, cierre la válvula del tanque de gas propano líquido en la parte superior del tanque y revise la conexión entre la válvula del regulador y el acoplamiento del tanque. Desconecte el tanque y vuelva a conectarlo, si es necesario. 4. Limpie la entrada del quemador (Venturi) y el quemador como se indica en la sección de Cuidado y mantenimiento del manual.
	<ol style="list-style-type: none"> 1. La válvula del tanque está cerrada o no está totalmente abierta. 2. El tanque está vacío. 3. Conexión deficiente entre el regulador de la válvula y el acoplamiento del tanque de gas propano líquido. 4. La entrada del quemador está bloqueada. 	<ol style="list-style-type: none"> 1. Abra completamente la válvula del tanque girándola en sentido contrario a las agujas del reloj. 2. Compruebe el nivel de combustible y coloque más combustible si es necesario. 3. Apague las perillas de la parrilla, cierre la válvula del tanque de gas propano líquido en la parte superior del tanque y revise la conexión entre la válvula del regulador y el acoplamiento del tanque. Desconecte el tanque y vuelva a conectarlo, si es necesario. 4. Limpie la entrada del quemador (Venturi) y el quemador como se indica en la sección de Cuidado y mantenimiento del manual.

GARANTÍA LIMITADA

Garantía limitada por 1 año

Esta parrilla de gas propano líquido tiene garantía por 1 año (5 años en los quemadores de acero inoxidable) contra piezas rotas o dañadas en el momento de la compra. Se garantiza que está libre de defectos. La pintura tiene una garantía contra defectos, a excepción del óxido, que podría aparecer después de varios usos.

Esta garantía no cubre los daños o problemas relacionados con la negligencia, el uso indebido o las modificaciones al artefacto. El trabajo de reparación no está cubierto.

Todas las piezas que cumplan con los requisitos de la garantía serán enviadas sin cargo a discreción del fabricante (envíos terrestres, correo de EE. UU. o servicio de encomiendas ÚNICAMENTE). Los cargos de entrega especial (es decir, entrega de segundo día, antes del mediodía, etc.) serán responsabilidad del consumidor.

Todos los reclamos en virtud de la garantía solo se aplican al comprador original y requieren una prueba de la compra que verifique la fecha de compra. No devuelva piezas sin antes obtener el número de autorización de devolución emitido por nuestro servicio al cliente. Este servicio está disponible a través del número gratuito 1-877-447-4768, de lunes a viernes de 8:00 a. m. a 4:30 p. m. (hora central estándar).

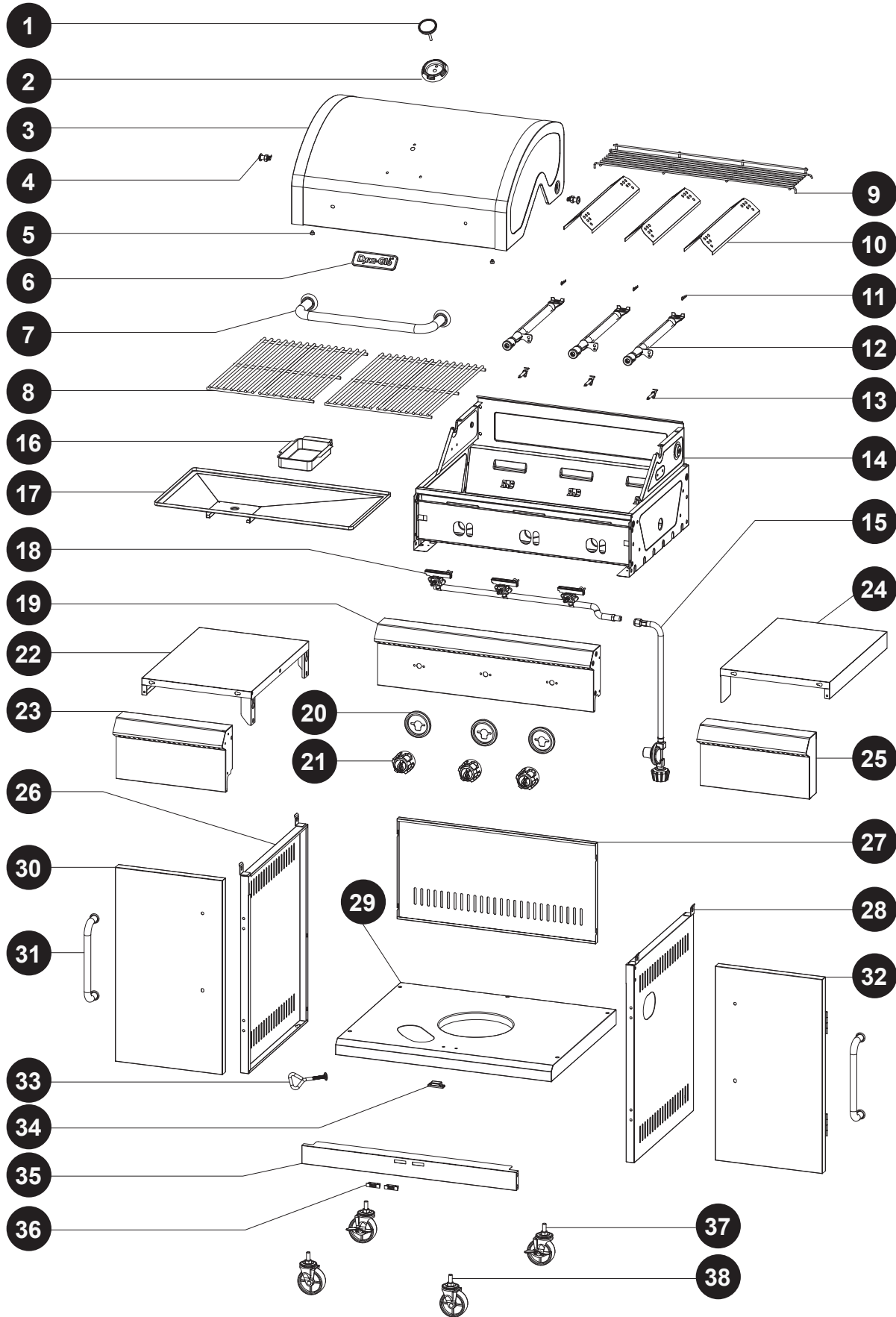
AVISO: algunos estados no permiten la exclusión ni limitación por daños incidentales o indirectos por el tiempo que dura una garantía implícita. Por lo tanto, es posible que las limitaciones o exclusiones mencionadas no se apliquen en su caso. Esta garantía otorga derechos legales específicos, y podría haber otros derechos legales aplicables según el estado.

GHP Group Inc.
6440 W. Howard Street
Niles, IL, EE. UU.
60714-3302

Nombre del artículo: Parrilla premier con 3 quemadores para gas
N.º de modelo: DGG424CNP/DGG424CNP-D/DGG424RNP/DGG424RNP-D
Total nominal de BTU del quemador principal: 36.000 BTU/h

LISTA DE PIEZAS DE REPUESTO

Para obtener las piezas de repuesto, llame a nuestro Departamento de Atención al Cliente al 1-877-447-4768, de lunes a viernes de 8:00 a. m. 4:30 p. m. (hora central estándar).



LISTA DE PIEZAS DE REPUESTO

Para obtener las piezas de repuesto, llame a nuestro Departamento de Atención al Cliente al 1-877-447-4768, de lunes a viernes de 8:00 a. m. 4:30 p. m. (hora central estándar).

PIEZA	DESCRIPCIÓN	N.º DE PIEZA Rojo DGG424RNP / DGG424RNP-D	N.º DE PIEZA Negro DGG424CNP / DGG424CNP-D
1	Indicador de temperatura	70-02-264	70-02-264
2	Bisel del indicador de temperatura	70-02-265	70-02-265
3	Conjunto de la tapa	70-02-266	70-02-298
4	Bisagra de la tapa (con tuerca y presilla)	70-01-641	70-01-641
5	Tope	70-01-176	70-01-176
6	Placa	104-22006	104-22006
7	Manija de la tapa	70-02-268	70-02-268
8	Rejilla para cocinar	70-02-269	70-02-269
9	Rejilla para calentar	70-02-270	70-02-270
10	Protector térmico	70-02-561	70-02-561
11	Pasador R	70-02-562	70-02-562
12	Quemador principal	70-02-273	70-02-273
13	Encendedor del quemador principal	70-02-274	70-02-274
14	Conjunto de la cámara de combustión (con pantalla térmica y soporte del quemador)	70-02-275	70-02-275
15	Regulador	70-01-647	70-01-647
16	Grasera pequeña	70-01-187	70-01-187
17	Grasera grande	70-02-277	70-02-277
18	Conjunto del colector y las válvulas principales	70-02-278	70-02-278
19	Panel de control soldado	70-02-279	70-02-279
20	Bisel de la perilla	70-01-184	70-01-184
21	Perilla	70-02-280	70-02-280
22	Conjunto de la repisa lateral izquierda	70-02-281	70-02-281
23	Conjunto frontal de la repisa lateral izquierda	70-02-282	70-02-282
24	Conjunto de la repisa lateral derecha	70-02-283	70-02-283
25	Conjunto frontal de la repisa lateral derecha	70-02-284	70-02-284
26	Conjunto del panel del lateral izquierdo del carro	70-02-285	70-02-285
27	Panel de la parte trasera del carro	70-02-286	70-02-286
28	Conjunto del panel del lateral derecho del carro	70-02-287	70-02-287
29	Conjunto de la repisa inferior del carro	70-02-288	70-02-288
30	Conjunto de la puerta izquierda	70-02-289	70-02-299
31	Manija de la puerta	70-02-290	70-02-290
32	Conjunto de la puerta derecha (con portafósforo)	70-02-291	70-02-300
33	Conjunto de la rosca superior del tanque	70-02-563	70-02-563
34	Imán	70-02-293	70-02-293
35	Tirante frontal del carro	70-02-294	70-02-294
36	Imán superior de la puerta	70-02-295	70-02-295
37	Ruedecilla con freno	70-05-101	70-05-101
38	Ruedecilla	70-05-100	70-05-100
	Paquete de tornillería	70-09-542	70-09-542