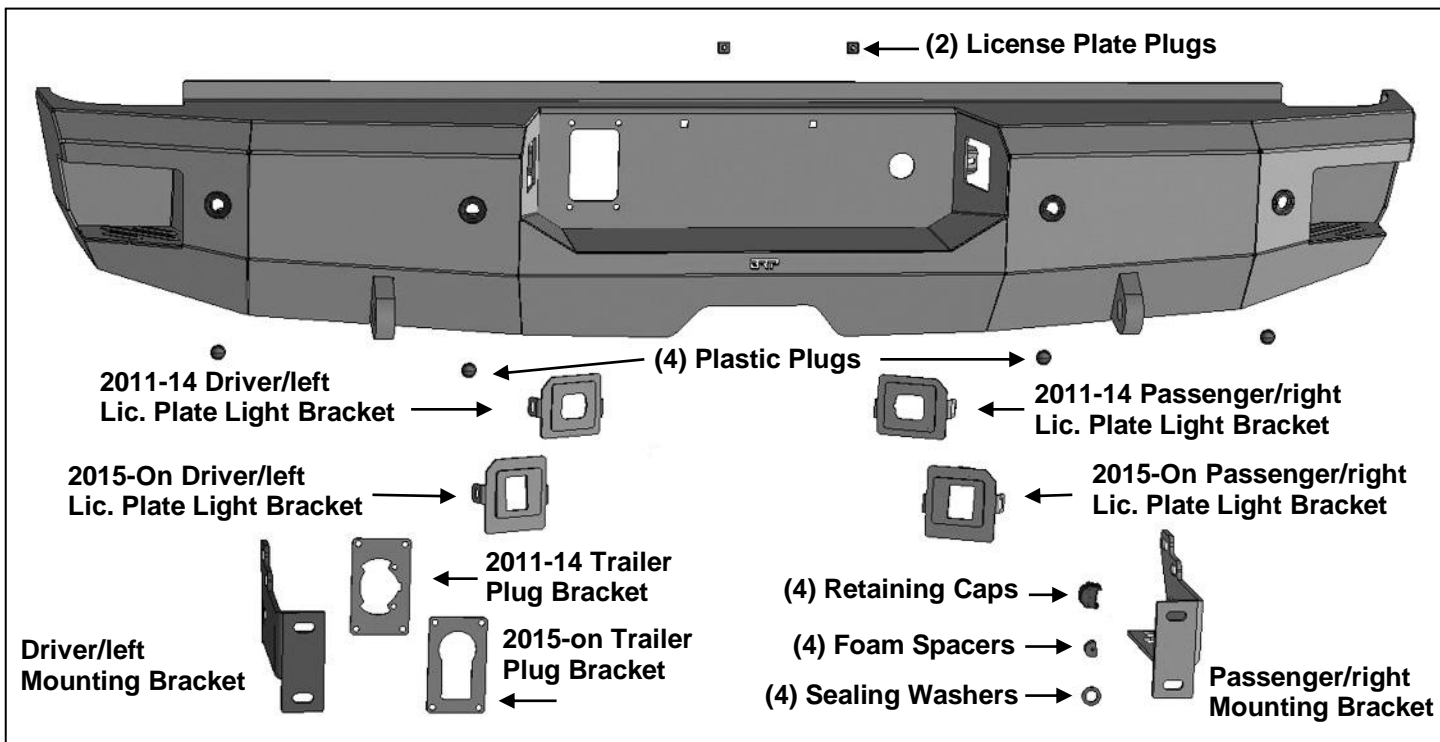


**BRP PREMIER REAR BUMPER
2011-19 CHEVY SILVERADO 25-3500**

PARTS LIST:

1	Premier Rear Bumper	12	14mm x 28mm x 2.5mm Flat Washers
1	Driver/left Mounting Bracket	6	14mm Lock Washers
1	Passenger/right Mounting Bracket	6	14mm Hex Nuts
1	Driver/left (2011-14) Lic. Plate Light Bracket	4	12mm x 40mm Hex Bolts
1	Passenger/right (2011-14) Lic. Plate Light Bracket	8	12mm x 37mm x 3mm Flat Washers
1	Driver/left (2015-19) Lic. Plate Light Bracket	4	12mm Lock Nuts
1	Passenger/right (2015-19) Lic. Plate Light Bracket	4	12mm Hex Nuts
1	2015+ Trailer Plug Wire Harness Bracket	2	10-1.5mm x 50mm Hex Bolts
1	2011-14 Trailer Plug Wire Harness Bracket	4	10mm x 34mm x 3mm Flat Washers
2	Self-Tapping Screws (11-14 trailer plug)	2	10mm Lock Washers
4	Sensor Retaining Caps	2	10mm Hex Nuts
4	Sensor Sealing Washers	4	6mm x 20mm Carriage Bolts
4	20mm x 10mm Foam Spacers	4	6mm x 20mm Button Head Bolts
4	Sensor Hole Plugs	12	6mm x 12mm x 1.6mm Flat Washers
1	Sensor Covers Kit	8	6mm Nylon Lock Nuts
2	License Plate Plugs	8	4mm Self Tapping Screws
6	14-2.0mm x 45mm Hex Bolts	1	4mm Wrench



PROCEDURE:

REMOVE CONTENTS FROM BOX. VERIFY ALL PARTS ARE PRESENT. READ INSTRUCTIONS CAREFULLY BEFORE STARTING INSTALLATION. BUMPER IS HEAVY, ASSISTANCE IS HIGHLY RECOMMENDED TO AVOID POSSIBLE INJURY OR DAMAGE TO THE VEHICLE.

1. Remove the license plate. Unplug all wiring harnesses leading to the bumper. Release the wiring harness from the clips attached to the back of the bumper and move harness away from bumper as necessary.
2. Place blocks or jack stands under the bumper to support it during mounting bolt removal. **NOTE:** Bumper may be attached to top of factory tow hitch, **(Figure 1)**. Remove these (2) hex bolts first if equipped. Release the plastic clips attaching the plastic cover to the steel bumper. Remove cover and hardware attaching the bumper to the bumper brackets. With assistance, remove the outer steel bumper, then remove the hex bolts attaching the brackets to the frame and slide the brackets out of the

**BRP PREMIER REAR BUMPER
2011-19 CHEVY SILVERADO 25-3500**

ends of the frame, **(Figures 2 & 3)**. **OPTION:** To avoid disassembling the bumper and to remove the bumper with brackets as an assembly, on some model years, the end of the bed must be raised slightly to clear the inner tab on the brackets. Insert socket with long extension up and through the access hole in the bottom of the frame to remove the rear hex bolts, **(Figure 2)**. Once the bolts have been removed, raise the bed. Do not loosen or remove the front bed bolts **NOTE:** On long bed models with center bolts, remove the rear bolts and only loosen but do not remove the center bolts.

3. Move bumper to a clean, stable work area. Reattach the truck bed if hardware was previously loosened or removed.
4. Select the passenger/right Frame Mounting Bracket, **(Figure 4)**. Attach the Bracket to the (3) larger factory holes in the side and bottom of the frame with (3) 14mm x 45mm Hex Bolts, (6) 14mm Flat Washers, (3) 14mm Lock Washers and (3) 14mm Hex Nuts. Next, attach the Bracket to the forward mounting hole with the included 10mm x 50mm Hex Bolt, (2) 10mm Flat Washers, 10mm Lock Washer and 10mm Hex Nut, **(Figure 5 & 6)**. **NOTE:** Temporarily remove the spare tire for additional access to Bumper mounting hardware.
5. Repeat **Step 4** to install the driver/left Mounting Bracket, **(Figure 6)**.
6. Remove the wiring harness from the factory bumper. Attach the harness to the Premier Bumper.
7. Determine if vehicle is equipped with bumper mounted sensors. Sensors must be installed before installing Bumper Assembly.

Models without bumper sensors:

- a. Push the included Plastic Plugs into sensor mounting holes, **(Figure 7)**.

Models with bumper mounted sensors:

- a. Remove sensors from factory bumper, **(Figure 11)**.
 - b. Remove the factory sealing washer from the end of the sensor. Attach the provided larger Sealing Washer onto the front of the sensor, **(Figure 8)**.
 - c. Push the sensor into the sensor mount from the back of the Bumper until it is flush with or slightly protruding out from the outer Bumper surface. Attach the adhesive side of (1) Foam Spacer to end of sensor, **(Figure 9)**.
 - d. Push the Retaining Cap onto the sensor sleeve to secure the sensor in place, **(Figure 9)**.
 - e. Repeat the previous Steps for the remaining sensors.
 - f. Plug harness into sensors.
8. Determine correct procedure for vehicle model year for license plate light bracket installation.

2011-14 Models

- a. Remove the passenger/right license plate light from the factory bumper, **(Figure 10)**.
- b. Select the passenger/right Light Bracket, **(Figure 12)**. Attach the Bracket to the tabs on the back of the Bumper with the included (2) 6mm x 20mm Carriage Bolts, (2) 6mm Flat Washers and (2) 6mm Nylon Lock Nuts
- c. Snap the passenger/right License Plate Light into the hole in the Bracket.
- d. Repeat the previous Steps to install the driver/left License Plate, Light Bracket and light.
- e. Plug harness into lights.

2015-On models:

- a. Remove the passenger/right license plate light from the factory bumper, **(Figure 11)**.
 - b. Select the passenger/right Light Bracket. Attach the Bracket to the tabs on the back of the Bumper with the included (2) 6mm Carriage Bolts, (2) 6mm Flat Washers and (2) 6mm Nylon Lock Nuts, **(Figure 12)**.
 - c. Reuse the factory hardware to attach the passenger/right License Plate Light to the tabs on the back of the Bracket.
 - d. Repeat the previous Steps to attach the driver/left License Plate Light Bracket and light.
 - e. Plug harness into lights.
9. Select the correct mounting plate for your trailer harness plug, **(Figure 13)**. Attach the mounting plate to the back side of the Bumper with the included (4) 6mm x 20mm Button Head Bolts, (8) 6mm Flat Washers and (4) 6mm Nylon Lock Nuts. **NOTE,** Bracket can be installed on the front or back of the Bumper as desired. **IMPORTANT:** On 11-14 models, use the included (2) Self Tapping Screws to attach the trailer plug to the Bracket, **(Figure 13)**.

**BRP PREMIER REAR BUMPER
2011-19 CHEVY SILVERADO 25-3500**

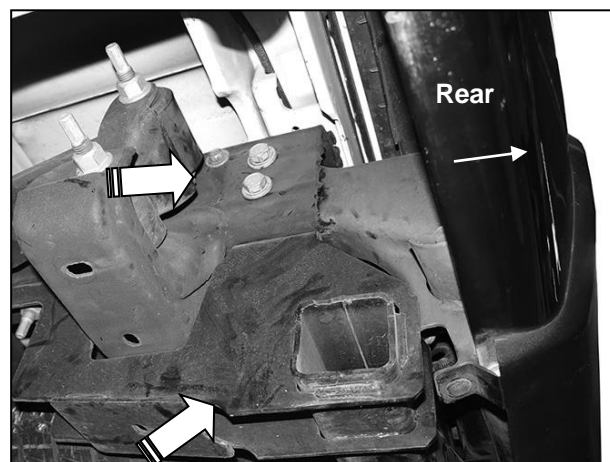
10. With assistance, position the Bumper Assembly up to the Mounting Brackets. Temporarily support the weight of the Bumper. **WARNING:** To avoid possible injury or damage to the vehicle, do not proceed until the Bumper is fully and safely supported.
11. Line up the Bumper with Brackets. Attach the Bumper to the Brackets with the included (4) 12mm x 40mm hex Bolts, (8) 12mm Flat Washers, (4) 12mm Lock Washers and (4) 12mm Hex Nuts, (**Figures 14 & 15**).
12. Check the bumper to see if it is level and if there is a gap between the top of the factory trailer hitch and the bottom of the mounting plate on the back of the bumper. Slowly open the tailgate and check for clearance between the tailgate and the Bumper.
13. Level and adjust the bumper and fully tighten all hardware.
14. Use the included (2) push-in Plastic Plugs to attach the rear license plate to the (2) holes in the Bumper, (**Figure 16**). Push Plugs into square holes in Bumper. Reuse factory hardware to attach license plate.
15. Plug the bumper wiring harness into the vehicle harness. Also plug the harness into the trailer plug.
16. Reinstall spare tire if previously removed.
17. Do periodic inspections to the installation to make sure that all hardware is secure and tight.

To protect your investment, Do not use any type of polish or wax that may contain abrasives that could damage the finish. Mild soap may be used to clean the Rear Bumper assembly.



(Fig 1) Factory bumper may be attached to top of tow hitch. Remove factory hex bolts as required.

WARNING! Before removing hardware, fully support the weight of the bumper with blocks or stands to prevent injury or damage to the vehicle.



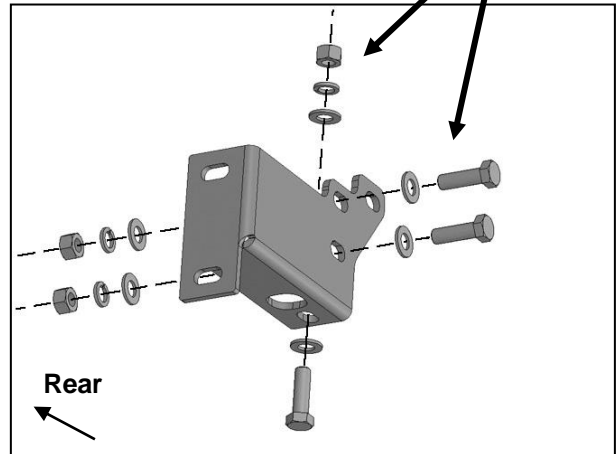
(Fig 2) Remove bumper bolts from side and bottom of frame (arrows) as required

**BRP PREMIER REAR BUMPER
2011-19 CHEVY SILVERADO 25-3500**

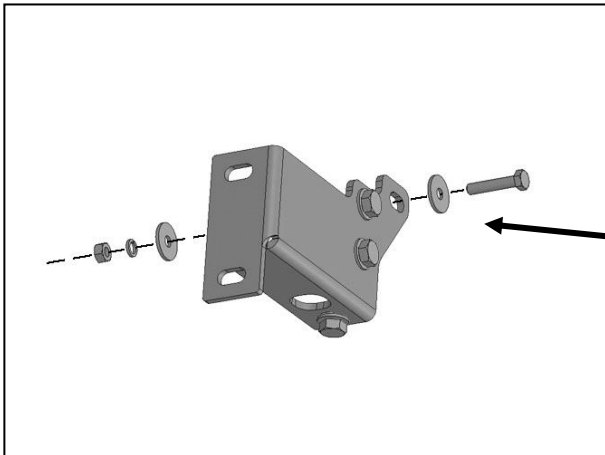


(Fig 3) Remove bumper and brackets

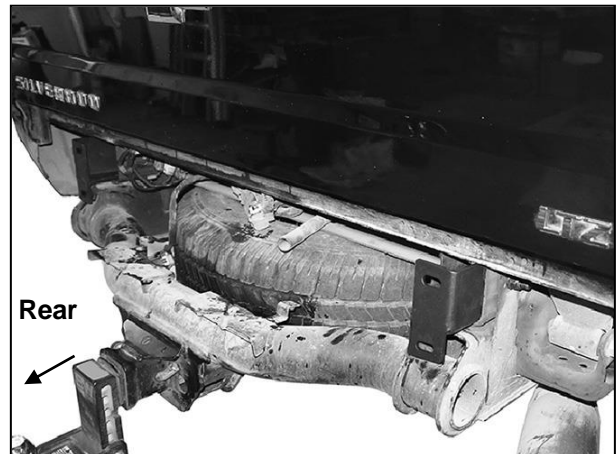
- (3) 14mm x 45mm Hex Bolts
- (6) 14mm Flat Washers
- (3) 14mm Lock Washers
- (3) 14mm Hex Nuts



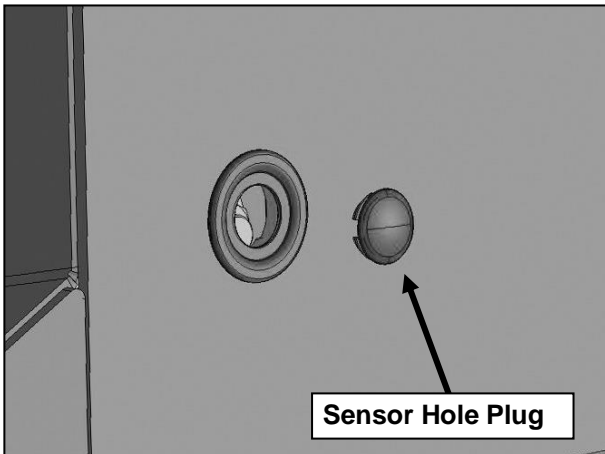
(Fig 4) Attach passenger side Frame Bracket to end of frame (also see Fig. 5)



(Fig 5) Attach passenger side Frame Bracket to end of frame (also see Fig. 4)

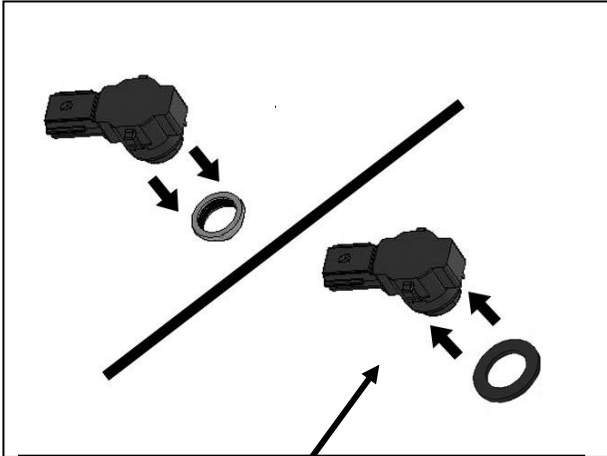


(Fig 6) Bumper Brackets installed. Temporarily remove spare tire for access to back of Bumper

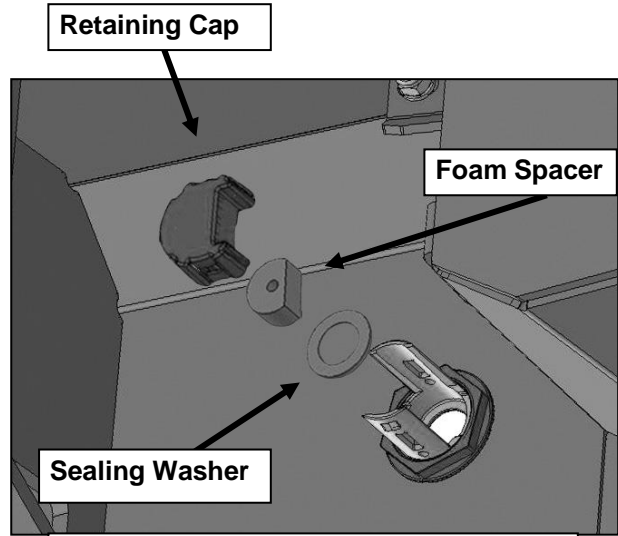


(Fig 7) Push sensor plug into mounting sleeve. Use of 4mm Screws is optional

**BRP PREMIER REAR BUMPER
2011-19 CHEVY SILVERADO 25-3500**



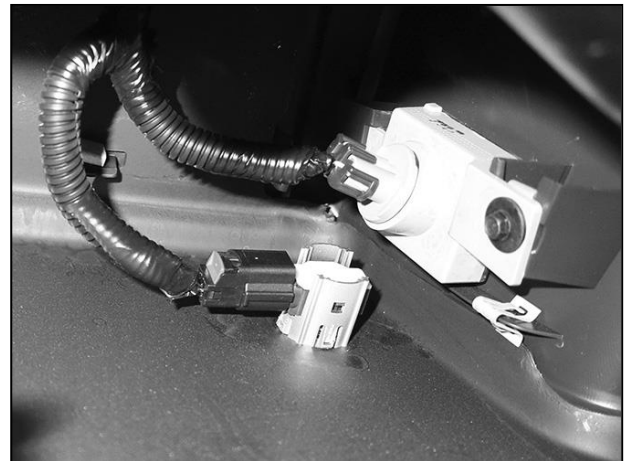
(Fig 8) Remove silicone seal from sensor. Slide large Seal over end of sensor (arrow)



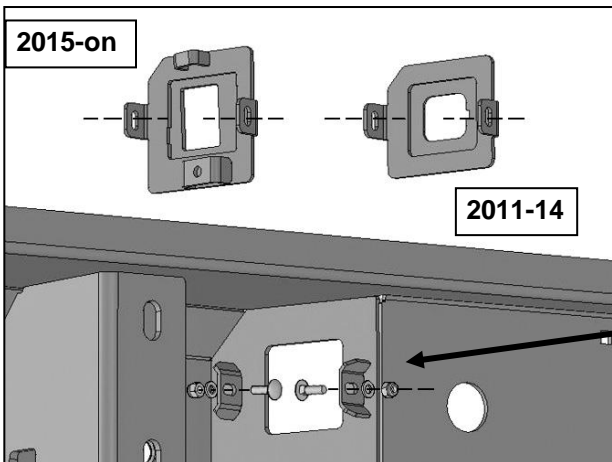
(Fig 9) Insert sensor assembly into the sensor sleeve on back of Bumper



(Fig 10) Remove license plate lights (2011-14 model pictured)



(Fig 11) Remove license plate lights (2015-On model pictured). Also remove wiring harness and sensors if equipped



- (2) 6mm x 20mm Carriage Bolts
- (2) 6mm Flat Washers
- (2) 6mm Nylon Lock Nuts

(Fig 12) Attach correct License Plate Light Brackets

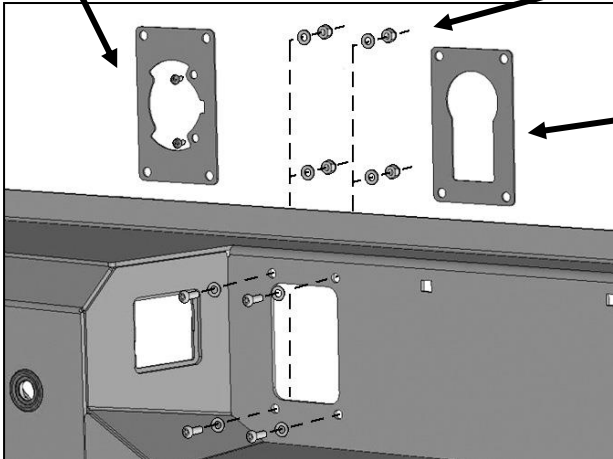
**BRP PREMIER REAR BUMPER
2011-19 CHEVY SILVERADO 25-3500**

**2011-14 Trailer
Plug Bracket and
(2) Screws**

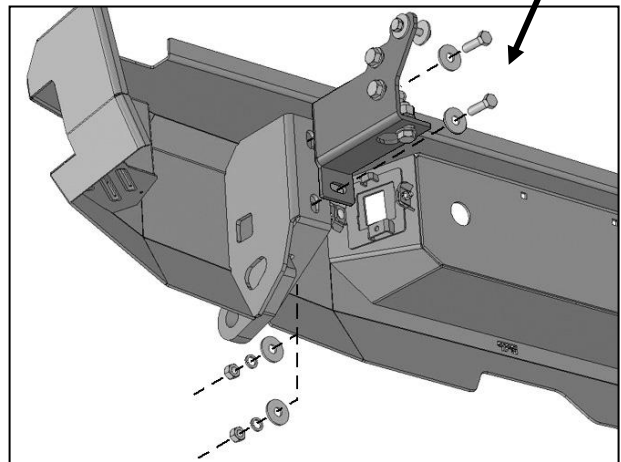
**(4) 6mm x 20mm Button
Head Bolts
(8) 6mm Flat Washers
(4) 6mm Nylon Lock Nuts**

**2015-on Trailer
Plug Bracket**

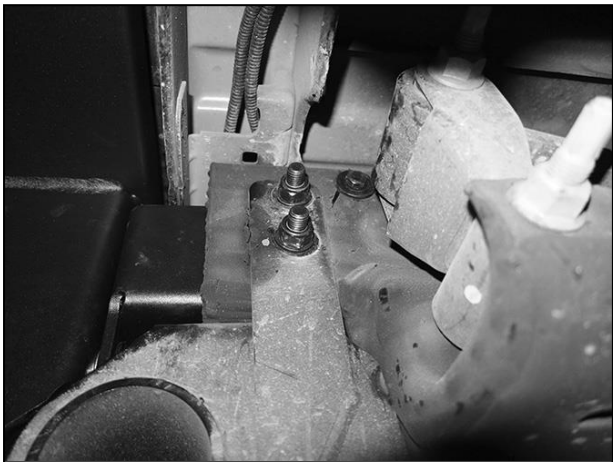
**(2) 12mm x 40mm Hex Bolts
(4) 12mm Flat Washers
(2) 12mm Lock Washers
(2) 12mm Hex Nuts**



(Fig 13) Attach correct trailer plug mounting bracket. NOTE: Bracket can be installed on the front or back of Premier Bumper

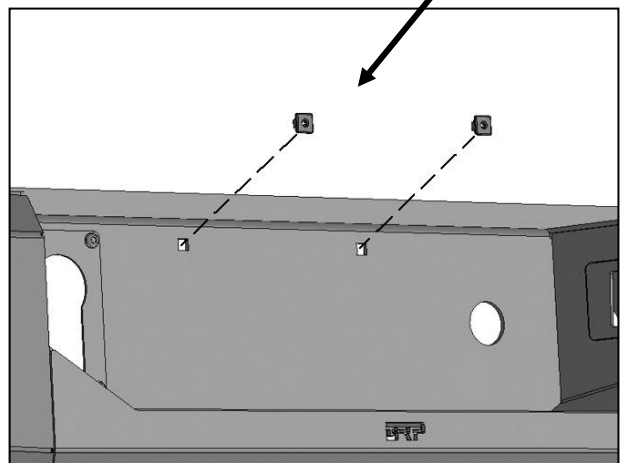


(Fig 14) Attach Bumper to Bumper Brackets



(Fig 15) Attach Bumper to Bumper Brackets. Installation pictured from below passenger/right side of vehicle

(2) Plastic Plugs



(Fig 16) Attach license plate to Plastic Plugs