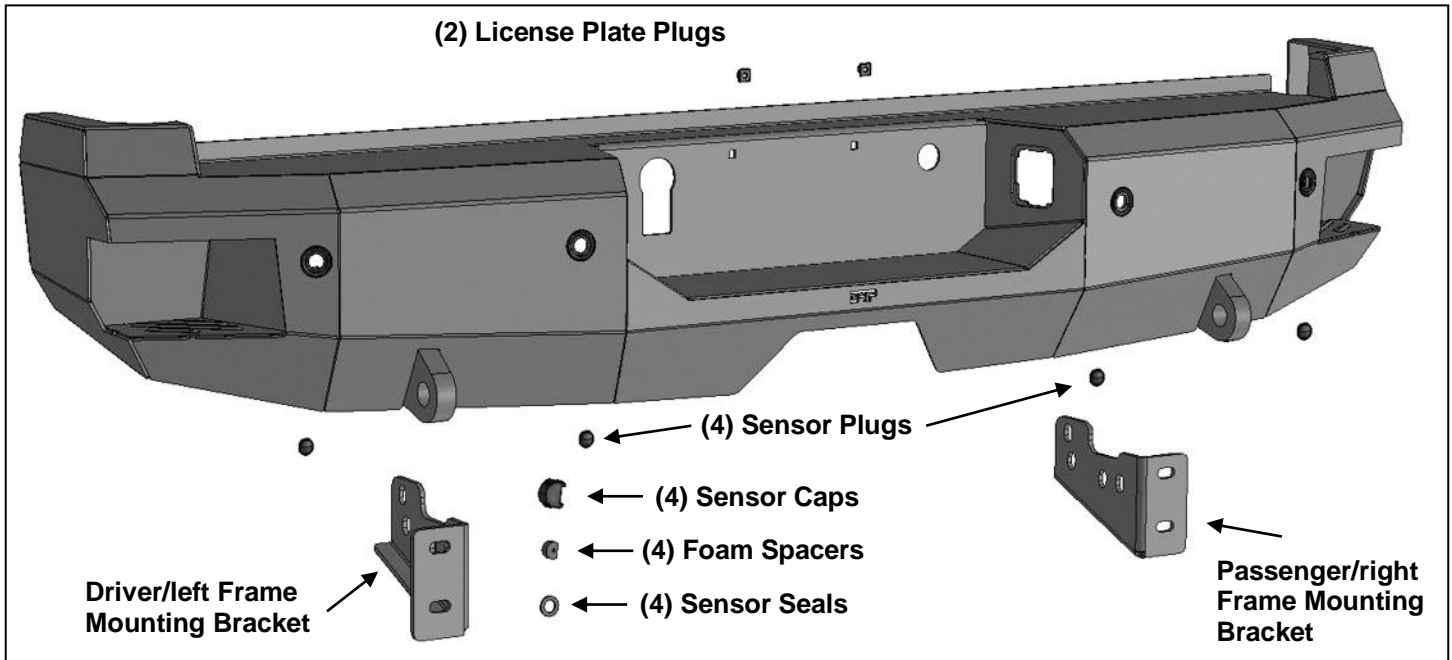


PARTS LIST:

1	Premier Rear Bumper Assembly	1	Sensor Cover Kit
1	Driver/left Frame Mounting Bracket	2	Plastic Plugs for license plate mount
1	Passenger/right Frame Bracket	4	12-1.75mm x 40mm Hex Bolts
4	Sensor Hole Plugs	8	12mm x 37mm x 3mm Flat Washers
4	Retaining Ring	4	12-1.75mm Hex Nylon Lock Nuts
4	Foam Spacer Washer 20mm x 10mm	8	4mm Self Tapping Screws
4	Sealing Washer		



PROCEDURE:

REMOVE CONTENTS FROM BOX. VERIFY ALL PARTS ARE PRESENT. READ INSTRUCTIONS CAREFULLY BEFORE STARTING INSTALLATION. BUMPER IS HEAVY, ASSISTANCE IS RECOMMENDED TO AVOID POSSIBLE INJURY OR DAMAGE TO THE VEHICLE.

1. Remove the license plate from the bumper, **(Figure 1)**. Unplug the wiring harness leading to the bumper and move harness away from bumper.
2. Place blocks or jack stands under the bumper to support it during mounting bolt removal. Once the bumper has been safely supported, remove the (2) factory bolts attaching the bottom of the bumper (step area) to the receiver hitch, **(Figure 1)**. Next, remove the hardware attaching the bumper to the bumper brackets and remove the bumper, **(Figures 2 & 3)**. **WARNING!** Assistance is required to hold the bumper in place during hardware removal to prevent bumper from falling.
3. Next, remove both bumper brackets from the end of the frame, **(Figures 3 & 4)**.
4. Select the passenger/right Frame Mounting Bracket, **(Figure 5)**. Reuse the factory bumper bracket hardware to attach the Bracket to the side of the outside of the frame, **(Figures 5 & 6)**. Repeat this Step to install the driver/left Bracket.
5. Disassemble the factory bumper as necessary to remove sensors, (if equipped), trailer plug, license plate lights and wiring harness from the bumper, **(Figure 7)**.
6. Determine if the vehicle is equipped with sensors.

Models without bumper sensors:

- a. Select the included (4) Sensor Hole Plugs, **(Figure 8)**. From the front, push the Plugs into the Sensor Mounts in the Bumper.

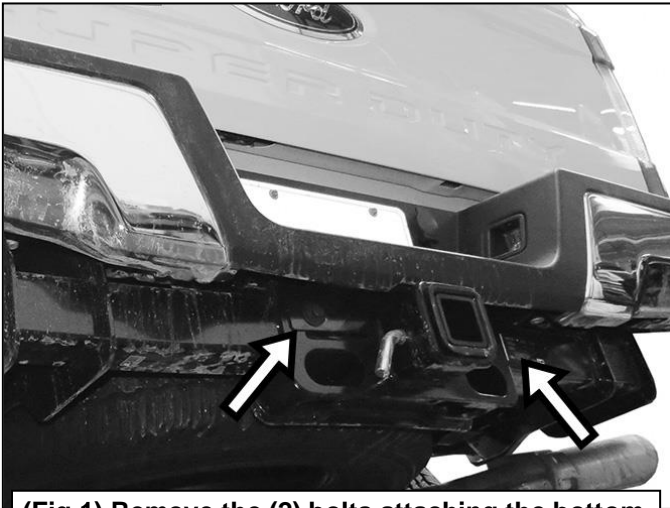
Models with bumper mounted sensors:

- a. Select (1) sensor. Test fit sensor in mounting sleeve. It may be necessary to cut or grind off the tabs on the sides of the sensor to fit into the sleeve.

**BRP PREMIER REAR BUMPER
2017-22 FORD F250-350**

- b. Remove the seal from the end of the sensor, **(Figure 9)**. Slide the included larger Sensor Seal over the front of the sensor.
- c. Insert the sensor with Seal into sensor mount, **(Figure 10)**.
- d. Place the thick Foam Spacer over the end of the sensor. Push Sensor Retaining Cap onto sensor mount and lock into mounting holes, **(Figure 10)**.
- e. Repeat previous Steps to install remaining sensors.
7. Install the license plate lights and trailer plug into the Bumper, **(Figure 11)**. **NOTE:** Use a flat blade screwdriver to carefully pry out the metal clips on the trailer plug to grab the edge of the opening if necessary.
8. Install wiring harness. Attach the wiring harness to the sensors, lights and trailer plug as equipped.
9. With assistance, hold the Bumper assembly up to the Brackets. Temporarily support the weight of the Bumper. **WARNING:** To avoid possible injury or damage to the vehicle, do not proceed until the bumper is fully and safely supported.
10. Attach the Bumper to the Brackets with the included (4) 12mm x 40mm Hex Bolts, (8) 12mm Flat Washers and (4) 12mm Nylon Lock Nuts, **(Figures 12 & 13)**. Snug but do not fully tighten at this time.
11. Level and adjust the bumper and slowly lower the tailgate and check for clearance. Adjust the bumper as required and fully tighten all hardware to 65-70ft-lbs.
12. Use the included (2) push-in plugs to attach the license plate to the Bumper, **(Figure 14)**.
13. Plug in the wiring harness on the Bumper to the main harness on the vehicle.
14. Do periodic inspections to the installation to make sure that all hardware is secure and tight.

To protect your investment, Do not use any type of polish or wax that may contain abrasives that could damage the finish. Mild soap may be used to clean the Bumper assembly.



(Fig 1) Remove the (2) bolts attaching the bottom of the step to the receiver hitch if equipped



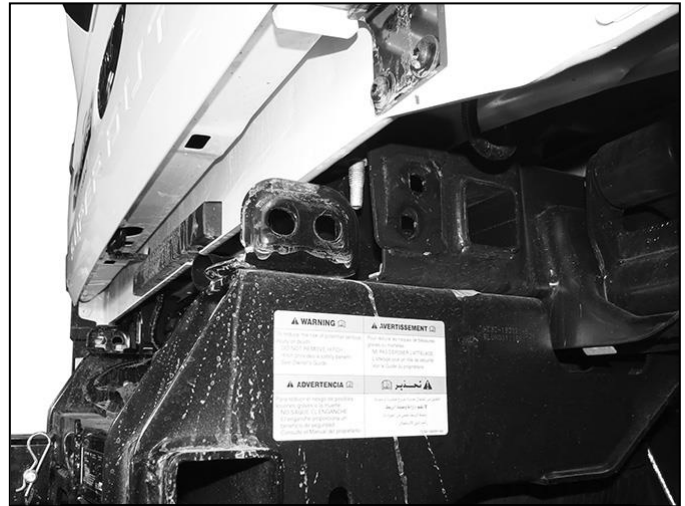
(Fig 2) Remove the factory hex nuts attaching the bumper to the brackets (arrow)

Passenger Side Installation Pictured



(Fig 3) Remove bumper bracket from frame

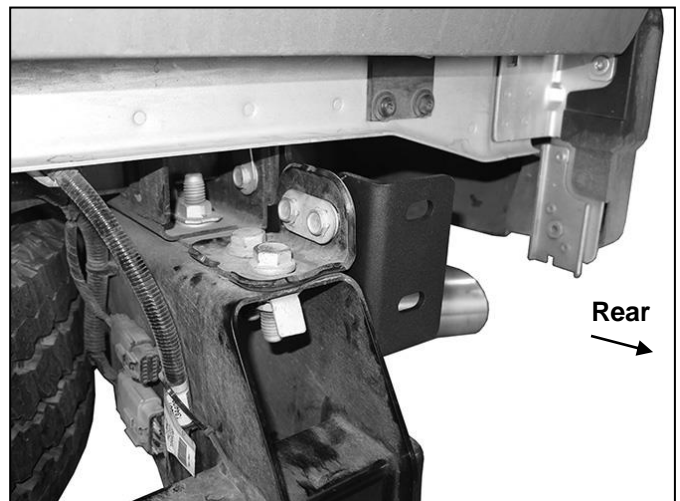
WARNING! Do not remove bumper bolts unless the bumper is properly supported on blocks or stands or it may fall.



(Fig 4) Remove bumper bracket from frame

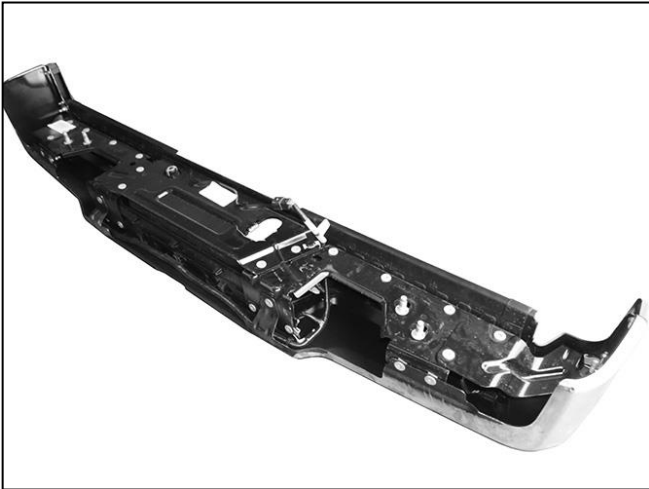


(Fig 5) Reuse factory hardware to attach the passenger/right Frame Mounting Bracket

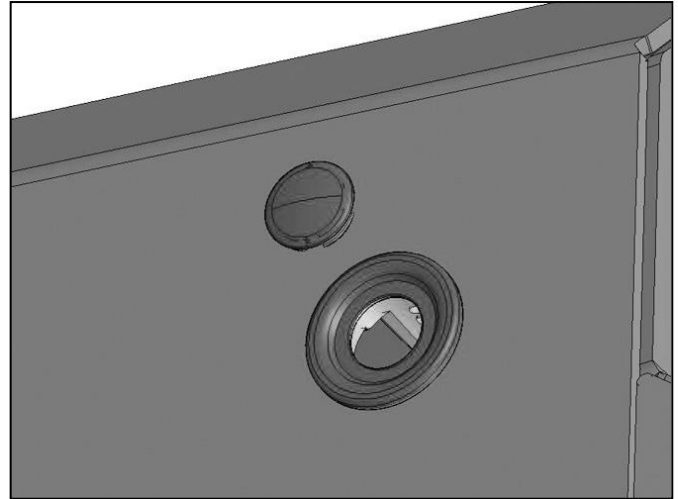


(Fig 6) Reuse factory hardware to attach the passenger/right Frame Mounting Bracket

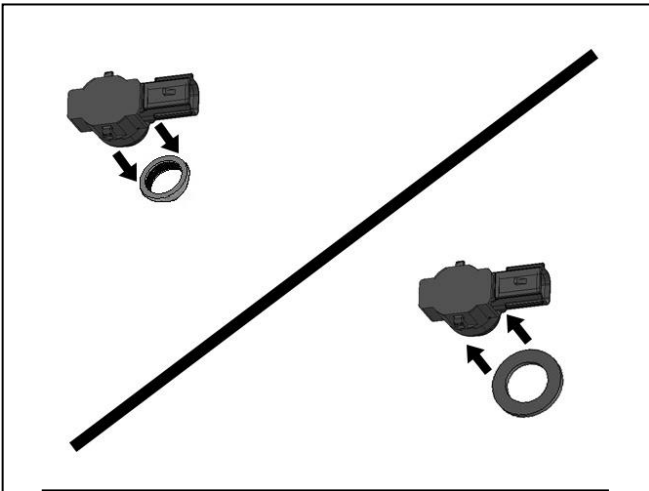
Passenger Side Installation Pictured



(Fig 7) Remove sensors, wire harness, license plate lights and trailer plug if equipped



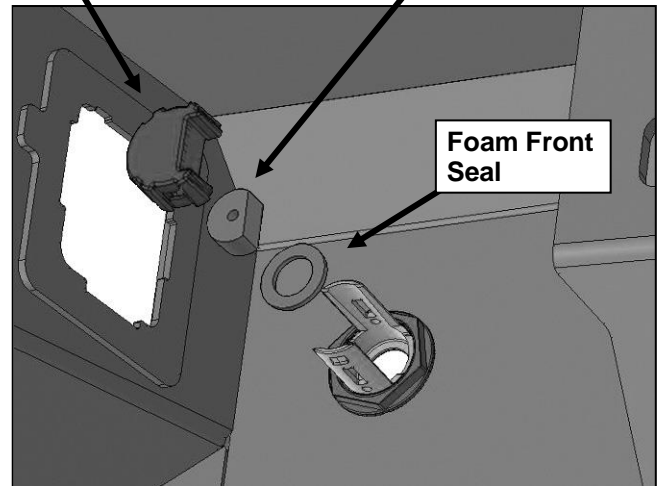
(Fig 8) Push sensor hole Plug into sensor mount



(Fig 9) Remove silicone seal from sensor. Slide large Seal over end of sensor (arrow)

Sensor Retaining Cap

Thick Foam Spacer



Foam Front Seal

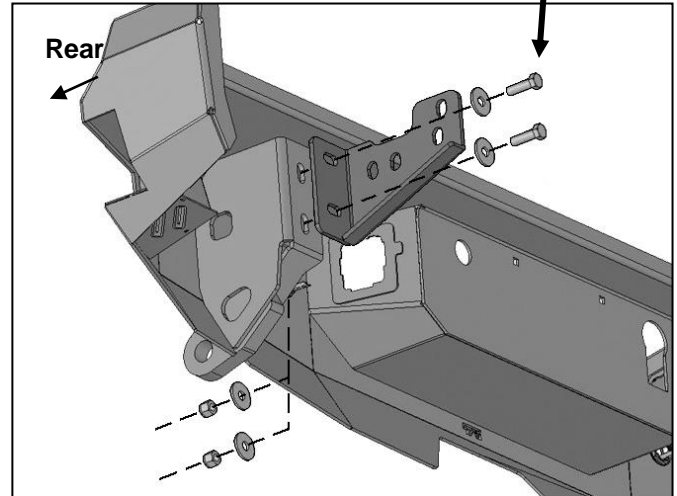
(Fig 10) Slide sensor into sleeve, insert Foam Spacer and Cap to lock sensor in sleeve

Passenger Side Installation Pictured



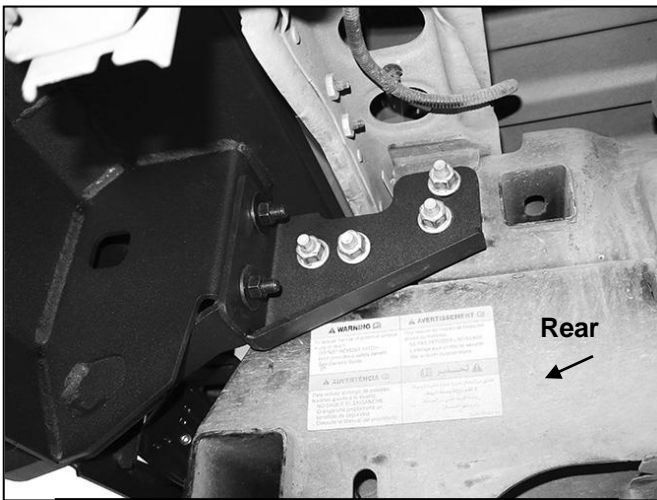
(Fig 11) Install wiring harness, trailer plug and license plate lights before installing Bumper

- (2) 12mm x 40mm Hex Bolts
- (4) 12mm Flat Washers
- (2) 12mm Nylon Lock Nuts

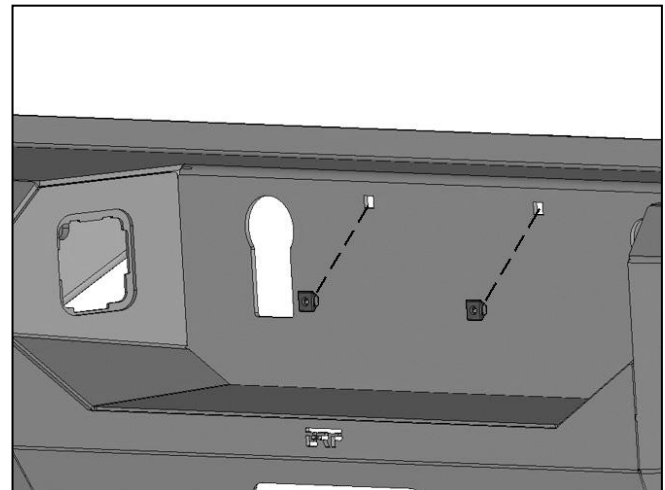


(Fig 12) Attach Bumper to Bumper Brackets (passenger/right side illustrated)

WARNING! Do not crawl under bumper unless it is properly supported on blocks or stands or the bumper may fall.



(Fig 13) Attach Bumper to Bumper Brackets (passenger/right side pictured)



(Fig 14) Push plugs into holes for license plate